

Electric Chain Saw YGL 2040

Art.-No.: **45.002.93**

Bar Code: 4006825530902

Sales unit: 2 pcs

The chainsaw excels in a high output and optimal work safety. In order to achieve the best possible balance between ergonomic design and weight the motor is mounted in a lengthwise direction. This arrangement of the motor gives the chainsaw a slim looking body, allowing work to be done even in narrow conditions.

The chain can be simply tightened without using any tools.

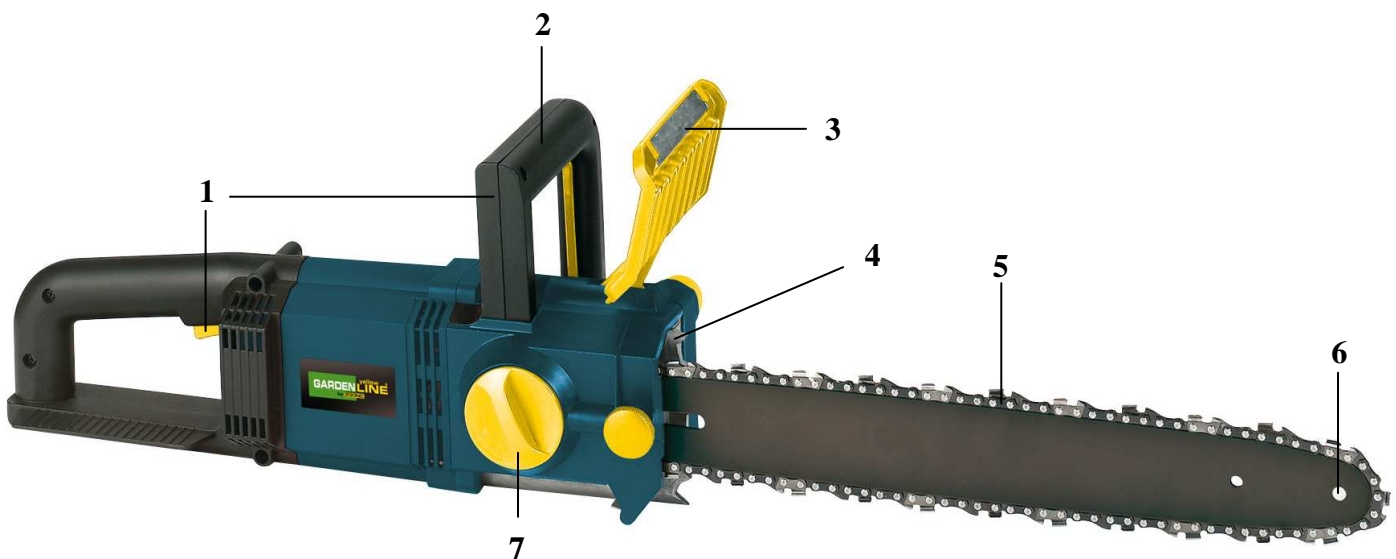
Due to its twin hand safety arrangement it gives the operator more safety than standard chainsaws in the market.

Features:

- Ergonomic, modern design
- Twin-hand safety operation (1)
- Lateral grip for horizontal cutting (2)
- Kick-back protection with mechanical quick-stop chain brake (3)
- Sturdy cast iron-stop claws (4)
- Safety chipping teeth-chromium chain (5)
- Chain bar with integrated guide sprocket (6)
- **Toolless chain tension** (7)
- Chain catch
- Overload clutch as overload protection
- Automatic chain lubrication
- Protection case for chain and bar

Technical data:

- Mains: 230 V ~ 50 Hz
- Power: 2000 watts
- Chain bar length: 40 cm
- Cutting speed: 22 m/s
- Weight: 5.9 kg
- Packing dimensions: 510 x 200 x 270 mm



As special accessory available:

- | | |
|-------------|---|
| Spare chain | Art.-No.: 45.003.11 bar code: 4006825450538 |
| Spare bar | Art.-No.: 45.003.43 bar code: 4006825529296 |



Abbildungen können nicht im Serien-Lieferumfang enthaltenes Zubehör darstellen / Illustrations can contain accessories, which are not included in standard extent of delivery.

Abbildungen ähnlich, produktionsbedingte Abweichung vorbehalten / Illustration similar (in design), production-wise modifications reserved

File: S:\shared-pool\Product-Dokumentation\T-Produktbeschreibung\30_n0t\Originale_Englisch_PA04\4500293_01016.doc

Erstelldatum / create date: 11.07.2006 09:05:00

Aktualisiert / up dated: 19.07.2006