



florabest



Petrol Grass Trimmer FBS 43 A1

GB IE

Petrol Grass Trimmer

Operation and Safety Notes
Original operating instructions

SE

Bensindriven röjsåg

Bruksanvisning och säkerhetsanvisningar
Original-bruksanvisning

FI

Bensiinikäyttöinen ruohotrimmeri

Käyttö- ja turvaohjeet
Alkuperäiskäyttöohje

DE AT CH

Benzin-Sense

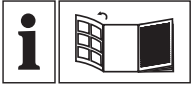
Bedienungs- und Sicherheitshinweise
Originalbetriebsanleitung

IAN 72317

GB IE

FI SE





GB IE

Before reading, unfold the page containing the illustrations and familiarise yourself with all functions of the device.

FI

Käännä ennen lukemista kuvallinen sivu esiin ja tutustu seuraavaksi laitteen kaikkiin toimintoihin.

SE

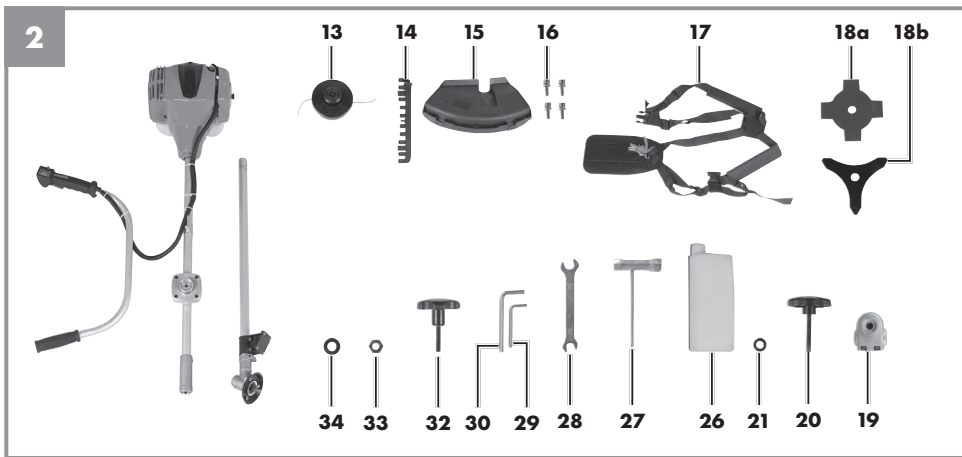
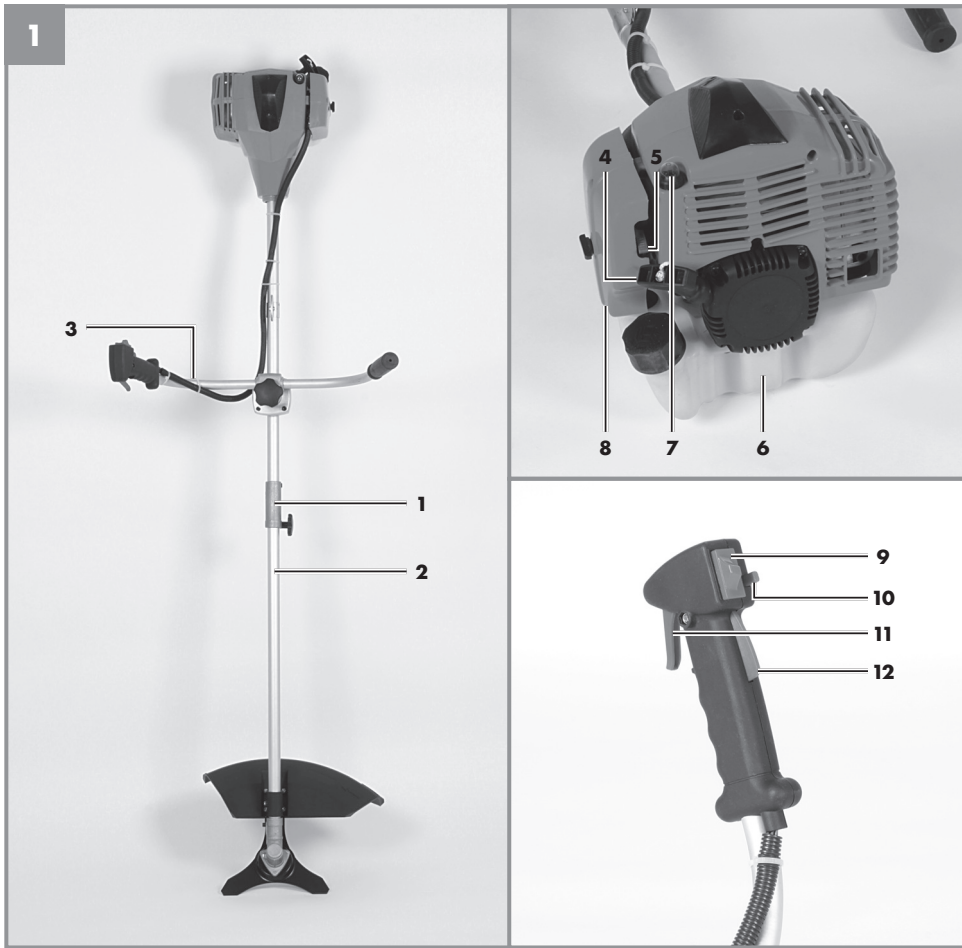
Vik ut bildsidan och ha den till hands när du läser igenom anvisningarna och gör dig bekant med apparatens / maskinens funktioner.

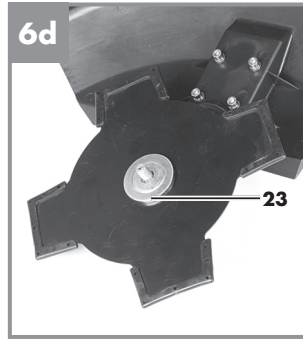
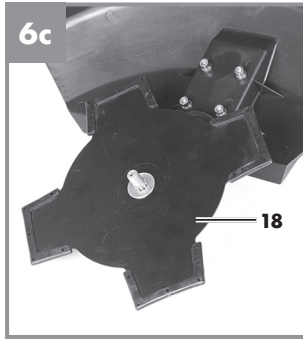
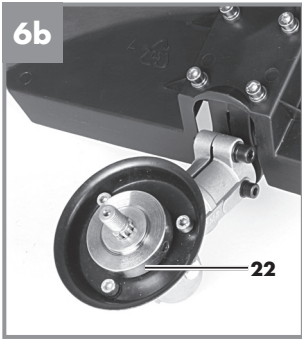
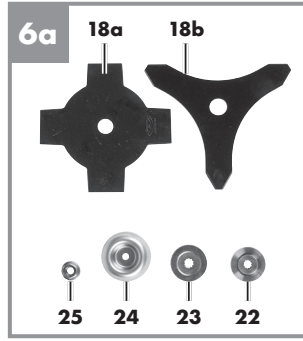
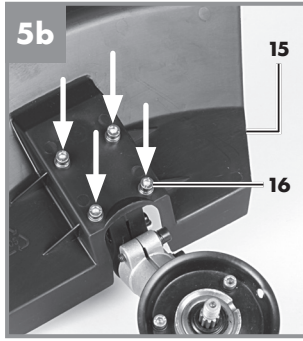
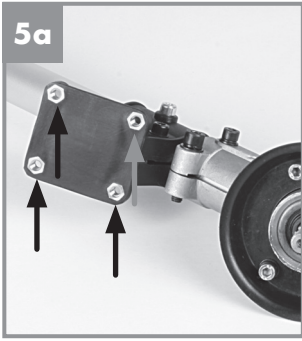
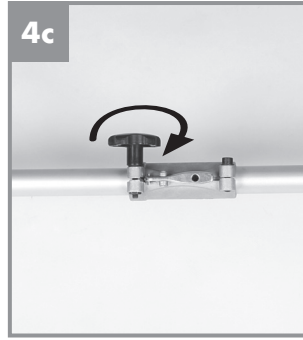
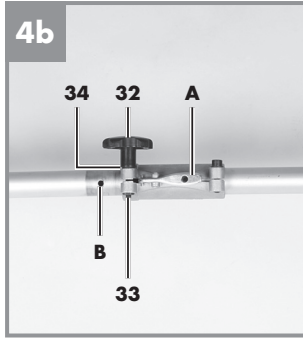
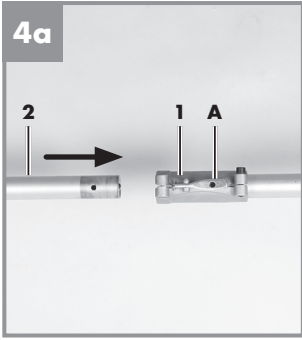
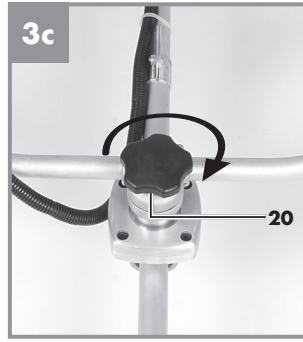
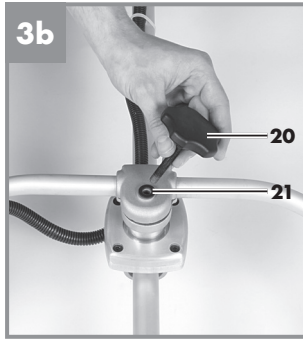
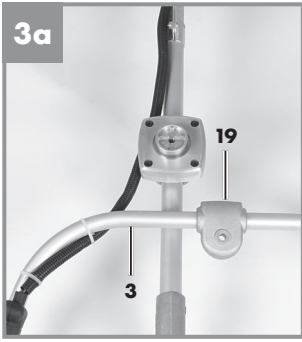
DE AT CH

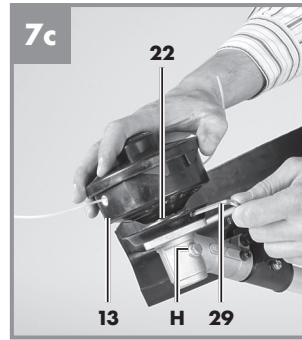
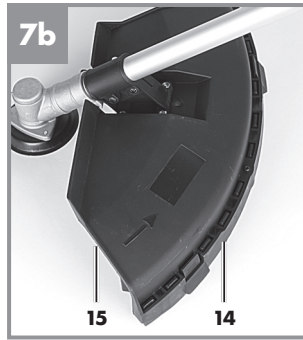
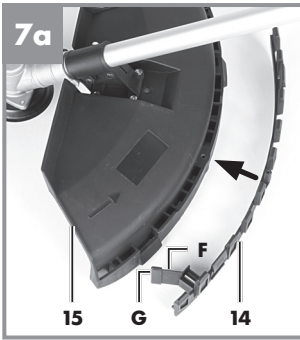
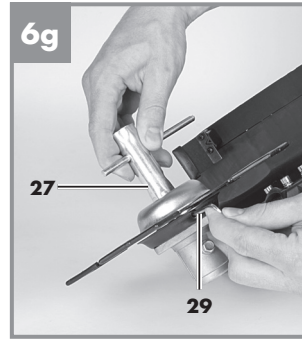
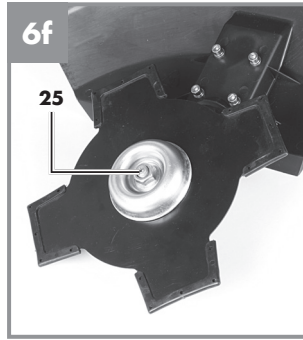
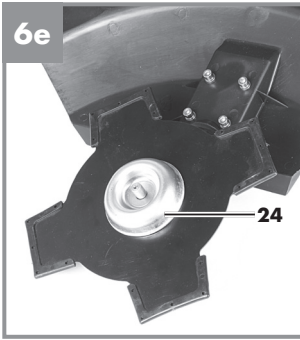
Klappen Sie vor dem Lesen die Seite mit den Abbildungen aus und machen Sie sich anschließend mit allen Funktionen des Gerätes vertraut.

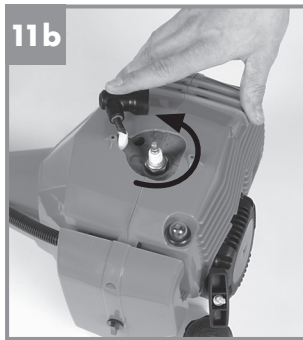
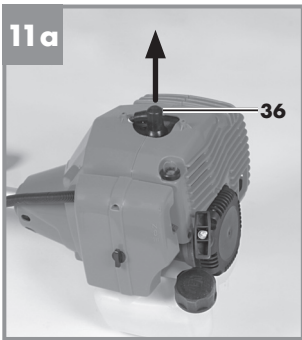
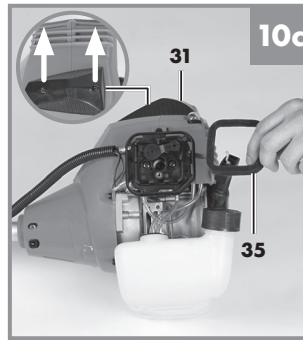
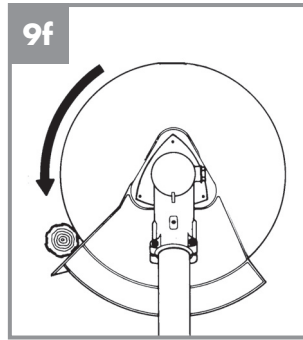
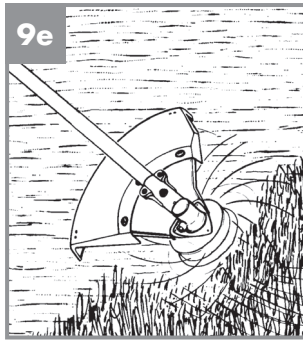
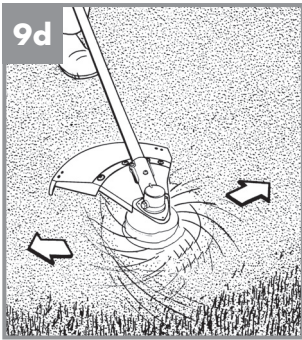
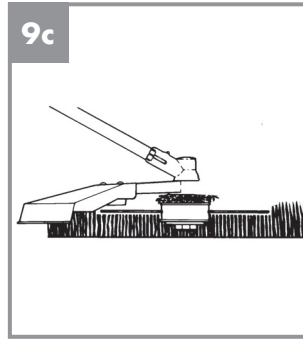
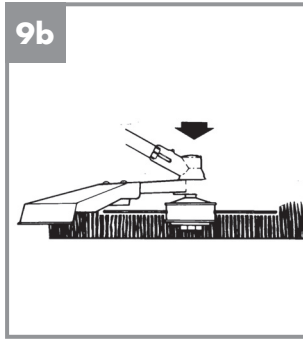
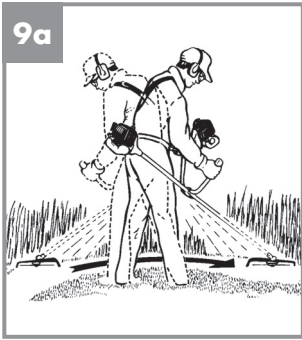
GB/IE	Operation and Safety Notes	Page	8
FI	Käyttö- ja turvaohjeet	Sivu	23
SE	Bruksanvisning och säkerhetsanvisningar	Sidan	39
DE/AT/CH	Bedienungs- und Sicherheitshinweise	Seite	54





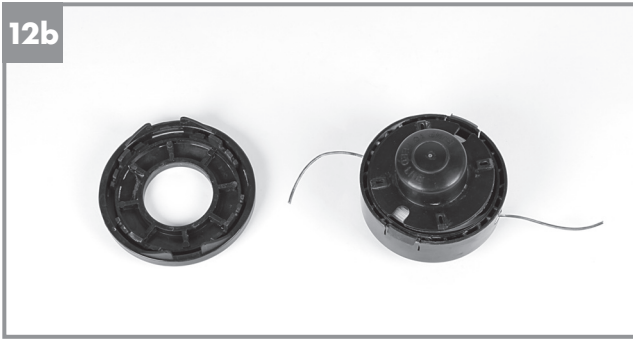








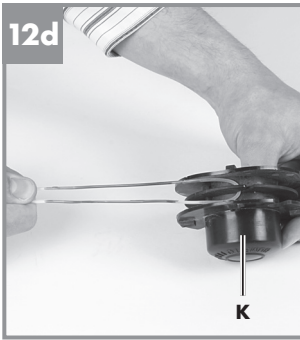
12b



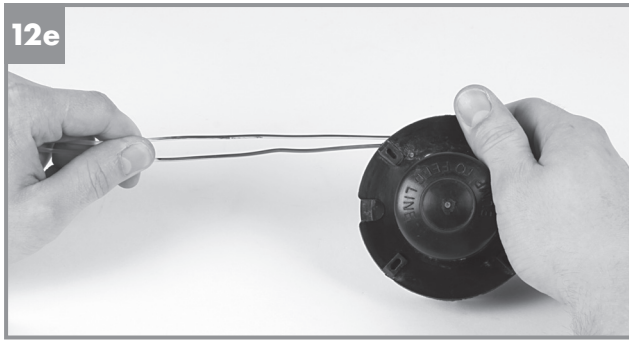
12c



12d



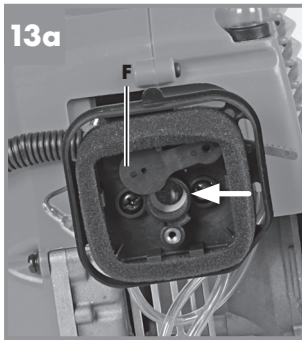
12e



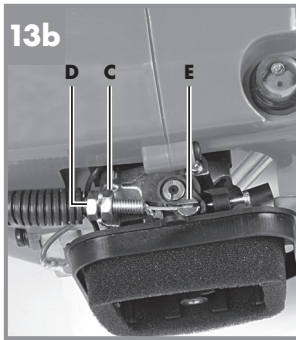
12f



13a



13b



14





Table of contents

1. Introduction.....	9
2. Safety regulations	9
3. Layout and items supplied.....	12
4. Intended use.....	12
5. Technical data.....	13
6. Before starting the equipment	13
7. Operation	15
8. Maintenance and ordering of spare parts.....	17
9. Storage and transport	19
10. Cleaning.....	19
11. Disposal and recycling.....	19
12. Troubleshooting.....	20
13. Declaration of conformity.....	21
14. Warranty certificate.....	22



The reprinting or reproduction by any other means, in whole or in part, of documentation and papers accompanying products is permitted only with the express consent of the iSC GmbH.

Subject to technical changes





1. Introduction

Congratulations on your new purchase. You have decided in favor of a high-quality product. The operating instructions are a part of this product. They contain information of importance for your safety, for the use of the product and for its disposal. Before you use the product, acquaint yourself with all the information concerning its operation and safety. Use the product only as described and only for the listed areas of application. If you hand on the product to other people, give them all the documentation as well.

2. Safety regulations

Caution!

Read all safety regulations and instructions.

Any errors made in following the safety regulations and instructions may result in an electric shock, fire and/or serious injury.

Keep all safety regulations and instructions in a safe place for future use.

Safety devices

When working with the equipment, the appropriate plastic guard hood for cutting blade mode or cutting line mode must be fitted to prevent objects being thrown out by the equipment. The integrated blade in the cutting line guard hood automatically cuts the line to the optimum length.

Explanation of the information signs on the equipment (Fig. 14):

1. Warning!
2. Read the instructions before using for the first time!
3. Wear protective headgear, goggles and ear muffs!
4. Wear sturdy, non-slip footwear!
5. Wear safety gloves!
6. Protect the equipment from rain and damp!
7. Be careful of objects being catapulted away!
8. Always switch off the equipment and pull out the spark boot plug before carrying out any maintenance work!

9. The distance between the equipment and persons in the vicinity must be at least 15 m!
10. The cutting tool (blade/cutting line) continues to rotate after the machine is switched off!
11. Caution: Hot equipment parts. Keep your distance!
12. Add a little grease (gear grease) after every 20 hours in operation!

Safety information

- Read the operating instructions carefully. Familiarize yourself with the settings and with the proper use of the equipment.
- Never allow other persons who are not familiar with the operating instructions to use the equipment. Contact your local governmental agency for information regarding minimum age requirements for the user.
- Never mow in the direct vicinity of persons - especially children - or animals.

Warning!

Maintain a safety distance of 15m. If approached, switch off the equipment immediately. Always keep in mind that the user of the equipment is responsible for accidents involving other persons or their property.

- Important: Danger of poisoning. Emissions, fuels and lubricants are toxic. Do not inhale emissions.

Before using

- Always wear sturdy, non-slip footwear and long trousers when mowing. Never mow barefoot or in sandals.
- Check the ground on which the equipment will be used and remove all objects that could be caught up and catapulted away.
- Warning! Petrol is highly flammable! Therefore:
 - Only store petrol in containers designed to hold petroleum-based liquids.
 - Only refuel out in the open and do not smoke during the refuelling process.
 - Always refuel before starting the engine. Do not open the fuel tank cap and do not refuel while the engine is running or when the equipment is hot.



- If petrol has overflowed, do not under any circumstances attempt to start the engine. Instead, remove the equipment from the affected area. Avoid starting the engine until the petrol fumes have completely evaporated.

- For safety reasons, the petrol tank and the tank cap must be replaced if they are damaged.

- Replace defective silencers.
- Before using the scythe, visually inspect it to ensure that the blade, mounting bolts and the entire cutting apparatus are in good working order (i.e. not worn out or damaged). To prevent any imbalance, replace worn out or damaged blades and mounting bolts as a set only (if applicable).

Handling (operation, storage, monitoring)

- Wear close-fitting work clothing which is in good condition and which offers protection, such as long trousers, sturdy work shoes, hard-wearing gloves, a helmet, a face mask or goggles to protect your eyes, and good quality cotton wool in your ears or some other ear protectors to reduce the noise.
- Store the equipment in a safe place. Open the petrol tank cap slowly to release any pressure that may have formed in the petrol tank. To prevent the risk of fire, move at least 3 meters from the refueling area before you start the equipment.
- Switch off the equipment before you put it down.
- Always hold the equipment firmly in both hands. Your fingers and thumbs should be wrapped around the handles.
- Ensure that all screws and connecting elements are secure. Never use the equipment if it has not been properly adjusted or has not been fully or safely assembled.
- Make sure that the handles are clean and dry and that there is no petrol mixture on them.
- Set the line spool to the required height. Avoid touching small objects such as stones with the line spool.
- When carrying out mowing work on a slope always stand at a lower level than the cutting tool. Never cut or trim on a smooth, slippery hill or slope.
- Keep all parts of your body and items of clothing away from the line spool when you start the engine and when the engine is running. Before you start the engine ensure that the line spool will not strike an obstacle.
- Always switch off the engine before working on the cutting tool.
- Store the equipment and accessories in a safe place protected from naked flames and heat/spark sources such as gas geyser heaters, tumble driers, oil stoves or portable radiators, etc.
- Keep the guard hood, line spool and engine clear of mowing debris at all times.
- Only adequately trained people and adults may use, adjust and maintain the equipment.
- If you are not familiar with the equipment, practice handling it with the engine off.
- Always check the site you want to mow before you begin your work. Solid objects such as pieces of metal, bottles, stones, etc. can be catapulted away and cause serious injuries and permanent damage to the equipment. If you touch a solid object with the equipment by mistake, switch off the engine immediately and check the equipment for signs of damage. Never use the equipment if it is damaged or defective.
- Always operate the equipment in its high speed range for trimming and cutting. Do not let the engine run at low speed at the start of mowing or during trimming work.
- Only use the equipment for the purpose for which it is intended, such as trimming and mowing weeds.
- Never hold the line spool above knee height when the equipment is in operation.
- Do not use the equipment if other people or animals are in the immediate vicinity. Keep a minimum distance of 15 m between yourself and other people or animals when mowing. Keep a distance of 30 m if you are mowing down to the ground.



Additional instructions

- Do not use any fuel other than that recommended in the operating instructions. Always follow the instructions in the section „Fuel and oil“. Do not use petrol that has not been mixed correctly with 2-stroke oil. Otherwise there is a risk of causing permanent damage to the engine and of voiding the manufacturer's guarantee.
- Do not smoke while refueling or using the equipment.
- Never use the equipment without the exhaust pipe.
- Do not touch the exhaust pipe with your hands or body. Hold the equipment so that your fingers and thumbs are wrapped around the handle.
- Do not use the equipment in an uncomfortable posture, off balance, with extended arms or with only one hand. Always use both hands on the equipment and wrap your fingers and thumbs around the handles.
- Always keep the line spool on the ground whilst the equipment is in operation.
- Use the equipment only for the purpose for which it is intended, such as trimming and mowing weeds.
- Do not use the equipment over a lengthy period of time - take regular breaks.
- Do not use the equipment when under the influence of alcohol or drugs.
- Use the equipment only when the guard hood is fitted and in good working order.
- Any modifications to the product may place your personal safety at risk and cause the manufacturer's warranty to be voided.
- Never use the equipment near inflammable liquids or gases, neither in enclosed rooms nor outdoors. This may cause explosions and/or fire.

- Do not use any other cutting tools. For your own safety you must use only the accessories and attachments which are listed in the operating instructions or which are recommended or specified by the manufacturer. The use of cutting tools or accessories other than those recommended in the operating instructions or catalog may place your personal safety at risk.

Safety precautions for handling the blade

- Take note of all warnings and instructions relating to operating and fitting the blade.
- The blade can recoil suddenly from objects if it cannot cut or mow through them.
- This can cause injuries to the arms or legs. Keep bystanders and animals at least 15 m away from where you are working. If the equipment strikes a foreign body, stop the engine immediately and wait for the blade to come to a standstill. Check the blade for signs of damage. Always replace the blade if it is bent or cracked.
- The blade is liable to catapult away objects with high force. This can cause blindness or injuries. Wear protection on your eyes, face and legs. Always remove objects from your working area before you use the blade.
- Carefully check the equipment and its fittings for signs of damage every time before use. Do not use the equipment unless all the blade fittings are installed correctly.
- When you release the throttle lever, the blade will continue to rotate and will only gradually come to a standstill. A blade which is in the process of rotating to a standstill can cause you or bystanders injuries through cutting. Before you start any work on the blade, switch off the engine and ensure that the blade has come to a standstill.
- The danger zone has a radius of 15 meters. Bystanders may suffer blindness or injuries. Keep a distance of 15 meters between yourself and other people or animals.



3. Layout and items supplied

3.1 Layout (Fig. 1-13)

1. Connecting piece for long handle
2. Long handle
3. Steady grip
4. Starter line / starter cable
5. Choke lever
6. Petrol tank
7. Fuel pump „primer“
8. Air filter housing cover
9. On/Off switch
10. Throttle lever lock
11. Throttle lever
12. Throttle lock
13. Line spool with cutting line
14. Cutting line guard hood
15. Cutting blade guard hood
16. Screw M5 (4x)
17. Carrying strap
- 18a. Cutting blade (4 teeth)
- 18b. Cutting blade (3 teeth)
19. Holder for steady grip
20. Handle screw M8
21. Washer Ø 8mm
22. Carrier plate
23. Pressure plate
24. Pressure plate cover
25. Nut M10 (left-hand thread)
26. Oil/petrol mixing bottle
27. Spark plug wrench
28. Open-ended wrench 8/10 mm
29. Hex wrench 4 mm
30. Hex wrench 5 mm
31. Protective cap for spark boot plug
32. Handle screw M6
33. Nut M6
34. Washer Ø 6mm
35. Air filter
36. Spark boot plug

The cutting blade (18a/18b) and the line spool (13) are jointly referred to in the text as the cutting tool (generic term).

3.2 Items supplied

- Open the packaging and take out the equipment with care.
- Remove the packaging material and any packaging and/or transportation braces (if available).
- Check to see if all items are supplied.
- Inspect the equipment and accessories for transport damage.
- If possible, please keep the packaging until the end of the guarantee period.

Important!

The equipment and packaging material are not toys. Do not let children play with plastic bags, foils or small parts. There is a danger of swallowing or suffocating!

4. Intended use

The equipment (cutting blade mode) is designed for cutting high grass and sparse scrub with the 4-tooth blade and for cutting dense scrub and slender wood growth with the 3-tooth blade.

The equipment (line spool mode) is designed for cutting lawns and small weeds. The operating instructions as supplied by the manufacturer must be obeyed to ensure that the equipment is used properly.

Any use which is not expressly permitted in these instructions may result in damage to the equipment and place the user in serious danger. Be sure to observe the restrictions in the safety information.

Please note that our equipment has not been designed for use in commercial, trade or industrial applications. Our warranty will be voided if the equipment is used in commercial, trade or industrial businesses or for equivalent purposes.

Caution! Due to the high risk of physical injury to the user, the equipment must not be used to carry out the following work: to clean dirt and debris off walkways, or to chop up tree or hedge clippings. Similarly, the equipment must not be used to level out high areas such as molehills. For safety rea-

sons, the equipment is not allowed to be used as a drive unit for other tools of any kind.

The equipment is allowed to be used only for its intended purpose. Any other use is deemed to be a case of misuse. The user/operator and not the manufacturer will be liable for any damage or injuries of any kind resulting from such misuse.

5. Technical data

Engine type 2-stroke engine, air-cooled, chrome cylinder
Engine power (max.)	1.35 kW/ 1.8 hp
Displacement	42.7 ccm
Idle engine speed	3000 min ⁻¹
Max. engine speed	
with blade:	9000 min ⁻¹
with line spool:	8400 min ⁻¹
Max. cutting speed	
with blade:	6800 min ⁻¹
with line spool:	6300 min ⁻¹
Ignition	Electronic
Drive	Centrifugal clutch
Weight (with empty tank)	7.5 kg
Cutting circle diameter of line	41 cm
Cutting circle diameter of blade	23 cm
Cutting line length	8.0 m
Cutting line diameter	2.0 mm
Tank capacity	0.8 l
Spark plug	Champion RCJ6Y
Fuel consumption at	
max. engine power	0.6 kg/h
Specific fuel consumption	
at max. engine power	446 g/kWh

Sound and vibration

L _{pA} sound pressure level	98 dB(A)
K _{pA} uncertainty	1.5 dB
L _{WA} sound power level	110 dB(A)
K _{WA} uncertainty	1.5 dB

Wear ear-muffs.

The impact of noise can cause damage to hearing.

Operation

Vibration emission value $a_h = 4.1 \text{ m/s}^2$
K uncertainty = 1.5 m/s^2

Keep the noise emissions and vibrations to a minimum.

- Only use appliances which are in perfect working order.
- Service and clean the appliance regularly.
- Adapt your working style to suit the appliance.
- Do not overload the appliance.
- Have the appliance serviced whenever necessary.
- Switch the appliance off when it is not in use.
- Wear protective gloves.

6. Before starting the equipment

6.1 Assembly

6.1.1 Fitting the steady grip (Fig. 3a-3c)

Fit the steady grip (3) as shown in Figures 3a-3c. Do not tighten the screw (20) until you have set the optimum working position with the carrying strap (17) (see also section 6.2). The steady grip should be aligned as shown in Figure 1. To dismantle, proceed in reverse order.

6.1.2 Fitting the long handle (Fig. 4a-4c)

Pass the handle screw (32) through the washer (34) and into the connecting piece of the long handle (1). Secure the handle screw loosely with the nut (33). Now press the locking lever (A) and push the long handle (Fig. 4a/Item 2) carefully into the connecting piece for the long handle. While doing so, ensure that the drive shafts on the inside of the long handle slide into each other (turn the line spool (13) / cutting blade (18a/18b) gently if required). The lug of the locking lever (A) must latch into the hole (B). Now



tighten the handle screw as shown in Figure 4c. To dismantle, simply slacken the handle screw and actuate the locking lever.

6.1.3 Fitting the blade guard hood

Important: The cutting blade guard hood (15) must be fitted when you want to work with the cutting blade.

The guard hood for the cutting blade must be installed as shown in Figures 5a – 5b.

6.1.4 Fitting/Replacing the cutting blade

The procedure for fitting the cutting blade (18a/18b) is shown in Figures 6a-6g. To dismantle, proceed in reverse order.

- Fit the carrier plate (22) onto the spline shaft as shown in Figure 6b.
- Secure the cutting blade (18a/18b) on the carrier plate (Fig. 6c).
- Place the pressure plate (23) over the thread of the spline shaft (Fig. 6d).
- Plug on the cover of the pressure plate (24) (Fig. 6e).
- Look for the hole in the carrier plate, line up with the notch underneath, lock with the supplied hex wrench (29), and then tighten the nut (25) with the spark plug wrench (27) (Fig. 6f/6g). **Important:** Left-hand thread
- The cutting blades (18a/18b) are delivered with plastic protective caps fitted to them. Remove these caps before use and refit them after use.

6.1.5 Fitting the cutting line guard hood on the cutting blade guard hood

Important: The cutting line guard hood (14) must be fitted in addition when you want to work with the cutting line.

The guard hood for the cutting line must be installed as shown in Figures 7a – 7b. Make sure that the cutting line guard hood engages correctly. A blade (Fig. 7a/ Item F) on the underside of the guard hood automatically cuts the cutting line to the optimum length. It is covered by a guard (Fig. 7a/Item G).

Remove the guard before you start working and replace it when you have finished working.

6.1.6 Fitting/Replacing the line spool

The procedure for fitting the line spool (13) is shown in Figure 7c. To dismantle, proceed in reverse order. The line spool is already fitted when the equipment is delivered.

Look for the hole in the carrier plate (22), line up with the notch beneath it, lock with the supplied hex wrench (29), and screw the line spool onto the thread.

Important: Left-hand thread

6.2 Setting the cutting height

- Fit the carrying strap (17) as shown in Figures 8a-8c.
- Hook the equipment to the carrying belt (Fig. 8d).
- Adjust to the perfect working and cutting position using the various strap adjusters on the carrying strap (Fig. 8e).
- To confirm the optimum length of the carrying strap, make a few swinging movements with the engine off (Fig. 9a).

The carrying strap is fitted with a quick-release mechanism. Pull the red strap section (Fig. 8f) if you need to remove the strap quickly.

Important: Always use the strap when working with the equipment. Attach the strap as soon as you have started the engine and it is running in idle mode. Switch off the engine before you take off the carrying strap.

6.3 Fuel and oil

Recommended fuels

Use only a mixture of unleaded petrol and special 2-stroke engine oil.

Mix the fuel mixture as indicated in the fuel mixing table.

Important: Do not use a fuel mixture which has been stored for longer than 90 days.

Important: Never use 2-stroke oil with a recommended mixing ratio of 100:1. The manufacturer's warranty will be voided in case of engine damage due to inadequate lubrication.

Important: Only use containers designed and approved for the purpose to transport and store

fuel. Pour the correct quantities of petrol and 2-stroke oil into the mixing bottle (see scale printed on the bottle). Then shake the bottle well.

6.4 Fuel mixing table

Mixing procedure: 40 parts petrol to 1 part oil

Petrol	2-stroke oil
1 liter	25 ml
5 liters	125 ml

7. Operation

Please note that the statutory regulations governing noise abatement may differ from one location to another.

Each time before use, check the following :

- That there are no leaks in the fuel system.
- That the equipment is in perfect condition and that the safety devices and cutting devices are complete.
- That all screws are securely fastened.
- That all moving parts move smoothly.

7.1 Starting the engine when cold

Fill the tank with the oil/petrol mix. See also „Fuel and oil“.

1. Set the equipment down on a hard, level surface.
2. Press the fuel pump (primer) (Fig. 1/Item 7) 10 times.
3. Move the On/Off switch (Fig. 1/Item 9) to „I“.
4. Secure the throttle lever (Fig. 1 / Item 11). To do this, press the throttle lever lock (Fig. 1/Item 12) and then press the throttle lever (Fig. 1/Item 11) and lock the throttle lever by pressing the lock (Fig. 1/Item 10) at the same time.
5. Set the choke lever (Fig. 1/Item 5) to „I“.
6. Hold the equipment firmly and pull out the starter cable (Fig. 1/Item 4) until you feel it begin to resist. Then tug sharply on the starter cable 4 times. The equipment should start.

Important: Never allow the starter line to snap back. This may result in damage.

Important: Since the throttle lever is secured, the cutting tool starts to operate when the engine is started.

Then release the throttle lever by actuating it once. Actuating the throttle lever will also release the choke lever. (The engine returns to its idle state).

7. If the engine does not start up, repeat steps 4-6 above.

Please note: If the engine does not start up even after several attempts, read the section „Troubleshooting“.

Please note: Always pull out the starter cable in a straight line. If it is pulled out at an angle, friction will occur on the eyelet.

As a result of this friction, the starter line will become frayed and will wear away faster. Always hold the starter cable when the starter line retracts.

Never allow the starter line to snap back when it has been pulled out.

7.2 Starting the engine when warm

(The equipment has been idle for less than 15-20 min.)

1. Set the equipment down on a hard, level surface.
2. Switch the On/Off switch to „I“ (Fig. 1 / Item 9).
3. Secure the throttle lever (Fig. 1 / Item 11) (in the same way as described in “Starting the engine when cold”).
4. Hold the equipment firmly and pull out the starter cable until you feel it start to resist. Then tug sharply on the starter cable. The equipment should start after 1-2 tugs. If the equipment does not start after 6 tugs, repeat steps 1 – 7 of the procedure for starting the engine from cold.



7.3 Switching off the engine

Emergency Stop procedure:

If it becomes necessary to stop the equipment immediately, set the On/Off switch (9) to "Stop" or "0".

Normal procedure:

Let go of the throttle lever (11) and wait until the engine has changed to idling speed. Then set the On/Off switch (9) to "Stop" or "0".

7.4 Practical tips

Practice all the work steps with the engine switched off before you start to use the equipment.

Warning! Take extreme care during mowing work. When doing such work keep a distance of 30 meters between yourself and other people or animals.

Extending the cutting line

Warning! Do not use any kind of metal wire or metal wire encased in plastic in the line spool. This may cause serious injuries to the user.

To extend the cutting line (13), run the engine at full speed and tap the line spool on the ground. This will automatically extend the line. The blade on the guard hood will cut the line to the permissible length (Fig. 9b).

Important: Remove all grass and weed remnants at regular intervals to prevent the equipment from overheating.

Grass and weed remnants become trapped under the guard hood (Fig. 9c) and prevent the equipment from cooling sufficiently. Remove the remnants carefully using a screwdriver or the like.

Different cutting methods

When the equipment is correctly assembled it will cut weeds and long grass in places which are difficult to access, e.g. along fences, walls and foundations and also around trees. It can also be used for „mowing“ down vegetation so that a garden can be better prepared or a certain area cleared down to the soil.

Please note: Even if it is used carefully, cutting around foundations, stone or concrete walls, etc. will result in the line suffering more than the normal level of wear.

Trimming/mowing (with line spool/cutting blade)

Swing the equipment from side to side in a scything motion. Always keep the cutting tool parallel to the ground.

Check the site and decide which cutting height you require. Guide and hold the cutting tool at the required height to ensure that you cut evenly (Fig. 9d).

Low trimming (with line spool)

Hold the equipment right in front of you at a slight angle so that the underside of the line spool is above the ground and the line strikes the correct target. Always cut away from yourself. Never draw the equipment towards yourself.

Cutting along fences/foundations (with line spool)

Approach wire mesh fences, lath fences, natural stone walls and foundations slowly so that you can cut close to them without striking the obstacle with the line. If, for example, the line strikes stones, stone walls or foundations, it will wear or fray. If the line strikes wire fencing, it will break.

Trimming around trees (with line spool)

When trimming around tree trunks, approach slowly so that the line does not strike the bark. Walk around the tree and take care not to damage the tree. Approach grass or weeds with the tip of the line and tilt the line spool forwards slightly.

Mowing down to the ground (with line spool)

When mowing down to the ground you will cut all the vegetation. To do this, set the line spool at an angle of 30° to the right. Place the handle in the required position (Fig. 9e).

Caution! Increased risk of injury to the user, bystanders and animals, and increased risk of damaging property due to objects (e.g. stones) being catapulted away.



Caution! Do not use the equipment to remove objects from footpaths, etc.
The petrol scythe is a powerful tool and can catapult small stones and other objects a distance of 15 meters or more, causing injuries and damage to cars, houses and windows.

Sawing

The equipment is not suitable for sawing.

Jamming

If the cutting tool jams as a result of attempting to cut vegetation that is too dense, switch off the engine immediately. Remove the grass and scrub from the equipment before you restart it.

Preventing recoil

When you work with the blade, there is a risk of recoil if it strikes solid objects (tree trunks, branches, tree stumps, stones or the like). This will throw the equipment backwards in the direction opposite to the rotation of the cutting tool. This can cause you to lose control of the equipment. Do not use the blade near fences, metal posts, boundary stones or foundations. For cutting slender wood growth, position the equipment as shown in Fig. 9f in order to prevent recoil.

8. Maintenance and ordering of spare parts

Always switch off the equipment and pull out the spark boot plug (36) before carrying out any maintenance work.

8.1 Replacing the line spool/cutting line

1. Dismantle the line spool (13) as described in section 6.1.6. Press the spool together (Fig. 12a) and remove one half of the housing (Fig. 12b).
2. Take the spool plate (K) out of the line spool housing (Fig. 12c).
3. Remove any remaining cutting line.
4. Place the new cutting line in the center and hang the loop which has formed into the recess in the spool splitter. (Fig. 12d)
5. Wind up the line counter-clockwise and under

tension. The spool splitter will separate the two halves of the line. (Fig. 12e)

6. Hook the last 15 cm of the two ends of the line onto the opposite lying line holders of the spool plate. (Fig. 12f)
7. Thread the two ends of the line through the metal eyelets in the line spool housing (Fig. 12c).
8. Press the spool plate into the line spool housing (Fig. 12b).
9. Pull the two line ends sharply to release them from the line holders.
10. Join the housing parts together again.
11. Cut the excess line to a length of around 13 cm. This will reduce the load on the engine when starting and warming up.
12. Refit the line spool (see section 6.1.6). If you are replacing the complete line spool, skip points 3-6.

8.2 Maintenance of the air filter

Soiled air filters reduce the engine output by supplying too little air to the carburetor.

Regular checks are therefore essential.

The air filter (35) should be checked after every 25 hours of use and cleaned if necessary. If the air contains a lot of dust, the air filter should be checked more frequently.

1. Remove the cover from the air filter housing (Fig. 10a / Item 8)
2. Remove the air filter (Fig. 10b/10c)
3. Clean the air filter by tapping it or blowing it out (with compressed air).
4. Assemble in reverse order.

Important: Never clean the air filter with petrol or inflammable solvents.



8.3 Maintenance of the spark plug

Electrode gap = 0.6 mm (distance between the electrodes between which the ignition spark is created). Tighten the spark plug with 12 to 15 Nm using a torque wrench (available from your dealer). Check the spark plug for dirt and grime after 10 hours of operation and if necessary clean it with a copper wire brush.

Thereafter service the spark plug after every 50 hours of operation.

1. Dismantle the protective cap (Fig. 10c/Item 31) using a screwdriver.
2. Pull off the spark boot plug (Fig. 11a/Item 36).
3. Remove the spark plug (Fig. 11b) with the supplied spark plug wrench (27).
4. Assemble in reverse order.

8.4 Sharpening the guard hood blade

The guard hood blade (Fig. 7a/Item F) can become blunt over time. If you notice this, undo the two screws holding the guard hood blade to the guard hood. Clamp the blade in a vise. Sharpen the blade with a flat file and make sure that the angle of the cutting edge is not altered in the process. File in one direction only.

8.5 Carburetor settings

Important: Settings on the carburetor are allowed to be made by authorized customer service personnel.

The air filter housing cover must be removed before any work on the carburetor, as shown in Figures 10a and 10b.

Setting the throttle cable:

If the maximum speed of the equipment drops over time and you have ruled out all the other possible causes listed in the section „Troubleshooting“, it may be necessary to adjust the throttle cable.

First of all check whether the carburetor opens fully when the throttle lever is pressed right through. This is the case if the carburetor slide (Fig. 13a/Item F) is completely opened when the throttle is fully activated.

Figure 13a shows the correct setting. If the carburetor slide is not completely open, it must be

adjusted.

The following steps are required to adjust the throttle cable:

- Undo the lock nut (Fig. 13b/Item C) a few turns.
- Undo the adjusting screw (Fig. 13b/Item D) until the carburetor slide is completely open when the throttle is fully activated, as shown in Figure 13a.
- Retighten the lock nut.

Setting the idling speed:

Caution! Set the idling speed when the equipment is warm.

If the engine stalls when the throttle is not pressed and you have ruled out all the other possible causes listed in the section „Troubleshooting“, the idling speed must be adjusted. To do this turn the idling speed screw (Fig. 13b/Item E) clockwise until the equipment runs smoothly at idling speed. If the idling speed is so fast that the cutting tool turns as well, it has to be reduced by turning the idling speed screw for as long as is required for the cutting tool to stop turning as well.

8.6 Applying grease to the gear unit

Add a little gear grease (approx. 10 g) after every 20 hours in operation. To do so, open the screw H (Fig. 7c).

8.7 Environmental protection

Dispose of soiled maintenance material and operating materials at the appropriate collection point.

Recycle packaging material, metal and plastics.

8.8 Ordering replacement parts

Please provide the following information on all orders for spare parts:

- Type of unit
- Article number of the unit
- ID number of the unit

For current prices and information please visit www.isc-gmbh.info



9. Storage and transport

9.1 Storage

Important: Never put the equipment into storage for longer than 30 days without carrying out the following steps.

Storing the equipment

If you intend to store the equipment for longer than 30 days, it must be prepared accordingly. Otherwise the fuel still remaining in the carburetor will evaporate and leave a rubbery sediment. This can cause problems when starting up the equipment and may require expensive repairs.

1. Slowly remove the fuel tank cap to release any pressure that may have formed in the tank. Carefully empty the tank (6).
2. To remove the fuel from the carburetor, start the engine and let it run until the equipment stops.
3. Leave the engine to cool (approx. 5 minutes).
4. Remove the spark plug (see 8.3).
5. Add one teaspoon of 2-stroke engine oil into the combustion chamber. Slowly pull the starter cord several times to apply a layer of oil to all internal components. Fit the spark plug again.

Note: Store the equipment in a dry place and far away from possible ignition sources such as an oven, a gas-fired hot water boiler, a gas-fired dryer, etc.

Putting the equipment back into operation

1. Remove the spark plug (see 8.3).
2. Quickly tug on the starter line to remove excess oil from the combustion chamber.
3. Clean the spark plug and check that the electrode gap is correct, or insert a new spark plug with the correct electrode gap.
4. Prepare the equipment for operation.
5. Fill the tank with the relevant mixture of fuel and oil. See the section "Fuel and oil".

9.2 Transport

To transport the equipment, empty the petrol tank as described in the section "Storage". Clean coarse dirt off the equipment with a brush or hand brush. Dismantle the steady grip and the long handle as described in section 6.1.1 and 6.1.2.

10. Cleaning

Always switch off the equipment and pull out the spark boot plug before carrying out any cleaning work.

- The equipment should be cleaned thoroughly every time after it has been used. This applies particularly to the cutting tool and the guard hoods.
- Keep the air vents and the motor housing free of dirt and dust as far as possible. Wipe the equipment with a clean cloth or blow it down with compressed air at low pressure.
- It is easiest to remove dirt and grass immediately after mowing.
- Clean the equipment regularly with a damp cloth and some soft soap. Do not use cleaning agents or solvents; these may be aggressive to the plastic parts in the equipment. Ensure that no water can get into the interior of the equipment.

11. Disposal and recycling

The equipment is supplied in packaging to prevent it from being damaged in transit. The raw materials in this packaging can be reused or recycled. The equipment and its accessories are made of various types of material, such as metal and plastic. Defective components must be disposed of as special waste. Fuel and oil must be disposed of only at special refuse collection centers. Ask your dealer or your local council.

12. Troubleshooting

Fault	Possible cause	Troubleshooting
The equipment does not start	<ul style="list-style-type: none"> - Correct starting procedure not followed - Sooted or damp spark plug - Incorrect carburetor setting 	<ul style="list-style-type: none"> - Follow the instructions for starting - Clean the spark plug or replace it with a new one - Contact an authorized customer service outlet or send the equipment to ISC-GmbH
The equipment starts but does not develop its full power	<ul style="list-style-type: none"> - Incorrect choke lever (5) setting - Soiled air filter (35) - Incorrect carburetor setting 	<ul style="list-style-type: none"> - Set the choke lever to "4" - Clean the air filter - Contact an authorized customer service outlet or send the equipment to ISC-GmbH
The engine does not run smoothly	<ul style="list-style-type: none"> - Incorrect electrode gap on the spark plug - Incorrect carburetor setting 	<ul style="list-style-type: none"> - Clean the spark plug and adjust the electrode gap or fit a new spark plug - Contact an authorized customer service outlet or send the equipment to ISC-GmbH
Engine smokes excessively	<ul style="list-style-type: none"> - Incorrect fuel mix - Incorrect carburetor setting 	<ul style="list-style-type: none"> - Use the correct fuel mix (see fuel mixing table) - Contact an authorized customer service outlet or send the equipment to ISC-GmbH

13. Declaration of conformity

Einhell Germany AG · Wiesenweg 22 · D-94405 Landau/Isar



Konformitätserklärung

- | | |
|--|--|
| <p>D erklärt folgende Konformität gemäß EU-Richtlinie und Normen für Artikel</p> <p>GB explains the following conformity according to EU directives and norms for the following product</p> <p>F déclare la conformité suivante selon la directive CE et les normes concernant l'article</p> <p>I dichiara la seguente conformità secondo la direttiva UE e le norme per l'articolo</p> <p>NL verklaart de volgende overeenstemming conform EU richtlijn en normen voor het product</p> <p>E declara la siguiente conformidad a tenor de la directiva y normas de la UE para el artículo</p> <p>P declara a seguinte conformidade, de acordo com a directiva CE e normas para o artigo</p> <p>DK attesterer følgende overensstemmelse i medfør af EU-direktiv samt standarder for artikel</p> <p>S förklarar följande överensstämmelse enl. EU-direktiv och standarder för artikeln</p> <p>FIN vakuuttaa, että tuote täyttää EU-direktiivin ja standardien vaatimukset</p> <p>EE tõendab toote vastavust EL direktiivile ja standarditele</p> <p>CZ vydává následující prohlášení o shodě podle směrnice EU a norem pro výrobek</p> <p>SLO potrjuje sledečo skladnost s smernico EU in standardi za izdelek</p> <p>SK vydáva nasledujúce prehlásenie o zhode podľa smernice EÚ a noriem pre výrobok</p> <p>H a cikkhez az EU-irányvonal és Normák szerint a következő konformitást jelenti ki</p> | <p>PL deklaruje zgodność wymienionego poniżej artykułu z następującymi normami na podstawie dyrektywy WE.</p> <p>BG декларира съответното съответствие съгласно Директива на ЕС и норми за артикул</p> <p>LV paskaidro šādu atbilstību ES direktīvai un standartiem</p> <p>LT apibūdina šį atitikimą EU reikalavimams ir prekės normoms</p> <p>RO declară următoarea conformitate conform directivei UE și normelor pentru articolul</p> <p>GR δηλώνει την ακόλουθη συμμόρφωση σύμφωνα με την Οδηγία ΕΚ και τα πρότυπα για το προϊόν</p> <p>HR potvrđuje sljedeću uskladenost prema smjernicama EU i normama za artikl</p> <p>HR Izjava o sukladnosti za ovaj proizvod dostupna je na internet stranici www.lidl.hr.</p> <p>BIH potvrđuje sljedeću uskladenost prema smjernicama EU i normama za artikl</p> <p>RS potvrđuje sledeću uskladenost prema smernicama EZ i normama za artikal</p> <p>RUS следующим удостоверяется, что следующие продукты соответствуют директивам и нормам ЕС</p> <p>UKR проголошує про зазначену нижче відповідність виробу директивам та стандартам ЄС на виріб</p> <p>MK ja izjavuwa slednata soobrznost согласно EУ-директивата и нормите за артикли</p> <p>TR Ürünü ile ilgili AB direktifleri ve normlan gereğince aşağıda açıklanan uygunluğu belirtir</p> <p>N erklærer følgende samsvar i henhold til EU-direktivet og standarder for artikkel</p> <p>IS Lýsir uppfyllingu EU-reglna og annarra staðla vöru</p> |
|--|--|

Benzin-Sense FBS 43 A1 (Florabest)

- | | |
|---|---|
| <input type="checkbox"/> 87/404/EC_2009/105/EC | <input checked="" type="checkbox"/> 2006/42/EC |
| <input type="checkbox"/> 2005/32/EC_2009/125/EC | <input type="checkbox"/> Annex IV
Notified Body:
Notified Body No.:
Reg. No.: |
| <input type="checkbox"/> 2006/95/EC | |
| <input type="checkbox"/> 2006/28/EC | <input checked="" type="checkbox"/> 2000/14/EC_2005/88/EC |
| <input checked="" type="checkbox"/> 2004/108/EC | <input checked="" type="checkbox"/> Annex V |
| <input type="checkbox"/> 2004/22/EC | <input type="checkbox"/> Annex VI
Noise measured: L _{WA} = 104,7 dB (A); guaranteed L _{WA} = 110 dB (A)
P = 1,35 KW; L/Ø = cm
Notified Body: |
| <input type="checkbox"/> 1999/5/EC | |
| <input type="checkbox"/> 97/23/EC | <input checked="" type="checkbox"/> 2006/28/EC
Emission No.: e11*97/68SA*2004/26*1181*00 |
| <input type="checkbox"/> 90/396/EC_2009/142/EC | |
| <input type="checkbox"/> 89/686/EC_96/58/EC | |
| <input type="checkbox"/> 2011/65/EC | |

Standard references: EN ISO 11806; EN ISO 14982

Landau/Isar, den 14.02.2012

Weichselgartner/General-Manager

Frank/Product-Management

First CE: 10
Art.No.: 34.019.92 I.No.: 11011
Subject to change without notice

Archive-File/Record: NAPR005246
Documents registrar: Robert Mayn
Wiesenweg 22, D-94405 Landau/Isar

14. Warranty certificate

Dear Customer,

All of our products undergo strict quality checks to ensure that they reach you in perfect condition. In the unlikely event that your device develops a fault, please contact our service department at the address shown on this guarantee card. Of course, if you would prefer to call us then we are also happy to offer our assistance under the service number printed below. Please note the following terms under which guarantee claims can be made:

1. These guarantee terms cover additional guarantee rights and do not affect your statutory warranty rights. We do not charge you for this guarantee.
2. Our guarantee only covers problems caused by material or manufacturing defects, and it is restricted to the rectification of these defects or replacement of the device. Please note that our devices have not been designed for use in commercial, trade or industrial applications. Consequently, the guarantee is invalidated if the equipment is used in commercial, trade or industrial applications or for other equivalent activities. The following are also excluded from our guarantee: compensation for transport damage, damage caused by failure to comply with the installation/assembly instructions or damage caused by unprofessional installation, failure to comply with the operating instructions (e.g. connection to the wrong mains voltage or current type), misuse or inappropriate use (such as overloading of the device or use of non-approved tools or accessories), failure to comply with the maintenance and safety regulations, ingress of foreign bodies into the device (e.g. sand, stones or dust), effects of force or external influences (e.g. damage caused by the device being dropped) and normal wear resulting from proper operation of the device. This applies in particular to rechargeable batteries for which we nevertheless issue a guarantee period of 12 months. The guarantee is rendered null and void if any attempt is made to tamper with the device.
3. The guarantee is valid for a period of 3 years starting from the purchase date of the device. Guarantee claims should be submitted before the end of the guarantee period within two weeks of the defect being noticed. No guarantee claims will be accepted after the end of the guarantee period. The original guarantee period remains applicable to the device even if repairs are carried out or parts are replaced. In such cases, the work performed or parts fitted will not result in an extension of the guarantee period, and no new guarantee will become active for the work performed or parts fitted. This also applies when an on-site service is used.
4. In order to assert your guarantee claim, please send your defective device postage-free to the address shown below. Please enclose either the original or a copy of your sales receipt or another dated proof of purchase. Please keep your sales receipt in a safe place, as it is your proof of purchase. It would help us if you could describe the nature of the problem in as much detail as possible. If the defect is covered by our guarantee then your device will either be repaired immediately and returned to you, or we will send you a new device.

Of course, we are also happy offer a chargeable repair service for any defects which are not covered by the scope of this guarantee or for units which are no longer covered. To take advantage of this service, please send the device to our service address.

Einhell UK Ltd
Morpeth Wharf
Twelve Quays
Birkenhead, Wirral
CH41 1LF
Tel. 0151 6491500, Fax 0151 6491501

IAN 72317



Sisällysluettelo

1. Johdanto	24
2. Turvallisuusmääräykset	24
3. Laitteen kuvaus ja toimituksen laajuus	27
4. Määräysten mukainen käyttö	27
5. Tekniset tiedot	28
6. Ennen käyttöönottoa.....	28
7. Käyttö.....	30
8. Huolto ja varaosatilaus	32
9. Varastointi ja kuljetus	34
10. Puhdistus	34
11. Käytöstäpoisto ja uusiokäyttö	35
12. Häiriönpoisto.....	36
13. Standardinmukaisuustodistus	37
14. Takuutodistus	38

Tuotedokumentation ja tuotteen mukana toimitettujen papereiden osittainenkin kopiointi tai muu monistaminen on sallittu ainoastaan iSC GmbH:n nimenomaisella luvalla.

Oikeus teknisiin muutoksiin pidätetään



1. Johdanto

Onnittelemme sydämellisesti uuden laitteen ostajaa.

Olet valinnut itsellesi korkealuokkaisen tuotteen. Käyttöohje on tämän tuotteen olennainen osa. Siinä on tärkeitä ohjeita, jotka koskevat turvallisuutta, käyttöä ja hävittämistä. Perehdy ennen tuotteen käyttöä kaikkiin käyttöohjeisiin ja turvallisuusmääräyksiin. Käytä tuotetta vain ohjeitten mukaisesti ja ainoastaan määrättyyn käyttötarkoitukseen. Jos luovutat laitteen muille henkilöille, anna myös kaikki asiakirjat tuotteen mukana.

2. Turvallisuusmääräykset

⚠ Varoitus!

Lue kaikki turvallisuusmääräykset ja ohjeet. Jos turvallisuusmääräyksiä tai muita ohjeita ei noudateta, saattaa tästä aiheutua sähköiskuja, tulipaloja ja/tai vaikeita vammoja. **Säilytä kaikki turvallisuusmääräykset ja ohjeet myöhempää tarvetta varten.**

Turvallisuusvarusteet

Laitetta käytettäessä tulee terien tai lankakoneiston vastaavan muovisuojakuvun olla asennettuna, jotta estetään esineiden sinkoaminen pois. Leikkauslangan suojakuppuun asennettu leikkuuterä katkaisee langan automaattisesti oikean mittaiseksi.

Laitteessa olevien ohjekilpien selitys (kuva 14):

1. Varoitus!
2. Lue käyttöohje ennen käyttöönottoa!
3. Käytä silmä-/ pää- ja kuulosuojuksia!
4. Käytä tukevia jalkineita!
5. Käytä suojakäsineitä!
6. Suojaa laitetta sateelta tai kosteudelta!
7. Varo poissinkoutuvia osia!
8. Ennen huoltotöihin ryhtymistä sammuta laite ja irrota sytytystulpan pistoke!
9. Laitteen ja lähellä olevien henkilöiden välimatkan tulee olla vähintään 15 m!
10. Leikkaustyökalu (leikkuuterä/leikkauslanka) pyörii sammuttamisen jälkeenkin!

11. Huomio, kuumia osia. Säilytä välimatka!
12. Lisää aina 20 käyttötunnin jälkeen hieman rasvaa (juoksevaa vaihteistorasvaa)!

Turvallisuusmääräykset

- Lue käyttöohje huolellisesti. Perehdy laitteen säätöihin ja sen oikeaan käyttöön.
- Älä koskaan anna sellaisten henkilöiden käyttää laitetta, jotka eivät ole perehtyneet tähän käyttöohjeeseen. Paikalliset määräykset saattavat määrätä käyttäjän vähimmäisiän.
- Älä koskaan käytä laitetta, jos lähistöllä on muita ihmisiä ja varsinkin lapsia tai eläimiä.

Varoitus:

Säilytä aina 15 m turvallisuusvälimatkaa. Jos ihmisiä lähestyy, sammuta laite heti. Muista aina, että konetta käyttävä henkilö on vastuussa muille henkilöille sattuneista tapaturmista tai heidän omaisuutensa vaurioitumisesta.

- Huomio: Myrkytysvaara, pakokaasut, polttoaineet ja voiteluaineet ovat myrkyllisiä, pakokaasuja ei saa hengittää.

Ennen käyttöä

- Niittämisen aikana tulee aina käyttää tukevia jalkineita ja pitkiä housuja. Älä leikkaa ruohoa paljain jaloin tai ohuissa sandaaleissa.
- Tarkasta se alue, jolla haluat käyttää laitetta, ja poista kaikki sellaiset vieraat esineet, jotka saattaisivat joutua laitteeseen ja sinkoutua pois.
- Varoitus: Bensiini on erittäin tulenarkaa:
 - säilytä bensiiniä vain tähän tarkoitukseen varatuissa astioissa.
 - täytä polttoainesäiliö vain ulkosalla äläkä tupakoi täyttämisen aikana.
 - bensiini tulee täyttää säiliöön ennen moottorin käynnistämistä. Moottorin käydessä, tai jos laite on kuuma, polttoainesäiliön tulppaa ei saa avata tai bensiiniä lisätä.
 - Jos bensiiniä on valunut säiliön yli, ei moottoria saa käynnistää. Sen sijaan laite tulee viedä pois bensiinin saastuttamalta pinnalta. Kaikki käynnistysyritykset tulee jättää, kunnes bensiinihöyryt ovat haihtuneet.
 - Turvallisuussyistä bensiinisäiliö ja säiliön tulpat täytyy vaihtaa uusiin, jos ne vahingoittuvat.



- Vaihda viallisten äänenvaimentimien tilalle uudet.
- Ennen käyttöä tulee aina tarkastaa silmämääräisesti, ovatko leikkurin osat, kiinnityspultit ja koko leikkauksyksikkö kuluneet tai vahingoittuneet. Epätasapainoisen käynnin välttämiseksi kuluneet tai vahingoittuneet osat ja kiinnityspultit saa vaihtaa uusiin aina vain koko sarja kerrallaan.

Käsittely (käyttö, säilytys, tarkastus)

- Käytä vartaloa myötäileviä työvaatteita, jotka suojaavat, kuten pitkiä housuja, tukevia työjalkineita, kestäviä työkäsiineitä, suojakypärää, kasvojen suojaamaaria tai silmiä suojaavia suojalaseja sekä hyvää korvavänyä tai muunlaisia kuulosuojuksia melulta suojaamiseksi.
- Säilytä laite turvallisessa paikassa. Avaa bensiinisäiliön tulppa hitaasti mahdollisen paineen poispäästämiseksi, jos sitä on syntynyt säiliön kanteen. Tulipalon vaaran välttämiseksi poistu vähintään 3 m päähän täyttöpaikalta ennen kuin käynnistät laitteen.
- Sammuta laite ennen kuin lasket sen kädestäsi.
- Pitele laitetta aina molemmin käsin. Peukalon ja sormien tulee ympäröidä kahvoja.
- Huolehdi siitä, että ruuvit ja liittimet on kiristetty tiukkaan. Älä koskaan käytä laitetta, jos sitä ei ole säädetty oikein tai asennettu kokonaan ja turvallisesti.
- Huolehdi siitä, että kahvat ovat kuivat ja puhtaat eikä niissä ole bensiiniseosta.
- Liikuta lankapuolaa halutulla korkeudella. Vältä koskettamista pieniin esineisiin (esim. kiviin) lankapuolalla.
- Rinteessä tehtävissä leikkuutöissä asetu aina seisomaan leikkurityökalun alapuolelle. Älä koskaan niitä tai leikkaa reunoja sileällä, liukkaalla kukkulalla tai rinteellä.
- Pidä kaikki ruumiinosat ja vaatekappaleet poissa lankapuolan läheltä, kun käynnistät moottorin tai annat sen käydä. Ennen moottorin käynnistämistä varmista, ettei lankapuola kosketa mihinkään esteisiin.
- Sammuta moottori aina ennen leikkuriosiin tehtäviä toimia.

- Säilytä laite ja sen varusteet turvallisesti ja suojattuna avotulelta ja kuumuudelta / kipinänlähteiltä, näitä ovat kaasuläpivirtauskumennin, pyykinkuivatin, öljyuuni, sähkölämmitin tms.
- Huolehdi siitä, että leikkuujätteet on poistettu suojakuvusta, lankapuolasta ja moottorista ennen laitteen varastointia.
- Vain riittävästi koulutetut aikuiset henkilöt saavat käyttää, säätää ja huoltaa laitetta.
- Jos et ole perehtynyt laitteen käyttöön, harjoittele sitä moottori sammutettuna.
- Ennen työn aloittamista tarkasta leikattava ruohoalue, sillä kiinteät esineet kuten metallinkappaleet, pullot, kivet tms. saattavat sinkoilla ja aiheuttaa käyttäjälle vakavia vammoja sekä vahingoittaa laitetta pysyvästi. Jos epähuomiossa kosketat laitteella kiinteisiin esineisiin, sammuta moottori heti ja tarkasta, onko laitteeseen mahdollisesti tullut vaurioita. Älä koskaan käytä laitetta, jos se on vahingoittunut tai siinä on vikoja.
- Leikkaa ja tasaa aina ylemmällä kierroslukualueella. Älä anna moottorin käydä alhaisella kierrosluvulla leikkaamisen alussa tai tasoittamisen aikana.
- Käytä laitetta vain sille määrättyyn tarkoitukseen, kuten reunojen tasoittamiseen ja rikkaruohojen niittämiseen.
- Älä koskaan pidä lankapuolaa polvea korkeammalla laitteen käydessä.
- Älä käytä laitetta, jos välittömässä läheisyydessä on katsojia tai eläimiä. Säilytä työskennellessäsi aina vähintään 15 m välimatka käyttäjän ja muiden henkilöiden tai eläinten välillä. Kun niittotyö tehdään maaperään asti, on vähimmäisvälimatkan oltava 30 m.

Lisäohjeita

- Älä käytä muuta polttoainetta kuin käyttöohjeessa suositeltua. Noudata aina käyttöohjeen luvussa „Polttoaine ja öljy“ annettuja ohjeita. Älä käytä bensiiniä, johon ei ole sekoitettu oikeaa määrää 2-tahti-moottoriöljyä. Muussa tapauksessa tästä aiheutuu pysyvien vaurioiden vaara moottoriin ja valmistajan antama takuu raukeaa.
- Älä tupakoi täyttäessäsi tai käyttäessäsi lai-

tetta.

- Älä käytä laitetta ilman pakoputkea.
- Älä kosketa pakoputkeen käsilläsi tai vartalolasi. Pitele laitetta niin, että peukalo ja sormet ympäröivät kahvaa.
- Älä käytä laitetta epämukavassa asennossa tai jos et ole tasapainossa, jos sinun täytyy ojentaa käsivartesi pitkälle tai käyttää vain yhtä kättä. Käytä laitetta aina vain molemmin käsin siten, että peukalosi ja sormesi ympäröivät kahvat.
- Pidä lankapuola aina maan tasolla laitteen käytessä.
- Käytä laitetta vain sille määrättyyn tarkoitukseen, kuten ruohikon reunojen leikkaamiseen ja niittämiseen.
- Älä käytä laitetta liian pitkään yhtäjaksoisesti, pidä säännöllisesti taukoja.
- Älä käytä laitetta päihteiden tai huumeiden vaikutuksen alaisena.
- Käytä laitetta vain kun siihen kuuluva suojakuoppa on asennettu ja hyväkuntoinen.
- Kaikkinaiset tuotteeseen tehdyt muutokset saattavat vaarantaa henkilökohtaisen turvallisuuden ja aiheuttavat valmistajan antaman takuun raukeamisen.
- Älä koskaan käytä laitetta helposti syttyvien nesteiden tai kaasujen lähellä, sen enempää suljetuissa tiloissa kuin ulkonakaan. Tästä voi seurata räjähdys ja/tai tulipalo.
- Älä käytä muita leikkaustyökaluja. Oman turvallisuutesi vuoksi käytä ainoastaan sellaisia varusteita ja lisälaitteita, jotka on mainittu käyttöohjeessa tai joita laitteesi valmistaja on suositellut tai maininnut. Muiden kuin käyttöohjeessa tai luettelossa suositeltujen leikkaustyökalujen tai lisävarusteiden käytöstä saattaa aiheutua käyttäjälle henkilökohtainen tapaturmanvaara.

Turvallisuustoimenpiteet leikkuuterää käsiteltäessä

- Noudata kaikkia käytöstä ja leikkuuterän asennuksesta annettuja varoituksia ja ohjeita.
- Leikkuuterä saattaa singota yhdellä iskulla pois päin esineistä, joita se ei ole voinut leikata / niittää. Tästä voi aiheutua käsivarsien tai säärrien vammoja. Pidä ympärillä olevat henkilöt ja eläimet vähintään 15 m päässä työpaikalta kaikkiin suuntiin. Jos laite osuu vieraseen esineeseen, pysäytä moottori heti ja odota, kunnes leikkuuterän liike on pysähtynyt. Tarkasta, onko leikkuuterässä vaurioita. Vaihda leikkuuterän tilalle aina uusi, jos se on vääntynyt tai revennyt.
- Leikkuuterä sinkoa esineet voimalla pois. Tästä voi aiheutua vammoja tai jopa sokeutuminen. Käytä silmä-, kasvo- ja säärisuojuksia. Poista aina vieraat esineet työalueelta ennen kuin ryhdyt käyttämään leikkuuterää.
- Tarkasta ennen joka käyttöä huolellisesti, onko laitteessasi tai sen varusteissa vaurioita. Älä käytä laitetta, jos kaikkia leikkuuterän varusteita ei ole asennettu oikein.
- Leikkuuterä pyörii vielä hieman, kun kaasuvipu on päästetty irti. Leikkuuterä voi loppuun pyöriessään aiheuttaa käyttäjälle tai lähellä oleville henkilöille viiltohaavoja. Ennen kuin teet mitään toimia leikkuuterään, sammuta moottori ja varmista, että leikkuuterän liike on pysähtynyt.
- Vasra-alueen halkaisija on 15 metriä. Lähellä olevat henkilöt voivat kärsiä vammoja tai sokeutua. Pidä aina kaikkiin suuntiin 15 metrin välimatka itsesi ja muiden henkilöiden tai eläinten välillä.



3. Laitteen kuvaus ja toimituksen laajuus

3.1 Laitteen kuvaus (kuvat 1-13)

1. Ohjausvarren liitoskappale
2. Ohjausvarsi
3. Ohjauskahva
4. Käynnistysnuora / käynnistysvaijeri
5. Rikastinvipu
6. Bensiinisäiliö
7. Polttoainepumppu „käynnistin“
8. Ilmansuodattimen kotelon kansi
9. Päälle-/pois-katkaisin
10. Kaasuvivun lukitus
11. Kaasuvipu
12. Kaasuvivun esto
13. Lankapuola ja leikkauslanka
14. Leikkauslangan suojakupu
15. Leikkuuterän suojakupu
16. 4 kpl M5-ruuveja
17. Kantohihna
- 18a. Leikkuuterä (4 hammasta)
- 18b. Leikkuuterä (3 hammasta)
19. Ohjauskahvan pidike
20. Kahvaruuvi M8
21. Välilevy Ø 8mm
22. Naukkarilevy
23. Painolevy
24. Painolevyn suojus
25. M10-mutteri (kierteet vasemmalle)
26. Öljyn/bensiinin sekoituspullo
27. Sytytystulppa-avain
28. Kita-avain 8/10mm
29. Kuusikanta-avain 4 mm
30. Kuusikanta-avain 5 mm
31. Sytytystulpan pistokkeen suojakappale
32. Kahvaruuvi M6
33. M6-mutteri
34. Välilevy Ø 6mm
35. Ilmansuodatin
36. Sytytystulpan pistoke

Leikkuuterää (18a/18b) ja lankapuolaa (13) kutsutaan tekstissä myös nimellä leikkuutyökalu (yleiskäsite).

3.2 Toimituksen laajuus

- Avaa pakkaus ja ota laite varovasti pakkauksesta.
- Poista pakkausmateriaalit sekä pakkaus- ja kuljetusvarmistukset (mikäli käytetty).
- Tarkasta, onko toimitus täysilukuinen.
- Tarkasta, onko laitteessa ja varusteissa kuljetusvaurioita.
- Säilytä pakkaus, mikäli mahdollista, takuuaian loppuun saakka.

Huomio!

Laite ja pakkausmateriaalit eivät ole lasten leikkikaluja! Lapset eivät saa leikkiä muovipusseilla, kelmuilla tai pienillä osilla! Niistä uhkaa nielais- ja tukehtumisvaara!

4. Määräysten mukainen käyttö

Laite (käytettäessä leikkuuterää) soveltuu korkean ruohon ja harvan pensaikon leikkaamiseen 4-hammasterällä ja tiheän pensaikon ja ohuiden puiden leikkaamiseen 3-hammasterällä.

Laite (käytettäessä puolalla olevaa leikkauslankaa) soveltuu nurmikoiden ja ohuiden rikkaruohojen leikkaamiseen. Valmistajan oheistaman käyttöohjeen noudattaminen on laitteen määräysten mukaisen käytön edellytys.

Kaikkinaisen muu käyttö, jota ei nimenomaisesti ole sallittu tässä käyttöohjeessa, saattaa aiheuttaa laitteen vahingoittumisen ja merkitä vakavaa vaaraa käyttäjälle. Noudata ehdottomasti turvallisuusmääräyksissä annettuja rajoituksia.

Ole hyvä ja ota huomioon, että laitteitamme ei ole suunniteltu käytettäväksi pienteollisuus-, käsityöläis- tai teollisuustarkoituksiin. Emme hyväksy mitään takuuvaateita, jos laitetta käytetään pienteollisuus-, käsityöläis- tai teollisuustyöpaikoilla tai näihin verrattavissa olevissa toimissa.

Huomio! Käyttäjään kohdistuvan loukkaantumisvaaran vuoksi ei laitetta saa käyttää seuraavissa töissä: jalkakäytävien puhdistamiseen sekä leikkurina puiden ja pensasaitojen leikkausjätteiden

silppuamiseen. Laitetta ei myöskään saa käyttää maan epätasaisuuksien, kuten esim. myyränka-sojen tasoittamiseen. Turvallisuussyistä laitetta ei saa käyttää minkäänlaisten muiden laitteiden voimanlähteenä.

Laitetta saa käyttää ainoastaan sille määrättyyn tarkoitukseen. Kaikkalainen tämän ylittävä käyttö katsotaan määräysten vastaiseksi. Laitteen omistaja/käyttäjä eikä suinkaan sen valmistaja on vastuussa kaikista tästä aiheutuvista vahingoista tai loukkaantumisista.

5. Tekniset tiedot

Moottorityyppi	2-tahtimoottori;
	ilmajäähdytteinen; kromisylinteri
Moottorin teho (kork.)	1,35 kW/ 1,8 HV
Tilavuus	42,7 ccm
Moottorin joutokäyntikierrosluku	3 000 min ⁻¹
Moottorin suurin kierrosluku	
terän kera:	9 000 min ⁻¹
lankapuolan kera:	8 400 min ⁻¹
Leikkausnopeus kork.	
terän kera:	6 800 min ⁻¹
lankapuolan kera:	6 300 min ⁻¹
Sytytys	elektroninen
Voimansiirto	keskipakoiskytkin
Paino (polttoainesäiliö tyhjä)	7,5 kg
Langan leikkauskehä Ø	41 cm
Terän leikkauskehä Ø	23 cm
Langan pituus	8,0 m
Langan halkaisija	2,0 mm
Polttoainesäiliön tilavuus	0,8 l
Sytytystulppa	Champion RCJ6Y
Polttoaineen kulutus moottorin	
suurimmalla teholla	0,6 kg/h
Polttoaineen ominaiskulutus moottorin	
suurimmalla teholla	446 g/kWh

Melu ja värinä

Äänen painetaso L _{PA}	98 dB(A)
Mittausvirhe K _{PA}	1,5 dB
Äänen tehotaso L _{WA}	110 dB(A)
Mittausvirhe K _{WA}	1,5 dB

Käytä kuulosuojuksia.

Melu saattaa aiheuttaa kuulon menetyksen.

Käyttö

Tärinänpäästöarvo a_r = 4,1 m/s²

Epävarmuus K = 1,5 m/s²

Rajoita melunpäästöt ja värinä mahdollisimman vähäisiksi!

- Käytä ainoastaan moitteettomia laitteita.
- Huolla ja puhdista laite säännöllisesti.
- Sovita työskentelytapasi laitteen mukaiseksi.
- Älä ylikuormita laitetta.
- Tarkastuta laite aina tarvittaessa.
- Sammuta laite, kun sitä ei käytetä.
- Käytä suojakäsineitä.

6. Ennen käyttöönottoa

6.1 Asennus

6.1.1 Ohjaukahvan asennus (kuvat 3a – 3c)

Asenna ohjaukahva (3) kuten kuvissa 3a – 3c näytetään. Kiristä ruuvi (20) aivan tiukkaan vastaan, kun olet säätänyt parhaan työskentelyasennon kantohihnan (17) kanssa (katso tässä myös lukua 6.2). Ohjaukahva tulee kohdistaa kuten kuvassa 1 esitetään. Purkaminen tehdään päinvastaisessa järjestyksessä.

6.1.2 Ohjauvarren asennus (kuvat 4a - 4c)

Työnnä kahvaruuvi (32) välilevyn (34) läpi ohjauvarren liitoskappaleeseen (1). Kiinnitä kahvaruuvi löysästi mutterilla (33). Paina sitten lukitusvipua (A) ja työnnä ohjauvarsi (kuva 4a / nro 2) varovasti ohjauvarren liitoskappaleeseen. Huolehdi tässä siitä, että ohjauvarren sisällä olevat voimansiirtoakselit liukuvat sisäkkäin, tarvittaessa käännä niitä hieman lankapuolasta (13) / leikkuuterästä (18a/18b). Lukitusvivun (A) nokan täytyy lukittua reikään (B). Kiristä sitten kahvaruuvi kuten kuvassa 4c näytetään. Purkamista varten täytyy vain löysätä kahvaruuvia ja painaa lukitusvipua.

6.1.3 Leikkuuterän suojakuvun asennus

Huomio: Työskennellessä leikkuuterää käyttäen tulee leikkuuterän suojakuvun (15) olla asennettuna.

Leikkuuterän suojakuvun asennus tehdään kuvien 5a – 5b mukaisesti.

6.1.4 Leikkuuterän asennus / vaihto

Leikkuuterän (18a/18b) asentaminen on näytetty kuvissa 6a - 6g. Purkamisen tehdään päinvastaisessa järjestyksessä.

- Työnnä naukkarilevy (22) hammasakselin päälle, kuten kuvassa 6b näytetään.
- Lukitse leikkuuterä (18a/18b) naukkarilevyn päälle (kuva 6c)
- Työnnä painolevy (23) hammasakselin kiertäen päälle (kuva 6d)
- Pane painolevyn suojuus (24) paikalleen (kuva 6e)
- Etsi naukkarilevyn porareikä, vie se samaan kohtaan kuin sen alapuolella oleva lovi ja lukitse se paikalleen mukana toimitetulla koloavaimella (29), jotta voit sitten kiristää mutterin (25) syytystulpan avaimella (27) (kuvat 6f/6g). Huomio: kiertäet vasemmalle
- Leikkuuterät (18a/18b) on varustettu toimitetussa muovisuojuksilla. Ota ne pois ennen käyttöä ja pane sen jälkeen takaisin paikalleen.

6.1.5 Leikkauslangan suojakuvun asennus leikkuuterän suojakuppuun

Huomio: Työskenneltäessä leikkauslankaa käyttäen tulee lisäksi asentaa leikkauslangan suojakuppu (14).

Leikkauslangan suojakuvun asennus tehdään kuvien 7a – 7b mukaisesti. Huolehdi siitä, että leikkauslangan suojakuppu napsahtaa oikein paikalleen. Suojakuvun alapinnalla on leikkuuterä (kuva 7a/kohta F) langanpituuden automaattista säätöä varten. Terä on peitetty suojuksella (kuva 7a/kohta G).

Ota tämä suojuus pois ennen työn aloittamista ja pane se takaisin työn jälkeen.

6.1.6 Lankapuolan asennus / vaihto

Lankapuolan (13) asentaminen näytetään kuvassa 7c. Purkamisen tehdään päinvastaisessa järjestyksessä. Lankapuola on jo asennettu paikalleen toimituksessa.

Etsi naukkarilevyn (22) porareikä, vie se samaan kohtaan kuin sen alapuolella oleva lovi ja lukitse se paikalleen mukana toimitetulla kuusikanta-avaimella (29), jotta voit sitten ruuvata lankapuolan kierteisiin.

Huomio: kiertäet vasemmalle

6.2 Leikkauskorkeuden säätö

- Pane kantohihna (17) päällesi kuvien 8a-8c mukaisesti.
- Ripusta laite kantohihnaan (kuva 8d).
- Säädä kantohihnassa olevilla hihnansäätimillä paras mahdollinen työ- ja leikkuuasento (kuva 8e).
- Tarkasta, että kantohihnan pituus on sopiva tekemällä sitten muutamia heilautusliikkeitä käynnistämättä moottoria (kuva 9a).

Kantohihna on varustettu pika-avausmekanismilla. Jos sinun täytyy laskea laite nopeasti pois, vedä punaisesta hihnankappaleesta (kuva 8f).

Huomio: Käytä kantohihnaa aina kun käytät laitetta. Pane hihna paikalleen heti kun olet käynnistänyt moottorin ja se käy joutokäynnillä. Sammuta moottori, ennen kuin otat kantohihnan pois.

6.3 Polttoaine ja öljy

Suosittelut polttoaineet

Käytä ainoastaan lyijyttömän bensiinin ja erityisen 2-tahtimoottoriöljyn seosta.

Valmista polttoaineseos polttoaineen sekoitustaulukon mukaan.

Huomio: Älä käytä polttoaineseosta, jota on säilytetty kauemmin kuin 90 päivän ajan.

Huomio: Älä käytä sellaista 2-tahtiöljyä, jolle suositellaan sekoitussuhdetta 100:1. Valmistajan moottoritakuu ei kata riittämättömästä voitelusta aiheutuneita moottorivaurioita.

Huomio: Käytä polttoaineen kuljetukseen ja säilytykseen vain tätä varten tehtyjä ja tähän hyväksytyjä astioita. Täytä oikeat määrät bensiiniä ja

2-tahtiöljyä mukana toimitettuun sekoituspulloon (katso siihen painettua asteikkoa). Ravistele sitten suljettua astiaa perusteellisesti.

6.4 Polttoaineen sekoitustaulukko

Sekoitusmenettely: 40 osaa bensiiniä 1 osaan öljyä

Bensiini	2-tahtiöljy
1 litra	25 ml
5 litraa	125 ml

7. Käyttö


Noudata lakimääräisiä melunorjuntamääräyksiä, jotka saattavat vaihdella paikkakunnittain.

Tarkasta ennen joka käyttöönottoa, että laitteen:

- polttoainejärjestelmä on tiivis.
- suojalaitteet ja leikkauslaite ovat moitteettomassa kunnossa ja täysilukuiset.
- kaikki ruuviliitännät on kiristetty tiukkaan.
- kaikki liikkuvat osat liikkuvat helposti.

7.1 Kylmän moottorin käynnistäminen

Täytä polttoainesäiliö bensiini/öljy-seoksella. Katso myös lukua „Polttoaine ja öljy“.

1. Aseta laite kovalle, tasaiselle pinnalle.
2. Paina polttoainepumppua (käynnistintä) (kuva 1/kohta 7) 10 kertaa.
3. Käännä päälle-/pois-katkaisin (kuva 1/nro 9) asentoon „I“
4. Lukitse kaasuvipu (kuva 1/kohta 11) paikalleen. Tätä varten paina kaasuvivun lukitusta (kuva 1/nro 12) ja sitten kaasuvipua (kuva 1/nro 11) ja lukitse kaasuvipu paikalleen painamalla samanaikaisesti lukitusta (kuva 1/nro 10).
5. Aseta rikastinvipu (kuva 1/nro 5) asentoon „“.
6. Pidä laitteesta tukevasti kiinni ja vedä käynnistysnuora (kuva 1/nro 4) ulos ensimmäiseen vastukseen asti. Vetäise sitten käynnistysnuorasta nopeasti 4 kertaa. Laitteen tulisi käynnistyä.

Huomio: Älä anna käynnistysnuoran sinkoutua takaisin. Siitä voisi aiheutua vaurioita.

Huomio: Lukitun kaasuvivun vuoksi leikkulaite käynnistyy moottorin käynnistyessä.

Vapauta kaasuvipu sitten yksinkertaisesti painamalla sitä. Samalla kun kaasuvipua painetaan, niin myös rikastinvipu vapautetaan. (Moottori palautuu joutokäyntiin).

7. Jos moottori ei käynnisty, toista vaiheet 4-6. Huomaa: Jos moottori ei käynnisty usean yrityksen jälkeenkään, lue tämän ohjeen luku „Häiriöiden poisto“. Huomaa: Vedä käynnistysnuoraa aina suorana ulospäin. Jos sitä vedetään ulos sivusuuntaan, niin aukon reunassa syntyy kitkaa. Tämä kitka kuluttaa käynnistysnuoraa ja se kuluu nopeammin loppuun. Pidä käynnistysnuorasta aina kiinni, kun nuora vedetään takaisin sisään. Älä koskaan anna käynnistysnuoran sinkoutua takaisin ulosvedetystä asemasta.

7.2 Lämpimän moottorin käynnistäminen

(Laitte on ollut pysähdyksissä vähemmän kuin 15-20 minuutin ajan)

1. Aseta laite kovalle, tasaiselle pinnalle.
2. Käännä päälle-/pois-katkaisin (kuva 1 / nro 9) asentoon „I“.
3. Lukitse kaasuvipu (kuva 1/nro 11) (samoin kuin kohdassa „Kylmän moottorin käynnistäminen“).
4. Pidä laitteesta tukevasti kiinni ja vedä käynnistysnuora ulos ensimmäiseen vastukseen asti. Vedä sitten käynnistysnuorasta nopeasti. Laitteen tulisi käynnistyä 1-2 tempaisulla. Jos laite ei ole käynnistynyt 6 tempaisun jälkeen, toista vaiheet 1-7 kohdasta Kylmän moottorin käynnistäminen.



7.3 Moottorin sammuttaminen

Hätä-Seis-toimintajakso:

Mikäli koneen pysäyttäminen heti on tarpeen, käännä päälle-/pois-katkaisin (9) asentoon „Seis“ tai „0“

Tavallinen toimintajakso:

Päästä kaasuvipu (11) irti ja odota, kunnes moottori on siirtynyt joutokäyntinopeudelle. Käännä sitten päälle-/pois-katkaisin (9) asentoon „Seis“ tai „0“.

7.4 Työskentelyohjeita

Harjoittele ennen laitteen käyttöönottoa sen kaikkia käyttötoimintoja moottorin ollessa sammutettuna.

Varoitus: Ole erityisen varovainen niittäessäsi maata myöten. Pidä sellaisissa töissä aina 30 metrin välimatka itsesi ja muiden henkilöiden tai eläinten välillä.

Leikkauslangan pidentäminen

Varoitus! Älä käytä metallilankaa tai minkäänlaisia muovipinnoitettua metallilankaa lankapuolassa. Tästä saattaa aiheutua vaikeita vammoja käyttäjälle.

Leikkauslangan (13) pidentämistä varten anna moottorin käydä täysillä kierroksilla ja kopauta lankapuolaa maahan. Lanka pitenee automaattisesti. Suojakuvussa oleva leikkuuterä lyhentää langan sallitun mittaiseksi (kuva 9b).

Varo: Poista säännöllisesti kaikki ruohon ja rikkaruohojen jätteet, jotta vältät laitteen ylikuumenemisen. Ruohon-/heinän-/rikkaruohojen jätteet takeruvat kiinni suojakuvun alapuolelle (kuva 9c), tämä estää laitteen riittävän jäähdyttämisen. Poista jätteet varovasti ruuviavaimella tai vastavalla apuvälineellä.

Erlaisia leikkausmenetelmiä

Jos laite on asennettu oikein, niin sillä voi leikata rikkaruohoja ja korkeaa ruohoa vaikeasti tavoitettavista kohdista, kuten aitojen, muurien ja perustusten viereltä tai puiden ympäriltä. Sitä voi käyttää myös „raivaustöihin“ poistamaan kasvillisuutta maata myöten, jotta puutarhan valmistelutyöt helpottuvat tai kun halutaan puhdistaa tietty alue.

Huomaa: Huolellisesta käytöstä huolimatta perustojen, kivien tai betonimuurien yms. vierustan leikkaaminen aiheuttaa tavallista voimakkaamman leikkulangan kulutuksen.

Leikkuu / niittäminen (lankapuolalla / leikkuuterällä)

Heiluta laitetta sirpinkaltaisin liikkein puolelta toiselle. Pidä leikkuutyökälvä aina maanpinnan suuntaisena.

Tarkasta työskentelyalueesi ja määritä haluttu leikkuukorkeus. Ohjaa leikkaustyökälvä pitäen sitä halutulla korkeudella, jotta leikkujäljestä tulee tasainen (kuva 9d).

Matala reunanleikkaus (lankapuolalla)

Pidä laitetta hieman kallistettuna suoraan edessäsi, niin että lankapuolan alasivu on maanpinnan yläpuolella ja lanka osuu oikeaan leikkukohtaan. Leikkaa aina itsestäsi pois päin. Älä vedä laitetta itseesi päin.

Leikkaaminen aidan / perustan viereltä (lankapuolalla)

Lähesty verkkoaitoja, lauta-aitoja, luonnonkivimuureja ja perustoja vain hitaasti, jotta voit leikata niiden läheltä ilman että leikkulanka osuu esteeseen. Jos lanka koskettaa esim. kiviin, kivimuureihin tai perustoihin, niin se kuluu tai rispaantuu. Jos lanka lyö vasten aitaverkkoa, se katkeaa.

Reunanleikkuu puiden ympäriltä (lankapuolalla)

Kun haluat leikata puiden ympäriltä, lähesty niitä hitaasti, jotta lanka ei kosketa parkkiin. Kulje puun ympäri ja varo vahingoittamasta puuta. Lähesty ruohoa tai rikkaruohoja langan kärjellä, ja kallista lankapuolaa hieman eteenpäin.

Niittäminen maata myöten (lankapuolalla)

Poistoniitossa otat koko kasvillisuuden pois maata myöten. Kallista tätä varten lankapuolaa 30 asteen kulmaan oikealle. Säädä kahva haluttuun asentoon (kuva 9e).

Huomio! Käyttäjän, katsojien ja eläinten vakava tapaturmanvaara, sekä esinevahinkojen vaara, poissinkoilevista esineistä (esim. kivistä).

Huomio! Älä poista laitteella mitään esineitä jalkakäytäviltä, poluilta jne.! Bensiinimoottoriviikate on voimakas työkalu, ja pienet kivet tai muut esineet saattavat sinkoutua 15 metrin päähän tai kauemmaksikin ja aiheuttaa vammoja tai autojen, talojen ja ikkunoiden vahingoittumisia.

Sahaaminen

Laite ei sovellu käytettäväksi sahaamiseen.

Kiinnijuttuminen

Jos leikkuutyökalu juuttuu kiinni liian tiheään kasvillisuuden vuoksi, sammuta moottori viipymättä. Poista ruoho ja kasvinvarret laitteesta, ennen kuin jatkat työskentelyä sitä käyttäen.

Takapotkujen välttäminen

Leikkuuterän avulla työskennellessä on vaarana takapotku, jos terä osuu kiinteään esteeseen (puunrunkoon, oksaan, kantaan, kiveen tai vastaavaan). Tällöin laite sinkoutuu takaisinpäin leikkuutyökalun pyörimissuunnan vastaisesti. Tästä voi seurata laitteen hallinnan menettäminen. Älä käytä leikkuuterää aitojen, metallipylväiden, rajakivien tai perustusten lähetyvillä. Ohuiden puuntaimien leikkaamiseksi asettele laite kuten kuvassa 9f näytetään, jotta vältät takapotkun vaaran.

8. Huolto ja varaosatilaus

Sammuta laite aina ennen huoltotoimia ja irrota sytytystulpan pistoke (36).

8.1 Lankapuolan / leikkauslangan vaihto

- Ota lankapuola (13) pois, kuten kohdassa 6.1.6 selitettiin. Paina puolaa kokoon (kuva 12a) ja ota yksi kotelon puolikkaista pois (kuva 12b).
- Ota puolanlautanen (K) pois lankapuolan kotelosta (kuva 12c).
- Ota mahdollisesti vielä jäljellä oleva leikkauslanka pois.
- Paina uusi leikkauslanka keskeltä kaksinkerroin ja ripusta näin syntynyt silmukka puolalautasen aukkoon. (kuva 12d)
- Kelaa lanka kiristäen vastapäivään puolalle. Puolanjakaja erottaa tässä nailonlangan molemmat puolikkaat. (kuva 12e)
- Pingota molempien langanpäiden viimeiset 15 cm vastakkaisiin puolanlautasen langanpidikkeisiin. (kuva 12f)
- Vedä molemmat langanpäät lankapuolakotelossa olevien metallisilmukoiden läpi (kuva 12c).
- Paina puolanlautanen lankapuolan kotelon sisään (kuva 12b).
- Vedä molemmista langanpäistä lyhyesti ja voimakkaasti, jotta langat irtoavat langanpidikkeistä.
- Liitä kotelon puolikkaat jälleen yhteen.
- Leikkaa liian pitkä lanka noin 13 cm mittaiseksi. Tämä vähentää moottorin rasitusta käynnistyksen ja lämmityskäytön aikana.
- Paina lankapuola jälleen paikalleen (katso lukua 6.1.6). Jos koko lankapuola vaihdetaan uuteen, niin kohdat 3-6 jätetään väliin.

8.2 Ilmansuodattimen huolto

Likaantuneet ilmansuodattimet alentavat moottorin tehoa, koska kaasuttimeen tulee liian vähän ilmaa. Säännöllinen tarkastus on tämän vuoksi välttämätöntä. Ilmansuodatin (35) tulee tarkastaa 25 käyttötunnin välein ja puhdistaa tarvittaessa. Jos ilma on hyvin pölyistä, tulee ilmansuodatin tarkastaa useammin.

1. Ota ilmansuodattimen kotelon kansi pois (kuva 10a / nro 8)
2. Ota ilmansuodatin pois (kuvat 10b/10c)
3. Puhdista ilmansuodatin koputtelemalla tai puhaltamalla (paineilmalla).
4. Kokoaminen tehdään päinvastaisessa järjestyksessä.

Huomio: Älä koskaan puhdista ilmansuodatinta bensiinillä tai tulenaroilla liuotteilla.

8.3 Sytytystulpan huolto

Kärkiväli = 0,6 mm (niiden elektrodien välimatka, joiden välille sytytyskipinä syntyy). Kiristä sytytystulppa 12 - 15 Nm momentilla käyttäen momenttiavainta (saatavana alan liikkeistä). Tarkasta sytytystulpan puhtaus ensi kerran 10 käyttötunnin jälkeen ja puhdista se tarvittaessa kuparilankaharjalla.

Huolla sen jälkeen sytytystulppa aina 50 käyttötunnin välein.

1. Ota suojus (kuva 10c / nro 31) irti ruuvia vainta käyttäen.
2. Vedä sytytystulpan pistoke (kuva 11a / nro 36) irti.
3. Ota sytytystulppa pois (kuva 11b) mukana toimitetulla sytytystulpan avaimella (27).
4. Kokoaminen tehdään päinvastaisessa järjestyksessä.

8.4 Suojakuvussa olevan terän teroitus

Suojakuvun leikkuuterä (kuva 7a/kohta F) saattaa tylsistyä ajan myötä. Jos huomaat näin tapahtuneen, irroita ne 2 ruuvia, joilla suojakuvun leikkuuterä on kiinnitetty suojakuppuun. Kiinnitä terä ruuvipenkkiin. Teroita terä hiomalla sitä laakella viilalla ja huolehdi siitä, että leikkausreunan kulma säilyy entisellään. Viilaa vain yhteen suuntaan.

8.5 Kaasuttimen säädöt

Huomio: Kaasuttimen säädöt saa suorittaa ainoastaan valtuutettu asiakaspalvelu.

Kaikkia kaasuttimeen tehtäviä toimia varten tulee ensin irroittaa ilmansuodattimen kotelon kansi, kuten kuvissa 10a ja 10b näytetään.

Kaasuvaijerin säätö:

Mikäli laitteen suurinta kierroslukua ei ajan mittaan enää saavuteta ja muut luvussa „Häiriönpoisto“ mainitut syyt eivät tule kysymykseen, niin kaasuvaijerin säätö saattaa olla tarpeen.

Tarkasta tätä varten ensin, aukeaako kaasutin kokonaan, kun kaasuvipu painetaan pohjaan. Tämä tapahtuu, kun kaasutinluisti (kuva 13a/kohta F) on täysin avoinna kaasuvivun ollessa pohjaan painettuna. Kuvasta 13a näet oikean säädön. Jos kaasuttimen luisti ei ole täysin avoinna, on jälkimmäinen säätö tarpeen.

Kaasuvaijerin jälkimmäisessä säädössä tulee suorittaa seuraavat toimenpiteet:

- Löysennä vastamutteria (kuva 13b/kohta C) muutamien kierrosten verran.
- Kierrä säätöruuvia (kuva 13a/kohta D) ulospäin, kunnes kaasuttimen luisti on täysin avoinna, kuten kuvassa 13a näytetään, kaasun ollessa pohjaan painettuna.
- Kiristä vastamutteri jälleen.

Joutokäyntikaasun säätö:

Huomio! Joutokäyntikaasu tulee säätää moottorin käyttölämpötilassa.

Jos laite sammuu, kun kaasuvipu päästetään irti, ja kaikki muut luvussa „Häiriönpoisto“ mainitut syyt eivät tule kysymykseen, niin joutokäyntikaasua täytyy säätää. Käänä tätä varten joutokäyntikaasun ruuvia (kuva 13b/kohta E) myötäpäivään, kunnes laite käy joutokäynnillä tasaisesti. Jos joutokäyntikaasu on niin voimakas, että leikkuutyökalu pyörii mukana, niin sitä täytyy vähentää kiertämällä joutokäyntiruuvia vasemmalle niin kauan, kunnes leikkuutyökalu ei enää pyöri mukana.

8.6 Vaihteiston rasvaaminen

Lisää aina 20 käyttötunnin jälkeen hieman juoksevaa vaihteistorasvaa (n. 10 g). Avaa tätä varten ruuvi H (kuva 7c).

8.7 Ympäristönsuojelu

Toimita likaantuneet huolto- ja käyttömateriaalit niille tarkoitettuun keräyspisteeseen. Toimita pakkausmateriaalit, metalli ja muovit kierätykseen.

8.8 Varaosatilaus

Varaosatilausta tehtäessä tulee antaa seuraavat tiedot:

- laitteen tyyppi
- laitteen tuotenumero
- laitteen tunnusnumero

Aktuellit hinnat ja muita tietoja löydät verkko-osoitteesta www.isc-gmbh.info

9. Varastointi ja kuljetus

9.1 Varastointi

Varo: Älä koskaan säilytä laitetta pitempään kuin 30 päivän ajan ilman seuraavia toimia.

Laitteen säilytys

Jos panet laitteen säilöön yli 30 päivän ajaksi, täytyy siihen tehdä valmistelutoimet. Muussa tapauksessa kaasuttimessa olevat polttoaineen jäännökset haihtuvat ja jättävät jäljelle kumimaisen sakan.

Tämä saattaa vaikeuttaa käynnistystä ja aiheuttaa kalliita korjauksia.

1. Ota polttoainesäiliön tulppa hitaasti pois, jotta mahdollisesti säiliössä oleva paine voi poistua. Tyhjennä säiliö (6) varovasti.
2. Käynnistä moottori ja anna sen käydä, kunnes se pysähtyy, jotta kaasuttimessa oleva polttoaine käytetään loppuun.
3. Anna moottorin jäähtyä (n. 5 minuuttia).
4. Ota sytytystulppa pois (katso kohta 8.3).
5. Kaada polttokammioon 1 teelusikallinen puhdasta 2-tahtiöljyä. Vedä muutaman kerran hitaasti käynnistysnuorasta, jotta öljy leviää sisäosien pinnoille. Pane sytytystulppa takaisin paikalleen.

Viite: Säilytä laitetta kuivassa tilassa kaukana mahdollisista sytytyslähteistä, kuten esim. uuneista, kaasukäyttöisistä vedenkuumentimista ja kuivaimista, jne.

Uudelleenkäyttöönnotto

1. Ota sytytystulppa pois (katso kohta 8.3).
2. Vedä nopeasti käynnistysnuorasta, jotta liiallinen öljy tulee pois polttokammioista.
3. Puhdista sytytystulppa ja tarkasta, että sytytystulpan kipinäväli on oikea; tai pane tilalle uusi sytytystulppa, jonka kipinäväli on oikea.
4. Valmistele laite käyttöä varten.
5. Täytä säiliö oikealla polttoaineen ja öljyn seoksella. Katso lukua „Polttoaine ja öljy“.

9.2 Kuljetus

Jos haluat kuljettaa laitetta, tyhjennä sitä ennen bensinisäiliö kuten luvussa ”Varastointi” on selitetty. Puhdista laitteesta karkea lika harjalla tai lat-tiharjalla. Pura ohjauskahva ja ohjausvarsi kuten kohdissa 6.1.1 ja 6.1.2 selitetään.

10. Puhdistus

Sammuta laite aina ennen puhdistustoimiin ryhtymistä ja vedä sytytystulpan pistoke irti.

- Laite tulee puhdistaa perusteellisesti joka käytön jälkeen. Erityisesti leikkuutyökalut ja suojakuvut.
- Pidä ilmaraot ja moottorin runko niin puhtaina pölystä ja liasta kuin suinkin mahdollista. Pyyhi laite puhtaalla rievulla tai puhalla lika pois paineilmalla käyttäen alhaista paineasetusta.
- Lian ja ruohon poistaminen on helpointa heti ruohonleikkuun jälkeen.
- Puhdista laite säännöllisin väliajoin kostealla rievulla käyttäen hieman saippuaa. Älä käytä puhdistusaineita tai liuotteita; ne saattavat syövyttää laitteen muoviosia. Huolehdi siitä, ettei laitteen sisälle pääse vettä.



11. Käytöstäpoisto ja uusiokäyttö

Laite on pakattu kuljetuspakkaukseen, jotta vältetään kuljetusvauriot. Tämä pakkaus on raaka-ainetta ja sitä voi siksi käyttää uudelleen tai sen voi toimittaa kierrätyksen kautta takaisin raaka-ainekiertoon. Laite ja sen varusteet on valmistettu eri materiaaleista, kuten esim. metallista ja muoveista. Toimita vialliset rakenneosat ongelmajätehävitykseen. Polttoaine ja öljyt saa hävittää vain toimittamalla ne vastaaviin ongelmajätetehävyksisiin. Tiedustele ohjeita alan ammattiliikkeestä tai kunnanhallitukselta!



12. Häiriönpoisto

Häiriö	Mahdollinen syy	Häiriönpoisto
Laite ei käynnisty.	<ul style="list-style-type: none"> - Virheellinen käynnistysmenettely. - Nokinen tai kostea sytytystulppa - Virheellinen kaasuttimen säätö 	<ul style="list-style-type: none"> - Noudata käynnistyksestä annettuja ohjeita - Puhdista sytytystulppa tai pane tilalle uusi. - Mene valtuutettuun asiakaspalveluun tai lähetä
Laite käynnistyy, mutta siinä ei ole täyttä tehoa.	<ul style="list-style-type: none"> - Väärä rikastinvivun (5) asento - Ilmansuodatin (35) likainen - Virheellinen kaasuttimen säätö 	<ul style="list-style-type: none"> - Aseta rikastinvipu asentoon „♦“. - Ilmansuodattimen puhdistus - Mene valtuutettuun asiakaspalveluun tai lähetä laite ISC-GmbH:lle.
Moottori käy epä-säännöllisesti	<ul style="list-style-type: none"> - Väärä sytytystulpan kärkiväli - Virheellinen kaasuttimen säätö 	<ul style="list-style-type: none"> - Puhdista sytytystulppa ja säädä kärkiväli tai pane tilalle uusi sytytystulppa. - Mene valtuutettuun asiakaspalveluun tai lähetä laite ISC-GmbH:lle.
Moottori savuttaa liikaa.	<ul style="list-style-type: none"> - Väärä polttoainesekoitus - Virheellinen kaasuttimen säätö 	<ul style="list-style-type: none"> - Käytä oikeaa polttoainesekoitusta (katso polttoaineen sekoitustaulukkoa) - Mene valtuutettuun asiakaspalveluun tai lähetä laite ISC-GmbH:lle.

13. Standardinmukaisuustodistus

Einhell Germany AG · Wiesenweg 22 · D-94405 Landau/Isar



Konformitätserklärung

D erklärt folgende Konformität gemäß EU-Richtlinie und Normen für Artikel
GB explains the following conformity according to EU directives and norms for the following product
F déclare la conformité suivante selon la directive CE et les normes concernant l'article
I dichiara la seguente conformità secondo la direttiva UE e le norme per l'articolo
NL verklaart de volgende overeenstemming conform EU richtlijn en normen voor het product
E declara la siguiente conformidad a tenor de la directiva y normas de la UE para el artículo
P declara a seguinte conformidade, de acordo com a directiva CE e normas para o artigo
DK atterer følgende overensstemmelse i medfør af EU-direktiv samt standarder for artikel
S förklarar följande överensstämmelse enl. EU-direktiv och standarder för artikeln
FIN vakuuttaa, että tuote täyttää EU-direktiivin ja standardien vaatimukset
EE tõendab toote vastavust EL direktiivile ja standarditele
CZ vydává následující prohlášení o shodě podle směrnice EU a norem pro výrobek
SLO potrjuje sledečo skladnost s smernico EU in standardi za izdelek
SK vydáva nasledujúce prehlásenie o zhode podľa smernice EU a noriem pre výrobok
H a cikkekhez az EU-irányvonal és Normák szerint a következő konformitást jelenti ki

PL deklaruje zgodność wymienionego poniżej artykułu z następującymi normami na podstawie dyrektywy WE.
BG декларира съответното съответствие съгласно Директива на ЕС и норми за артикул
LV paskaidro šādu atbilstību ES direktīvai un standartiem
LT apibūdina šį atitikimą EU reikalavimams ir prekės normoms
RO declară următoarea conformitate conform directivei UE și normelor pentru articolul
GR δηλώνει την ακόλουθη συμμόρφωση σύμφωνα με την Οδηγία ΕΚ και τα πρότυπα για το προϊόν
HR potvrđuje sljedeću uskladenost prema smjernicama EU i normama za artikl
Izjava o sukladnosti za ovaj proizvod dostupna je na internet stranici www.lidl.hr.
BIH potvrđuje sljedeću uskladenost prema smjernicama EU i normama za artikl
RS potvrđuje sledeću uskladenost prema smernicama EZ i normama za artikal
RUS следующим удостоверяется, что следующие продукты соответствуют директивам и нормам ЕС
UKR проголошує про зазначену нижче відповідність виробу директивам та стандартам ЄС на виріб
MK ja izjavuva slednata soobrznost согласно EU-директивата и нормите за артикли
TR Ürünü ile ilgili AB direktifleri ve normlan gereğince aşağıda açıklanan uygunluğu belirtir
N erklærer følgende samsvar i henhold til EU-direktivet og standarder for artikkel
IS Lýsir uppfyllingu EU-reglna og annarra staðla vöru

Benzin-Sense FBS 43 A1 (Florabest)

- | | |
|---|---|
| <input type="checkbox"/> 87/404/EC_2009/105/EC | <input checked="" type="checkbox"/> 2006/42/EC |
| <input type="checkbox"/> 2005/32/EC_2009/125/EC | <input type="checkbox"/> Annex IV
Notified Body:
Notified Body No.:
Reg. No.: |
| <input type="checkbox"/> 2006/95/EC | |
| <input type="checkbox"/> 2006/28/EC | <input checked="" type="checkbox"/> 2000/14/EC_2005/88/EC |
| <input checked="" type="checkbox"/> 2004/108/EC | <input checked="" type="checkbox"/> Annex V |
| <input type="checkbox"/> 2004/22/EC | <input type="checkbox"/> Annex VI
Noise measured: $L_{WA} = 104,7$ dB (A); guaranteed $L_{WA} = 110$ dB (A)
$P = 1,35$ KW; $L/\varnothing =$ cm
Notified Body: |
| <input type="checkbox"/> 1999/5/EC | |
| <input type="checkbox"/> 97/23/EC | <input checked="" type="checkbox"/> 2006/28/EC
Emission No.: e11*97/68SA*2004/26*1181*00 |
| <input type="checkbox"/> 90/396/EC_2009/142/EC | |
| <input type="checkbox"/> 89/686/EC_96/58/EC | |
| <input type="checkbox"/> 2011/65/EC | |

Standard references: EN ISO 11806; EN ISO 14982

Landau/Isar, den 14.02.2012

Weichselgartner/General-Manager

Frank/Product-Management

First CE: 10
 Art.No.: 34.019.92 I.No.: 11011
 Subject to change without notice

Archive-File/Record: NAPR005246
 Documents registrar: Robert Mayn
 Wiesenweg 22, D-94405 Landau/Isar

14. Takuutodistus

Arvoisa asiakas,
tuotteemme läpikäyvät erittäin tiukan laadunvalvontatarkastuksen. Mikäli tämä laite ei kuitenkaan toimi moitteettomasti, valitamme tapahtunutta suuresti ja pyydämme sinua kääntymään teknisen asiakaspalvelumme puoleen käyttäen tässä takuukortissa annettua osoitetta. Voit halutessasi myös ottaa yhteyttä puhelimitse allaolevaan palvelunumeroon. Takuuvaateiden esittämistä koskevat seuraavat säädökset:

1. Nämä takuumääräykset koskevat laajennettuja takuusuurituksia. Ne eivät vaikuta lakimääräisiin takuusuuritusvaateisiin millään tavalla. Takuumme on sinulle maksuton.
2. Takuusuuritus kattaa ainoastaan sellaiset puutteellisuudet, jotka aiheutuvat materiaali- tai valmistusvirheistä, ja se on rajattu ainoastaan näiden puutteellisuuksien korjaamiseen tai laitteen korvaamiseen uudella. Ole hyvä ja ota huomioon, että laitteitamme ei ole suunniteltu ja valmistettu käytettäväksi pienteollisuus-, käsityöläis- tai teollisuustarkoituksiin. Takuusopimusta ei siksi synny, jos laitetta käytetään pienteollisuus-, käsityöläis- tai teollisuustyöpaikoilla tai näihin verrattavissa olevissa toimissa. Takuumme ei myöskään sisällä kuljetusvaurioiden tai sellaisten vaurioiden korvaussuurituksia, jotka ovat aiheutuneet asennusohjeen noudattamatta jättämisestä tai asiantuntemattomasta asennuksesta, käyttöohjeen noudattamatta jättämisestä (esim. liitäntä väärentyypiseen verkkovirtaan), väärinkäytöstä tai virheellisestä käytöstä (esim. laitteen ylikuormittaminen tai hyväksymättömiä työkalujen tai lisävarusteiden käyttäminen), huolto- ja turvallisuusmääräysten noudattamatta jättämisestä, vieraiden esineiden (esim. hiekan, kivien tai pölyjen) pääsystä laitteen sisään, väkivaltaisesta käsittelystä tai ulkopuolisista tekijöistä (esim. putoamisesta aiheutuneet vauriot) sekä käytöstä aiheutuvasta tavallisesta kulumisesta. Tämä koskee erityisesti niitä akkuja, joille me kuitenkin myönnämme 12 kuukauden pituisen takuun. Takuuvaateet raukeavat, jos laitteelle on jo tehty jotain toimenpiteitä.
3. Takuuaika on 3 vuotta ja se alkaa laitteen ostopäivästä. Takuuvaateet tulee esittää ennen takuuajan päättymistä kahden viikon kuluessa siitä, kun olet havainnut vian. Takuuvaateiden esittäminen takuuajan päätyttyä ei ole mahdollista. Laitteen korjaus tai vaihto ei johda takuuajan pitenemiseen tai laitteen tai siihen mahdollisesti asennettujen varaosien takuuajan alkamiseen uudelleen alusta. Tämä koskee myös paikan päällä suoritettuja palveluja.
4. Takuuvaateesi esittämiseksi tulee viallinen laite lähettää postikulut maksettuna allaolevaan osoitteeseen. Ole hyvä ja liitä mukaan alkuperäinen maksukuitti tai muu päiväyksellä varustettu ostotosite. Säilytä tämän vuoksi kassakuitti huolella tositteena! Ole hyvä ja kuvaa valituksen syy meille mahdollisimman tarkoin. Jos takuumme kattaa laitteessa olevan vian, saat korjatun tai uuden laitteen välittömästi takaisin.

Tietyksi korjaamme mielellämme korvausta vastaan myös sellaiset laitteiden viat, jotka eivät kuulu tai eivät enää kuulu takuumme piiriin. Lähetä tätä varten laite tekniseen asiakaspalveluumme allaolevalla osoitteella.

Kauppahuone Harju OY

Myllypuronkatu 2
FIN-33330 Tampere

Tel. 0358 207431330 · Fax 0358 207431320

IAN 72317



Innehållsförteckning

1. Inledning.....	40
2. Säkerhetsanvisningar.....	40
3. Beskrivning av maskinen och leveransomfattning	42
4. Ändamålsenlig användning.....	43
5. Tekniska data.....	44
6. Före användning.....	44
7. Använda maskinen	46
8. Underhåll och reservdelsbeställning	48
9. Förvaring och transport	49
10. Rengöring	50
11. Skrotning och återvinning.....	50
12. Åtgärda störningar.....	51
13. Förklaring om överensstämmelse.....	52
14. Garantibevis.....	53

Eftertryck eller annan duplicering av dokumentation och medföljande underlag för produkterna, även utdrag, är endast tillåtet med uttryckligt tillstånd från iSC GmbH.

Med förbehåll för tekniska ändringar.



1. Inledning

Vi gratulerar dig till ditt köp av denna nya produkt.

Med ditt köp har du bestämt dig för en högvärdig produkt. Bruksanvisningen är en beståndsdel till produkten. Den innehåller viktig information för säkerhet, användning och skrotning. Läs igenom alla användnings- och säkerhetsanvisningar innan du använder produkten. Använd produkten endast enligt beskrivningarna samt till avsedda användningsområden. Se till att samtliga dokument medföljer om produkten ska överlåtas till en annan person.

2. Säkerhetsanvisningar

⚠ Varning!

Läs alla säkerhetsanvisningar och instruktioner. Försummelse vid iakttagandet av säkerhetsanvisningarna och instruktionerna kan förorsaka elstöt, brand och/eller svåra skador.

Förvara alla säkerhetsanvisningar och instruktioner för framtiden.

Säkerhetsanordningar

Innan du kan använda maskinen måste den passande skyddskåpan av plast för drift med kniv eller tråd ha monterats. Skyddskåpan förhindrar att föremål slungas ut i omgivningen. Kniven som är integrerad i skyddskåpan kortar av trimmertråden automatiskt till optimal längd.

Förklaring av skyltarna på maskinen (bild 14)

1. Varning!
2. Läs igenom bruksanvisningen före användning!
3. Bär huvud-, ögon- och hörselskydd!
4. Bär fasta skor!
5. Bär skyddshandskar!
6. Skydda maskinen mot regn och väta!
7. Var uppmärksam på delar som slungas ut!
8. Slå ifrån maskinen och dra av tändstiftskon-takten inför underhåll!
9. Avståndet mellan maskinen och personer i närheten ska uppgå till minst 15 m!

10. Skärverkytget (röjkniv/trimmertråden) fortsätter att rotera!
11. Varning! Heta delar. Håll tillräckligt avstånd!
12. Fyll på en aning fett var 20:e driftimme (flytande växelfett)!

Säkerhetsanvisningar

- Läs igenom bruksanvisningen noggrant. Ta reda på hur inställningarna fungerar och hur maskinen ska användas på rätt sätt.
- Låt aldrig personer som inte har läst igenom bruksanvisningen använda maskinen. Beakta regionala bestämmelser angående minsta tillåtna ålder för användning av maskinen.
- Använd aldrig maskinen medan personer, särskilt barn, eller djur vistas i närheten.

Varning:

Se till att säkerhetsavståndet är minst 15 m.

Om en person närmar sig måste du genast slå ifrån maskinen. Tänk på att användaren av maskinen är ansvarig om andra personer eller deras egendom kommer till skada.

- Varning! Risk för förgiftning. Avgaser, bränsle och smörjmedel är giftiga. Andas inte in avgaser.

Innan du använder maskinen

- Bär alltid kraftiga skor och långa byxor medan du klipper. Jobba aldrig barfota eller i lätta sandaler.
- Kontrollera gräsmattan i förväg där du ska använda maskinen och ta bort alla föremål som kan slungas iväg av maskinen.
- Varning: Bensin är extremt brandfarligt:
 - Förvara alltid bensin i härför avsedda behållare.
 - Tanka maskinen endast utomhus och rök inte medan du fyller på.
 - Fyll på bensin innan du slår på motorn. Medan motorn kör eller om maskinen är het får tanklocket inte öppnas eller bensin fyllas på.
 - Om bensin har runnit över är det inte tillåtet att starta motorn. Rengör i stället maskinens alla ytor som har smutsats ned av bensin. Undvik att slå på motorn tills alla bensinångor har avdunstat helt.
 - Av säkerhetsskäl måste bensintanken och tanklocken bytas ut om de har skadats.

- Byt ut defekta ljuddämpare.
- Innan du använder maskinen måste du kontrollera optiskt om kniven, fästbultarna eller den kompletta klippanordningen är sliten eller skadad. För att undvika obalans får en sliten eller skadad kniv och fästbultar endast bytas ut satsvis.

Hantering (användning, förvaring, kontroll)

- Bär åtsittande arbetskläder som ger tillräckligt skydd, t ex långa byxor, säkra arbetskor, grova arbetshandskar, en skyddshjälm, en skyddsmask för ansiktet eller skyddsglasögon för att skydda ögonen samt öronvadd eller annat bullerskydd för att skydda mot buller.
- Förvara maskinen på en säker plats. Öppna bensintanken sakt så att ev. tryck som har bildats i tanklocket kan släppas ut. För att undvika risk för brandfara bör du avlägsna dig minst 3 meter från tankningsplatsen innan du slår på maskinen.
- Slå ifrån maskinen innan du ställer bort den.
- Håll alltid fast maskinen med båda händerna. Tummarna och fingrarna ska sluta sig runt om handtagen.
- Se till att skruvarna och kopplingsdelarna har dragits åt hårt. Använd aldrig maskinen om den inte är rätt inställd eller om den inte har satts samman komplett eller säkert.
- Se till att handtagen är torra och rena och att de inte har smutsats ned av bensin.
- Gå med trådspolen på avsedd höjd. Undvik att röra vid små föremål (t ex stenar) med trådspolen.
- När du använder maskinen på sluttande underlag måste du alltid stå lägre än skärverktyget. Trimma eller klipp aldrig på hala backar eller slänter.
- Se till att trådspolen inte befinner sig i närheten av alla kroppsdelar eller dina kläder när du startar motorn eller använder maskinen. Innan du startar motorn måste du kontrollera att trådspolen inte kommer i närheten av ett hinder.
- Slå alltid ifrån motorn innan du utför arbeten på skäranordningen.
- Förvara maskinen och dess tillbehör på ett

säkert ställe, skyddat mot öppna lågor och värme-/gnistkällor som t ex gasdrivna genomströmningsapparater, tvättorkar, oljespisar eller bärbara radiatorer.

- Se till att skyddskåpan, trådspolen och motorn alltid är fria från gräsrester innan maskinen ställs unden för förvaring.
- Endast vuxna personer som är tillräckligt utbildade får använda, ställa in och underhålla maskinen.
- Om du inte känner till hur maskinen fungerar måste du öva med maskinen medan motorn är frånslagen.
- Kontrollera alltid terrängen innan du använder maskinen. Fasta föremål som metalldelar, flaskor, stenar eller liknande kan slungas ut och förorsaka allvarliga skador på användaren samt skada maskinen permanent. Om du av misstag har stött emot ett fast föremål med maskinen, slå genast ifrån motorn och se efter om maskinen har skadats. Använd aldrig maskinen om den är skadad eller uppvisar brister.
- Trimma och klipp alltid med högt varvtal. Låt inte maskinen köra med lågt varvtal när du börjar klippa eller när du trimmar.
- Använd maskinen endast till avsett syfte, dvs. trimning och klippning av ogräs.
- Håll aldrig trådspolen högre än knähöjd när maskinen är igång.
- Använd inte maskinen om åskådare eller djur befinner sig i närheten. Se till att avståndet till andra personer eller djur uppgår till minst 15 m medan du använder maskinen. Medan du klipper ned till marken måste avståndet vara minst 30 m.

Extra instruktioner

- Använd inget annat bränsle än det som rekommenderas i bruksanvisningen. Följ alltid anvisningarna i kapitlet „Bränsle och olja“ i denna bruksanvisning. Använd ingen bensin som har blandats felaktigt med tvåtaktsmotorolja. I annat fall finns det risk för varaktiga skador på motorn, vilket innebär att garantin slutar att gälla.
- Rök ej medan du tankar eller använder maskinen.

- Använd inte maskinen utan avgasrör.
- Rör inte vid avgasröret, varken med händerna eller kroppen. Håll maskinen så att tummarna och övriga fingrar sluter sig runt handtagen.
- Stå bekvämt när du använder maskinen. Se alltid till att du håller balansen och håll inte maskinen med utsträckta armar eller endast med en hand. Håll alltid maskinen med båda händerna och se till att tummarna och fingrarna sluter sig runt handtagen.
- Håll alltid trådspolen mot marken när maskinen är igång.
- Använd maskinen endast till avsett syfte, dvs. trimning och gräsklippning.
- Använd inte maskinen under för lång tid, och lägg in regelbundna pauser.
- Använd inte maskinen om du är påverkad av alkohol eller droger.
- Använd endast maskinen om föreskriven skyddskåpa har installerats och befinner sig i fullgott skick.
- Alla slags förändringar på produkten kan riskera din personliga säkerhet och innebär att tillverkarens garanti upphör att gälla.
- Använd aldrig maskinen i närheten av mycket brandfarliga vätskor eller gaser, varken utomhus eller i stängda rum. Risk för explosion och/eller brand.
- Använd inga andra skärverktyg. För din egen säkerhet ska du endast använda tillbehör och tillsatsutrustning som anges i bruksanvisningen eller som har rekommenderats eller angetts av tillverkaren. Om annan tillsatsutrustning eller tillbehör används än de som rekommenderas i bruksanvisningen finns det risk för att du skadas.

Säkerhetsåtgärder vid hantering med röjkniven

- Följ alla varningar och instruktioner om drift och montering av kniven.
- Det finns risk för att röjkniven ryckartigt slungas iväg av föremål som inte kan skäras igenom av kniven. Detta kan leda till skador på armar eller ben. Se till att personer i närheten samt djur håller sig på minst 15 m avstånd från arbetsplatsen i alla riktningar. Om maskinen stöter på främmande föremål, måste du

genast stoppa motorn och vänta tills röjkniven stannat. Kontrollera om röjkniven har skadats. Byt alltid ut röjkniven om den har böjts eller har spruckit.

- Föremål slungas iväg kraftigt av röjkniven. Detta kan leda till att personer blir blinda eller skadas på annat sätt. Bär ögon-, ansikts- och benskydd. Ta alltid bort främmande föremål från arbetsområdet innan du använder röjkniven.
- Före användning måste maskinen och dess monterade anordningar kontrolleras noggrant på ev. skador. Använd endast maskinen om knivens anordningar har installerats korrekt.
- Röjkniven efterroterar efter att gasreglaget har släppts. Det finns risk för att en röjkniv som varvar ner förorsakar skärskador på dig eller andra personer i närheten. Innan du gör några som helst arbeten på röjkniven, slå ifrån motorn och kontrollera att kniven har stannat helt.
- Farozon med 15 meters diameter. Det finns risk för att personer i närheten blir blinda eller skadas på annat sätt. Se alltid till att ett avstånd på minst 15 meter finns i alla riktningar mellan dig själv och andra personer eller djur.

3. Beskrivning av maskinen och leveransomfattning

3.1 Beskrivning av maskinen (bild 1-13)

1. Kopplingsdel till stången
2. Stång
3. Styrhandtag
4. Startsnöre
5. Chokereglage
6. Bensintank
7. Bränslepump (primer)
8. Lock till lufffilterkåpa
9. Strömbrytare
10. Fixering till gasreglage
11. Gasreglage
12. Spärr till gasreglage
13. Trådspole med trimmertråd
14. Skyddskåpa för trimmertråd
15. Skyddskåpa för röjkniv



16. 4 st skruvar M5
17. Bärsele
- 18a. Rökkniv (4 tänder)
- 18b. Rökkniv (3 tänder)
19. Hållare till styrhandtag
20. Stjärnvred M8
21. Distansbricka Ø 8 mm
22. Medtagarbricka
23. Tryckplatta
24. Skydd till tryckplatta
25. Mutter M10 (vänstergängad)
26. Blandningsflaska för olja/bensin
27. Tändstiftsnyckel
28. Gaffelnyckel 8/10 mm
29. Sexkantnyckel 4 mm
30. Sexkantnyckel 5 mm
31. Skyddskåpa för tändstiftskontakt
32. Stjärnvred M6
33. Mutter M6
34. Distansbricka Ø 6 mm
35. Lufffilter
36. Tändstiftskontakt

I texten sammanfattas rökkniv (18a/18b) och trådspole (13) som skärverktyg (som överbe-grepp).

3.2 Leveransomfattning

- Öppna förpackningen och ta försiktigt ut produkten ur förpackningen.
- Ta bort förpackningsmaterialet samt förpacknings- och transportsäkringar (om förhanden).
- Kontrollera att leveransen är komplett.
- Kontrollera om produkten eller tillbehörsdelen har skadats i transporten.
- Spara om möjligt på förpackningen tills garantitiden har gått ut.

Varning!

Produkten och förpackningsmaterialet är ingen leksak! Barn får inte leka med plastpåsar, folie eller smådelar! Risk för att barn sväljer delar och kvävs!

4. Ändamålsenlig användning

Maskinen (användning av rökkniven) är lämplig för trimning av högt gräs och mindre sly med 4-tands-kniven, och för tjockt sly och mindre buskar med 3-tands-kniven.

Maskinen (när trådspolen med trimmertråden används) är lämplig för att trimma gräsmattor och mindre ogräs. En förutsättning för ändamålsenlig användning av maskinen är att tillverkarens bruksanvisning beaktas. All annan användning som inte uttryckligen anges i denna bruksanvisning kan leda till skador på maskinen och innebära att användaren utsätts för stora risker. Beakta tvunget begränsningarna som anges i säkerhetsanvisningarna.

Tänk på att våra produkter endast får användas till ändamålsenligt syfte och inte har konstruerats för kommersiell, hantverksmässig eller industriell användning. Vi ger därför ingen garanti om maskinen används inom yrkesmässiga, hantverksmässiga eller industriella verksamheter eller vid liknande aktiviteter.

Obs! På grund av olycksrisken för användaren får maskinen inte användas till följande arbeten: Rengöring av gångar och som kompostkvarn för finfördelning av kvistar och grenar från träd och häckar. Dessutom får maskinen inte användas till att plana ut ojämnheter i marken, t ex mullvadshögar. Av säkerhetsskäl får maskinen inte användas som drivaggregat för andra arbetsverktyg eller verktygssatser av olika slag.

Maskinen får endast användas till sitt avsedda ändamål. Användningar som sträcker sig utöver detta användningsområde är ej ändamålsenliga. För materialskador eller personskador som resulterar av sådan användning ansvarar användaren/operatören själv. Tillverkaren övertar inget ansvar.

5. Tekniska data

Motortyp	Tvåtaktsmotor, luftkyld, kromcylindrar
Motoreffekt (max.)	1,35 kW / 1,8 hk
Cylindervolym	42,7 ccm
Motorns tomgångsvarvtal	3 000 min ⁻¹
Motorns max. varvtal	
med kniv:	9 000 min ⁻¹
med trådspole:	8 400 min ⁻¹
Max. skärhastighet	
med kniv:	6 800 min ⁻¹
med trådspole:	6 300 min ⁻¹
Tändning	elektronisk
Drivning	centrifugalkoppling
Vikt (tom tank)	7,5 kg
Trimmertrådens snittdiameter	41 cm
Skärknivens snittdiameter	23 cm
Trådlängd	8,0 m
Tråddiameter	2,0 mm
Tankvolym	0,8 l
Tändstift	Champion RCJ6Y
Bränsleförbrukning vid	
max. motorbelastning	0,6 kg/h
Specifik bränsleförbrukning vid	
max. motorbelastning	446 g/kWh

Buller och vibration

Ljudtrycksnivå L_{pA}	98 dB(A)
Osäkerhet K_{pA}	1,5 dB
Ljudeffektnivå L_{WA}	110 dB(A)
Osäkerhet K_{WA}	1,5 dB

Bär hörselskydd.

Buller kan leda till att hörseln förstörs.

Använda maskinen

Vibrationsemissionsvärde $a_h = 4,1 \text{ m/s}^2$

Osäkerhet $K = 1,5 \text{ m/s}^2$

Begränsa uppkomsten av buller och vibration till ett minimum!

- Använd endast intakta maskiner.
- Underhåll och rengör maskinen regelbundet.
- Anpassa ditt arbetssätt till maskinen.
- Överbelasta inte maskinen.
- Lämna in maskinen för översyn vid behov.
- Slå ifrån maskinen om den inte används.
- Bär handskar.

6. Före användning

6.1 Montera maskinen

6.1.1 Montera styrhandtaget (bild 3a-3c)

Montera styrhandtaget (3) enligt beskrivningen i bilderna 3a-3c. Dra inte åt skruven (20) förrän du har ställt in optimal arbetsposition med bärselen (17) (se även avsnitt 6.2). Justera in styrhandtaget enligt bild 1. Demontera i omvänd ordningsföljd.

6.1.2 Montera stängen (bild 4a - 4c)

Skjut stjärnvredet (32) genom distansbrickan (34) in i kopplingsdelen till stängen (1). Skruva fast stjärnvredet löst med muttern (33). Tryck in spärrarmen (A) och skjut försiktigt in stängen (bild 4a/pos. 2) i kopplingsdelen till stängen. Kontrollera att drivaxlarna i styrstångens inre glider in i varandra. Vrid runt trådspolen (13) / röjkniven (18a/18b) en aning vid behov. Klacken på spärrarmen (A) måste snäppa in i hålet (B). Dra sedan åt stjärnvredet enligt beskrivningen i bild 4c. Vid demontering är det tillräckligt att lossa på stjärnvredet och dra åt spärrarmen.

6.1.3 Montera skyddskåpan för röjkniven

Obs! Om du använder maskinen med röjsåg måste skyddskåpan (15) för röjsågen först ha monterats.

Montera skyddskåpan för röjkniven enligt beskrivningen i bild 5a-5b.

6.1.4 Montera/byta ut röjkniven

I bild 6a-6g visas hur röjkniven (18a/18b) ska monteras. Demontera i omvänd ordningsföljd.

- Sätt in medtagarbrickan (22) i kuggaxeln enligt beskrivningen i bild 6b.
- Spärra röjkniven (18a/18b) på medtagarbrickan (bild 6c).
- Sätt tryckplattan (23) över kuggaxelns gänga (bild 6d).
- Sätt på skyddet till tryckplattan (24) (bild 6e).
- Ta reda på var borrhålet i medtagarbrickan finns, placera den över skåran som finns undertill och spärra sedan med den medföljande sexkantnyckeln (29). Dra sedan åt muttern (25) med tändstiftsnyckeln (27) (bild 6f/6g).
Obs! Vänstergänga
- Vid leverans skyddas röjknivarna (18a/18b) av plastskydd. Ta av dessa före användning och sätt sedan på dem igen.

6.1.5 Montera skyddskåpan för trimmertråden på skyddskåpan för röjkniven

Obs! Om du använder trimmertråd måste desutom skyddskåpan (14) för trimmertråden vara monterad.

Montera skyddskåpan för trimmertråden enligt beskrivningen i bild 7a-7b. Kontrollera att skyddskåpan för trimmertråden snäpper in rätt. På undersidan av skyddskåpan finns en kniv (bild 7a/pos. F) som kapar tråden automatisk. Denna täcks av ett skydd (bild 7a/pos. G).

Ta av detta skydd innan du använder maskinen och montera tillbaka efter arbetets slut.

6.1.6 Montera/byta ut trådspolen

I bild 7c beskrivs hur trådspolen (13) ska monteras. Demontera i omvänd ordningsföljd. Vid leverans är trådspolen redan monterad.

Ta reda på var borrhålet i medtagarbrickan (22) finns, placera den över skåran som finns undertill och spärra sedan med den medföljande sexkantnyckeln (29). Skruva sedan fast trådspolen på gängan. **Obs!** Vänstergänga

6.2 Ställa in klipphöjden

- Ta på bärselen (17) enligt beskrivningen i bild 8a-8c.
- Häng in maskinen i bärselen (bild 8d).
- Ställ in optimalt arbets- och trimningsläge med olika remspännare (bild 8e).
- Kontrollera den optimala inställningen av bärselens längd genom att svänga maskinen ett par gånger över marken medan motorn fortfarande är fränslagen (bild 9a).

Bärselen är försedd med en snabböppnare. Dra i den röda remmen (bild 8f) om du snabbt måste lägga ned maskinen på marken.

Obs! Använd alltid bärselen när du arbetar med maskinen. Ta alltid på bärselen så snart du startat motorn och den kör i tomgång. Slå ifrån motorn innan du tar av bärselen.

6.3 Bränsle och olja

Rekommenderade bränslen

Använd endast en blandning av blyfri bensin och en speciell tvåtaktsmotorolja.

Tillred bränsleblandningen enligt blandningstabellen.

Obs! Använd inga bränsleblandningar som har lagrats längre än 90 dagar.

Obs! Använd ingen tvåtaktsolja med ett rekommenderat blandningsförhållande på 100:1.

Tillverkarens motorgaranti gäller inte vid motorskador pga otillräcklig smörjning.

Obs! Bränsle får endast transporteras och lagras i härför avsedda och godkända behållare. Mät upp avsedd mängd bensin och tvåtaktsolja i den bifogade blandningsflaskan (se skalan på flaskan). Skaka därefter flaskan ordentligt.

6.4 Blandningstabell för bränsle

Blandningsförhållande: 40 delar bensin på 1 del olja

Bensin	Tvåtaktsolja
1 liter	25 ml
5 liter	125 ml

7. Använda maskinen

Beakta de lokala bullerbestämmelserna. Dessa kan avvika mellan olika orter.

Kontrollera alltid följande innan du använder maskinen:

- att bränslesystemet är tätt
- att skyddsanordningarna och skäranordningen är kompletta samt i fullgott skick
- att samtliga förskruvningar sitter fast
- att samtliga rörliga delar går lätt

7.1 Starta vid kall motor

Fyll på tanken med bensen-/oljeblandning. Se även avsnittet „Bränsle och olja“.

1. Ställ maskinen på en fast och jämn yta.
2. Tryck 10 ggr. på bränslepumpen (primern) (bild 1/pos. 7).
3. Ställ strömbrytaren (bild 1/pos. 9) på „I“.
4. Spärra gasreglaget (bild 1/pos. 11): Tryck in spärren till gasreglaget (bild 1/pos. 12) och tryck sedan in gasreglaget (bild 1/pos. 11). Tryck samtidigt in fixeringen (bild 1/pos. 10) för att fixera gasreglaget.
5. Ställ chokereglaget (bild 1/pos. 5) på „I“.
6. Håll fast maskinen ordentligt och dra ut startsnöret (bild 1/pos. 4) tills du märker av ett motstånd. Dra nu ut startsnöret snabbt fyra gånger. Maskinen ska nu starta.

Obs! Låt inte startsnöret slå tillbaka plötsligt. Detta kan leda till skador.

Obs! Eftersom gasreglaget har spärrats börjar skäranordningen genast att rotera när motorn startar.

Regla sedan upp gasreglaget igen genom att trycka in det. Samtidigt som gasreglaget trycks in regleras chokereglaget upp. (Motorn kör därefter i tomgång).

7. Om motorn inte startar måste du upprepa steg 4-6. Kom ihåg: Om motorn inte startar, fastän du har försökt flera gånger, läs igenom kapitlet „Störningsåtgärder“.
Kom ihåg: Dra alltid startsnöret rakt ut. Om snöret dras ut i vinkel uppstår en friktionsverkan på öglan.

På grund av denna friktion utsätts startsnöret för slitage vilket innebär att det slits ned snabbare.

Håll alltid i starthandtaget när snöret dras tillbaka in i maskinen.

Låt aldrig startsnöret snärta tillbaka när du har dragit det.

7.2 Starta vid varm motor

(Maskinen har slagits ifrån för max. 15-20 minuter sedan)

1. Ställ maskinen på en fast och jämn yta.
2. Ställ strömbrytaren på „I“ (bild 1/pos. 9).
3. Spärra gasreglaget (bild 1/pos. 11) (på samma sätt som vid „Starta vid kall motor“).
4. Håll fast maskinen ordentligt och dra ut startsnöret tills du märker av ett motstånd. Dra nu ut startsnöret snabbt. Efter 1-2 drag ska maskinen starta. Om maskinen inte har startat efter sex drag måste du upprepa steg 1-7 under „Starta vid kall motor“.

7.3 Slå ifrån motorn

Arbetsföljd vid nödstopp

Ställ strömbrytaren (9) på „Stopp“ resp. „0“ om du måste stoppa maskinen genast.

Normal arbetsföljd

Släpp gasreglaget (11) och vänta tills motorn kör i tomgångsvarvtal. Ställ därefter strömbrytaren (9) på „Stopp“ resp. „0“.

7.4 Arbetsanvisningar

Innan du använder maskinen ska du gå igenom och öva alla arbetsmetoder medan motorn är frånslagen.

Varning: Var mycket försiktig när du klipper. Se alltid till att avståndet mellan dig själv och andra personer, inkl. djur, uppgår till minst 30 meter.



Förlänga trimmertråden

Varning! Använd ingen metalltråd eller plastöverdragen metalltråd av något som helst slag i trådspolen. Sådana trådtyper kan leda till att användaren skadas allvarligt.

För att förlänga trimmertråden (13) måste du låta motorn köra på fullgas och samtidigt trycka ned tråd huvudet mot marken. Tråden förlängs automatiskt. Kniven på skyddskåpan kortar av tråden till avsedd längd (bild 9b).

Obs! Ta regelbundet bort alla gräs- och ogräsrester för att undvika att maskinen överhettas. Rester av gräs och ogräs fastnar under skyddskåpan (bild 9c) och förhindrar att maskinen kyls ned i tillräcklig mån. Ta bort resterna försiktigt med en skruvmejsel eller ett liknande verktyg.

Olika slags trimnings sätt

Om maskinen har monterats rätt kan den användas till att trimma bort ogräs och högt gräs vid svåråtkomliga ställen, t ex längs staket, murar och fundament samt runt om träd. Maskinen kan även användas till „klippning“ för att ta bort vegetation som förberedelse om du vill anlägga en trädgård. Denna metod kan även användas om du vill trimma rent på en yta.

Kom ihåg: Även om du använder maskinen försiktigt innebär trimning längs fundament, sten- eller betongmurar osv. att tråden slits ned snabbare än normalt.

Trimma / klippa (med trådspole/röjkniv)

Sväng maskinen från ena sidan till den andra som en lie. Håll alltid skärverktyget parallellt mot marken. Kontrollera terrängen och bestäm avsedd trimningshöjd. Styr och håll skärverktyget på avsedd höjd så att du uppnår en jämn snittbild (bild 9d).

Låg trimning (med trådspole)

Luta maskinen en aning framför dig så att trådspolens undersida befinner sig över marken och tråden träffar rätt snittställe. Trimma alltid bort ifrån dig. För inte maskinen mot dig.

Trimma vid staket / fundament (med trådspole)

Gå långsamt fram med trimmern mot hönsnät, staket av plank, murar av natursten och fundament utan att tråden slår emot hindret. Om tråden slår emot t ex stenar, stenmurar eller fundament, kommer den att slitas ner eller fransa sig. Tråden går av om den slår emot nät.

Trimma runt om träd (med trådspole)

När du ska trimma runt omkring träd måste du närma dig långsamt så att tråden inte slår emot stammen. Gå runt om trädet och se till att trädet inte skadas. För trådens spets fram till gräset eller ogräset och luta sedan trådspolen en aning framåt.

Skära vegetation (med trådspole)

Skärning innebär att du trimmar bort all vegetation ned till marken. Luta trådspolen med 30 graders vinkel åt höger. Ställ in handtaget i önskat läge (bild 9e).

Obs! Denna trimningsmetod innebär större fara för användaren, personer i närheten och djur, samt att det finns risk för materiella skador om objekt (t ex stenar) slungas iväg.

Obs! Använd inte maskinen till att ta bort föremål från gångstigar och liknande.

Den bensindrivna trimmern är en stark maskin och små stenar eller andra föremål kan utan vidare slungas iväg 15 meter eller längre. Därigenom finns det risk för personskador och skador på bilar, byggnader och fönster.

Såga

Maskinen är inte avsedd för sågning.

Blockerat verktyg

Om skärverktyget blockerats pga. alltför tät vegetation måste du genast slå ifrån motorn. Ta bort gräs och ogräs från maskinen innan du tar den i drift på nytt.

Förhindra rekyler

När du använder röjkniven finns det risk för rekyler om den slår emot fasta hinder (trädstammar, grenar, trädstubbar, stenar eller liknande). Maskinen slungas tillbaka i motsatt riktning mot skärverktygets rotationsriktning. Detta kan leda till att du förlorar kontrollen över maskinen. Använd aldrig röjkniven i närheten av staket, metallstolpar, gränsstenar eller fundament.

Om mindre buskar ska skäras, positionera maskinen enligt beskrivningen i bild 9f för att undvika rekyler.

8. Underhåll och reservdelsbeställning

Slå alltid ifrån maskinen och dra av tändstiftskontakten (36) innan du utför underhåll.

8.1 Byta ut trådspole / trimmertråd

1. Demontera trådspolen (13) enligt beskrivningen i avsnitt 6.1.6. Tryck samman spolen (bild 12a) och ta av den ena halvan (bild 12b).
2. Ta ut spoltallriken (K) ur trådspolens kåpa (bild 12c).
3. Ta bort ev. rester av trimmertråd.
4. Lägg in den nya trimmertråden i mitten och lägg sedan in öglan i spåret på spoltallriken (bild 12d).
5. Håll tråden sträckt och linda upp den i motsols riktning. Spoldelaren skiljer åt nylontrådens båda ändar (bild 12e).
6. Haka in de sista 15 cm på de båda trådändarna i passande trådhållare på spoltallriken (bild 12f).
7. För in de båda trådändarna genom metallöglorna i trådspolens kåpa (bild 12c).
8. Tryck in spoltallriken i trådspolens kåpa (bild 12b).
9. Dra ut de båda trådändarna kort och kraftigt så att de lossnar från trådhållaren.
10. Foga samman kåpans båda hälften igen.
11. Skär av ev. överflödigt tråd tills ungefär 13 cm är kvar. Detta sänker belastningen på motorn under uppstart och uppvärmning.
12. Montera trådspolen igen (se avsnitt 6.1.6).
Om den kompletta trådspolen byts ut kan du

hoppa över punkt 3-6.

8.2 Underhålla luftfiltret

Smutsiga luftfilter försämrar motorprestandan eftersom luftmatningen till förgasaren reduceras. Kontrollera filtret med jämna mellanrum. Luftfiltret (35) bör kontrolleras var 25:e driftimme och rengöras vid behov. Kontrollera luftfiltret ofta om luften är mycket dammig.

1. Ta av locket till luftfilterkåpan (bild 10a / pos. 8).
2. Ta ut luftfiltret (bild 10b/10c).
3. Rengör luftfiltret genom att slå ur det eller blåsa rent (med tryckluft).
4. Montera samman i omvänd ordningsföljd.

Obs! Rengör aldrig luftfiltret med bensin eller brännbara lösningsmedel.

8.3 Underhålla tändstiftet

Elektroavstånd = 0,6 mm (avstånd mellan elektroderna där tändningsgnistan uppstår). Dra åt tändstiftet med 12 till 15 Nm med en momentnyckel (finns i specialbutiker). Kontrollera om tändstiftet är smutsigt för första gången efter 10 driftimmor. Rengör det vid behov med en trådborste av koppar.

Utför därefter underhåll på tändstiftet var 50:e driftimme.

1. Demontera skyddskåpan (bild 10c/pos. 31) med en skruvmejsel.
2. Dra av tändstiftskontakten (bild 11a/pos. 36).
3. Skruva ut tändstiftet (bild 11b) med den bifogade tändstiftsnyckeln (27).
4. Montera samman i omvänd ordningsföljd.

8.4 Slipa kniven i skyddskåpan

Det är möjligt att kniven i skyddskåpan (bild 7a/pos. F) blir trubbig efter en viss tids användning. Om detta skulle bli aktuellt, lossa på de två skruvarna som håller fast kniven vid skyddskåpan. Spänn fast kniven i ett skruvstöd. Slipa kniven med en platt fil och se till att du inte ändrar på knivens snittkant. Fila endast i en riktning.

8.5 Förgasarinställningar

Obs! Endast personal från behörig kundtjänst får utföra inställningar på förgasaren.

Inför alla arbeten på förgasaren måste locket till luftfilterhuset först demonteras, se beskrivningen i bild 10a och 10b.

Ställa in gasvajern

Om maskinens maximala varvtal inte längre kan uppnås och samtliga andra orsaker som anges i kapitel „Störningsåtgärder“ kan uteslutas, kan det vara nödvändigt att ställa in gasvajern.

Kontrollera först om förgasaren öppnas helt när gasreglaget trycks ända in. Detta är fallet om förgasarspjället (bild 13a/pos. F) är helt öppet vid fullt gaspådrag.

I bild 13a visas rätt inställning. Om förgasarspjället inte är helt öppet måste vajern justeras in.

Följande arbetssteg krävs för att justera in gasvajern:

- Lossa på kontramuttern (bild 13b/pos. C) med ett par varv.
- Skruva ut justerskruven (bild 13b/pos. D) så att förgasarspjället är helt öppet, se bild 13a, när gasreglaget trycks ända in.
- Dra sedan åt kontramuttern på nytt.

Ställa in tomgångsgas

Obs! Ställ in tomgångsgas medan maskinen är driftvarm.

Om maskinen stannar medan gasreglaget inte trycks in och samtliga andra orsaker som anges i kapitel „Störningsåtgärder“ kan uteslutas, kan det vara nödvändigt att justera in tomgångsgasen.

Vrid runt skruven till tomgångsgas (bild 13b/pos. E) i medsols riktning tills maskinen kör säkert i tomgång. Om tomgångsgasen är så pass hög att skärverktyget roterar, måste tomgångsgasen reduceras genom att skruven vrids åt vänster tills skärverktyget står stilla.

8.6 Smörja in växeln

Fyll på en aning flytande växelfett var 20:e drifttimme (ca 10 g). Öppna skruven H först (bild 7c).

8.7 Miljöskydd

Lämna in nedsmutsat underhållsmaterial och driftvätskor till ett godkänt insamlingsställe.

Lämna in förpackningsmaterial, metaller och plaster för återvinning.

8.8 Reservdelsbeställning

Ange följande information när du beställer reservdelar:

- Produkttyp
- Produktens artikelnummer
- Produktens ID-nr.

Aktuella priser och ytterligare information finns på www.iscgmbh.info
www.isc-gmbh.info

9. Förvaring och transport

9.1 Förvaring

Obs! Om maskinen ska förvaras under längre tid än 30 dagar måste följande arbeten utföras.

Förvara maskinen

Maskinen måste förberedas om den ska förvaras längre tid än 30 dagar. I annat fall kommer resterande bränsle som finns i förgasaren att avdunsta och lämna kvar en gummiliknande bottensats. Detta kan göra det svårt att starta maskinen och leda till att maskinen måste repareras.

1. Ta försiktigt av locket till bränsletanken för att släppa ut ev. tryck från tanken. Töm tanken (6) försiktigt.
2. Starta motorn och låt den köra tills den stannar. Därmed har förgasaren tömts på bränsle.
3. Låt motorn svalna (ca 5 minuter).
4. Skruva ut tändstiftet (se 8.3).
5. Fyll på en tesked ren tvåtaktsolja i förbränningskammaren. Dra ut startsnöret långsamt flera gånger för att maskinens inre komponenter ska smörjas in med olja. Sätt i tändstiftet på nytt.

Obs! Förvara maskinen på en torr plats och långt bort från ev. tändkällor, t ex kaminer, gasdrivna varmvattenberedare, gastorkare.



Ta maskinen i drift på nytt

1. Skruva ut tändstiftet (se 8.3).
2. Dra ut startsnöret snabbt för att få ut överflödiga olja ur förbränningskammaren.
3. Rengör tändstiftet och kontrollera elektrodavståndet, eller sätt i ett nytt tändstift som uppvisar rätt avstånd.
4. Förbered maskinen för användning.
5. Fyll på tanken med rätt bränsle-/oljeblandning. Se avsnitt „Bränsle och olja“.

9.2 Transport

Om du vill transportera maskinen måste du först tömma bensintanken enligt beskrivningen i avsnittet „Förvaring“. Ta bort smuts från maskinen med en kvast eller en handborste. Demontera styrhandtaget och stången enligt beskrivningen under avsnitt 6.1.1 och 6.1.2.

10. Rengöring

Slå alltid ifrån maskinen innan den ska rengöras. Dra av tändstiftskontakten.

- Rengör maskinen noggrant varje gång efter att den använts. Detta gäller särskilt för skärverktyget och skyddskåporna.
- Håll ventilationsöppningarna och motorkåpan i så damm- och smutsfritt skick som möjligt. Torka av maskinen med en ren duk eller blås av den med tryckluft med svagt tryck.
- Smuts och gräs kan lättast tas bort direkt efter att du klippt gräs.
- Rengör maskinen med jämna mellanrum med en fuktig duk och en aning såpa. Använd inga rengörings- eller lösningsmedel. Dessa kan skada maskinens plastdelar. Se till att inga vätskor tränger in i maskinens inre.

11. Skrotning och återvinning

Produkten ligger i en förpackning som fungerar som skydd mot transportskador. Denna förpackning består av olika material som kan återvinnas. Lämna in förpackningen till ett insamlingsställe för återvinning. Produkten och tillbehören består av olika material som till exempel metaller och plaster. Lämna in defekta komponenter till ett godkänt insamlingsställe i din kommun. Hör efter med din kommun eller med försäljaren i din specialbutik.

12. Åtgärda störningar

Störning	Möjlig orsak	Störningsåtgärder
Maskinen startar inte.	<ul style="list-style-type: none"> - Maskinen har startats felaktigt - Sotigt eller fuktigt tändstift. - Förgasaren är felaktigt inställd. 	<ul style="list-style-type: none"> - Följ instruktionerna för start. - Rengör tändstiftet eller byt ut det mot ett nytt. - Kontakta behörig kundtjänst eller skicka in maskinen till ISC GmbH.
Maskinen startar, men avger inte full effekt.	<ul style="list-style-type: none"> - Chokereglaget (5) är felaktigt inställt. - Luftfiltret är smutsigt (35). - Förgasaren är felaktigt inställd. 	<ul style="list-style-type: none"> - Ställ chokereglaget på „♦“. - Rengör luftfiltret. - Kontakta behörig kundtjänst eller skicka in maskinen till ISC GmbH.
Motorn kör ryckigt.	<ul style="list-style-type: none"> - Felaktigt elektrod-avstånd i tändstiftet. - Förgasaren är felaktigt inställd. 	<ul style="list-style-type: none"> - Rengör tändstiftet och ställ in elektrodavståndet, eller sätt in ett nytt tändstift. - Kontakta behörig kundtjänst eller skicka in maskinen till ISC GmbH.
Motorn avger ovanligt mycket rök.	<ul style="list-style-type: none"> - Felaktig bränsle-blandning. - Förgasaren är felaktigt inställd. 	<ul style="list-style-type: none"> - Använd rätt bränsleblandning (se blandningstabellen) - Kontakta behörig kundtjänst eller skicka in maskinen till ISC GmbH.

13. Förklaring om överensstämmelse

Einhell Germany AG · Wiesenweg 22 · D-94405 Landau/Isar



Konformitätserklaring

- D** erklart folgende Konformitat gema EU-Richtlinie und Normen fur Artikel
- GB** explains the following conformity according to EU directives and norms for the following product
- F** dclare la conformit suivante selon la directive CE et les normes concernant l'article
- I** dichiara la seguente conformit secondo la direttiva UE e le norme per l'articolo
- NL** verklaart de volgende overeenstemming conform EU richtlijn en normen voor het product
- E** declara la siguiente conformidad a tenor de la directiva y normas de la UE para el artculo
- P** declara a seguinte conformidade, de acordo com a directiva CE e normas para o artigo
- DK** attesterer folgende verensstmmelse i medfr af EU-direktiv samt standarder for artikel
- S** frklarar fljande verensstmmelse enl. EU-direktiv och standarder fr artikeln
- FIN** vakuuttaa, ett tuote tytt EU-direktiivin ja standardien vaatimukset
- EE** tendab toote vastavust EL direktiivile ja standarditele
- CZ** vydv nsledujc prohlsen o shod podle smrnice EU a norem pro vrobek
- SLO** potrjuje sledeo skladnost s smernico EU in standardi za izdelek
- SK** vydv nsledujce prehlsenie o zhode podl'a smernice EU a noriem pre vrobok
- H** a cikkhez az EU-irnyvonal s Normk szerint a kvetkez konformitst jelenti ki
- PL** deklaruje zgodnoc wymienionego ponizej artykuu z nastpujcymi normami na podstawie dyrektywy WE.
- BG** декларира съответното съответствие съгласно Директива на ЕС и норми за артикул
- LV** paskaidro šdu atbilstību ES direktīvai un standartiem
- LT** apibūdina š atitikim EU reikalavimams ir preks normoms
- RO** declar urmtoarea conformitate conform directivei UE i normelor pentru articolul
- GR** dhlnei tn aklouθη συμμόρφωση σύμφωνα με tn Οδηγία ΕΚ και τα πρότυπα για το προϊόν
- HR** potvrđuje sljedeu uskladenost prema smjernicama EU i normama za artikl
- Izjava o sukladnosti za ovaj proizvod dostupna je na internet stranici www.lidl.hr.
- BIH** potvrđuje sljedeu uskladenost prema smjernicama EU i normama za artikl
- RS** potvrđuje sledeu uskladenost prema smernicama EZ i normama za artikal
- RUS** следующим удостоверяется, что следующие продукты соответствуют директивам и нормам ЕС
- UKR** проголошує про зазначену нижче вдповднсть виробу директивам та стандартам ЄС на вирб
- MK** ja izjavuwa slednata soobrznost согласно EU-директивата и нормите за артикли
- TR** Ürün ile ilgili AB direktifleri ve normlan gereğince aağda aıklanan uygunluęu belirtir
- N** erklerer følgende samsvar i henhold til EU-direktivet og standarder for artikkel
- IS** Lsyr uppfyllingu EU-reglna og annarra staðla vru

Benzin-Sense FBS 43 A1 (Florabest)

- 87/404/EC_2009/105/EC
- 2005/32/EC_2009/125/EC
- 2006/95/EC
- 2006/28/EC
- 2004/108/EC
- 2004/22/EC
- 1999/5/EC
- 97/23/EC
- 90/396/EC_2009/142/EC
- 89/686/EC_96/58/EC
- 2011/65/EC
- 2006/42/EC
- Annex IV
Notified Body:
Notified Body No.:
Reg. No.:
- 2000/14/EC_2005/88/EC
- Annex V
- Annex VI
Noise measured: $L_{WA} = 104,7$ dB (A); guaranteed $L_{WA} = 110$ dB (A)
 $P = 1,35$ KW; $L/\varnothing =$ cm
Notified Body:
- 2006/28/EC
Emission No.: e11*97/68SA*2004/26*1181*00

Standard references: EN ISO 11806; EN ISO 14982

Landau/Isar, den 14.02.2012

Weichselgartner/General-Manager

Frank/Product-Management

First CE: 10

Art.No.: 34.019.92 I.No.: 11011

Subject to change without notice

Archive-File/Record: NAPR005246

Documents registrar: Robert Mayn

Wiesenweg 22, D-94405 Landau/Isar

14. Garantibevis

Bästa kund,

Våra produkter genomgår en sträng kvalitetskontroll. Om denna produkt mot förmodan inte fungerar på rätt sätt, beklagar vi detta och ber dig att kontakta vår serviceavdelning under adressen som anges på garantikortet. Vi står även gärna till tjänst på telefon under servicenumret som anges nedan. Följande punkter gäller för att du ska kunna göra anspråk på garantin:

1. I dessa garantivillkor regleras extra garantitjänster. Garantianspråk som regleras enligt lag påverkas inte av denna garanti. Våra garantitjänster är gratis för dig.
2. Garantitjänsterna täcker endast in sådana brister som kan härledas till material- eller fabriktionsfel och är begränsade till arbetsuppgifter som syftar till att åtgärda dessa brister eller byta ut produkten. Tänk på att våra produkter endast får användas till ändamålsenligt syfte och inte har konstruerats för yrkesmässig, hantverksmässig eller industriell användning. Ett garantiavtal sluts därför ej om produkten ska användas inom yrkesmässiga, hantverksmässiga eller industriella verksamheter eller vid liknande aktiviteter. Vår garanti omfattar dessutom inte ersättning för transportskador, skador som kan härledas till missaktade monteringsanvisningar eller ej föreskriven installation, åsidosatt bruksanvisning (t ex anslutning till felaktig nätspänning eller strömart), missbruk eller ej ändamålsenliga användningar (t ex överbelastning av produkten eller användning av ej godkända insatsverktyg eller tillbehör), åsidosatta underhålls- och säkerhetsbestämmelser, främmande partiklar som har trängt in i produkten (t ex sand, sten eller damm), yttre våld eller yttre påverkan (t ex skador om produkten har fallit ned) samt normalt och användningsbundet slitage. Detta gäller särskilt för batterier som täcks av en 12 månaders garanti. Anspråk på garanti upphör att gälla om ingrepp redan har gjorts i produkten.
3. Garantitiden uppgår till 3 år och gäller från datumet när produkten köptes. Medan garantitiden fortfarande gäller ska anspråk på garanti ställas inom två veckor efter att defekten fastställdes. Det är inte möjligt att ställa anspråk på garanti efter att garantitiden har löpt ut. Garantitiden förlängs inte när produkten repareras eller byts ut, dessutom medför sådana arbeten inte att en ny garantitid börjar gälla för produkten eller för ev. reservdelar som har monterats in. Detta gäller även vid hembesök.
4. För att du ska kunna ställa anspråk på garantin ska den defekta produkten skickas in i tillräckligt frankerat skick till adressen som anges nedan. Bifoga kvittot i original eller ett annat daterat köpebevis. Förvara därför kassakvittot på en säker plats! Beskriv orsaken till reklamationen så noggrant som möjligt. Om defekten i produkten täcks av våra garantitjänster, får du genast en reparerad eller ny apparat av oss.

Givetvis kan vi även, mot debitering, åtgärda skador som antingen inte täcks av garantin eller som har uppstått efter garantitidens slut. Skicka in produkten till nedanstående serviceadress.

Svenska Einhell AB

Åskvädersgatan 4

418 34 Göteborg

Tel.: +46 31 550 999 · Fax: +46 31 550 998

IAN 72317



Inhaltsverzeichnis

1. Einleitung	55
2. Sicherheitshinweise.....	55
3. Gerätebeschreibung und Lieferumfang	58
4. Bestimmungsgemäße Verwendung	58
5. Technische Daten	59
6. Vor Inbetriebnahme	60
7. Bedienung	61
8. Wartung und Ersatzteilbestellung	64
9. Lagerung und Transport.....	65
10. Reinigung.....	66
11. Entsorgung und Wiederverwertung	66
12. Fehlersuchplan	67
13. Konformitätserklärung	68
14. Garantiekunde.....	69



Der Nachdruck oder sonstige Vervielfältigung von Dokumentation und Begleitpapieren der Produkte, auch auszugsweise, ist nur mit ausdrücklicher Zustimmung der iSC GmbH zulässig.

Technische Änderungen vorbehalten



1. Einleitung

Herzlichen Glückwunsch zum Kauf Ihres neuen Gerätes.

Sie haben sich damit für ein hochwertiges Produkt entschieden. Die Bedienungsanleitung ist Bestandteil dieses Produkts. Sie enthält wichtige Hinweise für Sicherheit, Gebrauch und Entsorgung. Machen Sie sich vor der Benutzung des Produkts mit allen Bedien- und Sicherheitshinweisen vertraut. Benutzen Sie das Produkt nur wie beschrieben und für die angegebenen Einsatzbereiche. Händigen Sie alle Unterlagen bei Weitergabe des Produkts an Dritte mit aus.

2. Sicherheitshinweise

Warnung

Lesen Sie alle Sicherheitshinweise und Anweisungen. Versäumnisse bei der Einhaltung der Sicherheitshinweise und Anweisungen können elektrischen Schlag, Brand und/oder schwere Verletzungen verursachen.

Bewahren Sie alle Sicherheitshinweise und Anweisungen für die Zukunft auf.

Sicherheitsvorrichtungen

Beim Arbeiten mit dem Gerät muss die entsprechende Kunststoffschutzhaube für Messer- oder Fadenbetrieb montiert sein, um das Wegschleudern von Gegenständen zu verhindern. Das integrierte Messer in der Schnitfadenschutzhaube schneidet den Faden automatisch auf die optimale Länge ab.

Erklärung der Hinweisschilder auf dem Gerät (Abb. 14):

1. Warnung!
2. Vor Inbetriebnahme Bedienungsanleitung lesen!
3. Augen-/ Kopf- und Gehörschutz tragen!
4. Festes Schuhwerk tragen!
5. Schutzhandschuhe tragen!
6. Gerät vor Regen oder Nässe schützen!
7. Achten Sie auf weggeschleuderte Teile!
8. Vor Wartungsarbeiten Gerät abstellen und Zündkerzenstecker abziehen!

9. Der Abstand zwischen Gerät und umstehenden Personen muss mindestens 15 Meter betragen!
10. Schneidwerkzeug (Schnittmesser/Schnitffaden) läuft nach!
11. Achtung, heiße Teile. Abstand halten!
12. Ergänzen Sie alle 20 Betriebsstunden etwas Fett (Getriebefießfett)!

Sicherheitshinweise

- Lesen Sie die Bedienungsanleitung sorgfältig. Machen Sie sich mit den Einstellungen und dem richtigen Gebrauch des Gerätes vertraut.
- Erlauben Sie niemals anderen Personen, welche die Bedienungsanleitung nicht kennen, das Gerät zu benutzen. Örtliche Bestimmungen können das Mindestalter des Benutzers festlegen.
- Mähen Sie niemals während andere Personen, insbesondere Kinder oder Tiere, in der Nähe sind.

Warnung:

- Halten Sie einen Sicherheitsabstand von 15 m ein. Bei Annäherung stellen Sie das Gerät unverzüglich ab. Denken Sie daran, dass der Benutzer für Unfälle mit anderen Personen oder deren Eigentum verantwortlich ist.
- Achtung: Vergiftungsgefahr, Abgase, Kraftstoffe, und Schmierstoffe sind giftig, Abgase dürfen nicht eingeatmet werden.

Vor dem Gebrauch

- Während des Mähens sind immer festes Schuhwerk und lange Hosen zu tragen. Mähen Sie nicht barfuß oder in leichten Sandalen.
- Überprüfen Sie das Gelände, auf dem das Gerät eingesetzt wird und entfernen Sie alle Gegenstände, die erfasst und weggeschleudert werden können.
- Warnung: Benzin ist hochgradig entflammbar:
 - bewahren Sie Benzin nur in den dafür vorgesehenen Behältern auf.
 - tanken Sie nur im Freien und rauchen Sie nicht während des Einfüllvorganges.
 - Benzin ist vor dem Starten des Motors einzufüllen. Während der Motor läuft oder bei heißem Gerät darf der Tankverschluss nicht



geöffnet oder Benzin nachgefüllt werden.

- Falls Benzin übergelaufen ist, darf kein Versuch unternommen werden, den Motor zu starten. Stattdessen ist das Gerät von der benzinverschmutzten Fläche zu entfernen.

Jeglicher Zündversuch ist zu vermeiden, bis sich die Benzindämpfe verflüchtigt haben.

- Aus Sicherheitsgründen sind Benzintank und Tankverschlüsse bei Beschädigung auszutauschen.

- Ersetzen Sie defekte Schalldämpfer.
- Vor dem Gebrauch ist immer durch Sichtkontrolle zu prüfen, ob die Schneidwerkzeuge, Befestigungsbolzen und die gesamte Schneideinheit abgenutzt oder beschädigt sind. Zur Vermeidung einer Unwucht dürfen abgenutzte oder beschädigte Schneidwerkzeuge und Befestigungsbolzen nur satzweise ausgetauscht werden.

Handhabung

(Bedienung, Lagerung, Kontrolle)

- Tragen Sie anliegende Arbeitskleidung, die Schutz bietet, wie eine lange Hose, sichere Arbeitsschuhe, strapazierfähige Arbeitshandschuhe, einen Schutzhelm, eine Schutzmaske für das Gesicht oder eine Schutzbrille zum Schutz der Augen und gute Ohrwatte oder einen anderen Gehörschutz gegen den Lärm.
- Bewahren Sie das Gerät an einem sicheren Platz auf. Öffnen Sie den Benzintank langsam, um eventuellen Druck abzulassen, der sich im Tankdeckel gebildet hat. Um Brandgefahr vorzubeugen, entfernen Sie sich mindestens 3 Meter vom Auftankbereich, bevor Sie das Gerät anlassen.
- Schalten Sie das Gerät ab, bevor Sie es abstellen.
- Halten Sie das Gerät stets mit beiden Händen fest. Dabei sollen Daumen und Finger die Griffe umschließen.
- Achten Sie darauf, dass Schrauben und Verbindungselemente fest angezogen sind. Bedienen Sie das Gerät nie, wenn es nicht richtig eingestellt, nicht vollständig oder sicher zusammengesetzt ist.
- Achten Sie darauf, dass die Griffe trocken und sauber sind und keinerlei Benzingemisch daran haftet.
- Führen Sie die Fadenspule in der gewünschten Höhe. Vermeiden Sie es kleine Gegenstände (z. B. Steine) mit der Fadenspule zu berühren.
- Bei Mäharbeiten am Hang stehen Sie bitte stets unterhalb des Schneidwerkzeugs. Schneiden oder trimmen Sie niemals an einem glatten, rutschigen Hügel oder Abhang.
- Halten Sie jedes Körperteil und Kleidungsstück fern von der Fadenspule, wenn Sie den Motor anlassen oder laufen lassen. Bevor Sie den Motor anlassen, vergewissern Sie sich, dass die Fadenspule mit keinem Hindernis in Berührung kommt.
- Stellen Sie den Motor immer vor Arbeiten an dem Schneidwerkzeug ab.
- Lagern Sie das Gerät und Zubehör sicher und geschützt vor offenen Flammen und Hitze-/Funkenquellen, wie Gasdurchlauferhitzer, Wäschetrockner, Ölofen oder tragbare Radiatoren, etc..
- Halten Sie die Schutzhaube, die Fadenspule und den Motor bei der Lagerung immer frei von Mährückständen.
- Nur ausreichend geschulte Personen und Erwachsene dürfen das Gerät bedienen, einstellen und warten.
- Sind Sie mit dem Gerät nicht vertraut, üben Sie den Umgang bei nicht laufendem Motor.
- Vor dem Arbeiten das zu mähende Gelände überprüfen, feste Gegenstände wie Metallteile, Flaschen, Steine o.ä. können weggeschleudert werden und ernste Verletzungen beim Benutzer verursachen sowie das Gerät dauerhaft beschädigen. Sollten Sie aus Versehen einen festen Gegenstand mit dem Gerät berühren, schalten Sie den Motor sofort aus und untersuchen Sie das Gerät auf eventuelle Schäden. Benutzen Sie das Gerät niemals, wenn es beschädigt ist oder Mängel aufweist.
- Trimmen und schneiden Sie immer im oberen Drehzahlbereich. Lassen Sie den Motor zu Beginn des Mähens oder während des Trimmens nicht in niedriger Drehzahl laufen.
- Benutzen Sie das Gerät nur zum vorgesehenen Zweck, wie trimmen und Unkraut mähen.
- Halten Sie die Fadenspule niemals über Knie-



höhe, wenn das Gerät in Betrieb ist.

- Benutzen Sie das Gerät nicht, wenn Zuschauer oder Tiere sich in unmittelbarer Nähe befinden. Halten Sie während der Mäharbeiten einen Mindestabstand von 15 Meter zwischen Benutzer und anderen Personen oder Tieren. Bei Abmäharbeiten bis zum Boden halten Sie bitte einen Mindestabstand von 30 Meter.

Zusätzliche Hinweise

- Keinen anderen Treibstoff verwenden als den in der Bedienungsanleitung empfohlenen. Befolgen Sie stets die Anweisungen im Abschnitt „Treibstoff und Öl“ dieser Anleitung. Verwenden Sie kein Benzin, das nicht richtig mit 2-Takt-Motoröl gemischt ist. Es besteht sonst die Gefahr eines bleibenden Schadens am Motor, wodurch die Garantie des Herstellers entfällt.
- Nicht rauchen, während Sie das Gerät auf-tanken oder betätigen.
- Bedienen Sie das Gerät nicht ohne Auspuff.
- Den Auspuff nicht berühren, weder mit den Händen noch mit dem Körper. Halten Sie das Gerät so, dass Daumen und Finger die Griffe umschließen.
- Das Gerät nicht in unbequemer Stellung, nicht bei fehlendem Gleichgewicht, mit aus-gestreckten Armen oder nur mit einer Hand bedienen. Nehmen Sie zur Bedienung stets beide Hände, und umschließen Sie dabei die Griffe mit Daumen und Fingern.
- Halten Sie die Fadenspule stets auf dem Bo-den, wenn das Gerät in Betrieb ist.
- Benutzen Sie das Gerät nur zum vorgesehe-nen Zweck, wie Rasentrimmen und Mäharbei-ten.
- Benutzen Sie das Gerät nicht über einen längeren Zeitraum, machen Sie regelmäßig Pausen.
- Das Gerät nicht unter Alkohol- oder Drogen-einfluss betätigen.
- Das Gerät nur benutzen, wenn die entspre-chende Schutzhaube installiert und in gutem Zustand ist.
- Jegliche Veränderungen an dem Produkt kön-nen die persönliche Sicherheit gefährden und lassen die Herstellergarantie verfallen.

- Benutzen Sie das Gerät niemals in der Nähe von leicht entflammaren Flüssigkeiten oder Gasen, weder in geschlossenen Räumen noch im Freien. Explosionen und/ oder Brand kön-nen die Folge sein.
- Verwenden Sie keine anderen Schneidwerk-zeuge. Zu Ihrer eigenen Sicherheit verwenden Sie nur Zubehör und Zusatzgeräte, die in der Bedienungsanleitung angegeben oder vom Hersteller empfohlen oder angegeben werden. Der Gebrauch anderer als der in der Bedienungsanleitung empfohlenen Schneid-werkzeuge oder Zubehöre kann eine persö-nliche Verletzungsgefahr für Sie bedeuten.

Sicherheitsmaßnahmen beim Umgang mit dem Schnittmesser

- Befolgen Sie alle Warnungen und Anweisun-gen zu Betrieb und Schnittmesser-Montage.
- Das Schnittmesser kann ruckartig von Gegen-ständen weggeschleudert werden, wenn es diese nicht Durchschneiden/-mähen kann. Dies kann zu Verletzungen von Armen oder Beinen führen. Halten Sie umstehende Per-sonen und Tiere mindestens 15 Meter in alle Richtungen vom Arbeitsplatz entfernt. Sollte das Gerät auf Fremdkörper treffen, stoppen Sie den Motor sofort und warten Sie bis das Schnittmesser zum Stillstand gekommen ist. Überprüfen Sie das Schnittmesser auf Schä-den. Ersetzen Sie das Schnittmesser immer, wenn es verbogen oder gerissen ist.
- Das Schnittmesser schleudert Gegenstände heftig weg. Dies kann Erblindung oder Ver-letzungen verursachen. Tragen Sie Augen-, Gesichts- und Beinschutz. Entfernen Sie Ge-genstände immer aus dem Arbeitsbereich, bevor Sie das Schnittmesser einsetzen.
- Kontrollieren Sie Ihr Gerät und Anbauten vor jedem Benutzen sorgfältig auf Beschädigun-gen. Benutzen Sie das Gerät nicht, wenn nicht alle Schnittmesseranbauten ordnungsgemäß installiert sind.
- Das Schnittmesser läuft aus, wenn der Gas-hebel losgelassen wurde. Ein auslaufendes Schnittmesser kann Ihnen oder Umstehenden Schnittverletzungen zufügen. Bevor Sie am Schnittmesser irgendwelche Arbeiten vorneh-

men, stellen Sie den Motor ab, und vergewissern Sie sich, dass das Schnittmesser zum Stillstand gekommen ist.

- Gefahrenzone von 15 Metern Durchmesser. Umstehende Personen können Erblindung oder Verletzungen erleiden. Halten Sie in allen Richtungen einen Abstand von 15 Metern zwischen sich und anderen Personen oder Tieren ein.

3. Gerätebeschreibung und Lieferumfang

3.1 Gerätebeschreibung (Abb. 1-13)

1. Verbindungsstück Führungsholm
2. Führungsholm
3. Führungshandgriff
4. Starterleine / Startseilzug
5. Choke-Hebel
6. Benzintank
7. Kraftstoffpumpe „Primer“
8. Abdeckung Luffiltergehäuse
9. Ein-/Aus- Schalter
10. Arretierung Gashebel
11. Gashebel
12. Gashebelsperre
13. Fadenspule mit Schnitffaden
14. Schnitffaden-Schutzhaube
15. Schnittmesser-Schutzhaube
16. 4x Schraube M5
17. Tragegurt
- 18a. Schnittmesser (4 Zahn)
- 18b. Schnittmesser (3 Zahn)
19. Halterung Führungshandgriff
20. Griffschraube M8
21. Beilagscheibe Ø 8mm
22. Mitnehmerscheibe
23. Druckplatte
24. Abdeckung Druckplatte
25. Mutter M10 (Linksgewinde)
26. Öl/Benzinmischflasche
27. Zündkerzenschlüssel
28. Gabelschlüssel 8/10mm
29. Sechskantschlüssel 4 mm
30. Sechskantschlüssel 5 mm
31. Schutzkappe für Zündkerzenstecker
32. Griffschraube M6

33. Mutter M6
34. Beilagscheibe Ø 6mm
35. Luffilter
36. Zündkerzenstecker

Schnittmesser (18a/18b) und Fadenspule (13) werden im Text auch als Schneidwerkzeug (als Oberbegriff) zusammengefasst.

3.2 Lieferumfang

- Öffnen Sie die Verpackung und nehmen Sie das Gerät vorsichtig aus der Verpackung.
- Entfernen Sie das Verpackungsmaterial sowie Verpackungs- / und Transportsicherungen (falls vorhanden).
- Überprüfen Sie, ob der Lieferumfang vollständig ist.
- Kontrollieren Sie das Gerät und die Zubehörteile auf Transportschäden.
- Bewahren Sie die Verpackung nach Möglichkeit bis zum Ablauf der Garantiezeit auf.

Achtung

Gerät und Verpackungsmaterial sind kein Kinderspielzeug! Kinder dürfen nicht mit Kunststoffbeuteln, Folien und Kleinteilen spielen! Es besteht Erstickungsgefahr!

4. Bestimmungsgemäße Verwendung

Das Gerät (Verwendung des Schnittmessers) eignet sich zum Schneiden von hohem Gras und leichtem Gestrüpp mit dem 4-Zahn-Messer und für dichtes Gestrüpp und schwache Holzgewächse mit dem 3-Zahn-Messer.

Das Gerät (Verwendung der Fadenspule mit Schnitffaden) eignet sich zum Schneiden von Rasen und leichtem Unkraut. Die Einhaltung der vom Hersteller beigefügten Bedienungsanleitung ist Voraussetzung für den ordnungsgemäßen Gebrauch des Gerätes. Jede andere Verwendung, die in dieser Anleitung nicht ausdrücklich zugelassen wird, kann zu Schäden am Gerät führen und eine ernsthafte Gefahr für den Benutzer darstellen. Beachten Sie unbedingt die Einschränkungen in den Sicherheitshinweisen.

Bitte beachten Sie, dass unsere Geräte bestimmungsgemäß nicht für den gewerblichen, handwerklichen oder industriellen Einsatz konstruiert wurden. Wir übernehmen keine Gewährleistung, wenn das Gerät in Gewerbe-, Handwerks- oder Industriebetrieben, sowie bei gleichzusetzenden Tätigkeiten eingesetzt wird.

Achtung! Wegen körperlicher Gefährdung des Benutzers darf das Gerät nicht zu folgenden Arbeiten eingesetzt werden: zum Reinigen von Gehwegen und als Häcksler zum Zerkleinern von Baum- und Heckenabschnitten. Ferner darf das Gerät nicht zum Einebnen von Bodenerhebungen, wie z.B. Maulwurfshügel verwendet werden. Aus Sicherheitsgründen darf das Gerät nicht als Antriebsaggregat für andere Geräte jeglicher Art verwendet werden.

Das Gerät darf nur nach seiner Bestimmung verwendet werden. Jede weitere darüber hinausgehende Verwendung ist nicht bestimmungsgemäß. Für daraus hervorgerufene Schäden oder Verletzungen aller Art haftet der Benutzer/Bediener und nicht der Hersteller.

5. Technische Daten

Motortyp	2-Takt-Motor, luftgekühlt, Chromzylinder
Motorleistung (max.)	1,35 kW/ 1,8 PS
Hubraum	42,7 ccm
Leerlaufdrehzahl Motor.....	3000 min ⁻¹
Max. Drehzahl Motor	
mit Messer:	9000 min ⁻¹
mit Fadenspule:	8400 min ⁻¹
Max. Schnittgeschwindigkeit	
mit Messer:	6800 min ⁻¹
mit Fadenspule:	6300 min ⁻¹
Zündung.....	Elektronisch
Antrieb	Zentrifugalkupplung
Gewicht (leerer Tank)	7,5 kg
Schnittkreis-Faden Ø	41 cm
Schnittkreis-Messer Ø	23 cm
Fadenlänge	8,0 m
Faden-Ø	2,0 mm
Tankinhalt.....	0,8 l
Zündkerze.....	Champion RCJ6Y
Kraftstoffverbrauch bei	
max. Motorleistung	0,6 kg/h
spezifischer Kraftstoffverbrauch	
bei max. Motorleistung	446 g/kWh

Geräusch und Vibration

Schalldruckpegel L _{pA}	98 dB(A)
Unsicherheit K _{pA}	1,5 dB
Schallleistungspegel L _{WA}	110 dB(A)
Unsicherheit K _{WA}	1,5 dB

Tragen Sie einen Gehörschutz.

Die Einwirkung von Lärm kann Gehörverlust bewirken.

Betrieb

Schwingungsemissionswert a_h = 4,1 m/s²
 Unsicherheit K = 1,5 m/s²

**Beschränken Sie die Geräusentwicklung und Vibration auf ein Minimum!**

- Verwenden Sie nur einwandfreie Geräte.
- Warten und reinigen Sie das Gerät regelmäßig.
- Passen Sie Ihre Arbeitsweise dem Gerät an.
- Überlasten Sie das Gerät nicht.
- Lassen Sie das Gerät gegebenenfalls überprüfen.
- Schalten Sie das Gerät aus, wenn es nicht benutzt wird.
- Tragen Sie Handschuhe.

6. Vor Inbetriebnahme**6.1 Montage****6.1.1 Montage des Führungshandgriffes (Abb. 3a-3c)**

Montieren Sie den Führungshandgriff (3) wie in den Abbildungen 3a-3c dargestellt. Ziehen Sie die Schraube (20) erst dann ganz fest, wenn Sie die optimale Arbeitsposition mit dem Tragegurt (17) eingestellt haben (siehe hierzu auch Abschnitt 6.2). Der Führungshandgriff sollte wie in Abbildung 1 dargestellt ausgerichtet werden. Die Demontage erfolgt umgekehrt.

6.1.2 Montage Führungsholm (Abb. 4a – 4c)

Schieben Sie die Griffschraube (32) durch die Beilagscheibe (34) in das Verbindungsstück des Führungsholms (1). Verschrauben Sie die Griffschraube locker mit der Mutter (33). Drücken Sie nun den Arretierhebel (A) und schieben Sie vorsichtig den Führungsholm (Abb. 4a/ Pos. 2) in das Verbindungsstück des Führungsholms. Achten Sie dabei darauf, dass die Antriebswellen im Inneren des Führungsholms ineinander gleiten, gegebenenfalls leicht an der Fadenspule (13) / dem Schnittmesser (18a/18b) drehen. Die Nase des Arretierhebels (A) muss in das Loch (B) einrasten. Ziehen Sie nun die Griffschraube, wie in Abbildung 4c an. Zur Demontage braucht die Griffschraube nur gelockert und der Arretierhebel betätigt werden.

6.1.3 Montage der Schnittmesser-Schutzhaube

Achtung: Beim Arbeiten mit dem Schnittmesser muss die Schnittmesser-Schutzhaube (15) montiert sein.

Die Montage der Schnittmesser-Schutzhaube erfolgt wie in den Abbildungen 5a-5b dargestellt.

6.1.4 Montage/Ersetzen des Schnittmessers

Die Montage des Schnittmessers (18a/18b) ist auf den Bildern 6a-6g zu sehen. Die Demontage erfolgt in umgekehrter Reihenfolge.

- Mitnehmerscheibe (22), wie in Abbildung 6b, auf die Zahnwelle stecken.
- Schnittmesser (18a/18b) auf der Mitnehmerscheibe arretieren (Abb. 6c)
- Druckplatte (23) über das Gewinde der Zahnwelle stecken (Abb. 6d)
- Abdeckung Druckplatte (24) aufstecken (Abb. 6e)
- Die Bohrung der Mitnehmerscheibe suchen, mit der darunter liegenden Kerbe überein bringen und mit dem mitgelieferten Sechskantschlüssel (29) arretieren, um nun die Mutter (25) mit dem Zündkerzenschlüssel (27) anzuziehen (Abb. 6f/6g). Achtung: Linksgewinde
- Die Schnittmesser (18a/18b) sind bei der Auslieferung mit Plastikschutzkappen versehen. Diese vor dem Gebrauch entfernen und danach wieder anbringen.

6.1.5 Montage der Schnitffaden-Schutzhaube an der Schnittmesser-Schutzhaube

Achtung: Beim Arbeiten mit dem Schnitffaden muss zusätzlich die Schnitffaden-Schutzhaube (14) montiert werden.

Die Montage der Schnitffaden-Schutzhaube erfolgt wie in den Abbildungen 7a – 7b dargestellt. Achten Sie darauf, dass die Schnitffaden-Schutzhaube richtig einrastet. An der Unterseite der Schutzhaube befindet sich ein Messer (Abb. 7a/ Pos. F) für die automatische Fadenlängenregulierung. Dieses ist mit einem Schutz (Abb. 7a/ Pos.G) abgedeckt.

Entfernen Sie diesen Schutz vor Arbeitsbeginn und bringen Sie diesen nach dem Arbeiten wieder an.

6.1.6 Montage/ Ersetzen der Fadenspule

Die Montage der Fadenspule (13) ist auf dem Bild 7c zu sehen. Die Demontage erfolgt umgekehrt. Die Fadenspule ist bei der Auslieferung bereits montiert.

Die Bohrung der Mitnehmerscheibe (22) suchen, mit der darunter liegenden Kerbe überein bringen und mit dem mitgelieferten Sechskantschlüssel (29) arretieren, um nun die Fadenspule auf das Gewinde zu schrauben. **Achtung:** Linksgewinde

6.2 Einstellen der Schnitthöhe

- Tragegurt (17) wie in Abbildung 8a-8c dargestellt anlegen.
- Das Gerät am Tragegurt einhaken (Abb. 8d).
- Mit den verschiedenen Gurtverstellern am Tragegurt optimale Arbeits- und Schnittposition einstellen (Abb. 8e).
- Um die optimale Tragegurtlänge festzustellen, machen Sie anschließend einige Schwingbewegungen ohne den Motor anzulassen (Abb. 9a).

Der Tragegurt ist mit einem Schnellöffnungsmechanismus ausgestattet. Ziehen Sie, falls es notwendig ist das Gerät schnell abzulegen, an dem roten Gurtstück (Abb. 8f).

Achtung: Benutzen Sie den Gurt immer, wenn Sie mit dem Gerät arbeiten. Bringen Sie den Gurt an, sobald Sie den Motor gestartet haben und er im Leerlauf läuft. Schalten Sie den Motor aus, bevor Sie den Tragegurt abnehmen.

6.3 Treibstoff und Öl

Empfohlene Treibstoffe

Benutzen Sie nur ein Gemisch aus bleifreiem Benzin und speziellem 2-Takt-Motoröl. Mischen Sie das Treibstoffgemisch nach der Treibstoff-Mischtabelle an.

Achtung: Verwenden Sie kein Treibstoffgemisch, welches mehr als 90 Tage gelagert wurde.

Achtung: Verwenden Sie kein 2-Takt-Öl das ein Mischverhältnis von 100:1 empfiehlt. Bei Moto-

renschäden auf Grund ungenügender Schmierung entfällt die Motorgarantie des Herstellers.

Achtung: Verwenden Sie zum Transport und zur Lagerung von Kraftstoff nur dafür vorgesehene und zugelassene Behälter.

Geben Sie jeweils die richtige Menge Benzin und 2-Takt-Öl in die beiliegende Mischflasche (siehe aufgedruckte Skala). Schütteln Sie anschließend den Behälter gut durch.

6.4 Treibstoff-Mischtabelle

Mischverfahren: 40 Teile Benzin auf 1 Teil Öl

Benzin	2-Takt-Öl
1 Liter	25 ml
5 Liter	125 ml

7. Bedienung

Beachten Sie bitte die gesetzlichen Bestimmungen zur Lärmschutzverordnung, die örtlich unterschiedlich sein können.

Prüfen Sie das Gerät vor jeder Inbetriebnahme auf:


- Dichtheit des Treibstoffsystems.
- Einwandfreien Zustand und Vollständigkeit der Schutzeinrichtungen und der Schnittvorrichtung.
- Festen Sitz sämtlicher Verschraubungen.
- Leichtgängigkeit aller beweglichen Teile.

7.1 Starten bei kaltem Motor

Füllen Sie den Tank mit Benzin/Öl-Gemisch. Siehe auch "Treibstoff und Öl".

1. Gerät auf eine harte, ebene Fläche stellen.
2. Kraftstoffpumpe (Primer) (Abb. 1/Pos. 7) 10x drücken.
3. Ein-/ Aus-Schalter (Abb. 1/Pos. 9) auf „I“ schalten.
4. Gashebel (Abb. 1/Pos. 11) feststellen. Hierzu Gashebelsperre (Abb. 1/Pos. 12) und anschließend Gashebel (Abb. 1/Pos. 11) betätigen und durch gleichzeitiges Drücken der Arretierung (Abb. 1/Pos. 10) den Gashebel feststellen.



5. Choke-Hebel (Abb. 1/Pos. 5) auf „“ stellen.
6. Das Gerät gut festhalten und die Starterleine (Abb. 1/Pos. 4) bis zum ersten Widerstand herausziehen. Jetzt den Startseilzug 4x rasch anziehen. Das Gerät sollte starten.

Achtung: Die Starterleine nicht zurückschleudern lassen. Dies kann zu Beschädigungen führen.

Achtung: Durch den festgestellten Gashebel beginnt das Schneidwerkzeug bei startendem Motor zu arbeiten.

Anschließend Gashebel durch einfaches Betätigen entriegeln. Gleichzeitig wird durch das Betätigen des Gashebels der Choke-Hebel entriegelt. (Der Motor kehrt in den Leerlauf zurück).

7. Sollte der Motor nicht starten, wiederholen Sie die Schritte 4-6.
Zur Beachtung: Springt der Motor auch nach mehreren Versuchen nicht an, lesen Sie den Abschnitt „Fehlerbehebung“.
Zur Beachtung: Ziehen Sie den Startseilzug stets gerade heraus. Wird dieser in einem Winkel herausgezogen, entsteht Reibung an der Öse. Durch diese Reibung wird die Starterleine durchgescheuert und nutzt sich schneller ab. Halten Sie stets den Startseilzug, wenn sich die Starterleine wieder einzieht. Lassen Sie die Starterleine nie aus dem ausgezogenen Zustand zurückschnellen.

7.2 Starten bei warmem Motor

(Das Gerät stand für weniger als 15-20 Minuten still)

1. Gerät auf harte, ebene Fläche stellen.
2. Ein-/Aus-Schalter auf (Abb. 1 / Pos. 9) „I“ schalten.
3. Gashebel (Abb. 1 / Pos. 11) feststellen (analog „Starten bei kaltem Motor“).
4. Gerät gut festhalten und die Starterleine bis zum ersten Widerstand herausziehen. Jetzt die Starterleine rasch anziehen. Das Gerät sollte nach 1-2 Zügen starten. Falls das Gerät nach 6 Zügen immer noch nicht startet, wiederholen Sie die Schritte 1-7 unter „kalten Motor“ starten.

7.3 Motor abstellen

Not-Aus Schrittfolge:

Falls es notwendig ist, das Gerät sofort anzuhalten, stellen Sie hierzu den Ein-/Aus-Schalter (9) auf „Stop“ bzw. „0“

Normale Schrittfolge:

Lassen Sie den Gashebel (11) los und warten Sie bis der Motor in Leerlaufgeschwindigkeit übergegangen ist. Stellen Sie dann den Ein-/ Aus-Schalter (9) auf „Stop“ bzw. „0“.

7.4 Arbeitshinweise

Trainieren Sie vor Einsatz des Gerätes sämtliche Arbeitstechniken bei abgestelltem Motor.

Warnung: Seien Sie überaus vorsichtig bei Abmäharbeiten. Halten Sie bei solchen Arbeiten einen Abstand von 30 Metern zwischen sich und anderen Personen oder Tieren ein.

Verlängerung des Schnitfadens

Warnung! Benutzen Sie keinen Metalldraht oder kunststoffumhüllten Metalldraht irgendeiner Art in der Fadenspule. Dies kann zu schweren Verletzungen beim Benutzer führen.

Zur Verlängerung des Schnitfadens (13) lassen Sie den Motor auf Vollgas laufen und tippen Sie die Fadenspule auf den Boden. Der Faden wird automatisch verlängert. Das Messer an der Schutzhaube kürzt den Faden auf die zulässige Länge (Abb. 9b).

Vorsicht: Entfernen Sie regelmäßig alle Rasen- und Unkrautreste um ein Überhitzen des Gerätes zu vermeiden.

Rasen-/ Gras-/ Unkrautreste verfangen sich unterhalb der Schutzhaube (Abb. 9c), dies verhindert eine ausreichende Kühlung des Gerätes. Entfernen Sie die Reste vorsichtig mit einem Schraubenzieher oder dergleichen.

Verschiedene Schnittverfahren

Ist das Gerät richtig montiert, schneidet es Unkraut und hohes Gras an schwer zugänglichen Stellen, wie z.B. entlang von Zäunen, Mauern und Fundamenten sowie um Bäume herum. Es lässt sich auch für „Abmäharbeiten“ einsetzen, um Vegetation zur besseren Vorbereitung eines Gartens oder zum Ausputzen eines bestimmten Bereiches bodennah zu entfernen.

Zur Beachtung: Auch bei sorgfältiger Anwendung hat das Schneiden an Fundamenten, Stein- oder Betonmauern usw. eine über der normal liegende Abnutzung des Fadens zur Folge.

Trimmen/ Mähen (mit Fadenspule/Schnittmesser)

Schwingen Sie das Gerät in sichelartiger Bewegung von Seite zu Seite. Halten Sie das Schneidwerkzeug stets parallel zum Boden. Überprüfen Sie das Gelände und legen Sie die gewünschte Schnitthöhe fest. Führen und halten Sie das Schneidwerkzeug in der gewünschten Höhe, zwecks gleichmässigem Schnitt (Abb. 9d).

Niedriges Trimmen (mit Fadenspule)

Halten Sie das Gerät mit einer leichten Neigung genau vor sich, so dass sich die Unterseite der Fadenspule über dem Boden befindet und der Faden die richtige Schnittstelle trifft. Schneiden Sie immer von sich weg. Ziehen Sie das Gerät nicht zu sich hin.

Schneiden an Zaun/ Fundament (mit Fadenspule)

Nähern Sie sich langsam Maschendraht-zäunen, Lattenzäunen, Natursteinmauern und Fundamenten, um nah daran zu schneiden, ohne jedoch mit dem Faden gegen das Hindernis zu schlagen. Kommt der Faden z.B. mit Steinen, Steinmauern oder Fundamenten in Berührung, nutzt er sich ab oder franst aus. Schlägt der Faden gegen Zaungeflecht, bricht er ab.

Trimmen um Bäume (mit Fadenspule)

Trimmen Sie um Baumstämme, nähern Sie sich langsam, damit der Faden die Rinde nicht berührt. Gehen Sie um den Baum herum und achten Sie darauf den Baum nicht zu beschädigen. Nähern Sie sich Gras oder Unkraut mit der Spitze des Fadens, und kippen Sie die Fadenspule leicht nach vorn.

Abmähen (mit Fadenspule)

Beim Abmähen erfassen Sie die gesamte Vegetation bis zum Grund. Dazu neigen Sie die Fadenspule im 30 Grad Winkel nach rechts. Stellen Sie den Handgriff in die gewünschte Position (Abb. 9e).

Achtung! Erhöhte Verletzungsgefahr des Benutzers, der Zuschauer und Tiere, sowie die Gefahr der Sachbeschädigung durch weggeschleuderte Objekte (z.B. Steine).

Achtung! Entfernen Sie mit dem Gerät keine Gegenstände von Fußwegen usw.!

Die Benzinmotor-Sense ist ein kraftvolles Gerät und kleine Steine oder andere Gegenstände können 15 Meter und mehr weggeschleudert werden und zu Verletzungen oder Beschädigungen an Autos, Häusern und Fenstern führen.

Sägen

Das Gerät ist nicht zum Sägen geeignet.

Verklemmen

Sollte das Schneidwerkzeug wegen zu dichter Vegetation blockieren stellen Sie unverzüglich den Motor ab. Befreien Sie das Gerät von Gras und Gestrüpp, bevor Sie es erneut in Betrieb nehmen.

Vermeiden von Rückschlag

Beim Arbeiten mit dem Schnittmesser besteht die Gefahr des Rückschlages, wenn dieses auf feste Hindernisse (Baumstamm, Ast, Baumstumpf, Stein oder dergleichen) trifft. Das Gerät wird dabei gegen die Drehrichtung des Schneidwerkzeugs zurückgeschleudert. Dies kann zum Verlust der Kontrolle über das Gerät führen. Benutzen Sie das Schnittmesser nicht in der Nähe von Zäunen, Metallpfosten, Grenzsteinen oder Fundamenten. Zum Schneiden von schwachem Holzgewächs

positionieren Sie das Gerät wie in Abb. 9f dargestellt, um Rückschläge zu vermeiden.

8. Wartung und Ersatzteilbestellung

Schalten Sie das Gerät vor Wartungsarbeiten immer aus und ziehen Sie den Zündkerzenstecker (36) ab.

8.1 Ersetzen von Fadenspule/Schnittfaden

1. Die Fadenspule (13), wie in Abschnitt 6.1.6 beschrieben, demontieren. Die Spule zusammendrücken (Abb. 12a) und eine Gehäusehälfte abnehmen (Abb. 12b).
2. Spulenteller (K) aus dem Fadenspulengehäuse entnehmen (Abb. 12c).
3. Evtl. noch vorhandenen Schnittfaden entfernen.
4. Neuen Schnittfaden in der Mitte zusammenlegen und die entstandene Schlaufe in die Aussparung des Spulentellers einhängen. (Abb. 12d)
5. Faden unter Spannung gegen den Uhrzeigersinn aufwickeln. Der Spulenteiler trennt dabei die beiden Hälften des Schnittfadens. (Abb. 12e)
6. Die letzten 15 cm der beiden Fadenenden in die gegenüberliegenden Fadenhalter des Spulentellers einhaken. (Abb. 12f)
7. Die beiden Fadenenden durch die Metallösen im Fadenspulen-Gehäuse führen (Abb. 12c).
8. Spulenteller in das Fadenspulen-Gehäuse drücken (Abb. 12b).
9. Kurz und kräftig an beiden Fadenenden ziehen um diese aus den Fadenhaltern zu lösen.
10. Fügen Sie die Gehäusehälften wieder zusammen.
11. Überschüssigen Faden auf etwa 13 cm zurückschneiden. Das verringert die Belastung auf den Motor während des Startens und Aufwärmens.
12. Fadenspule wieder montieren (siehe Abschnitt 6.1.6). Wird die komplette Fadenspule erneuert sind, die Punkte 3-6 zu überspringen.

8.2 Wartung des Luftfilters

Verschmutzte Luftfilter verringern die Motorleistung durch zu geringe Luftzufuhr zum Vergaser. Regelmäßige Kontrolle ist daher unerlässlich. Der Luftfilter (35) sollte alle 25 Betriebsstunden kontrolliert werden und bei Bedarf gereinigt werden. Bei sehr staubiger Luft ist der Luftfilter häufiger zu überprüfen.

1. Entfernen Sie die Abdeckung des Luftfiltergehäuses (Abb. 10a / Pos. 8)
2. Entnehmen Sie den Luftfilter (Abb. 10b/10c)
3. Reinigen Sie den Luftfilter durch Ausklopfen oder Ausblasen (mit Druckluft).
4. Der Zusammenbau erfolgt in umgekehrter Reihenfolge.

Achtung: Luftfilter nie mit Benzin oder brennbaren Lösungsmitteln reinigen.

8.3 Wartung der Zündkerze

Elektrodenabstand = 0,6 mm (Abstand zwischen den Elektroden, zwischen welchen der Zündfunke erzeugt wird). Ziehen Sie die Zündkerze mit 12 bis 15 Nm mit einem Drehmomentschlüssel (erhältlich im Fachhandel) an. Überprüfen Sie die Zündkerze erstmals nach 10 Betriebsstunden auf Verschmutzung und reinigen Sie diese gegebenenfalls mit einer Kupferdrahtbürste.

Danach die Zündkerze alle 50 Betriebsstunden warten.

1. Demontieren Sie die Schutzkappe (Abb. 10c/Pos. 31) mit einem Schraubendreher.
2. Ziehen Sie den Zündkerzenstecker (Abb. 11a/Pos. 36) ab.
3. Entfernen Sie die Zündkerze (Abb. 11b) mit dem beiliegenden Zündkerzenschlüssel (27).
4. Der Zusammenbau erfolgt in umgekehrter Reihenfolge.

8.4 Schleifen des Schutzhaubennessers

Das Schutzhaubennesser (Abb. 7a / Pos. F) kann mit der Zeit stumpf werden. Sollten Sie dies feststellen, lösen Sie die 2 Schrauben mit denen das Schutzhaubennesser an der Schutzhaube befestigt ist. Befestigen Sie das Messer in einem Schraubstock. Schleifen Sie das Messer mit einer Flachfeile und achten Sie darauf, den Winkel der Schnittkante beizubehalten. Feilen Sie nur in eine Richtung.

8.5 Vergaser-Einstellungen

Achtung: Einstellungen am Vergaser dürfen nur durch einen autorisierten Kundendienst vorgenommen werden.

Zu allen Arbeiten am Vergaser muss zuerst die Abdeckung des Luffiltergehäuses, wie in Abbildung 10a und 10b gezeigt, demontiert werden.

Einstellen des Gasseilzuges:

Sollte die Maximaldrehzahl des Geräts mit der Zeit nicht mehr erreicht werden und sämtliche andere Ursachen nach Abschnitt „Fehlerbehebung“ ausgeschlossen sein, könnte eine Einstellung des Gasseilzuges erforderlich sein.

Überprüfen Sie hierfür zunächst, ob der Vergaser bei voll durchgedrücktem Gashebel ganz öffnet. Dies ist der Fall, wenn der Vergaserschieber (Abb. 13a/Pos. F) bei voll betätigtem Gas vollständig geöffnet ist. Abbildung 13a zeigt die korrekte Einstellung. Sollte der Vergaserschieber nicht vollständig geöffnet sein, ist eine Nachjustierung notwendig.

Um den Gasseilzug nachzustellen sind folgende Schritte erforderlich:

- Lösen Sie die Kontermutter (Abb. 13b/Pos. C) einige Umdrehungen.
- Drehen Sie die Verstellerschraube (Abb. 13b/Pos. D) heraus, bis der Vergaserschieber bei voll betätigtem Gas, wie in Abbildung 13a gezeigt, vollständig geöffnet ist.
- Ziehen Sie die Kontermutter wieder fest.

Einstellen des Standgases:

Achtung! Standgas bei warmem Betriebszustand einstellen.

Sollte das Gerät bei nicht betätigtem Gashebel ausgehen und sämtliche andere Ursachen nach Abschnitt „Fehlerbehebung“ ausgeschlossen sein, ist ein Nachjustieren des Standgases notwendig. Drehen Sie hierzu die Standgasschraube (Abb. 13b/Pos. E) im Uhrzeigersinn bis das Gerät im Leerlauf sicher läuft. Ist das Standgas so hoch, dass sich das Schneidwerkzeug mitdreht, muss dies durch Linksdrehen der Standgasschraube soweit verringert werden, bis sich das Schneidwerkzeug nicht mehr mitdreht.

8.6 Fetten des Getriebes

Ergänzen Sie alle 20 Betriebsstunden etwas Getriebefließfett (ca. 10 g). Öffnen Sie hierzu die Schraube H (Abb. 7c).

8.7 Umweltschutz

Verschmutztes Wartungsmaterial und Betriebsstoffe in einer dafür vorgesehenen Sammelstelle abgeben.

Verpackungsmaterial, Metall und Kunststoffe dem Recycling zuführen.

8.8 Ersatzteilbestellung

Bei der Ersatzteilbestellung sollten folgende Angaben gemacht werden:

- Typ des Gerätes
- Artikelnummer des Gerätes
- Ident-Nummer des Gerätes

Aktuelle Preise und Infos finden Sie unter www.isc-gmbh.info

9. Lagerung und Transport

9.1 Lagerung

Vorsicht: Verstauen Sie das Gerät nie länger als 30 Tage, ohne folgende Schritte zu durchlaufen.

Verstauen des Gerätes

Wenn Sie das Gerät länger als 30 Tage verstauen, muss es hierfür hergerichtet werden. Andernfalls verdunstet der im Vergaser befindliche, restliche Treibstoff und lässt einen gummiartigen Bodensatz zurück. Dies könnte den Start erschweren und teure Reparaturarbeiten zur Folge haben.

1. Nehmen Sie den Tankdeckel langsam ab, um eventuellen Druck im Tank abzulassen. Entleeren Sie vorsichtig den Tank (6).
2. Starten Sie den Motor und lassen Sie ihn laufen, bis dieser stoppt, um den Treibstoff aus dem Vergaser zu entfernen.
3. Lassen Sie den Motor abkühlen (ca. 5 Minuten).
4. Entfernen Sie die Zündkerze (siehe 8.3)
5. Geben Sie 1 Teelöffel sauberes 2-Takt-Öl in die Verbrennungskammer. Ziehen Sie mehrere Male langsam an der Starterleine, um die internen Komponenten mit Öl zu benetzen.



Setzen Sie die Zündkerze wieder ein.

Hinweis: Verstauben Sie das Gerät an einem trockenen Ort und weit entfernt von möglichen Entzündungsquellen, z.B. Ofen, Heißwasserboiler mit Gas, Gastrockner, etc.

Erneutes Inbetriebnehmen

1. Entfernen Sie die Zündkerze (siehe 8.3).
2. Ziehen Sie rasch an der Starterleine, um überschüssiges Öl aus der Verbrennungskammer zu entfernen.
3. Reinigen Sie die Zündkerze und achten Sie auf den richtigen Elektrodenabstand an der Zündkerze; oder setzen Sie eine neue Zündkerze mit richtigem Elektrodenabstand ein.
4. Bereiten Sie das Gerät für den Betrieb vor.
5. Füllen Sie den Tank mit der richtigen Treibstoff-/ Ölmischung auf. Siehe Abschnitt „Treibstoff und Öl“.

9.2 Transport

Wenn Sie das Gerät transportieren möchten, entleeren Sie den Benzintank wie im Abschnitt „Lagerung“ erklärt. Reinigen Sie das Gerät mit einer Bürste oder einem Handfeger von grobem Schmutz. Demontieren Sie den Führungshandgriff und Führungsholm wie unter Abschnitt 6.1.1 und 6.1.2 erklärt.

10. Reinigung

Schalten Sie das Gerät vor Reinigungsarbeiten immer aus und ziehen den Zündkerzenstecker ab.

- Nach jedem Gebrauch sollte das Gerät gründlich gereinigt werden. Besonders das Schneidwerkzeug und die Schutzhauben.
- Halten Sie Luftschlitze und Motoregehäuse so staub- und schmutzfrei wie möglich. Reiben Sie das Gerät mit einem sauberen Tuch ab oder blasen Sie es mit Druckluft bei niedrigem Druck aus.
- Am leichtesten entfernen Sie Schmutz und Gras gleich nach dem Mähen.
- Reinigen Sie das Gerät regelmäßig mit einem feuchten Tuch und etwas Schmierseife. Verwenden Sie keine Reinigungs- oder Lösungs-

mittel; diese könnten die Kunststoffteile des Gerätes angreifen. Achten Sie darauf, dass kein Wasser in das Geräteinnere gelangen kann.

11. Entsorgung und Wiederverwertung

Das Gerät befindet sich in einer Verpackung um Transportschäden zu verhindern. Diese Verpackung ist Rohstoff und ist somit wieder verwendbar oder kann dem Rohstoffkreislauf zurückgeführt werden. Das Gerät und dessen Zubehör bestehen aus verschiedenen Materialien, wie z.B. Metall und Kunststoffe. Führen Sie defekte Bauteile der Sondermüllentsorgung zu. Treibstoff und Öle dürfen nur bei entsprechenden Sondermüllstellen entsorgt werden. Fragen Sie im Fachgeschäft oder in der Gemeindeverwaltung nach!

12. Fehlersuchplan

Störung	Mögliche Ursache	Störungsbehebung
Das Gerät springt nicht an.	<ul style="list-style-type: none"> - Fehlerhaftes Vorgehen beim Starten. - Verrußte oder feuchte Zündkerze - Falsche Vergasereinstellung 	<ul style="list-style-type: none"> - Folgen Sie den Anweisungen zum Starten - Zündkerze reinigen oder durch neue ersetzen. - Autorisierten Kundendienst aufsuchen, oder das Gerät an die ISC-GmbH senden.
Das Gerät springt an, hat aber nicht die volle Leistung.	<ul style="list-style-type: none"> - Falsche Einstellung des Chokehebels (5) - Verschmutzter Luftfilter (35) - Falsche Vergasereinstellung 	<ul style="list-style-type: none"> - Chokehebel auf „\uparrow“ stellen. - Luftfilter reinigen - Autorisierten Kundendienst aufsuchen, oder das Gerät an die ISC-GmbH senden.
Der Motor läuft unregelmäßig	<ul style="list-style-type: none"> - Falscher Elektrodenabstand der Zündkerze - Falsche Vergasereinstellung 	<ul style="list-style-type: none"> - Zündkerze reinigen und Elektrodenabstand einstellen oder neue Zündkerze einsetzen. - Autorisierten Kundendienst aufsuchen, oder das Gerät an die ISC-GmbH senden.
Motor raucht übermäßig	<ul style="list-style-type: none"> - Falsche Treibstoffmischung - Falsche Vergasereinstellung 	<ul style="list-style-type: none"> - Richtige Treibstoffmischung verwenden (siehe Treibstoff-Mischtabelle) - Autorisierten Kundendienst aufsuchen, oder das Gerät an die ISC-GmbH senden.

13. Konformitätserklärung

Einhell Germany AG · Wiesenweg 22 · D-94405 Landau/Isar



Konformitätserklärung

- D** erklärt folgende Konformität gemäß EU-Richtlinie und Normen für Artikel
- GB** explains the following conformity according to EU directives and norms for the following product
- F** déclare la conformité suivante selon la directive CE et les normes concernant l'article
- I** dichiara la seguente conformità secondo la direttiva UE e le norme per l'articolo
- NL** verklaart de volgende overeenstemming conform EU richtlijn en normen voor het product
- E** declara la siguiente conformidad a tenor de la directiva y normas de la UE para el artículo
- P** declara a seguinte conformidade, de acordo com a directiva CE e normas para o artigo
- DK** atterer følgende overensstemmelse i medfør af EU-direktiv samt standarder for artikel
- S** förklarar följande överensstämmelse enl. EU-direktiv och standarder för artikeln
- FIN** vakuuttaa, että tuote täyttää EU-direktiivin ja standardien vaatimukset
- EE** tõendab toote vastavust EL direktiivile ja standarditele
- CZ** vydává následující prohlášení o shodě podle směrnice EU a norem pro výrobek
- SLO** potrjuje sledečo skladnost s smernico EU in standardi za izdelek
- SK** vydáva nasledujúce prehlásenie o zhode podľa smernice EÚ a noriem pre výrobok
- H** a cikkekhez az EU-irányvonal és Normák szerint a következő konformitást jelenti ki
- PL** deklaruje zgodność wymienionego poniżej artykułu z następującymi normami na podstawie dyrektywy WE.
- BG** декларира съответното съответствие съгласно Директива на ЕС и норми за артикул
- LV** paskaidro šādu atbilstību ES direktīvai un standartiem
- LT** apibūdina šį atitikimą EU reikalavimams ir prekės normoms
- RO** declară următoarea conformitate conform directivei UE și normelor pentru articolul
- GR** δηλώνει την ακόλουθη συμμόρφωση σύμφωνα με την Οδηγία ΕΚ και τα πρότυπα για το προϊόν
- HR** potvrđuje sljedeću uskladenost prema smjernicama EU i normama za artikl
- Izjava o sukladnosti za ovaj proizvod dostupna je na internet stranici www.lidl.hr.
- BIH** potvrđuje sljedeću uskladenost prema smjernicama EU i normama za artikl
- RS** potvrđuje sledeću uskladenost prema smernicama EZ i normama za artikal
- RUS** следующим удостоверяется, что следующие продукты соответствуют директивам и нормам ЕС
- UKR** проголошує про зазначену нижче відповідність виробу директивам та стандартам ЄС на виріб
- MK** ja izjavува следната сообразност согласно EУ-директивата и нормите за артикли
- TR** Ürünü ile ilgili AB direktifleri ve normlan gereğince aşağıda açıklanan uygunluğu belirtir
- N** erklærer følgende samsvar i henhold til EU-direktiv og standarder for artikkel
- IS** Lýsir uppfyllingu EU-reglna og annarra staðla vöru

Benzin-Sense FBS 43 A1 (Florabest)

- | | |
|---|---|
| <input type="checkbox"/> 87/404/EC_2009/105/EC | <input checked="" type="checkbox"/> 2006/42/EC |
| <input type="checkbox"/> 2005/32/EC_2009/125/EC | <input type="checkbox"/> Annex IV
Notified Body:
Notified Body No.:
Reg. No.: |
| <input type="checkbox"/> 2006/95/EC | |
| <input type="checkbox"/> 2006/28/EC | <input checked="" type="checkbox"/> 2000/14/EC_2005/88/EC |
| <input checked="" type="checkbox"/> 2004/108/EC | <input checked="" type="checkbox"/> Annex V |
| <input type="checkbox"/> 2004/22/EC | <input type="checkbox"/> Annex VI
Noise measured: $L_{WA} = 104,7$ dB (A); guaranteed $L_{WA} = 110$ dB (A)
$P = 1,35$ KW; $L/\varnothing =$ cm
Notified Body: |
| <input type="checkbox"/> 1999/5/EC | |
| <input type="checkbox"/> 97/23/EC | <input checked="" type="checkbox"/> 2006/28/EC
Emission No.: e11*97/68SA*2004/26*1181*00 |
| <input type="checkbox"/> 90/396/EC_2009/142/EC | |
| <input type="checkbox"/> 89/686/EC_96/58/EC | |
| <input type="checkbox"/> 2011/65/EC | |

Standard references: EN ISO 11806; EN ISO 14982

Landau/Isar, den 14.02.2012

Weichselgartner/General-Manager

Frank/Product-Management

First CE: 10
Art.No.: 34.019.92 I.No.: 11011
Subject to change without notice

Archive-File/Record: NAPR005246
Documents registrar: Robert Mayn
Wiesenweg 22, D-94405 Landau/Isar

14. Garantiekunde

Sehr geehrte Kundin, sehr geehrter Kunde,
unsere Produkte unterliegen einer strengen Qualitätskontrolle. Sollte dieses Gerät dennoch einmal nicht einwandfrei funktionieren, bedauern wir dies sehr und bitten Sie, sich an unseren Servicedienst unter der auf dieser Garantiekarte angegebenen Adresse zu wenden. Gern stehen wir Ihnen auch telefonisch über die unten angegebene Servicenummer zur Verfügung. Für die Geltendmachung von Garantieansprüchen gilt folgendes:

1. Diese Garantiebedingungen regeln zusätzliche Garantieleistungen. Ihre gesetzlichen Gewährleistungsansprüche werden von dieser Garantie nicht berührt. Unsere Garantieleistung ist für Sie kostenlos.
2. Die Garantieleistung erstreckt sich ausschließlich auf Mängel, die auf Material- oder Herstellungsfehler zurückzuführen sind und ist auf die Behebung dieser Mängel bzw. den Austausch des Gerätes beschränkt. Bitte beachten Sie, dass unsere Geräte bestimmungsgemäß nicht für den gewerblichen, handwerklichen oder industriellen Einsatz konstruiert wurden. Ein Garantievertrag kommt daher nicht zustande, wenn das Gerät in Gewerbe-, Handwerks- oder Industriebetrieben sowie bei gleichzusetzenden Tätigkeiten eingesetzt wird. Von unserer Garantie sind ferner Ersatzleistungen für Transportschäden, Schäden durch Nichtbeachtung der Montageanleitung oder aufgrund nicht fachgerechter Installation, Nichtbeachtung der Gebrauchsanleitung (wie durch z.B. Anschluss an eine falsche Netzspannung oder Stromart), missbräuchliche oder unsachgemäße Anwendungen (wie z.B. Überlastung des Gerätes oder Verwendung von nicht zugelassenen Einsatzwerkzeugen oder Zubehör), Nichtbeachtung der Wartungs- und Sicherheitsbestimmungen, Eindringen von Fremdkörpern in das Gerät (wie z.B. Sand, Steine oder Staub), Gewaltanwendung oder Fremdeinwirkungen (wie z. B. Schäden durch Herunterfallen) sowie durch verwendungsgemäßen, üblichen Verschleiß ausgeschlossen. Dies gilt insbesondere für Akkus, auf die wir dennoch eine Garantiezeit von 12 Monaten gewähren. Der Garantieanspruch erlischt, wenn an dem Gerät bereits Eingriffe vorgenommen wurden.
3. Die Garantiezeit beträgt 3 Jahre und beginnt mit dem Kaufdatum des Gerätes. Garantieansprüche sind vor Ablauf der Garantiezeit innerhalb von zwei Wochen, nachdem Sie den Defekt erkannt haben, geltend zu machen. Die Geltendmachung von Garantieansprüchen nach Ablauf der Garantiezeit ist ausgeschlossen. Die Reparatur oder der Austausch des Gerätes führt weder zu einer Verlängerung der Garantiezeit noch wird eine neue Garantiezeit durch diese Leistung für das Gerät oder für etwaige eingebaute Ersatzteile in Gang gesetzt. Dies gilt auch bei Einsatz eines Vor-Ort-Services.
4. Für die Geltendmachung Ihres Garantieanspruches übersenden Sie bitte das defekte Gerät portofrei an die unten angegebene Adresse. Fügen Sie den Verkaufsbeleg im Original oder einen sonstigen datierten Kaufnachweis bei. Bitte bewahren Sie deshalb den Kassenbon als Nachweis gut auf! Beschreiben Sie uns bitte den Reklamationsgrund möglichst genau. Ist der Defekt des Gerätes von unserer Garantieleistung erfasst, erhalten Sie umgehend ein repariertes oder neues Gerät zurück.

Selbstverständlich beheben wir gegen Erstattung der Kosten auch gerne Defekte am Gerät, die vom Garantiumfang nicht oder nicht mehr erfasst sind. Dazu senden Sie das Gerät bitte an unsere Serviceadresse.

iSC GmbH • Eschenstraße 6 • 94405 Landau/Isar (Deutschland)

Telefon: +49 [0] 180 5 687 484 • Telefax +49 [0] 180 5 687 485

(Festnetzpreis: 14 ct/min, Mobilfunkpreise maximal: 42 ct/min)

Außerhalb Deutschlands fallen stattdessen Gebühren für ein reguläres Gespräch ins dt. Festnetz an.

E-Mail: lidl@isc-gmbh.info • Internet: www.isc-gmbh.info

IAN 72317



Handwriting practice lines consisting of 20 horizontal lines. The first two lines are pre-filled with a pencil icon and a wavy line, respectively. The remaining 18 lines are blank.





Two horizontal lines at the top of the page, with a pencil icon positioned between them. Below these are 20 additional horizontal lines, providing a total of 22 lines for writing.





Handwriting practice lines consisting of 20 horizontal lines. The first two lines are pre-filled with a pencil icon and a wavy line, respectively. The remaining 18 lines are blank.





Two horizontal lines at the top of the page, with a pencil icon positioned between them. Below these are 20 additional horizontal lines, providing a total of 22 lines for writing.





CE

IAN: 72317 FBS 43 A1
Einhell Germany AG
Wiesenweg 22
D-94405 Landau/Isar

Last Information Update · Tietojen tila · Informationsstatus
Stand der Informationen: 03/2012
Ident.-No.: 34.019.92 032012 - 3

IAN 72317

3 L

