



**2200W**  
**PETROL GENERATOR**



**INSTRUCTION MANUAL**

**MODEL NUMBER BT-PG 2000/1**

**AFTER SALES SUPPORT**

**TEL: 1300 922 271**

**EMAIL: [service.australia@einhell.com](mailto:service.australia@einhell.com)**

 **N26704**

# Petrol Generator

## What your 2 year warranty means

Great care has gone into the manufacture of this product and it should therefore provide you with years of good service when used properly. In the event of product failure within its intended use over the course of the first 2 years after the date of purchase, we will remedy the problem as quickly as possible once it has been brought to our attention. In the unlikely event of such an occurrence, or if you require any information about the product, please contact us via our after sales support services, details of which can be found in this manual and on the product itself.

## Welcome Section

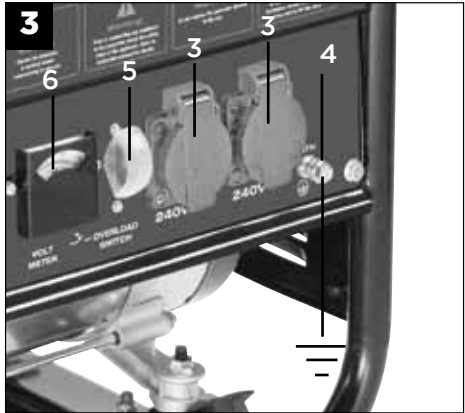
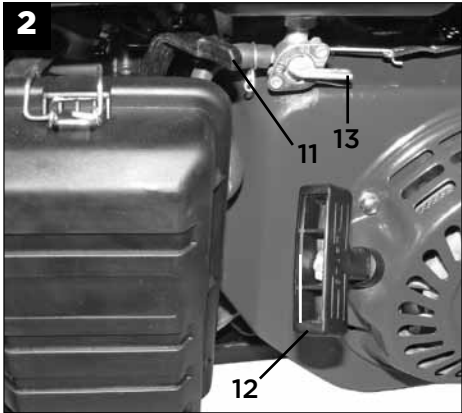
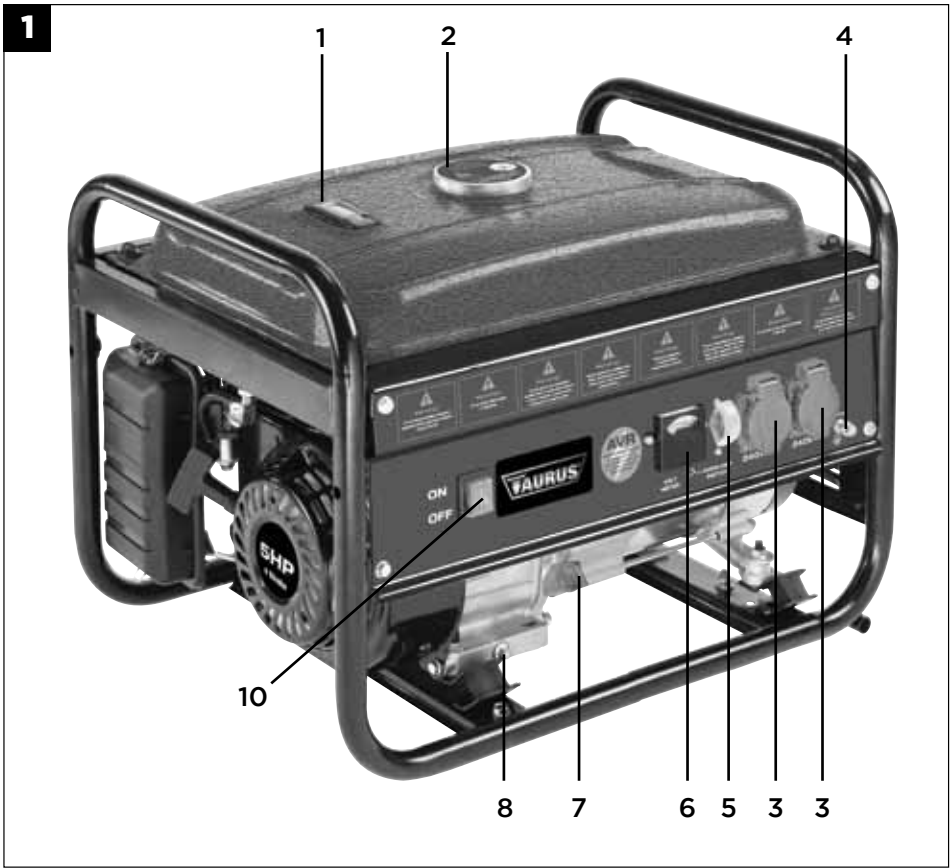
Congratulations on choosing to buy a TAURUS® product.

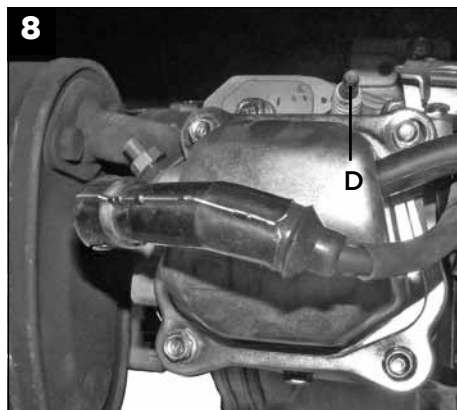
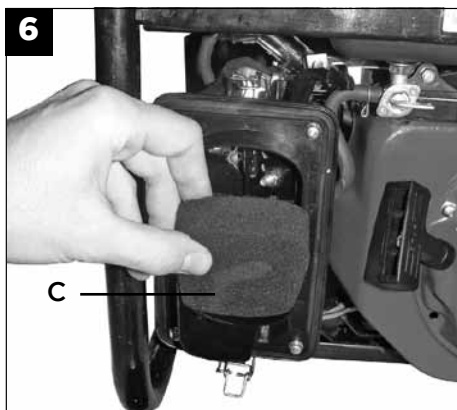
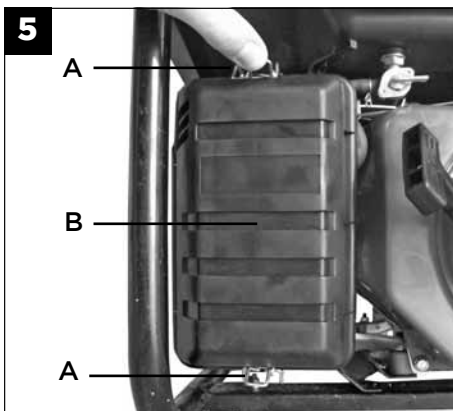
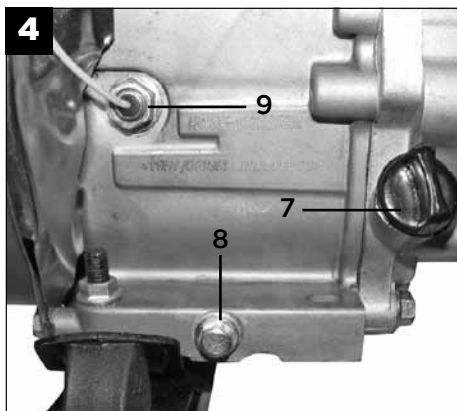
All products brought to you by TAURUS® are manufactured to the highest standards of performance and safety, and, as part of our philosophy of customer service and satisfaction, are backed by our comprehensive 2 Year Warranty.

We hope you will enjoy using your purchase for many years to come.

## Table of Contents

1. Safety regulations
2. Layout and items supplied
3. Proper use
4. Technical data
5. Before starting the machine
6. Operation
7. Cleaning, maintenance and ordering of spare parts
8. Disposal and recycling





9

		1
		2
		3
		4

## GENERAL SAFETY RULES

**WARNING!** Read all instructions. *Failure to follow all instructions listed below may result in electric shock, fire and/or serious injury. The term "power tool" in all of the warnings listed below refers to your mains-operated (corded) power tool or battery-operated (cordless) power tool.*

### SAVE THESE INSTRUCTIONS

#### 1. Work area

- Keep work area clean and well lit. *Cluttered and dark areas invite accidents.*
- Do not operate power tools in explosive atmospheres, such as in the presence of flammable liquids, gases or dust. *Power tools create sparks which may ignite the dust or fumes.*
- Keep children and bystanders away while operating a power tool. *Distractions can cause you to lose control.*

#### 2. Electrical safety

- Power tools plugs must match the outlet. Never modify the plug in any way. *Do not use any adapter plugs with earthed (grounded) power tool. Unmodified plugs and matching outlets will reduce risk of electric shock.*
- Avoid body contact with earthed or grounded surfaces such as pipes, radiators, ranges and refrigerators. *There is an increased risk of electric shock if your body is earthed or grounded.*
- Do not expose power tools to rain or wet conditions. *Water entering a power tool will increase the risk of electric shock.*
- Do not abuse the cord. Never use the cord for carrying, pulling or unplugging the power tool. Keep cord away from heat, oil, sharp edges or moving parts. *Damaged or entangled cords increase the risk of electric shock.*
- When operating a power tool outdoors, use an extension cord suitable for outdoor use. *Use of a cord suitable for outdoor use reduces the risk of electric shock.*

#### 3. Personal safety

- Stay alert, watch what you are doing and use common sense when operating a power tool. Do not use a power tool while you are tired or under the influence of drugs, alcohol or medication. *A moment of inattention while operating power tools may result in serious personal injury.*
- Use safety equipment. Always wear eye protection. *Safety equipment such as dust mask, non-skid safety shoes, hard hat, or hearing protection used for appropriate conditions will reduce personal injuries.*
- Avoid accidental starting. Ensure the switch is in the off-position before plugging in. *Carrying power tools with your finger on the switch or plugging in power tools that have the switch on invites accidents.*

- Remove any adjusting key or wrench before turning the power tool on. *A wrench or a key left attached to rotating part of the power tool may result in personal injury.*
- Do not overreach. Keep proper footing and balance at all times. *This enables better control of the power tool in unexpected situations.*
- Dress properly. Do not wear loose clothing or jewellery. Keep your hair, clothing and gloves away from moving parts. *Loose clothes, jewellery or long hair can be caught in moving parts.*
- If devices are provided for the connection of dust extraction and collection facilities, ensure these are connected and properly used. *Use of these devices can reduce dust-related hazards.*

#### 4. Power tool use and care

- Do not force the power tool. Use the correct power tool for your application. *The correct power tool will do the job better and safer at the rate for which it was designed.*
- Do not use the power tool if the switch does not turn it on and off. *Any power tool that cannot be controlled with the switch is dangerous and must be repaired.*
- Disconnect the plug from the power source and/or the battery pack from the power tool before making any adjustments, changing accessories, or storing power tools. *Such preventive safety measures reduce the risk of starting the power tool accidentally.*
- Store idle power tools out of the reach of children and do not allow persons unfamiliar with the power tool or these instructions to operate the power tool. *Power tools are dangerous in the hands of untrained users.*
- Maintain power tools. Check for misalignment or binding of moving parts, breakage of parts and any other condition that may affect the power tools operation. If damaged, have the power tool repaired before use. *Many accidents are caused by poorly maintained power tools.*
- Keep cutting tools sharp and clean. *Properly maintained cutting tools with sharp cutting edges are less likely to bind and are easier to control.*
- Use the power tool, accessories and tool bits etc. in accordance with these instructions and in the manner intended for the particular type of power tool, taking into account the working conditions and the work to be performed. *Use of the power tool for operations different from those intended could result in a hazardous situation.*

#### 5. Service

- Have your power tool serviced by a qualified repair person using only identical replacement parts. *This will ensure that the safety of the power tool is maintained.*

## Important!

When using the equipment, a few safety precautions must be observed to avoid injuries and damage. Please read the complete operating instructions and safety regulations with due care. Keep this manual in a safe place, so that the information is available at all times. If you give the equipment to any other person, hand over these operating instructions and safety regulations as well. We cannot accept any liability for damage or accidents which arise due to a failure to follow these instructions and the safety instructions.

### Explanation of the warning signs on the machine (Fig. 9)

1. **Important.** Read the operating instructions.
2. **Important.** Hot parts. Keep your distance.
3. **Important.** Switch off the engine before refueling.
4. **Important.** Never operate in non-ventilated rooms.

## 1. General safety instructions:

- Always switch off the engine when transporting and refueling the generator.
- Make sure that when you refuel the generator no fuel is spilt on the engine or exhaust pipe.
- Never operate the generator in rain or snow.
- Never touch the generator with wet hands.
- Guard against electric danger. When working outdoors, use only extension cables that are approved for outdoor use and which are marked accordingly (H07RN..).
- The overall length of the extension cables used may not exceed 50 m for 1.5 mm<sup>2</sup> and 100 m for 2.5 m<sup>2</sup>.
- No changes may be made to the settings of the motor or generator.
- Repairs and adjustment work may only be carried out by authorised trained personnel.
- Do not refuel or empty the tank near open lights, fire or sparks. Do not smoke!
- Do not touch any mechanically driven or hot parts. Do not remove the safety guards.
- Do not expose the tools to damp or dust.
- Permissible ambient temperature - 10 to + 40 °C, max. altitude above sea level 1000 m, relative humidity: 90 % (non-condensing)
- The generator is driven by a combustion engine, which produces heat in the area of the exhaust (on the opposite side of the sockets) and the exhaust outlet. You should therefore keep clear of these surfaces because of risk of skin burns.
- The values quoted in the technical data for sound power level (LWA) and sound pressure level (LWM) are emission values and not necessarily reliable workplace values. As there is a correlation between emission and immission levels, the values are not a reliable basis for deciding on any additional precautions which may be needed. Factors influencing the actual user immission level include the properties of the work area, other sound sources etc., the number of machines and other processes in the vicinity, as well as the time span in which the operator is subjected to the noise. Also, the permitted immission level can vary from country to country. Nevertheless, with this information the user is able to make a better assessment of the dangers and risks involved.
- Never use a faulty or damaged electrical equipment (this also applies to extension cables and plug connections).
- No changes may be made to the generator.
- Only original parts may be used for maintenance and accessories.
- Important: Danger of poisoning, do not inhale emissions.
- Children are to be kept away from the generator.
- Important: Risk of burns. Do not touch the exhaust system or drive unit.
- Wear suitable ear protection when in the vicinity of the equipment.
- Important: Petrol and petrol fumes are highly combustible or explosive.
- Never operate the generator in non-ventilated rooms or in easily inflammable adjacency. When operating the generator in rooms with good ventilation, the exhaust gases must be channeled directly outdoors through an exhaust hose. **Important:** Toxic exhaust gases can escape despite the exhaust hose. Due to the fire hazard, never direct the exhaust hose towards inflammable materials.
- Risk of explosion: Never operate the generator in rooms with combustible materials.
- The speed preset by the manufacturer is not allowed to be changed. The generator or connected equipment may be damaged.
- Secure the generator against shifting and toppling during transport.
- Place the generator at least 1m away from buildings and the equipment connected to it.
- Place the generator in a secure, level position.
- Do not turn, tip or change the generator's position while it is working.

<b>Risk of electrocution and fire</b>		
<b>Hazard</b>	<b>What could happen</b>	<b>How to prevent it</b>
<b>Improper storage of extension cord.</b>	Extension cord can come into contact with hot engine parts resulting in damage. Using a damaged extension cord can result in electrocution or death.	Remove extension cord from the generator and store separately away from generator.
<b>Operation of generator in rain, wet, icy, or flooded conditions.</b>	Water is an excellent conductor of electricity! Water which comes in contact with electrically charged components can transmit electricity to the frame and other surfaces, resulting in electrical shock to anyone contacting them.	Operate generator in a clean, dry, well ventilated area. Make sure hands are dry before touching unit.
<b>Placing generator on or against highly conductive surface, such as a steel walkway or metal roof.</b>	Accidental leakage of electrical current could charge conductive surfaces in contact with the generator.	Place generator on low conductivity surface such as a concrete slab.  <b>ALWAYS</b> operate generator a minimum of 2 meters from any conductive surface.
<b>Use of worn, damaged or ungrounded extension cords.</b>	Contact with worn or damaged extension cords could result in electrocution. Use of ungrounded cordsets could prevent operation of circuit breakers and result in electrical shock.	Inspect extension cords before use and replace with new cord if required. Always use a cordset having a grounding wire with an appropriate grounding plug. DO NOT use an ungrounded plug.
<b>Operation of unit when damaged, or with guards or panels removed.</b>	Attempting to use the unit when it has been damaged, or when it is not functioning normally could result in fire or electrocution. Removal of guarding could expose electrically charged components and result in electrocution.	Do not operate generator with mechanical or electrical problem. Have unit repaired by an Authorised Service Centre. Do not operate generator with protective guarding removed.

Risk of fire		
Hazard	What could happen	How to prevent it
<b>Attempting to fill the fuel tank while the engine is running.</b>	Fuel and fuel vapours can become ignited by coming in contact with hot components such as the muffler, engine exhaust gases, or from an electrical spark.	Turn engine off and allow it to cool before adding fuel to the tank. Equip area of operation with a fire extinguisher certified to handle gasoline or fuel fires.
<b>Sparks, fire, hot objects</b>	Cigarettes, sparks, fires, or other hot objects can cause fuel or fuel vapours to ignite.	Add fuel to tank in well ventilated area. Make sure there are no sources of ignition near the generator.
<b>Improper storage of fuel</b>	Improperly stored fuel could lead to accidental ignition. Fuel improperly secured could get into the hands of children or other unqualified persons.	Store fuel in an approved container designed to hold fuel. Store container in secure location to prevent use by others.
<b>Tampering with factory set engine speed settings.</b>	Engine speed has been factory set to provide safe operation. Tampering with the engine speed adjustment could result in overheating of attachments and could cause a fire.	Never attempt to “speed-up” the engine to obtain more performance. Both the output voltage and frequency will be thrown out of standard by this practice, endangering attachments and the user.
<b>Inadequate ventilation for generator</b>	Materials placed against or near the generator or operating the generator in areas where the temperature exceeds 40°C. ambient (such as storage rooms or garages) can interfere with its proper ventilation features causing overheating and possible ignition of the materials or buildings.	Operate generator in a clean, dry, well ventilated area. <b>DO NOT OPERATE UNIT INDOORS OR IN ANY CONFINED AREA.</b>
<b>Overfilling the fuel tank – fuel spillage.</b>	Spilled fuel and its vapours can become ignited from hot surfaces or sparks.	Use care in filling the tank to avoid spilling fuel. Make sure fuel cap is secured tightly and check engine for fuel leaks before starting engine. Move generator away from refuelling area or any spillage before starting engine. Allow for fuel expansion. Never refuel with the engine running.



**Risk of injury and property damage when transporting generator**

<b>Hazard</b>	<b>What could happen</b>	<b>How to prevent it</b>
<b>Fire, inhalation, damage to vehicle surfaces</b>	Fuel or oil can leak or spill and could result in fire or breathing hazard, serious injury or death can result. Fuel or oil leaks can damage carpet, paint or other surfaces in vehicles or trailers.	The generator is equipped with a fuel drain valve, turn the valve to the off position before transporting to avoid fuel leaks. Transport fuel only in an approved fuel container. Always place generator on a protective mat when transporting to protect against damage to vehicle from leaks. Remove generator from vehicle immediately upon arrival at your destination.

**Risk of breathing - inhalation hazard**

<b>Hazard</b>	<b>What could happen</b>	<b>How to prevent it</b>
<b>Gasoline engines produce toxic carbon monoxide exhaust fumes.</b>	Breathing exhaust fumes will cause serious injury or death.	Operate generator in clean, dry, well ventilated area. Never operate unit in enclosed areas such as garages, basements, storage, sheds, or in any location occupied by humans or animals. Keep children, pets and others away from area of operating unit.

**Risk of unsafe operation**

<b>Hazard</b>	<b>What could happen</b>	<b>How to prevent it</b>
<b>Operation of generator in careless manner.</b>	All sources of energy include the potential for injury. Unsafe operation or maintenance of your generator could lead to serious injury or death to you or others.	Review and understand all of the operating instructions and warnings in this manual. <ul style="list-style-type: none"> <li>• Become familiar with the operation and controls of the generator. Know how to shut it off quickly.</li> <li>• Equip area of operation with a fire extinguisher certified to handle gasoline or fuel fires.</li> <li>• Keep children or others away from the generator at all times.</li> </ul>
<b>Operating generator while suspended</b>	Generator will not operate properly and will cause damage to the generator and could cause serious injury or death to you or others.	Never operate generator while suspended or in an unlevel position. Always operate generator on a flat, level surface.

**CAUTION!**

**Read all safety regulations and instructions.**

Any errors made in following the safety regulations and instructions may result in an electric shock, fire and/or serious injury.

**Keep all safety regulations and instructions in a safe place for future use.**

**2. Layout (Fig. 1/4)**

1. Tank indicator
2. Tank cover
3. 2 x 240 V~ socket-outlets
4. Earth connection
5. Overload cut out switch
6. Voltmeter
7. Oil filler plug
8. Oil drain plug
9. Oil shortage cut-out
10. On/Off switch
11. Choke lever
12. Reversing starter
13. Petrol cock

**3. Proper use**

The device is designed for applications operated with a 240 V alternating current source. Be sure to observe the restrictions in the safety instructions. The generator is intended to provide electric tools and light sources with electricity.

When using the device with household appliances, please check their suitability in accordance with the relevant manufacturer's instructions. In case of doubt, ask an authorized dealer of the respective appliance.

The machine is to be used only for its prescribed purpose. Any other use is deemed to be a case of misuse. The user / operator and not the manufacturer will be liable for any damage or injuries of any kind caused as a result of this.

Please note that our equipment has not been designed for use in commercial, trade or industrial applications. Our warranty will be voided if the machine is used in commercial, trade or industrial businesses or for equivalent purposes.

**4. Technical data**

Generator:	Synchronous
Protection type:	IP23
Continuous rated power $P_{rated}$ (S1):	2000 W
Maximum power $P_{ma} \times$ (S2 2 min):	2200 W
Rated voltage $U_{rated}$ :	2 x 240V~
Rated current $I_{rated}$ :	8.7 A
Frequency Frated:	50 Hz
Drive engine design:	4-stroke, air-cooled
Displacement:	196 cm <sup>3</sup>
Max. power:	3.74 kW / 5 hp
Fuel:	Unleaded
Tank capacity:	15 L
Engine oil:	SAE #30
Consumption at 2/3 load:	approx. 1.1 l/h
Weight:	39.1 kg
Sound pressure level $L_{pA}$ :	71.6 dB(A)
Sound power level $L_{WA}$ /Uncertainty K:	94 dB (A)/1.9 dB(A)
Power factor $\cos\phi$ :	1
Protection type:	IP23
Power class:	G1
Max. temperature:	40°C
Max. altitude (above mean sea level):	1000 m
Spark plug:	F6 RTC

**Operating mode S1 (continuous operation)**

The machine can be continuously operated with the quoted power output.

**Operating mode S2 (temporary operation)**

The machine may be temporarily operated with the quoted power output. Afterwards the machine must be stopped for a while to prevent it from overheating.

**3. Before putting the machine into operation****5.1 Electrical safety:**

- Electric supply cables and connected equipment must be in perfect condition.
- The generator is to be operated only with equipment whose voltage specifications conform with the generator's output voltage.

- 11
- Never connect the generator to the power supply (socket-outlet).
  - Keep the cable length to the consumer as short as possible.

### 5.2 Environmental protection

- Dispose of soiled maintenance material and operating materials at the appropriate collection point.
- Recycle packaging material, metal and plastics.

### 5.3 Connecting to earth

The housing is allowed to be connected to earth in order to discharge static electricity. To do this, connect one end of a cable to the earth connection on the generator (Fig. 4) and the other end to an external earth (for example an earthing rod).

## 6. Operation

**Important!** You must fill up with engine oil (approx. 0.6 l) and fuel before you can start the engine.

- Check the fuel level and top it up if necessary
- Make sure that the generator has sufficient ventilation
- Make sure that the ignition cable is secured to the spark plug
- Inspect the immediate vicinity of the generator
- Disconnect any electrical equipment which may already be connected to the generator

### 6.1 Starting the engine

- Open the petrol cock (13) by turning it down
- Move the ON/OFF switch (10) to position "ON".
- Move the choke lever (11) to position IØI.
- Start the engine with the reversing starter (12) by pulling the handle forcefully. If the engine does not start, pull the handle again.
- Push the choke lever (11) back again after the engine has started.

**Important!** When starting with the reserve starter, the motor may recoil suddenly as it starts up, resulting in hand injuries. Wear protective gloves when starting the equipment.

### 6.2 Connecting consumers to the generator

- Connect the equipment you want to use to the 240 V-sockets (3)

**Important:** These sockets may be loaded continuously (S1) with 2000W and temporarily (S2) for a maximum of 2 minutes with 2200W.

- The generator is suitable for 240 V- AC appliances.
- Do not connect the generator to the domestic power network as this may result in damage to the generator itself or to other electrical appliances in your home.

Note: Some electrical appliances (power jigsaws, drills, etc.) may have a higher level of power consumption when used in difficult conditions.

### 6.3 Switching off the engine

- Before you switch off the generator, allow it to run briefly with no consumers so that it can "cool down"
- Move the ON/OFF switch (10) to position "OFF" with the key.
- Close the petrol cock

**Important! The generator is fitted with an overload cut-out.**

This shuts down the sockets (3). You can restart the sockets (3) by pressing the overload cut-out (5).

**Important! If this happens, reduce the electric power you are taking from the generator or remove any defective connected appliances.**

**Important! Defective overload cut-outs must be replaced only by overload cut-outs of identical design and with the same performance data. If repairs are necessary, please contact your customer service center.**

## 7. Cleaning, maintenance and ordering of spare parts

Switch off the motor and pull the spark plug boot from the spark plug before doing any cleaning and maintenance work on the equipment.

**Important: Switch off the machine immediately and contact your service station:**

- In the event of unusual vibrations or noise
- If the engine appears to be overloaded or misfires

### 7.1 Cleaning

- Keep all safety devices, air vents and the motor housing free of dirt and dust as far as possible.

- Wipe the equipment with a clean cloth or blow it with compressed air at low pressure.
- We recommend that you clean the device immediately each time you have finished using it.
- Clean the equipment regularly with a moist cloth and some soft soap. Do not use cleaning agents or solvents; these could attack the plastic parts of the equipment. Ensure that no water can seep into the device.

### 7.2 Air filter

In this connection, please also read the service information.

- Clean the air filter at regular intervals, and replace it if necessary.
- Open both clips (Fig. 5/A) and remove the air filter cover (Fig. 5/B).
- Remove the filter elements (Fig. 6/C)
- Do not use abrasive cleaning agents or petrol to clean the elements.
- Clean the elements by tapping them on a flat surface. In cases of stubborn dirt first clean with soapy water, then rinse with clear water and air-dry.
- Assemble in reverse order

### 7.3. Spark plug (Fig. 7)

Check the spark plug for dirt and grime after 20 hours of operation and if necessary clean with a copper wire brush. Thereafter service the spark plug after every 50 hours of operation.

- Pull off the spark plug boot with a twist.
- Remove the spark plug with the supplied spark plug wrench.
- Assemble in reverse order

### 7.4 Changing the oil and checking the oil level (before using the machine)

The motor oil is best changed when the motor is at working temperature.

- Only use SAE #30 4 stroke motor oil.
- Place the generator on a slightly inclined surface so that the oil drain plug is at the lower end.
- Open the oil filler plug.
- Open the oil drain plug and let the hot engine oil drain out into a drip tray.
- After the old oil has drained out, close the oil drain plug and place the generator on a level surface again
- Fill in engine oil up to the top mark on the oil dip stick (approx. 0.6 liters).
- Important: Do not screw the dipstick in to check the oil level, simply insert it up to the thread.
- Dispose of the waste oil properly.

### 7.5 Automatic oil cut-out

The automatic oil cut-out responds if there is too little oil in the engine. In this case it will not be possible to start the engine or it will cut out automatically after a short period of time. It cannot be started again until the engine oil has been topped up (see point 7.4).

## 8. Disposal and recycling

The unit is supplied in packaging to prevent its being damaged in transit. This packaging is raw material and can therefore be reused or can be returned to the raw material system.

The unit and its accessories are made of various types of material, such as metal and plastic. Defective components must be disposed of as special waste. Ask your dealer or your local council.

TAURUS® is a registered trademark of ALDI Stores.

### ALDI Guarantee

Specially made for ALDI Stores to our stringent quality specifications. If you are not entirely satisfied with this product, please return it to your nearest ALDI store within 60 days from the date of purchase for a full refund or replacement, or take advantage of our after sales support by calling the supplier's Customer Service Hotline.



03/2011