

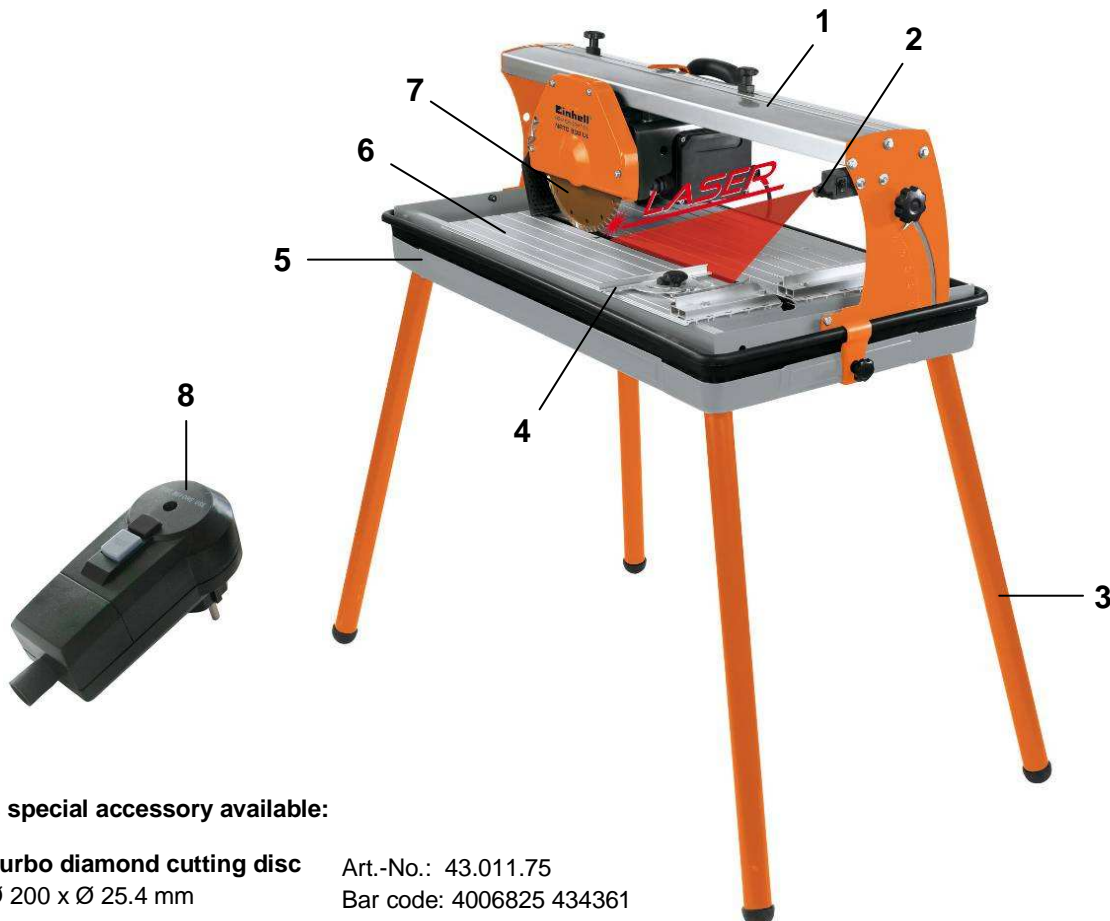
The tile cutting machine can be mounted quickly on the serial type support stand and is therefore suitable for mobile as well as stationary service. With the unit one can cut wall- and floor tile, split tiles etc. Angle and double mitre cuts are possible and also jolly cuts. The turbo-diamond cutting disc is cooled with the integrated pump for cooling liquids and thus an almost dust free operation is possible. A laser projects the cutting line onto the work piece.

### Features

- Motor guidance continuously tiltable from 0° to 45° (1)
- Including laser (2)
- Sturdy feet (3)
- Angle stop with scale for exact cuts (4)
- Large water pan (5)
- Aluminium work table (6)
- Turbo-diamond cutting disc (7)
- RCD-Plug for persons safety (8)
- Motor guidance 4-fold ball bearings
- Aluminium guide rail
- Sturdy machine housing made of sheet steel
- Integrated water pump

### Technical Data

- |                        |                         |
|------------------------|-------------------------|
| ■ Mains:               | 230 V ~ 50 Hz           |
| ■ Power:               | 800 W                   |
| ■ Idle speed:          | 2,950 min <sup>-1</sup> |
| ■ Working table:       | 594 x 385 mm            |
| ■ Cutting depth max.:  | 90°: 30 mm; 45°: 25 mm  |
| ■ Cutting length max.: | 520 mm                  |
| ■ Mitre cuts:          | 0° - 45°                |
| ■ Diamond disc:        | Ø 200 x Ø 25.4 mm       |
| ■ Insulation class:    | IP 54                   |
| ■ Net weight:          | 26.2 kg                 |
| ■ Gross weight:        | 28.0 kg                 |
| ■ Packing dimensions:  | 890 x 490 x 365 mm      |
| ■ Bar code:            | 4006825 553314          |
| ■ Sales unit:          | 1 pc                    |



### As special accessory available:

- |                                   |                          |
|-----------------------------------|--------------------------|
| <b>Turbo diamond cutting disc</b> | Art.-No.: 43.011.75      |
| Ø 200 x Ø 25.4 mm                 | Bar code: 4006825 434361 |