

Congratulations!

You have made an excellent choice with the purchase of this quality Gardenline® product.

By doing so you now have the assurance and peace of mind which comes from purchasing a product that has been manufactured to the highest standards of performance and safety, supported by the high quality standards of ALDI.

We want you to be completely satisfied with your purchase so this Gardenline® product is backed by a comprehensive manufacturer's 3 year warranty and an outstanding after sales service through our dedicated Helpline.

We hope you will enjoy using your purchase for many years to come.

If you require technical support or in the unlikely event that your purchase is faulty please telephone our Helpline for immediate assistance. Faulty product claims made within the 3 year warranty period will be repaired or replaced free of charge provided that you have satisfactory proof of purchase (keep your till receipt safe!). This does not affect your statutory rights. However, be aware that the warranty will become null and void if the product is found to have been deliberately damaged, misused or disassembled.



Declaration of conformity (see chapter "Declaration of conformity").
Products marked with this symbol meet all applicable Community regulations for the European Economic Area.

The Declaration of Conformity for the Gardenline GLPT 2538 Petrol Grass Trimmer is printed on page 51 of this User Manual.

General information

Reading and storing the original instruction manual



This instruction manual accompanies this petrol grass trimmer. It contains important information on start-up and handling.

For improved readability, the “Original instruction manual” will be referred to only as the “Instruction manual”.

Before using the petrol grass trimmer, read the instruction manual carefully. This particularly applies for the safety notes. Failure to heed this instruction manual may result in severe injury or damage to the petrol grass trimmer.

The instruction manual is based on the standards and rules in force in the European Union. When abroad, you must also observe country-specific guidelines and laws.

Store the instruction manual for future use. If you pass the table saw on to third parties, please be absolutely sure to include this instruction manual.

Explanation of symbols

The following symbols and signal words are used in this instruction manual, on the 25cc Petrol Grass Trimmer or on the packaging.

! DANGER!

This signal symbol/word indicates a hazard with high risk that, if not avoided, results in death or a severe injury.

! WARNING!

This signal symbol/word designates a hazard with moderate degree of risk which may lead to death or severe injury if not avoided.

! CAUTION!

This signal symbol/word designates a hazard with low risk that, if not avoided, may result in minor or moderate injury.

NOTICE!

This signal symbol/word warns against potential damages to property.



This symbol provides you with useful supplementary information on assembly or operation.

Use and storage of the user guide

In terms of the GLPT 2538 Petrol Grass Trimmer, this instruction manual provides the information necessary to understand how to safely:

- Assemble the machine, mixing the Petrol/Oil fuel & adding it to the fuel tank.
- Engine Start and Stop procedures.
- The intended use, and how to use it to cut with.
- How to store it.
- Simple maintenance and fault finding.
- If necessary, contacting about repairs, spare parts and warranty claims.

WARNING!

Read all safety regulations and instructions. Any errors made in following the safety regulations and instructions may result in fire and/or serious injury. Keep all safety regulations and instructions in a safe place for future use.

Proper Use

The equipment is designed for cutting lawns and small weeds. The operating instructions as supplied by the manufacturer must be obeyed to ensure that the equipment is used properly.

Any use which is not expressly permitted in these instructions may result in damage to the equipment and place the user in serious danger. Be sure to observe the restrictions in the safety information.

Please note that our equipment has not been designed for use in commercial, trade or industrial applications. Our warranty will be voided if the equipment is used in commercial, trade or industrial businesses or for equivalent purposes.

⚠ DANGER!

Due to the high risk of physical injury to the user, the equipment must not be used to carry out the following work: to clean dirt and debris off walkways, or to chop up tree or hedge clippings. Similarly, the equipment must not be used to level out high areas such as molehills. For safety reasons, the equipment is not allowed to be used as a drive unit for other tools of any kind.

The equipment is allowed to be used only for its intended purpose. Any other use is deemed to be a case of misuse. The user/operator and not the manufacturer will be liable for any damage or injuries of any kind resulting from such misuse.

Reasonably foreseeable misuse

- Not reading the Instructions and Safety advice in this User Guide, before using the product.
- Damage/Injury caused by not switching the engine off.
- Using too much force when bump feeding the line.
- Damage/Injury caused by the cutting line hitting stones/foreign objects which are then catapulted away.

The reprinting or reproduction by any other means, in whole or in part, of documentation and papers accompanying products is permitted only with the express consent of Einhell UK Ltd.

Subject to technical changes.

Safety

Explanation of the symbols and types of instructions used

- 1 Warning!
- 2 Read the instructions before using for the first time!
- 3 Wear protective headgear, goggles and ear Defenders!
- 4 Wear sturdy, non-slip footwear!
- 5 Wear safety gloves!
- 6 Protect the equipment from rain and damp!
- 7 Be careful of objects being catapulted away!
- 8 Always switch off the equipment and disconnect the spark plug boot before carrying out any maintenance work!
- 9 The distance between the equipment and persons in the vicinity must be at least 15 m!
- 10 The cutting tool (blade/cutting line) continues to rotate after the machine is switched off!
- 11 Caution: Hot equipment parts. Keep your distance!
- 12 Do not use any cutting tools made of metal.



Safety devices

When working with the equipment, the appropriate plastic guard hood for the cutting blade mode or cutting line mode must be fitted to prevent objects being thrown out by the equipment. Failure to remove these objects may result in accident or injury if they are catapulted away. The integrated blade in the cutting line guard hood automatically cuts the line to the optimum length. Keep hands away from the cutting blade otherwise fingers may get cut.

WARNING!

Before using

- **Wearing personal protective gear such as, safety gloves, non-slip safety shoes, long trousers, a protective helmet or ear protection reduces the risk of injury.** If you have long hair, wear a hair net. Never mow barefoot or in sandals.
- **Check the ground on which the equipment will be used and remove all objects that could be caught up and catapulted away.** Failure to remove these objects may result in accident or injury if they are catapulted away.

CAUTION!

Petrol is highly flammable! There is a risk of fire if the petrol fuel is not handled and stored carefully! Therefore:

- Only store petrol in containers designed to hold petroleum-based liquids.
- Only refuel out in the open and do not smoke during the refuelling process.
- Always refuel before starting the engine. Do not open the fuel tank cap and do not refuel while the engine is running or when the equipment is hot.
- If petrol has overflowed, do not under any circumstances attempt to start the engine. Instead, remove the equipment

from the affected area. Avoid starting the engine until the petrol fumes have completely evaporated.

- For safety reasons, the petrol tank and the tank cap must be replaced if they are damaged.
- **Replace defective silencers. Defective silencers can cause engine running problems and hearing damage.**
- **Before using the Petrol Grass Trimmer, visually inspect it to ensure that the mounting bolts and the entire cutting apparatus are in good working order (i.e. not worn out or damaged). To prevent any imbalance, replace worn out or damaged mounting bolts as a set only. An unbalanced machine can cause damage to the machine, parts and cause additional vibrations possibly resulting in injury.**

 **WARNING!**

Read and follow the operating instructions and safety information before using for the first time. Failure to follow the safety notes and instructions may result in damage to the machine, fire and/or personal injury.

When using equipment, a few safety precautions must be observed to avoid injuries and damage. Please read the complete operating manual with due care. Keep this manual in a safe place, so that the information is available at all times. If you give the equipment to any other person, give them these operating instructions as well. We accept no liability for damage or accidents which arise due to non-observance of these instructions and the safety information.

- This equipment is not designed to be used by people (including children) with limited physical, sensory or mental capacities or those with no experience and/or knowledge unless they are supervised by a person who is responsible for their safety or they have received instructions from such a person in how to use the equipment safely.
- **Children must always be supervised in order to ensure that they do not play with the equipment.**

- Never allow other persons who are not familiar with the operating instructions to use the equipment. Contact your local governmental agency for information regarding minimum age requirements for the user.
- Never mow in the direct vicinity of persons - especially children or animals.

⚠ WARNING!

Maintain a safety distance of 15 m. If approached, switch off the equipment immediately. Always keep in mind that the user of the equipment is responsible for accidents involving other persons or their property.

⚠ DANGER!

Danger of poisoning. Emissions, fuels and lubricants are toxic. Do not inhale emissions.

Safety instructions

1. Operation, storage and monitoring

- Wear close-fitting work clothing which is in good condition and which offers protection, such as long trousers, sturdy work shoes, hard-wearing gloves, a helmet, a face mask or goggles to protect your eyes, and good quality ear defenders to reduce the noise.** Wearing personal protective gear such as, safety gloves, non-slip safety shoes, long trousers, a protective helmet or ear protection reduces the risk of injury. If you have long hair, wear a hair net.
- Store the equipment in a safe place. Open the petrol tank cap slowly to release any pressure that may have formed in the petrol tank.** To prevent the risk of fire, move at least 3 metres from the refuelling area before you

- start the equipment. There is a risk of fire if the petrol fuel is not handled and stored carefully.
- c) **Switch off the equipment before you put it down.** If the machine has not stopped when placing it down there is risk of rotating parts touching the ground and quickly twisting the machine causing damage or personal injury.
 - d) **Always hold the equipment firmly in both hands. Your fingers and thumbs should be wrapped around the handles.** Using the machine with only one hand, will cause bad stability (overbalancing) and could result in damage to the machine, or personal injury.
 - e) **Ensure that all screws and connecting elements are secure. Never use the equipment if it has not been properly adjusted or has not been fully or safely assembled.** Loose parts and screws could cause damage to the machine or personal injury if parts come loose or fall off during use. There is also a greater risk of vibration injury if screws are not tight.
 - f) **Make sure that the handles are clean and dry and that there is no petrol mixture on them.** Moist or greasy surfaces may cause slipping control elements and could result you losing control of the machine.
 - g) **Set the line spool to the required height. Avoid touching small objects such as stones with the line spool.** Touching small objects such as stones with the spool may result in accident or injury if they are catapulted away.
 - h) **When carrying out cutting work on a slope, always stand at a lower level than the cutting tool.** Never cut or trim on a smooth, slippery hill or slope. This could result you losing control of the machine.

- i) **Check area you will be trimming for debris that may be struck or thrown during operation.** Striking small objects such as stones with the spool may result in accident or injury if they are catapulted away.
- j) **Keep all parts of your body and items of clothing away from the line spool when you start the engine and when the engine is running. Before you start the engine ensure that the line spool will not strike an obstacle.** Allowing the line spool to be too close to your body or clothing could result in damage to your clothing, or personal injury.
- k) **Always switch off the engine before working on the cutting tool.** If the engine is left running there is risk of damage or injury.
- l) **Store the equipment and accessories in a safe place protected from naked flames and heat/ spark sources such as gas heaters, tumble driers, oil stoves or portable radiators, etc.** There is a risk of fire if the petrol fuel is not handled and stored carefully.
- m) **Keep the guard hood, line spool and engine clear of cut debris at all times.** Cut debris, if caught by the line could be catapulted towards the users face, etc. which could cause overbalancing resulting in damage to the machine, or personal injury.
- n) **Only adequately trained people and adults may use, adjust and maintain the equipment.** This will ensure that the safety of the machine is not compromised.
- o) **If you are not familiar with the equipment, practice handling it with the engine off.** An inexperienced operator can cause damage or injury by using the machine in the wrong way.

- p) **Always check the site you want to cut before you begin your work. Solid objects such as pieces of metal, bottles, stones, etc. can be catapulted away and cause serious injuries and permanent damage to the equipment. If you touch a solid object with the equipment by mistake, switch off the engine immediately and check the equipment for signs of damage. Never use the equipment if it is damaged or defective.** Using a damaged or defective machine can result in accident or injury.
- q) **Ensure that the cutting spool does not turn when the engine is idling.** If this happens, stop using the machine and have it adjusted or repaired. Risk of accident or injury.
- r) **Always operate the equipment in its high speed range for trimming and cutting. Do not let the engine run at low speed at the start of cutting or during trimming work.** Cutting at too low a speed could cause line snagging or clutch wear / engine stalling resulting in damage or injury.
- s) **Only use the equipment for the purpose for which it is intended, such as trimming and cutting weeds.** Other use could lead to damage of the machine, or an accident.
- t) **Never hold the line spool above knee height when the equipment is in operation.** This may cause overbalancing which could result in damage to the machine, or serious personal injury or death.

- u) **Do not use the equipment if other people or animals are in the immediate vicinity. Keep a minimum distance of 15 m between yourself and other people or animals when cutting. Keep a distance of 30 m if you are cutting down to the ground.** This will help reduce or eliminate an accident or injury if small objects such as stones are caught by the line and catapulted away.

2. Additional instructions

- a) **Do not use any fuel other than that recommended in the operating instructions. Always follow the instructions in the section 'Fuel and oil' on page 31.** Do not use petrol that has not been mixed correctly with 2-stroke oil. Otherwise there is a risk of causing permanent damage to the engine and of voiding the manufacturer's guarantee.
- b) **Do not smoke while refuelling or using the equipment.** There is a risk of the petrol fuel setting on fire from someone smoking in the vicinity of the fuel / machine.
- c) **Never use the equipment without the exhaust pipe and properly installed exhaust shield.** Using the equipment without the exhaust pipe and properly installed exhaust shield can cause hearing damage.
- d) **Do not touch the exhaust pipe, spark plug or other metallic parts with your hands or body while the engine is running or shortly after it is switched off as this can cause severe burns or electric shock.** Hold the equipment so that your fingers and thumbs are wrapped around the handle.

- e) **Do not use the equipment in an uncomfortable posture, off balance or with extended arms or with only one hand.** Always use both hands on the equipment and wrap your fingers and thumbs around the handles. Burn Hazard.
- f) **Always keep the line spool on the ground whilst the equipment is in operation.**
- g) **Use the equipment only for the purpose for which it is intended, such as trimming and cutting weeds.**
- h) **Do not use the equipment over a extended periods of time - take regular breaks.** Tiredness whilst using a machine could result in damage to the machine, or personal injury.
- i) **Do not use the equipment when under the influence of alcohol or drugs.** Being under the influence of drugs or alcohol whilst using a machine could result in damage to the machine, or personal injury.
- j) **Use the equipment only when the guard hood is fitted and in good working order.** Not having the guard fitted whilst operating the machine could result in damage or injury.
- k) **Any modifications to the product may place your personal safety at risk and cause the manufacturer's warranty to be voided.**
- l) **Never use the equipment near inflammable liquids or gases, neither in enclosed rooms nor outdoors. This may cause explosions and/or fire.** Fire/explosion risk.

- m) **Do not use any other cutting tools. For your own safety you must use only the accessories and attachments which are listed in the operating instructions or which are recommended or specified by the manufacturer.**

The use of cutting tools or accessories other than those recommended in the operating instructions or catalogue may place your personal safety at risk. Using non-approved accessories with the machine can result in accident or injury.

3. Safety of persons

- a) **Be careful, pay attention to what you are doing and approach work with a petrol machine in a reasonable manner. Do not use any petrol machine if you are tired or under the influence of drugs, alcohol or medication.** A single moment of inattentiveness when using the petrol machine can result in serious injury.
- b) **Always wear personal protective gear and a breathing mask in necessary.** Depending on the type of petrol machine and how it is used, wearing personal protective gear such as a dust mask, non-slip safety shoes, a protective helmet or ear protection reduces the risk of injury. If you have long hair, wear a hair net. Use a breathing mask if performing dusty work.
- c) **Avoid accidents whilst carrying the device between using. Make sure that the petrol machine is turned off before you pick it up or carry it.** If the engine is running and you have your hand/fingers on the throttle lever and throttle lock when carrying the petrol machine, this may cause an accident.

- d) Remove all adjusting tools or spanners before you switch the petrol machine on. A tool or spanner in contact with a rotating part of the device may result in injury.
- e) Avoid an abnormal posture. Maintain a safe stand and keep your balance at all times. This will allow you to have better control of the petrol machine in the event of unexpected situations.
- f) **Wear suitable clothing. Do not wear any loose-fitting clothing or jewellery. Keep your hair, clothing and gloves away from the moving parts.** Loose clothing, jewellery or long hair may get caught in the moving parts. It is recommended that you wear firm gloves, sturdy non-slip footwear ear defenders and protective goggles.

4. Using and handling the petrol machine

- a) **Do not overload the device. Use the right petrol machine for your work.** The right petrol machine will ensure that you work more effectively and safely within the specified power range.
- b) **Do not use a petrol machine if its switch is defective.** A petrol machine that can no longer be switched on or off is dangerous and must be repaired.
- c) **Pull off the spark plug boot and remove the spark plug before you make any adjustments to the device, or make changes to the line spool.** This precaution will prevent the petrol machine from accidentally starting.
- d) **Keep unused petrol machines out of the reach of children. Do not let persons use the device who are not familiar with the device or have not read these instructions.** Petrol machines are dangerous if used by inexperienced persons.

- e) **Take good care of the petrol machines. Check to make sure that the moving parts are functioning properly and not stuck, whether parts are broken or damaged so as to affect the function of the petrol machine. Have damaged parts repaired or replaced before you use the device.** A large number of accidents are caused by poorly maintained petrol machines.
- f) **Keep your line cutting blade sharp and clean.** Well maintained cutting tools with sharp cutting edges are less likely to catch debris and are easier to guide.
- g) **Use the right tool.** Do not use any tools or attachments that are not powerful enough for heavy duty work. Do not use the tools for purposes and tasks which they are not intended for; Example: do not use a grass trimmer to try to fell trees or cut off branches.
- h) **Use the petrol machine, accessories, etc. in accordance with these instructions. At the same time, consider the working conditions and the work to be performed.** Using petrol machines for applications other than the intended ones may result in dangerous situations.

5. Service

- a) **Only have your petrol machine repaired by a qualified professional and only with original spare parts.** This will ensure that the safety of the petrol machine is not compromised.

⚠ WARNING!

Danger for children and persons with impaired physical, sensory or mental capacities (e.g. partially disabled persons, older persons with reduced physical and mental capacities) or lack of experience and knowledge (e.g. older children).

- The grass trimmer may not be used by children and persons with impaired physical, sensory or mental capacities or lack of experience and knowledge.
- The operator must be at least 18 years of age; trainees who are at least 16 years of age may only operate the device if they are supervised.
- Children may not play with the grass trimmer. Cleaning and user maintenance must not be performed by children.
- Do not allow children to play with the packaging wrapper. They may get caught in it when playing and suffocate.
- Make sure that children do not insert any objects in the grass trimmer.

⚠ WARNING!

Risk of electric shock from the spark plug boot/spark plug!

If the spark plug boot is damaged, or not mounted back in the correct position this may result in a high voltage electric shock if the engine is held during the starting procedure, or whilst the engine is running.

- Never operate the grass trimmer in the wet or in the rain as this can increase the risk of electric shock from the spark plug boot.

▲ WARNING!**Risks associated with using the grass trimmer**

If used improperly or in a negligent manner, the grass trimmer can inflict serious injury!

- Carefully read through the instructions on proper handling, preparatory steps, maintenance, starting and switching off the grass trimmer. Familiarise yourself with all controls and switches as well as proper use of the grass trimmer.
- The rotating spool and cutting line poses a risk of injury for other persons, animals and your hands and fingers. Pay attention to the direction of rotation of the spool and cutting line.
- Set up the grass trimmer in a stable position.
- Prevent accidental start-up. Pull off the spark plug boot and remove the spark plug before you make any adjustments to the device, or make changes to the line spool.
- Safety devices on the machine may not be removed or dismantled.
- Check to make sure that moving parts are functional, that they are not jammed and that the parts are not damaged. All parts must be properly fitted to guarantee the safety of the device.
- Damaged protective devices and parts must be professionally repaired or replaced by a customer service workshop to the extent not otherwise specified in the instruction manuals.

- You must replace a worn or damaged spool. Pull off the spark plug boot and remove the spark plug before doing so.
- Damaged switches must be replaced by a customer service workshop. Do not use any tools if the power switch cannot be turned on and off.
- Defects in the machine, including defects affecting protective devices and the spool and line, must be reported to the person responsible for safety as soon as they are identified.
- For your own safety, only use accessories and auxiliary equipment specified in the instruction manual or recommended or specified by the tool manufacturer. Using tools or accessories other than those recommended in the instruction manual or catalogue may put you at risk of personal injury.
- The following factors may influence the effect of noise on the operator:
- Over-extended use for long periods of time. Take regular breaks with the machine switched off.

6. Safe operation

- The safety, working and maintenance notes of the manufacturer as well as the dimensions specified in the technical data must be complied with.
- Applicable accident prevention regulations and other generally recognised safety rules must be complied with.
- The operator must be informed about factors affecting the release of debris and dust, e.g. the type of grass being cut (mown), dust in dry conditions and the correct configuration of guard.
- Wear a dust mask in dry conditions to prevent dust inhalation every time you perform any work.
- Before start-up, the protective guard must be correctly fitted and the grass trimmer should never be operated without the protective guard.
- Always position yourself to the left hand side of the grass trimmer when working.
- Guide the grass trimmer properly.
- Always fit and use the carrying to safely support the grass trimmer.
- Never stress the grass trimmer so that it comes to a stop. Make sure that the grass cuttings and debris are not caught around the line cutting blade fitted underneath the guard.
- Never remove debris from the machine, while the engine is running.
- To remove debris from the cutting line guard, switch the machine off and pull off the spark plug boot and remove the spark plug.

- Do not use the grass trimmer to cut brush, bushes or branches.
- Do not in any case push against the side of the spool and line to stop it after switching off the engine.
- Observe the notes for lubricating the machine, and changing/replacing spools and lines.
- All protective and safety devices must be immediately remounted once repairs or maintenance are complete.

7. Safety notes for handling spools and cutting lines

- Keep your spools clean and free from debris. Well maintained cutting spools are less likely to allow the cutting line to catch and are easier to guide.
- Do not use damaged or cracked spools. It is not permissible to repair them. Damaged or cracked spools may disintegrate during use. (Catapulting hazard)
- Incorrectly rewinding the cutting line onto the spool can cause incorrect feeding of the cutting line and jamming. (Catapulting hazard)
- When mounting the spools, it must be ensured that they are clamped in place on the spindle of the grass trimmer by tightening the spool knob by hand and then with the plastic key supplied.

8. Residual risks

Despite being used properly, certain residual risk factors cannot be completely ruled out. The following risks associated with the design and construction of the machine may apply:

- Contact with the part of the spool and line that is not covered.
- Moving the grass trimmer close to other persons or animals, or reaching close to the rotating spool and line (cut injury).
- Breaking of the spool and parts, due to hitting the spool on the ground too hard, during line feeding. (Catapulting hazard).
- Breaks of the cutting line (Catapulting hazard).
- Catapulting of small objects such as stones if hit by the rotating line or spool.
- Hearing loss in the event of failure to use the required ear protection.
- Inhaling of fumes from exhaust gasses, fuels and lubricants that are toxic and harmful to health. (Danger of poisoning).

9. Safety and protective equipment

- Guard.
- Shoulder strap.
- Additional handle.

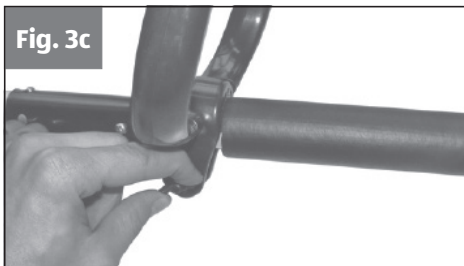
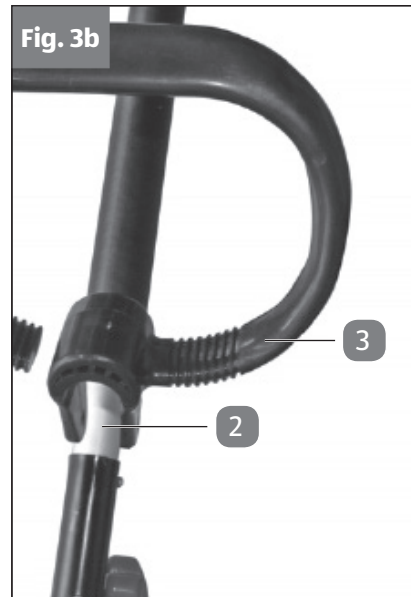
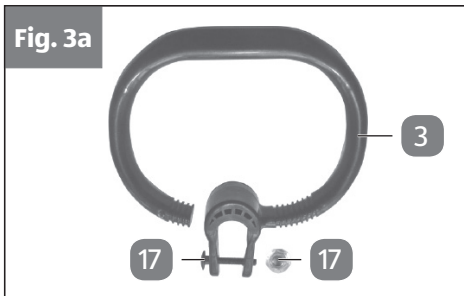
Set up

Before starting the equipment

Check that all moving parts move smoothly before you start using the equipment.
Check that all screws are securely fastened and also check all the safety devices.

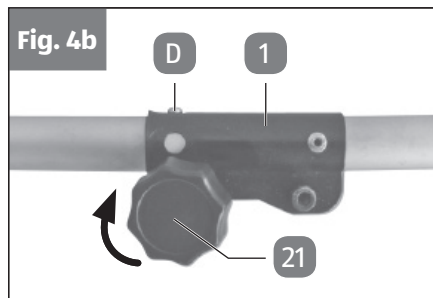
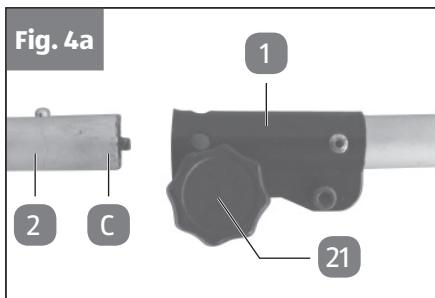
1. Fitting the additional handle (Fig. 3a-3c)

Slacken the nut on the fastening screw on the handle (Fig. 3a/Item 17). Remove the nut and the fastening screw (Fig. 3a/Item 17) from the handle and clip the additional handle over the long handle (2). Then screw the handle to the long handle. Relocate the screw into the handle and fit and tighten the locking nut with the supplied 8/10 mm open ended spanner.



2. Fitting the long handle (Fig. 4a-4b)

No tools are required for this part of the assembly. Remove the transport guard cap from the lower long handle. Undo the handle screw (Fig. 4a/Item 21) on the connecting piece of the upper long handle (1). Carefully slide the lower long handle (Fig. 4a/Item C) into the connecting piece on the upper long handle. When doing so, take care to ensure that the drive shafts on the insides of the long handles slide into each other (turn the spool head gently, if required) and that the spring lock (Fig. 4a/Item 2) on the lower long handle latches securely in the connecting piece (Fig. 4b/Item D). Now retighten the handle screw (21). To dismantle, proceed in reverse order.

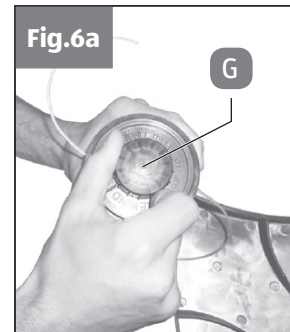
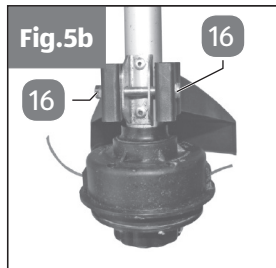
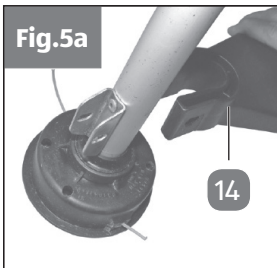


3. Fitting the guard hood

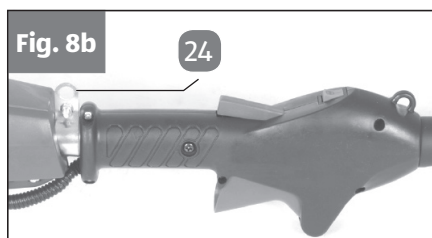
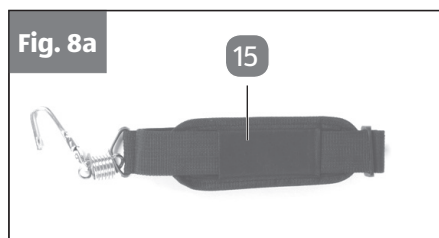
⚠ WARNING!

The guard hood (14) must be fitted at all times.

Attach the guard hood (14) to the lower long handle (Fig. 5a). Screw the guard hood tightly in position with the screw set (16) (Fig. 5b). Locate the screw through the guard hood and bracket on the lower shaft and tighten the locking nut with the supplied 8/10 mm open ended spanner.



Fit the spool assembly (13) to the bottom of the drive shaft, aligning the hexagonal hole in the spool to the shaft (Fig. 5c), and then add the retaining screw (Fig. 6a/Item G) and tighten clockwise. Use the key (10) to fully tighten the retaining screw (Fig. 5d).



4. Setting the cutting height

- No tools are required for this part of the assembly. Fit the carrying strap (Fig. 8a/Item 15) to the hook on the long handle (Fig. 8b/Item 24).
- Slip the shoulder strap (Fig. 8a) from the RHS, over the left shoulder.
- Set the length of the shoulder strap in such a way that the cutting head runs parallel to the ground.
- In order to establish the optimum length of the shoulder strap, you should then make a few swinging movements without starting the engine (Fig. 9a).

⚠ WARNING!

Always use the strap when working with the equipment. Attach the strap as soon as you have started the engine and it is running in idle mode. Switch off the engine before you take off the carrying strap.



5. Fuel and oil – Recommended fuels

Use only a mixture of unleaded petrol and special 2-stroke engine oil. Mix the fuel mixture as indicated in the fuel mixing table.

CAUTION!

Do not use a fuel mixture which has been stored for longer than 90 days.

CAUTION!

Never use 2-stroke oil with a recommended mixing ratio of 100:1. The manufacturer's warranty will be voided in case of engine damage due to inadequate lubrication.

CAUTION!

Only use containers designed and approved for the purpose to transport and store fuel. Pour the correct quantities of petrol and 2-stroke oil into the mixing bottle provided (see scale printed on the bottle). Then shake the bottle well.

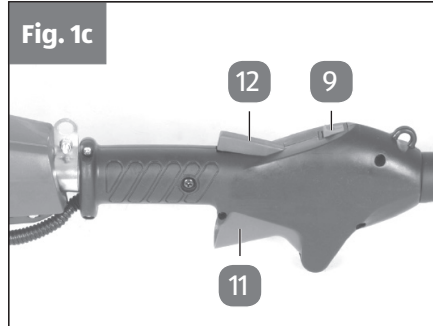
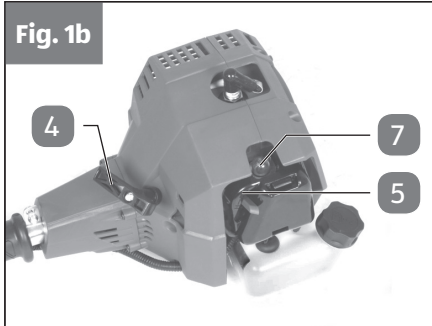
6. Fuel mixing table

Mixing Procedure: 40 parts petrol to 1 part 2-stroke oil.

Petrol	2-stroke oil
1 litre	25 ml
5 litres	125 ml

Use

Description of the components and control elements



- 4 Starter line / starter cable.
- 5 Choke lever.
- 7 Fuel pump “primer”.
- 9 ON/OFF switch.
- 11 Throttle lever.
- 12 Throttle lock.

Functional description

Proper use

The Petrol Grass Trimmer is to be used only for its prescribed purpose. Any other use is deemed to be a case of misuse. The user/operator and not the manufacturer will be liable for any damage or injuries of any kind caused as a result of this.

Please note that our equipment has not been designed for use in commercial, trade or industrial applications. Our warranty will be voided if the machine is used in commercial, trade or industrial businesses or for equivalent purposes.

Operation

Please note that the statutory regulations governing noise abatement may differ from one location to another.

Each time before use, check the following:

- That there are no leaks in the fuel system.
- That the equipment is in perfect condition and that the safety devices and cutting devices are complete.
- That all screws are securely fastened.
- That all moving parts move smoothly.

Starting the engine when cold (See Fig. 1b - Fig. 1c)

Fill the tank with the oil/petrol mix. See also 'Fuel and oil' on page 31.

1. Set the equipment down on a hard, level surface.
2. Press the fuel pump (primer) (Fig. 1b/Item 7) 10 times.
3. Move the On/Off switch (Fig. 1c/Item 9) to 'I'.
4. Set the choke lever (Fig. 1b/Item 5) to 'L'.
5. Hold the equipment firmly and pull out the starter cable (Fig. 1b/Item 4) until you feel it begin to resist. Then tug sharply on the starter cable 4 times. The equipment should start.
6. Once the engine has started, allow the equipment to warm up for 10 seconds.

CAUTION!

Never allow the starter line to snap back when it has been pulled out. This may result in damage.

CAUTION!

Since the choke (5) is closed, the cutting tool starts to operate immediately the engine is started.

7. Then release the choke (5) by actuating it once. Actuating the throttle lever will also release the choke lever. (The engine returns to its idle state). If the engine does not start up, repeat steps 5-6 above.



If the engine does not start up even after several attempts, read the section 'Malfunction and remedy (FAQ)' on page 39.



Always pull out the starter cable in a straight line. If it is pulled out at an angle, friction will occur on the eyelet.



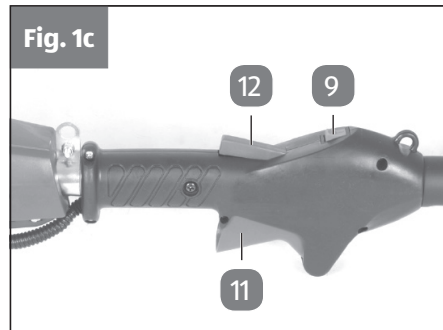
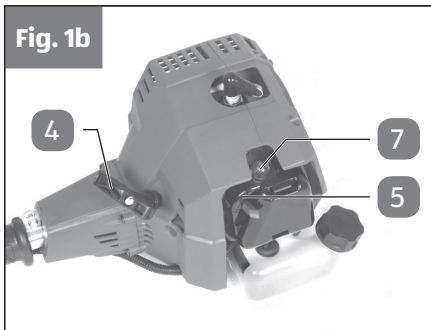
As a result of this friction, the starter line will become frayed and will wear away faster. Always hold the starter cable when the starter line retracts.

Operation (Continued)

Starting the engine when warm

(The equipment has been idle for less than 15-20min)

1. Set the equipment down on a hard, level surface.
2. Switch the On/Off switch to 'I' (Fig. 1/Item 9).
3. Hold the equipment firmly and pull out the starter cable until you feel it start to resist. Then tug sharply on the starter cable. The equipment should start after 1-2 tugs. If the equipment does not start after 6 tugs, repeat steps 1-6 of the procedure for starting the engine from cold (See page 33).



Switching off the engine

Emergency Stop procedure:

If it becomes necessary to stop the equipment immediately, set the On/Off switch (9) to 'Stop' or '0'.

Normal procedure:

Let go of the throttle lever (11) and wait until the engine has changed to idling speed. Then set the On/Off switch (9) to 'Stop' or '0'.



Practice all the work steps with the engine switched off before you start to use the equipment.

Extending the cutting line

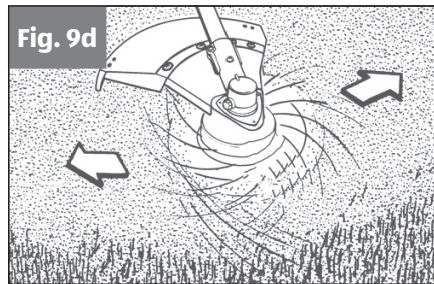
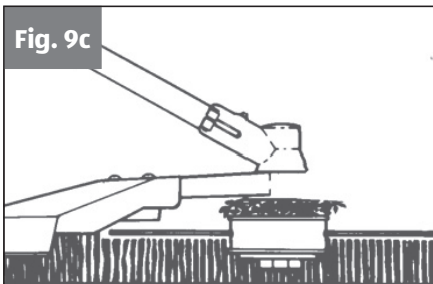
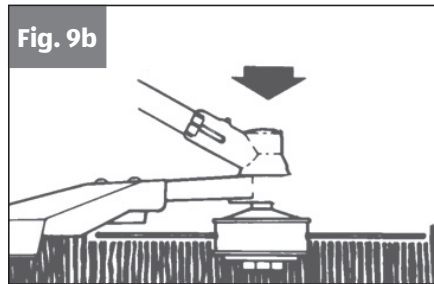
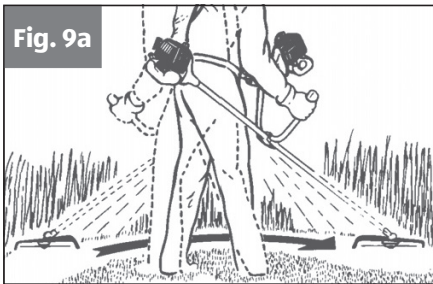
⚠ CAUTION!

Do not use of metal wire or metal wire encased in plastic in the line spool. This may cause serious injuries to the user.



As a result of this friction, the starter line will become frayed and will wear away faster. Always hold the starter cable when the starter line retracts.

To extend the cutting line (13), run the engine at full speed and tap the line spool on the ground. This will automatically extend the line. The blade on the guard hood will cut the line to the permissible length (Fig. 9b).



Different cutting methods

When the equipment is correctly assembled it will cut weeds and long grass in places which are difficult to access, e.g. along fences, walls and foundations and also around trees. It can also be used for 'mowing' down vegetation so that a garden can be better prepared or a certain area cleared down to the soil.



Even if it is used carefully, cutting around foundations, stone or concrete walls, etc. will result in the line suffering more than the normal level of wear.

Trimming/mowing

Swing the equipment from side to side in a scything motion. Always keep the cutting tool parallel to the ground.

Check the site and decide which cutting height you require. Guide and hold the cutting tool at the required height to ensure that you cut evenly (Fig. 9d).

Low trimming

Hold the trimmer right in front of you at a slight angle so that the underside of the line spool is above the ground and the line strikes the correct target. Always cut away from yourself. Never draw the equipment towards yourself.

Cutting along fences/foundations (with line spool)

Approach wire mesh fences, lath fences, natural stone walls and foundations slowly so that you can cut close to them without striking the obstacle with the line. If, for example, the line strikes stones, stone walls or foundations, it will wear or fray. If the line strikes wire fencing, it will break.

Trimming around trees (with line spool)

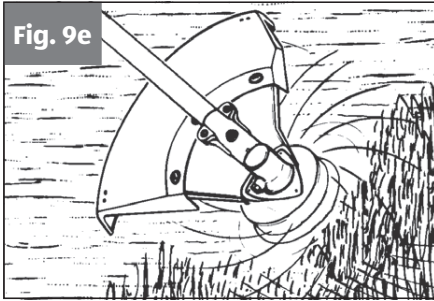
When trimming around tree trunks, approach slowly so that the line does not strike the bark. Walk around the tree and take care not to damage the tree. Approach grass or weeds with the tip of the line and tilt the line spool forwards slightly.

Take extreme care during mowing work. When doing such work keep a distance of 30 meters between yourself and other people or animals.

Extending the cutting line

Cutting down to the ground (Mowing)

When cutting down to the ground you will cut all the vegetation. To do this, set the line spool at an angle of 30° to the right. Place the handle in the required position (Fig. 9e).



⚠ CAUTION!

Increased risk of injury to the user, bystanders and animals, and increased risk of damaging property due to objects (e.g. stones) being catapulted away.

⚠ CAUTION!

Do not use the equipment to remove objects from footpaths, etc. The 2 in 1 Petrol Grass Trimmer/Brush Cutter is a powerful tool and can catapult small stones and other objects a distance of 15 metres or more, causing injuries and damage to cars, houses and windows.

Sawing

The equipment is not suitable for sawing.

Malfunction and remedy (FAQ)

The motor does not start	Correct starting procedure not followed	Follow the instructions for starting
	Sooted or damp spark plug	Clean the spark plug or replace it with a new one
	Incorrect carburettor setting	Contact either an authorized customer service outlet or the After Sales support details at the bottom of the page
The equipment starts but does not develop its full power	Incorrect choke lever setting (See page 35)	Set the choke lever to '✎'
	Soiled air filter (See page 44)	Clean the air filter
	Incorrect carburettor setting	Contact either an authorized customer service outlet or the After Sales support details at the bottom of the page
The engine does not run smoothly	Incorrect electrode gap on the spark plug	Clean the spark plug and adjust the electrode gap or fit a new spark plug
	Incorrect carburettor setting	Contact either an authorized customer service outlet or the After Sales support details at the bottom of the page
Engine smokes excessively	Incorrect fuel mix	Use the correct fuel mix (see fuel mixing table)
	Incorrect carburettor setting	Contact either an authorized customer service outlet or the After Sales support details at the bottom of the page

Cleaning

Carrying out any cleaning work

- The equipment should be cleaned thoroughly every time after it has been used. This applies particularly to the cutting tool and the guard hoods.
- Keep the air vents and the motor housing free of dirt and dust as far as possible. Wipe the equipment with a clean damp cloth or blow it down with compressed air at low pressure.
- It is easiest to remove dirt and grass immediately after use.
- Clean the equipment regularly with a damp cloth and some soft soap. Do not use cleaning agents or solvents; these may be aggressive to the plastic parts in the equipment. Ensure that no water can get into the interior of the equipment.

Maintenance and servicing

Grinding the safety hood blade

You will need a No 2PH cross point screwdriver to remove the screw, and a flat file to sharpen the blade.

The safety hood blade (Fig. 7a/Item R) can become blunt over time. When you notice this, undo the screw holding the safety hood blade to the safety hood. Clamp the blade in a vice. Sharpen the blade with a flat file and make sure that the angle of the cutting edge is not altered in the process. File in one direction only.

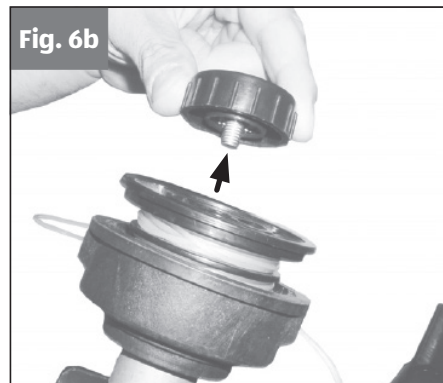
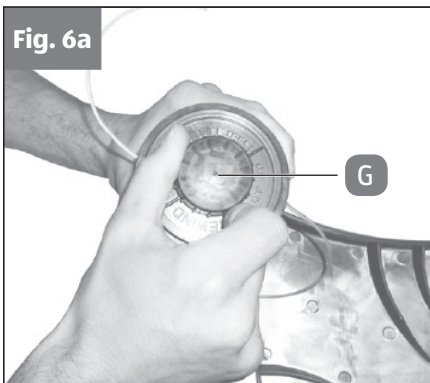
Carburettor settings

NOTICE!

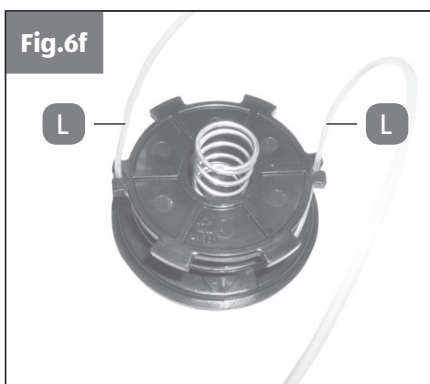
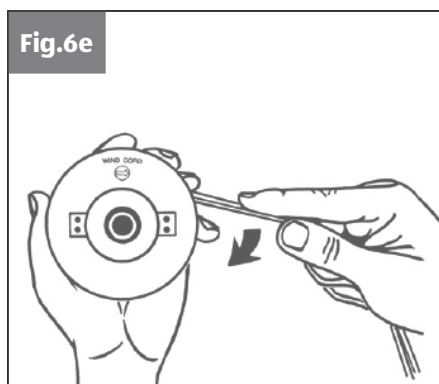
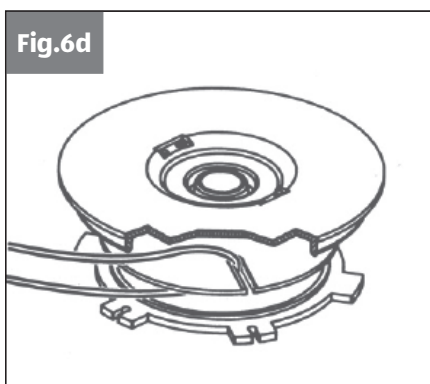
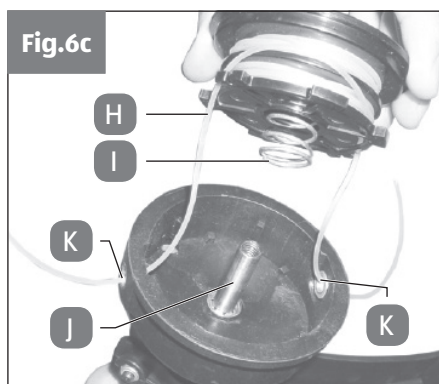
Settings on the carburettor may only be made by authorized customer service personnel. The air filter cover must be removed before any work on the carburettor, as shown in Figures 10a and 10b.

Replacing the line spool/cutting line

1. Unscrew the retainer screw (Fig. 6a/Item G) in a counter-clockwise direction and remove (Fig. 6b). If you fail to do this by hand, use the key (Fig. 2/Item 10). You may require no tools for this part of the maintenance, but if the spool retainer screw is too tight, then use the supplied plastic key (Fig. 2/Item 10 & Fig. 5d).



2. Remove the spool (Fig. 6c/Item H) and the spring (Fig. 6c/Item I) from the spindle (Fig. 6c/Item J). The following steps only have to be carried out if only the line and not the entire spool requires replacing:
 - Remove the remaining cutting line from the spool.
 - Hold the two halves of a new cutting line together in the middle and place the loop in one of the slots on the spool divider (Fig. 6d).
 - Wind the line with tension in a counter-clockwise direction as shown in the illustration (Fig. 6e), with the two halves being separated by the spool divider. Wind up all of the line down to the last 15 cm of each end.
3. Fasten each of the ends of the line in a slot (Fig. 6f/Item L) on the opposite side of the spool.
4. Fit the springs on the inside of the spool and thread each of the ends of the line through one of the eyelets in the spool holder (Fig. 6c/Item K).



5. Insert the spool in the spool holder. Make sure that the spring slides over the spindle and does not get stuck.
6. Press the spool into the spool holder with your hand and use your other hand to fasten the retainer screw tightly (Fig. 6g).



7. Give each end of the line a strong tug to pull the line out of the slots.
8. Cut off all excess line to reduce it to approx. 13 cm. This will reduce the load on the engine when starting up and warming up.

Maintenance and ordering of spare parts

Always switch off the equipment and disconnect the spark plug boot (23) before carrying out any maintenance work.

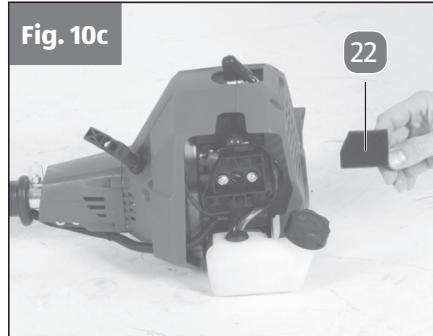
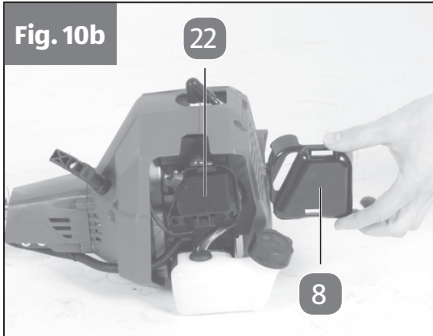
Maintenance of the air filter

Soiled air filters reduce the engine output by supplying too little air to the carburettor. Regular checks are therefore essential. The air filter (22) should be checked after every 25 hours of use and cleaned if necessary. If the air contains a lot of dust, the air filter should be checked more frequently.

1. Remove the cover from the air filter housing (Fig. 10a/Item 8).



2. Remove the air filter (Fig. 10b & 10c/Item 22).



3. Clean the air filter by tapping it or blowing it out (with compressed air).
4. Assemble in reverse order.

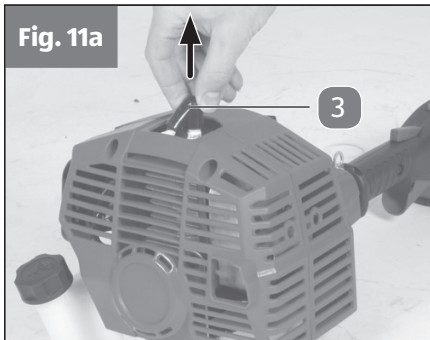
NOTICE!

Never clean the air filter with petrol or inflammable solvents.

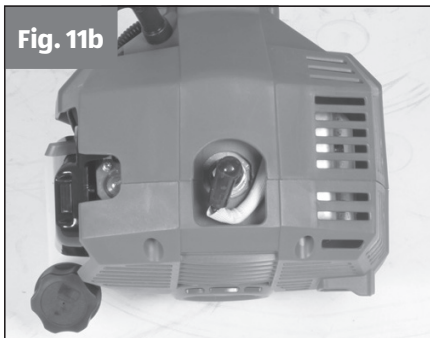
Maintenance of the spark plug

Electrode gap = 0.6 mm (distance between the electrodes and between which the ignition spark is created). You will need a metric feeler gauge set to measure the gap, the supplied combined spark plug wrench/ screwdriver and a torque wrench. Tighten the spark plug to 12 to 15 Nm using a torque wrench (available from your dealer). Check the spark plug for dirt and grime after 10 hours of operation and if necessary clean it with a copper wire brush. Thereafter service the spark plug after every 50 hours of operation.

1. Pull off the spark plug boot (Fig. 11a/Item 23).



2. Remove the spark plug (Fig. 11b) with the supplied spark plug wrench (19).



3. Clean the spark plug and reset the gap.
4. Assemble in reverse order.

Setting the throttle cable

If the maximum speed of the equipment drops over time and you have ruled out all the other possible causes listed in the section 'Malfunction and remedy (FAQ)' on page 39. It may be necessary to adjust the throttle cable.

First of all check whether the carburettor opens fully when the throttle lever is pressed right through. Remove the air filter cover and the foam air filter prior to checking this adjustment. This is correct if the lever (Fig. 12a/Item M) touches the carburettor housing when the throttle is fully open (Fig. 12a).

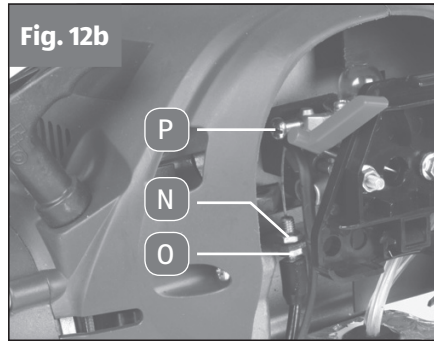
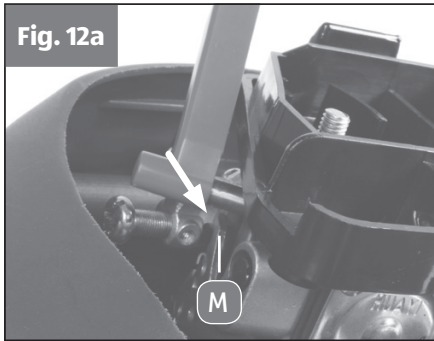


Figure 12a shows the correct setting. If the lever (Fig. 12a/Item M) does not touch against the carburettor housing, then it must be adjusted.

The following steps are required to adjust the throttle cable:

You will need a No 2PH cross point screwdriver to adjust the screw, and the supplied 8/10 mm open ended spanner to loosen and then re-tighten the locking nut.

- Undo the lock nut (Fig. 12b/Item N) a few turns.
- Undo the adjusting screw (Fig. 12b/Item O) until the lever (Fig. 12a/Item M) touches fully against the housing when the throttle is fully activated (Fig. 12a).
- Retighten the lock nut.

Setting the idling speed

CAUTION!

Set the idling speed when the equipment is warm.

If the engine stalls when the throttle is not pressed and you have ruled out all the other possible causes listed in the section 'Malfunction and remedy (FAQ)' on page 39, the idling speed must be adjusted. To do this turn the idling speed screw (Fig. 12b/Item P) clockwise until the equipment runs smoothly at idling speed.

If the idling speed is so fast that the cutting tool turns as well, it has to be reduced by turning the idling speed screw for as far as is required for the cutting tool to stop rotating.

NOTICE!

Store the equipment in a dry place and far away from possible ignition sources such as an oven, a gas-fired hot water boiler, a gas-fired dryer, etc.

Putting the equipment back into operation

1. Remove the spark plug (see page 45).
2. Quickly tug on the starter line to remove excess oil from the combustion chamber.
3. Clean the spark plug and check that the electrode gap is correct, or insert a new spark plug with the correct electrode gap.
4. Prepare the equipment for operation.
5. Fill the tank with the relevant mixture of fuel and oil. See the section 'Fuel and oil' on page 31.

Transport

To transport the equipment, empty the petrol tank as described in the section 'Storage' on page 49. Clean coarse dirt off the equipment with a brush or hand brush. Dismantle the steady grip and the long handle as described under the section 'Before starting the equipment' on page 27.

Cleaning

Always switch off the equipment and disconnect the spark plug boot before carrying out any cleaning work.

- The equipment should be cleaned thoroughly every time after it has been used. This applies particularly to the cutting tool and the guard hoods.
- Keep the air vents and the motor housing free of dirt and dust as far as possible. Wipe the equipment with a clean cloth or blow it down with compressed air at low pressure.
- It is easiest to remove dirt and grass immediately after use.
- Clean the equipment regularly with a damp cloth and some soft soap. Do not use cleaning agents or solvents; these may be aggressive to the plastic parts in the equipment. Ensure that no water can get into the interior of the equipment.

Environmental protection

Dispose of soiled maintenance material and operating materials at the appropriate collection point. Recycle packaging material, metal and plastics.

Ordering replacement parts

Please quote the following data when ordering replacement parts:

- Type of machine (GLPT 2538).
- Article number of the machine (34.019.36).
- Identification number of the machine (11015).
- Replacement part number or description of the part required.

For our latest prices and information please go to www.einhell.co.uk

Storage and transport

 **CAUTION!**

Never put the equipment into storage for longer than 30 days without carrying out the following steps.

Storing the equipment

If you intend to store the equipment for longer than 30 days, it must be prepared accordingly. Otherwise the fuel still remaining in the carburettor will evaporate and leave a rubbery sediment. This can cause problems when starting up the equipment and may require expensive repairs.

1. Slowly remove the fuel tank cap to release any pressure that may have formed in the tank. Carefully empty the tank (6).
2. To remove the fuel from the carburettor, start the engine and let it run until the equipment stops.
3. Leave the engine to cool (approx. 5 minutes).
4. Remove the spark plug (see 'Maintenance of the spark plug' on page 45). You will need the supplied combined spark plug wrench/ screwdriver and a torque wrench.
5. Add one teaspoon of 2-stroke engine oil into the combustion chamber.
6. Slowly pull the starter cord several times to apply a layer of oil to all internal parts. Refit the spark plug.

Technical data

Engine type	2-stroke engine, air-cooled, chrome cylinder
Engine power (max.)	0.75 kW / 1 hp
Displacement	25.4 ccm
Idle engine speed	2,800 ± 400 min ⁻¹
Max. engine speed	7500 min ⁻¹
Max. cutting speed with twin line spool	7500 min ⁻¹
Ignition	Digital
Drive	Centrifugal clutch
Weight (with empty tank)	5.4 kg
Cutting circle diameter of line	38 cm
Cutting line length	4.0 m
Cutting line diameter	2.0 mm
Tank capacity	0.45 L
Spark plug	L8RTC/BPM6A

Sound and vibration

L _{PA} sound pressure level	97 dB(A)
K _{PA} uncertainty	3 dB
L _{WA} sound power level	110 dB(A)
K _{WA} uncertainty	3 dB

Wear ear defenders

- The impact of noise can cause damage to your hearing.

Operation

- Vibration emission value $a_{\text{H}} = 11.5 \text{ m/s}^2$
- K uncertainty = 1.5 m/s^2

Keep the noise emissions and vibrations to a minimum

- Only use appliances which are in perfect working order.
- Service and clean the appliance regularly.
- Adapt your working style to suit the appliance.
- Do not overload the appliance.
- Have the appliance serviced whenever necessary.
- Switch the appliance off when it is not in use.
- Wear protective gloves.

Declaration of conformity

ISC GmbH · Eschenstraße 6 · D-94405 Landau/Isar



Konformitätserklärung

D	erklärt folgende Konformität gemäß EU-Richtlinie und Normen für Artikel	PL	deklaruje zgodność wymienionego ponizej artykułu z następującymi normami na podstawie dyrektywy WE.
GB	explains the following conformity according to EU directives and norms for the following product	BG	декларира съответното съответствие съгласно Директива на ЕС и норми за артикул
F	déclare la conformité suivante selon la directive CE et les normes concernant l'article	LV	paskaidro šādu atbilstību ES direktīvai un standartiem
I	dichiara la seguente conformità secondo la direttiva UE e le norme per l'articolo	LT	apibūdina šį atitikimą EU reikalavimams ir prekybos normoms
NL	verklaart de volgende overeenstemming conform EU richtlijn en normen voor het product	RO	declară următoarea conformitate conform directivei UE și normelor pentru articolul
E	declara la siguiente conformidad a tenor de la directiva y normas de la UE para el artículo	GR	δηλώνει την ακόλουθη συμμόρφωση σύμφωνα με την Οδηγία ΕΚ και τα πρότυπα για το προϊόν
P	declara a seguinte conformidade, de acordo com a directiva CE e normas para o artigo	HR	potvrđuje sljedeću usklađenost prema smjernicama EU i normama za artikl
DK	attesterer følgende overensstemmelse i medfør af EU-direktiv samt standarder for artikel	BIH	potvrđuje sljedeću usklađenost prema smjernicama EU i normama za artikl
S	förklarar följande överensstämmelse enl. EU-direktiv och standarder för artikeln	RS	potvrđuje sledeću usklađenost prema smernicama EZ i normama za artikla
FIN	vakuuttaa, että tuote täyttää EU-direktiivin ja standardien vaatimukset	RUS	следующим удостоверяется, что следующие продукты соответствуют директивам и нормам ЕС
EE	tõendab toote vastavust EL direktiivile ja standarditele	UKR	проголошує про зазначену нижче відповідність виробу директивам та стандартам ЄС на виробі
CZ	vydává následující prohlášení o shodě podle směrnice EU a norem pro výrobek	MK	ja izjavava slednata soobraznost согласно EU-direktivata i normite za artikli
SLO	potrjuje sledečo skladnost s smernico EU in standardi za izdelek	TR	Ürünü ile ilgili AB direktifleri ve normları gereğince aşağıda açıklanan uygunluğu belirtir
SK	vydává nasledujúce prehlásenie o zhode podľa smernice EU a noriem pre výrobok	N	erklærer følgende samsvar i henhold til EU-direktivet og standarder for artikkel
H	a cikkekehez az EU-irányvonal és Normák szerint a következő konformitást jelenti ki	IS	Lýsir uppfyllingu EU-reglna og annarra staðla fóru

25cc Petrol Grass Trimmer GLPT 2538 (Gardenline)

<input type="checkbox"/> 87/404/EC_2009/105/EC	<input checked="" type="checkbox"/> 2006/42/EC
<input type="checkbox"/> 2005/32/EC_2009/125/EC	<input type="checkbox"/> Annex IV
<input type="checkbox"/> 2006/95/EC	Notified Body:
<input type="checkbox"/> 2006/28/EC	Notified Body No.:
<input checked="" type="checkbox"/> 2004/108/EC	<input checked="" type="checkbox"/> 2000/14/EC_2005/88/EC
<input type="checkbox"/> 2004/22/EC	<input checked="" type="checkbox"/> Annex V
<input type="checkbox"/> 1999/5/EC	<input type="checkbox"/> Annex VI
<input type="checkbox"/> 97/23/EC	Noise: measured $L_{WA} = 103,6$ dB (A); guaranteed $L_{WA} = 110$ dB (A)
<input type="checkbox"/> 90/396/EC_2009/142/EC	P = 0,75 KW; L/O = cm
<input type="checkbox"/> 89/686/EC_96/58/EC	Notified Body:
<input type="checkbox"/> 2011/65/EC	<input checked="" type="checkbox"/> 2004/26/EC
	Emission No.: e11*97/68SA*2012/46*1413*04

Standard references: EN ISO 11806; EN ISO 14982

Landau/Isar, den 29.09.2015

Weichselgartner/General-Manager

Yong/Product-Management

First CE: 15
Art.-No.: 34.019.36 I.-No.: 11015
Subject to change without notice

Archive-File/Record: NAPR012957
Documents registrar: Daniel Protschka
Wiesenweg 22, D-94405 Landau/Isar

AFTER SALES SUPPORT

☎ GB 0151 649 1500 IRE 1890 946244

🌐 www.einhell.co.uk

51

Warranty

How do I claim for a warranty matter?

1. Fill in the Warranty card and send to the Einhell UK Ltd Address.
2. Contact Einhell UK Ltd, using one of the Telephone numbers for AFTER SALES SUPPORT.
3. Or contact via the Einhell UK Ltd website.

How do I obtain spare parts (not covered by the warranty)?

Make sure you have the information from the product data label, or page 48 of this manual, and then: -

1. Contact Einhell UK Ltd, using one of the Telephone numbers for AFTER SALES SUPPORT, and choose the option for Spare Parts.
2. Or contact via the Einhell UK Ltd website, where spares information & prices are available.



Warranty card

25cc Petrol Grass Trimmer

Your details:

Name _____

Address _____

_____ Email: _____

Date of purchase* _____

*We recommend you keep the receipt with this warranty card

Location of purchase _____

Description of malfunction:

If after contacting the manufacturer you are requested to return the faulty product please return the completed warranty card together with it.

Einhell UK Ltd
Unit 9, Stadium Court
Wirral International Business Park
Plantation Road
Bromborough
CH62 3QG

AFTER SALES SUPPORT

GB 0151 649 1500 IRE 1890 946244

www.einhell.co.uk

MODEL: **GLPT 2538** PRODUCT CODE: **68998 03/2016**

Aftersales support available:
Monday - Thursday: 8:45am - 5pm
Friday: 8:45am - 3pm

Please add the Ser.-Nr. in the box below:

You will find the 7 character Ser.-Nr. here



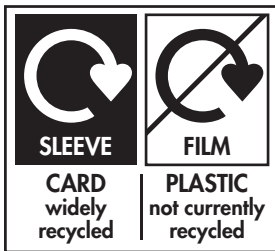
AFTER SALES SUPPORT

GB 0151 649 1500 IRE 1890 946244

www.einhell.co.uk

Recycling

The unit is supplied in packaging to prevent it being damaged in transit. This packaging is raw material and can therefore be reused or can be returned to the raw material stream. You will need the supplied combined spark plug wrench/ screwdriver and a torque wrench.



The packaging material is partly recyclable. Dispose of the packaging in an environmentally friendly way adding to your recyclable waste bin, or by taking it to a public collection centre.

The unit and its accessories are made of various types of material, such as metal and plastic. Defective components must be disposed of as special waste. Ask your dealer or your local council.

