

PLS-1214 PLUNGE SAW KIT

FEATURES & BENEFITS

2x700mm Guide Rails Included – Allows to create an accurate straight cut every time.

Precision Bevel Cut Adjustment – Provides clean, precise cuts up to 45°.

Adjustable Depth of Cut – Infinitely adjustable depth of cut to 55mm.

Enclosed Guard with Dust Extraction Port – For a cleaner and safer working environment.

SPECIFICATIONS

Motor – 1200W

Input – 230-240V – 50Hz

No Load Speed – 5,200/min

Blade Size – Ø165 x 2.6 x Ø20mm

Blade Teeth – 24mm

Max. Cutting Capacity – 55mm @ 90°
– 42mm @ 45°

Mitre Angle – 0°-45°

Guide Rail – 700mm

Weight – 4.65kg

CONTENT

1x Plunge Saw

1x Blade (fitted)

2x 700mm Guide Rails

2x Guide Rail Clamps

1 x Joiner

2x Hex Key

1x Instruction Manual

LOGISTICS

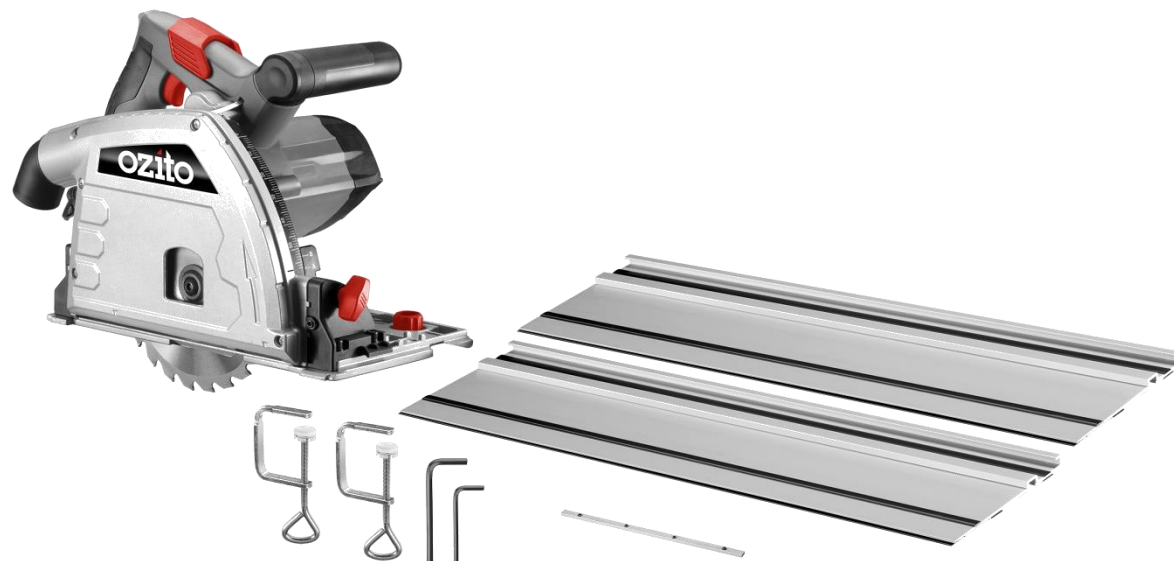
Barcode – 9319510019732

Article Number – 43.406.82

Item No – 6290615

Outer Carton Qty - 2

Pallet Qty - 40



3 YEAR
REPLACEMENT
WARRANTY