



Einhell

BLUE

BT-VC 1215 S Vacuum Cleaner

Art.-No. 23.421.10

The BT-VC 1215 S is an allround vacuum cleaner. You can clean rough, fine and dry or wet dirt even liquid without any problems. The throughput of the wet-dry vacuum cleaner is stopped automatically due to a protection float switch when liquid is suctioned and the vessel is filled.

Features

- 36 mm tube system (1)
- Carrying handle (2)
- 4 pcs castors (3)
- 15 l stainless steel vessel (4)
- Accessory bracket (5)
- Cable hook (6)
- Blow adapter (7)

Standard accessories

- 1 suction hose \varnothing 36 mm (1)
- 1 dust collection bin (8)
- 1 foam filter (9)
- 1 crevice nozzle (10)
- 1 adapter (11)
- 3 extension pipes \varnothing 36 mm (12)
- 1 attachment for carpets (13)
- 1 attachment for smooth floors (14)
- 1 large suction nozzle (15)

Technical data

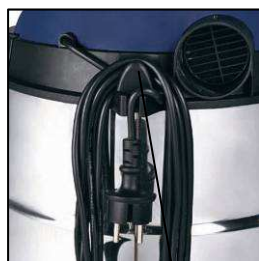
- Mains voltage: 230 V ~ 50 Hz
- Input power: 1,250 W
- Suction power max.: 140 mbar
- Vessel capacity: 15 l
- Product weight: 3.7 kg

Logistic Data

- Net weight: 4.8 kg
- Gross weight: 5.6 kg
- Packing dimension: 325 x 325 x 440 mm
- Bar code: 4006825 575262
- Sales unit: 1 pc



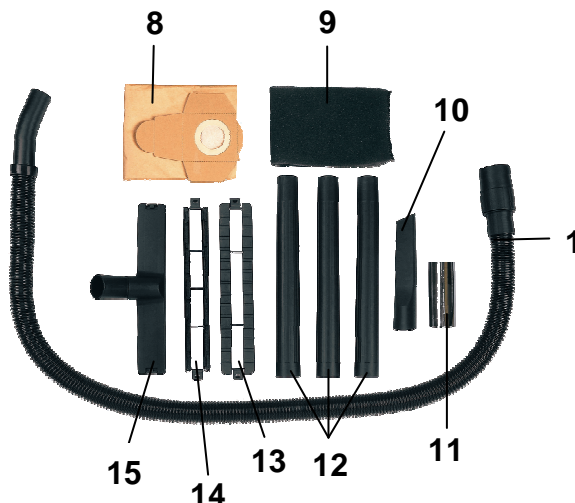
7



6



5



1

2

4

3