

Einhell®

Original operating instructions
Rotary Hammer

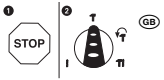
7

Art.-Nr.: 42.584.36

I.-Nr.: 11010



RT-RH 26



Select between the individual functions only when the equipment is at a standstill. If you fail to observe this point, the equipment may be damaged.

GB



“Caution - Read the operating instructions to reduce the risk of injury”



Wear ear-muffs.

The impact of noise can cause damage to hearing.



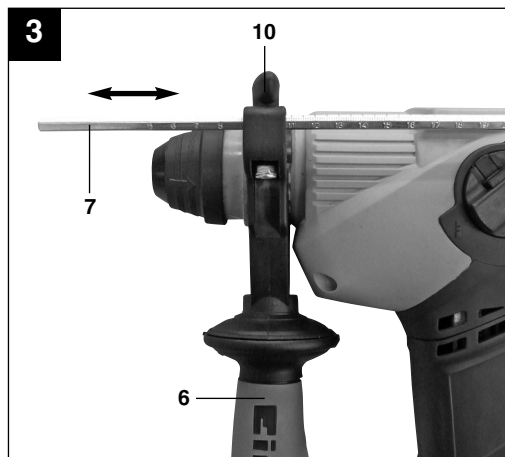
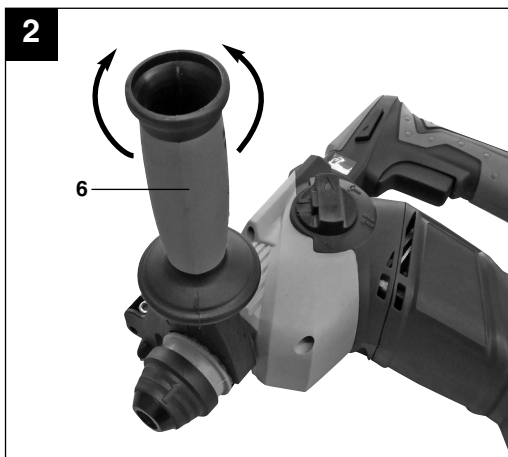
Wear a breathing mask.

Dust which is injurious to health can be generated when working on wood and other materials.
Never use the device to work on any materials containing asbestos!



Wear safety goggles.

Sparks generated during working or splinters, chips and dust emitted by the device can cause loss of sight.



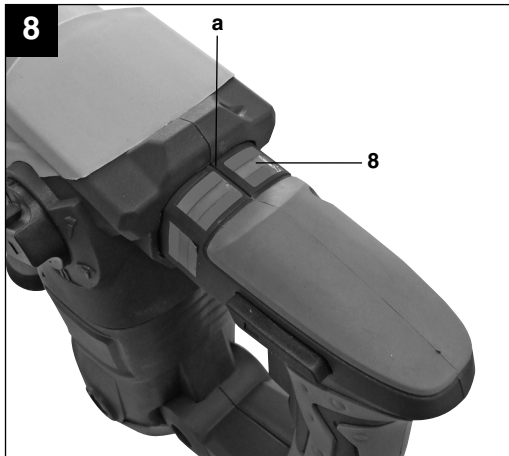
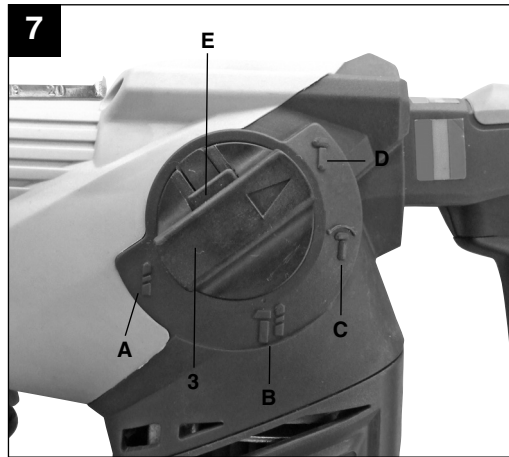
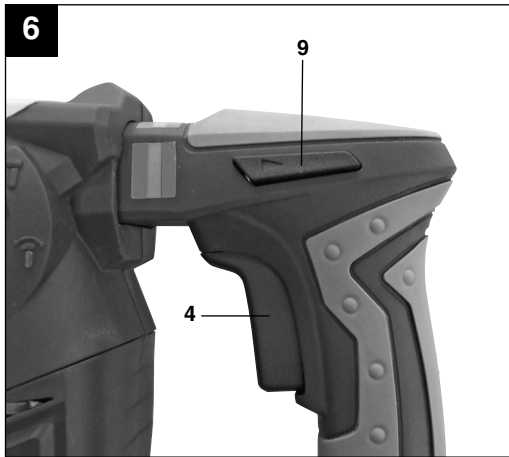
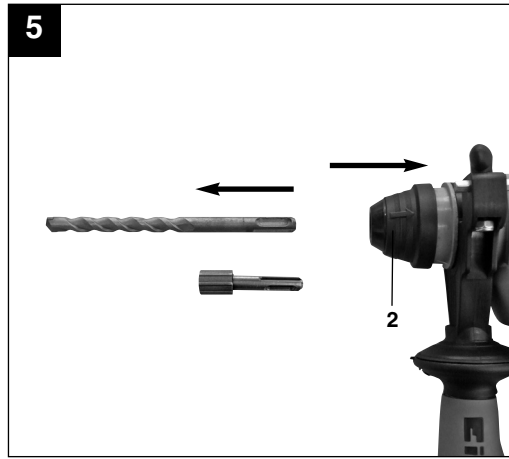
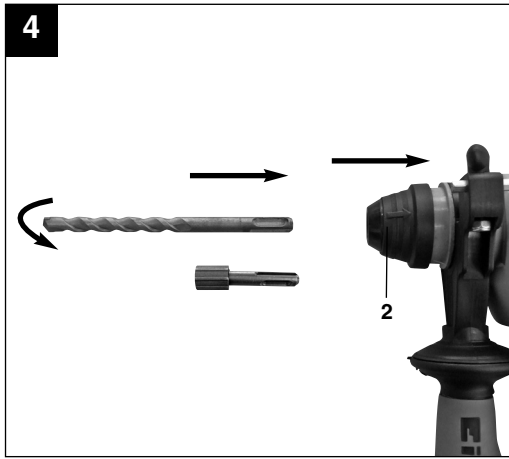


Table of contents

1. Safety regulations
2. Layout
3. Items supplied
4. Proper use
5. Technical data
6. Before starting the equipment
7. Starting up
8. Replacing the power cable
9. Cleaning, maintenance and ordering of spare parts
10. Disposal and recycling

⚠ Important!

When using equipment, a few safety precautions must be observed to avoid injuries and damage. Please read the complete operating manual with due care. Keep this manual in a safe place, so that the information is available at all times. If you give the equipment to any other person, give them these operating instructions as well.

We accept no liability for damage or accidents which arise due to non-observance of these instructions and the safety information.

1. Safety regulations

The corresponding safety information can be found in the enclosed booklet.

⚠ CAUTION!**Read all safety regulations and instructions.**

Any errors made in following the safety regulations and instructions may result in an electric shock, fire and/or serious injury.

Keep all safety regulations and instructions in a safe place for future use.

2. Layout (Fig. 1)

1. Dust guard
2. Locking sleeve
3. Selector switch for drill/hammer drill/chisel
4. ON/OFF switch
5. Handle
6. Additional handle
7. Depth stop
8. Press control
9. Clockwise/counter-clockwise switch
10. Clamping screw

3. Items supplied

Take all the parts out of the packaging. Check that nothing is missing.

- RT-RH 26 hammer drill
- Additional handle
- Depth stop
- Operating instructions
- Safety regulations

r


4. Proper use

The tool is designed for drilling with hammer action in concrete, rock and brick, as well as for chiseling work, always using the respective correct drill or chisel bit.

The equipment is to be used only for its prescribed purpose. Any other use is deemed to be a case of misuse. The user / operator and not the manufacturer will be liable for any damage or injuries of any kind caused as a result of this.

Please note that our equipment has not been designed for use in commercial, trade or industrial applications. Our warranty will be voided if the machine is used in commercial, trade or industrial businesses or for equivalent purposes.

5. Technical data

Mains voltage:	220-240 V ~ 50 Hz
Power input:	900 W
Idling speed:	0-1020 rpm
Blow rate:	0-4800 rpm
Drilling capacity in concrete/stone (max.):	26 mm
Protection class:	II / 
Weight:	4.4 kg

Sound and vibration

Sound and vibration values were measured in accordance with EN 60745-1 and EN 60745-2-6.

L_{pA} sound pressure level	91.6 dB(A)
K_{pA} uncertainty	3 dB
L_{WA} sound power level	102.6 dB(A)
K_{WA} uncertainty	3 dB

The hammer drill is not designed for outdoors use as specified in Article 3 of Directive 2000/14/EC_2005/88/EC.

Wear ear-muffs.

The impact of noise can cause damage to hearing.

Total vibration values (vector sum of three directions) determined in accordance with EN 60745.

GB**Hammer drilling in concrete**Vibration emission value $a_h = 17.5 \text{ m/s}^2$ K uncertainty = 1.5 m/s^2 **Chiseling**Vibration emission value $a_h = 16.352 \text{ m/s}^2$ K uncertainty = 1.5 m/s^2 **Additional information for electric power tools****Warning!**

The specified vibration value was established in accordance with a standardized testing method. It may change according to how the electric equipment is used and may exceed the specified value in exceptional circumstances.

The specified vibration value can be used to compare the equipment with other electric power tools.

The specified vibration value can be used for initial assessment of a harmful effect.

Keep the noise emissions and vibrations to a minimum.

- Vibration values exceeding 2.5 m/s^2 may cause damage to the joints in your hand and arm.
- Only use appliances which are in perfect working order.
- Service and clean the appliance regularly.
- Adapt your working style to suit the appliance.
- Do not overload the appliance.
- Have the appliance serviced whenever necessary.
- Switch the appliance off when it is not in use.
- Wear protective gloves.

Residual risks

Even if you use this electric power tool in accordance with instructions, certain residual risks cannot be ruled out. The following hazards may arise in connection with the equipment's construction and layout:

1. Lung damage if no suitable protective dust mask is used.
2. Damage to hearing if no suitable ear protection is used.
3. Health damage caused by hand-arm vibrations if the equipment is used over a prolonged period or is not properly guided and maintained.

6. Before starting the equipment

Before you connect the equipment to the mains supply make sure that the data on the rating plate are identical to the mains data.

Always pull the power plug before making adjustments to the equipment.

Check the drilling point for concealed electrical cables, gas and water pipes using a cable/pipe detector.

6.1 Additional handle (Fig. 2 – Item 6)

For safety reasons you must only use the hammer drill with the additional handle.

The additional handle (6) enables you to achieve better stability whilst using the equipment. Do not use the equipment without the additional handle.

The additional handle (6) is secured to the equipment by a clamp. Turning the handle clockwise tightens this clamp. Turning it anti-clockwise will release the clamp.

- The supplied additional handle (6) must first be fitted. To do this, turn the handle until the clamp is opened wide enough for you to slide the additional handle onto the equipment.
- After you have mounted the additional handle (6), swivel it to the most comfortable working position for yourself.
- Now turn the handle in the opposite direction again until the additional handle is secure.
- The additional handle (6) is suitable for both left-handed and right-handed users.

6.2 Depth stop (Fig. 3 – Item 7)

The depth stop (7) is held in place with the locking screw (10) on the additional handle (6) by means of a clamp.

- Undo the locking screw (10) and fit the depth stop (7).
- Set the depth stop (7) to the same level as the drill bit.
- Pull the depth stop (7) back by the required drilling depth.
- Retighten the locking screw (10).
- Now drill the hole until the depth stop (7) touches the workpiece.

6.3. Tool insertion (Fig. 4)

- Clean the tool before insertion and apply a thin coating of drill bit grease to the shaft of the tool.
- Pull back and hold the locking sleeve (2).
- Insert the dust-free tool into the tool mounting as far as it will go whilst turning it. The tool will lock itself.

- Check that it is properly secure by pulling the tool.

6.4. Tool removal (Fig. 5)

Pull back and hold the locking sleeve (2) and remove the tool.

7. Starting up

Important.

To prevent all danger, the machine must only be held using the two handles (5 / 6). Otherwise there may be a risk of suffering an electric shock if you drill into cables.

7.1 ON/OFF switch (Fig. 6/Item 4)

- First fit a suitable drill bit into the tool (see 6.3).
- Connect the mains plug to a suitable socket.
- Position the drill in the position you wish to drill.

To switch on:

Press the ON/OFF switch (4)

To switch off:

Release the ON/OFF switch (4).

7.2 Clockwise/Counter-clockwise switch (Fig. 6/Item 9)

- **Change switch position only when the drill is at a standstill!**
- Switch the direction of the hammer drill using the clockwise/counter-clockwise switch (9):

Direction	Switch position
Clockwise (forwards and drill)	Pushed in to the right
Counter-clockwise (reverse)	Pushed in to the left

7.3 Drill / Hammer drill / Chisel selector switch (Fig. 7)

- For drilling, press the button (E) on the rotary switch (3) and simultaneously turn the rotary switch (3) to position A.
- For hammer drilling, press the button (E) on the rotary switch (3) and simultaneously turn the rotary switch (3) to position B.
- For chiseling, press the button (E) on the rotary switch (3) and simultaneously turn the rotary switch (3) to position C. In switch position C the chisel is not locked.
- For chiseling, press the button (E) on the rotary switch (3) and simultaneously turn the rotary switch (3) to position D. The chisel is locked in position D.

Important.

Only low pressure is required for hammer drilling. Excessive pressure will exert an unnecessary force on the motor. Check the drill bits at regular intervals. Sharpen or replace blunt drill bits.

7.4 Press control (Fig. 8/Item 8)

To ensure the ideal contact pressure, the edge of the housing (a) must be located in the middle section of the indicator (8).

The indicator serves only as a guidance and should not be observed permanently.

8. Replacing the power cable

If the power cable for this equipment is damaged, it must be replaced by the manufacturer or its after-sales service or similarly trained personnel to avoid danger.

9. Cleaning, maintenance and ordering of spare parts

Always pull out the mains power plug before starting any cleaning work.

9.1 Cleaning

- Keep all safety devices, air vents and the motor housing free of dirt and dust as far as possible. Wipe the equipment with a clean cloth or blow it with compressed air at low pressure.
- We recommend that you clean the device immediately each time you have finished using it.
- Clean the equipment regularly with a moist cloth and some soft soap. Do not use cleaning agents or solvents; these could attack the plastic parts of the equipment. Ensure that no water can seep into the device.

9.2 Carbon brushes

In case of excessive sparking, have the carbon brushes checked only by a qualified electrician. Important! The carbon brushes should not be replaced by anyone but a qualified electrician.

9.3 Maintenance

There are no parts inside the equipment which require additional maintenance.

GB

9.4 Ordering replacement parts:

Please quote the following data when ordering replacement parts:

- Type of machine
- Article number of the machine
- Identification number of the machine
- Replacement part number of the part required

For our latest prices and information please go to www.einhell.com.au

10. Disposal and recycling

The unit is supplied in packaging to prevent its being damaged in transit. This packaging is raw material and can therefore be reused or can be returned to the raw material system.

The unit and its accessories are made of various types of material, such as metal and plastic.

Defective components must be disposed of as special waste. Ask your dealer or your local council.

The guarantee provided in this Guarantee Certificate is given by Einhell Australia Pty Limited
ACN 134 632 858 of 6/166 Wellington Street, Collingwood, Victoria (Telephone number 1300 922 271)
(Einhell Express Guarantee).

GUARANTEE CERTIFICATE

Dear Customer,

All of our products undergo strict quality checks. In the unlikely event that your device develops a fault, please contact our service department at the address shown on this guarantee certificate. Of course, if you would prefer to call us then we are also happy to offer our assistance under the service number printed below. Please note the following terms under which claims under the Einhell Express Guarantee can be made:

1. The benefits conferred by the Einhell Express Guarantee are in addition to all rights and remedies which you may be entitled to under the Australian Consumer Law, and any other statutory rights you may have under other applicable laws. This Einhell Express Guarantee does not exclude, restrict or modify any such rights or remedies.

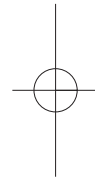
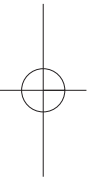
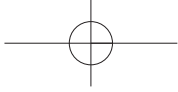
We do not charge you for the Einhell Express Guarantee.

2. Our goods come with guarantees that cannot be excluded under the Australian Consumer Law. You are entitled to a replacement or refund for a major failure and for compensation for any other reasonably foreseeable loss or damage. You are also entitled to have the goods repaired or replaced if the goods fail to be of acceptable quality and the failure does not amount to a major failure.
3. The Einhell Express Guarantee only covers problems caused by material or manufacturing defects, and our liability under the Einhell Express Guarantee is limited, at our discretion, to the rectification of these defects or replacement of the product. Please note that the product has not been designed for use in commercial, trade or industrial applications. Consequently, the Einhell Express Guarantee will not apply if the product is used in commercial, trade or industrial applications or for other equivalent activities.
4. The following are also excluded from the Einhell Express Guarantee: compensation for transport damage, damage caused by failure to comply with the installation/assembly instructions or damage caused by unprofessional installation, failure to comply with the operating instructions (e.g. connection to the wrong mains voltage or current type), misuse or inappropriate use (such as overloading of the product or use of non-approved tools or accessories), failure to comply with the maintenance and safety regulations, ingress of foreign bodies into the product (e.g. sand, stones or dust), effects of force or external influences (e.g. damage caused by the product being dropped) and normal wear resulting from proper operation of the product. The Einhell Express Guarantee will also not apply if any attempt is made to tamper with the product.
5. The Einhell Express Guarantee is valid for a period of 2 years starting from the purchase date of the product. Claims made under the Einhell Express Guarantee should be submitted before the end of this guarantee period and within two weeks of the defect being noticed. No claims under the Einhell Express Guarantee will be accepted if submitted after the end of this guarantee period. The original guarantee period remains applicable to the device even if repairs are carried out or parts are replaced. In such cases, the work performed or parts fitted will not result in an extension of the guarantee period for the Einhell Express Guarantee, and the Einhell Express Guarantee will not apply for the work performed or parts fitted. This also applies when an on-site service is used.
6. To make a claim under the Einhell Express Guarantee, please send the relevant product postage-free to the address shown below and enclose either the original or a copy of your sales receipt or another dated proof of purchase. It would help us if you could describe the nature of the problem in as much detail as possible. If the defect is covered by the Einhell Express Guarantee, your product will be repaired immediately and returned to you, or we will send you a new device (at our election).

Any costs incurred by you in making a claim under this Einhell Express Guarantee, unless specified otherwise in this guarantee certificate, must be borne by you.

Of course, we are also happy to offer a chargeable repair service for any defects which are not covered by the scope of the Einhell Express Guarantee or for products which are no longer covered by the Einhell Express Guarantee. To take advantage of this service, please send the product to our service address.

EINHELL AUSTRALIA PTY LTD
6/166 Wellington Street
Collingwood VIC 3066
Australia
Phone: 1300 922 271



EH 04/2012 (02)

