

**PARKSIDE**

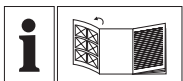
**PDKS 120 A2**



GB IE

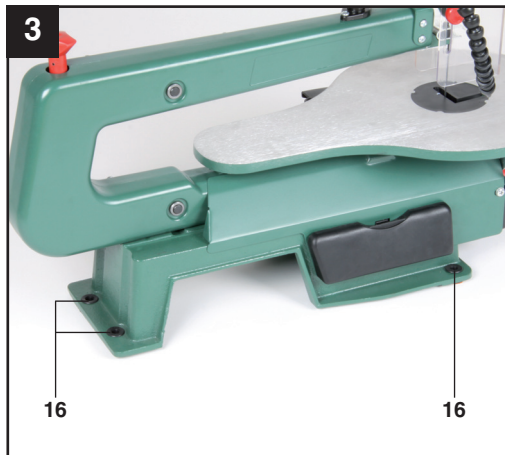
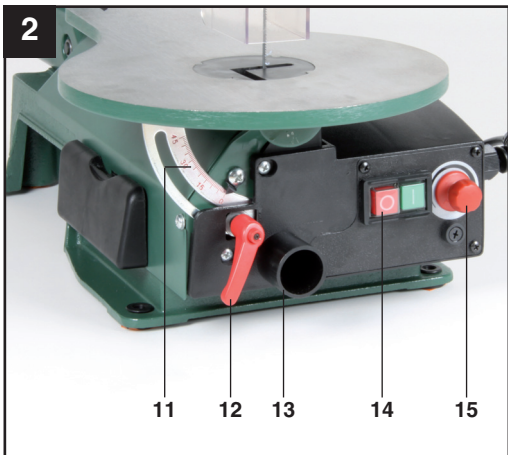
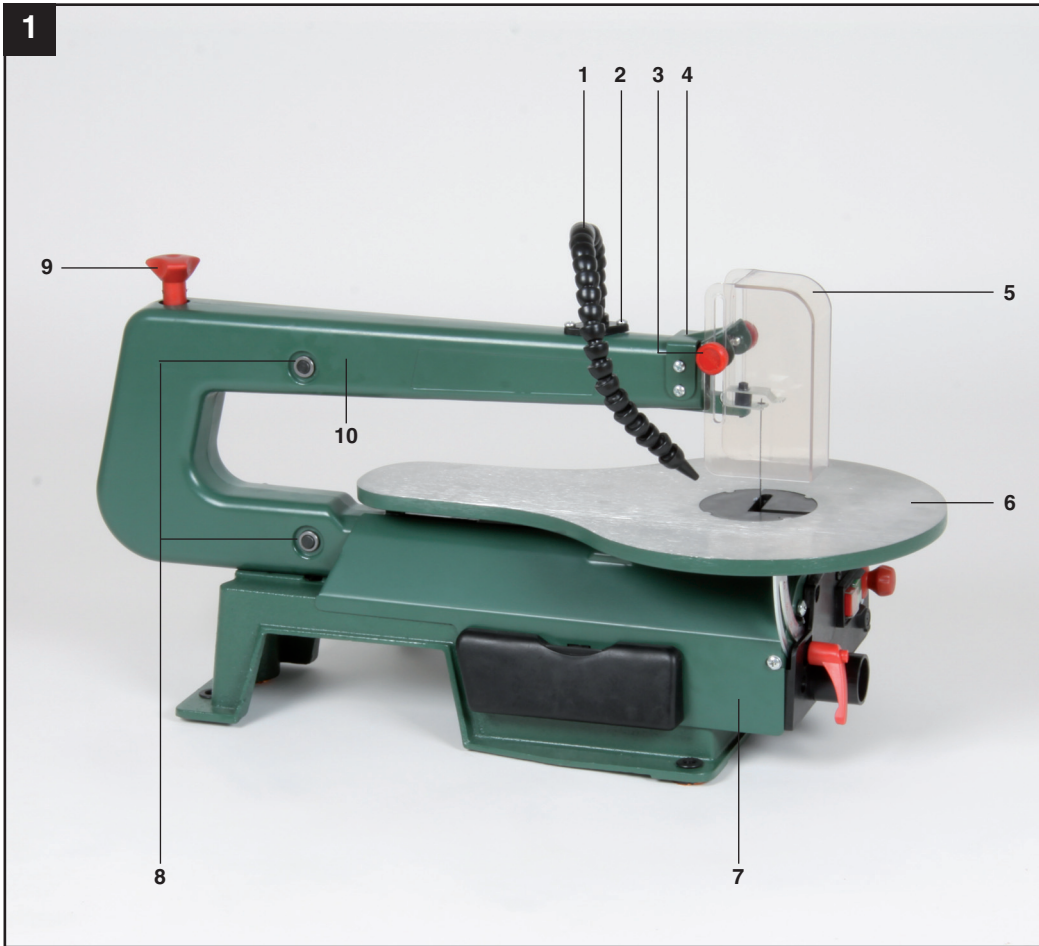
**SCROLL SAW**

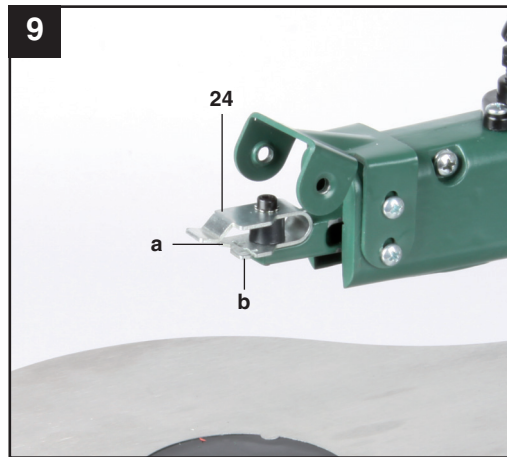
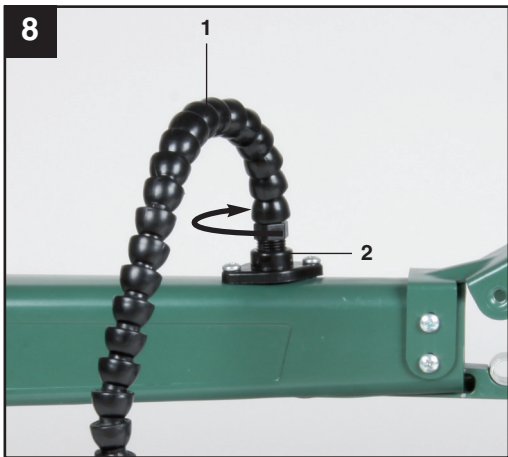
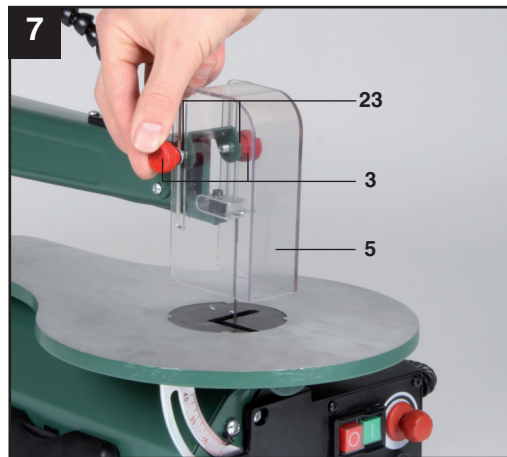
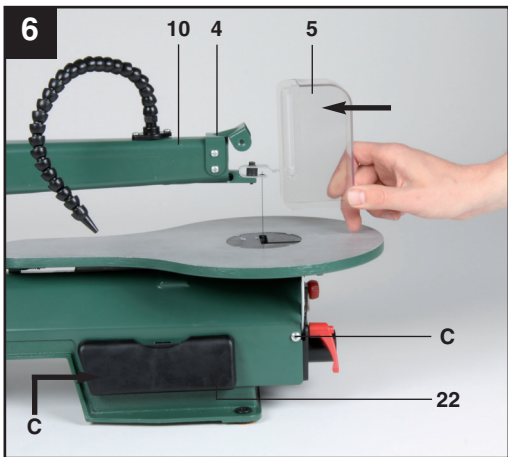
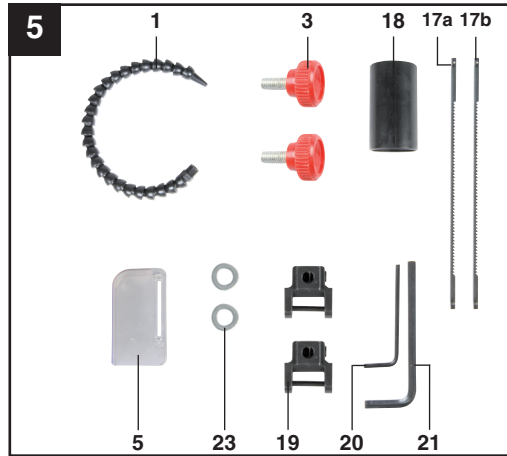
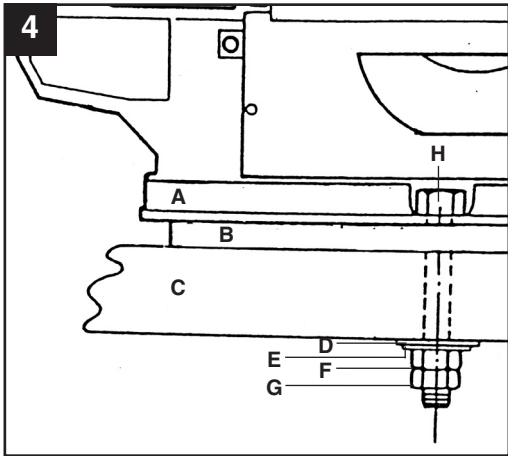
Operation and Safety Notes  
Original operating instructions

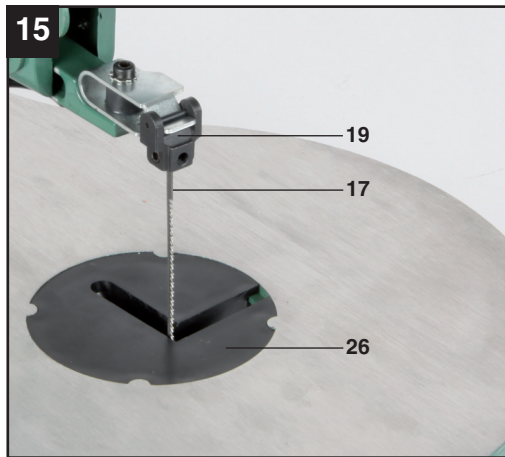
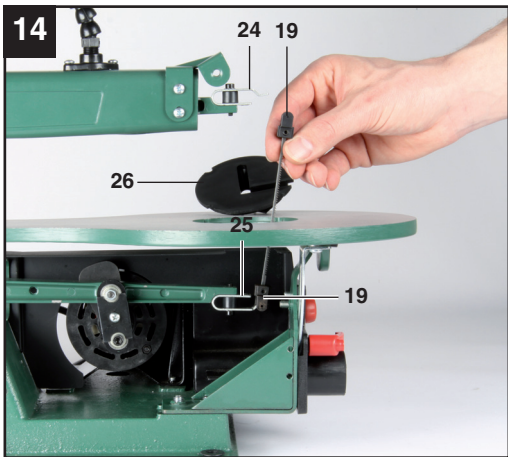
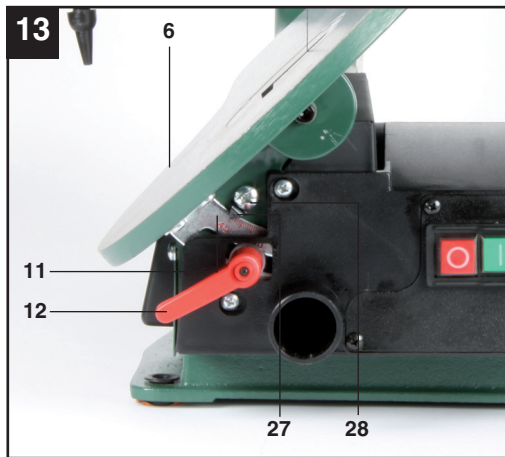
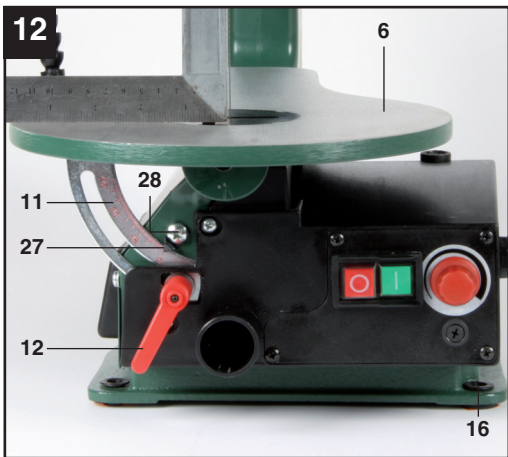
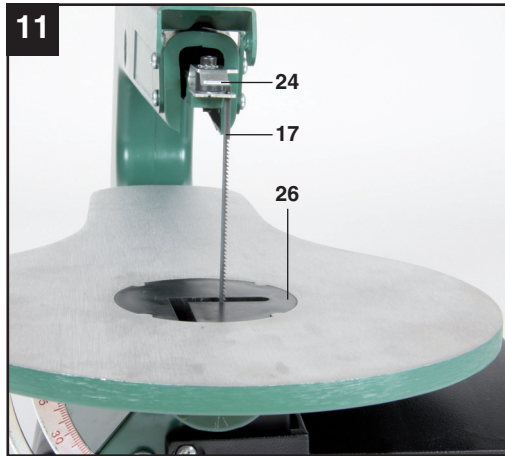
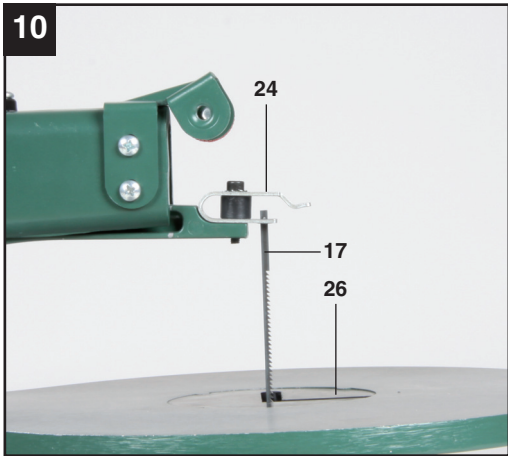


GB IE

Before reading, unfold the page containing the illustrations and familiarise yourself with all functions of the device.







GB/  
IE

**Table of contents:**

**Page**

1. Introduction .....	8
2. Safety information .....	8-10
3. Layout .....	11
4. Supplied package .....	11
5. Proper use .....	12
6. Technical data .....	12-13
7. Before starting the machine .....	13-15
8. Operation .....	15
9. Replacing the power cable .....	16
10. Cleaning, maintenance, storage and ordering of spare parts .....	16
11. Disposal and recycling .....	16-17
12. Declaration of conformity .....	18
13. Warranty certificate .....	19

The reprinting or reproduction by any other means, in whole or in part, of documentation and papers accompanying products is permitted only with the express consent of the ISC GmbH.

Subject to technical changes

## Additional safety instructions



“CAUTION - Read the operating instructions to reduce the risk of injury”



### **Wear ear-muffs.**

The impact of noise can cause damage to hearing.



### **Wear a breathing mask.**

Dust which is injurious to health can be generated when working on wood and other materials. Never use the tool to work on any materials containing asbestos!



### **Wear safety goggles.**

Sparks generated during work or splinters, chips and dust emitted by the equipment can cause loss of sight.



### **Important. Risk of injury.**

Never reach into the running saw blade.

## 1. Introduction

### ⚠ Important.

When using the equipment, a few safety precautions must be observed to avoid injuries and damage. Please read the complete operating instructions and safety information with due care. Keep these operating instructions in a safe place so that the information is available at all times. If you give the equipment to any other person, hand over these operating instructions and the safety information as well. We cannot accept any liability for damage or accidents which arise due to a failure to follow these instructions and the safety information.

## 2. Safety information

### ⚠ CAUTION

**Read all the safety information and instructions.** Any errors made in following the safety information and instructions may result in an electric shock, fire and/or serious injury. **Keep all safety information and instructions in a safe place for future use.**

### 2.1 General safety information on electric power tools

**Important. The following safety precautions must be taken when using electric power tools in order to protect the user from electric shocks and the risk of injury and fire. Read and follow these instructions before using the equipment.**

1. **Keep your work area tidy**  
Untidy work areas can result in accidents.
2. **Check the ambient conditions**  
Do not expose electric tools to rain. Never use electric power tools in damp or wet locations. Provide good lighting. Do not use electric power tools near flammable liquids or gases.
3. **Protect yourself against electric shocks**  
Avoid bodily contact with earthed parts, e.g. pipes, radiators, cookers and refrigerators.

4. **Keep children away**  
Do not allow other persons to touch the tool or cable, keep them away from your work area.
5. **Keep your electric power tools in a safe place**  
Unused tools must be stored in a dry, locked room out of children's reach.
6. **Do not overload your tools**  
They will work better and more safely within their specified capacity range.
7. **Use the right tools**  
Do not use tools or attachments which are too weak for heavy duty work. Never use tools on jobs for which they are not intended; for example, do not use a hand-held circular saw to fell trees or lop off branches.
8. **Wear suitable work clothes**  
Never wear loose fittings clothes or jewelry. They may get caught in moving parts. Rubber gloves and non-slip shoes are recommended when working outdoors. Wear a hair net if you have long hair.
9. **Use personal safety equipment.**  
Wear safety goggles. Use a dust mask when working on dusty jobs.
10. **Do not use the cable for purposes other than that for which it is designed.**  
Do not carry the equipment by the cable and do not use the cable to pull the plug out of the socket. Protect the cable from heat, oil and sharp edges.
11. **Secure the workpiece**  
Use clamps or a vise to secure the workpiece. This is safer than using your hand and also enables you to operate the machine with both hands.
12. **Do not overstretch**  
Avoid abnormal working postures. Make sure you stand squarely and keep your balance at all times.
13. **Take care of your tools**  
Keep your tools sharp and clean in order to work well and safely. Follow the maintenance information and the instructions for changing tools. Check the power plug and cable on a regular basis and have them replaced by an authorized specialist if they are damaged. Check the



extension cable regularly and replace it if damaged. Keep handles dry and free from oil and grease.

**14. Pull out the power plug**

When tools are not in use, before starting any maintenance work or when changing attachments such as saw blades, drill bits and all kinds of mounted tools.

**15. Always remove keys and wrenches after use**

Always check that keys, wrenches and other adjusting tools have been removed before you switch on the equipment.

**16. Avoid unintentional starting**

Never carry a tool with your finger on the switch button while the tool is connected to the power supply. Make sure that the switch is turned off when connecting the tool to the power supply.

**17. When using an extension cable outdoors**

Check that it is approved for outdoor duty and is marked accordingly.

**18. Be alert at all times**

Watch what you are doing. Use common sense when working. Never use the tool when you are distracted.

**19. Check your tool for damage**

Before using the tool again, check the safety devices or any slightly damaged parts to ensure that they are in good working order. Check that the moving parts are working correctly, that they do not jam, and that no parts are damaged. Make sure that all parts are fitted correctly to ensure that the equipment remains safe to use.

Unless otherwise stated in the operating instructions, damaged guards and parts have to be repaired or replaced by a customer service workshop. Damaged switches have to be replaced by a customer service workshop. Never use an electric power tool with a switch that cannot be turned on and off.

**20. Important.**

For your own safety you must only use the accessories and additional units listed in the operating instructions or recommended or specified by the manufacturer. The use of mounted tools or accessories other than

those recommended in the operating instructions or catalog may place your personal safety at risk.

**21. Repairs may only be carried out by a qualified electrician**

This electric power tool complies with the pertinent safety information. Repair work must only be carried out by a trained electrician, otherwise the equipment may cause accidents.

**22. Connect up the dust extraction system**

If there are provisions for connecting up a dust extraction system, make sure that such a system is fitted and in use.

**Additional safety instructions**

- Switch the machine off immediately and pull the power plug in an emergency.
- Follow all these safety instructions before and while working with the saw.
- Do not use this saw to cut fire wood.
- Do not use this saw to cross-cut roundwood without a suitable holding device.
- The machine is equipped with a safety switch to prevent it from being switched on again accidentally after a power failure.
- If you need to use an extension cable, make sure its conductor cross-section is big enough for the saw's power consumption. Minimum cross-section 1 mm<sup>2</sup>.
- If you use a cable reel, the complete cable must be pulled off the reel.
- Persons working on the machine should not be distracted.
- After you have switched off the motor, never slow down the saw blade by applying pressure to its side.
- Only fit blades which are well sharpened and have no cracks or deformations.
- Faulty saw blades must be replaced immediately.
- Never use saw blades which do not comply with the data specified in this manual.
- It is imperative to make sure that all devices which cover the saw blade are in good working order.
- Never dismantle the machine's safety devices or render them inoperative.
- Damaged or faulty safety devices have to be replaced immediately.

**GB/  
IE**

- Never cut workpieces which are too small to hold securely in your hand.
- Never load the machine so much that it cuts out.
- Always press the workpiece firmly against the saw table.
- Never remove loose splinters, chips or jammed pieces of wood when the saw blade is running.
- Switch the machine off to rectify faults at the blocked plug-in tool. - Pull the power plug- Remove the blockage. Important! Risk of injury from saw blade! Wear gloves. Carry out a trial run without a workpiece. Ensure that no unusual noise or vibration occurs. Should this be the case, switch the unit off and contact the manufacturer.
- Carry out retooling work, adjustments, measurements and cleaning jobs only when the motor is switched off. - Pull the power plug. -
- Before switching on, make sure that all keys and wrenches have been removed from the tool.
- Switch off the motor and pull the power plug before you leave the workplace.
- Electrical installation work, repairs and maintenance may only be carried out by persons who have been specially trained.
- Refit all guards and safety devices immediately after you have completed any repairs or maintenance work.
- Be sure to observe the safety information and operating and maintenance instructions issued by the manufacturer, as well as the dimensions listed in the Technical Data.
- It is imperative to observe the accident prevention regulations in force in your area as well as all other generally recognized rules of safety.
- Note the information published by your professional associations (VBG 7j).
- The saw is intended to be used indoors only.
- Workpieces that are smaller than the saw blade guard can cause injuries to the hands or fingers. Use suitable aids!
- Avoid cramped hand positions when guiding in the workpiece and avoid positions in which slipping could lead to your hand making direct contact with the saw blade.
- Always fit the saw blade with the teeth facing in the direction of the sawing table.
- Always set the correct blade tension to prevent the saw blades from jerking.
- Be especially careful when cutting material with irregular cut profiles.
- Exercise particular caution when cutting round objects such as rods and pipes. These can roll down into the saw blade and cause the teeth to catch. Use a wedge to brace such workpieces.
- The teeth can become caught in the kerf when the workpiece is pulled back, especially if sawings have filled in (blocked) the kerf. In this case, you should switch the saw off, pull the power plug, clear the kerf with a wedge, and remove the workpiece.
- Never leave the work area without having already switched the saw off. Wait until the saw stops moving completely.
- Do not position, join, or construct any parts on the work table while the saw is running.
- Only switch the saw on after you have removed any remaining material and tools from the work table. Leave only the workpiece to be machined and any aids (e.g. wedges) on the work table.
- Always wear safety goggles!
- Keep your fingers at a safe distance from the saw blade.
- Carefully guide the workpiece and keep it steady at all times.
- Never leave the work area without having already switched the saw off.
- Do not let your familiarity with the saw allow you to be careless. Carelessness can lead to severe injuries within a fraction of a second.

**Do not lose this safety information.**

### 3. Layout (Figs. 1-15)

1. Blow-off device
2. Mounting
3. Knurled screw
4. Holder
5. Saw blade guard
6. Saw table
7. Cover, left
8. Bearings
9. Tightening screw
10. Arm
11. Graduated scale
12. Locking lever
13. Extractor connection
14. ON/OFF switch
15. Speed regulator
16. Assembly points
- 17a. 5x sawblade 15 teeth/25 mm (cutting width approx. 0.7 mm)
- 17b. 5x sawblade 18 teeth/25 mm (cutting width approx. 0.4 mm)
18. Vacuum extractor unit adapter
19. Adapter for coping saw blades
20. Allen key, 2.5 mm
21. Allen key, 4 mm
22. Storage box for saw blades
23. Washer
24. Saw blade holder, top
25. Saw blade holder, bottom
26. Table insert
27. Pointer
28. Screw

### 4. Supplied package

- Open the packaging and take out the equipment with care.
- Remove the packaging material and any packaging and/or transportation braces (if available).
- Check to see if all items are supplied.
- Inspect the equipment and accessories for transport damage.
- If possible, please keep the packaging until the end of the guarantee period.

#### IMPORTANT

**The equipment and packaging material are not toys. Do not let children play with plastic bags, foils or small parts. There is a danger of swallowing or suffocating!**

- Fretsaw
- Saw blade guard
- Knurled screw (2x)
- Washer, Ø 6 mm (2x)
- Blow-off device
- Spare saw blade (10x) (for wood and plastics)
- Adapter, coping saw blade (2x)
- Allen key, 2.5 mm
- Allen key, 4 mm
- Extractor adapter
- Original operating instructions

GB/  
IE

## 5. Proper use

The fretsaw was designed to cut square-edged timber or wood-like workpieces such as Plexiglas, glass fiber reinforced plastic, foam, rubber, leather, and cork. Do not use this saw to cut round materials. Round materials can easily become jammed. **Risk of injury! Parts can be catapulted!**

The equipment may only be used for the tasks it is designed to handle. Any other use is deemed to be a case of misuse. The user/operator and not the manufacturer will be liable for any damage or injuries of any kind caused as a result of this.

Please note that our equipment has not been designed for use in commercial, trade or industrial applications. Our warranty will be voided if the equipment is used in commercial, trade or industrial businesses or for equivalent purposes.

- The equipment is to be operated only with suitable saw blades. It is prohibited to use any type of cutting-off wheel.
- To use the equipment properly you must also observe the safety information, the assembly instructions and the operating instructions to be found in this manual.
- All persons who use and service the equipment have to be acquainted with these operating instructions and must be informed about the equipment's potential hazards.
- It is also imperative to observe the accident prevention regulations in force in your area.
- The same applies for the general rules of health and safety at work.
- The manufacturer will not be liable for any changes made to the equipment nor for any damage resulting from such changes.

### Residual risks

**Even if you use this electric power tool in accordance to instructions, certain residual risks cannot be eliminated. The following hazards may arise in connection with the equipment's construction and layout:**

- Lung damage if no suitable protective dust mask is applied
- Damage to hearing if no suitable ear protection is applied
- Contact with the blade in the uncovered cutting zone
- Injuries (cuts) when changing the blade
- Crushed fingers
- Kickback
- Tilting of the workpiece due to inadequate support
- Touching the blade
- Catapulting of pieces of timber and workpieces

## 6. Technical data

Mains voltage:	230 V ~ 50 Hz
Power input:	120 W
Operating mode:	S6 30%
Power input:	80 W
Operating mode:	S2 20 min
Idle speed $n_0$ :	400 - 1,600 rpm
Protection type:	IP 20
Stroke:	21 mm
Base area:	410 x 245 mm
Tilting range of table:	0° to 45° to the left
Table size:	410 x 253 mm
Length of saw blade:	134 mm
Reach:	406 mm
Max. cutting height at 90°:	57 mm
Max. cutting height at 45°:	32 mm
Weight:	approx. 10.5 kg

### Operating mode S6 30%:

Continuous operation with idling (cycle time 10 minutes). To ensure that the motor does not become excessively hot, it may only be operated for 30% of the cycle at the specified rating and must then be allowed to idle for 70% of the cycle.

**Operating mode S2 20 min:**

Rated operating period 20 min / rated idle period 20 min

A load factor of S2 20 min (intermittent periodic duty) means that you may operate the motor continuously at its nominal power level 80 W for no longer than the time stipulated on the specifications label (20 min). If you fail to observe this time limit the motor will overheat. During the OFF period the motor will cool again to its starting temperature.

**Noise emission values****Sound and vibration**

Sound and vibration values were measured in accordance with EN 61029.

**Wear ear-muffs.**

The impact of noise can cause damage to hearing.

	Mode	Idle
Sound pressure level $L_{pA}$ :	82.6 dB	62.3 dB
Uncertainty $K_{pA}$ :		3 dB
Sound power level $L_{WA}$ :	95.6 dB	75.3 dB
Uncertainty $K_{WA}$ :		3 dB

The quoted values are emission values and not necessarily reliable workplace values. Although there is a correlation between emission and immission levels it is impossible to draw any certain conclusions as to the need for additional precautions. Factors with a potential influence on the actual immission level at the workplace include the duration of impact, the type of room, and other sources of noise etc., e.g. the number of machines and other neighboring operations. Reliable workplace values may also vary from country to country. With this information the user should at least be able to make a better assessment of the dangers and risks involved.

**Reduce noise generation and vibration to a minimum!**

Use only equipment that is in perfect condition. Maintain and clean the equipment regularly. Adopt your way of working to the equipment. Do not overload the equipment. Have the equipment checked if necessary. Switch off the equipment when not in use.

**7. Before starting the machine****Important.**

**Always pull out the power plug before making adjustments to the equipment.**

**7.1 General information**

- All covers and safety devices have to be properly fitted before the equipment is switched on.
- It must be possible for the blade to run freely.
- When working with wood that has been processed before, watch out for foreign bodies such as nails or screws, etc.
- Before you actuate the On/Off switch, make sure that the saw blade is correctly fitted and that the equipment's moving parts run smoothly.
- Check that the voltage on the rating plate is the same as your supply voltage before you connect the equipment to the power supply.
- Only ever connect the equipment to a properly installed shock-proof socket which is protected by a 10A fuse as a minimum.

**7.2 Installing the fretsaw on a workbench (Fig. 3, 4)**

The unit may only be installed by a professional.

Required for installing (not provided):

- M8 hex screw (4x)
- M8 hex nut (8x)
- Washer, Ø 8 mm (4x)
- Flat gasket, Ø 8 mm (4x)
- Rubber base: 450 x 250 x 13 mm

**GB/  
IE**

The length of the screws to be used varies, depending on the thickness of the table top.

- Install the fretsaw on a work table made from solid wood. This will avoid excessive noise caused by vibrations.
- Mark the drill holes. Use the fretsaw as a template for this purpose.
- Drill 4 holes with a diameter of 9 mm into the work table and the rubber base.
- Screw the fretsaw to the table using the mounting points (Fig. 3/12, Item 16) and in the following sequence (Fig. 4):

- A) Fretsaw
- B) Rubber base
- C) Work table
- D) Flat gasket
- E) Washer
- F) Hex nut
- G) Hex nut
- H) Hex screw

- Tighten the hex nut (F) and secure it with a second hex nut (G).

### 7.3 Assembly

**Important!** Always pull out the power plug before carrying out any maintenance or conversion work on the fretsaw.

#### 7.3.1 Mounting the saw blade guard and the sawdust blower facility (Fig. 6/7/8)

- Slide the saw blade guard (5) onto the holder (4).
- Push the knurled screws (3) through the oval holes of the saw blade guard (5) and tighten.
- The saw blade guard can be affixed at different heights using the knurled screws.
- Mount the blow-off device (1) as shown in Figure 8.

#### 7.3.2 Changing the saw blade (Fig. 1/6/9/10/11/14)

##### **Important**

**To avoid injuries attributed to inadvertent startup: Always move the switch to the "0" position and pull the power plug out of the socket outlet before removing or changing the saw blade.**

- Turn the tightening screw (9) counterclockwise to remove the tension from the saw blade (17).
- Unscrew the left cover (7). To do this, open the cover of the storage box (22) and remove the screws (C) (Fig. 6). (It is also possible to change the saw blade without removing the left cover. This, however, requires a little bit of finesse.)
- Remove the saw blade from the upper saw blade holder (24) while pressing down on the upper pendulum arm.
- Remove the saw blade from the lower saw blade holder (25).
- Lift the saw blade up and out of the table insert (26).
- Insert new saw blade in reverse order.

**Important: Always fit the saw blade with the teeth facing downward in the direction of the saw table.**

The saw blade can be inserted into groove a (Fig. 9,10) or b (Fig. 9,11):

##### **Groove a:**

For cuts longitudinal to the arm

##### **Groove b:**

For cuts transverse to the arm

Tension the saw blade by turning the tightening screw (9) to the right. When the tightening screw becomes a little harder to turn, turn it approximately 3 times more (3 full turns) to ensure that it is properly tensioned.

- Reinstall the left cover (7) (only if removed).

### 7.3.3 Calibrating the angle scale

**Important:** The angle scale is already properly set when delivered.

Align the saw table using a 90° stop angle on the table and at the saw blade (Fig. 12). Slacken the screw (28) and turn the pointer (27) to the 90° mark.

Carry out a test run for precise machining:

Test the angle set by making a sample cut and checking the respective number of degrees on the workpiece using an angle gage. Readjust the pointer (27) if necessary.

## 8. Operation

### 8.1 Note:

- The saw does not cut wood automatically. Rather, the operator must push and guide the wood toward the moving saw blade.
- The teeth only cut the wood on the downstroke.
- The wood must be slowly pushed and guided toward the saw blade, since the teeth of the blade are very small.
- Those who want to use the saw must go through the process of learning how to do so. During this time, a few blades will invariably break.
- When cutting thicker wood, special attention must be paid not to bend or twist the saw blade.

Handling the saw blade properly increases its service life.

### 8.2 ON/OFF switch (Fig. 2/Item 14)

- Press the "I" button to switch on.
- Press the "O" button to switch off.

**Important:** The machine is equipped with a safety switch to prevent it from being switched on again accidentally after a power failure.

If the mains power supply is interrupted when the fretsaw is switched on, the saw will switch off and remain in this state, even after the power is restored. Press the "I" switch again to switch the saw back on.

### 8.3 Speed regulator

The speed regulator (15) allows you to set the blade speed appropriate to the material to be cut. We recommend high speeds for soft material and low speeds for hard material. Turning the speed regulator (15) to the right increases rotational speed.

### 8.4 Inside cutting

One of the features of this fretsaw is that it can make cuts inside a panel without damaging the outside or edges.

To cut inside a panel:

- Remove the saw blade as described in section 7.3.2.
- Drill a hole in the panel in question.
- Lay the panel with the hole over the access hole in the saw table.
- Insert the saw blade through the hole in the panel and set the blade tension.
- When you have finished cutting, remove the saw blade from the blade holders (as described in section 7.3.2) and lift the panel off the table.

### 8.5 Miter cutting

Swivel the saw table by loosening the locking lever (12) and tilting the table to the desired position (Fig. 13). Tighten the locking lever.

### Important.

Be especially careful when making miter cuts. The angle of the saw table makes it easier for the workpiece to slip. **Risk of injury.**

### 8.6 Adapter for coping saw blades (Fig. 5/14)

- Remove the saw blade as described in 7.3.2.
- Now insert the coping saw blade (17) in the adapter. Use the 2.5 mm Allen key for this. **Important:** The coping saw blade is not supplied.
- First remove the table insert (26).
- Then hook both adapters (19) on the two saw blade holders (24/25).
- Insert the saw blade as described in 7.3.2.

## 9. Replacing the power cable

If the power cable for this equipment is damaged, it must be replaced by the manufacturer or its after-sales service or similarly trained personnel to avoid danger.

## 10. Cleaning, maintenance, storage and ordering of spare parts

### Important.

Always pull out the power plug before starting any cleaning work.

### 10.1 Cleaning

- Keep all safety devices, air vents and the motor housing free of dirt and dust as far as possible.
- We recommend that you clean the equipment immediately after you use it.
- Open the left cover (Fig. 1/Item 7) and remove coarse contaminants (sawings, dust) with a hand broom.
- Wipe the equipment with a clean cloth or blow it down with compressed air at low pressure.
- Clean the equipment regularly with a damp cloth and some soft soap. Do not use cleaning agents or solvents; these may be aggressive to the plastic parts in the equipment. Ensure that no water can get into the interior of the equipment.

### 10.2 Servicing

There are no parts inside the equipment which require additional maintenance.

#### 10.2.1 Bearing(s) (Fig. 1/Item 8)

Periodically lubricate the bearings of the guide rollers with high-grade machine grease, at the latest however after 25 to 30 hours of operation.

### 10.2.2 Carbon brushes

In case of excessive sparking, have the carbon brushes checked only by a qualified electrician. Important: The carbon brushes should not be replaced by anyone but a qualified electrician.

### 10.3 Storage

Store the equipment and accessories out of children's reach in a dark and dry place at above freezing temperature. The ideal storage temperature is between 5 and 30 °C. Store the electric tool in its original packaging.

### 10.4 Ordering replacement parts

The following information must be provided on all orders for spare parts:

- Model/type of the equipment
- Article number of the equipment
- ID number of the equipment

For our latest prices and information please go to [www.isc-gmbh.info](http://www.isc-gmbh.info).

## 11. Disposal and recycling

The equipment is supplied in packaging to prevent it from being damaged in transit. The raw materials in this packaging can be reused or recycled. The equipment and its accessories are made of various types of material, such as metal and plastic. Defective components must be disposed of as special waste. Ask your dealer or your local council.



For EU countries only

Never place any electric power tools in your household refuse.

To comply with European Directive 2002/96/EC concerning old electric and electronic equipment and its implementation in national laws, old electric power tools have to be separated from other waste and disposed of in an environment-friendly fashion, e.g. by taking to a recycling depot.



Recycling alternative to the return request:

As an alternative to returning the equipment to the manufacturer, the owner of the electrical equipment must make sure that the equipment is properly disposed of if he no longer wants to keep the equipment. The old equipment can be returned to a suitable collection point that will dispose of the equipment in accordance with the national recycling and waste disposal regulations. This does not apply to any accessories or aids without electrical components supplied with the old equipment.

GB/  
IE

## 12. Declaration of conformity

Einhell Germany AG · Wiesenweg 22 · D-94405 Landau/Isar



## Konformitätserklärung

- (C)** erkl rt folgende Konformit t gem   EU-Richtlinie und Normen f r Artikel
- (G)** explains the following conformity according to EU directives and norms for the following product
- (F)** d clare la conformit  suivante selon la directive CE et les normes concernant l'article
- (I)** dichiara la seguente conformit  secondo la direttiva UE e le norme per l'articolo
- (NL)** verklaart de volgende overeenstemming conform EU richtlijn en normen voor het product
- (E)** declara la siguiente conformidad a tenor de la directiva y normas de la UE para el art culo
- (P)** declara a seguinte conformidade, de acordo com a directiva CE e normas para o artigo
- (DK)** attererer f lgende overensstemmelse i medf r af EU-direktiv samt standarder for artikel
- (S)** f rklarar f ljande  verensst mmelse enl. EU-direktiv och standarder f r artikeln
- (RU)** vakuuttaa, ett  tuote t ytt   EU-direktiivin ja standardien vaatimukset
- (EL)** t endab toote vastavust EL direktiivile ja standarditele
- (CZ)** vyd v  n sleduj c  prohl sen  o shod  podle sm rnice EU a norem pro v robek
- (SK)** potvrjuje slede o skladnost s smernico EU in standardi za izdelek
- (HU)** vyd v a nasleduj ce prehl senie o zhode podl'a smernice E  a noriem pre v robok
- (H)** a cikkekhez az EU-ir nyvonal  s Norm k szerint a k vetkez  konformit st jelenti ki
- (PL)** deklaruje zgodno c wymienionego ponizej artykulu z nast puj cymi normami na podstawie dyrektywy WE.
- (BG)** deklariра съответното съответствие съгласно Директива на ЕС и норми за артикул
- (LV)** paskaidro š du atbilst bu ES direkt vai un standartiem
- (LT)** apib dina š  atitikim  EU reikalavimams ir prek s normoms
- (RO)** declar  urm toarea conformitate conform directivei UE și normelor pentru articolul
- (GR)** d hl nei την ακ λουθη συμf ρφωση σύμφωνα με την Οδηγία ΕΚ και τα π rτυπα για το π ροϊόν
- (HR)** potvrđuje sljedeću usklađenost prema smjernicama EU i normama za artikl
- (SI)** potvrđuje sljedeću usklađenost prema smjernicama EU i normama za artikl
- (SE)** potvrđuje sledeću usklađenost prema smernicama EZ i normama za artikl
- (BG)** следующим удостоверяется, что следующие продукты соответствуют директивам и нормам ЕС
- (UK)** проголошує про зазначену нижче відповідність виробу директивам та стандартам ЄС на виріб
- (MK)** ja izjavuva slednata soobrznost согласно E -dирективата и нормите за артикли
- (TR)**  r n  ile ilgili AB direktifleri ve normları gereğince a ağıda a ıklanan uygunluęu belirtir
- (N)** erkl rer f lgende samsvar i henhold til EU-direktivet og standarder for artikkel
- (IS)** L sir uppfyllingu EU-reglna og annarra staða v ru

## Dekupiers ge PDKS 120 A2 (Parkside)

- 87/404/EC\_2009/105/EC
- 2006/42/EC
- 2005/32/EC\_2009/125/EC
- Annex IV  
Notified Body:  
Notified Body No.:  
Reg. No.:
- 2006/95/EC
- 2006/28/EC
- 2004/108/EC
- 2000/14/EC\_2005/88/EC
- 2004/22/EC
- Annex V
- 1999/5/EC
- Annex VI  
Noise: measured  $L_{WA}$  = dB (A); guaranteed  $L_{WA}$  = dB (A)  
P = KW; L/Ø = cm  
Notified Body:
- 97/23/EC
- 90/396/EC\_2009/142/EC
- 2004/26/EC  
Emission No.:
- 89/686/EC\_96/58/EC

Standard references: EN 61029-1; EN 55014-1; EN 55014-2; EN 61000-3-2; EN 61000-3-3

Landau/Isar, den 30.03.2011

  
Weichselgartner/General Manager


  
Wentao/Product-Management

First CE: 11  
Art.-No.: 43.090.26 I.-No.: 11021  
Subject to change without notice

Archive-File/Record: NAPR003895  
Documents registrar: Siegfried Roider  
Wiesenweg 22, D-94405 Landau/Isar

# 13. GUARANTEE CERTIFICATE

## Dear Customer,

All of our products undergo strict quality checks to ensure that they reach you in perfect condition. In the unlikely event that your device develops a fault, please contact our service department at the address shown on this guarantee card. Of course, if you would prefer to call us then we are also happy to offer our assistance under the service number printed below. Please note the following terms under which guarantee claims can be made:

1. These guarantee terms cover additional guarantee rights and do not affect your statutory warranty rights. We do not charge you for this guarantee.
2. Our guarantee only covers problems caused by material or manufacturing defects, and it is restricted to the rectification of these defects or replacement of the device. Please note that our devices have not been designed for use in commercial, trade or industrial applications. Consequently, the guarantee is invalidated if the equipment is used in commercial, trade or industrial applications or for other equivalent activities. The following are also excluded from our guarantee: compensation for transport damage, damage caused by failure to comply with the installation/assembly instructions or damage caused by unprofessional installation, failure to comply with the operating instructions (e.g. connection to the wrong mains voltage or current type), misuse or inappropriate use (such as overloading of the device or use of non-approved tools or accessories), failure to comply with the maintenance and safety regulations, ingress of foreign bodies into the device (e.g. sand, stones or dust), effects of force or external influences (e.g. damage caused by the device being dropped) and normal wear resulting from proper operation of the device. This applies in particular to rechargeable batteries for which we nevertheless issue a guarantee period of 12 months.  
  
The guarantee is rendered null and void if any attempt is made to tamper with the device.
3. The guarantee is valid for a period of 3 years starting from the purchase date of the device. Guarantee claims should be submitted before the end of the guarantee period within two weeks of the defect being noticed. No guarantee claims will be accepted after the end of the guarantee period. The original guarantee period remains applicable to the device even if repairs are carried out or parts are replaced. In such cases, the work performed or parts fitted will not result in an extension of the guarantee period, and no new guarantee will become active for the work performed or parts fitted. This also applies when an on-site service is used.
4. In order to assert your guarantee claim, please send your defective device postage-free to the address shown below. Please enclose either the original or a copy of your sales receipt or another dated proof of purchase. Please keep your sales receipt in a safe place, as it is your proof of purchase. It would help us if you could describe the nature of the problem in as much detail as possible. If the defect is covered by our guarantee then your device will either be repaired immediately and returned to you, or we will send you a new device.

Of course, we are also happy offer a chargeable repair service for any defects which are not covered by the scope of this guarantee or for units which are no longer covered. To take advantage of this service, please send the device to our service address.

Einhell UK Ltd  
Morpeth Wharf  
Twelve Quays  
Birkenhead, Wirral  
**CH41 1LF**  
Tel. 0151 6491500, Fax 0151 6491501



IAN: 67036 PDKS 120 A2  
**Einhell Germany AG**  
Wiesenweg 22  
D-94405 Landau/Isar

Last Information Update: 05/2011  
Ident.-No.: 43.090.26 052011 - 6

