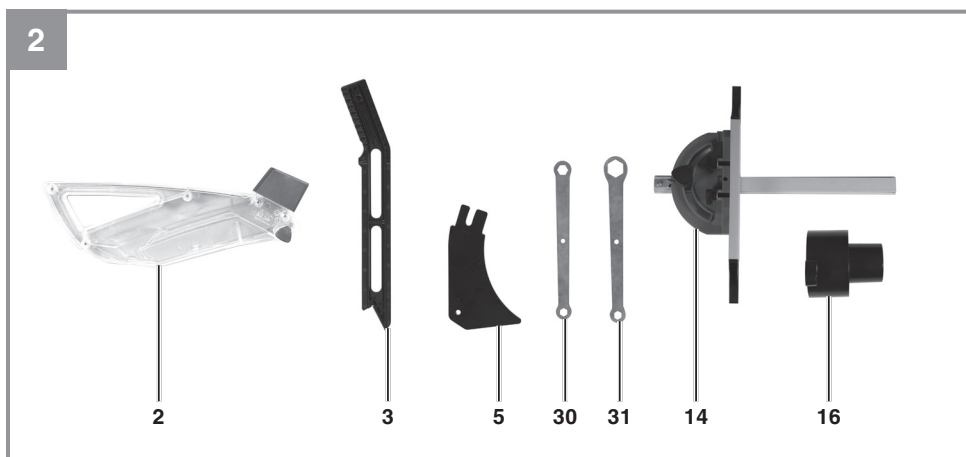
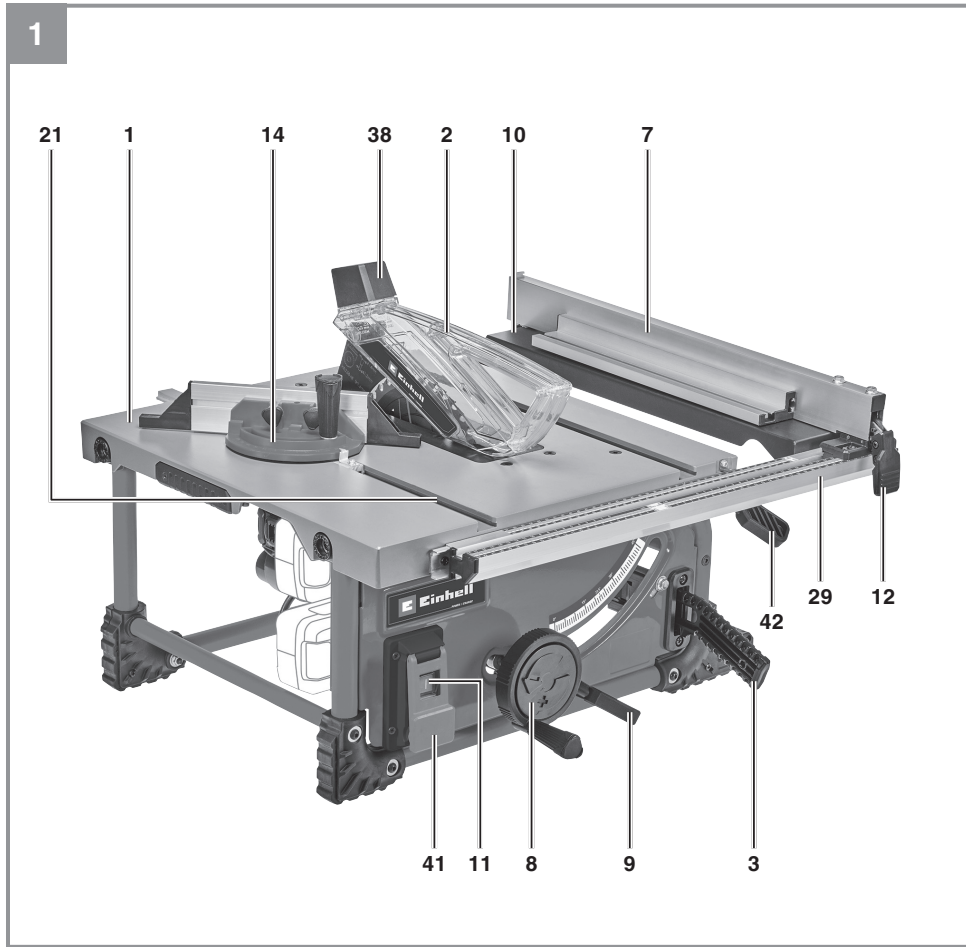


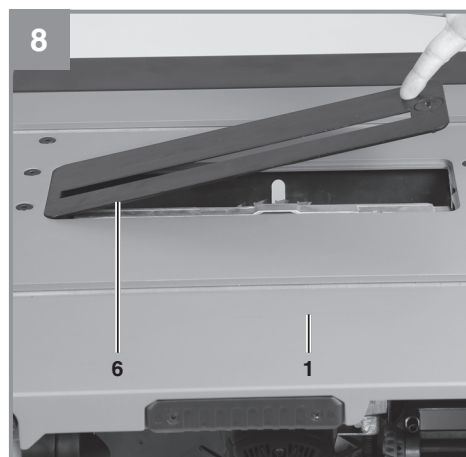
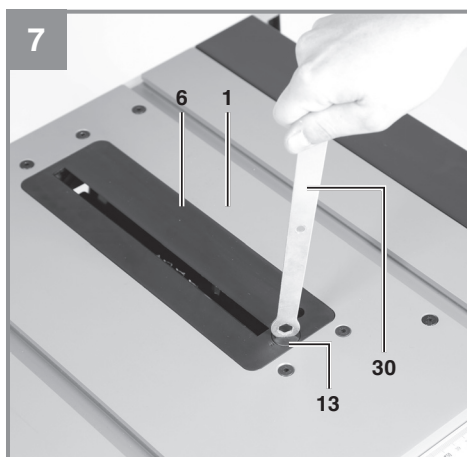
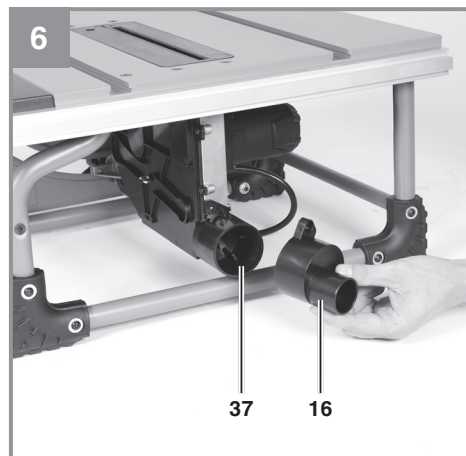
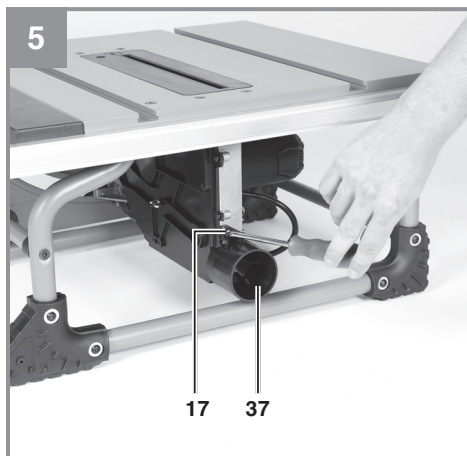
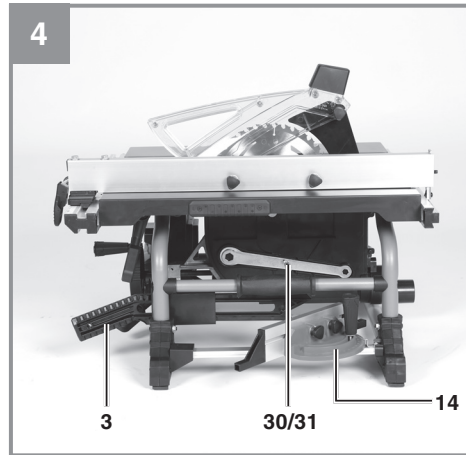
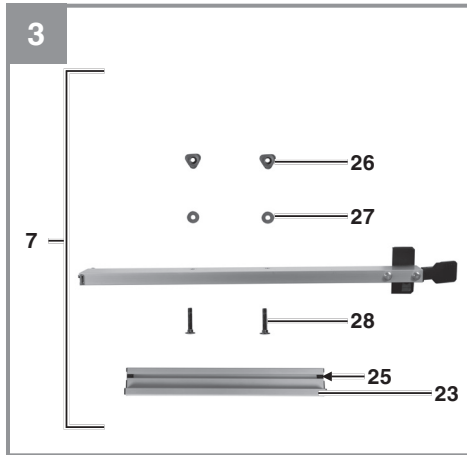
- EN** Operating instructions
Cordless Worksite Table Saw
- FR** Mode d'emploi
Scie de chantier sans fil
- SP** Manual de instrucciones
Sierra de mesa inalámbrica para el
lugar de trabajo

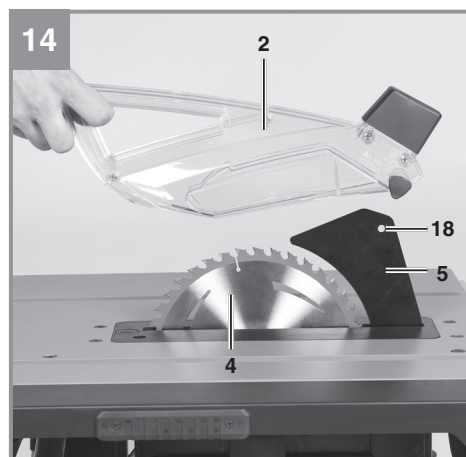
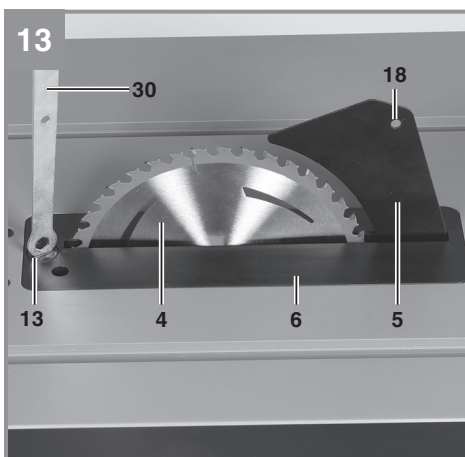
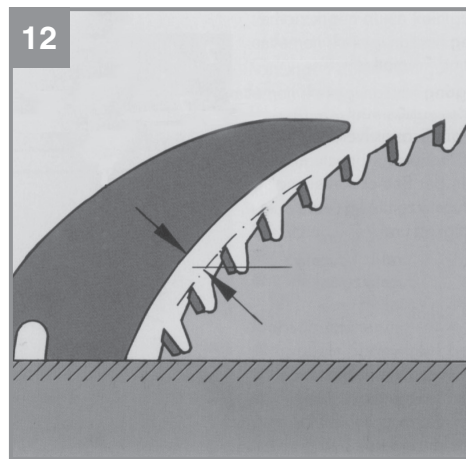
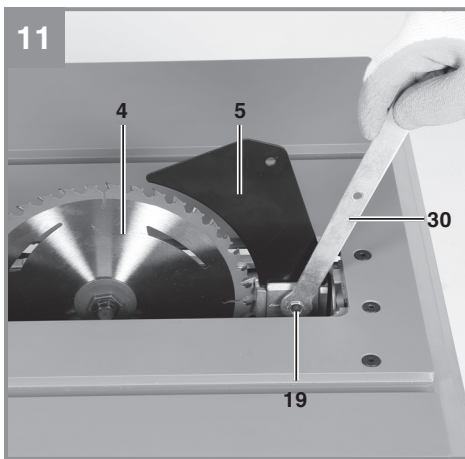
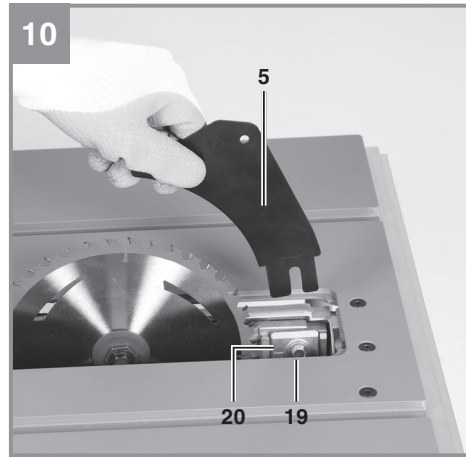
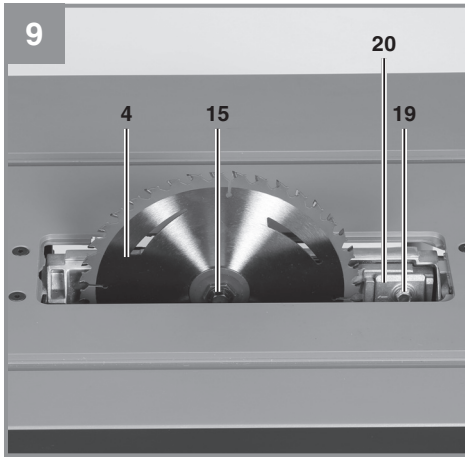


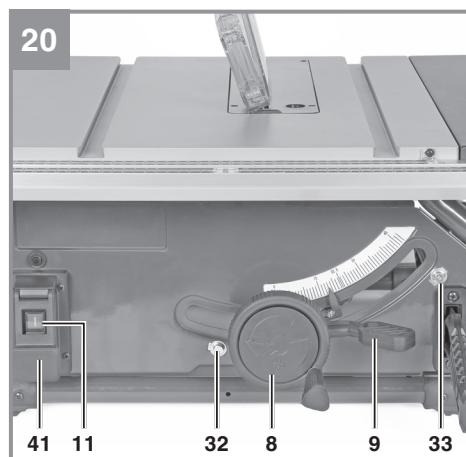
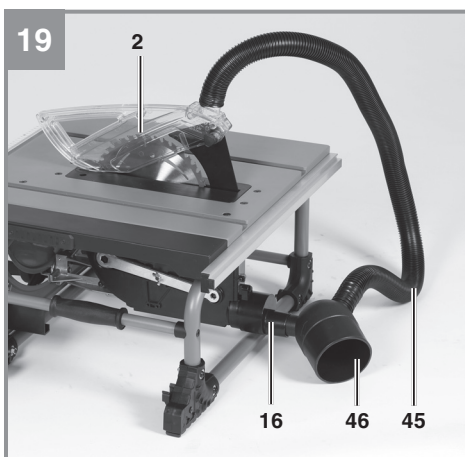
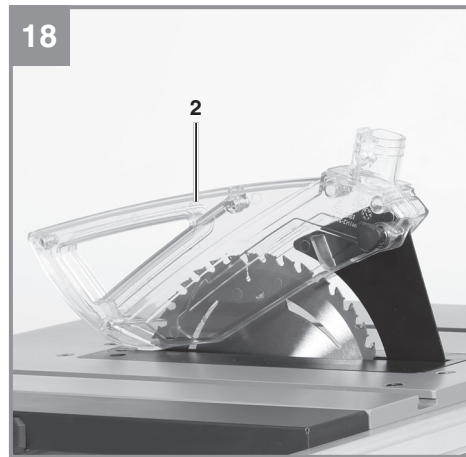
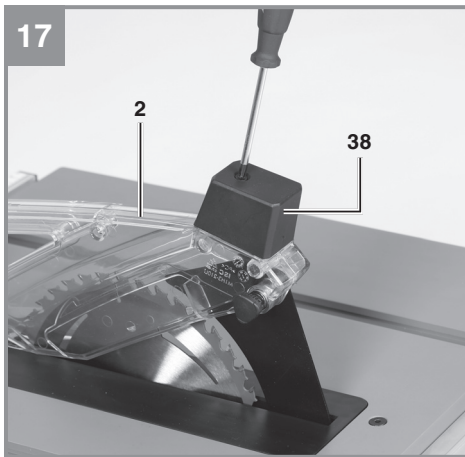
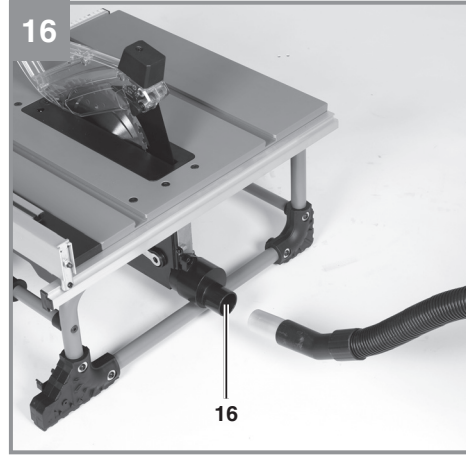
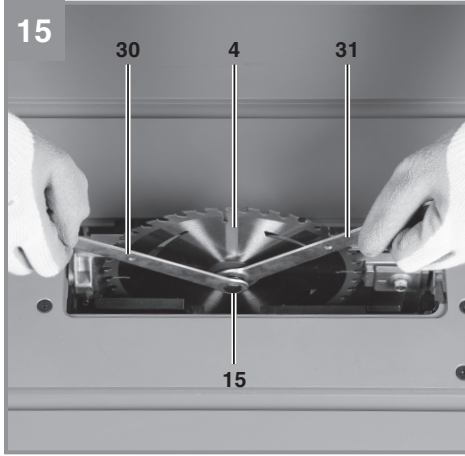
Art.-Nr.: 4340451

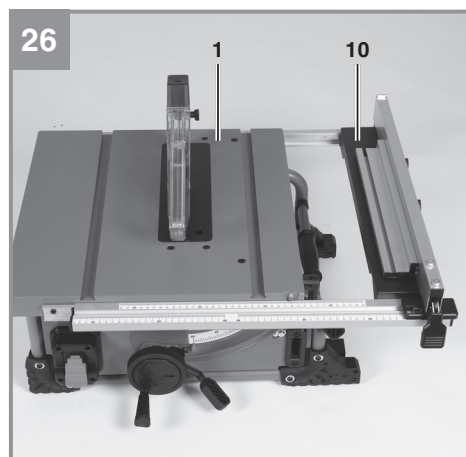
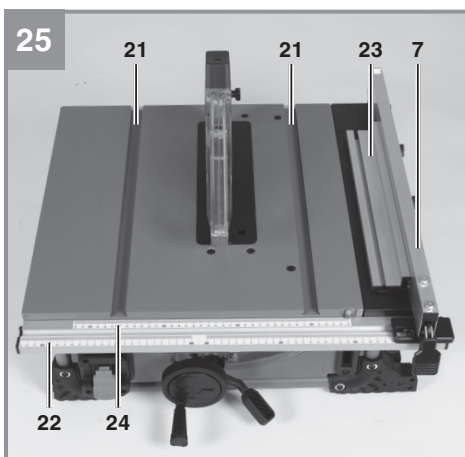
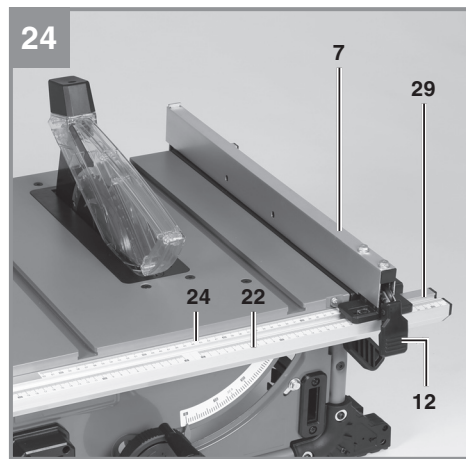
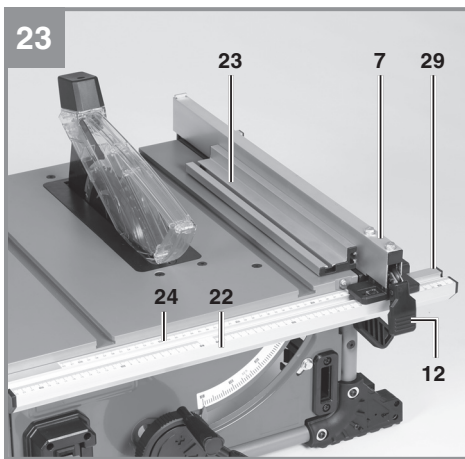
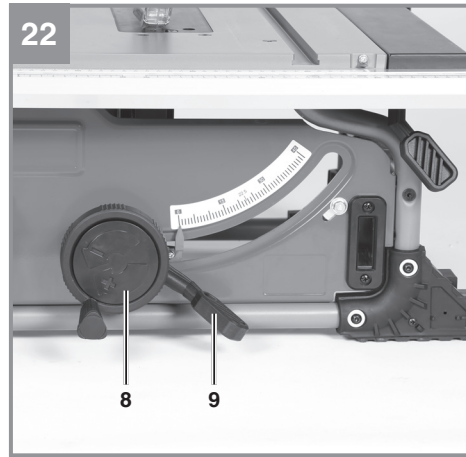
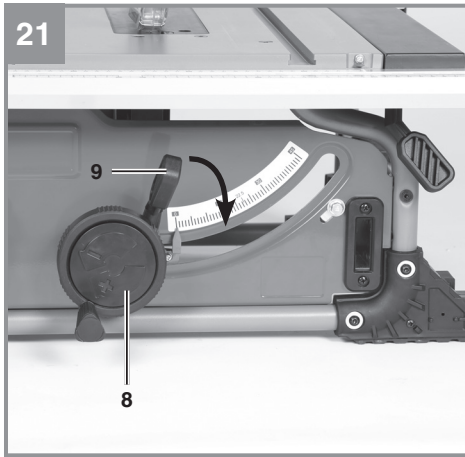
I.-Nr.: 21011

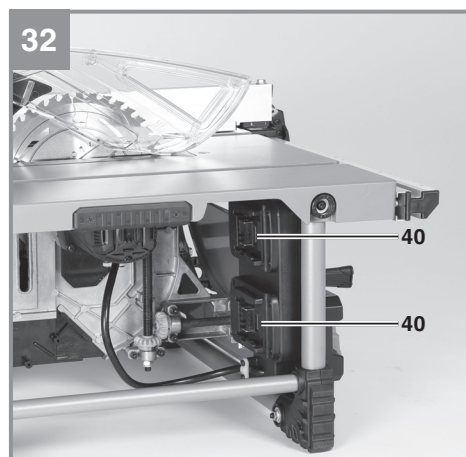
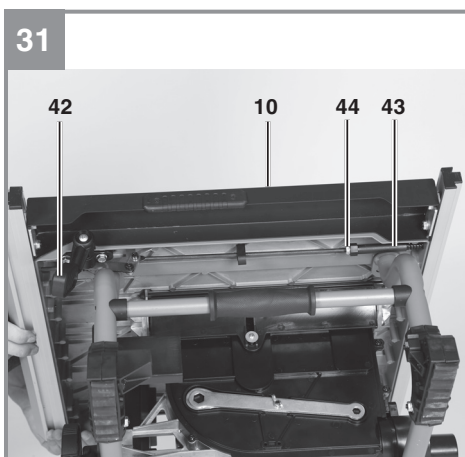
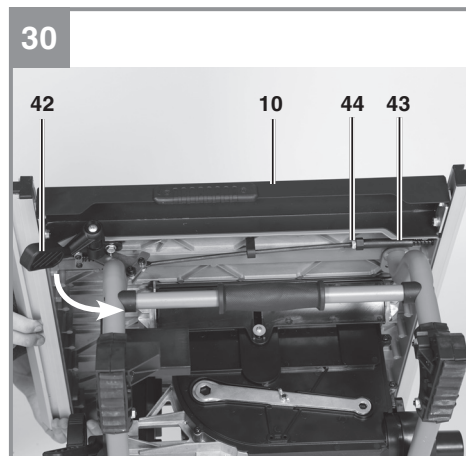
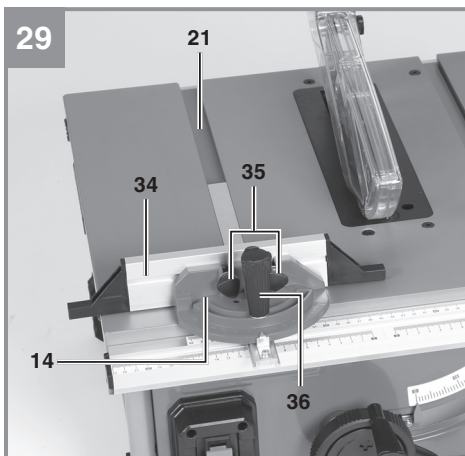
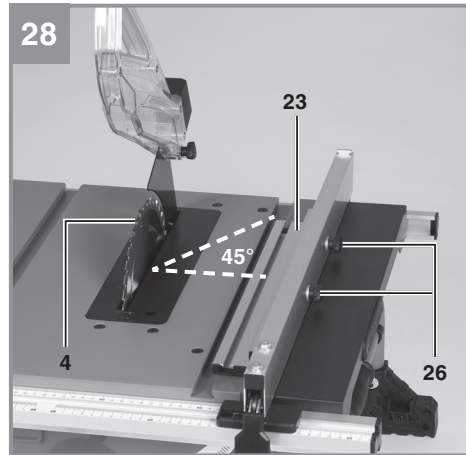
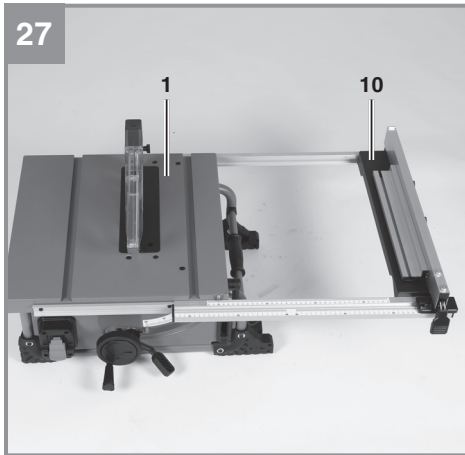


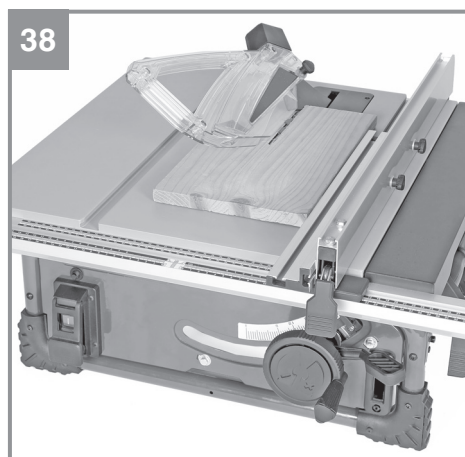
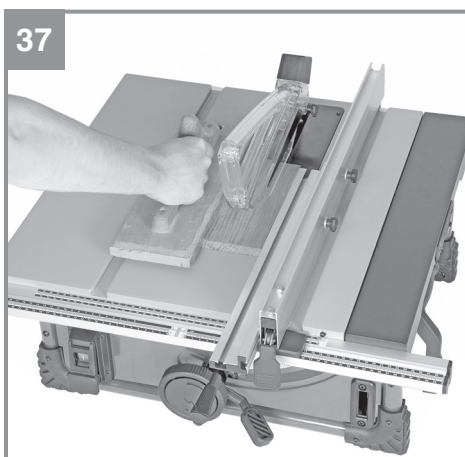
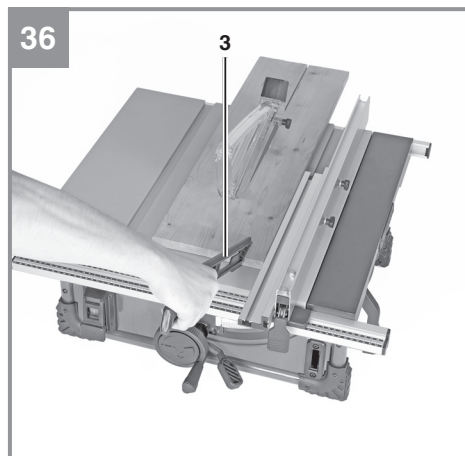
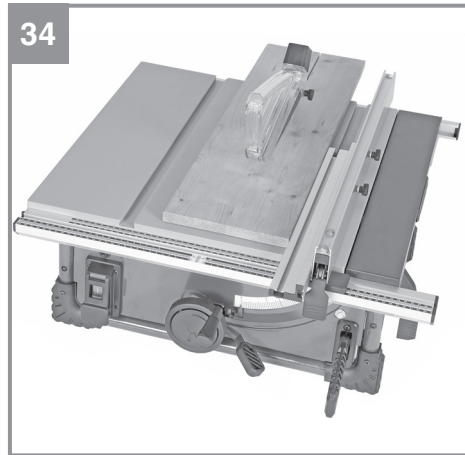
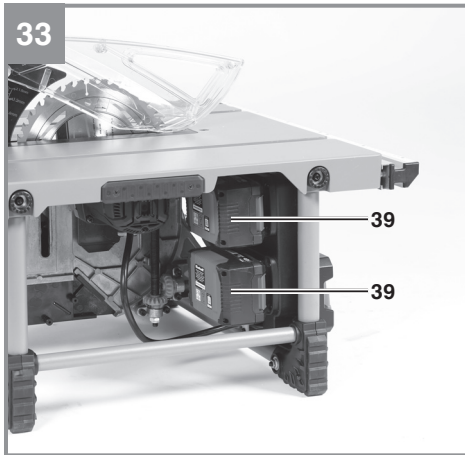


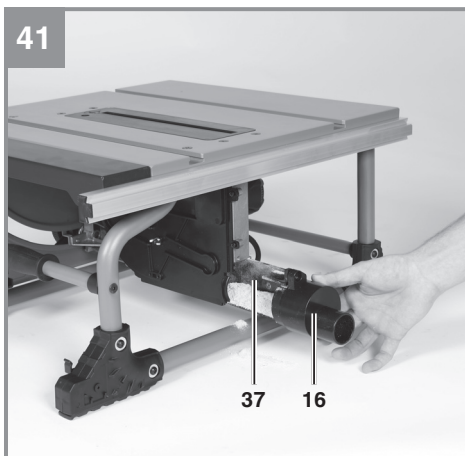
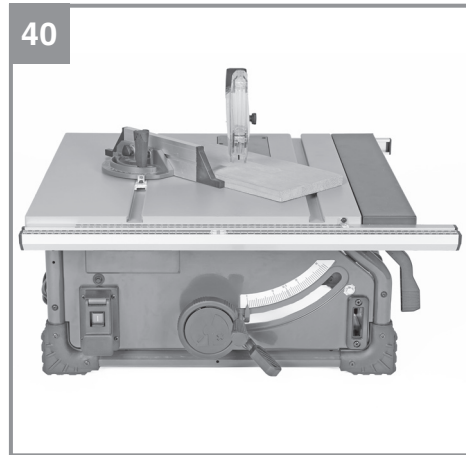
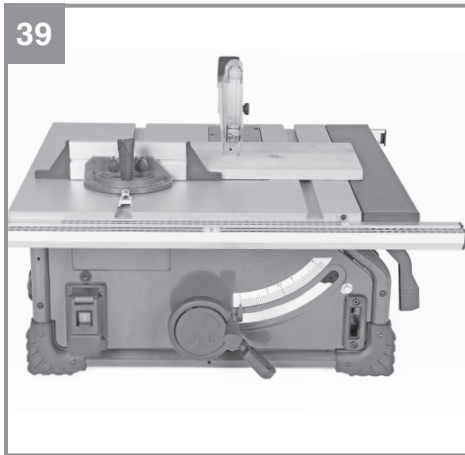




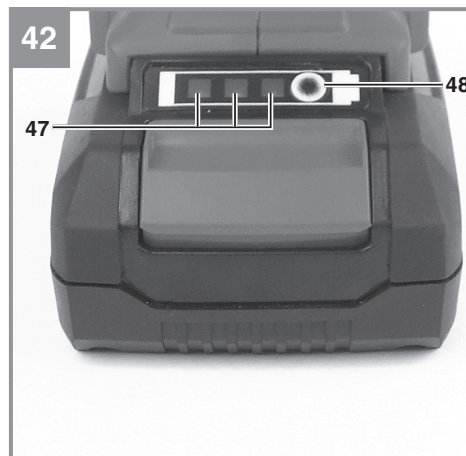








37 16



47 48



Danger! - Read the operating instructions to reduce the risk of injury.



Caution! Wear ear-muffs. The impact of noise can cause damage to hearing.



Caution! Wear a breathing mask. Dust which is injurious to health can be generated when working on wood and other materials. Never use the tool to work on any materials containing asbestos!



Caution! Wear safety goggles. Sparks generated during work or splinters, chips and dust emitted by the equipment can cause loss of sight.



Store the batteries only in dry rooms with an ambient temperature of 50°F to 104°F (+10°C to +40°C). Place only fully charged batteries in storage (charged at least 40%).



Caution! Risk of injury! Do not reach into the running saw blade.



Using the supplied ring wrench, turn the disk counterclockwise to release the table insert. Turn the disk clockwise to secure the table insert and prevent it falling out.

DANGER!

When using the equipment, a number of safety precautions must be observed to avoid injuries and damage. Please read the complete operating instructions and safety information with due care. Keep these operating instructions in a safe place so that the information is available at all times. If you give the equipment to any other person, hand over these operating instructions and the safety information as well. We cannot accept any liability for damage or accidents which arise due to failure to follow these instructions and the safety information.

1. Safety information

DANGER!

Read all the safety information and instructions. Failure to adhere to the safety information and instructions set out below may result in electric shock, fire and/or serious injury. **Keep all the safety information and instructions in a safe place for future use.**

General safety information for power tools

The term "power tool" used in the safety regulations refers to power tools operated from the mains power supply (with a power cable) and to battery operated power tools (without a power cable).

1) Work area safety

- a) **Keep work area clean and well lit.** *Cluttered and dark areas invite accidents.*
- b) **Do not operate power tools in explosive atmospheres, such as in the presence of flammable liquids, gases or dust.** *Power tools create sparks which may ignite the dust or fumes.*
- c) **Keep children and bystanders away while operating a power tool.** *Distractions can cause you to lose control.*

2) Electrical safety

- a) **Power tool plugs must match the outlet. Never modify the plug in any way. Do not use any adapter plugs with earthed (grounded) power tools.** *Unmodified plugs and matching outlets will reduce risk of electric shock.*
- b) **Avoid body contact with earthed or grounded surfaces such as pipes, radiators, ranges and refrigerators.** *There is an increased risk of electric shock if your body is*

earthed or grounded.

- c) **Do not expose power tools to rain or wet conditions.** *Water entering a power tool will increase the risk of electric shock.*
 - d) **Do not abuse the cord. Never use the cord for carrying, pulling or unplugging the power tool. Keep cord away from heat, oil, sharp edges or moving parts.** *Damaged or entangled cords increase the risk of electric shock.*
 - e) **When operating a power tool outdoors, use an extension cord suitable for outdoor use.** *Use of a cord suitable for outdoor use reduces the risk of electric shock.*
 - f) **If operating a power tool in a damp location is unavoidable, use a ground fault circuit interruptor (GFCI) protected supply.** *Use of an GFCI reduces the risk of electric shock.*
- ### 3) Personal safety
- a) **Stay alert, watch what you are doing and use common sense when operating a power tool. Do not use a power tool while you are tired or under the influence of drugs, alcohol or medication.** *A moment of inattention while operating power tools may result in serious personal injury.*
 - b) **Use personal protective equipment. Always wear eye protection.** *Protective equipment such as dust mask, non-skid safety shoes, hard hat, or hearing protection used for appropriate conditions will reduce personal injuries.*
 - c) **Prevent unintentional starting. Ensure the switch is in the Off-position before connecting to power source and/or BATTERY pack, picking up or carrying the tool.** *Carrying power tools with your finger on the switch or energizing power tools that have the switch on invites accidents.*
 - d) **Remove any adjusting key or wrench before turning the power tool on.** *A wrench or a key left attached to a rotating part of the power tool may result in personal injury.*
 - e) **Do not overreach. Keep proper footing and balance at all times.** *This enables better control of the power tool in unexpected situations.*
 - f) **Dress properly. Do not wear loose clothing or jewellery. Keep your hair, clothing and gloves away from moving parts.** *Loose clothes, jewelery or long hair can be caught in moving parts.*
 - g) **If devices are provided for the connection**

of dust extraction and collection facilities, ensure these are connected and properly used. *Use of these devices can reduce dust related hazards.*

- h) **Do not let familiarity gained from frequent use of tools allow you to become complacent and ignore tool safety principles.** *A careless action can cause severe injury within a fraction of a second.*
- 4) Power tool use and care**
- a) **Do not force the power tool. Use the correct power tool for your application.** *The correct power tool will do the job better and safer at the rate for which it was designed.*
- b) **Do not use the power tool if the switch does not turn it on and off.** *Any power tool that cannot be controlled with the switch is dangerous and must be repaired.*
- c) **Disconnect the plug from the power source and/or remove the battery pack, if detachable, from the power tool before making any adjustments, changing accessories, or storing power tools.** *Such preventive safety measures reduce the risk of starting the power tool accidentally.*
- d) **Store idle power tools out of the reach of children and do not allow persons unfamiliar with the power tool or these instructions to operate the power tool.** *Power tools are dangerous in the hands of untrained users.*
- e) **Maintain power tools and accessories. Check for misalignment or binding of moving parts, breakage of parts and any other condition that may affect the power tool's operation. If damaged, have the power tool repaired before use.** *Many accidents are caused by poorly maintained power tools.*
- f) **Keep cutting tools sharp and clean.** *Properly maintained cutting tools with sharp cutting edges are less likely to bind and are easier to control.*
- g) **Use the power tool, accessories and tool bits etc., in accordance with these instructions and in the manner intended for the particular type of power tool, taking into account the working conditions and the work to be performed.** *Use of the power tool for operations different from intended could result in a hazardous situation.*
- h) **Keep handles and grasping surfaces dry, clean and free from oil and grease.** *Slippery handles and grasping surfaces do not*

allow for safe handling and control of the tool in unexpected situations.

5) Battery tool use and care

- a) **Recharge only with the charger specified by the manufacturer.** *A charger that is suitable for one type of battery pack may create a risk of fire when used with another battery pack.*
- b) **Use power tools only with specifically designated battery packs.** *Use of any other battery packs may create a risk of injury and fire.*
- c) **When battery pack is not in use, keep it away from other metal objects, like paper clips, coins, keys, nails, screws or other small metal objects that can make a connection from one terminal to another.** *Shorting the battery terminals together may cause burns or a fire.*
- d) **Under abusive conditions, liquid may be ejected from the battery; avoid contact. If contact accidentally occurs, flush with water. If liquid contacts eyes, additionally seek medical help.** *Liquid ejected from the battery may cause irritation or burns.*
- e) **Do not use a BATTERY pack or tool that is damaged or modified.** *Damaged or modified batteries may exhibit unpredictable behavior resulting in fire, EXPLOSION or risk of injury.*
- f) **Do not expose a BATTERY pack or tool to fire or excessive temperature.** *Exposure to fire or temperature above 266°F (130°C) may cause explosion.*
- g) **Follow all charging instructions and do not charge the BATTERY pack or tool outside the temperature range specified in the instructions.** *Charging improperly or at temperatures outside the specified range may damage the BATTERY and increase the risk of fire.*

6) Service

- a) **Have your power tool serviced by a qualified repair person using only identical replacement parts.** *This will ensure that the safety of the power tool is maintained.*
- b) **Never service damaged BATTERY packs.** *Service of BATTERY packs should only be performed by the manufacturer or authorized service providers.*

Additional safety instructions

We pay a great deal of attention to the design of

every battery pack to ensure that we supply you with batteries which feature maximum power density, durability and safety. The battery cells have a wide range of safety devices. Each individual cell is initially formatted and its electrical characteristic curves are recorded. These data are then used exclusively to be able to assemble the best possible battery packs.

Despite all the safety precautions, caution must always be exercised when handling batteries. The following points must be obeyed at all times to ensure safe use.

Safe use can only be guaranteed if undamaged cells are used. Incorrect handling can cause cell damage.

Caution! Analyses confirm that incorrect use and poor care are the main causes of the damage caused by high performance batteries.

Information about the battery

1. The battery pack supplied with your cordless tool is not charged. The battery pack has to be charged before you use the tool for the first time.
2. For optimum battery performance avoid low discharge cycles. Charge the battery pack frequently.
3. Store the battery pack in a cool place, ideally at 59°F (15°C) and charged to at least 40%.
4. Lithium-Ion batteries are subject to a natural ageing process. The battery pack must be replaced at the latest when its capacity falls to just 80% of its capacity when new. Weakened cells in an aged battery pack are no longer capable of meeting the high power requirements and therefore pose a safety risk.
5. Do not throw battery packs into an open fire. There is a risk of explosion!
6. Do not ignite the battery pack or expose it to fire.
7. **Do not exhaustively discharge batteries.** Exhaustive discharge will damage the battery cells. The most common cause of deep discharge is lengthy storage or non-use of partly discharged batteries. Stop working as soon as the performance of the battery falls noticeably or the electronic protection system triggers. Place the battery pack in storage only after it has been fully charged.
8. **Protect batteries and the tool from overloads.** Overloads will quickly result in overheating and cell damage inside the battery housing without this overheating actually being apparent externally.

9. **Avoid damage and shocks.** Replace batteries which have been dropped from a height of more than one meter or which have been exposed to violent shocks without delay, even if the housing of the battery pack appears to be undamaged. The battery cells inside the battery may have suffered serious damage. In this respect, please also read the waste disposal information.
10. If the battery pack suffers overloading and overheating, the integrated protective cut-off will switch off the equipment for safety reasons. Caution! Do not press the ON/OFF switch any more if the protective cut-off has actuated. This may damage the battery.
11. Use only original battery packs. The use of other batteries may result in injuries, explosion and a fire risk.
12. **Protect your rechargeable battery against moisture, rain and high humidity.** Moisture, rain and high humidity can cause dangerous cell damage. Never charge or work with batteries which have been exposed to moisture, rain or high humidity – replace them immediately.
13. If your equipment is fitted with a detachable battery, remove the battery for safety reasons after you have finished your work.

Information on chargers and the charging process

1. Please check the data marked on the rating plate of the battery charger. Be sure to connect the battery charger to a power supply with the voltage marked on the rating plate. Never connect it to a different mains voltage.
2. Protect the battery charger and its cable from damage and sharp edges. Have damaged cables repaired without delay by a qualified electrician.
3. Keep the battery charger, batteries and the cordless tool out of children's reach.
4. Do not use damaged battery chargers.
5. Do not use the supplied battery charger to charge other cordless tools.
6. In heavy use the battery pack will become warm. Allow the battery pack to cool to room temperature before commencing with the charging.
7. **Do not over-charge batteries.** Do not exceed the maximum charging times. These charging times apply only to discharged batteries. Frequent insertion of a charged or partly charged battery pack will result in overcharging and cell damage. Do not leave bat-

- teries in the charger for more than 48 hours.
8. **Never use or charge batteries if you suspect that the last time they were charged was more than 12 months previously.** There is a high probability that the battery pack has already suffered dangerous damage (exhaustive discharge).
 9. Charging batteries at a temperature below 50°F (10°C) will cause chemical damage to the cell and may cause a fire.
 10. Do not use batteries which have heated during the charging process, as the battery cells may have suffered dangerous damage.
 11. Do not use batteries which have suffered curvature or deformation during the charging process or which show other non-typical symptoms (gassing, hissing, cracking,...)
 12. Never fully discharge the battery pack (recommended depth of discharge max. 80%)
A complete discharge of the battery pack will lead to premature ageing of the battery cells.
 13. Never charge the batteries unsupervised.

Protection from environmental influences

1. Wear suitable work clothes. Wear safety goggles.
2. **Protect your cordless tool and the battery charger from moisture and rain.** Moisture and rain can cause dangerous cell damage.
3. Do not use the cordless tool or the battery charger near vapors and inflammable liquids.
4. Use the battery charger and cordless tools only in dry conditions and an ambient temperature of 50°F to 104°F (10°C to 40°C).
5. Do not keep the battery charger in places where the temperature is liable to reach over 104°F (40°C). In particular, do not leave the battery charger in a car that is parked in the sunshine.
6. **Protect batteries from overheating.** Overloads, over-charging and exposure to direct sunlight will result in overheating and cell damage. Never charge or work with batteries which have been overheated – replace them immediately if possible.
7. **Storage of batteries, battery chargers and cordless tools.** Store the charger and your cordless tool only in dry places with an ambient temperature of 50°F to 104°F (10°C to 40°C). Store the Lithium-Ion rechargeable battery in a cool and dry place at 50°F to 68°F (10°C to 20°C). Protect them from humidity and direct sunlight! Place only fully charged batteries in storage (charged at least 40%).
8. Prevent the Lithium-Ion battery pack from

freezing. Battery packs which were stored below 32°F (0°C) for more than 60 minutes must be disposed of.

9. When handling batteries beware of electrostatic charge: Electrostatic discharges cause damage of the electronic protection system and the battery cells. Avoid electrostatic charging and never touch the battery poles.

Battery Caution + Disposal

Disposal

Should your appliance need replacement after extended use, do not dispose of it with the household refuse, but in an environmentally safe way.



Waste produced by electrical machine items should not be handled like normal household rubbish. Please recycle where recycle facilities exist. Check with your local authority or retailer for recycling advice.

Always dispose of your battery pack according to federal, state, provincial and local regulations. Contact a recycling agency in your area for recycling locations.

⚠ CAUTION! Even discharged battery packs contain some energy. Before disposing, use electrical tape to cover the terminals to prevent the battery pack from shorting, which could cause a fire or explosion.

⚠ WARNING! To reduce the risk of injury or explosion, never burn or incinerate a battery pack even if it is damaged, dead, or completely discharged. When burned, toxic fumes and materials are emitted into the surrounding atmosphere.

1. Batteries vary according to device. Consult your manual for specific information.
2. Install only new batteries of the same type in your product (where applicable).
3. Failure to insert batteries in the correct polarity, as indicated in the battery compartment or manual, may shorten the life of the batteries or cause batteries to leak.
4. Do not mix old and new batteries.
5. Do not mix Alkaline, Standard (Carbon-Zinc), or Rechargeable (Nickel Cadmium, Nickel Metal Hydride, or Lithium-Ion) batteries.
6. Do not dispose of batteries in fire.
7. Batteries should be recycled or disposed of as per state, provincial and local guidelines.

When shipping or disposing of batteries and cordless tools, always ensure that they are packed individually in plastic bags to prevent

short circuits and fires.

Special safety instructions for cordless portable worksite table saws

1) Guarding related warnings

- a) **Keep guards in place. Guards must be in working order and be properly mounted.** *A guard that is loose, damaged, or is not functioning correctly must be repaired or replaced.*
- b) **Always use saw blade guard and the riving knife for every through-cutting operation.** *For through-cutting operations where the saw blade cuts completely through the thickness of the workpiece, the guard and other safety devices help reduce the risk of injury.*
- c) **Do not use this saw to make operations such as rabbeting, dadoing or resawing cuts.** *For design reasons, the saw is not suitable for such work. The guard and riving knife must never be removed, because it reduces the risk of injury.*
- d) **Make sure the saw blade is not contacting the guard, riving knife or the workpiece before the switch is turned on.** *Inadvertent contact of these items with the saw blade could cause a hazardous condition.*
- e) **Adjust the riving knife as described in this instruction manual.** *Incorrect spacing, positioning and alignment can make the riving knife ineffective in reducing the likelihood of kickback.*
- f) **For the riving knife to work, it must be engaged in the workpiece.** *The riving knife is ineffective when cutting workpieces that are too short to be engaged with the riving knife. Under these conditions a kickback cannot be prevented by the riving knife.*
- g) **Use the appropriate saw blade for the riving knife.** *For the riving knife to function properly, the saw blade diameter must match the appropriate riving knife and the body of the saw blade must be thinner than the thickness of the riving knife and the cutting width of the saw blade must be wider than the thickness of the riving knife.*

2) Cutting procedures warnings

- a) **DANGER: Never place your fingers or hands in the vicinity or in line with the saw blade.** *A moment of inattention or a slip could direct your hand towards the saw blade and result in serious personal injury.*
- b) **Feed the workpiece into the saw blade only against the direction of rotation.** *Feeding the workpiece in the same direction that the saw blade is rotating above the table may result in the workpiece, and your hand, being pulled into the saw blade.*
- c) **Never use the miter gauge to feed the workpiece when ripping and do not use the rip fence as a length stop when cross cutting with the miter gauge.** *Guiding the workpiece with the rip fence and the miter gauge at the same time increases the likelihood of saw blade binding and kickback.*
- d) **When ripping, always apply the workpiece feeding force between the fence and the saw blade. Use a push stick when the distance between the fence and the saw blade is less than 5.9" (150 mm), and use a push block when this distance is less than 1.9" (50 mm).** *"Work helping" devices will keep your hand at a safe distance from the saw blade.*
- e) **Use only the push stick provided by the manufacturer or constructed in accordance with the instructions.** *This push stick provides sufficient distance of the hand from the saw blade.*
- f) **Never use a damaged or cut push stick.** *A damaged push stick may break causing your hand to slip into the saw blade.*
- g) **Do not perform any operation "freehand". Always use either the rip fence or the miter gauge to position and guide the workpiece.** *"Freehand" means using your hands to support or guide the workpiece, instead of a rip fence or miter gauge. Freehand sawing leads to misalignment, binding and kickback.*
- h) **Never reach around or over a rotating saw blade.** *Reaching for a workpiece may lead to accidental contact with the moving saw blade.*
- i) **Provide auxiliary workpiece support to the rear and/or sides of the saw table for long and/or wide workpieces to keep them level.** *A long and/or wide workpiece has a tendency to pivot on the table's edge, causing loss of control, saw blade binding and kickback.*
- j) **Feed workpiece at an even pace. Do not bend or twist the workpiece. If jamming occurs, turn the tool off immediately, unplug the tool then clear the jam.** *Jamming the saw blade by the workpiece can cause kickback or stall the motor.*
- k) **Do not remove pieces of cut-off material**

while the saw is running. *The material may become trapped between the fence or inside the saw blade guard and the saw blade pulling your fingers into the saw blade. Turn the saw off and wait until the saw blade stops before removing material.*

- l) **Use an auxiliary fence in contact with the table top when ripping workpieces less than 0.079" (2 mm) thick.** *A thin workpiece may wedge under the rip fence and create a kickback.*
- m) **Avoid overheating of the saw blade and/or burn marks on the workpiece.** *Push the workpiece smoothly into the saw blade and do not stop during the cut.*

3) Kickback causes and related warnings

Kickback is a sudden reaction of the workpiece due to a pinched, jammed saw blade or misaligned line of cut in the workpiece with respect to the saw blade or when a part of the workpiece binds between the saw blade and the rip fence or other fixed object.

Most frequently during kickback, the workpiece is lifted from the table by the rear portion of the saw blade and is propelled towards the operator.

Kickback is the result of saw misuse and/or incorrect operating procedures or conditions and can be avoided by taking proper precautions as given below.

- a) **Never stand directly in line with the saw blade. Always position your body on the same side of the saw blade as the fence.** *Kickback may propel the workpiece at high velocity towards anyone standing in front and in line with the saw blade.*
- b) **Never reach over or in back of the saw blade to pull or to support the workpiece.** *Accidental contact with the saw blade may occur or kickback may drag your fingers into the saw blade.*
- c) **Never hold and press the workpiece that is being cut off against the rotating saw blade.** *Pressing the workpiece being cut off against the saw blade will create a binding condition and kickback.*
- d) **Align the fence to be parallel with the saw blade.** *A misaligned fence will pinch the workpiece against the saw blade and create kickback.*
- e) **Do not use this saw to make operations such as rabbeting, dadoing or resawing cuts.** *For design reasons, the saw is not suitable for such work. The guard and riving knife must never be removed, because it reduces*

the risk of injury.

- f) **Use extra caution when making a cut into blind areas of assembled workpieces.** *The protruding saw blade may cut objects that can cause kickback.*
 - g) **Support large panels to minimise the risk of saw blade pinching and kickback.** *Large panels tend to sag under their own weight. Support(s) must be placed under all portions of the panel overhanging the table top.*
 - h) **Do not work on any workpiece that is twisted, knotted, warped or does not have a straight edge to guide it with a miter gauge or along the fence.** *A warped, knotted, or twisted workpiece is unstable and causes misalignment of the kerf with the saw blade, binding and kickback.*
 - i) **Never cut more than one workpiece, stacked vertically or horizontally.** *The saw blade could pick up one or more pieces and cause kickback.*
 - j) **Do not start the saw if the saw blade is in the workpiece.** *If the saw blade binds, it may lift up the workpiece and cause kickback when the saw is restarted.*
 - k) **Keep saw blades clean, sharp, and with sufficient set. Never use warped saw blades or saw blades with cracked or broken teeth.** *Sharp and properly set saw blades minimise binding, stalling and kickback.*
- ### 4) Table saw operating procedure warnings
- a) **Turn off the table saw and disconnect battery when removing the table insert, changing the saw blade or making adjustments to the riving knife or saw blade guard, and when the machine is left unattended.** *Precautionary measures will avoid accidents.*
 - b) **Never leave the table saw running unattended. Turn it off and don't leave the tool until it comes to a complete stop.** *An unattended running saw is an uncontrolled hazard.*
 - c) **Locate the table saw in a well-lit and level area where you can maintain good footing and balance. It should be installed in an area that provides enough room to easily handle the size of your workpiece.** *Cramped, dark areas, and uneven slippery floors invite accidents.*
 - d) **Frequently clean and remove sawdust from under the saw table and/or the dust collection device.** *Accumulated sawdust is combustible and may self-ignite.*

- e) **The table saw must be secured.** *A table saw that is not properly secured may move or tip over.*
- f) **Remove tools, wood scraps, etc. from the table before the table saw is turned on.** *Distraction or a potential jam can be dangerous.*
- g) **Always use saw blades with correct size and shape (diamond versus round) of arbor holes.** *Saw blades that do not match the mounting hardware of the saw will run off-centre, causing loss of control.*
- h) **Never use damaged or incorrect saw blade mounting means such as flanges, saw blade washers, bolts or nuts.** *These mounting means were specially designed for your saw, for safe operation and optimum performance.*
- i) **Never stand on the table saw, do not use it as a stepping stool.** *Serious injury could occur if the tool is tipped or if the cutting tool is accidentally contacted.*
- j) **Make sure that the saw blade is installed to rotate in the proper direction. Do not use grinding wheels, wire brushes, or abrasive wheels on a table saw.** *Improper saw blade installation or use of accessories not recommended may cause serious injury.*
- 5) Additional safety information**
1. Only use a saw blade which has the external diameter and hole diameter specified in the original operating instructions ("Technical data" section).
 2. Use only blades with rotating speeds which are equal to or higher than the rotating speed marked on the power tool.
 3. Use only a saw blade with a diameter which is the same as specified on the saw.
 4. Use the correct saw blade for the material you are working on.
 5. Use only saw blades which are recommended by the manufacturer which, if they are intended for cutting wood or similar materials, comply with EN 847-1.
 6. Only fit blades which are well sharpened and have no cracks or deformations.
 7. Faulty saw blades must be replaced immediately.
 8. It must be possible for the blade to run freely.
 9. Check the saw blade guard for damage and wear each time before using the saw.
 10. The saw blade guard must lower again automatically under its own weight after each cut. The saw blade guard must lift when the workpiece is pushed in the direction of the saw blade.
 11. Damaged or faulty safety devices have to be replaced immediately.
 12. It is imperative to make sure that all devices which cover the saw blade are in good working order.
 13. Never dismantle the machine's safety devices or render them inoperative.
 14. Refit all guards and safety devices immediately after you have completed any repairs or maintenance work.
 15. Keep the push stick or handle for a push block at the machine at all times, even when you are not using them. Slot the push stick or the push block into its holder when not in use.
 16. The sawing of angles/wedges is only permitted if an appropriate auxiliary stop (cross stop) is used.
 17. If the table insert is worn, replace it. – Pull out the battery.
 18. If necessary, wear suitable personal protection equipment. This could consist of:
 - a. Ear plugs to prevent the risk of damaging your hearing.
 - b. A breathing mask to avoid the risk of inhaling hazardous dust.
 - c. Always wear gloves when handling saw blades and rough materials. Whenever practicable, saw blades must be carried in a container.
 19. Use only the transport devices to move the equipment. Never use the guards for handling or moving the equipment.
 20. While you are moving the machine it is best to cover the top part of the blade, e.g. with the guard.
 21. Give these safety instructions to all persons who work on the machine.
 22. Do not use this saw to cut fire wood.
 23. Do not use this saw to cross-cut round wood.
 24. The machine is equipped with a safety switch to prevent it from being switched on again accidentally after a power failure.
 25. Never load the machine so much that it cuts out.
 26. Always press the workpiece firmly against the saw table.
 27. Make sure that off-cuts do not catch on the saw blade crown. Risk of catapulting!
 28. Be sure to observe the safety information and operating and maintenance instructions issued by the manufacturer, as well as the dimensions listed in the Technical Data.
 29. It is imperative to observe the accident pre-

vention regulations in force in your area as well as all other generally recognized rules of safety.

30. Note the information published by your professional associations.
31. Operators must be at least 18 years of age.
32. Never remove loose splinters, chips or jammed pieces of wood when the saw blade is running.
33. To rectify faults or remove jammed pieces of wood, always switch off the machine first. – Pull out the battery.
34. Persons working on the machine should not be distracted.
35. Keep your workplace clean of wood scrap and any unnecessary objects.
36. Before you use the machine for the first time, check that the voltage marked on the rating plate is the same as your supply voltage.
37. Operate the saw only with a suitable vacuum extraction system or a standard industrial vacuum cleaner.
38. Keep unused electric tools out of the reach of children. Do not allow people who are not familiar with the tool or who have not read these instructions to use the tool. Electric tools are dangerous if they are used by inexperienced people.
39. Keep your cutting tools sharp and clean. Carefully maintained cutting tools with sharp cutting edges will jam less and are easier to control.
40. Have your tool repaired only by trained personnel using only genuine spare parts. This will ensure that your tool remains safe to use.
41. All covers and safety devices have to be properly fitted before the equipment is switched on.
42. When working with wood that has been processed before, watch out for foreign bodies such as nails or screws etc.
43. Before you actuate the On/Off switch, make sure that the saw blade is correctly fitted and that the equipment's moving parts run smoothly.
44. Keep handles dry, clean and free from oil and grease.

SAVE THESE INSTRUCTIONS

2. Layout and items supplied

2.1 Layout

1. Saw table
2. Saw blade guard
3. Push stick
4. Blade
5. Riving knife
6. Table insert
7. Complete rip fence
8. Hand wheel
9. Locking lever for saw blade angle
10. Extension table
11. On/Off switch
12. Eccentric lever for rip fence
13. Rotary disk in table insert
14. Miter gauge
15. Screw for saw blade
16. Extractor adapter
17. Recessed head screw
18. Hole in riving knife
19. Fastening screw
20. Fastening plate
21. Slot in saw table
22. Main scale
23. Stop rail
24. Additional scale
25. Slot in stop rail
26. Knurled screw for rip fence
27. Washer for rip fence
28. Lock bolt for rip fence
29. Guide rail for rip fence
30. 10/13 mm ring wrench
31. 10/21 mm ring wrench
32. Adjustment screw (0°)
33. Adjustment screw (45°)
34. Stop rail for cross stop
35. Knurled screw for miter gauge
36. Locking screw for miter gauge
37. Dust collector
38. Cap on saw blade guard
39. Battery (not supplied)
40. Mount for battery
41. Emergency stop switch cover
42. Clamping lever for table width extension
43. Threaded sleeve
44. Nut
45. Suction hose (not included)
46. Adapter (not included)
47. Battery capacity indicator
48. Battery capacity indicator button

2.2 Items supplied

Please check that the article is complete as specified in the scope of delivery. If parts are missing, please contact our service center or the store where you made your purchase at the latest within 5 work days after purchasing the article and upon presentation of a valid bill of purchase.

- Open the packaging and take out the equipment with care.
- Remove the packaging material and any packaging and/or transportation braces (if present).
- Check to see if all the items are supplied.
- Inspect the equipment and accessories for transport damage.
- If possible, keep the packaging until the end of the guarantee period.

Danger!

The equipment and packaging material are not toys. Do not let children play with plastic bags, plastic sheets and small parts. There is a risk of choking and suffocating!

- Cordless worksite table saw
- Saw blade guard
- Push stick
- Riving knife
- Complete rip fence
- Miter gauge
- Extractor adapter
- 10/13 mm ring wrench
- 10/21 mm ring wrench
- Original operating instruction with safety information

Separately available accessories

18V 1.5Ah PXC Lithium-Ion battery
 18V 2.0Ah PXC Lithium-Ion battery
 18V 2.5Ah PXC Lithium-Ion battery
 18V 3.0Ah PXC Lithium-Ion battery
 18V 4.0Ah PXC Lithium-Ion battery
 18V 3.0Ah PXC Plus Lithium-Ion battery
 18V 4.0Ah PXC Plus Lithium-Ion battery
 18V 5.2Ah PXC Plus Lithium-Ion battery
 18V 4.0Ah/6.0Ah PXC Plus Lithium-Ion battery
 18V 5.0Ah/8.0Ah PXC Plus Lithium-Ion battery
 18V PXC Dual Port Fast Charger
 18V PXC Fast Charger

Contact your local retailer for more specific models of batteries and charger available in your area. You can also explore battery + charger options at Einhell.com.

3. Intended use

The cordless worksite table saw is designed for the ripping and cross-cutting (only with the miter gauge) of all types of timber commensurate with the machine's size. The equipment is not to be used for cutting any type of round wood.

The equipment is allowed to be used only for its prescribed purpose. Any other use is deemed to be a case of misuse. The user/operator and not the manufacturer will be liable for any damage or injuries of any kind resulting from such misuse.

Please note that our equipment has not been designed for use in commercial, trade or industrial applications. Our warranty will be voided if the equipment is used in commercial, trade or industrial businesses or for equivalent purposes.

To use the equipment properly you must also observe the safety information, the assembly instructions and the operating instructions to be found in this manual.


All persons who use and service the equipment have to be acquainted with these operating instructions and must be informed about the equipment's potential hazards. It is also imperative to observe the accident prevention regulations in force in your area. The same applies for the general rules of health and safety at work.

The manufacturer will not be liable for any changes made to the equipment nor for any damage resulting from such changes. Even when the equipment is used as prescribed it is still impossible to eliminate certain residual risk factors.

The following hazards may arise in connection with the machine's construction and design:

- Contact with the saw blade in the uncovered saw zone.
- Reaching into the running saw blade (cut injuries).
- Kick-back of workpieces and parts of workpieces.
- Saw blade fracturing.
- Catapulting of faulty carbide tips from the saw blade.
- Damage to hearing if essential ear-muffs are not used.
- Harmful emissions of wood dust when used in closed rooms.

4. Technical data

Motor power supply:	36 V 
Idle speed n_0 :	3800 RPM (min ⁻¹)
Carbide saw blade:	
.....	$\varnothing 8\text{-}\frac{1}{4}\text{"} \times \frac{5}{8}\text{"} \times 0.071\text{"}$ ($\varnothing 210 \times 16 \times 1.8$ mm)
Number of teeth:	40
Cutting height max.	$2\text{-}\frac{3}{4}\text{"}$ (70 mm) / 90°
.....	$1\text{-}\frac{3}{4}\text{"}$ (45 mm) / 45°
Max. thickness of saw blade body:	
.....	0.047" (1.2 mm)
Height adjustment max.	$2\text{-}\frac{3}{4}\text{"}$ (70 mm)
Tilting saw blade max.	45°
Cross stop angle	-60° to +60°
Extractor connection	$\varnothing 1\text{-}\frac{3}{8}\text{"}$ ($\varnothing 36$ mm)
Thickness of the splitter	$\frac{1}{16}\text{"}$ (1.6 mm)
Weight (Tool only):	28.6 lbs (13 kg)

This machine is equipped with a special precision cut saw blade (cutting width 0.071" (1.8 mm)). If you use a different saw blade with a larger cutting width, this could result in loss of performance.

Wear ear-muffs.

The impact of noise can cause damage to hearing.

Reduce noise generation and vibration to a minimum!

- Use only equipment that is in perfect condition.
- Maintain and clean the equipment regularly.
- Adapt your way of working to the equipment.
- Do not overload the equipment.
- Have the equipment checked if necessary.
- Switch off the equipment when not in use.

CAUTION!

Residual risks

Even if you use this electric power tool in accordance with the instructions, certain residual risks cannot be eliminated. The following hazards may arise in connection with the equipment's construction and layout:

1. Lung damage if no suitable protective dust mask is used.
2. Damage to hearing if no suitable ear protection is applied.

Limit the operating time.

All stages of the operating cycle must be considered (for example, times in which the electric tools are switched off and times in which the tool is switched on but operates without load).

5. Before starting the equipment

Warning!

Always remove the battery before making adjustments to the equipment.

- Unpack the bench-type table saw and check it for damage which may have occurred in transit.
- The machine has to be set up where it can stand firmly, e.g. on a work bench, or it must be bolted to a strong base.
- All covers and safety devices have to be properly fitted before the machine is switched on.
- It must be possible for the saw blade to run freely.
- When working with wood that has been processed before, watch out for foreign bodies such as nails or screws etc.
- Before you actuate the On/Off switch, make sure that the saw blade is correctly fitted and that the machine's moving parts run smoothly.

6. Assembly

Danger! Remove the rechargeable battery before carrying out any maintenance, resetting or assembly work on the table saw.

6.1 Standing the bench-type table saw upright (Fig. 4-6)

- Fit the extractor adapter (16) at the back of the machine. To do so, undo and remove the recessed head screw (17) and push the extractor adapter (16) onto the dust collector (37). Secure the extractor adapter (16) and dust collector (37) with the recessed head screw (17).
- Important! The two ring wrenches (30, 31) can be stowed away on the side of the lower saw blade cover (see Fig. 4). Keep the two ring wrenches close to hand for fitting the table insert (6) and riving knife (5).

6.2 Fitting/changing the table insert (Fig. 7-8)

- To prevent increased likelihood of injury, the table insert should be changed whenever it is worn or damaged.
- Take off the saw blade guard (2) (see 6.4).
- Place the 10 mm side of one of the two ring wrenches (30/31) on the rotary disk (13). Turn the disk (13) counterclockwise with the ring wrench to release the table insert.
- Take out the worn table insert (6).
- Fit the replacement table insert by following the above in reverse.

6.3 Fitting/replacing the riving knife (Fig. 9-13)

- **Danger!** Remove the rechargeable battery from the equipment!
- Remove the saw blade guard (2) and the table insert (6) (see 6.4, 6.2).
- Using the hand wheel (8) set the blade (4) to max. cutting depth, move to 0° position and lock in place.
- Slacken the fastening screw (19) until the gap between the fastening plate (20) and the support surface opposite is approx. $\frac{3}{16}$ " (5 mm). **Caution!** Do not completely undo the fastening plate (20).
- Insert the riving knife (5) in the gap, push it right down as far as it goes and then secure it with the fastening screw (19). Make sure that the riving knife has been fitted straight and not wobbly.
- The riving knife (5) must be positioned in the center along an imaginary line extending behind the saw blade (4), so that it is not possible for the material to get jammed.
- The gap between the blade (4) and the riving knife (5) should be $\frac{3}{32}$ " to $\frac{5}{16}$ " (3 - 8 mm). (Fig. 12).
- Refit the table insert (6) and the saw blade guard (2) (see 6.2, 6.4)

6.4 Fitting/changing the saw blade guard (Fig. 14)

- Mount the saw blade guard (2) on the riving knife (5) so that the screw fits through the hole (18) in the riving knife.
- Then insert the screw on the saw blade guard (2) through the hole (18) and tighten it.
- **Important!** The maximum depth that the screw can be screwed in has been preset at the factory, so that the saw blade guard (2) is always able to move freely.
- **Warning!** The saw blade guard (2) must always lower to the workpiece automatically under its own weight.

6.5 Fitting/changing the saw blade (Fig. 15)

- Before changing the saw blade: Remove the rechargeable battery from the equipment!
- Wear work gloves to prevent injury when changing the saw blade.
- Using the hand wheel (8), set the saw blade (4) to the maximum cutting depth.
- Remove the saw blade guard, table insert and riving knife (see 6.4, 6.2, 6.3).
- Undo the screw (15) with a wrench (30) on the screw (15) itself and a second wrench (31) on the motor shaft to apply counter-pressure.
- **Caution!** Turn the screw (15) in the direction of rotation of the saw blade.
- Take off the outer flange and pull the old saw blade (4) off the inner flange.
- Clean the blade flange thoroughly before fitting the new blade.
- Fit and fasten the new saw blade (4) in reverse order.
- **Important!** Note the running direction. The cutting angle of the teeth must point in running direction, i.e. forwards (see the arrow on the blade guard).
- Refit and set the riving knife, table insert and saw blade (see 6.3, 6.2, 6.4).
- Check to make sure that all safety devices are properly mounted and in good working condition before you begin working with the saw again.
- **Warning!** Every time that you change the saw blade, check that the saw blade guard (2) opens and closes again in accordance with requirements. Also check that the saw blade (4) spins freely in the saw blade guard (2).
- **Warning!** Every time that you change the saw blade (4), check to see that it spins freely in the table insert (6) in both perpendicular and 45° angle settings.
- **Warning!** You should replace the table insert (6) immediately whenever it is worn or damaged (see 6.2).
- **Warning!** The work to change and align the saw blade (4) must be carried out correctly.

6.6 Putting away loose parts (Fig. 4)

When not in use, the miter gauge (14), push stick (3) and the two wrenches (30/31) can be secured as shown in Fig. 2.

6.7 Connection for dust extractor (Fig. 16-19)

A connection for a dust extractor is provided on the extractor adapter on the housing (16) and on the saw blade guard (2).

6.8 Dust extraction using a wet & dry vacuum (Fig. 16)

- A wet & dry vacuum is not supplied with the product and is available as an accessory.
- Connect the wet & dry vacuum to the extractor adapter on the housing (16).

6.9 Dust extraction using a vacuum extraction system and extractor adapter set (Fig. 17-19)

- The product is not supplied with an extractor adapter set with suction hose (45) and adapter (46) or a vacuum extraction system, which are available as accessories.
- Using a Philips screwdriver, undo the screw on the cap (38) on the saw blade guard (2).
- Remove the cap (38) from the saw blade guard (2).
- Connect the adapter (46) to the extractor adapter on the housing (16).
- Connect the saw blade guard (2) and the adapter (46) to the suction hose (45).
- A vacuum extraction system can now be connected to the 4" (100 mm) diameter of the adapter (46).

7. Operation

7.1 On/Off switch (Fig. 20 / Item 11)

- To turn the saw on, press the green button "I". Wait for the blade to reach its maximum speed of rotation before starting the cut.
- The red stop button "0" is covered by the emergency stop switch cover (41). To switch off the saw, press the emergency stop switch cover (41).

7.2 Cutting depth (Fig. 21-22)

Turn the hand wheel (8) to set the blade (4) to the required cutting depth.

Turn anti-clockwise:

smaller cutting depth

Turn clockwise:

larger cutting depth

7.3 Rip Fence

The rip fence (7) has to be used when making longitudinal cuts in wooden workpieces.

7.4 Stop height (Fig. 23-24)

- The rip fence (7) which is supplied with the product must be used together with the stop

rail (23) when performing longitudinal cuts on thin materials (see Fig. 23).

- To fasten the stop rail (23) to the rip fence (7) you have to slacken the two knurled screws (26). Then thread the stop rail (23) with the slot (25) onto the lock bolts (28) and secure it with the washers (27) and knurled screws (26).
- The rip fence (7) has to be used without the stop rail (23) when making longitudinal cuts in thicker wooden workpieces (see Fig. 24). To do this, the lock bolts (28), washers (27) and the knurled screws (26) must also be removed.
- Warning! When in use, the stop rail (23) must always be screwed to the side of the rip fence (7) which faces the saw blade.

7.5 Cutting width (Fig. 25-27)

- The rip fence (7) can be mounted on either side of the saw table (1).
- The rip fence (7) has to be mounted in the guide rail (29) of the saw table (1).
- You can clamp the rip fence (7) in the required position by pressing the eccentric lever (12).

When the table width extension (10) is retracted and/or for cutting widths of less than 10":

- Using the main scale (22) on the guide rail (29), adjust the rip fence (7) to the required dimension.

When the table width extension (10) is extended and/or for cutting widths of more than 10":

- Using the main scale (22), adjust the rip fence (7) to the 10" measurement and secure it with the eccentric lever (12).
- To then increase the cutting width, adjust the rest of the cutting width by pulling out the table width extension (10) (see 7.9).
- Read off the total cutting width setting which has been set on the additional scale (24). Important! To ensure that the cutting dimension on the additional scale (24) is correct, the rip fence (7) must be set to the defined dimension of 10" on the main scale (22).

We do not recommend using the stop rail (23) for cutting width of more than 10".

7.6 Setting the stop length (Fig. 28)

- The stop rail (23) can be moved in longitudinal direction in order to prevent the workpiece from becoming jammed.
- Rule of thumb: The rear end of the stop comes up against an imaginary line that begins roughly at the center of the blade and runs at an angle of 45° to the rear.
- Set the required cutting width
 - Slacken the knurled screws (26) and push the stop rail (23) forward until it touches the imaginary 45° line.
 - Retighten the knurled screws (26).

7.7 Miter gauge (Fig. 29)

The miter gauge (14) has to be used when making cross cuts in wooden workpieces.

- Slide the miter gauge (14) into the slot (21) of the saw table.
- Undo the locking screw (36).
- Turn the stop rail (34) until the arrow points to the angle required.
- Re-tighten the fastening screw (36).
- Check the gap between the stop rail (34) and the saw blade (4).
- Warning! Do not push the stop rail (34) too far toward the blade. The distance between the stop rail (34) and the blade (4) should be approx. $\frac{1}{16}$ " (2 cm).
- If necessary, slacken the two knurled screws (35) and adjust the stop rail (34).
- Retighten the knurled screws (35).

7.8 Setting the angle (Fig. 21-22)

- Slacken the locking lever (9) (see Fig. 23).
- To adjust the angle of the saw blade, push the hand wheel (8) until the pointer is aligned with the desired angular setting on the angle scale.
- Secure the angle by tightening the locking lever (9) (see Fig. 22).
- If needed, the end stop for adjusting the angle of the saw blade can be readjusted for 0° and 45°. To do this, adjust the two adjustment screws (32) and (33).

7.9 Adjusting the table width extension (Fig. 30-31)

- The table width extension (10) on the saw table (1) can be pulled out to the right.
- The clamping lever (42) must point away from the table saw to enable the table width extension (10) to be moved (see Fig. 30).
- To lock the table width extension (10) in a certain position, the clamping lever (42) must

point towards the machine (see Fig. 31).

- If the rip fence is used when the table width extension (10) is extended, the rip fence (7) must be set to the dimension of 10" on the main scale (22).
- Danger! If the rip fence (7) is not secured properly, this may cause a kickback.
- Warning! Whenever the table width extension is extended, in particular, always make sure that the workpiece lies safely on the saw table and cannot become jammed.
- The clamping force of the clamping lever (42) can be readjusted if necessary. To do so, slacken the nut (44) and screw the threaded sleeve (43) out or in as far as required until the desired clamping force is reached. Then secure the threaded sleeve (43) again with the nut (44).

7.10 Charging the Lithium-Ion battery (not included)

The corresponding instructions can be found in the original operating instructions for your charger.

7.11 Battery capacity indicator (Fig. 42 / item 47)

Press the battery capacity indicator switch (48). The battery capacity indicator (47) shows the charge status of the battery using 3 LEDs.

All 3 LEDs lit:

The battery is fully charged.

2 or 1 LED(s) lit:

The battery has an adequate remaining charge.

1 LED flashing:

The battery is empty, recharge the battery.

All LEDs flashing:

The temperature of the battery is too low. Remove the battery from the device and leave it at room temperature for a day. If the error occurs again, this means that the battery has been completely depth-discharged and is defective. Remove the battery from the device. Never use or charge a defective battery.

8. Operation

Warning!

- After every new adjustment we recommend you to make a trial cut in order to check the new settings.
- After switching on the saw, wait for the blade to reach its maximum speed of rotation before commencing with the cut.
- Take extra care when starting the cut!
- Never use the equipment without the suction function.
- Regularly check and clean the suction channels.

8.1 Making longitudinal cuts (Figure 34-35)

Longitudinal cutting (also known as ripping) is when you use the saw to cut along the grain of the wood. Press one edge of the workpiece against the rip fence (7) while the flat side lies on the saw table (1). The blade guard (2) must always be lowered over the workpiece.

When you make a longitudinal cut, never adopt a working position that is in line with the cutting direction.

- Set the rip fence (7) in accordance with the workpiece height and the desired width. (See 7.3.)
- Switch on the saw.
- Place your hands (with fingers closed) flat on the workpiece and push the workpiece along the rip fence (7) and into the blade (4).
- Guide at the side with your left or right hand (depending on the position of the rip fence) only as far as the front edge of the blade guard.
- Always push the workpiece through to the end of the riving knife (5).
- The offcut piece remains on the saw table (1) until the blade (4) is back in its position of rest.
- Secure long workpieces against falling off at the end of the cut (e.g. with a roller stand etc.).

8.2 Cutting narrow workpieces (Fig. 36)

Be sure to use a push stick (3) when making longitudinal cuts in workpieces smaller than 5.9" (150 mm) in width. A push block is supplied with the saw! Replace a worn or damaged push stick immediately.

8.3 Cutting extremely narrow workpieces (Fig. 37)

- Be sure to use a push block when making longitudinal cuts in very narrow workpieces with a width of 2" (50 mm) and less.
- The low guide face of the rip fence is best used in this case.
- A push block is not supplied with the saw! Replace a worn or damaged push block immediately.

8.4 Making bevel cuts (Fig. 38)

Bevel cuts must always be used using the rip fence (7).

If you tilt the saw blade (4) to the left when making angular cuts, position the rip fence (7) on the right-hand side of the saw blade (4). Guide the workpiece between the saw blade (4) and the rip fence (7).

- Set the blade (4) to the desired angle. (See 7.8.)
- Set the rip fence (7) in accordance with the workpiece width and height (see 7.3)
- Carry out the cut in accordance with the workpiece width (see 8.2., 8.3.)

8.5 Making cross cuts (Fig. 39-40)

- Slide the miter gauge (14) into one of the grooves (21) in the table and adjust to the required angle. (See 7.7.)
- Press the workpiece firmly against the miter gauge (14).
- Switch on the saw.
- Push the miter gauge (14) and the workpiece toward the blade in order to make the cut.
- **Warning!**
Always hold the guided part of the workpiece. Never hold the part which is to be cut off.
- Push the miter gauge (14) forward until the workpiece is cut all the way through.
- Switch off the saw again. Do not remove the offcut until the blade has stopped rotating.

9. Cleaning and maintenance

HAZARD!

Always take the battery out of the equipment before starting any cleaning work.

Take out the rechargeable battery each time before carrying out any adjustments, maintenance or repairs.

9.1 Cleaning

- Keep all safety devices, air vents and the motor housing free of dirt and dust as far as possible. Wipe the equipment with a clean cloth or blow it down with compressed air at low pressure.
- We recommend cleaning the equipment immediately each time after use.
- Clean the equipment regularly with a damp cloth and some soft soap. Do not use cleaning agents or solvents; these may be aggressive to the plastic parts in the equipment. Ensure that no water can get into the interior of the equipment. The ingress of water into an electric power tool increases the risk of an electric shock.
- Regularly clean the dust collector (37). To do so, undo the recessed head screw (17) and pull the dust collector (37) out at the back of the machine (Fig. 41). Carefully clean the dust collector (37) and fit it securely back on the circular saw in reverse order.

9.2 Maintenance

There are no other parts inside the equipment which require maintenance.

10. Disposal and recycling

The equipment is supplied in packaging to prevent it from being damaged in transit. The raw materials in this packaging can be reused or recycled. The equipment and its accessories are made of various types of material, such as metal and plastic. Never place defective equipment in your household refuse. The equipment should be taken to a suitable collection center for proper disposal. If you do not know the whereabouts of such a collection point, you should ask in your local council offices.

11. Storage

Store the equipment and its accessories out of children's reach in a dark and dry place at above freezing temperature. The ideal storage temperature is between 41°F and 86°F (5°C and 30°C). Keep the electric tool in its original packaging.

The reprinting or reproduction by any other means, in whole or in part, of documentation and papers accompanying the products is strictly subject to the express consent of Einhell Germany AG.

Subject to technical changes.



Danger! - Lire le mode d'emploi pour diminuer le risque de blessures.



Attention ! Portez une protection auditive. Le bruit peut provoquer une perte d'acuité auditive.



Attention ! Portez un masque anti-poussières. Des poussières nocives peuvent être générées lors des travaux avec le bois et autres matériaux. Ne travaillez pas avec un matériau contenant de l'amiante !



Attention ! Portez des lunettes de protection. Les étincelles créées pendant le travail ou les éclats, les copeaux et les poussières sortant de l'appareil peuvent entraîner la perte de la vue.



Conservez les batteries uniquement dans des locaux secs et à une température ambiante de 50-104 °F (+10-+40 °C). Conservez les batteries uniquement en état chargé (au moins 40 % de charge).



Mise en garde! Risque de blessure ! Ne mettez pas vos doigts dans la lame en rotation.



Tournez le disque avec la clé de réglage jointe dans le sens antihoraire pour desserrer l'insertion de table. Tournez le disque dans le sens horaire pour que l'insertion de table ne tombe pas.

Danger !

Certaines mesures de sécurité doivent être respectées pendant l'utilisation des appareils pour empêcher les blessures et les dommages. Par conséquent, lisez attentivement le présent mode d'emploi / les consignes de sécurité. Conservez-les bien pour avoir les informations toujours à la portée de la main. Si vous devez passer l'appareil à d'autres personnes, veuillez leur remettre également le présent mode d'emploi / les consignes de sécurité. Nous ne sommes pas tenus des accidents ou dommages survenus à cause de non-respect du présent mode d'emploi et des consignes de sécurité.

1. Consignes de sécurité**Danger !**

Lisez toutes les consignes de sécurité et instructions. Le non-respect des consignes de sécurité et des instructions peut causer une électrocution, un incendie et / ou de graves blessures. **Conservez toutes les consignes de sécurité et instructions pour l'avenir.**

Consignes générales de sécurité pour les outils électriques

Le terme « outil électrique » utilisé dans les consignes de sécurité se réfère à des outils électriques alimentés par le secteur (avec câble d'alimentation) et à des outils électriques alimentés par la batterie (sans câble d'alimentation).

1. Sécurité du lieu de travail

- a) **Maintenez votre espace de travail propre et bien éclairé.** *Le désordre ou les espaces de travail non éclairés peuvent provoquer des accidents.*
- b) **Ne travaillez pas avec l'outil électrique dans une atmosphère explosible contenant des liquides, des gaz ou des poussières combustibles.** *Les appareils électriques génèrent des étincelles pouvant enflammer la poussière ou les vapeurs.*
- c) **Tenez à distance les enfants et autres personnes lors de l'utilisation de l'appareil électrique.** *En cas de distraction, vous pouvez perdre le contrôle de l'appareil.*

2. Sécurité électrique

- a) **La fiche de raccordement de l'appareil électrique doit être adaptée à la prise. La fiche ne doit être modifiée en aucune façon. N'utilisez pas de fiche d'adaptateur avec les outils électriques mis à la terre.** *Les fiches non modifiées et les prises adaptées diminuent le risque d'une électrocution.*
 - b) **Évitez le contact physique avec les surfaces mises à la terre, comme celles de conduits, des chauffages, des cuisinières et des réfrigérateurs.** *Il existe un risque élevé d'électrocution lorsque votre corps est mis à la terre.*
 - c) **Gardez les appareils électriques à l'abri de la pluie ou de l'humidité.** *La pénétration de l'eau dans un appareil électrique augmente le risque d'une électrocution.*
 - d) **Ne détournez pas le câble de sa fonction pour porter ou pour accrocher l'appareil électrique ou pour retirer la fiche de la prise. Gardez le câble à l'abri de la chaleur, de l'huile, des bords coupants ou des éléments mobiles de l'appareil.** *Les câbles endommagés ou enchevêtrés augmentent le risque d'une électrocution.*
 - e) **Si vous travaillez avec un appareil électrique dehors, utilisez uniquement une rallonge adaptée à l'usage à l'extérieur.** *L'utilisation d'une rallonge adaptée à l'usage à l'extérieur diminue le risque d'une électrocution.*
 - f) **Si l'appareil électrique doit être utilisé dans un environnement humide, utilisez un Disjoncteur de fuite à la terre.** *L'utilisation d'un disjoncteur de fuite à la terre diminue le risque d'une électrocution.*
- 3. Sécurité des personnes**
- a) **Soyez attentif, prenez garde à ce que vous faites et soyez raisonnable en travaillant avec un outil électrique. N'utilisez pas un appareil électrique si vous êtes fatigué ou si vous vous trouvez sous l'effet de drogues, d'alcool ou de médicaments.** *Un instant d'inattention lors de l'utilisation de l'appareil électrique peut entraîner de graves blessures.*
 - b) **Utilisez l'équipement de protection individuelle. Porter toujours une protection des yeux.** *L'équipement de protection, tel que le masque anti-poussière, les chaussures de sécurité antidérapantes, le casque protecteur ou la protection auditive utilisés dans des conditions appropriées, permet de réduire les*

- dommages corporels.*
- c) **Évitez tout démarrage non intentionnel. S'assurer que le bouton marche-arrêt est en position Arrêt (Off) avant de connecter la source de courant et/ou la BATTERIE, de prendre et de transporter l'outil.** *Transporter des outils électriques avec votre doigt sur le bouton marche-arrêt ou mettre sous tension des outils électriques dont le bouton marche-arrêt est position Marche (On) peut causer des accidents.*
- d) **Avant d'allumer l'outil électrique, retirez les outils de réglage ou les clés.** *Un outil ou une clé se trouvant dans un élément tournant de la machine peut entraîner des blessures.*
- e) **Évitez une posture anormale. Ayez un appui stable et gardez l'équilibre en permanence.** *Vous pouvez ainsi mieux contrôler l'outil électrique dans des situations imprévues.*
- f) **Portez des vêtements appropriés. Ne portez pas de vêtements amples ni de bijoux. Gardez les cheveux, les vêtements et les gants à distance des éléments mobiles.** *Des vêtements amples, bijoux ou longs cheveux peuvent être happés par les éléments mobiles.*
- g) **Si des dispositifs d'aspiration ou de récupération des poussières peuvent être montés, assurez-vous qu'ils sont connectés et peuvent être utilisés correctement.** *L'utilisation d'une aspiration des poussières peut diminuer les risques causés par la poussière.*
- h) **La familiarité acquise par l'utilisation fréquente des outils ne doit pas laisser place à la complaisance et à l'ignorance des principes de sécurité de l'outil.** *Une action imprudente peut causer de graves blessures en une fraction de seconde.*
- 4. Utilisation et traitement de l'outil électrique**
- a) **Ne surchargez pas l'appareil.** *Utilisez l'outil électrique adapté à votre application. Vous travaillez mieux et de manière plus sûre avec un outil électrique approprié dans la gamme de puissance indiquée.*
- b) **N'utilisez pas un outil électrique avec un interrupteur défectueux.** *Un outil électrique qui ne peut plus être allumé ou éteint est dangereux et doit être réparé.*
- c) **Débranchez la fiche de la source électrique et / ou retirez la batterie de l'outil électrique, si elle est amovible, avant de procéder à des ajustements, remplacer des accessoires ou ranger les outils électriques.** *De telles mesures préventives réduisent le risque de démarrage accidentel de l'outil électrique.*
- d) **Conservez les outils électriques non utilisés hors la portée des enfants. Ne permettez pas aux personnes qui ne sont pas familiarisées avec cet appareil ou qui n'ont pas lu ces instructions de l'utiliser.** *Les outils électriques sont dangereux lorsqu'ils sont utilisés par des personnes inexpérimentées.*
- e) **Entretenez les outils électriques et les accessoires. Vérifiez la dérive d'alignement ou l'attache des pièces mobiles, la rupture des pièces et s'assurer qu'aucun autre problème peut affecter le bon fonctionnement de l'outil électrique. Faire réparer l'outil endommagé avant l'utilisation.** *De nombreux accidents sont dus au mauvais entretien des outils électriques.*
- f) **Maintenez vos outils de coupe aiguisés et propres.** *Les outils de coupe aux bords tranchants bien soignés se coincent moins et sont plus aisés à guider.*
- g) **Utilisez l'outil électrique, les accessoires, les outils utilisés, etc. conformément au présent mode d'emploi. Tenez compte des conditions de travail et de l'activité à réaliser.** *L'utilisation des outils électriques pour des usages autres que prévus peut entraîner des situations dangereuses.*
- h) **Gardez les poignées et les surfaces de prise sèches, propres et exemptes d'huile et de graisse.** *Les poignées et surfaces de prise glissantes ne permettent pas d'effectuer une manipulation et un contrôle de l'outil en toute sécurité dans des situations imprévues.*
- 5. Utilisation et traitement de l'outil sans fil**
- a) **Chargez les batteries uniquement dans les chargeurs recommandés par le fabricant.** *L'utilisation d'un chargeur pour des batteries non appropriées présente un risque d'incendie.*
- b) **Utilisez dans les outils électriques uniquement les batteries prévues à cet effet.** *L'utilisation d'autres batteries peut entraîner des blessures et le risque d'incendie.*
- c) **Conservez la batterie non utilisée à distance des trombones, pièces de monnaie, clés, clous, vis ou autres menus objets**

en métal susceptibles de provoquer un pontage des contacts. *Un court-circuit entre les contacts de la batterie peut entraîner des brûlures ou le feu.*

- d) **En cas d'utilisation incorrecte, un liquide peut s'échapper de la batterie. Ne le touchez pas. Rincez à l'eau en cas de contact fortuit. Si le liquide entre en contact avec les yeux, consultez également le médecin.** *Le liquide s'échappant de la batterie peut causer des irritations cutanées ou des brûlures.*
- e) **Ne pas utiliser une BATTERIE ou un outil endommagé(e) ou modifié(e).** *Les batteries endommagées ou modifiées peuvent agir de manière imprévisible et donner lieu à un incendie, une EXPLOSION ou un risque de blessure.*
- f) **Ne pas exposer une BATTERIE ou un outil au feu ou à une température excessive.** *Une exposition au feu ou à une température supérieure à 266°F (130°C) peut causer une explosion.*
- g) **Suivre toutes les instructions de charge et ne pas charger la BATTERIE ou l'outil en dehors de la gamme de température spécifiée dans les instructions.** *Un mauvais chargement ou un chargement à des températures en dehors de la gamme spécifiée peut endommager la BATTERIE et augmenter les risques d'incendie.*
- 6. Service**
- a) **Faites réparer votre outil électrique uniquement par des spécialistes qualifiés et uniquement avec des pièces de rechange d'origine.** *Cela garantit le maintien de la sécurité de l'outil électrique.*
- b) **Ne jamais entretenir des BATTERIES endommagées.** *L'entretien des BATTERIES doit être effectué uniquement par le fabricant ou par des prestataires de service autorisés.*

Consignes spécifiques de sécurité

Nous construisons chaque batterie avec le plus grand soin possible pour pouvoir vous transmettre les batteries avec la densité énergétique, la durabilité et la sécurité maximales. Les cellules de batterie sont munies de dispositifs de sécurité de plusieurs niveaux. Chaque cellule individuelle est d'abord formatée, et leurs courbes caractéristiques sont enregistrées. Ensuite, ces données sont utilisées pour pouvoir regrouper les meilleures batteries possible.

Malgré toutes les mesures de sécurité, il

faut toujours être prudent en maniant les batteries. Les points suivants doivent être impérativement respectés pour assurer le fonctionnement sûr.

Le fonctionnement sûr n'est possible qu'avec des cellules intactes ! Une manipulation incorrecte endommage les cellules.

Attention ! Des analyses confirment que l'utilisation gravement inappropriée et des soins incorrects constituent la cause principale des dommages dus aux batteries haute performance.

Consignes concernant les batteries

1. La batterie de l'appareil sans fil n'est pas chargée à la livraison. Par conséquent, la batterie doit être chargée avant la première mise en service.
2. Évitez des cycles de décharge à plat pour garantir la performance maximale de la batterie ! Chargez souvent votre batterie.
3. Conservez votre batterie au frais, au mieux à 59 °F (+15 °C), et chargée d'au moins à 40%.
4. Les batteries Lithium-Ion sont sujettes au vieillissement naturel. La batterie doit être remplacée au plus tard lorsque la capacité de la batterie ne correspond plus qu'à 80 % de l'état neuf. Les cellules affaiblies dans une batterie vieillie ne tiennent plus la tête aux exigences élevées en terme de performance et présentent ainsi un risque de sécurité.
5. Ne jetez pas les batteries usées dans le feu ouvert. Risque d'explosion !
6. Ne pas allumer la batterie et ne pas l'exposer à la combustion.
7. **Ne pas décharger complètement la batterie !** La décharge complète endommage les cellules de la batterie. La cause la plus fréquente de la décharge complète de la batterie constitue un stockage ou non-utilisation prolongés des batteries à moitié chargées. Terminez l'opération dès que la puissance diminue visiblement ou la protection électronique réagit. Ne conservez la batterie que complètement chargée.
8. **Protéger les batteries et l'appareil contre la surcharge !** Une surcharge provoque rapidement la surchauffe et l'endommagement des cellules à l'intérieur du boîtier de batterie, sans que cela puisse se voir de l'extérieur.
9. **Évitez les détériorations et les chocs !** Remplacez sur-le-champ les batteries ayant chuté d'une hauteur de plus d'un mètre ou ayant été exposées à des coups violents,

même si le boîtier de la batterie semble intact. Les cellules de la batterie peuvent être sérieusement endommagées à l'intérieur. Respectez à cet égard également les consignes d'élimination.

10. En cas de surcharge et de surchauffe, le circuit de protection intégré éteint l'appareil pour des raisons de sécurité.

Attention ! N'actionnez plus l'interrupteur marche / arrêt lorsque le circuit de protection a éteint l'appareil. Cela peut endommager la batterie.

11. N'utilisez que des batteries d'origine. L'utilisation d'autres batteries peut entraîner des blessures, une explosion et le risque d'incendie.
12. **Protégez votre batterie de l'humidité, de la pluie et de l'humidité de l'air élevée.** L'humidité, la pluie et l'humidité de l'air élevée peuvent endommager dangereusement les cellules. En aucun cas, ne chargez ni ne travaillez avec la batterie qui a été exposée à l'humidité, à la pluie ou à l'humidité de l'air élevée – remplacez-les immédiatement !
13. Si votre appareil est équipé d'une batterie amovible, retirez-la de votre appareil à la fin de votre travail pour des raisons de sécurité.

Consignes concernant le chargeur et la charge

1. Tenez compte des informations indiquées sur la plaque signalétique du chargeur. Raccordez le chargeur uniquement à la tension d'alimentation indiquée sur la plaque signalétique.
2. Protégez le chargeur et le fil contre l'endommagement et les bords coupants. Les câbles endommagés doivent être immédiatement remplacés par un électricien.
3. Protéger le chargeur, les batteries et l'appareil sans fil contre les enfants.
4. Ne pas utiliser des chargeurs endommagés.
5. N'utilisez pas le chargeur fourni pour charger d'autres appareils sans fil.
6. En cas de forte sollicitation, la batterie se réchauffe. Laissez refroidir la batterie à la température ambiante avant le chargement.
7. **Ne pas surcharger les batteries !** Respectez les durées maximales du chargement. Ces durées de chargement s'appliquent uniquement aux batteries déchargées. Le branchement répété d'une batterie chargée ou partiellement chargée entraîne la surcharge et l'endommagement des cellules. Ne pas laisser les batteries insérées dans le char-

geur pendant plus que 48 heures.

8. **N'utilisez ni chargez pas les batteries que vous supposez avoir été chargées pour la dernière fois depuis plus de 12 mois.** Il est hautement probable que la batterie est déjà dangereusement endommagée (déchargement complet).
9. Un chargement à une température inférieure à 50 °F (10 °C) entraîne une détérioration chimique de la cellule et peut provoquer un incendie.
10. N'utilisez pas de batteries qui se sont réchauffées pendant le chargement, car les cellules de la batterie pourraient être dangereusement endommagées.
11. N'utilisez plus les batteries qui se sont bombées ou déformées pendant le chargement ou qui présentent des symptômes inhabituels (dégazage, sifflement, grésillement, ...).
12. Ne déchargez pas complètement la batterie (déchargement maximal recommandé max. 80 %). Le déchargement complet entraîne un vieillissement précoce des cellules de la batterie.
13. Ne charger jamais les batteries sans surveillance !

Protection contre l'impact environnemental

1. Portez des vêtements de travail appropriés. Porter des lunettes de protection.
2. **Protégez votre appareil sans fil et le chargeur contre l'humidité et la pluie.** L'humidité et la pluie peuvent entraîner des endommagements dangereux des cellules.
3. Ne pas utiliser l'appareil sans fil et le chargeur dans un espace contenant des vapeurs et des liquides combustibles.
4. Utilisez le chargeur et les appareils sans fil uniquement en état sec et à une température ambiante de 50-104 °F (10-40 °C).
5. Ne conservez pas la batterie dans des endroits où la température peut être supérieure à 104 °F (40 °C), en particulier dans un véhicule garé au soleil.
6. **Protégez les batteries contre la surchauffe !** Une surcharge, un chargement excessif ou le rayonnement solaire entraînent la surchauffe et détériorent les cellules. Ne chargez ni travaillez en aucun cas avec les batteries qui ont été surchauffées, remplacez-les sans tarder.
7. **Conservation des batteries, des chargeurs et de l'appareil sans fil.** Conservez le chargeur et votre appareil sans fil uniquement dans des locaux secs à une tem-

pérature ambiante de 50-104 °F (10-40 °C). Conservez la batterie Lithium-Ion au frais et au sec à 50-68 °F (10-20 °C). Protégez contre l'humidité de l'air et le rayonnement solaire direct ! Conservez les batteries uniquement en état chargé (au moins 40 % de charge).

8. Empêchez que la batterie Lithium-Ion gèle. Les batteries qui ont été conservées plus de 60 minutes au-dessous de 32 °F (0 °C) doivent être éliminées.
9. Attention lors de la manipulation des batteries en rapport avec la charge électrostatique : les décharges électrostatiques endommagent la protection électronique et les cellules de la batterie ! Par conséquent, évitez les décharges électrostatiques et ne touchez jamais les pôles de la batterie !

Mise en garde concernant les batteries et informations sur leur élimination

Élimination

Si votre outil doit être remplacé après une période d'utilisation prolongée, ne le jetez pas avec les ordures ménagères, mais éliminez-le d'une manière respectueuse pour l'environnement.



Les déchets produits par les éléments d'un outil ou d'une machine électrique ne doivent pas être traités comme des déchets ménagers. Veuillez les recycler dans les installations prévues à cet effet.

Pour obtenir des conseils sur le recyclage, communiquez avec les services publics locaux ou avec votre revendeur.

Éliminez toujours les batteries en vous conformant aux réglementations fédérales, provinciales ou territoriales et locales. Communiquez avec un organisme de recyclage de votre région pour obtenir la liste des sites de recyclage.

⚠ MISE EN GARDE! Même déchargée, une batterie emmagasine une certaine énergie. Avant de l'éliminer, utilisez du ruban isolant pour couvrir les bornes et empêcher ainsi la batterie de provoquer un court-circuit, ce qui pourrait causer un incendie ou une explosion.

⚠ AVERTISSEMENT! Pour réduire le risque de blessure ou d'explosion, ne jamais brûler ou incinérer une batterie, même si elle est endommagée, à plat ou complètement déchargée. En brûlant, des vapeurs et des matières toxiques sont émises dans l'atmosphère environnante.

1. Les batteries varient selon le type d'outils ou

de machines. Consulter le manuel pour des renseignements spécifiques.

2. Le cas échéant, insérez uniquement des batteries neuves de même type dans l'outil ou la machine.
3. Si, en l'insérant, la polarité de la batterie n'est pas respectée, comme indiqué dans le compartiment à batterie ou dans le manuel, sa durée de vie pourrait être réduite ou elle pourrait fuir.
4. Ne pas mélanger des batteries anciennes et des neuves.
5. Ne pas mélanger des batteries alcalines, standard (carbone/zinc) ou rechargeables (au nickel-cadmium, au nickel-métal-hydrure ou au lithium-ion).
6. Ne jeter aucune batterie au feu. Les cellules de batterie peuvent exploser.
7. Les batteries doivent être recyclées ou éliminées en observant les directives provinciales ou territoriales et locales.

Pour expédier ou éliminer les batteries ou l'appareil sans fil, veillez à ce qu'ils soient emballés individuellement dans un sac en plastique pour empêcher les courts-circuits ou les incendies !

Consignes de sécurité spéciales pour scie de chantier portable sans fil

- 1) **Consignes de sécurité concernant le garde de sécurité**
 - a) **Laissez les gardes de sécurité montés. Les gardes de sécurité doivent être montés correctement et être en état de fonctionner.** Les gardes de sécurité non serrés, endommagés ou ne fonctionnant pas correctement doivent être réparés ou remplacés.
 - b) **Pour les coupes, utilisez toujours le garde de sécurité de lame de scie et la lame à fendre.** Pour les coupes, pour lesquelles la lame de scie complètement l'épaisseur de la pièce, le garde de sécurité et d'autres dispositifs de sécurité réduisent le risque de blessures.
 - c) **N'utilisez pas la scie pour feuiller et rainurer.** En raison de sa conception, la scie n'est pas adaptée pour cela. La lame à fendre ne doit pas être démonté car elle empêche le coincement et le recul.
 - d) **Assurez-vous avant la mise en marche de l'outil que la lame de scie ne touche pas le garde de sécurité, la lame à fendre ou la pièce.** Un contact accidentel de ces com-

- posants avec la lame de scie peut provoquer une situation dangereuse.
- e) **Ajustez la lame à fendre conformément à la description dans le présent mode d'emploi.** Une distance, une position et une orientation incorrectes peuvent être la raison pour laquelle la lame à fendre n'empêche pas efficacement le recul.
- f) **Pour que la lame à fendre puisse fonctionner, il doit être engagé dans la pièce.** Dans le cas de coupes dans des pièces qui sont trop courtes pour permettre la mise en prise avec la lame à fendre, la lame à fendre est inefficace. Dans ces conditions, la lame à fendre ne peut pas empêcher un recul.
- g) **Utilisez une lame de scie adaptée à la lame à fendre.** Pour que la lame à fendre fonctionne correctement, le diamètre de la lame de scie doit être adapté la lame à fendre correspondante, le tronc de la lame de scie doit être plus mince que la lame à fendre et la largeur des dents doit être supérieure à l'épaisseur de la lame à fendre.
- 2) Consignes de sécurité pour le procédé de sciage**
- a) **DANGER : N'approchez pas vos doigts et mains de la lame de scie ou de la zone de la scie.** Un moment d'inattention ou une glissade pourrait faire dévier votre main vers la lame de scie et entraîner des blessures graves.
- b) **Alimentez la pièce uniquement dans le sens opposé au sens de rotation de la lame de scie ou de l'outil de coupe.** Alimentez la pièce dans la même direction que le sens de rotation de la lame de scie au-dessus de la table peut faire en sorte que la pièce et votre main soient entraînées dans la lame de scie.
- c) **N'utilisez jamais le guide à onglets pour alimenter la pièce dans le cas de coupes longitudinales et, dans le cas de coupes transversales avec le guide à onglets, n'utilisez jamais le guide à refendre en sus pour le réglage de la longueur.** Un guidage simultané de la pièce avec le guide à refendre et le guide à onglets augmente la probabilité que la lame de scie coince et qu'il y ait un recul.
- d) **Pour les coupes longitudinales, exercez la force d'alimentation sur la pièce toujours entre le rail de butée et la lame de scie. Utilisez un poussoir lorsque la distance entre le rail de butée et la lame de scie est inférieure à 5,9" (150 mm), et un bloc coulissant lorsque la distance est inférieure à 1,9" (50 mm).** De tels outils de travail font en sorte que votre main reste à une distance sûre de la lame de scie.
- e) **Utilisez uniquement le poussoir fourni par le fabricant ou un poussoir qui a été fabriqué conformément aux instructions.** Le poussoir assure une distance suffisante entre la main et la lame de scie.
- f) **N'utilisez jamais un poussoir inadapté ou endommagé.** Un poussoir endommagé peut se casser et amener votre main dans la lame de scie.
- g) **Ne travaillez pas « main libre ». Utilisez toujours le guide à refendre ou le guide à onglets pour appliquer et guider la pièce.** « Main libre » signifie soutenir ou guider la pièce avec les mains et non avec le guide à refendre ou le guide à onglets. Un sciage main libre entraîne une mauvaise orientation, un coincement et un recul.
- h) **Ne mettez jamais vos doigts autour ou au-dessus d'une lame de scie en rotation.** Saisir une pièce peut conduire à un contact involontaire avec la lame de scie en rotation.
- i) **Soutenez les pièces longues et/ou larges derrière et/ou sur le côté de la table de sciage, de sorte qu'elles restent à l'horizontale.** Les pièces longues et/ou larges ont tendance à s'abaisser au bord de la table de sciage ; cela entraîne la perte de contrôle, le coincement de la lame de scie et le recul.
- j) **Alimentez la pièce de façon régulière. Ne tordez ni ne déformez la pièce. Si la lame de scie se coince, éteignez immédiatement l'outil électrique, débranchez la fiche de contact et éliminez l'origine du coincement.** Le coincement de la lame de scie par la pièce peut entraîner le recul ou le blocage du moteur.
- k) **Ne retirez pas le matériau scié pendant le fonctionnement de la scie.** Le matériau scié peut s'accrocher entre la lame de scie et le rail de butée ou dans le garde de sécurité et lors du retrait entraîner vos doigts dans la lame de scie. Éteignez la scie et attendez que la lame de scie soit à l'arrêt avant de retirer le matériau.
- l) **Utilisez pour les coupes longitudinales sur des pièces qui ont moins de 0,079" (2 mm) d'épaisseur, un guide à refendre supplémentaire qui est en contact avec la surface de la table.** Les pièces minces

peuvent s'accrocher sous le guide à refendre et entraîner un recul.

- m) **Évitez une surchauffe de la lame de scie ou les traces de brûlure sur la pièce à scier.** Poussez la pièce à scier de façon uniforme dans la lame de scie et ne vous arrêtez pas pendant la coupe.

3) Recul - Origines et consignes de sécurité correspondantes

Le recul est la réaction soudaine de la pièce suite à une lame de scie qui s'accroche, se coince ou d'une coupe en biais par rapport à la lame de scie dans la pièce ou lorsqu'une partie de la pièce est coincée entre la lame de scie et le guide à refendre ou un autre objet fixe. Dans la plupart des cas, lors d'un recul, la pièce est happée par la partie arrière de la lame de scie, soulevée par la table de sciage et projetée en direction de l'opérateur. Un recul est la conséquence d'une utilisation mauvaise ou incorrecte de la scie de chantier. On l'évite en prenant les mesures de précaution adaptées, comme décrit ci-après.

- a) **Ne jamais se tenir directement en ligne avec la lame de scie. Tenez-vous toujours sur le côté de la lame de scie, sur lequel se trouve le rail de butée.** Lors d'un recul, la pièce peut être projetée à grande vitesse vers des personnes qui se trouvent devant ou en ligne avec la lame de scie.
- b) **Ne mettez jamais vos doigts au-dessus ou derrière la lame de scie pour tirer ou soutenir la pièce.** Il peut y avoir un contact involontaire avec la lame de scie ou un recul peut faire en sorte que vos doigts soient entraînés dans la lame de scie.
- c) **Ne maintenez et ne poussez jamais la pièce, laquelle est sciée, contre la lame de scie en rotation.** Pousser la pièce qui est sciée contre la lame de scie entraîne un coincement et un recul.
- d) **Orientez le rail du guide à refendre à la lame de scie.** Un rail de butée non orienté pousse la pièce contre la lame de scie et génère un recul.
- e) **N'utilisez pas la scie pour feuiller et rainurer.** En raison de sa conception, la scie n'est pas adaptée pour cela. La lame à fendre ne doit pas être démonté car il empêche le coincement et le recul.
- f) **Faites particulièrement attention lors du sciage de zones non visibles de pièces assemblées.** La lame de scie plongeante peut scier des objets qui peuvent provoquer

un recul.

- g) **Soutenez les grands panneaux afin de réduire le risque de recul dû au coincement de la lame de scie.** Les grands panneaux peuvent fléchir sous leur propre poids. Les panneaux doivent être soutenus partout où elles dépassent de la surface de la table.
- h) **N'usinez aucune pièce déformée, noueuse, gauchie ou ne disposant pas d'une arête droite au niveau de laquelle elle peut être guidée avec le guide à onglets ou le long le rail de butée.** Une pièce gauchie, noueuse ou déformée est instable et entraîne une mauvaise orientation du trait de scie avec la lame de scie, un coincement et un recul.
- i) **Ne sciez jamais plusieurs pièces empilées l'une au-dessus de l'autre ou l'une derrière l'autre.** La lame de scie peut happer une ou plusieurs pièces et provoquer un recul.
- j) **Ne démarrez pas la scie, lorsque la lame de scie est coincée dans la pièce.** Si la lame de scie coince, elle peut soulever la pièce et provoquer un recul au redémarrage de la scie.
- k) **Maintenez les lames de scie propres, aiguisées et suffisamment avoyées. N'utilisez jamais des lames de scie gauchies ou des lames de scie avec des dents fissurées ou cassées.** Les lames de scie aiguisées et correctement avoyées minimisent le coincement, le blocage et le recul.
- ### 4) Consignes de sécurité pour la commande de scies de chantier
- a) **Éteignez la scie de chantier et débranchez-la avant d'enlever l'insertion de table, de remplacer la lame de scie, de procéder à des réglages au niveau de la lame à fendre ou du garde de sécurité de lame de scie et lorsque la machine est laissée sans surveillance.** Les mesures de précautions servent à éviter les accidents.
- b) **Ne laissez jamais la scie de chantier tourner sans surveillance. Éteignez l'outil électrique et ne vous éloignez pas avant son arrêt complet.** Une scie fonctionnant sans surveillance constitue un risque incontrôlé.
- c) **Installez la scie de chantier à un endroit plat et bien éclairé et où vous pouvez adopter une position stable et un bon équilibre. Le lieu d'installation doit offrir**

assez de place pour permettre une bonne manipulation de la taille de vos pièces.

Une zone de travail désordonnée et mal éclairée et un sol irrégulier et glissant peuvent être source d'accidents.

- d) **Retirez régulièrement les copeaux et sciures de bois sous la table de sciage et/ou de l'aspiration de poussière.** La sciure accumulée est combustible et peut s'enflammer spontanément.
- e) **Sécurisez la scie de chantier.** Une scie de chantier mal sécurisée peut bouger et basculer.
- f) **Retirez les outils de réglage, résidus de bois, etc. de la scie de chantier, avant de la mettre en marche.** Une inattention ou de possibles coincements peuvent être dangereux.
- g) **Utilisez toujours des lames de scie de la bonne taille et forme (par ex. rhomboïdal ou rond).** Les lames de scie non adaptées aux pièces de montage de la scie fonctionnent de manière irrégulière et entraînent une perte de contrôle.
- h) **N'utilisez jamais un matériel de montage de la lame de scie endommagé ou inadapté, par ex. brides, rondelles, vis ou écrous.** Ce matériel de montage de la lame de scie a été spécialement conçu pour votre scie pour un fonctionnement sûr et une performance optimale.
- i) **Ne montez jamais sur la scie de chantier et ne l'utilisez pas comme marchepied.** Cela peut entraîner des blessures graves lorsque l'outil électrique bascule ou lorsque vous entrez en contact accidentel avec la lame de scie.
- j) **Assurez-vous que la lame de scie est montée dans le bon sens de rotation. N'utilisez pas de disques abrasifs ou brosses métalliques avec la scie de chantier.** Un montage incorrect de la lame de scie ou l'utilisation d'accessoires non recommandés peut entraîner des blessures graves.
- 5) Consignes de sécurité supplémentaires**
1. Utilisez uniquement une lame de scie avec les diamètres extérieurs et un arbre définis dans le mode d'emploi d'origine (paragraphe Caractéristiques techniques).
 2. Utilisez uniquement des lames de scie caractérisées par une vitesse de rotation supérieure ou égale à celle indiquée sur l'outil électrique.
 3. Utilisez uniquement une lame de scie avec un diamètre correspondant aux indications sur la scie.
 4. Utilisez la bonne lame de scie pour le matériau à usiner.
 5. Utilisez uniquement les lames de scie recommandées par le fabricant, qui sont conformes à la norme EN 847-1 si elles sont prévues pour couper le bois ou des matériaux similaires.
 6. Installez que des lames de scie aiguisées, sans fissures et non déformées.
 7. Les lames de scie défectueuses doivent être remplacées sans délai.
 8. La lame de scie doit pouvoir tourner sans obstacle.
 9. Vérifiez avant chaque utilisation de la scie que le garde de sécurité n'est pas endommagée ou usée.
 10. Le garde de sécurité doit descendre automatiquement sous son propre poids après chaque opération de sciage. Le garde de sécurité doit se soulever, lorsque la pièce est poussée en direction de la lame de scie.
 11. Les dispositifs de protection endommagés ou défectueux doivent être échangés sans délai.
 12. Il faut s'assurer que tous les dispositifs qui recouvrent la lame de scie fonctionnent parfaitement.
 13. Les dispositifs de sécurité sur la machine ne doivent pas être démontés, ni être rendus inutilisables.
 14. Tous les dispositifs de protection et de sécurité doivent être immédiatement remontés une fois la réparation ou la maintenance terminée.
 15. Le poussoir ou une poignée pour un bloc poussoir doit toujours être conservé sur la machine lorsqu'il n'est pas utilisé. Insérez le poussoir ou le bloc poussoir dans son support en cas de non utilisation.
 16. Découper des biais/cales est uniquement autorisé avec une butée auxiliaire (butée transversale) correspondante.
 17. Remplacez l'insertion de table usé.
 18. Si nécessaire, portez un équipement de protection individuelle adéquat. Ceux-ci peuvent être:
 - a. une protection de l'ouïe permettant de réduire le risque de surdit ;
 - b. une protection des voies respiratoires afin de réduire le risque d'inhalation de poussières dangereuses.
 - c. Portez des gants lorsque vous manipulez les lames de scie et des matériaux r ches. Il faut toujours que les lames soient portées dans un r cipient d s que cela est possible.

19. Lors du transport de la machine, utilisez uniquement les dispositifs de transport et n'utilisez jamais les gardes de sécurité pour la manutention et le transport.
20. Pendant que vous déplacez la machine, il est préférable de couvrir la partie supérieure de la lame, par exemple, avec le garde.
21. Transmettez les consignes de sécurité à toute personne travaillant sur la machine.
22. N'utilisez pas la scie pour scier du bois à brûler.
23. Ne sciez pas transversalement le bois rond.
24. La machine est équipée d'un interrupteur de sécurité contre une remise en marche après une chute de tension.
25. Ne chargez pas la machine au point qu'elle s'arrête.
26. Appuyez toujours bien la pièce à usiner contre la table de travail.
27. Veillez à ce que les pièces de bois découpées ne soient pas saisies et expulsées par la couronne dentée de la lame de scie.
28. Il faut respecter les consignes de sécurité, de travail et de maintenance du fabricant tout comme les cotes indiquées dans les caractéristiques techniques.
29. Les prescriptions de prévention des accidents pertinentes et autres règles de la technique de sécurité généralement reconnues doivent être respectées.
30. Notez les informations publiées par vos associations professionnelles.
31. La personne opératrice doit avoir au moins 18 ans.
32. Ne retirez jamais les éclats, copeaux ou morceaux de bois coincés de la lame de scie encore en fonctionnement.
33. Pour éliminer les dérangements ou retirer des pièces de bois coincées, mettez la machine en arrêt.
34. Il ne faut pas détourner l'attention des personnes travaillant sur la machine.
35. Maintenez votre lieu de travail exempt de déchets de bois et de pièces éparpillées.
36. Avant la mise en service, vérifiez si la tension indiquée sur la plaque signalétique de l'appareil correspond à la tension du courant disponible.
37. Utilisez la scie uniquement avec une installation d'aspiration appropriée ou avec un aspirateur industriel.
38. Conservez les outils électriques hors de portée des enfants. Empêchez les personnes qui ne connaissent pas l'appareil ainsi que celles qui n'ont pas lu ces instructions d'utiliser celui-ci. Les outils électriques sont dangereux lorsqu'ils sont utilisés par des personnes inexpérimentées.
39. Gardez vos outils de coupe propres et aiguisés. Un outil de coupe soigneusement entretenu dont les arêtes de coupe sont vives coince moins souvent et est plus facile à guider.
40. Faites réparer votre appareil uniquement par un personnel spécialisé qualifié et uniquement en utilisant des pièces de rechange d'origine. Cela permet de conserver la sûreté de l'appareil.
41. Avant la mise en service, tous les gardes et dispositifs de sécurité doivent être montés correctement.
42. Si le bois a déjà été travaillé, faites attention aux corps étrangers comme par exemple les clous ou les vis.
43. Avant d'actionner l'interrupteur marche/arrêt, assurez-vous que la lame de scie est correctement montée et que les pièces mobiles le sont sans obstacle.
44. Maintenez les poignées sèches, propres et exemptes d'huile et de graisse.

CONSERVEZ CES INSTRUCTIONS

2. Description de l'appareil et contenu de l'emballage

2.1 Description de l'appareil

1. Table de sciage
2. Garde de sécurité
3. Poussoir
4. Lame de scie
5. Lame à fendre
6. Insertion de table
7. Guide à refendre, complet
8. Manivelle
9. Levier de blocage pour angle de lame de scie
10. Table d'extension
11. Interrupteur marche/arrêt
12. Levier excentrique pour guide à refendre
13. Disque rotatif dans l'insertion de table
14. Guide à onglets
15. Vis pour lame de scie
16. Adaptateur d'aspiration
17. Vis cruciforme
18. Trou dans la lame à fendre
19. Vis de fixation
20. Plaque de fixation
21. Rainure dans la table de sciage

- 22. Graduation principale
- 23. Rail de butée
- 24. Graduation supplémentaire
- 25. Rainure dans rail de butée
- 26. Vis moletée pour guide à refendre
- 27. Rondelle pour guide à refendre
- 28. Boulon à collet carré pour guide à refendre
- 29. Rail de guidage guide à refendre
- 30. Clé polygonale 10/13 mm
- 31. Clé polygonale 10/21 mm
- 32. Vis d'ajustement 0°
- 33. Vis d'ajustement 45°
- 34. Rail du guide pour guide à onglets
- 35. Vis moletée pour guide à onglets
- 36. Vis de fixation guide à onglets
- 37. Collecteur de poussière
- 38. Capot du garde de sécurité
- 39. Batterie (non compris dans la livraison)
- 40. Logement pour batterie
- 41. Couvercle de l'interrupteur d'arrêt d'urgence
- 42. Levier de serrage pour élargissement de table
- 43. Douille fileté
- 44. Écrou
- 45. Tuyau d'aspiration (non inclus)
- 46. Adaptateur (non inclus)
- 47. Témoin de charge de la batterie
- 48. Bouton de témoin de charge de la batterie

2.2 Contenu d'emballage

Veillez contrôler l'intégralité de l'article au moyen du contenu d'emballage décrit. En cas de pièces manquantes, veuillez contacter notre centre de service à la clientèle ou le point de vente où vous avez acheté l'appareil au plus tard dans les 5 jours ouvrables à compter de l'achat de l'article en présentant un ticket de caisse valable.

- Ouvrez l'emballage et retirez prudemment l'appareil.
- Enlevez le matériau d'emballage ainsi que les sécurités d'emballage et de transport (le cas échéant).
- Vérifiez l'intégralité du contenu d'emballage.
- Vérifiez si l'appareil et les accessoires présentent des dommages dus au transport.
- Si possible, conservez l'emballage jusqu'à l'expiration de la durée de garantie.

Danger !

L'appareil et le matériau d'emballage ne sont pas un jouet ! Les enfants ne doivent pas jouer avec des sachets en plastique, des films ou de petites pièces ! Il existe le risque d'ingestion et de suffocation !

- Scie de chantier portable sans fil

- Garde de sécurité
- Poussoir
- Lame à fendre
- Guide à refendre, complet
- Guide à onglets
- Adaptateur d'aspiration
- Clé polygonale 10/13 mm
- Clé polygonale 10/21 mm
- Mode d'emploi d'origine avec consignes de sécurité

Accessoires disponibles séparément

- 18V 1,5Ah PXC batterie Lithium-Ion
- 18V 2,0Ah PXC batterie Lithium-Ion
- 18V 2,5Ah PXC batterie Lithium-Ion
- 18V 3,0Ah PXC batterie Lithium-Ion
- 18V 4,0Ah PXC batterie Lithium-Ion
- 18V 3,0Ah PXC Plus batterie Lithium-Ion
- 18V 4,0Ah PXC Plus batterie Lithium-Ion
- 18V 5,2Ah PXC Plus batterie Lithium-Ion
- 18V 4,0Ah/6,0Ah PXC Plus batterie Lithium-Ion
- 18V 5,0Ah/8,0Ah PXC Plus batterie Lithium-Ion
- 18V PXC chargeur rapide à double raccord
- 18V PXC chargeur rapide

Contactez votre détaillant pour les modèles plus spécifiques de batteries et de chargeurs disponibles dans votre région. Vous pouvez également explorer les options de batterie + chargeur sur Einhell.com.

3. Utilisation conforme

La scie de chantier portable sans fil sert à scier en longueur et transversalement (uniquement avec guide à onglets) des bois de tous genres en fonction de la taille de la machine. Les bois ronds de tous genres ne doivent pas être découpés.

La machine ne doit être utilisée que conformément à sa destination. Toute autre utilisation dépassant ce cadre n'est pas conforme. C'est l'utilisateur / l'opérateur qui est responsable de tous les dommages ou blessures de toute nature en résultant et non pas le fabricant.

Veillez noter que nos appareils n'ont pas été conçus pour une utilisation commerciale, artisanale ou industrielle. Nous n'accordons aucune garantie si l'appareil est utilisé dans des entreprises commerciales, artisanales ou industrielles ou pour des activités équivalentes. Le respect des consignes de sécurité, des inst-


ructions de montage et des consignes de service dans le mode d'emploi sont aussi partie intégrante de l'utilisation conforme.

Les personnes utilisant la machine et en effectuant la maintenance doivent la connaître et avoir été instruites sur les différents risques possibles. En outre, il faut strictement respecter les règlements de prévoyance contre les accidents. Il faut respecter toutes les autres règles des domaines de la médecine du travail et de la technique de sécurité.

Toute modification de la machine entraîne l'annulation de la responsabilité du fabricant, aussi pour les dommages en découlant. Malgré l'emploi conforme, certains facteurs de risque résiduels ne peuvent être complètement supprimés. En raison de la construction et de la conception de la machine, les risques suivants peuvent apparaître :

- Contact avec la lame de scie dans la zone de la scie n'étant pas recouverte.
- Toucher la lame de scie en fonctionnement (blessure coupante).
- Retour de pièces à usiner et de parties de celles-ci.
- Ruptures de lame de scie.
- Expulsion de pièces de métal dures défectueuses de la lame de scie.
- Lésions de l'ouïe si vous n'employez pas la protection auditive nécessaire.
- Émissions nocives de poussière de bois en cas d'emploi de la scie dans des pièces fermées.

4. Caractéristiques techniques

Alimentation électrique du moteur:36 V 
 Vitesse de rotation à vide n_0 : 3800 TR/MIN
 Lame de scie en métal dur :
 Ø 210 x 16 x 1,8 mm (ø 8-1/4" x 5/8" x 0,071")
 Nombre de dents : 40
 Hauteur de coupe max. 70 mm (2-3/4") / 90°
 45 mm (1-3/4") / 45°
 Épaisseur corps de lame de scie max.:
 1,2 mm (0,047")
 Réglage de la hauteur max. 70 mm (2-3/4")
 Lame de scie pivotable max.45°
 Angles- Guide à onglets..... -60° à +60°
 Raccord d'aspiration Ø 36 mm (1-3/8")
 Épaisseur de la lame à fendre 1,6 mm (1/16")
 Poids (outil seulement):.....28,6 lb (13 kg)

Cette machine est dotée d'une lame de scie pour coupe fine spéciale (largeur de coupe 1,8 mm (0,071")). L'utilisation d'une autre lame de scie avec une largeur de coupe supérieure peut entraîner des pertes de puissance.

Portez une protection auditive.

Le bruit peut provoquer une perte d'acuité auditive.

Limitez à un minimum l'émission de bruit et les vibrations !

- Utilisez uniquement des appareils irréprochables.
- Entretenez et nettoyez l'appareil régulièrement.
- Adaptez votre méthode de travail à l'appareil.
- Ne surchargez pas l'appareil.
- Faites examiner l'appareil le cas échéant.
- Éteignez l'appareil lorsqu'il n'est plus utilisé.

Attention !

Risques résiduels

Il existe toujours des risques même si vous vous servez correctement de cet outil électrique. Les risques suivants peuvent se produire en rapport avec la structure et la réalisation de cet outil électrique :

1. Lésions pulmonaires, si vous ne portez pas de masque anti-poussières approprié.
2. Lésions auditives, si vous ne portez pas de protection auditive appropriée.

Limitez la durée de travail.

À cet égard, toutes les parties du cycle de fonctionnement doivent être respectées (par exemple, les périodes pendant lesquelles l'outil électrique est éteint et celles pendant lesquelles il reste allumé mais fonctionne sans charge).

5. Avant la mise en service

Avertissement !

Retirez systématiquement la batterie avant d'effectuer un ajustement à l'appareil.

- Déballez la scie de chantier et contrôlez si elle n'a pas été endommagée par le transport.
- La machine doit être placée de façon à être bien stable, sur un établi, ou fixée sur un support fixe universel, ou autre.
- Avant la mise en service, assurez-vous que

tous les gardes et dispositifs de sécurité sont correctement montés.

- La lame de scie doit pouvoir tourner librement.
- En cas de bois déjà travaillé, faire attention à des corps étrangers, comme par exemple clous ou vis etc.
- Avant d'actionner l'interrupteur Marche/Arrêt, s'assurer que la lame de scie est correctement montée et que les pièces mobiles fonctionnent bien.

6. Montage

Danger ! Avant tous travaux de maintenance, ajustement et de montage sur la scie de chantier, retirez la batterie.

6.1 Mise en place de la scie de chantier (fig. 4-6)

- Montez l'adaptateur d'aspiration (16) à l'arrière de la machine. Retirez la vis cruciforme (17) et poussez l'adaptateur d'aspiration (16) sur le collecteur de poussière (37). Fixez l'adaptateur d'aspiration (16) et le collecteur de poussière (37) avec la vis cruciforme (17).
- Remarque ! Les deux clés polygonales (30, 31) peuvent être rangées sur le côté du capot inférieur de la lame de scie (voir fig. 4). Tenez les deux clés polygonales à disposition pour le montage de l'insertion de table (6) et la lame à fendre (5).

6.2 Montage/Remplacement de l'insertion de table (fig. 7-8)

- En cas d'usure ou d'endommagement, remplacez l'insertion de table, dans le cas contraire il y a un risque de blessure accru.
- Retirez le garde de sécurité (2) (voir 6.4).
- Placez une des deux clés polygonales (30/31) 10 mm sur le disque rotatif (13). Tournez le disque (13) avec la clé polygonale dans le sens antihoraire pour desserrer l'insertion de table.
- Retirez l'insertion de table (6) usée.
- Le montage de la nouvelle insertion de table a lieu dans l'ordre inverse des étapes.

6.3 Montage/Remplacement de la lame à fendre (fig. 9-13)

- Danger ! Retirez la batterie de l'appareil !
- Démontez le garde de sécurité (2) et l'insertion de table (6) (voir 6.4, 6.2).
- Réglez la lame de scie (4) sur la profondeur de coupe maximum au moyen de la manivelle (8), tournez-la en position 0° et verrouillez-la.
- Desserrez la vis de fixation (19) jusqu'à ce que la fente entre la plaque de fixation (20) et la surface d'appui opposée soit d'environ 5 mm (3/16").
- Attention ! Ne desserrez pas complètement la plaque de fixation (20).
- Insérez la lame à fendre (5) dans la fente, poussez-la complètement vers le bas et fixez-la ensuite au moyen de la vis de fixation (19). Assurez-vous que la lame à fendre soit montée droit et ne vacille pas.
- La lame à fendre (5) doit se trouver centrée sur une ligne prolongée imaginaire derrière la lame de scie (4), de sorte qu'aucun coincement du produit à couper ne soit possible.
- L'écart entre la lame de scie (4) et la lame à fendre (5) doit être de .3 à 8 mm' ($\frac{3}{32}$ " - $\frac{5}{16}$ ").
- Remontez l'insertion de table (6) et le garde de sécurité (2) (voir 6.2, 6.4).

6.4 Montage/Remplacement du garde de sécurité (fig. 14)

- Placez le garde de sécurité (2) sur la lame à fendre (5) de sorte que la vis passe par le trou (18) de la lame à fendre.
- Insérez ensuite la vis au niveau du garde de sécurité (2) par le trou (18) et serrez-la à fond.
- Remarque ! La profondeur de serrage max. de la vis est pré-réglée à l'usine de sorte que le garde de sécurité (2) reste toujours librement mobile.
- Avertissement ! Le garde de sécurité (2) doit toujours descendre automatiquement sous son propre poids sur le produit à scier.

6.5 Montage/Remplacement de la lame de scie (fig. 15)

- Avant le remplacement de la lame de scie : Retirez la batterie de l'appareil !
- Lors du remplacement de la lame de scie, portez des gants afin d'éviter toute blessure !
- Réglez la lame de scie (4) à la profondeur de coupe maximum au moyen de la manivelle (8).
- Démontez le garde de sécurité, l'insertion de table et la lame à fendre (voir 6.4, 6.2, 6.3)

- Desserrez la vis (15) en utilisant une clé (30), placez une autre clé (31) sur l'arbre moteur pour exercer une contrepression.
- Attention ! Tournez la vis (15) dans le sens de rotation de la lame de scie.
- Retirez la bride extérieure et l'ancienne lame de scie (4) de la bride intérieure.
- Nettoyez minutieusement les brides de lame de scie avant le montage de la nouvelle lame de scie.
- Installez la nouvelle lame de scie (4) en procédant dans l'ordre inverse et serrez à fond.
- Attention ! Respectez le sens de rotation, le biais de coupe des dents doit pointer dans le sens de rotation, c'est-à-dire vers l'avant (voir flèche sur la protection de lame de scie).
- Remontez la lame à fendre, l'insertion de table et le garde de sécurité et réglez-les (voir 6.3, 6.2, 6.4).
- Avant de retravailler avec la scie, assurez-vous du fonctionnement des dispositifs de protection.
- Avertissement ! Après chaque changement de lame de scie, vérifiez si le garde de sécurité (2) s'ouvre et se ferme selon les exigences. Vérifiez en outre si la lame de scie (4) tourne librement dans le garde de sécurité (2).
- Avertissement ! Après chaque changement de lame de scie, vérifiez si la lame de scie (4) fonctionne librement dans l'insertion de table (6) dans la position verticale ainsi que incliner à 45°.
- Avertissement ! Une insertion de table (6) usée ou endommagée doit être immédiatement remplacée (voir 6.2).
- Avertissement ! Le remplacement et l'alignement de la lame de scie (4) doivent être réalisés correctement.

6.6 Entreposage des pièces non serrées (fig. 4)

En cas de non-utilisation, le guide à onglets (14), le poussoir (3) ainsi que les deux clés (30/31) peuvent être fixés comme indiqué à la figure 2.

6.7 Raccord pour aspiration de poussière (fig. 16-19)

Il y a une possibilité de raccordement à l'aspiration de poussière au niveau de l'adaptateur d'aspiration au niveau du boîtier (16) ainsi que le garde de sécurité (2).

6.8 Aspiration avec aspirateur sec/humide (fig. 16)

- Une aspirateur sec/humide n'est pas compris dans la livraison, disponible en tant qu'accessoire.
- Raccordez l'aspirateur sec/humide à l'adaptateur d'aspiration du boîtier (16).

6.9 Aspiration avec installation d'aspiration et kit adaptateur d'aspiration (fig. 17-19)

- Le kit adaptateur d'aspiration avec tuyau d'aspiration (45) et pièce intermédiaire (46) ainsi que l'installation d'aspiration ne sont pas compris dans la livraison, disponibles en tant qu'accessoires.
- Dévissez la vis sur le capot (38) du garde de sécurité (2) avec un tournevis Philips.
- Retirez le capot (38) du garde de sécurité (2).
- Raccordez la pièce intermédiaire (b) à l'adaptateur d'aspiration du boîtier (16).
- Raccordez le garde de sécurité (2) et la pièce intermédiaire (46) avec le tuyau d'aspiration (45).
- Une installation d'aspiration peut maintenant être raccordée au diamètre de 4" (100 mm) de la pièce intermédiaire (46).

7. Fonctionnement

7.1 Interrupteur marche/arrêt (fig. 20 / pos. 11)

- Appuyez sur le bouton vert "I" pour allumer la scie. Avant d'entamer le sciage, patientez jusqu'à ce que la lame de scie ait atteint sa vitesse de rotation maximum.
- Le bouton d'arrêt rouge "0" est recouvert par le couvercle de l'interrupteur d'arrêt d'urgence (41). Pour éteindre la scie, appuyez sur le couvercle de l'interrupteur d'arrêt d'urgence (41).

7.2 Profondeur de coupe (fig. 21-22)

Tourner la manivelle (8) permet de régler la lame de scie (4) à la profondeur de coupe souhaitée.

Dans le sens antihoraire :

Profondeur de coupe plus petite

Dans le sens horaire

Profondeur de coupe plus grande

7.3 Guide à refendre

Il faut utiliser le guide à refendre (7) pour découper des pièces de bois dans le sens de la longueur.

7.4 Hauteur de l'arrêt (fig. 23-24)

- Le guide à refendre (7) fournie doit être utilisée pour découper des matériaux minces dans le sens de la longueur avec le rail de butée (23) (voir fig. 23).
- Pour fixer le rail de butée (23) au guide à refendre (7), les deux vis moletées (26) doivent être desserrées. Vissez ensuite le rail de butée (23) avec la rainure (25) sur les vis moletées (28) et fixez-le avec les rondelles (27) et les vis moletées (26).
- Il faut utiliser le guide à refendre (7) sans le rail de butée (23) pour découper des pièces de bois dans le sens de la longueur (voir fig. 24). Pour ce faire, il faut démonter les boulons à collet carré (28), les rondelles (27) et les vis moletées (26).
- Avertissement ! Le rail de butée (23) doit toujours être vissé sur le côté du guide à refendre (7) tourné vers la lame de scie, en cas d'utilisation.

7.5 Largeur de coupe (fig. 25-27)

- Le guide à refendre (7) peut être monté des deux côtés de la table de sciage (1).
- Le guide à refendre (7) doit être inséré dans le rail de guidage (29) de la table de sciage (1).
- Appuyez sur le levier excentrique (12) pour verrouiller le guide à refendre (7) dans la position souhaitée.

Lorsque l'extension de table est rétractée et/ou pour des largeurs de coupe inférieures à 10":

- Réglez le guide à refendre (7) à la distance souhaitée à l'aide de la graduation principale (22) sur le rail de guidage (29).

Lorsque l'extension de table est allongée et/ou pour des largeurs de coupe supérieures à 10":

- Réglez le guide à refendre (7) à 10" à l'aide de la graduation principale (22) et fixez-le avec le levier excentrique (12).
- Pour augmenter à présent la largeur de coupe, allongez l'extension de table (10) (voir 7.9).
- Lisez toute la largeur de coupe réglée au niveau de la graduation supplémentaire (24). Remarque ! Pour que les dimensions de coupe soient correctes sur la graduation supplémentaire (24), le guide à refendre (7) doit être réglé sur la graduation principale (22) avec la valeur définie de 10".

Nous ne recommandons pas d'utiliser le rail de butée (23) pour une largeur de coupe supérieure à 10".

7.6 Réglage de la longueur de butée (fig. 28)

- Pour éviter le blocage de l'objet à couper, il faut glisser le rail de butée (23) en longueur.
- Règle générale : L'extrémité arrière de la butée bute contre une ligne imaginaire qui commence à peu près au milieu de la lame de scie et s'étend vers l'arrière à 45°.
- Réglez la largeur de coupe nécessaire
 - Desserrez les vis moletées (26) et avancez le rail de butée (23) jusqu'à ce qu'il touche la ligne imaginaire de 45°.
 - Resserrez les vis moletées (26).

7.7 Guide à onglets (fig. 29)

Il faut utiliser le guide à onglets (14) pour découper des pièces de bois dans le sens transversal.

- Positionnez le guide à onglets (14) dans la rainure (21) de la table de sciage.
- Desserrez la vis de fixation (36).
- Tournez le rail de butée (34) jusqu'à ce que la flèche indique l'angle souhaité.
- Resserrez la vis de fixation (36).
- Contrôlez l'écart entre le rail de butée (34) et la lame de scie (4).
- Avertissement ! Ne poussez pas trop le rail de butée (34) en direction de la lame de scie. L'écart entre le rail de butée (34) et la lame de scie (4) doit s'élever à environ 2 cm ($1\frac{3}{16}$ ").
- Si nécessaire, desserrez les deux vis moletées (35) et réglez le rail de butée (34).
- Resserrez les vis moletées (35).

7.8 Réglage de l'angle (fig. 21-22)

- Desserrez le levier de blocage (9) (voir fig. 23).
- Réglez l'angle de la lame de scie en poussant la manivelle (8) jusqu'à ce que l'indicateur coïncide avec l'angle souhaité sur la graduation.
- Fixez l'angle en serrant le levier de blocage (9) (voir fig. 24).
- En cas de besoin, la butée d'extrémité peut être réajustée pour le réglage de l'angle de la lame de scie à 0° ainsi qu'à 45°. Cela se fait par réglage des deux vis d'ajustement (32) et (33).

7.9 Réglage de l'extension de table (fig. 30-31)

- L'extension de table (10) de la table de sciage (1) peut être tiré vers la droite.
- Le levier de serrage (42) doit pointer à l'opposé de la scie de chantier pour que l'extension de table (10) puisse être déplacé (voir fig. 30).
- Pour fixer l'extension de table (10) dans une position déterminée, le levier de serrage (42) doit pointer vers la machine (voir fig. 31).
- Si le guide à refendre est utilisé lorsque l'extension de table (10) est tiré vers la droite, le guide à refendre (7) doit être réglée à 10" de la graduation principale (22).
- Danger ! Un guide à refendre (7) insuffisamment fixé peut provoquer un recul.
- Avertissement ! Assurez-vous toujours, en particulier lorsque l'extension de table est déployé, que la pièce à usiner se trouve bien sur la table de sciage et ne peut pas se coincer.
- En cas de besoin, il est possible de réajuster la force de serrage du levier de serrage (42). Desserrez à cet effet l'écrou (44) et vissez ou dévissez la douille fileté (43) jusqu'à ce que la force de serrage souhaitée soit atteinte. Puis, fixez à nouveau la douille fileté (43) avec l'écrou (44).

7.10 Chargement de la batterie au Lithium-ion (non inclus)

Vous trouverez les instructions correspondantes dans le mode d'emploi d'origine de votre chargeur.

7.11 Affichage de la capacité de la batterie (image 42/Pos. 47)

Appuyez sur l'interrupteur de l'affichage de la capacité de la batterie (48). L'affichage de la capacité de la batterie (47) signale l'état de charge de la batterie au moyen de 3 DEL.

Les 3 DEL s'allument:

La batterie est complètement chargée.

2 ou 1 DEL s'allument:

La batterie a une charge résiduelle suffisante.

1 DEL clignote:

La batterie est déchargée, chargez la batterie.

Tous les voyants clignotent :

La température de la batterie est trop basse. Retirez la batterie de l'appareil, laissez-la à tempéra-

ture ambiante pendant une journée. Si le défaut se reproduit, cela signifie que la batterie rechargeable a subi une décharge complète et est défectueuse. Retirez la batterie de l'équipement. N'utilisez ou ne chargez jamais une batterie défectueuse.

8. Opération

Avertissement !

- Après chaque nouveau réglage, nous conseillons de faire un essai de coupe pour vérifier les nouveaux réglages.
- Après la mise en marche de la scie, attendre que la lame de scie ait atteint sa vitesse de rotation maximale avant de commencer le sciage.
- Attention au début de la coupe !
- N'exploitez l'appareil qu'avec l'aspiration.
- Contrôlez et nettoyez régulièrement les canaux d'aspiration.

8.1 Réalisation de coupes longitudinales (fig. 34-35)

Ces coupes scient une pièce à usiner dans le sens de sa longueur.

Un bord de la pièce à usiner est pressé contre le guide à refendre (7) alors que le côté plat est posé sur la table de sciage (1).

Le garde de sécurité (2) doit toujours être rabaisé sur la pièce à usiner.

Votre position de travail pour une coupe longitudinale ne doit jamais être en ligne avec la ligne de coupe.

- Régler le guide à refendre (7) en fonction de la hauteur de la pièce à usiner et de la largeur désirée (voir fig. 7.3).
- Mettre la scie en marche.
- Placez vos mains (doigts serrés) à plat sur la pièce à usiner et pousser la pièce à usiner le long du guide à refendre (7) contre la lame de scie (4).
- Guidage latéral avec la main gauche ou droite (selon la position du guide à refendre) uniquement jusqu'à l'avant du garde de sécurité.
- Pousser la pièce à usiner toujours jusqu'à la fin de la lame à fendre (5).
- Le rebut de la coupe reste sur la table de sciage (1) jusqu'à ce que la lame de scie (4) soit à nouveau en position de repos.
- Il faut empêcher les pièces à usiner de longueur importante de basculer à la fin de la coupe en prenant les mesures appropriées. (par exemple un support à rouleau, etc.)

8.2 Couper des pièces minces (fig. 36)

Les coupes longitudinales de pièces à usiner ayant une largeur inférieure à 5,9" (150 mm) doivent absolument être effectuées à l'aide d'un poussoir (3).

Le poussoir fait partie de la livraison. Remplacez immédiatement tout poussoir usé ou abîmé.

8.3 Couper des pièces très minces (Fig. 39)

- Pour les coupes longitudinales de pièces à usiner très minces d'une largeur de 50 mm (2") et moins, utilisez absolument un bloc poussoir.
- La surface de guidage basse du guide à refendre doit alors être préférée.
- Le bloc poussoir ne fait pas partie de la livraison. Remplacez immédiatement tout bloc poussoir usé ou endommagé.

8.4 Coupes en biais (fig. 38)

Les coupes en biais sont principalement exécutées en utilisant le guide à refendre (7).

Si, lors de la coupe en biseau, vous inclinez la lame de scie (4) vers la gauche, positionnez le guide à refendre (7) à droite de la lame de scie (4). Guidez la pièce entre la lame de scie (4) et le guide à refendre (7).

- Régler la lame de scie (4) à l'angle désirée. (voir 7.8.)
- Régler le guide à refendre (7) en fonction de la largeur et de la hauteur de la pièce à usiner (voir 7.6).
- Effectuez la coupe en fonction de la largeur de la pièce à usiner (voir 8.2. et 8.3)

8.5 Coupes transversales (fig. 39-40)

- Pousser le guide à onglets (14) dans l'une des deux rainures (a) de la table de sciage (1) et le régler à l'angle désirée. (voir 7.7).
- Appuyez fermement la pièce à usiner contre le guide à onglets (14).
- Mettre la scie en marche.
- Poussez le guide à onglets (14) et la pièce à usiner en direction de la lame de scie pour réaliser la coupe.
- **Avertissement !** Tenez toujours la partie guidée de la pièce. Ne tenez jamais la partie qui doit être coupée.
- Pousser toujours le guide à onglets (14) vers l'avant jusqu'à ce que la pièce à usiner soit complètement découpée.
- Mettez l'outil en arrêt de nouveau. Ne retirer les copeaux de sciage qu'à partir du moment où la lame de scie est complètement arrêtée.

9. Nettoyage et entretien

Danger !

Avant tout travail de nettoyage, retirez la batterie de l'appareil.

Retirez la batterie avant tout réglage, tout entretien ou réparations.

9.1 Nettoyage

- Maintenez les dispositifs de protection, les fentes d'aération et les carters de moteur aussi exempt de poussières et de saletés que possible. Frottez l'appareil avec un linge propre et nettoyez-le à l'air comprimé à basse pression.
- Nous recommandons de nettoyer l'appareil directement après chaque utilisation.
- Nettoyez l'appareil régulièrement avec un linge humide et un peu de savon doux. N'utilisez pas de détergeant ni de solvants ; ils peuvent détériorer les éléments en plastique de l'appareil. Veillez à ce que l'eau ne puisse pas pénétrer à l'intérieur de l'appareil. La pénétration de l'eau dans un appareil électrique augmente le risque d'une électrocution.
- Nettoyez régulièrement le collecteur de poussière (37). Desserrez la vis cruciforme (17) et retirez le collecteur de poussière (37) vers l'arrière de la machine (fig. 43). Nettoyez minutieusement le collecteur de poussière (37) et fixez-le à nouveau sur la scie de chantier dans l'ordre inverse.

9.2 Entretien

L'intérieur de l'appareil ne contient pas de pièces exigeant un entretien.

10. Élimination et recyclage

L'appareil se trouve dans un emballage pour empêcher les dommages dus au transport. Cet emballage constitue une matière première et peut par conséquent est réutilisé ou peut être recyclé. L'appareil et ses accessoires sont fabriqués à partir de différents produits, comme par exemple le métal et les matières plastiques. Ne jetez pas les appareils défectueux dans les déchets ménagers. Pour être éliminé de façon appropriée, l'appareil devrait être déposé à un lieu de collecte approprié. Si vous ne connaissez aucun lieu de collecte, informez-vous auprès de l'administration municipale.

11. Entreposage

Entreposez l'appareil et ses accessoires dans un endroit sombre, sec et exempt de gel ainsi que hors la portée des enfants. La température d'entreposage optimale se situe entre 41 °F et 86 °F (5 °C et 30 °C). Entreposez l'outil électrique dans l'emballage d'origine.

Une réimpression ou toute autre reproduction de la documentation et des documents accompagnant les produits, même par extraits, ne sont autorisées qu'avec accord exprès d'Einhell Germany AG.

Sous réserve des modifications techniques.



Peligro! - Leer el manual de instrucciones para reducir cualquier riesgo de sufrir daños



Cuidado! Usar **protección para los oídos**. La exposición al ruido puede ser perjudicial para el oído.



Cuidado! Es preciso ponerse una **mascarilla de protección**. Puede generarse polvo dañino para la salud cuando se realicen trabajos en madera o en otros materiales. ¡Está prohibido trabajar con material que contenga asbesto!



Cuidado! Llevar **gafas de protección**. Durante el trabajo, la expulsión de chispas, astillas, virutas y polvo por el aparato pueden provocar pérdida de vista.



Almacenamiento de las baterías sólo en espacios secos con una temperatura ambiente de 50°F to 104°F (+10°C to +40°C). Guardar las baterías únicamente cuando estén cargadas (mín. al 40%).



Cuidado! ¡Peligro de sufrir daños! No entrar en contacto con la hoja de la sierra en funcionamiento.



Girar el disco hacia la izquierda con la llave de anillo adjunta para soltar el revestimiento de la mesa. Girar el disco hacia la derecha con el fin de asegurar que el revestimiento de la mesa no se caiga.

Peligro!

Al usar aparatos es preciso tener en cuenta una serie de medidas de seguridad para evitar lesiones o daños. Por este motivo, es preciso leer atentamente este manual de instrucciones/advertencias de seguridad. Guardar esta información cuidadosamente para poder consultarla en cualquier momento. En caso de entregar el aparato a terceras personas, será preciso entregarles, asimismo, el manual de instrucciones/advertencias de seguridad. No nos hacemos responsables de accidentes o daños provocados por no tener en cuenta este manual y las instrucciones de seguridad.

1. Instrucciones de seguridad**Peligro!**

Lea todas las instrucciones de seguridad e indicaciones. El incumplimiento de dichas instrucciones e indicaciones puede provocar descargas, incendios y/o daños graves. **Guarde todas las instrucciones de seguridad e indicaciones para posibles consultas posteriores.**

Instrucciones generales de seguridad para herramientas eléctricas

El término de "herramienta eléctrica" que se usa en las instrucciones de seguridad se refiere a las herramientas que funcionan en red (con cable de conexión) y con batería (sin cable de conexión).

1. Seguridad en el lugar de trabajo

- a) **Mantener limpia y bien iluminada la zona de trabajo.** *Las zonas de trabajo desordenadas o sin luz pueden conllevar accidentes.*
- b) **No trabajar con este aparato eléctrico en un entorno explosivo en el que se hallen líquidos, gases o polvos inflamables.** *Las herramientas eléctricas generan chispas que pueden inflamar el polvo o los vapores.*
- c) **Mantener alejados a niños y a otras personas fuera del alcance de la herramienta eléctrica.** *Las distracciones pueden hacer perder el control sobre el aparato.*

2. Seguridad eléctrica

- a) **El enchufe del aparato eléctrico debe ser el adecuado para la toma de corriente. El enchufe no debe ser modificado de ningún modo. No emplear adaptadores de enchufe con aparatos eléctricos puestos a tierra.** *Los enchufes sin modificar y*

las tomas de corriente adecuadas reducen el riesgo de una descarga eléctrica.

- b) **Evitar el contacto corporal con superficies con toma de tierra como tubos, calefacciones, fogones y frigoríficos.** *Existe un gran riesgo de descarga eléctrica si su cuerpo se halla puesto a tierra.*
- c) **Mantener los aparatos eléctricos alejados de la lluvia o la humedad.** *Si entra agua en el aparato eléctrico existirá mayor riesgo de una descarga eléctrica.*
- d) **No utilizar el cable de forma inadecuada, no utilizarlo para transportar el aparato, colgarlo o retirarlo de la toma de corriente. Mantener el cable alejado del calor, aceites, cantos afilados o partes del aparato en movimiento.** *Los cables dañados o mal enrollados aumentan el riesgo de descarga eléctrica.*
- e) **Si se trabaja con una herramienta eléctrica al aire libre, emplear sólo alargaderas que también sean adecuadas para el exterior.** *El empleo de una alargadera apropiada para trabajos en el exterior reduce el riesgo de descarga eléctrica.*
- f) **Si no se puede evitar tener que utilizar la herramienta eléctrica en un entorno húmedo, utilizar un dispositivo de protección diferencial.** *El uso de un dispositivo de protección diferencial reduce el riesgo de sufrir una descarga eléctrica.*

3. Seguridad de personas

- a) **Prestar atención al trabajo, comprobar lo que se está haciendo y proceder de forma razonable durante el trabajo de una herramienta eléctrica. No emplear la herramienta eléctrica si se está cansado o bajo la influencia de drogas, alcohol o medicamentos.** *Una mínima falta de atención durante el uso de la herramienta eléctrica puede causar lesiones graves.*
- b) **Llevar equipo de protección personal. Llevar siempre gafas protectoras.** *El equipo de protección (como mascarilla antipolvo, calzado de seguridad antideslizante, casco o protección auditiva) usado en las condiciones adecuadas sirve para reducir las lesiones personales.*
- c) **Prevenir un arranque no intencionado. Asegurarse de que el interruptor se encuentre en la posición OFF antes de conectar la herramienta a la fuente eléctrica y/o BATERÍA, alzarla o transportarla.** *El transporte de herramientas eléctricas con*

el dedo en el interruptor o la activación de herramientas eléctricas con el interruptor en ON puede provocar accidentes.

- d) **Retirar las herramientas de ajuste o la llave antes de conectar la herramienta eléctrica.** *Una herramienta o llave que se haya olvidado en partes giratorias del aparato puede producir lesiones.*
- e) **Evitar trabajar en una posición corporal inadecuada. Adoptar una posición segura y mantener en todo momento el equilibrio.** *Ello permite controlar mejor la herramienta eléctrica en situaciones inesperadas.*
- f) **Llevar ropa de trabajo adecuada. No llevar ropa holgada ni joyas durante el trabajo. Mantener el cabello, la ropa y los guantes alejados de las piezas en movimiento.** *La ropa holgada, las joyas o los cabellos largos pueden ser atrapados por las piezas en movimiento.*
- g) **Si el aparato permite instalar dispositivos de aspiración y recogida del polvo, es preciso asegurarse de que estén conectados y se empleen de forma correcta.** *La utilización de un aspirador de polvo puede reducir los peligros provocados por el mismo.*
- h) **A pesar de estar muy familiarizado con el uso de las herramientas, no confiarse en exceso ni ignorar las normas de seguridad de la herramienta.** *Un descuido puede conllevar una lesión grave en milésimas de segundo.*

4. Empleo y tratamiento de la herramienta eléctrica

- a) **No sobrecargar el aparato. Usar la herramienta eléctrica específica para cada trabajo.** *Con la herramienta eléctrica adecuada se trabaja mejor y con más seguridad permaneciendo dentro de la potencia indicada.*
- b) **No usar ninguna herramienta eléctrica cuyo interruptor esté defectuoso.** *Una herramienta eléctrica que ya no pueda conectarse o desconectarse conlleva peligros y debe repararse.*
- c) **Desconectar el enchufe de la toma de corriente y/o retirar la batería, si es desmontable, de la herramienta eléctrica antes de realizar cualquier ajuste, cambiar accesorios o almacenarla.** *Este tipo de medidas de seguridad preventivas sirve para reducir el riesgo de poner en marcha la herramienta eléctrica de manera involuntaria.*
- d) **Guardar las herramientas eléctricas que**

no se usen fuera del alcance de los niños. No permitir el uso del aparato a personas que no estén familiarizadas con él o no hayan leído estas instrucciones. *Las herramientas eléctricas son peligrosas si las usan personas sin experiencia.*

- e) **Realizar el mantenimiento de las herramientas eléctricas y los accesorios. Comprobar que las piezas móviles no estén desajustadas ni atascadas, que las piezas no presenten rotura ni otras condiciones que puedan afectar al funcionamiento de la herramienta eléctrica.** *En caso de que la herramienta eléctrica esté dañada, es preciso que sea reparada antes de utilizarla de nuevo. Muchos accidentes se provocan a causa de un mantenimiento deficiente de la herramienta eléctrica.*
 - f) **Mantener limpias y afiladas las herramientas de corte.** *Las herramientas de corte bien cuidadas con cantos afilados se bloquean con menor frecuencia y pueden manejarse de forma más sencilla.*
 - g) **Respetar estas instrucciones cuando se desee utilizar la herramienta eléctrica, los accesorios, piezas de recambio, etc. Para ello, tener en cuenta las condiciones de trabajo y la tarea a ejecutar.** *El uso de herramientas eléctricas para otros fines diferentes a los previstos puede originar situaciones peligrosas.*
 - h) **Mantener asas y empuñaduras secas, limpias y libres de aceite y grasa.** *Las asas y empuñaduras resbaladizas impiden manejar con seguridad y controlar la herramienta en situaciones inesperadas.*
- #### 5. Empleo y tratamiento de la herramienta eléctrica
- a) **Cargar la batería sólo en cargadores recomendados por el fabricante.** *Existe el peligro de incendio si se utiliza un cargador, indicado sólo para un tipo concreto de baterías, para otro tipo de baterías.*
 - b) **Utilizar sólo las baterías indicadas para la herramienta eléctrica en cuestión.** *El uso de otras baterías puede provocar daños y conllevar peligro de incendio.*
 - c) **Mantener cualquier batería que no se esté utilizando alejada de grapas, monedas, llaves, clavos, tornillos u otros objetos metálicos pequeños que podrían provocar un puenteo de los contactos.** *Un cortocircuito entre los contactos de la batería puede tener como consecuencia quemadu-*

ras o provocar fuego.

- d) **Si se utiliza incorrectamente podría salir líquido de la batería. Evitar el contacto con el líquido. En caso de tocar accidentalmente el líquido, lavar la zona afectada con agua. Si el líquido penetra en los ojos, acudir a un médico. El líquido de la batería puede provocar irritaciones en la piel o quemaduras.**
- e) **No utilizar BATERÍAS ni herramientas que estén dañadas o modificadas. Las baterías dañadas o modificadas pueden manifestar comportamientos impredecibles que pueden dar lugar a incendio, EXPLOSIÓN o riesgo de lesión.**
- f) **No exponer una BATERÍA ni herramienta al fuego o a una temperatura excesiva. La exposición al fuego o a una temperatura superior a los 266°F (130°C) puede provocar una explosión.**
- g) **Seguir todas las instrucciones de carga y no cargar la BATERÍA ni herramienta fuera del margen de temperatura especificado en las instrucciones. Una carga inadecuada o a temperaturas fuera del margen especificado puede dañar la batería e incrementar el riesgo de incendio.**
6. **Servicio**
- a) **Sólo especialistas cualificados deben reparar la herramienta eléctrica, empleando para ello únicamente piezas de repuesto originales. Esta forma de proceder garantiza la seguridad de la herramienta eléctrica.**
- b) **No reparar nunca BATERÍAS dañadas. La reparación de las BATERÍAS dañadas solo la puede llevar a cabo el fabricante o un distribuidor autorizado.**

Instrucciones de seguridad especiales

Con el fin de ofrecerle baterías con la máxima densidad de energía, larga duración y seguridad, prestamos el mayor cuidado en su montaje. Las celdas de la batería disponen de dispositivos de seguridad de varios niveles. En primer lugar se asigna el formato a cada celda y se registran sus características eléctricas. A continuación, estos datos se utilizan para agrupar las celdas y crear la mejores baterías. **A pesar de todas las medidas de seguridad, siempre es necesario tener precaución al utilizar baterías. Para un funcionamiento seguro es obligatorio tener en cuenta los siguientes puntos.**

¡El funcionamiento seguro sólo está garantizado si las celdas no están dañadas! Un ma-

nejo inadecuado puede dañar las celdas.

¡Atención! Los análisis confirman que un uso y un cuidado inadecuados son la principal causa de los daños provocados por baterías de alta potencia.

Advertencias sobre la batería

1. La batería del aparato no se suministra cargada. Antes de la primera puesta en marcha, es preciso recargarla por completo.
2. ¡Para que la batería trabaje de forma óptima evitar ciclos de descarga prolongados! Recargar la batería con frecuencia.
3. Guardar la batería en un lugar fresco, lo ideal son 59°F (15°C), y como mínimo cargada al 40%.
4. Las baterías de iones de litio están sujetas a un desgaste natural. ¡La batería debe ser sustituida como muy tarde cuando su rendimiento sea menor al 80% respecto a su estado cuando era nueva! Las celdas deterioradas de un conjunto de baterías envejecido no cumplen con los altos requisitos de rendimiento, representando un riesgo para la seguridad.
5. No tirar las baterías usadas al fuego. ¡Peligro de explosión!
6. No prender la batería ni exponerla al fuego.
7. **¡Evitar una descarga total de las baterías!** Este tipo de descarga daña las celdas de la batería. La causa más frecuente de la descarga total de la batería es el largo almacenamiento o la no utilización de baterías parcialmente descargadas. Terminar el trabajo en cuanto se aprecie que la potencia disminuye o se activa el sistema electrónico de protección. Almacenar la batería sólo tras haberla cargado completamente.
8. **¡Proteger las baterías y el aparato contra sobrecarga!** La sobrecarga conduce rápidamente a un sobrecalentamiento y daño de las celdas del interior de la carcasa de batería, sin que el sobrecalentamiento se perciba externamente.
9. **¡Evitar daños y golpes!** Sustituir inmediatamente las baterías que hayan caído desde una altura superior a un metro o que hayan sufrido golpes fuertes, incluso aunque la carcasa de la batería no parezca dañada. Las celdas que se encuentren en su interior podrían estar gravemente dañadas. Tener en cuenta también las indicaciones de eliminación.
10. En caso de sobrecarga y sobrecalentamiento, el circuito de protección integrado descon-

ecta el aparato por motivos de seguridad.

¡Atención! Dejar de pulsar el interruptor On/Off cuando el circuito de protección haya desconectado el aparato. Podría dañar la batería.

11. Utilizar exclusivamente baterías originales. El uso de otras baterías puede provocar daños, así como explosión y peligro de incendio.
12. **Proteger la batería de la humedad, la lluvia y la humedad ambiental elevada.** La humedad, la lluvia y la humedad ambiental elevada pueden provocar daños peligrosos en las celdas. No cargar ni trabajar nunca con baterías que hayan estado expuestas a la humedad, la lluvia o humedad ambiental elevada, ¡reemplazarlas de inmediato!
13. Si el aparato está dotado de una batería extraíble, por motivos de seguridad será preciso extraerla una vez finalizado el trabajo.

Advertencias sobre el cargador y el proceso de carga

1. Observar los datos indicados en la placa de identificación del cargador. Conectar el cargador sólo a la tensión nominal indicada en la placa de características.
2. Proteger el cargador y el cable de daños y cantos afilados. Los cables dañados deben ser cambiados exclusivamente por un electricista profesional.
3. Mantener el cargador, las baterías y el aparato fuera del alcance de niños.
4. No emplear cargadores dañados.
5. No emplear el cargador suministrado para cargar otros aparatos a batería.
6. La batería se calienta bajo condiciones extremas de aplicación. Dejar que la batería se enfríe hasta alcanzar la temperatura ambiental antes de empezar a cargar.
7. **¡No cargar demasiado las baterías!** Respetar los tiempos de carga máximos. Estos tiempos de carga se aplican únicamente a baterías descargadas. Si una batería cargada o parcialmente cargada se conecta varias veces al cargador se produce una sobrecarga y un daño de las celdas. No deje las baterías en el cargador por más de 48 horas.
8. **No utilizar ni cargar nunca baterías si se tiene la sospecha de que la última carga de la batería puede haberse realizado hace más de 12 meses.** Existe una alta probabilidad de que la batería ya esté gravemente dañada (descarga total).
9. Cargar la batería a una temperatura de menos de 50°F (10°C) provoca daños químicos

en las celdas y puede conllevar peligro de incendio.

10. No utilizar baterías que se hayan calentado durante la carga, ya que sus celdas podrían dañarse peligrosamente.
11. Dejar de usar baterías que se hayan deformado o abombado durante la carga, o aquellas que presenten síntomas inusuales (desprendimiento de gases, zumbidos, chasquidos,...)
12. No descargar la batería por completo (nivel de descarga recomendado: máx. 80%). La descarga total provoca un envejecimiento prematuro de las celdas de la batería.
13. ¡No cargar nunca las baterías sin supervisión!

Protección contra influencias ambientales

1. Ponerse ropa de trabajo adecuada. Ponerse gafas de protección.
2. **Proteger el aparato y el cargador de la humedad y la lluvia.** Éstas podrían provocar daños peligrosos en las celdas.
3. No utilizar el aparato y el cargador cerca de vapores y líquidos inflamables.
4. Utilizar el cargador y el aparato a batería sólo si están secos y a una temperatura ambiente de 50°F-104°F (10-40 °C).
5. No guardar la batería en lugares que puedan alcanzar una temperatura superior a 104°F (40 °C), especialmente no en un vehículo aparcado al sol.
6. **¡Proteger las baterías contra un sobrecalentamiento!** La sobrecarga, carga excesiva o la radiación solar conducen a un sobrecalentamiento y al daño de las celdas. No cargar ni trabajar en ningún caso con baterías que se hayan sobrecalentado. Sustituirlas inmediatamente.
7. **Almacenamiento de baterías, cargadores y del aparato.** Guardar siempre el cargador y el aparato en habitaciones secas con una temperatura ambiente de 50°F-104°F (10-40°C). Guardar la batería de iones de litio en un lugar fresco y seco a 50°F-68°F (10-20°C). ¡Proteger de la humedad ambiental y de la radiación solar! Guardar las baterías únicamente cuando estén cargadas (mín. al 40%).
8. Evitar que la batería de iones de litio se hielan. Deshacerse de las baterías que hayan estado guardadas a 32°F (0°C) durante más de 60 minutos.
9. Llevar cuidado con la carga electrostática al manipular baterías: las descargas electrostáticas provocan daños en el sistema electrónico de protección y las celdas de la batería. ¡Evitar por ello la carga electrostática y no

tocar nunca los polos de la batería!
Precaución y eliminación de la batería

Eliminación

Si su artefacto necesita ser reemplazado luego de un uso prolongado, no lo arroje a la basura doméstica. Hágalo de una forma ecológica y segura.



Los desechos producidos por máquinas eléctricas no deben ser manipulados como basura doméstica común. Recíclelos donde hayan emplazamientos de reciclaje.

Consulte con las autoridades o tienda minorista de su localidad para obtener información sobre reciclaje.

Deshágase de su batería de acuerdo con los reglamentos federales, estatales y locales. Para encontrar lugares de reciclaje, comuníquese con un servicio de reciclaje en su localidad.

⚠ ¡PRECAUCIÓN! Incluso las baterías descargadas contienen algo de energía. Antes de deshacerse de éstas, use cinta aislante para cubrir los terminales y evitar que la batería haga cortocircuito, lo cual puede causar una explosión o incendio.

⚠ ¡ADVERTENCIA! Para reducir el riesgo de lesiones personales o explosión, nunca queme o incinere una batería incluso si está dañada, inservible o completamente descargada. Al ser quemada, los humos y materiales tóxicos son emitidos a la atmósfera circundante.

1. Las baterías varían de acuerdo al dispositivo. Consulte su manual para obtener la información específica.
2. Instale solo nuevas baterías del mismo tipo en su producto (donde corresponda).
3. No insertar las baterías con la polaridad correcta, tal como se indica en el compartimiento de la batería o en el manual, puede reducir el ciclo de vida útil de las baterías o causar fugas en las baterías.
4. No combine baterías nuevas con antiguas.
5. No combine baterías alcalinas, estándar (de zinc-carbono) o recargables (de níquel-cadmio, de níquel-hidruro metálico o de iones de litio).
6. No arroje las baterías al fuego. Pueden llegar a explotar.
7. Las baterías deben ser recicladas o desechadas según los reglamentos locales y estatales.

Para el envío o la eliminación de baterías o del aparato, estos deben embalarse por separado en bolsas de plástico para evitar cortocircuitos o incendios.

Instrucciones especiales de seguridad para sierras circulares de mesa

- 1) **Instrucciones de seguridad relativas a la cubierta protectora**
 - a) **Dejar la cubierta protectora montada. Las cubiertas protectoras deben encontrarse en perfecto estado de funcionamiento y correctamente montadas.** Las cubiertas protectoras sueltas, dañadas o que no funcionen correctamente se deben reparar o reemplazar.
 - b) **Utilizar siempre la cubierta de protección de la hoja de sierra y la cuña abridora para los cortes.** En los cortes en los que la hoja de sierra corta completamente a través del grosor de la pieza, la cubierta protectora y otros dispositivos de seguridad reducen el riesgo de lesiones.
 - c) **No utilizar la sierra para entallar ni ranurar.** Debido a su diseño, la sierra no es adecuada para este propósito. La cuña abridora no debe desmontarse ya que evita atascos y contragolpes.
 - d) **Antes de encender la herramienta eléctrica, asegurarse de que la hoja de sierra no toque la cubierta protectora, la cuña abridora o la pieza de trabajo.** El contacto accidental de estos componentes con la hoja de sierra puede conducir a una situación peligrosa.
 - e) **Ajustar la cuña abridora según se describe en el presente manual de instrucciones.** Es posible que si las distancias, la posición y el alineamiento no son correctos, la cuña abridora no impida eficazmente un contragolpe.
 - f) **Para que la cuña abridora funcione, debe estar enganchada en la pieza de trabajo.** En el caso de realizar cortes en piezas que son demasiado cortas para permitir que la cuña abridora se enganche, la cuña no resulta útil. En estas condiciones, la cuña abridora no puede evitar un contragolpe.
 - g) **Utilizar la cuña abridora adecuada para la hoja de la sierra.** Para que la cuña abridora funcione correctamente, el diámetro de la hoja de sierra debe coincidir con la cuña abridora correspondiente, la hoja base de la hoja de sierra debe ser más delgada que la cuña

abridora y el ancho del diente debe ser mayor que el grosor de la cuña abridora.

2) Instrucciones de seguridad para el proceso de serrado

- a) **PELIGRO: No colocar los dedos ni las manos cerca de la hoja de sierra ni en el área de serrado.** Un momento de descuido o deslizamiento podría dirigir la mano hacia la hoja de sierra y causar lesiones graves.
- b) **Dirigir la pieza de trabajo solo contra el sentido de giro de la hoja de la sierra o de la herramienta de corte.** Si se dirige la pieza de trabajo en la misma dirección que el sentido de giro de la hoja de sierra por encima de la mesa puede provocar que la pieza y la mano se queden pilladas en la hoja de sierra.
- c) **No utilizar nunca el tope de ingletes para dirigir la pieza a la hora de realizar cortes longitudinales y, para realizar cortes transversales con el tope de ingletes, no utilizar nunca adicionalmente el tope en paralelo para realizar el ajuste longitudinal.** El guiado simultáneo de la pieza de trabajo con el tope en paralelo y el tope de ingletes aumenta la probabilidad de que la hoja de sierra se atasque y se produzca un contragolpe.
- d) **Para cortes longitudinales, aplicar siempre la fuerza de avance a la pieza entre la guía de corte y la hoja de sierra. Utilizar una pieza de empuje si la distancia entre la guía de corte y la hoja de sierra es inferior a 150 mm, y un bloque de empuje si la distancia es inferior a 50 mm.** Estos medios auxiliares aseguran que la mano permanezca a una distancia segura de la hoja de sierra.
- e) **Utilizar únicamente la pieza de empuje suministrada por el fabricante o una que haya sido fabricada de acuerdo con las instrucciones.** La pieza de empuje asegura una distancia suficiente entre la mano y la hoja de sierra.
- f) **No utilizar nunca una pieza de empuje dañada o aserrada.** Una pieza de empuje dañada puede romperse y hacer que la mano entre en la hoja de sierra.
- g) **No trabajar „a mano alzada“. Utilizar siempre el tope en paralelo o el tope de ingletes para posicionar y guiar la pieza.** Por „a mano alzada“ se entiende que la pieza se apoya o guía con las manos en lugar de con un tope en paralelo o un tope de ingletes.

Serrar a mano alzada provoca desalineación, atascos y contragolpes.

- h) **No tender nunca la mano alrededor o sobre una hoja de sierra giratoria.** Tender la mano hacia una pieza de trabajo puede provocar un contacto involuntario con la hoja de sierra giratoria.
- i) **Apoyar las piezas de trabajo largas y/o anchas detrás y/o al lado de la mesa de la sierra para que permanezcan en posición horizontal.** Las piezas de trabajo largas y/o anchas tienden a volcarse en el borde de la mesa de la sierra, lo que provoca pérdida de control, atasco de la hoja de sierra y contragolpes.
- j) **Dirigir la pieza de trabajo uniformemente. No doblar ni torcer la pieza de trabajo. Si la hoja de sierra se atasca, apagar inmediatamente la herramienta eléctrica, desenchufar el cable de alimentación y corregir la causa del atasco.** Si se atasca la hoja de sierra en la pieza de trabajo, el motor puede provocar un contragolpe o bloquearse.
- k) **No retirar el material que se acaba de cortar mientras la sierra esté en funcionamiento.** El material que se acaba de cortar puede atascarse entre la hoja de sierra y la guía de corte o en la cubierta protectora y, al retirarlo, la hoja de la sierra puede pillar los dedos. Apagar la sierra y esperar hasta que la hoja de sierra se detenga antes de retirar el material.
- l) **Para cortes longitudinales en piezas de trabajo con un grosor inferior a los 2 mm, utilizar un tope en paralelo adicional que esté en contacto con la superficie de la mesa.** Las piezas de trabajo delgadas pueden atascarse debajo del tope en paralelo y provocar un contragolpe.
- m) **Evitar un sobrecalentamiento de la hoja de sierra o rastros de fuego en el material de la sierra.** Empujar el material a serrar de manera uniforme en la hoja de sierra y no detenerse durante el corte.

3) Contragolpes: causas e instrucciones de seguridad correspondientes

Un contragolpe es la reacción repentina de la pieza de trabajo como resultado de una hoja de sierra enganchada o bloqueada, de un corte oblicuo en la pieza de trabajo con respecto a la hoja de sierra o de cuando una parte de la pieza de trabajo se queda bloqueada entre la hoja de sierra y el tope en paralelo u otro objeto fijo. En la mayoría de los casos, cuando se produce un con-

tragolpe, la pieza de trabajo se queda pillada por la parte trasera de la hoja de sierra, se levanta de la mesa de la sierra y se expulsa en la dirección del operario. Un contragolpe es la consecuencia de un uso indebido de la sierra circular de mesa. Se puede evitar siguiendo las medidas indicadas a continuación:

- a) **No ponerse nunca en línea directa con la hoja de sierra. Mantenerse siempre en el lado de la hoja de sierra en el que se encuentra la guía de corte.** En caso de contragolpe, la pieza de trabajo puede salir disparada a gran velocidad hacia aquellas personas que se encuentren delante y en línea con la hoja de sierra.
 - b) **No tender nunca la mano por encima ni detrás de la hoja de la sierra para tirar o apoyar la pieza.** Puede producirse un contacto involuntario con la hoja de sierra o un contragolpe puede hacer que los dedos se queden pillados en la hoja.
 - c) **No sujetar ni presionar la pieza de trabajo que se desea cortar contra la hoja de sierra giratoria.** Presionar la pieza de trabajo que se está cortando contra la hoja de sierra puede provocar atascos y contragolpes.
 - d) **Alinear la guía de corte de forma que quede paralela a la hoja de sierra.** Una guía de corte no alineada presiona la pieza de trabajo contra la hoja de sierra y provoca un contragolpe.
 - e) **No utilizar la sierra para entallar ni ranurar.** Debido a su diseño, la sierra no es adecuada para este propósito. La cuña abridora no debe desmontarse ya que evita atascos y contragolpes.
 - f) **Tener especial cuidado cuando se corte en áreas no visibles de piezas de trabajo ensambladas.** Al introducir la hoja de la sierra se podrían cortar objetos o provocar un contragolpe.
 - g) **Apoyar cualquier placa grande para evitar el riesgo de contragolpe causado por la hoja bloqueada. Las placas grandes se pueden doblar bajo su propio peso.** Las placas deben estar apoyadas allí donde sobresalgan de la superficie de la mesa.
 - h) **No mecanizar piezas de trabajo retorcidas, anudadas, deformadas o que no dispongan de una arista recta por la que se puedan guiar con un tope de ingletes o a lo largo de una guía de corte.** Una pieza de trabajo deformada, anudada o retorcida es inestable y provoca una desalineación de la ranura de corte con la hoja de sierra, atascos y contragolpes.
- i) **Nunca serrar varias piezas de trabajo apiladas una encima de la otra o una detrás de la otra.** La hoja de sierra podría pillar una o más piezas y causar un contragolpe.
 - j) **No poner en marcha la sierra cuando la hoja esté insertada en la pieza de trabajo.** Si la hoja está atascada, podría levantar la pieza de trabajo y causar un contragolpe cuando se vuelve a poner en marcha la sierra.
 - k) **Mantener las hojas de sierra limpias, afiladas y suficientemente triscadas. No utilizar nunca hojas de sierra deformadas ni hojas de sierra con dientes agrietados o rotos.** Las hojas de sierra afiladas y correctamente ajustadas minimizan los atascos, bloqueos y contragolpes.
- 4) Instrucciones de seguridad a la hora de manejar sierras circulares de mesa**
- a) **Apagar la sierra circular y desconectarla de la red eléctrica antes de retirar el accesorio de mesa, cambiar la hoja de sierra, ajustar la cuña abridora o la cubierta de la hoja de sierra y dejar la máquina desatendida.** Tomar precauciones para evitar accidentes.
 - b) **Nunca permitir que la sierra circular funcione sin supervisión. Desconectar la herramienta eléctrica y no dejarla hasta que se haya detenido por completo.** Una sierra desatendida representa un peligro incontrolable.
 - c) **Colocar la sierra circular en un lugar nivelado y bien iluminado donde esté bien segura y se pueda mantener el equilibrio. El lugar de instalación debe proporcionar suficiente espacio para manejar bien el tamaño de las piezas de trabajo.** El desorden, las áreas de trabajo sin luz y los suelos irregulares y resbaladizos pueden provocar accidentes.
 - d) **Retirar regularmente las virutas y el serrín de debajo de la mesa de la sierra y/o del sistema de aspiración de polvo.** El serrín acumulado es inflamable y puede incendiarse por sí solo.
 - e) **Asegurar la sierra circular.** Una sierra circular mal asegurada puede moverse o volcar.
 - f) **Retirar las herramientas de ajuste, los restos de madera, etc. de la sierra circular de mesa antes de conectarla.** Cualquier distracción o los posibles atascos pueden ser peligrosos.

- g) **Utilizar siempre hojas de sierra del tamaño adecuado y con perforación de alojamiento adecuada (p. ej., en forma romboidal o redonda).** Las hojas de la sierra que no pertenecen a las piezas de montaje de la sierra no giran bien por lo que se pierde el control de la herramienta.
- h) **No utilizar nunca materiales de montaje de la hoja de sierra dañados o incorrectos, como bridas, arandelas, pernos o tuercas.** Este material de montaje de la hoja de sierra ha sido especialmente diseñado para que esta sierra funcione de manera segura y proporcione un rendimiento óptimo.
- i) **No subirse nunca en la sierra circular de mesa y no utilizar la sierra circular de mesa como taburete.** Se pueden producir lesiones graves si la herramienta eléctrica se vuelca o si entra en contacto de manera involuntaria con la hoja de sierra.
- j) **Asegurarse de que la hoja de sierra esté montada en el sentido de giro correcto. No utilizar muelas de lijar ni cepillos de alambre con la sierra circular de mesa.** El montaje incorrecto de la hoja de sierra o el uso de accesorios no recomendados puede provocar lesiones graves.
- 5) Instrucciones de seguridad adicionales**
1. Utilizar únicamente una hoja de sierra con los diámetros exterior y de perforación definidos en el manual de instrucciones original (apartado Características técnicas).
 2. Utilizar exclusivamente hojas de sierra marcadas con una velocidad igual o superior a la velocidad indicada en la herramienta eléctrica.
 3. Utilizar únicamente una hoja de sierra con un diámetro que se ajuste a las especificaciones de la sierra.
 4. Utilizar la hoja de sierra correcta para el material a cortar.
 5. Utilizar únicamente hojas de sierra recomendadas por el fabricante que, si están destinadas a cortar madera o materiales similares, cumplan con la norma EN 847-1.
 6. Realizar el montaje de hojas de sierra sólo si están bien afiladas, sin grietas y sin deformaciones.
 7. Sustituir inmediatamente las hojas de sierra defectuosas.
 8. La hoja de la sierra debe poder moverse sin problemas.
 9. Antes de cada uso de la sierra, comprobar que la protección de la hoja de sierra no esté dañada ni desgastada.
 10. La protección de la hoja de sierra debe bajar automáticamente por su propio peso después de cada proceso de serrado. La protección de la hoja de sierra debe levantarse cuando la pieza de trabajo se empuja hacia la hoja de sierra.
 11. Sustituir inmediatamente los dispositivos de seguridad dañados o defectuosos.
 12. Es preciso asegurarse de que todos los dispositivos que cubren la hoja de la sierra funcionen perfectamente.
 13. Los dispositivos de seguridad de la máquina no se deben desmontar o inutilizar.
 14. Una vez finalizada la reparación o el mantenimiento deberá volver a montar inmediatamente todos los dispositivos de seguridad y de protección.
 15. Cuando no se utilicen la pieza de empuje o la empuñadura para la madera de empuje, se deberán guardar en la máquina. Si no se utiliza la pieza o la madera de empuje, ponerla en su soporte.
 16. El corte de bisel y cuñas sólo está permitido con el tope auxiliar correspondiente (tope transversal).
 17. Sustituir los accesorios de mesa desgastados. – Desenchufar el aparato –
 18. En caso necesario, llevar equipos de protección personal adecuados. Estos pueden incluir los elementos siguientes:
 - a. Protección para los oídos de cara a evitar una posible sordera;
 - b. Mascarilla para evitar el riesgo de respirar polvo perjudicial.
 - c. Llevar guantes de protección para manipular hojas de sierra y materiales rugosos. Siempre que sea posible, las hojas de sierra deberán transportarse en una funda protectora.
 19. A la hora de transportar la máquina, utilizar solamente los equipos de transporte y nunca los dispositivos de seguridad para manejo o transporte.
 20. Durante el transporte, se deberá cubrir la parte superior de la hoja de la sierra, por ejemplo con el dispositivo de seguridad.
 21. Poner las instrucciones de seguridad a disposición de todas aquellas personas que trabajen con la máquina.
 22. No utilizar la sierra para serrar madera para quemar.
 23. No realizar cortes transversales con la sierra en maderas redondas.
 24. La máquina está equipada con un interruptor

- de seguridad que impide una nueva puesta en marcha inesperada después de un corte de corriente.
25. No forzar la máquina hasta el punto de que se detenga.
 26. Mantener la pieza siempre presionada contra la mesa de trabajo.
 27. Cerciorarse de que las piezas de madera cortadas no entren en contacto con la corona dentada de la hoja de la sierra y con ello salgan proyectadas.
 28. Observar en todo momento las instrucciones de seguridad, de trabajo y de mantenimiento, así como las dimensiones especificadas en las características técnicas.
 29. Respetar también las prescripciones pertinentes en materia de protección contra accidentes y los demás reglamentos en materia de seguridad.
 30. Respetar el cuaderno de instrucciones de la mutua de previsión contra accidentes.
 31. El operario debe tener como mínimo 18 años.
 32. No retirar nunca astillas sueltas, virutas o trozos de madera enganchados en la hoja de la sierra estando la misma en funcionamiento.
 33. Desconectar la máquina para reparar averías o retirar los trozos de madera enganchados.
 - Desenchufar el aparato –
 34. No distraer a las personas que estén trabajando con la máquina.
 35. Mantener el lugar de trabajo libre de desperdicios de madera y de piezas esparcidas que puedan suponer una molestia.
 36. Comprobar antes de la puesta en marcha que la tensión de la placa de identificación del aparato coincida con la tensión de la red.
 37. Emplee la sierra únicamente con un dispositivo de aspiración adecuado o un aspirador industrial convencional.
 38. Guardar las herramientas eléctricas que no se usen fuera del alcance de los niños. No permitir el uso del aparato a personas que no estén familiarizadas con él o no hayan leído estas instrucciones. Las herramientas eléctricas son peligrosas si las usan personas sin experiencia.
 39. Mantener limpias y afiladas las herramientas de corte. Las herramientas de corte bien cuidadas con cantos afilados se bloquean con menor frecuencia y pueden manejarse con mayor facilidad.
 40. Sólo especialistas cualificados deben reparar el aparato, empleando para ello sólo piezas de repuesto originales. Esta forma de proceder garantiza la seguridad del aparato.
 41. Antes de la puesta en marcha, instalar debidamente todas las cubiertas y dispositivos de seguridad.
 42. En caso de madera ya trabajada, es preciso asegurarse de que la misma no presente cuerpos extraños como, por ejemplo, clavos o tornillos.
 43. Antes de presionar el interruptor ON/OFF, cerciorarse de que la hoja de la sierra esté bien montada y de que las piezas móviles se muevan con suavidad.
 44. Mantener las empuñaduras secas, limpias y sin restos de aceite o grasa.

GUARDE ESTAS INSTRUCCIONES

2. Descripción del aparato y volumen de entrega

2.1 Descripción del aparato

1. Mesa para sierra
2. Protección para la hoja de la sierra
3. Pieza de empuje
4. Hoja de sierra
5. Cuña abridora
6. Revestimiento de mesa
7. Tope en paralelo, completo
8. Manivela
9. Palanca de fijación del ángulo de la hoja de sierra
10. Ensanche de mesa extensible
11. Interruptor ON/OFF
12. Palanca del excéntrico para tope en paralelo
13. Disco giratorio en revestimiento de mesa
14. Tope transversal
15. Tornillo para hoja de sierra
16. Adaptador de aspiración
17. Tornillo con ranura cruzada
18. Perforación en cuña abridora
19. Tornillo de fijación
20. Placa de sujeción
21. Ranura en mesa para sierra
22. Escala principal
23. Guía de corte
24. Escala adicional
25. Ranura en guía de corte
26. Tornillo moleteado para el tope en paralelo
27. Arandela para tope en paralelo
28. Tirafondo para tope en paralelo
29. Riel guía tope en paralelo
30. Llave de anillo 10/13 mm
31. Llave de anillo 10/21 mm
32. Tornillo de reglaje 0°

33. Tornillo de reglaje 45°
34. Guía de corte para tope transversal
35. Tornillo moleteado para tope transversal
36. Tornillo de fijación tope transversal
37. Colector de polvo
38. Tapa de la protección de la hoja de sierra
39. Batería (no se incluye en el volumen de entrega)
40. Alojamiento para la batería
41. Tapa para el interruptor de paro de emergencia
42. Palanca tensora para ensanche de mesa
43. Manguito roscado
44. Tuerca
45. Manguera de succión
46. Pieza intermedia
47. Indicador de capacidad de batería
48. Pulsador para indicar la capacidad de batería

2.2 Volumen de entrega

Sirviéndose de la descripción del volumen de entrega, comprobar que el artículo esté completo. Si faltase alguna pieza, dirigirse a nuestro Service Center o a la tienda especializada más cercana en un plazo máximo de 5 días laborales tras la compra del artículo presentando un recibo de compra válido.

- Abrir el embalaje y extraer cuidadosamente el aparato.
- Retirar el material de embalaje, así como los dispositivos de seguridad del embalaje y para el transporte (si existen).
- Comprobar que el volumen de entrega esté completo.
- Comprobar que el aparato y los accesorios no presenten daños ocasionados durante el transporte.
- Si es posible, almacenar el embalaje hasta que transcurra el periodo de garantía.

Peligro!

¡El aparato y el material de embalaje no son un juguete! ¡No permitir que los niños jueguen con bolsas de plástico, láminas y piezas pequeñas! ¡Riesgo de ingestión y asfixia!

- Sierra circular de mesa inalámbrica
- Protección para la hoja de la sierra
- Pieza de empuje
- Cuña abridora
- Tope en paralelo, completo
- Tope transversal
- Adaptador de aspiración
- Llave de anillo 10/13 mm
- Llave de anillo 10/21 mm
- Manual de instrucción original con instrucción de seguridad

Accesorios disponibles por separado

- 18V 1.5Ah PXC batería Li-Ion
- 18V 2.0Ah PXC batería Li-Ion
- 18V 2.5Ah PXC batería Li-Ion
- 18V 3.0Ah PXC batería Li-Ion
- 18V 4.0Ah PXC batería Li-Ion
- 18V 3.0Ah PXC Plus batería Li-Ion
- 18V 4.0Ah PXC Plus batería Li-Ion
- 18V 5.2Ah PXC Plus batería Li-Ion
- 18V 4.0Ah/6.0Ah PXC Plus batería Li-Ion
- 18V 5.0Ah/8.0Ah PXC Plus batería Li-Ion
- 18V PXC cargador rápido de doble Puerto
- 18V PXC cargador rápido

Comuníquese con su distribuidor local para obtener modelos más específicos de baterías y cargadores disponibles en su área. Explorar las opciones de batería y cargador en einhell.com

3. Uso adecuado

La sierra circular de mesa sirve para practicar cortes transversales y longitudinales (solo con tope transversal) en cualquier tipo de madera, dependiendo del tamaño de la máquina. No está permitido cortar ningún tipo de madera en tronco.

Utilizar la máquina sólo en los casos que se indican explícitamente como de uso adecuado. Cualquier otro uso no será adecuado. En caso de uso inadecuado, el fabricante no se hace responsable de daños o lesiones de cualquier tipo; el responsable es el usuario u operario de la máquina.

Tener en consideración que nuestro aparato no está indicado para un uso comercial, industrial o en taller. No asumiremos ningún tipo de garantía cuando se utilice el aparato en zonas industriales, comerciales o talleres, así como actividades similares.


Otra de las condiciones para un uso adecuado es la observancia de las instrucciones de seguridad, así como de las instrucciones de montaje y de servicio contenidas en el manual de instrucciones.

Las personas encargadas de operar y mantener la máquina deben estar familiarizadas con la misma y haber recibido información sobre todos los posibles peligros. Además, es imprescindible respetar en todo momento las prescripciones vigentes en materia de prevención de accidentes. Es preciso observar también cualquier otro reglamento general en el ámbito de la medicina laboral y técnicas de seguridad.

El fabricante no se hace responsable de los cambios que el operario haya realizado en la máquina ni de los daños que se puedan derivar por este motivo. Existen determinados factores de riesgo que no se pueden descartar por completo, incluso haciendo un uso adecuado de la máquina. El tipo de diseño y atributos de la máquina pueden conllevar los riesgos siguientes:

- Contacto con la hoja de la sierra en la zona en que se halla al descubierto.
- Entrada en contacto con la hoja de la sierra en funcionamiento (riesgo de heridas por corte).
- Rebote de las piezas con las que se está trabajando o de algunas de sus partes.
- Rotura de la hoja de la sierra.
- Proyección de partículas del revestimiento de metal duro defectuoso procedente de la hoja de la sierra.
- Lesiones del aparato auditivo por no utilizar la protección necesaria.
- Se producen emisiones de polvo de madera perjudiciales para la salud si se usa la sierra en recintos cerrados.

4. Características técnicas

Alimentación de tensión de motor:	36 V 
Velocidad en vacío n_0 :	3800 RPM (min^{-1})
Hoja de sierra de metal duro:	
.....	$\varnothing 8\text{-}\frac{1}{4}\text{"} \times \frac{5}{8}\text{"} \times 0.071\text{"}$ ($\varnothing 210 \times 16 \times 1.8\text{ mm}$)
Número de dientes:	40
Altura máx. de corte	$2\text{-}\frac{3}{4}\text{"}$ (70 mm) 90°
.....	$1\frac{3}{4}\text{"}$ (45 mm) 45°
Espesor máximo del cuerpo de la hoja de sierra.:	
.....	0.047" (1.2 mm)
Ajuste en altura máx.:	$2\text{-}\frac{3}{4}\text{"}$ (70 mm)
Hoja de la sierra orientable	$0^\circ - 45^\circ$
Tope transversal ángulo	$- 60^\circ - + 60^\circ$
Empalme para aspiración	$1\text{-}\frac{3}{8}\text{"}$ ($\varnothing 36\text{ mm}$)
Grosor de la cuña abridora	$\frac{1}{16}\text{"}$ (1,6 mm)
Peso (solo herramienta):	28,6 lb (13 kg)

La máquina está dotada con una hoja de corte fi no especial (anchura de corte 0.071" (1.8 mm)). Si se utiliza otra hoja con una anchura mayor, se pueden producir pérdidas de potencia.

Usar protección para los oídos.

La exposición al ruido puede ser perjudicial para el oído.

¡Reducir la emisión de ruido y las vibraciones al mínimo!

- Emplear sólo aparatos en perfecto estado.
- Realizar el mantenimiento del aparato y limpiarlo con regularidad.
- Adaptar el modo de trabajo al aparato.
- No sobrecargar el aparato.
- En caso necesario dejar que se compruebe el aparato.
- Apagar el aparato cuando no se esté utilizando.

Cuidado!

Riesgos residuales

Incluso si esta herramienta se utiliza adecuadamente, siempre existen riesgos residuales. En función de la estructura y del diseño de esta herramienta eléctrica pueden producirse los siguientes riesgos:

1. Lesiones pulmonares en caso de que no se utilice una mascarilla de protección antipolvo.
2. Lesiones auditivas en caso de que no se utilice una protección para los oídos adecuada.

Limitar el tiempo de trabajo.

Al hacerlo deben tenerse en cuenta todas las partes del ciclo de servicio (por ejemplo los tiempos en los que la herramienta eléctrica está desconectada y los tiempos en los que está conectada pero funciona sin carga).

5. Antes de la puesta en marcha**¡Aviso!**

Quitar siempre la batería antes de realizar ajustes en el aparato.

- Desembale la sierra circular de mesa y compruebe si existen daños eventuales ocasionados durante el transporte.
- Ponga la máquina en una posición estable, es decir, fíjela con tornillos a un banco de trabajo o a un bastidor fijo.
- Antes de la puesta en marcha, se deben instalar debidamente todas las cubiertas y dispositivos de seguridad.
- La hoja de la sierra debe funcionar con ligereza.
- En caso de madera ya trabajada, asegúrese de que la misma no presente cuerpos extraños como, por ejemplo, clavos y tornillos.
- Antes de presionar el interruptor ON / OFF, asegúrese de que la hoja de la sierra esté bien montada y de que las piezas móviles se muevan con suavidad.

6. Montaje

¡Peligro! Extraer la batería antes de proceder a la realización de cualquier tarea de mantenimiento, reequipamiento y de montaje en la sierra circular.

6.1 Colocación de la sierra circular de mesa (fig. 4-6)

- Montar el adaptador de aspiración (16) en la parte posterior de la máquina. Para ello, desmontar el tornillo en cruz (17) y deslizar el adaptador de aspiración (16) en el colector de polvo (37). Fijar el adaptador de aspiración (16) y el colector de polvo (37) con el tornillo en cruz (17).
- ¡Advertencia! Las dos llaves de anillo (30, 31) pueden guardarse en el lateral de la tapa inferior de la hoja de sierra (véase fig. 4). Tener listas las dos llaves de anillo para montar el

revestimiento de mesa (6) y la cuña abridora (5).

6.2 Montaje/cambio del revestimiento de mesa (fig. 7-8)

- Es preciso cambiar el revestimiento de la mesa siempre que presente desgaste o esté dañado ya que, de lo contrario, existe el riesgo de sufrir lesiones graves.
- Retirar la protección de la hoja de la sierra (2) (véase 6.4).
- Colocar una de las dos llaves de anillo (30/31) con el lado de 10 mm en el disco giratorio (13). Girar el disco (13) hacia la izquierda con la llave de anillo para soltar el revestimiento de la mesa.
- Extraer el revestimiento de mesa (6) gastado.
- El montaje del nuevo revestimiento de mesa se lleva a cabo realizando la misma secuencia de pasos en sentido contrario.

6.3 Montaje/cambio de la cuña abridora (fig. 9-13)

- ¡Peligro! Quitar la batería del aparato.
- Desmontar la protección de la hoja de sierra (2) y el revestimiento de mesa (6) (véase 6.4, 6.2).
- Ajustar la hoja de sierra (4) a la profundidad máxima de corte mediante la manivela (8), desplazarla a la posición 0° y bloquearla.
- Aflojar el tornillo de fijación (19) hasta que la ranura entre la placa de fijación (20) y la superficie de apoyo opuesta sea de aprox. $\frac{3}{16}$ " (5 mm).
¡Cuidado! No aflojar completamente la placa de fijación (20).
- Introducir la cuña abridora (5) en la ranura, empujarla hasta el fondo y fijarla con el tornillo de fijación (19). Asegurarse de que la cuña abridora esté montada en forma recta y no se tambalee.
- La cuña abridora (5) debe estar centrada en una línea imaginaria extendida detrás de la hoja de sierra (4), de modo que no sea posible que el material se atasque.
- La distancia entre la hoja de la sierra (4) y la cuña abridora (5) debe oscilar entre los $\frac{3}{32}$ " y los $\frac{5}{16}$ " (3 y los 8 mm) (Fig. 7)
- Volver a montar el revestimiento de mesa (6) y la protección de la hoja de sierra (2) (véase 6.2, 6.4).

6.4 Montaje/cambio de la protección de la hoja de la sierra (fig. 14)

- Colocar la protección de la hoja de la sierra (2) sobre la cuña abridora (5), de manera que el tornillo encaje en el orificio (18) de la cuña abridora.
- A continuación, introducir el tornillo en la protección de la hoja de sierra (2) a través del orificio (18) y apretarlo.
- ¡Advertencia! La profundidad máxima de atornillado viene ajustada de fábrica de forma que la protección de la hoja de sierra (2) siempre se pueda mover libremente.
- Aviso: La protección de la hoja de sierra (2) debe bajar siempre automáticamente hasta el material a serrar.

6.5 Montaje/cambio de la hoja de la sierra (fig. 15)

- Antes de cambiar la hoja de la sierra: Quitar la batería del aparato.
- Llevar guantes a la hora de cambiar la hoja de la sierra para evitar sufrir lesiones.
- Ajustar la hoja de sierra (4) a la profundidad máxima de corte con la manivela (8).
- Retirar la protección de la hoja de la sierra, el revestimiento de mesa y la cuña abridora (véase 6.4, 6.2, 6.3).
- Soltar el tornillo (15) colocando una llave (30) en el tornillo (15) y poniendo otra llave (31) en el árbol del motor para contrarrestar la fuerza.
- ¡Cuidado! Girar el tornillo (15) en el sentido de giro de la hoja de sierra.
- Retirar la brida exterior y la hoja de sierra usada (4) de la brida interior.
- Limpiar a fondo la nueva hoja de la sierra antes de proceder al montaje de las bridas.
- Volver a ajustar y apretar la nueva hoja de sierra (4) con la misma secuencia de pasos pero en sentido inverso.
- ¡Atención! Tener en cuenta el sentido de avance, la oblicuidad de corte de los dientes debe orientarse en el sentido de avance, es decir, hacia adelante (véase flecha sobre la protección de la hoja de la sierra).
- Volver a montar la cuña abridora, el revestimiento de mesa y la protección de la hoja de sierra y ajustar (véase 6.3, 6.2, 6.4).
- Antes de volver a trabajar con la sierra, compruebe la capacidad de funcionamiento de los dispositivos de protección.
- Aviso: Después de cada cambio, comprobar que la protección de la hoja de la sierra (2) se abra y cierre correctamente. Comprobar también que la hoja de la sierra (4) se mueva

libremente por la protección (2).

- Aviso: Después de cada cambio de hoja de sierra (4), comprobar si dicha hoja gira sin problemas en posición vertical, así como inclinada 45°, en el revestimiento de la mesa (6).
- Aviso: si el revestimiento de la mesa (6) está dañado o desgastado, será preciso cambiarlo de inmediato (véase 6.2).
- Aviso: La hoja de la sierra (4) se debe cambiar y alinear correctamente.

6.6 Almacenamiento de las piezas sueltas (fig. 4)

Cuando no se utilizan, el tope transversal (14), la pieza de empuje (3) y las dos llaves (30/31) se pueden fijar como se muestra en la figura 2.

6.7 Conexión para el sistema de aspiración de polvo (fig. 16-19)

El adaptador de aspiración en la carcasa (16) y la protección de la hoja de sierra (2) ofrecen una opción para conectar el sistema de aspiración de polvo.

6.8 Aspiración con aspirador en seco y húmedo (fig. 16)

- Aspirador en seco y húmedo no incluido, disponible como accesorio.
- Conectar el aspirador en seco y húmedo al adaptador de aspiración de la carcasa (16).

6.9 Aspiración con equipo de aspiración y juego de adaptadores de aspiración (fig. 17-19)

- El volumen de entrega no incluye el juego de adaptadores de aspiración con manguera de succión (45), la pieza intermedia (46) ni el equipo de aspiración, están disponibles como accesorios.
- Abrir el tornillo de la tapa (38) en la protección para la hoja de la sierra (2) con un destornillador de estrella.
- Quitar la tapa (38) de la protección para la hoja de la sierra (2).
- Conectar la pieza intermedia (b) en el adaptador de aspiración de la carcasa (16).
- Conectar la protección para la hoja de la sierra (2) y la pieza intermedia (46) con la manguera de aspiración (45).
- Ahora se puede conectar un equipo de aspiración al diámetro de 100 mm de la pieza intermedia (46).

7. Manejo

7.1 Interruptor ON/OFF (fig. 20/pos. 11)

- La sierra se conecta presionando la tecla verde „I“. Antes de empezar a serrar, esperar hasta que la hoja de la sierra haya alcanzado su máxima velocidad.
- La tecla roja „0“ queda protegida por la tapa para el interruptor (41). Para apagar la sierra, pulsar la tapa del interruptor „OFF“ (41).

7.2 Profundidad de corte (fig. 21-22)

Girando la manivela (8), se puede ajustar la hoja de la sierra (4) a la profundidad de corte deseada.

En sentido contrario a las agujas del reloj:

Menor profundidad de corte

En sentido horario:

Mayor profundidad de corte

7.3 Tope en paralelo

Para realizar cortes longitudinales en piezas de madera, se habrá de utilizar el tope en paralelo (7).

7.4 Altura de tope (fig. 23-24)

- El tope en paralelo (7) suministrado debe utilizarse para realizar cortes longitudinales en materiales finos con la guía de corte (23) (véase fig. 25).
- Para fijar la guía de corte (23) al tope en paralelo (7), aflojar los dos tornillos moleteados (26). A continuación, enfilear la guía de corte (23) con la ranura (25) en los tirafondos (28) y fijarla con los tornillos moleteados (26) y las arandelas (27).
- El tope en paralelo (7) sin la guía de corte (23) se utiliza para realizar cortes longitudinales en de piezas de madera más gruesas (véase fig. 26). Para ello, es preciso desmontar los tirafondos (28), las arandelas (27) y los tornillos moleteados (26).
- ¡Aviso! Cuando se use la guía de corte (23) deberá estar siempre atornillada en el lado del tope en paralelo (7) que apunta a la hoja de sierra.

7.5 Anchura de corte (fig. 25-27)

- Se puede proceder al montaje del tope en paralelo (7) a ambos lados de la mesa para sierra (1).
- El tope en paralelo (7) debe utilizar el riel guía

(29) de la mesa para sierra (1).

- Presionando la palanca del excéntrico (12) se puede inmovilizar el tope en paralelo (7) en la posición deseada.

Con el ensanche de mesa (10) introducido o con anchuras de corte inferiores a 10":

- Utilizar la escala principal (22) en el riel guía (29) para fijar el tope en paralelo (7) en la medida deseada.

Con el ensanche de mesa (10) extraído o con anchuras de corte superiores a 10":

- Poner el tope en paralelo (7) en el ángulo de 25 cm usando la escala principal (22) y fijarlo con la palanca excéntrica (12).
- Para aumentar la anchura de corte ahora, ajustar la anchura de corte restante tirando del ensanche de mesa (10) (véase 7.9).
- Comprobar la anchura de corte total establecido en la escala adicional (24). ¡Advertencia! Para asegurar que la medida de corte en la escala adicional (24) sea correcta, el tope en paralelo (7) debe fijarse en la escala principal (22) con la medida definida de 10".

No recomendamos usar el riel de tope (23) para anchos de corte de más de 10".

7.6 Ajuste de la longitud de tope (fig. 28)

- Para evitar que se atasque el material a cortar, la guía de corte (23) se puede desplazar en sentido longitudinal.
- Regla general: El extremo posterior del tope queda obstaculizado en una línea determinada que comienza aprox. en la mitad de la hoja de la sierra y que se desplaza hacia atrás por debajo de los 45°.
- Ajuste del ancho de corte necesario
 - Aflojar los tornillos moleteados (26) y desplazar la guía de corte (23) hasta alcanzar la línea establecida de 45°.
 - Volver a apretar los tornillos moleteados (26).

7.7 Tope transversal (fig. 29)

Para realizar cortes transversales en piezas de madera, se habrá de utilizar el tope transversal (14).

- Colocar el tope transversal (14) en la ranura (21) de la mesa para sierra.
- Soltar el tornillo de ajuste (36).
- Girar la guía de corte (34) hasta que la flecha indique la medida angular deseada.
- Volver a apretar el tornillo de ajuste (36).

- Comprobar la distancia entre la guía de corte (34) y la hoja de sierra (4).
- ¡Aviso! No desplazar demasiado la guía de corte (34) en dirección a la hoja de la sierra (4). La distancia entre la guía de corte (34) y la hoja de la sierra (4) debería alcanzar unos $\frac{1}{4}$ " (2 cm).
- En caso necesario, aflojar los dos tornillos moleteados (35) y ajustar la guía de corte (34).
- Volver a apretar los tornillos moleteados (35).

7.8 Ajuste del ángulo (fig. 21-22)

- Aflojar la palanca de fijación (9) (véase fig. 23).
- Ajustar el ángulo de la hoja de sierra empujando la manivela (8) hasta que el indicador corresponda al ángulo deseado en la escala angular.
- Fijar la medida angular apretando la palanca de fijación (9) (véase fig. 22).
- En caso necesario, el tope final para el ajuste del ángulo de la hoja de sierra se puede reajustar a 0° y 45°. Para ello, ajustar los dos tornillos de reglaje (32) y (33).

7.9 Cómo ajustar el ensanche de mesa (fig. 32-33)

- El ensanche mesa (10) en la mesa para sierra (1) se debe sacar hacia la derecha.
- La palanca tensora (42) debe apuntar en dirección contraria a la sierra circular de la mesa para poder desplazar en ensanche de mesa (10) (véase fig. 30).
- Para bloquear el ensanche de mesa (10) en una posición determinada, la palanca tensora (42) debe apuntar hacia la máquina (véase fig. 31).
- Si se utiliza el tope en paralelo con el ensanche de mesa (10) extraído, el tope en paralelo (7) debe ajustarse a la medida de 10" de la escala principal (22).
- ¡Peligro! Un tope en paralelo (7) mal fijado puede provocar un contragolpe.
- ¡Aviso! Especialmente con los ensanches de la mesa sacados, asegurarse siempre de que la pieza de trabajo se apoye firmemente en la mesa de la sierra y de que no se atasque.
- Si es necesario, se puede reajustar la fuerza de sujeción de la palanca tensora (42). Para ello, aflojar la tuerca (44) y enroscar o desenroscar el manguito roscado (43) hasta conseguir la fuerza de sujeción deseada. A continuación, fijar el manguito roscado (43) de nuevo con la tuerca (44).

7.10 Cómo cargar la batería de litio (no incluido en el volumen de entrega)

Las instrucciones correspondientes se encuentran en el manual de instrucciones original del cargador.

7.11 Indicador de capacidad de batería (fig. 42/pos. 47)

Pulsar el interruptor para acceder al indicador de capacidad de la batería (48). El indicador de capacidad de batería (47) le indica el estado de carga de la batería sirviéndose de 3 LEDs.

Los 3 LED están iluminados:

La batería está completamente cargada.

2 o 1 LED están iluminados

La batería dispone de suficiente carga residual.

1 LED parpadea:

La batería está vacía, es preciso cargarla.

Si todos los LED parpadean:

La temperatura de la batería es demasiado baja. Quitar la batería del aparato y dejarla durante un día a temperatura ambiente. Si vuelve a aparecer el fallo, la batería se ha descargado completamente y está defectuosa. Quitar la batería del aparato. Está prohibido emplear o cargar una batería defectuosa.

8. Servicio

Aviso!

- Le recomendamos que realice un corte de prueba después de cada reajuste para comprobar las medidas ajustadas.
- Una vez conectada la sierra, espere hasta que la hoja de la sierra haya alcanzado su velocidad máxima, antes de practicar el corte.
- ¡Preste atención al iniciar los cortes!
- Operar el aparato solo conectado a una aspiradora.
- Comprobar y limpiar periódicamente los canales de aspiración.

8.1 Ejecución de cortes longitudinales (fig. 34-35)

Aquí nos referiremos al corte de piezas a lo largo del eje longitudinal. Se presiona un borde de la pieza con la que se esté trabajando contra el tope en paralelo (7), mientras que el lado liso se encontrará situado sobre la mesa para sierra (1).

Es preciso bajar la protección de la hoja (2) sobre la pieza a trabajar cada vez que se utilice la sierra.

La posición de trabajo durante los cortes longitudinales no ha de llevarse bajo ningún pretexto en línea con el avance de corte.

- Ajuste el tope en paralelo (7) según la altura de la pieza y el ancho deseado. (véase fig. 7.3.)
- Conecte la sierra.
- Coloque las manos con los dedos apretados sobre la pieza e introduzca ésta en el tope en paralelo (7) a lo largo de la hoja de la sierra (4).
- Desplazamiento lateral con la mano izquierda o derecha (dependiendo de la posición del tope en paralelo) únicamente hasta el borde delantero de la cubierta de protección.
- El material a cortar debe siempre pasar hasta el final de la cuña abridora (5).
- Los recortes permanecen en la mesa (1) hasta que la hoja de la sierra (4) haya vuelto a la posición de reposo.
- Asegure las piezas largas que desee cortar para evitar que se caigan al finalizar el proceso de corte. (p. ej., soporte largo, etc.)

8.2 Corte de piezas delgadas (fig. 36)

Los cortes longitudinales de piezas con un ancho inferior a 5.9" (150 mm) deben realizarse imprescindiblemente con la ayuda de una pieza de empuje. Pieza de empuje incluida en el volumen de entrega. Cambie de inmediato las piezas de empuje gastadas o deterioradas.

8.3 Corte de piezas muy finas (fig. 37)

- Es imprescindible utilizar una pieza de empuje para practicar cortes longitudinales en piezas muy delgadas con un ancho igual o inferior a 2" (50 mm).
- Es preferible utilizar entonces la superficie guía inferior del tope en paralelo.
- ¡La madera de empuje no se incluye en el volumen de entrega! (disponible en tiendas especializadas). Sustituya oportunamente la madera de empuje gastada.

8.4 Ejecución de cortes de sierra (fig. 38)

Para practicar cortes oblicuos se utilizará siempre el tope en paralelo (7).

Si se inclina la hoja de la sierra (4) a la izquierda durante los cortes oblicuos, colocar el tope en paralelo (7) en el lado derecho de la hoja de la sierra (4). Guiar la pieza de trabajo entre la hoja de la sierra (4) y el tope en paralelo (7).

- Ajuste la hoja de la sierra (4) a la medida angular deseada. (véase 7.5.)
- Ajuste el tope en paralelo (7) según el ancho y la altura de la pieza de trabajo (véase 7.3).
- Practique el corte en función del ancho de la pieza de trabajo (véase 8.1.1., 8.1.2.)

8.5 Ejecución de cortes transversales (fig. 39-40)

- Introduzca el tope transversal (14) en una de las dos ranuras (21) de la mesa para sierra (21) y ajústelo a la medida angular deseada. (véase 7.4.)
- Presione con firmeza la pieza de trabajo contra el tope transversal (14).
- Conecte la sierra.
- Desplace el tope transversal (14) y la pieza de trabajo en la dirección de la hoja de la sierra para practicar el corte.
- **Aviso!** Sujete firmemente la pieza de trabajo indicada en todo momento, nunca deje suelta aquella pieza que se vaya a cortar.
- Desplace siempre hacia adelante el tope transversal (14) hasta que la pieza haya sido cortada por completo.
- Vuelva a desconectar la sierra. Retire los recortes únicamente cuando la hoja de la sierra se haya parado por completo.

9. Mantenimiento y limpieza

Peligro!

Desenchufar la batería antes de realizar trabajos de limpieza.

Extraer la batería antes de realizar cualquier ajuste, reparación o puesta a punto.

9.1 Limpieza

- Reducir al máximo posible la suciedad y el polvo en los dispositivos de seguridad, las rendijas de ventilación y la carcasa del motor. Frotar el aparato con un paño limpio o soplarlo con aire comprimido manteniendo la presión baja.
- Se recomienda limpiar el aparato tras cada uso.
- Limpiar el aparato con regularidad con un paño húmedo y un poco de jabón blando. No utilizar productos de limpieza o disolventes ya que se podrían deteriorar las piezas de plástico del aparato. Es preciso tener en cuenta que no entre agua en el interior del aparato. Si entra agua en el aparato eléctrico existirá mayor riesgo de una descarga eléctrica.
- Limpiar periódicamente el colector de polvo (37). Para ello, abrir el tornillo en cruz (17) y sacar el colector de polvo (37) hacia la parte posterior de la máquina (fig. 41). Limpiar cuidadosamente el colector de polvo (37) y volver a colocarlo en la sierra circular en orden inverso.

9.2 Mantenimiento

No hay que realizar el mantenimiento a más piezas en el interior del aparato.

10. Eliminación y reciclaje

El aparato está protegido por un embalaje para evitar daños producidos por el transporte. Este embalaje es materia prima y, por eso, se puede volver a utilizar o llevar a un punto de reciclaje. El aparato y sus accesorios están compuestos de diversos materiales, como, p. ej., metal y plástico. Los aparatos defectuosos no deben tirarse a la basura doméstica. Para su eliminación adecuada, el aparato debe entregarse a una entidad recolectora prevista para ello. En caso de no conocer ninguna, será preciso informarse en el organismo responsable del municipio.

11. Almacenamiento

Guardar el aparato y sus accesorios en un lugar oscuro, seco, protegido de las heladas e inaccesible para los niños. La temperatura de almacenamiento óptima se encuentra entre los 41°F y 86°F (5 y 30 °C). Guardar la herramienta eléctrica en su embalaje original.

Sólo está permitido copiar la documentación y documentos anexos del producto, o extractos de los mismos, con autorización expresa de Einhell Germany AG.

Nos reservamos el derecho a realizar modificaciones técnicas



A series of horizontal lines for writing, starting with two lines that are slightly indented from the left margin, followed by a series of lines that span the width of the page.



A series of horizontal lines for writing, starting from the top right and extending down to the bottom of the page.



A series of horizontal lines for writing, starting from the top right of the page and extending downwards. The first line is partially obscured by the pencil illustration.



A series of horizontal lines for writing, starting from the top right and extending down to the bottom of the page.



www.Einhell.com

EH 10/2022 (01)