



CinHELL

BLUE

BT-WW 1000 Woodworking Lathe

Art.-No. 43.121.02

The lathe type BT-WW 1000 will serve even the more ambitious do-it-yourself man.

Many beautiful items like bowl, plates or staircase posts and candleholders can be made with its many accessories. The 4 fold speed setting enables to prepare the wood to be shaped in the best possible way. The sturdy framework made of 4 rectangular tubes give it sufficient strength to avoid warping and stability for the tailstock spindle. The no-load safety switch and the safety switch in the V-belt compartment provide additional safety for the user.

Features

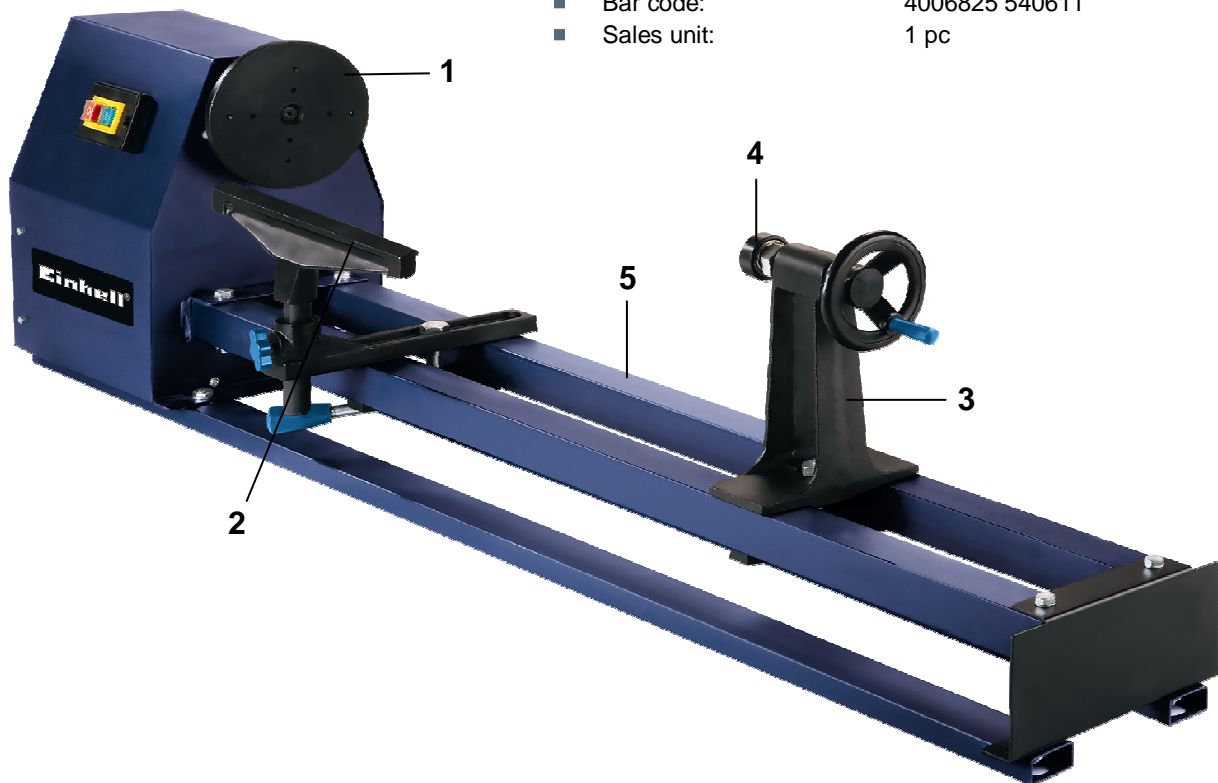
- Flat disc plate (1)
- Tool rest (2)
- Tailstock (3) with self centring, turning spindle (4)
- Sturdy frame (5)
- Head-on support
- Durable 4-fold settings v-belt drive

Technical data

- AC-motor: 230 V ~ 50 Hz
- Power: 350 W S2 30 min
- Turning diameter max.: 356 mm
- Spindle length: 1,000 mm
- Spindle speed: 810 / 1,180 / 1,700 / 2,480 min⁻¹
- Product weight: 27.5 kg

Logistic data

- Net weight: 32.0 kg
- Gross weight: 38.0 kg
- Packing dimensions: 1,500 x 230 x 260 mm
- Bar code: 4006825 540611
- Sales unit: 1 pc



As accessories available:

Professional wood turning tools - 5 pcs

Art.-No.: 43.112.00

Bar code: 4006825 431551