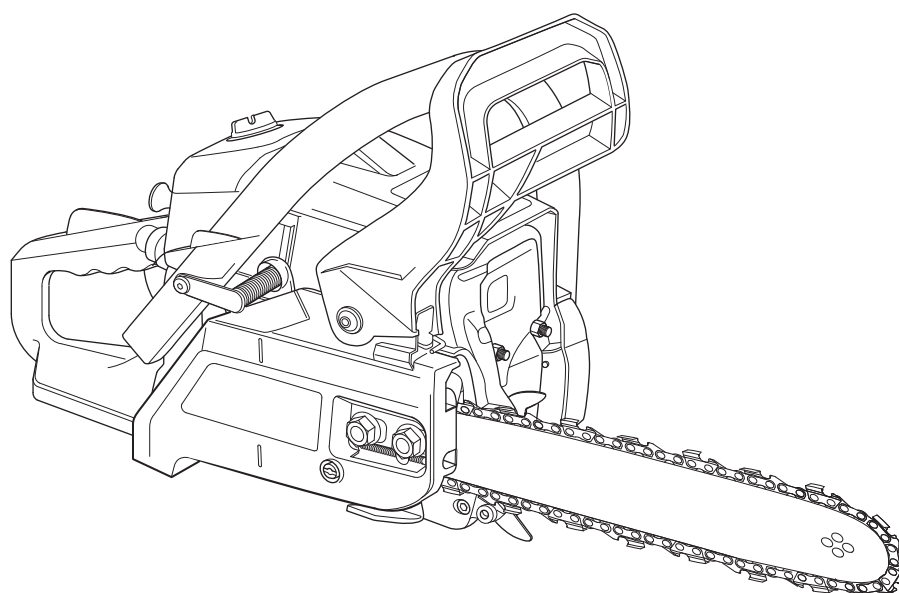


Spear & Jackson 37 cc Petrol Chainsaw Original Operating Instructions

Assembly Manual



 **SPEAR & JACKSON**

After Sales Support

UK/Ireland	0151 649 1500
Republic of Ireland	1890 946 244
Web	www.einhell.co.uk

Important - Please read these instructions fully before starting assembly

These instructions contain important information that will help you get the best from your chainsaw, ensuring it is assembled correctly and safely.

If you need help or have damaged or missing parts, call the Customer Helpline on **0151 649 1500**.

Contents

Safety Information.....	3
Warnings Symbols.....	3
General Safety	3
Personal Safety.....	3
In the Box	4
Parts	4
Tools	4
Assembly	5
Preparing to assemble the chainsaw	5
Step 1	5
Step 2	8
Step 3	9
Step 4	11
Step 5	13
Step 6	14
Step 7	16
Getting Help	16

Useful Information

Useful Information

Type of Machine	SPJCS 3740/1
Article Number of Machine	4501643
Identification Number of Machine	11011

Manufacturer: ISC GmbH, International Service Center, Eschenstraße 6, 94405, Landau/Isar, Germany



Safety Information

Important - Please read these instructions fully before starting assembly

Warnings Symbols

The following warning symbols appear throughout this assembly manual and indicate the appropriate safety measures you should take when assembling and operating the chainsaw.



This symbol indicates there is a danger of serious personal injury or death if you do not observe the warning.



This symbol indicates that there is a danger of damaging your hands if you do not wear thick, hard wearing gloves.

General Safety



WARNING! Keep this assembly manual in a safe place following assembly for reference at a later date.



WARNING! Always ensure anyone intending to operate this chainsaw is fully conversant with the contents of this assembly manual prior to assembling, maintaining or operating the chainsaw.



WARNING! Perform assembly operations described in this manual. Failure to observe this warning may lead to serious injury, death, or damage to the chainsaw.



WARNING! Always take care when removing the packaging to prevent damage to yourself or to the chainsaw.



IMPORTANT! Before assembling the chainsaw, check all the parts indicated in the manual are in the box. Inspect all the parts for signs of damage. Do not assemble the chainsaw if you observe any damaged components.



IMPORTANT! Do not start the engine until the saw is fully assembled.



NOTE! This chainsaw complies with the Noise Emission Directive 2000/14/EC.

Personal Safety



WARNING! Only operate the chainsaw if you are wearing the correct Personal Protective Equipment (PPE) as described in the following warnings.



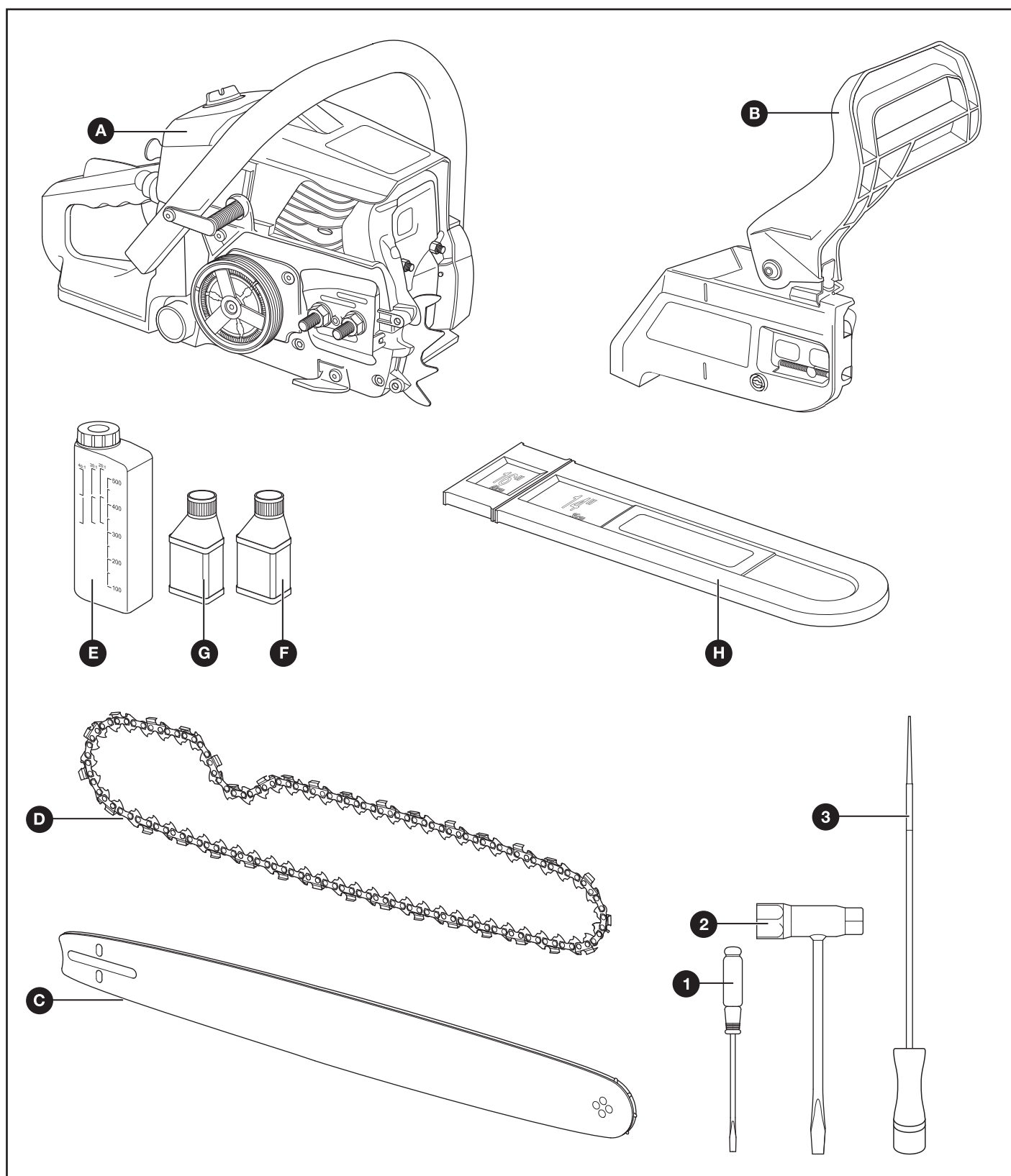
WARNING! Always wear suitable gloves when operating chainsaw to protect your hands from flying debris and/or sharp objects. It is particularly important to wear protective gloves when assembling or maintaining the saw chain.

In the Box

Parts

Tools

- | | | | |
|-------------------------------------|---------------------------|------------------------------|----------------------------|
| A Main body assembly | C Guide bar | F Chain oil | 1 Small screwdriver |
| B Chain brake lever assembly | D Saw chain | G 2-stroke engine oil | 2 Multi tool |
| E Fuel mixing canister | H Protective cover | | 3 Chain file |



Assembly

Preparing to assemble the chainsaw



WARNING! Always take care when removing the packaging to prevent damage to yourself or to the chainsaw.



IMPORTANT! Before assembling the chainsaw, check all the parts indicated in the manual are in the box. Inspect all the parts for signs of damage. Do not assemble the chainsaw if you observe any damaged components.

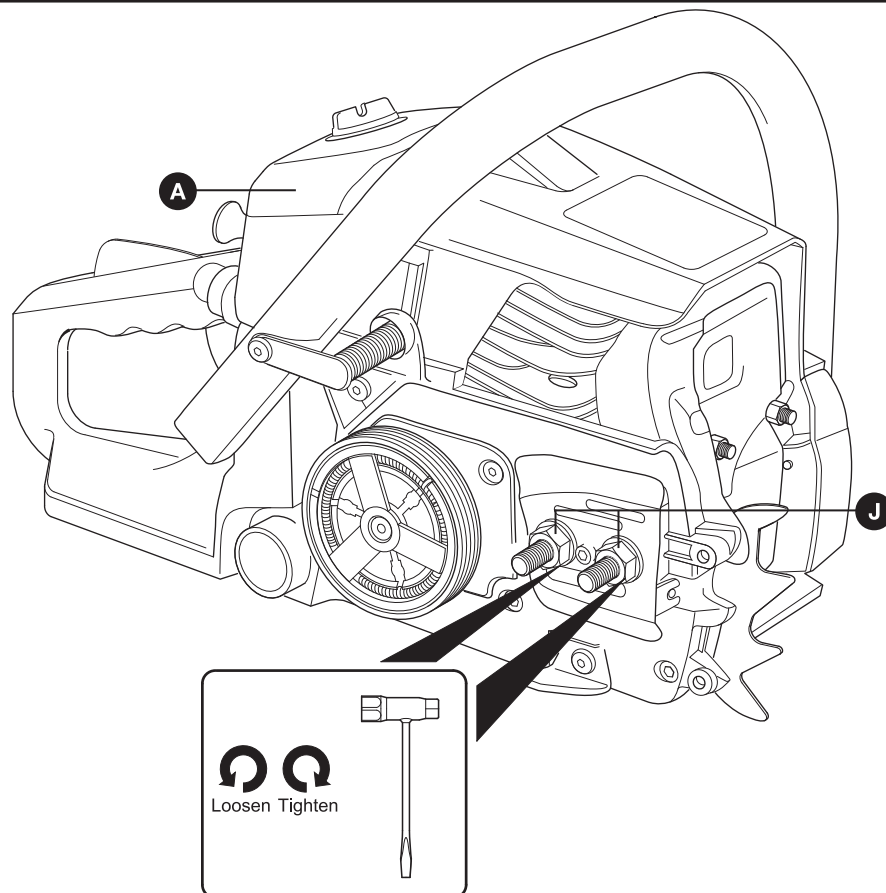
1. Remove all parts of the chainsaw from the box and carefully remove all packaging. Take care not to lose any instructions which may be affixed to the parts. These provide important information which will be required while assembling the chainsaw.
2. Keep all packaging until the chainsaw is fully assembled and has been operated successfully.



NOTE! Always recycle the packaging in accordance with local recycling schemes.

Step 1

1a



1a. Remove the guide bar fastening nuts



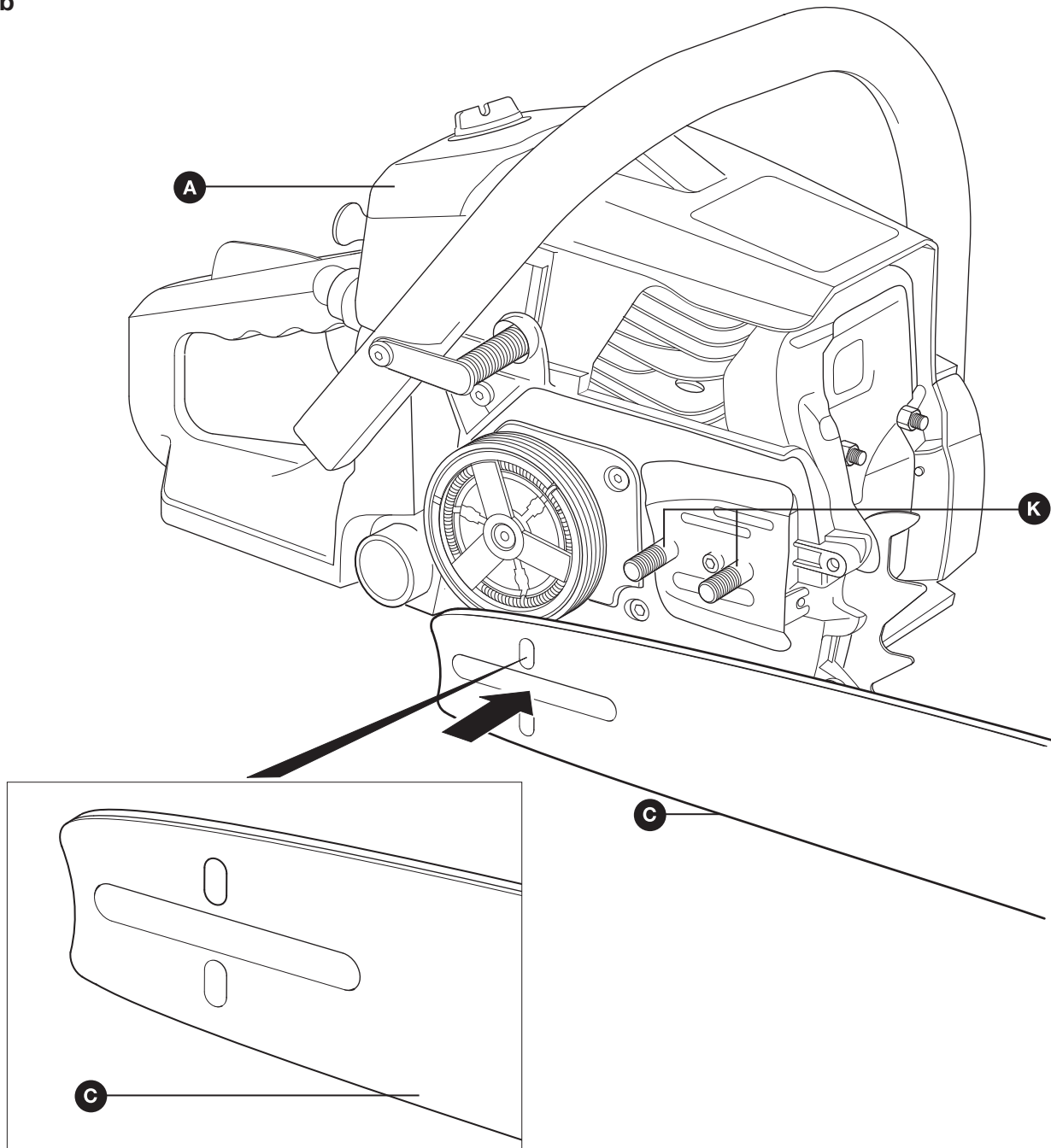
IMPORTANT! Take care when removing the guide bar fastening nuts not to lose the information label. This provides important information relating to the fitting of the saw chain.

Using the supplied multi tool, unscrew the two guide bar fastening nuts **J**.

Assembly

Step 1 (continued)

1b



1b. Fit the guide bar



CAUTION! The guide bar is not securely fixed to the main body when this step is completed. Take care when carrying out the next steps not to drop the guide bar.

Ensure the oiling hole of the guide bar **C** is kept clear of dirt and any build-up of residue.

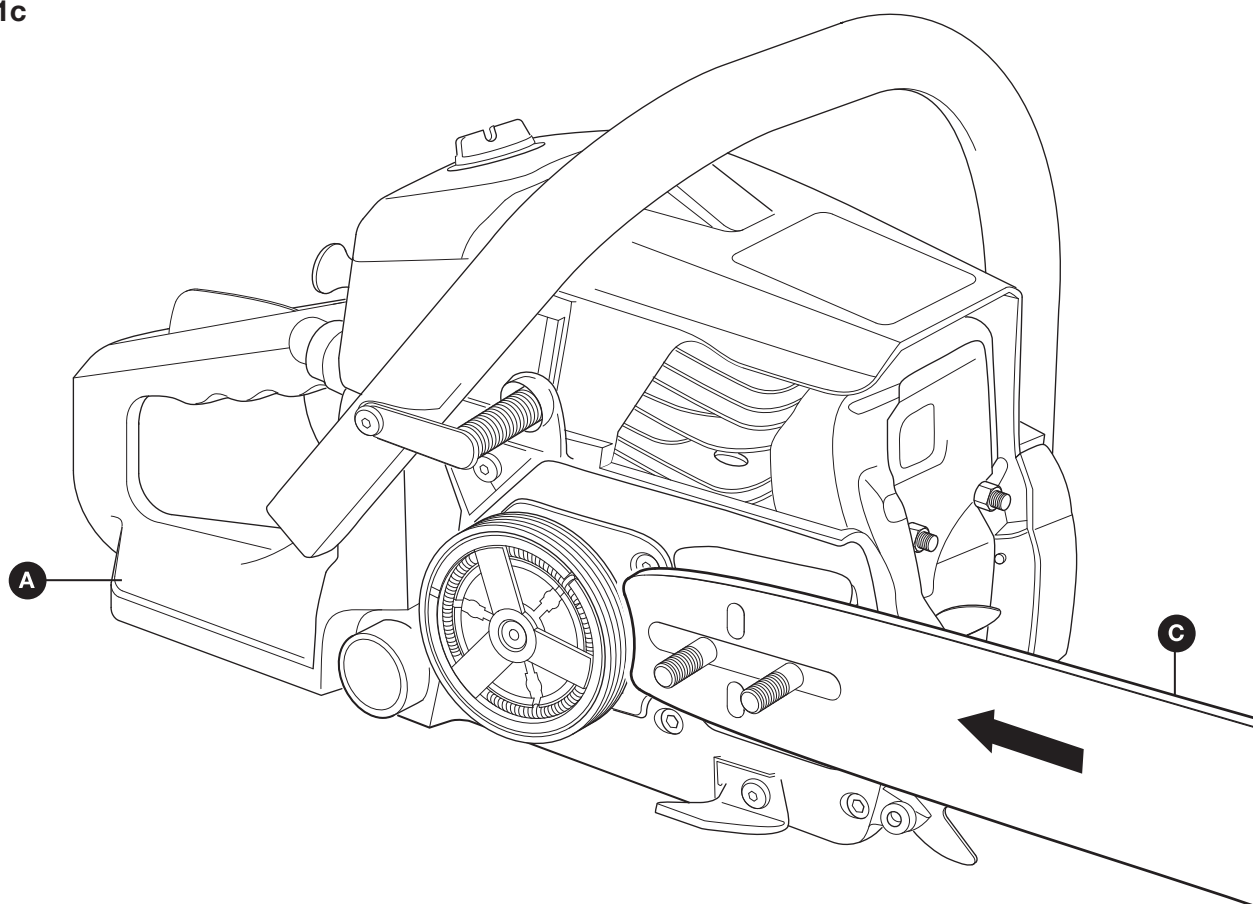
Align the large horizontal slot of the guide bar **C** with the location pins **K**.

Push the guide bar fully against the main body **A**.

Assembly

Step 1 (continued)

1c



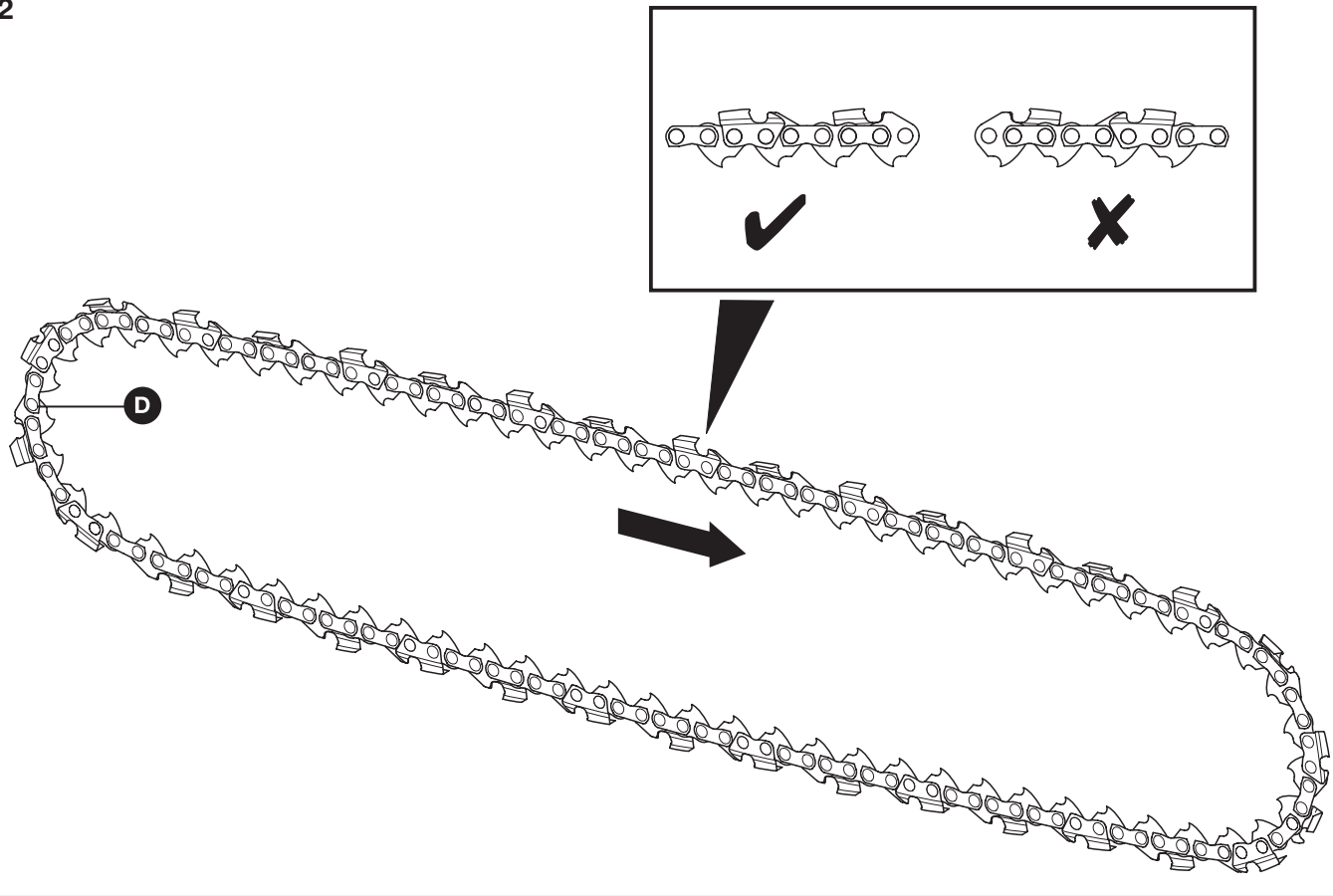
1c. Position the guide bar backwards

Carefully push the guide bar **C** towards the rear of the main body **A** as far as it will go.

Assembly

Step 2

2



2. Check the saw chain orientation

Unravel the saw chain **D** and spread it out on a flat and level surface.

Check the orientation of the cutting edges. These must be facing forwards in the direction of rotation as shown above and on the information label.

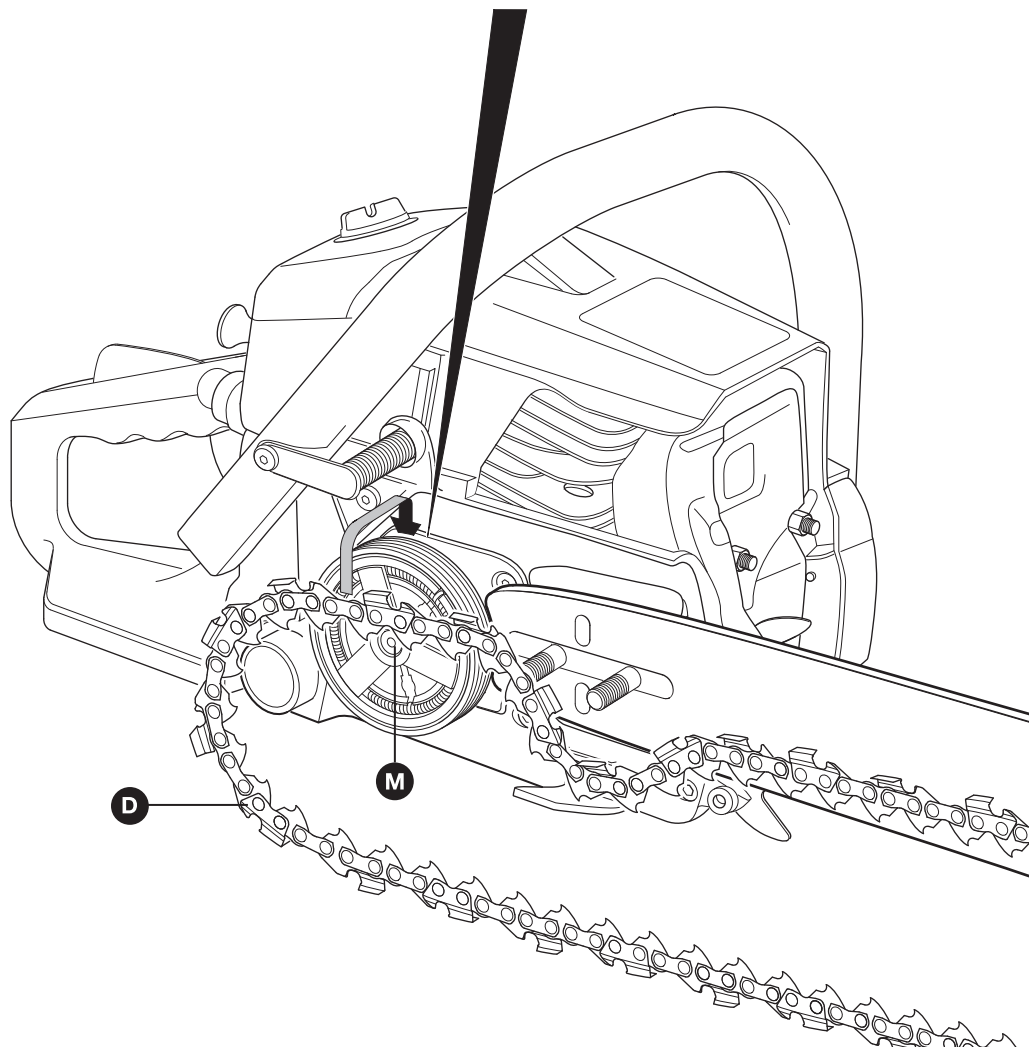
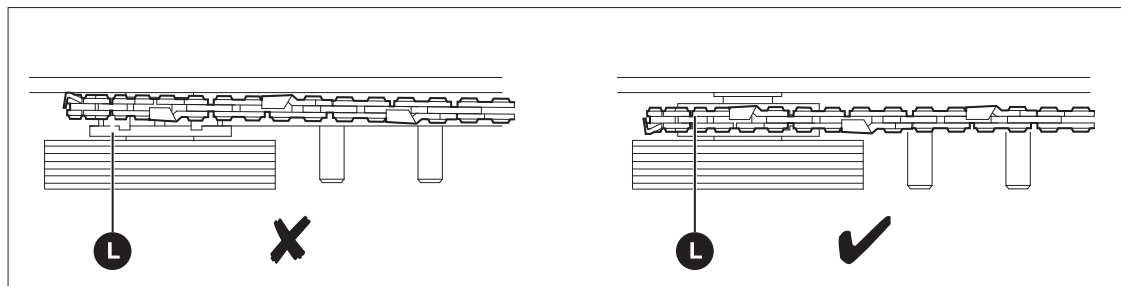


CAUTION! If the saw chain is in the incorrect orientation, the chainsaw may operate but it will fail to cut. In addition, the chainsaw may be irreparably damaged.

Assembly

Step 3

3a



3a. Place the saw chain onto the drive sprocket



WARNING! Always wear suitable gloves when assembling or maintaining the saw chain.



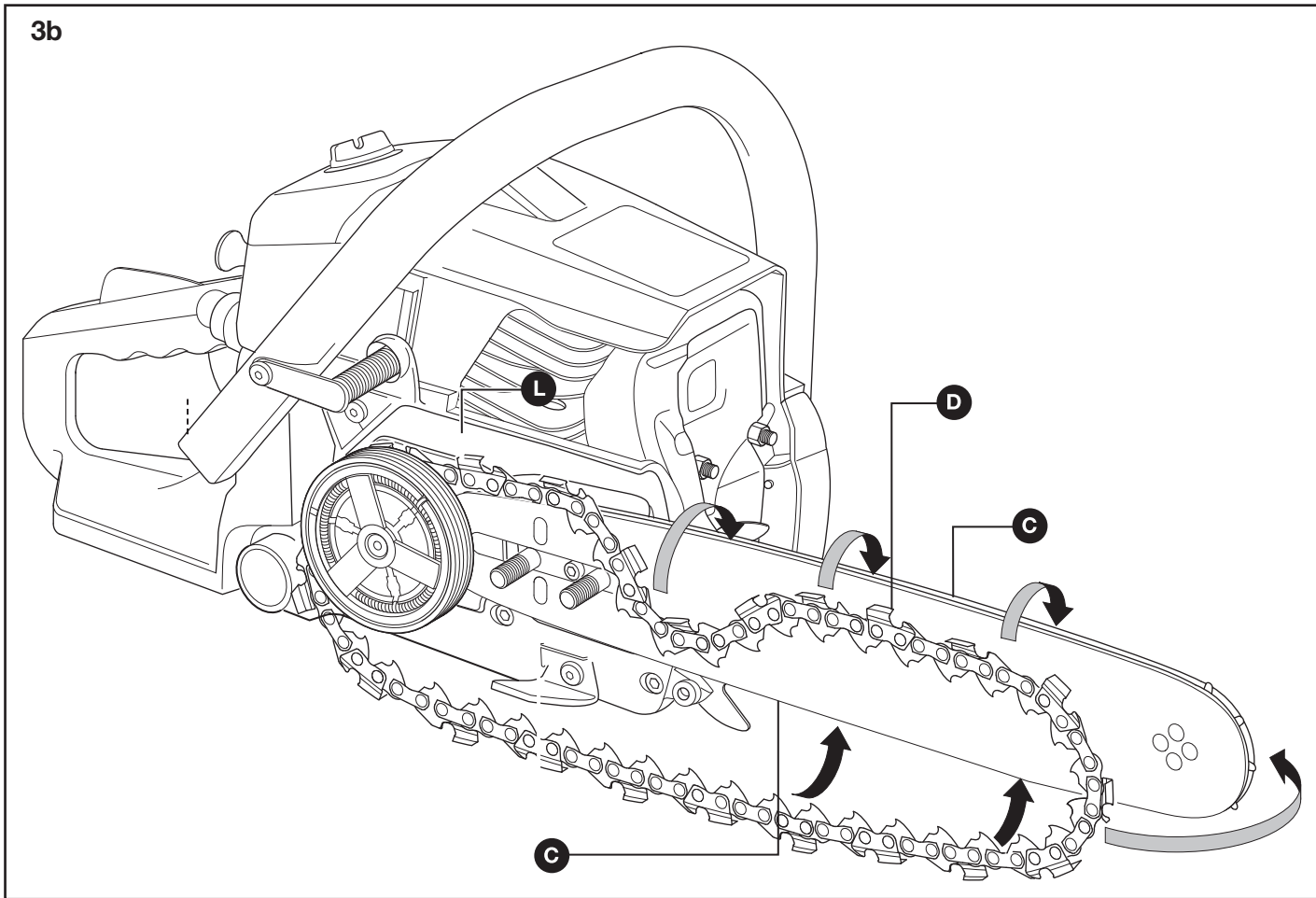
NOTE! Ensure the saw chain is in the correct orientation as described in step 2 before fitting to the drive sprocket.

Wearing suitable gloves, carefully lift one end of the saw chain **D** over the clutch **M** and place onto the drive sprocket **L**. Ensure the teeth on the underside of the saw chain **D** fit correctly into the slots on the drive sprocket **L**.

Assembly

Step 3 (continued)

3b



3b. Feed the saw chain around the guide bar

Once the saw chain **D** is correctly fitted onto the drive sprocket **L**, continue to feed the saw chain **D** along the upper surface and nose of the guide bar **C**. The teeth of the saw chain **D** must be correctly seated in the groove of the guide bar **C**.

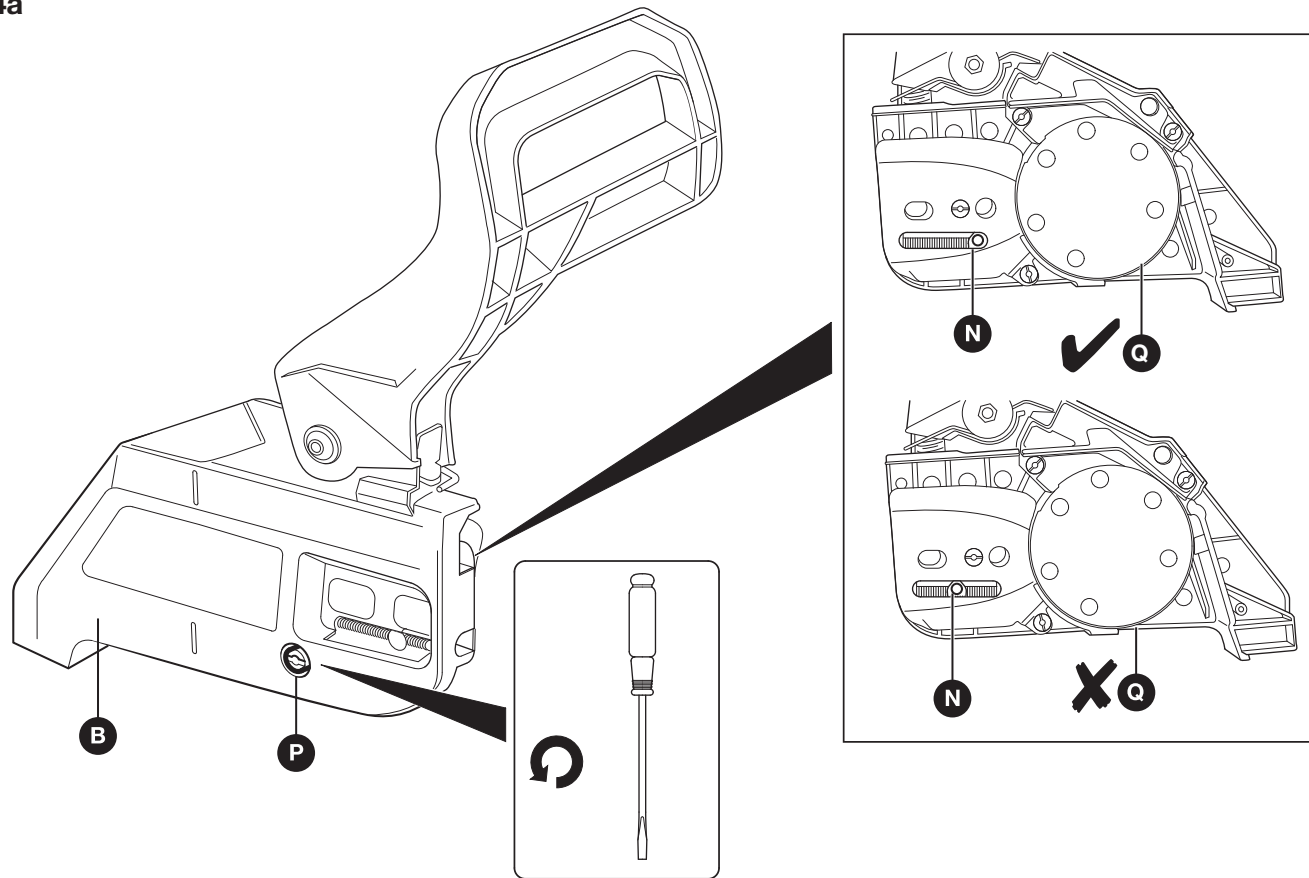


NOTE! The saw chain **D** may hang off the bottom of the guide bar. This is normal.

Assembly

Step 4

4a



4a. Adjust the tensioning bar position

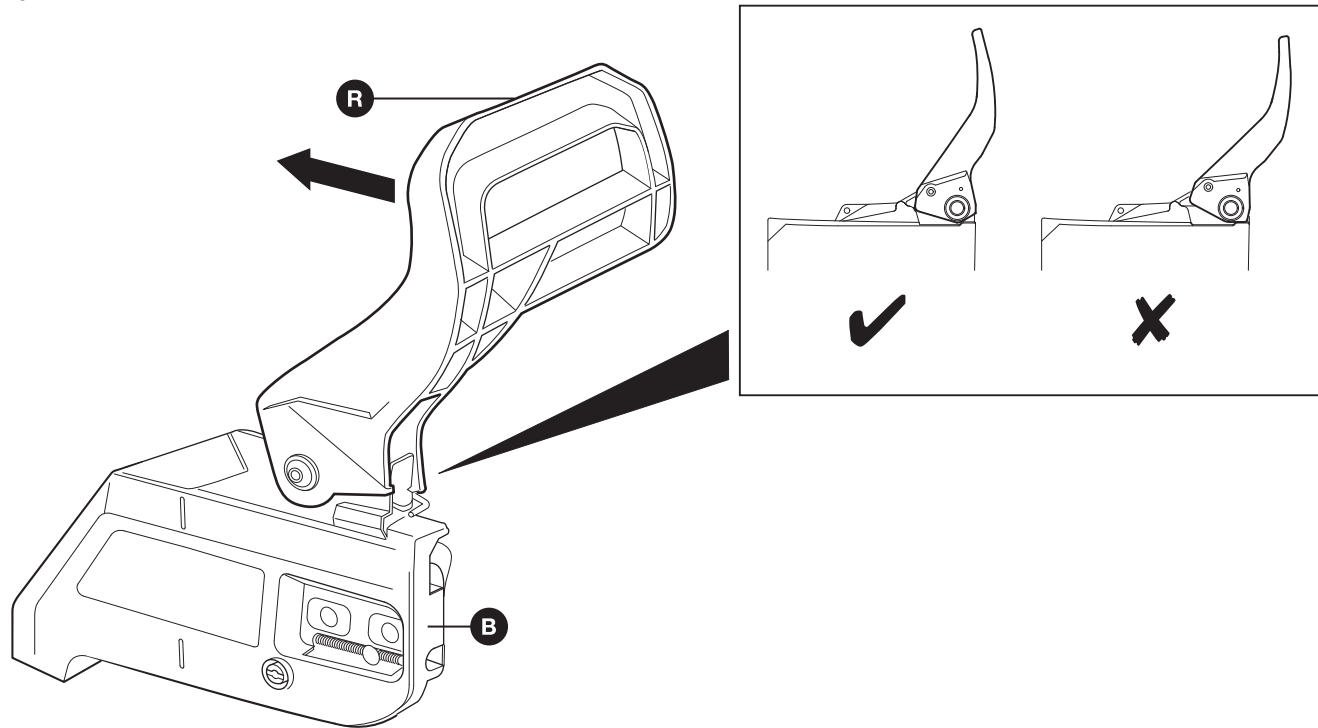
Before the chain brake lever assembly **B** can be fitted to the main body assembly **A**, the tensioning bar **N** (part of the chain brake lever assembly) must be adjusted.

Using a screwdriver or the multi tool blade, turn the tension adjustment screw **P** anti-clockwise until the tensioning bar **N** is at the end of its travel towards the circular brake band **Q**.

Assembly

Step 4 (continued)

4b



4b. Ensure the chain brake is disengaged



NOTE! The chain brake lever assembly may be supplied with chain brake lever in the disengaged position.

Place the chain brake lever assembly **B** on a firm and level surface.

While grasping the back of the chain brake lever assembly **B** firmly with one hand, pull the chain brake lever **R** fully backwards with your other hand.

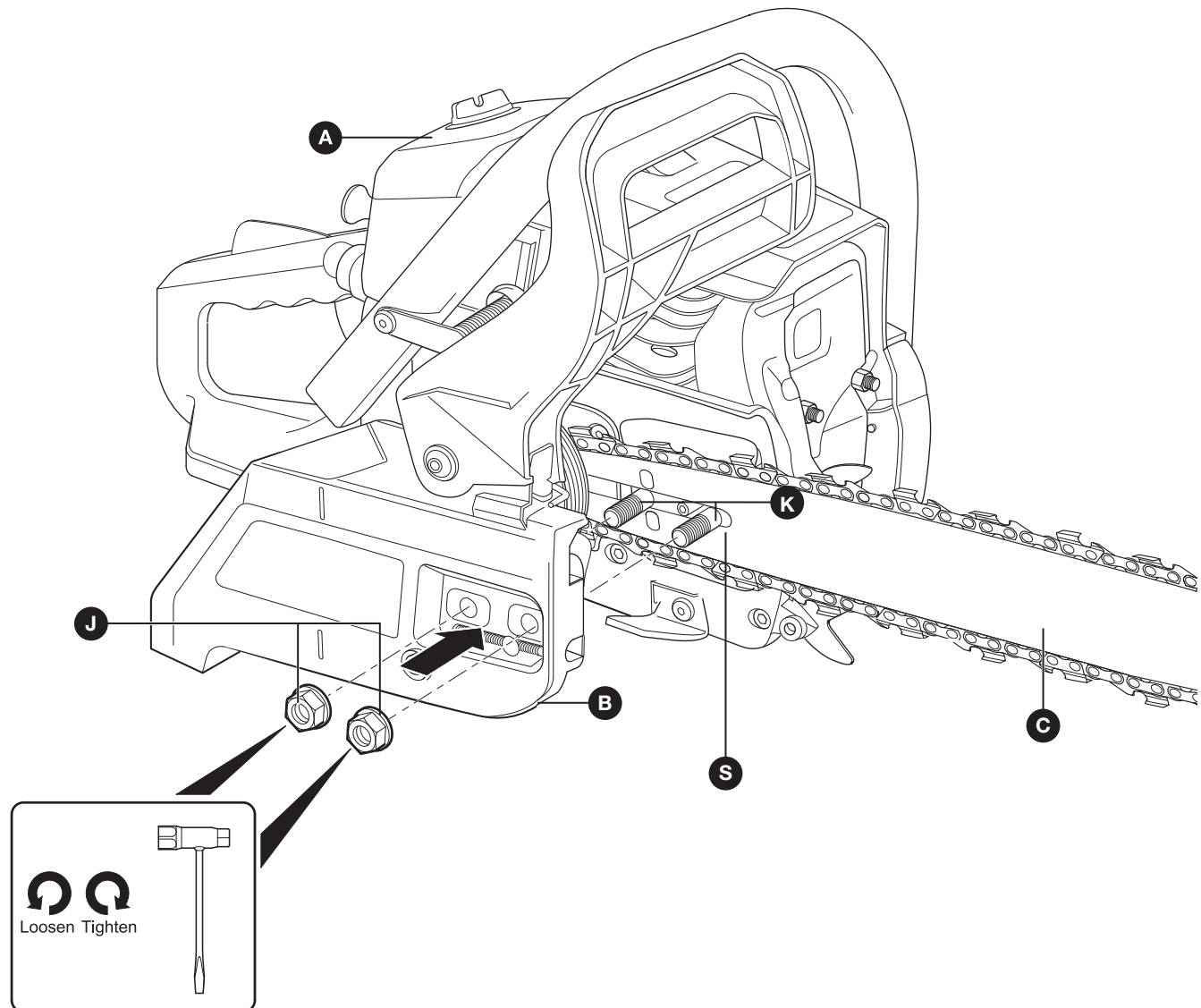


IMPORTANT! Disengaging the chain brake when not fully assembled requires considerable force.

Assembly

Step 5

5



5. Fit the chain brake lever assembly



IMPORTANT! When fitting the chain brake lever assembly **B**, take care not to trap the rubber strip against the side of the main body assembly **A**. The rubber strip must remain perpendicular to the side of the chain brake lever assembly.

IMPORTANT! While fitting the chain brake lever assembly **B**, the guide bar **C** and saw chain **D** must not move.

Assembly

Step 5 (continued)



IMPORTANT! Do not fully tighten the guide bar fastening nuts **J**. They must remain loose enough to allow the position of the guide bar **C** to be adjusted in the following step.

Align the holes in the chain brake lever assembly **B** with the location pins **K**.

Push the chain brake lever assembly **B** fully against the main body **A**.

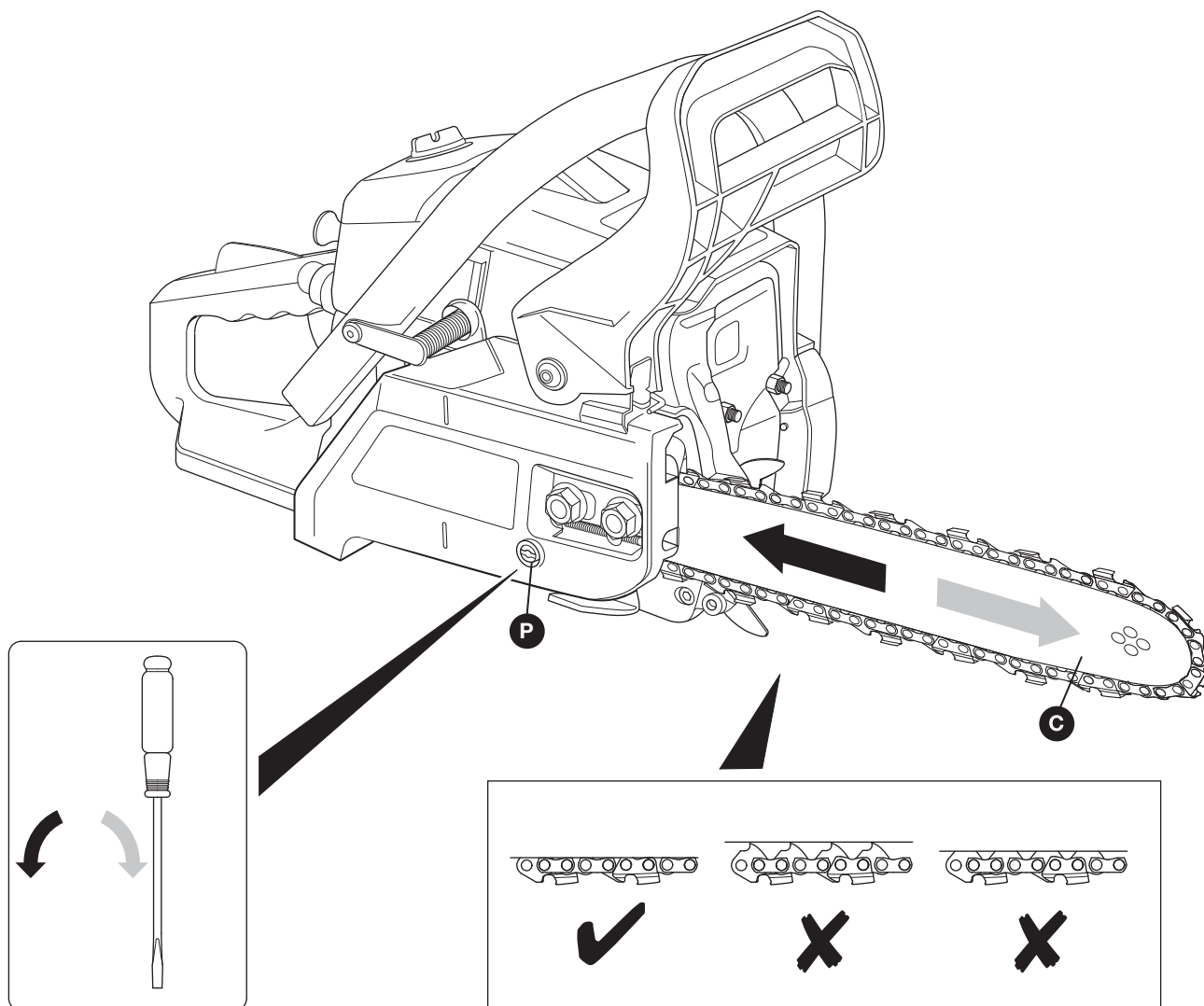


NOTE! If the chain brake lever assembly **B** proves difficult to fit, check the alignment of the tensioning bar **N** (see step 5a) with the lower slot **S** in the guide bar **C**. If necessary, adjust the position of the tensioning bar **N** with the tension adjustment screw **P**.

Refit the two guide bar fastening nuts **J** onto the location pins **K** and tighten by hand.

Step 6

6a



6a. Adjusting the saw chain tension



WARNING! Always wear suitable gloves when assembling or maintaining the saw chain.

Assembly

Step 6 (continued)



CAUTION! The saw chain will stretch after as little as five cuts following initial tensioning. Refer to the operation and maintenance manual for instructions on adjusting the saw chain tension.

CAUTION! It is essential that the correct saw chain tension is maintained. This will ensure that the saw chain **D**, drive sprocket, guide bar **C** and engine do not wear prematurely.

The saw chain **D** must be correctly tensioned before it is used for the first time.

When the guide bar fastening nuts have been loosened, using a screwdriver or the multi tool blade, turn the tension adjustment screw **P** clockwise or anti-clockwise to adjust the saw chain tension.

- Turn the tension adjustment screw **P** anticlockwise to decrease the tension.
- Turn the tension adjustment screw **P** clockwise to increase the tension.

The saw chain **D** must fit snugly all the way around the guide bar **C** as shown.

Using a gloved hand, ensure the saw chain **D** is free to move. If the saw chain **D** does not move, decrease the tension.



NOTE! Re-tighten the guide bar fastening nuts.



NOTE! Always check the saw chain tension before attempting to operate the chainsaw.

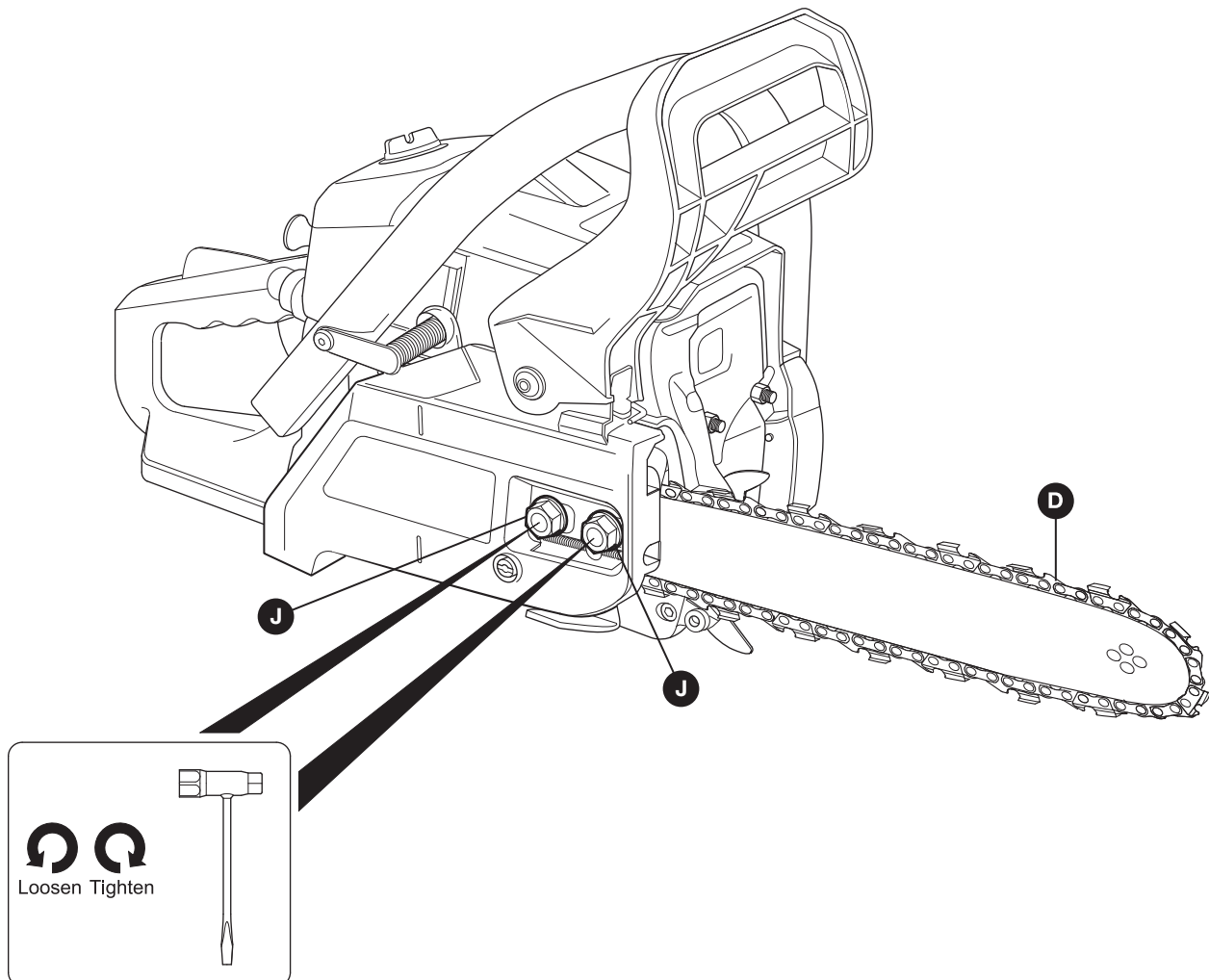


NOTE! Proper tension of the saw chain is extremely important and must be checked before starting, as well as during any cutting operation. Taking the time to make needed adjustments to the saw chain will result in improved cutting performance and prolonged chain life.

Assembly

Step 6 (continued)

6b



6b. Fully tighten the guide bar fastening nuts

Once the saw chain **D** is at the correct tension, fully tighten the guide bar fastening nuts **J** using the supplied multi tool.

Step 7

7. Safe storage

If you are not going to use the chainsaw straight away, fit the protective cover **H** over the saw chain **D** and the guide bar **C**.

Assembly is now complete. Please refer to the operation and maintenance manual for detailed instructions on how to use and maintain the chainsaw.

Getting Help

If you need help or have damaged or missing parts, call the Customer Helpline on **0151 649 1500**.