



**GC-RS 60 CB**

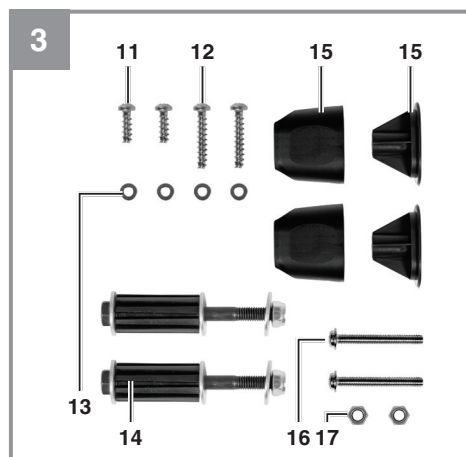
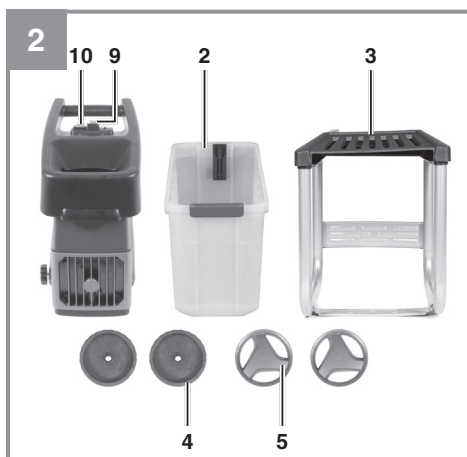
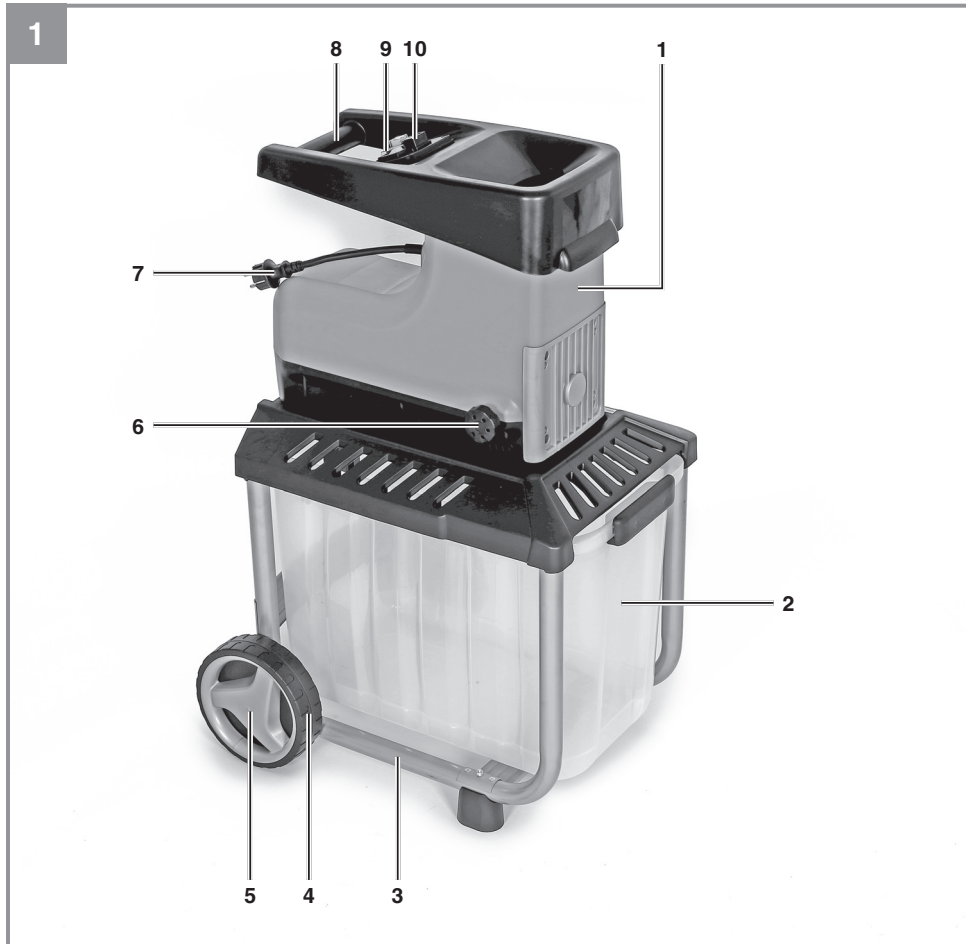
**GB Original operating instructions**  
**Electric quiet shredder**

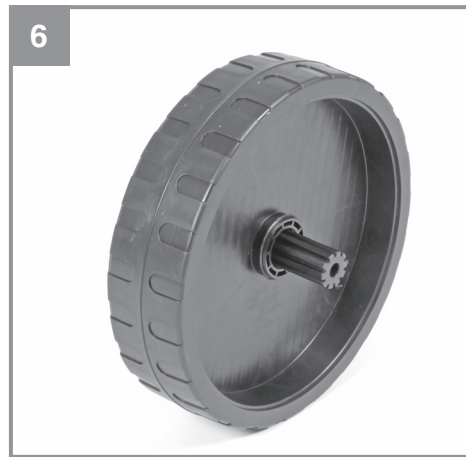
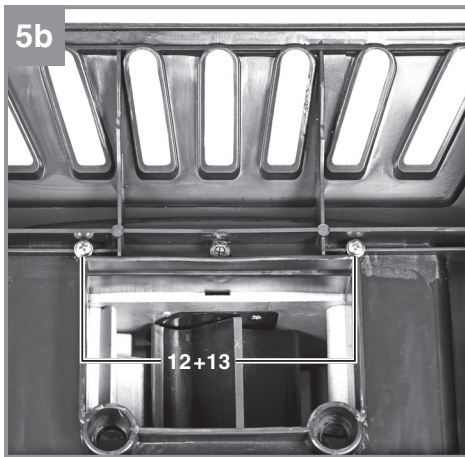
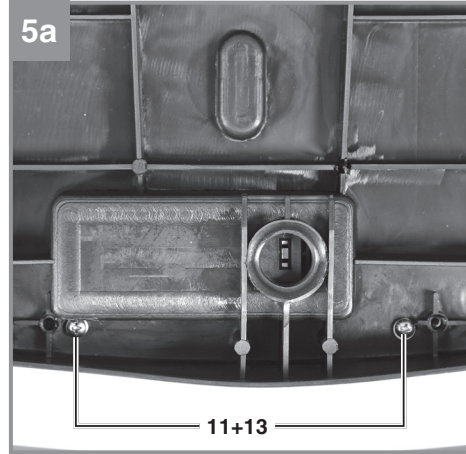
**KO 사용 설명서**  
**저소음 나뭇가지 파쇄기**

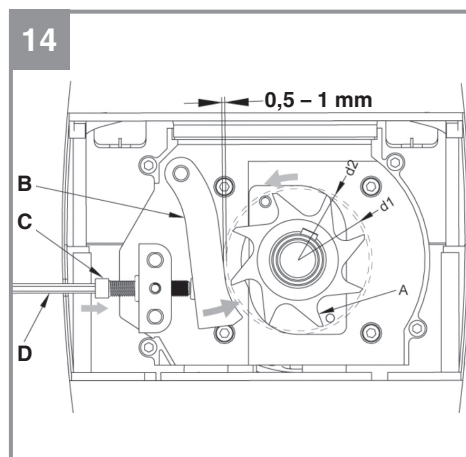
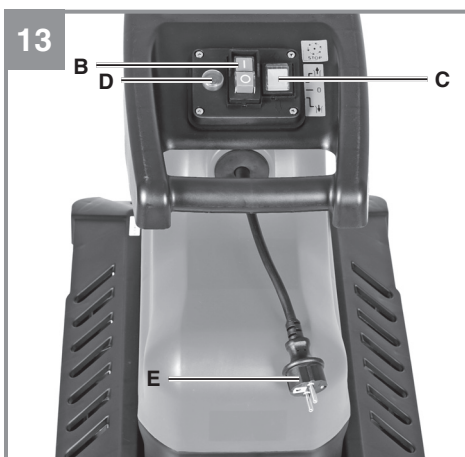
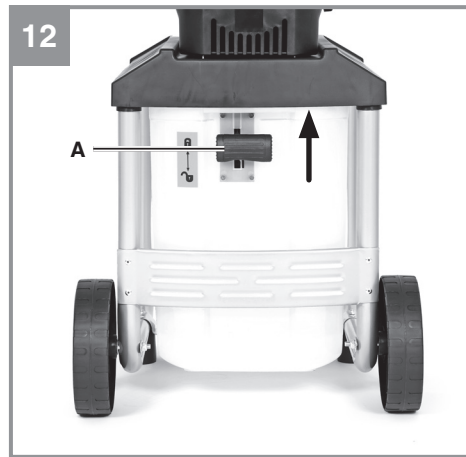
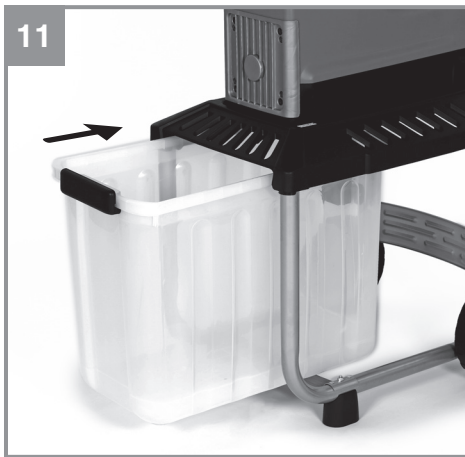
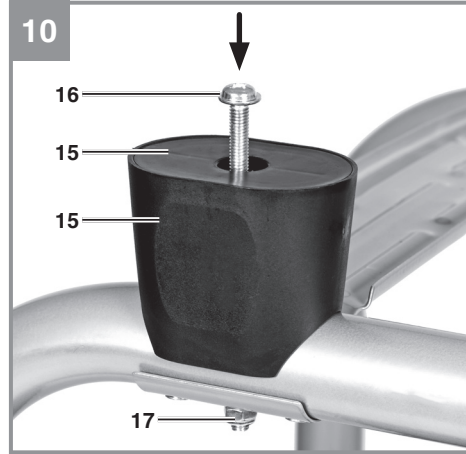


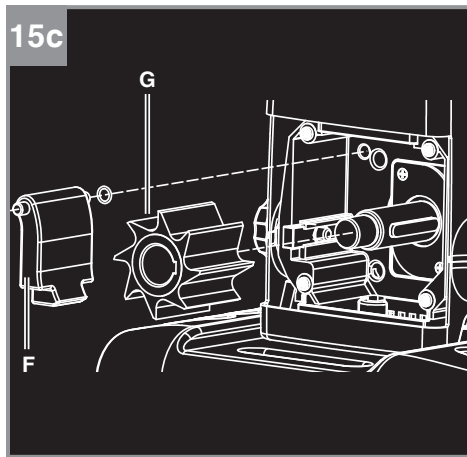
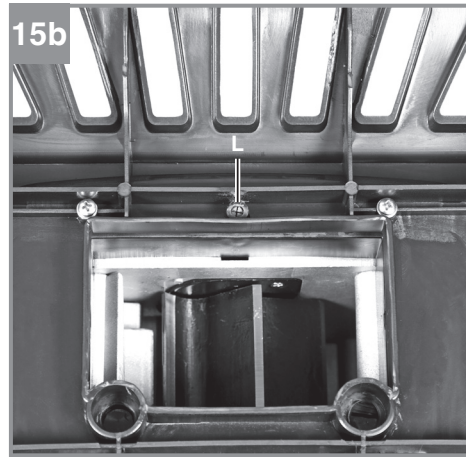
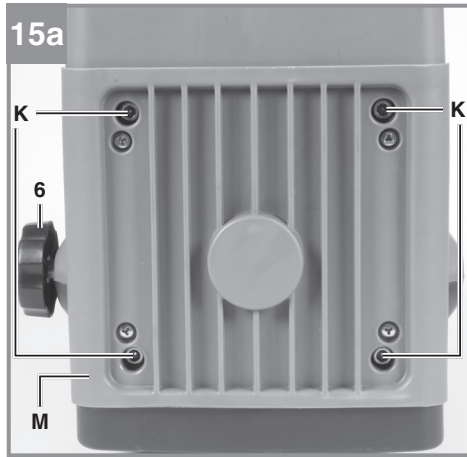
**Art.-Nr.: 34.306.38**

**I.-Nr.: 21012**









16

1		2		3		4		5		7		9
										8		
		6				10	Vor Arbeiten am Schneidwerkzeug, Netzstecker ziehen!					

**Danger!**

When using the equipment, a few safety precautions must be observed to avoid injuries and damage. Please read the complete operating instructions and safety regulations with due care. Keep this manual in a safe place, so that the information is available at all times. If you give the equipment to any other person, hand over these operating instructions and safety regulations as well. We cannot accept any liability for damage or accidents which arise due to a failure to follow these instructions and the safety instructions.

**1. Safety regulations****Warning!**

**Read all the safety information, instructions, illustrations and technical data provided on or with this power tool.** Failure to adhere to the following instructions may result in electric shock, fire and/or serious injury.

**Keep all the safety information and instructions in a safe place for future use.**

**IMPORTANT**

**READ CAREFULLY BEFORE USE  
KEEP FOR LATER REFERENCE**

Read these operating instructions carefully before you use the machine.

This equipment is not designed to be used by people (including children) with limited physical, sensory or mental capacities or those with no experience and/or knowledge unless they are supervised by a person who is responsible for their safety or they have received instructions from such a person in how to use the equipment safely. Children must always be supervised in order to ensure that they do not play with the equipment.

**Caution!** The ON/OFF switch must be set to OFF and the power plug removed from the socket-outlet before cleaning or doing any other work on the shredder and whenever the cable becomes tangled. The shredder will continue to run briefly after it is switched off.

- The operator is responsible for the safety of third parties within the working radius of the shredder.
- Make sure that the shredder is properly closed (loading funnel and ejector) before you

start up the motor.

- The shredder must be placed on a flat and firm surface where it can stand securely.
- Always wear gloves and safety goggles when working with the shredder.
- We recommend ear-muffs when working with shredders which have no noise-insulating features.
- Each time before you leave the shredder, switch off the motor and pull out the ignition key, spark plug connector or power plug.
- Maintenance and cleaning work on the shredder as well as the removal or adjustment of any safety devices may only be performed when the motor is at a standstill and the ignition key, spark plug connector or power plug has been pulled out.
- The safety devices supplied with the shredder (e.g. the ejector) must be used.
- The shredder must be assembled correctly before it is put into operation.
- Examine the shredder each time before you use it. Do not use the shredder if any safety devices are damaged or worn. Never put safety devices out of operation.
- Use the shredder only for the purpose specified in these instructions.
- Work only in good visibility.
- Always make sure of your footing while working.
- Never leave the shredder unattended at your work place. Store the shredder in a safe place during interruptions.
- If you interrupt your work to move to a different position it is imperative to switch off the shredder while you are moving there.
- Never use the shredder in the rain or in moist or wet conditions.
- Protect the shredder from the damp and rain.
- Always wear suitable clothing to protect your head, hands and feet from injury. Wear a helmet, goggles or visor, high boots or strong shoes, long trousers made of tough material, and work gloves.
- Keep the shredder away from other persons, particularly children and pets.
- Do not use the shredder without protection device.

**CAUTION! The guard is vital for your safety and for the safety of others, and it is also essential for the grass trimmer to work correctly. Failure to observe this instruction will not only create a potential hazard, it will also result in the loss of your rights under the**

**warranty.**

- Keep the air vents clear of dirt.
- After use, unplug the machine and check it for damage.
- When you are not using the shredder, keep it in a dry place out of the reach of children.
- Check the screws regularly to see that they are properly tightened.
- The mains voltage must be the same as the voltage specified on the rating plate.
- Power cables used with the shredder must not be of a lighter duty class than HO7RN-F rubber-insulated flexible cables according to DIN 57282/ VDE 0282 with a minimum diameter of 1.5 mm<sup>2</sup>. Plug connectors must be equipped with earthing contacts and the coupling must be rain-water-protected.
- Use only original replacement parts for repair and maintenance purposes.
- Have repairs carried out only by a qualified electrician.
- Examine the shredder for signs of wear or damage each time before you use it and after any collisions. Have essential repairs carried out without delay.
- Never use replacement parts or accessories which are not foreseen or recommended by the manufacturer.
- Pull out the power plug before carrying out any inspection, cleaning or other work on the shredder and whenever it is not being used.
- Before you begin your work, examine the material you want to shred. Remove any foreign bodies. Continue to watch out for foreign bodies while you are working. If you come across any foreign bodies while shredding, shut down the machine and remove the items in question.
- Keep the machine away from other persons, particularly children and pets.
- Use the machine only in the way described in these operating instructions.
- The electric circuit must be protected at least by a 16A fuse.
- The efficiency of the machine will be greatly reduced if a connecting cable with too small a cross section is used. A conductor cross section of at least 3x1.5 mm<sup>2</sup> is required for cables up to 25 m long, and one of at least 3x2.5 mm<sup>2</sup> for cables longer than 25 m.
- If the machine has to be lifted for transporting, be sure to switch off the motor first and wait for the cutter to come to a standstill. Each time before you leave the machine, switch off the motor and pull out the power plug. Before you connect the machine to the power supply, make sure that the loading funnel is properly connected to the motor housing and the release screw tightened.
- If the garden refuse shredder vibrates excessively, turn off the motor, pull out the power plug, and find out immediately what is causing the vibrations. Intensive vibration is usually a sign that something is wrong.
- Do not wear loose clothing or clothing with hanging belts or cords.
- Do not use the machine on a paved area that has been graveled where discharged material may cause injuries.
- Ensure that the loading funnel inlet is empty before you start the machine.
- Keep your head and body away from the in-feed opening.
- Do not move your hands, other body parts or clothing into the infeed chamber, ejector chute or near other moving parts.
- Make sure that you are balanced and standing on a firm surface at all times. Do not stretch forwards. Never stand higher than the machine when feeding material into it.
- Keep away from the discharge zone when you start the machine.
- If foreign bodies get into the cutting tool or the machine generates unusual noises or vibrates in a strange way, switch off the motor immediately and allow the machine to come to a standstill. Pull the plug and carry out the following work:
  - Check the machine for signs of damage
  - Check that all the parts are secure and tighten them if necessary.
  - Have any damaged parts replaced or repaired, but use only spare parts of the same type and equivalent quality
- If the machine is blocked switch off the motor and pull the plug before you start the cleaning procedure. Ensure that the motor is clear of waste and other accumulations to protect the motor from suffering damage or possibly catching fire.
- Ensure that all the covers and guards are in position and in good working order.
- Do not tip the machine whilst the motor is running.
- Switch off the machine before you fit or remove the collection container.
- The tool may only be used outdoors (i.e. not in the vicinity of a wall or any other ridged object)
- Damaged or illegible labels must be replaced

- Allow the tool to cool before carrying out any maintenance work, adjustments, etc.
- Never use the machine while other people are nearby.
- When inserting material take special care to ensure that it does not contain any metal, stones, bottles, cans or other foreign bodies.
- Do not allow processed material to accumulate within the discharge area; this could prevent the machine being able to discharge correctly and result in material recoiling through the infeed opening.
- When servicing the cutting tool, remember that it may still be moving due to the starting mechanism, even if the motor is not running because of the cover interlock.
- Children must not be permitted to use the machine.
- Wear ear protectors and safety goggles. Wear these throughout the time the machine is in operation.
- Before starting the machine, check all screws, nuts, bolts and other fastening materials to ensure that they are secure and that all covers and guards are in position. Damaged or illegible labels must be replaced.
- Connect the equipment to the power supply only via an earth-leakage circuit breaker with max. 30mA tripping current.

#### Description of the warning sign (see Figure 16) on the machine

- 1: Important! Read the operating instructions and follow the warnings and safety instructions
- 2: Take care when the blades are rotating. Do not put your hands or feet into openings when the machine is running.
- 3: Important! Keep other persons and animals away from the danger zone.
- 4: Important! Protect the machine from the damp and never expose it to rain.
- 5: Important! Always wear safety goggles, ear muffs, protective gloves and heavy-duty work clothes!
- 6: Always set the ON/OFF switch to OFF and pull the power plug out of the socket-outlet before doing any work on the shredder, e.g. cleaning the shredder and making adjustments, or if the power cable becomes damaged.
- 7: Explanation of the safety switch on the debris box: The switch is in the "Lock is closed" position: The shredded material debris box is locked. The shredder can be switched on. The

switch is in the "Lock is open" position: The shredded material debris box is not locked and can be removed. The shredder cannot be switched on.

- 8: Explanation of the lever for adjusting the counter blade:  
Turning clockwise reduces the distance between the cutting unit and the counter blade. Turning counter-clockwise increases the distance between the cutting unit and the counter blade.
9. Changeover switch: For a description of the changeover switch see point 6.4
10. Wait until all parts of the machine have come to a complete stop before touching them.

## 2. Layout and items supplied

### 2.1 Layout (Fig. 1-3)

1. Motor unit
2. Shredded material debris box
3. Base frame
4. Wheels
5. Wheel caps
6. Knob for setting the counter blade
7. Power plug
8. Transport handle
9. Reverse running switch
10. ON/OFF switch
11. 2x screws (short) for fitting the motor unit
12. 2x screws (long) for fitting the motor unit
13. 4x washers for fitting the motor unit
14. 2x sets of screws for fitting the wheels (including wheel sleeves, washers and nuts)
15. Feet
16. 2x screws for fitting the feet
17. 2x nuts for fitting the feet

### 2.2 Items supplied

Please check that the article is complete as specified in the scope of delivery. If parts are missing, please contact our service center or the sales outlet where you made your purchase at the latest within 5 working days after purchasing the product and upon presentation of a valid bill of purchase. Also, refer to the warranty table in the service information at the end of the operating instructions.

- Open the packaging and take out the equipment with care.
- Remove the packaging material and any packaging and/or transportation braces (if available).



- Check to see if all items are supplied.
- Inspect the equipment and accessories for transport damage.
- If possible, please keep the packaging until the end of the guarantee period.

**Danger!**

**The equipment and packaging material are not toys. Do not let children play with plastic bags, foils or small parts. There is a danger of swallowing or suffocating!**

- Original operating instructions
- Safety instructions

**3. Proper use**

This electric garden refuse shredder is designed only for shredding organic garden waste. Place biologically degradable material, e.g. leaves, branches, dead flowers etc., into the loading funnel inlet.

The equipment is to be used only for its prescribed purpose. Any other use is deemed to be a case of misuse. The user / operator and not the manufacturer will be liable for any damage or injuries of any kind caused as a result of this.

Please note that our equipment has not been designed for use in commercial, trade or industrial applications. Our warranty will be voided if the machine is used in commercial, trade or industrial businesses or for equivalent purposes.

**4. Technical data**

Voltage:.....	220 V ~ 60 Hz
Power rating: .....	2800 W (P40)
.....	2300 W
Protection type:.....	IP24
Cutting unit idling speed .....	40 min <sup>-1</sup>
Branch diameter: .....	max. 45 mm
L <sub>pA</sub> sound pressure level: .....	81.3 dB (A)
K uncertainty .....	0.99 dB (A)
L <sub>WA</sub> sound power level: .....	92 dB (A)
Weight: .....	31 kg
Protection class:.....	I

Operating mode P40: Continuous operation with idling (cycle time 10 minutes). To ensure that the motor does not become excessively hot it may only be operated for 40% of the cycle at the specified rating and must then be allowed to idle for 60% of the cycle.

**Keep the noise emissions and vibrations to a minimum.**

- Only use appliances which are in perfect working order.
- Service and clean the appliance regularly.
- Adapt your working style to suit the appliance.
- Do not overload the appliance.
- Have the appliance serviced whenever necessary.
- Switch the appliance off when it is not in use.
- Wear protective gloves.

**Caution!****Residual risks**

**Even if you use this electric power tool in accordance with instructions, certain residual risks cannot be ruled out. The following hazards may arise in connection with the equipment's construction and layout:**

1. Lung damage if no suitable protective dust mask is used.
2. Damage to hearing if no suitable ear protection is used.
3. Health damage caused by hand-arm vibrations if the equipment is used over a prolonged period or is not properly guided and maintained.

**5. Before starting the equipment**

Before you connect the equipment to the mains supply make sure that the data on the rating plate are identical to the mains data.

**Warning!**

**Always pull the power plug before making adjustments to the equipment.**

1. Screw the motor unit (Fig. 4/Item 1) and the base frame (Fig. 4/Item 3) together. Use the screws (Fig. 3/Item 11+12+13) and washers (Fig. 5a+5b/Item 13) to do so.
2. Fit the wheels to the base frame. To do so, slide one sleeve each into the hole in each of the wheels (Fig. 6). Then insert one screw with washer through each sleeve (Fig. 7) and screw the wheels to the base frame (Fig. 8).

To do so, fit one washer in front of the tubular rod and one behind it. Press the wheel caps onto the wheels (Fig. 9).

3. Fit the legs (Fig. 10/Item 15+16+17) to the base frame as shown in Fig. 10.
4. Slide the shredded material debris box into the mount with the safety switch (Fig. 12/Item A) at the front as shown in Fig. 11. Ensure that the shredded material debris box runs above the guide rails (Fig. 4/Item A).
5. Lock the shredded material debris box with safety switch (Fig. 12/Item A) in position by pushing upwards.

## 6. Operation

Please observe the statutory regulations governing noise abatement during operating times, which may differ from town to town.

### 6.1 Mains connection

Connect the device with an extension lead connected to the power plug (Fig. 13/Item E). Be sure to observe the relevant information in the safety instructions.

### 6.2 ON/OFF switch (Fig. 13/Item B)

- Press the green knob to switch on the shredder.
- Press the red knob to switch it off.

**Note:** The device has a zero voltage switch. This prevents the device restarting unintentionally after a power failure.

### 6.3 Safety switch (Fig. 12/Item A)

When using the device the shredded material debris box must be securely in position and the safety switch locked as shown in Fig. 12.

### 6.4 Direction selection switch (Fig.13/Item C)

**Important! The switch for selecting the direction of rotation can only be moved when the shredder is switched off.**

#### Position “↓”

The material is automatically drawn in by the blade and shredded.

#### Position “↑”

The blade rotates in the opposite direction to release jammed material. After moving the selector switch to the “↑” position, press and hold the

green knob of the ON/OFF switch. The blade will start to rotate in the opposite direction. As soon as you release the ON/OFF switch, the shredder will stop automatically.

**Important! Always wait until the shredder has reached a standstill before you switch it on again.**

**Note:** If the switch for selecting the direction of rotation is in its center position, the motor will not start.

Large items or pieces of wood will be discharged both in the cutting and in the release direction after the blade has been started and reversed several times.

### 6.5 Motor protection (Fig. 13 / Item D)

An overload (for example if the blade is jammed) will cause the machine to cut out after a few seconds. To protect the motor from damage the motor protection switch stops the power supply automatically. Wait for at least one minute before you press the reset knob so that you can restart the machine.

Then press the ON/OFF switch.

If the blade becomes jammed, turn the switch for selecting the direction of rotation to the left to position “↑” before you switch on the shredder again.

### 6.6 Practical tips

- Be sure to observe the safety instructions (see supplied booklet).
- Wear work gloves, goggles and ear protection.
- Fill in the material you want to shred at the funnel on the side with the larger opening (Fig. 1/Item 15).
- The material is drawn into the shredder automatically. CAUTION! Long pieces of material projecting out of the funnel inlet may whiplash when it is drawn in – keep a safe distance between yourself and the machine.
- Judge the quantity of material which you put into the funnel inlet so that the funnel does not clog.
- If you want to shred withered, damp material that has been lying in the garden for several days, alternate between putting in this material and branches. This will help to prevent the loading funnel becoming clogged with material.
- Do not shred soft waste (e.g. kitchen waste) – put it straight in the compost box.

- Entangled branches and leaves should be thoroughly shredded before loading any more material.
- Do not allow the discharge opening to become clogged with shredded material – risk of pile-ups.
- Do not cover the ventilation slits.
- Do not place heavy material or thick branches into the machine continuously. This may cause the blade to jam.
- Use a plunger or hook to remove jammed objects from the funnel or discharge openings.

**Important:** The material will be crushed, mashed and shredded by the cutting unit, thus accelerating the decomposition process for composting.

#### 6.7. Emptying the shredded material debris box

The level of material in the shredded material debris box can be checked by looking through the slots on the side of the cover.

Always empty the shredded material debris box in good time to prevent it from overflowing.

##### To empty it, proceed as follows:

- Switch off the device at the ON/OFF switch.
- Release the shredded material debris box. To do so, press the safety switch (Fig. 12/Item A) down.
- Take the shredded material debris box out at the front.

#### 6.8 Adjusting the counter blade (Fig. 14)

The counter blade and cutting unit are perfectly adjusted at the factory. Only if it suffers wear does the counter blade require adjustment (switch the machine on for this purpose). To ensure the best possible results from your shredder, the gap between the counter blade (item B) and the shredding blade (item A) should be approx. 0.50 mm. There is an adjustment device on the right-hand side of the plastic housing for this purpose. Turn the knob clockwise so that the screw (item C) moves towards the shredding blade. After a half-turn the counter blade will have moved 0.50 mm closer to the shredding blade. After completing this adjustment check whether the blade produces the desired results.

**IMPORTANT:** If the shredding blade touches the counter blade, it will cut it and small metal chips may fall out of the discharge opening. This is not a fault, but it must only be adjusted as much as necessary since otherwise the counter blade will suffer premature wear.

**When the counter blade cannot be adjusted any more, it has reached its wear limits and must be replaced.**

##### Important: Wear work gloves!

- **Switch off the equipment and pull out the power plug.**
- Release and remove the shredded material debris box.
- Undo the knob for setting the counter blade (Fig. 15a/Item 6) by approx. 5 turns.
- Undo the 4 Allen screws (Fig. 15a/Item K) fully. The Allen screws can only be undone – they cannot be removed.
- Undo the retaining screw on the bottom side of the equipment (Fig. 15b/Item L) as far as the stop. The retaining screw can only be undone – it cannot be removed.
- Now you can take off the cover (Fig. 15a/Item M).
- The shredding blade (Fig. 16/Item G) and the counter blade (Fig. 16/Item F) can now be removed and checked. Worn or damaged parts must be replaced. Use only the spare parts stipulated by the manufacturer (see „Ordering spare parts“).
- To fit, proceed in reverse order. Make sure that the shredding blade is correctly aligned (note the curve of the blade teeth). Make sure that the screws are secure.
- Finally, you must reset the counter blade as described above.

## 7. Replacing the power cable

### Danger!

If the power cable for this equipment is damaged, it must be replaced by the manufacturer or its after-sales service or similarly trained personnel to avoid danger.

## 8. Cleaning, maintenance and ordering of spare parts

### **Danger!**

Always pull out the mains power plug before starting any cleaning work.

### **8.1 Maintenance and storage**

- Clean the machine regularly. This will help to keep the machine in good working order and is the basis for a long working life.
- Keep the vent slots clean while you work.
- Clean the plastic body and other plastic parts with a mild household cleaning agent and a damp cloth. Do not use any aggressive agents or solvents for cleaning purposes.
- Never clean the shredder by spraying with water.
- Prevent water getting inside the machine at all cost.
- Check the chassis securing screws from time to time to ensure that they are tight.
- If you do not intend to use the shredder for a lengthy period, protect it from corrosion using environmentally friendly oil.
- Store the device in a dry room.
- Store the device out of reach of children.

**The equipment must be cleaned and conserved at the end of the season.**

### **Important: Wear work gloves!**

Undo the 4 Allen screws (Fig. 15a/Item K) fully. The Allen screws can only be undone – they cannot be removed. Undo the retaining screw on the bottom side of the equipment (Fig. 15b/Item L) as far as the stop. The retaining screw can only be undone – it cannot be removed. Now you can take off the cover (Fig. 15a/Item M). Clean the cutting compartment, the counter blade and the cutting unit and cover them with a thin coat of vegetable oil before installing everything again. At the beginning of the new season the counter blade must be correctly adjusted as described under 6.8.

### **8.2 Ordering replacement parts:**

Please quote the following data when ordering replacement parts:

- Type of machine
- Article number of the machine
- Identification number of the machine
- Replacement part number of the part required

For our latest prices and information please go to [www.Einhell-Service.com](http://www.Einhell-Service.com)

## 9. Disposal and recycling

The equipment is supplied in packaging to prevent it from being damaged in transit. The raw materials in this packaging can be reused or recycled. The equipment and its accessories are made of various types of material, such as metal and plastic. Never place defective equipment in your household refuse. The equipment should be taken to a suitable collection center for proper disposal. If you do not know the whereabouts of such a collection point, you should ask in your local council offices.

## 10. Storage

Store the equipment and accessories in a dark and dry place at above freezing temperature. The ideal storage temperature is between 5 and 30 °C. Store the electric tool in its original packaging.

## 11. Troubleshooting

Fault	Possible cause	Remedy
The motor does not start	<ul style="list-style-type: none"> <li>- Power failure</li> <li>- Motor circuit breaker has been triggered</li> <li>- The safety switch is not making contact</li> <li>- The switch for selecting the direction of rotation is in its center position.</li> </ul>	<ul style="list-style-type: none"> <li>- Check the mains lead, plug and fuse.</li> <li>- Press the Reset button (see point 6.5)</li> <li>- Insert the debris box correctly and push the safety switch upwards until it engages</li> <li>- Set the direction of rotation on the switch</li> </ul>
Material is not drawn in by the shredder	<ul style="list-style-type: none"> <li>- The shredding blade is running in reverse.</li> <li>- Material blockage in the filling funnel</li> <li>- The shredding blade is jammed</li> </ul>	<ul style="list-style-type: none"> <li>- Change the direction of rotation.</li> <li>- Change the direction of rotation and pull the material out of the funnel. Feed in thick branches again so that the blade does not immediately engage again in the notches it previously cut.</li> <li>- Change the direction of rotation. The blade will now release the jammed material.</li> </ul>
The material is not shredded properly	<ul style="list-style-type: none"> <li>- The counter blade is not set correctly.</li> </ul>	<ul style="list-style-type: none"> <li>- Adjust the counter blade. See section 6.8 on how to do so.</li> </ul>

## Service information

We have competent service partners in all countries named on the guarantee certificate whose contact details can also be found on the guarantee certificate. These partners will help you with all service requests such as repairs, spare and wearing part orders or the purchase of consumables.

Please note that the following parts of this product are subject to normal or natural wear and that the following parts are therefore also required for use as consumables.

Category	Example
Wear parts*	Roller
Consumables*	Counter blade (pressure plate)
Missing parts	

\* Not necessarily included in the scope of delivery!

In the event of defects or faults, please register the problem on the internet at [www.Einhell-Service.com](http://www.Einhell-Service.com). Please ensure that you provide a precise description of the problem and answer the following questions in all cases:

- Did the equipment work at all or was it defective from the beginning?
- Did you notice anything (symptom or defect) prior to the failure?
- What malfunction does the equipment have in your opinion (main symptom)?  
Describe this malfunction.

## Warranty certificate

Dear Customer,

All of our products undergo strict quality checks to ensure that they reach you in perfect condition. In the unlikely event that your device develops a fault, please contact our service department at the address shown on this guarantee card. You can also contact us by telephone using the service number shown. Please note the following terms under which guarantee claims can be made:

1. These guarantee terms apply to consumers only, i.e. natural persons intending to use this product neither for their commercial activities nor for any other self-employed activities. These warranty terms regulate additional warranty services, which the manufacturer mentioned below promises to buyers of its new products in addition to their statutory rights of guarantee. Your statutory guarantee claims are not affected by this guarantee. Our guarantee is free of charge to you.
2. The warranty services cover only defects due to material or manufacturing faults on a product which you have bought from the manufacturer mentioned below and are limited to either the rectification of said defects on the product or the replacement of the product, whichever we prefer.  
Please note that our devices are not designed for use in commercial, trade or professional applications. A guarantee contract will not be created if the device has been used by commercial, trade or industrial business or has been exposed to similar stresses during the guarantee period.
3. The following are not covered by our guarantee:
  - Damage to the device caused by a failure to follow the assembly instructions or due to incorrect installation, a failure to follow the operating instructions (for example connecting it to an incorrect mains voltage or current type) or a failure to follow the maintenance and safety instructions or by exposing the device to abnormal environmental conditions or by lack of care and maintenance.
  - Damage to the device caused by abuse or incorrect use (for example overloading the device or the use of unapproved tools or accessories), ingress of foreign bodies into the device (such as sand, stones or dust, transport damage), the use of force or damage caused by external forces (for example by dropping it).
  - Damage to the device or parts of the device caused by normal or natural wear or tear or by normal use of the device.
4. The guarantee is valid for a period of 24 months starting from the purchase date of the device. Guarantee claims should be submitted before the end of the guarantee period within two weeks of the defect being noticed. No guarantee claims will be accepted after the end of the guarantee period. The original guarantee period remains applicable to the device even if repairs are carried out or parts are replaced. In such cases, the work performed or parts fitted will not result in an extension of the guarantee period, and no new guarantee will become active for the work performed or parts fitted. This also applies if an on-site service is used.
5. To make a claim under the guarantee, please register the defective device at: [www.Einhell-Service.com](http://www.Einhell-Service.com). Please keep your bill of purchase or other proof of purchase for the new device. Devices that are returned without proof of purchase or without a rating plate shall not be covered by the guarantee, because appropriate identification will not be possible. If the defect is covered by our guarantee, then the item in question will either be repaired immediately and returned to you or we will send you a new replacement.

Of course, we are also happy offer a chargeable repair service for any defects which are not covered by the scope of this guarantee or for units which are no longer covered. To take advantage of this service, please send the device to our service address.

Also refer to the restrictions of this warranty concerning wear parts, consumables and missing parts as set out in the service information in these operating instructions.

**주의!**

상해 또는 피해를 방지하기 위해 제품의 사용 시에는 반드시 취급 유의사항을 사전에 숙지해 주시기 바랍니다. 사용 설명서 및 취급 시 유의사항을 반드시 확인하시기 바랍니다. 본 책자는 항상 찾기 쉬운 장소에 보관하시기 바랍니다. 타인에게 본 기기를 양도할 경우에는 기기의 사용 설명서 및 취급 유의사항을 반드시 전달해 주시기 바랍니다. 본 지시 사항을 따르지 않고 피해나 사고가 발생할 경우, 당사의 법적 책임은 없음을 알려드립니다.

**1. 안전규정/취급 시 유의사항**

**주의!**

**취급시 유의사항 및 사용 설명서를 반드시 필독해 주십시오.**

조작방법의 미숙지로 인한 감전 또는 화재로 인하여 심각한 상해 및 피해를 입을 수 있습니다. **추후 사용을 위해 안전 관리 규정 및 사용설명서를 항상 찾기 쉽고 잘 보이는 안전한 곳에 보관하시기 바랍니다.**

**중요**

**사용 전 주의 깊게 필독해 주십시오. 추후 사용을 위해 보관하시기 바랍니다.**

기기를 사용하기 전에 이 사용 설명서를 주의 깊게 읽으십시오.

이 기기는 신체적, 감각적 또는 정신적 능력이 제한적인 사람(어린이 포함)이나 경험 또는 지식이 없는 사람이 안전을 책임지는 사람의 감독을 받거나 장비를 안전하게 사용하는 방법을 교육받지 않는 한 사용할 수 없도록 설계되었습니다. 어린이가 기기를 가지고 놀지 않도록 항상 감독해야 합니다.

**주의!** 파쇄기를 청소하거나 기타 작업을 수행하기 전에, 그리고 케이블이 얽힐 때마다 ON/OFF 스위치를 OFF로 설정하고 콘센트에서 전원 플러그를 뽑아야 합니다. 파쇄기는 전원이 꺼진 후에도 잠시 동안 계속 작동됩니다.

- 작업자는 파쇄기 작업반경 내에서 제3자의 안전을 책임집니다.
- 모터를 시동하기 전에 파쇄기가 제대로 닫혀 있는지 확인하십시오(파쇄물 투입구와 배출기).
- 파쇄기는 안전하게 설 수 있는 평평하고 단단한 평면에 놓여야 합니다. 파쇄기로 작업할 때는 항상 장갑과 안전경을 착용하십시오. 소음 차단 기능이 없는 파쇄기로 작업할 때는 귀마개를 사용하는 것이 좋습니다.

- 파쇄기를 두고 자리를 떠나기 전에 항상 모터를 끄고 정화 키, 정화 플러그 커넥터 또는 전원 플러그를 뽑으십시오.
- 파쇄기의 유지 보수 및 청소 작업과 안전 장치의 제거 또는 조정은 모터가 정지 상태이고 정화 키, 정화 플러그 커넥터 또는 전원 플러그가 뽑힌 경우에만 해야 합니다. 파쇄기와 함께 제공된 안전 장치(예: 이젝터)를 사용해야 합니다. 파쇄기는 작동되기 전에 올바르게 조립되어야 합니다. 파쇄기를 사용하기 전에 매번 검사하십시오. 안전 장치가 손상되거나 마모된 경우 파쇄기를 사용하지 마십시오. 안전 장치를 작동하지 않는 상태로 두지 마십시오. 이 지침에 명시된 목적으로만 파쇄기를 사용하십시오.
- 잘 보이는 곳에서만 작업하십시오. 작업하는 동안 항상 발판을 확인하십시오. 파쇄기를 작업장에 방치하지 마십시오. 사용하지 않을 때는 파쇄기를 안전한 장소에 보관하십시오.
- 다른 장소로 이동하기 위해 작업을 중단하는 경우, 반드시 파쇄기를 끄고 이동하십시오. 비 또는 습하거나 젖은 상태에서 사용하지 마십시오. 습기와 비로부터 파쇄기를 보호하십시오.
- 머리, 손, 발을 부상당하지 않도록 항상 적절한 의복을 착용하십시오. 헬멧, 고글 또는 바이저, 높은 부츠 또는 튼튼한 신발, 튼튼한 옷감의 긴 바지, 작업용 장갑을 착용하십시오. 분쇄기를 다른 사람, 특히 어린이와 애완동물의 손길이 닿지 않는 곳에 보관하십시오. 보호 장치 없이 파쇄기를 사용하지 마십시오.

**주의! 보호 장비는 귀하와 주변 사람들의 안전을 위해 매우 중요하며 올바르게 정원을 관리하는 데도 필수적입니다. 이 지침을 준수하지 않으면 잠재적인 위험이 발생할 뿐만 아니라 보증에 따른 귀하의 권리도 상실됩니다.**

- 통풍구에 먼지가 없도록 하십시오. 사용 후에는 기기의 플러그를 뽑고 손상 여부를 확인하십시오. 파쇄기를 사용하지 않을 때는 어린이의 손길이 닿지 않는 건조한 곳에 보관하십시오.
- 나사가 제대로 조여졌는지 정기적으로 점검하십시오. 주전원의 전압은 명판에 명시된 전압과 같아야 합니다. 파쇄기와 함께 사용되는 전원 케이블은 최소 직경이 1.5mm<sup>2</sup>인 DIN 57282/VDE 0282에 따른 HO7RN-F 고무 절연 연성 케이블보다 가벼운 의무 등급이 아니어야 합니다. 플러그 커넥터에는 접지 접점이 있어야 하고 연장선 커플링은 빗물로부터 보호되어야 합니다.
- 수리 및 유지 관리를 위해 순정 교체 부품만 사용하십시오. 자격을 갖춘 전기 기사에게만 수리를 의뢰하십시오. 사용하기 전과 사용 중



충돌이 있을 때마다 마모 또는 손상의 징후가 있는지 늘 검사하십시오. 필요한 수리를 지체 없이 하십시오. 제조업체가 예측하거나 권장하지 않는 교체 부품이나 액세서리를 사용하지 마십시오.

- 파쇄기에 대한 검사, 청소 또는 기타 작업을 하기 전과 사용하지 않을 때는 항상 전원 플러그를 뽑으십시오. 작업을 시작하기 전에 파쇄하려는 재료를 검사하십시오. 이물질 제거하십시오. 작업하는 동안 이물질에 계속 주의하십시오. 파쇄 과정에서 이물질이 발견되면 기계를 끄고 해당 물질을 제거하십시오.
- 기계를 다른 사람들, 특히 어린이와 애완동물의 손길이 닿지 않는 곳에 두십시오. 이 사용 설명서에 설명된 방식으로만 기계를 사용하십시오. 전기 회로는 최소한 16A 퓨즈로 보호되어야 합니다. 단면적이 너무 작은 연결 케이블을 사용하면 기계의 효율성이 크게 저하됩니다. 최대 25m 길이의 케이블에는 최소 3x1.5mm<sup>2</sup>의 도체 단면이 필요하고 25m보다 긴 케이블에는 최소 3x2.5mm<sup>2</sup> 중 하나가 필요합니다.
- 운반을 위해 기계를 들어 올려야 하는 경우 먼저 모터를 끄고 커터가 정지할 때까지 기다리십시오. 기계를 떠날 때마다 모터를 끄고 전원 플러그를 뽑으십시오. 기계를 전원 공급 장치에 연결하기 전에 주입구가 모터 하우징에 제대로 연결되어 있고 해제 나사가 조여졌는지 확인하십시오. 정원쓰레기 분쇄기가 과도하게 진동하면 모터를 끄고 전원 플러그를 뽑고 즉시 진동의 원인을 파악하십시오. 강한 진동은 일반적으로 무언가 잘못되었다는 신호입니다. 험령한 옷이나 벨트나 끈이 달린 옷을 입지 마십시오. 배출된 물질로 인해 부상을 입을 수 있는 자갈이 깔린 포장된 지역에서 기계를 사용하지 마십시오.
- 기계를 작동하기 전에 파쇄물 주입구가 비어 있는지 확인하십시오. 주입구에서 머리와 몸을 멀리 유지하십시오. 손, 기타 신체 부위 또는 의복을 주입 통로, 이젝터 슈트(배출구) 또는 기타 작동 중인 부품 근처로 옮기지 마십시오. 균형을 유지하고 항상 단단한 표면에서 있는지 확인하십시오. 앞으로 스트레칭하지 마십시오. 재료를 주입할 때 기계보다 높은 곳에 서지 마십시오. 기계를 시동할 때 배출 구역에서 멀리 유지하십시오. 이물질이 절삭 공구에 들어가거나 기계에서 이상한 소리가 나거나 이상하게 진동하는 경우 즉시 모터를 끄고 기계를 정지시키십시오. 플러그를 뽑고 다음 작업을 수행하십시오.
  - 기계에 손상 징후가 있는지 확인하십시오.
  - 모든 부품이 고정되었는지 확인하고 필요한 경우 다시 조입니다.
  - 손상된 부품을 교체하거나 수리하되 동일한 유형 및 동등한 품질의 예비 부품만 사용

하십시오.

- 기계가 막힌 경우 청소를 시작하기 전에 모터를 끄고 플러그를 뽑으십시오. 모터가 손상되거나 화재가 발생하지 않도록 모터에 폐기물 및 기타 축적물이 있는지 확인하십시오.
- 모든 덮개와 가드가 제자리에 있고 잘 작동하는지 확인하십시오.
- 기기가 작동하는 동안 기계를 기울이지 마십시오.
- 용기를 장착하거나 제거하기 전에 기계를 끄십시오
- 이 도구는 실외에서만 사용할 수 있습니다(벽이나 기타 용기된 물체 근처가 아닌 곳).
- 손상되었거나 읽을 수 없는 라벨은 교체해야 합니다.
- 유지보수 작업, 조정 등을 수행하기 전에 기기의 열을 식히십시오.
- 다른 사람이 근처에 있을 때 기기를 사용하지 마십시오.
- 재료를 주입할 때 금속, 돌, 병, 캔 또는 기타 이물질이 포함되지 않도록 각별히 주의하십시오.
- 처리된 재료가 배출구 부분에 쌓이지 않도록 하십시오. 제대로 배출되지 않고 주입부로 역류하여 될 수도 있습니다.
- 절삭 공구를 수리할 때 덮개 인터록으로 인해 모터가 작동하지 않는 경우에도 시동 메커니즘으로 인해 절삭 공구가 계속 움직일 수 있다는 점을 기억하십시오.
- 어린이가 기계를 사용하지 못하도록 하십시오.
- 귀마개와 보안경을 착용하십시오. 기계가 작동하는 동안 내내 착용하십시오.
- 기계를 시작하기 전에 모든 나사, 너트, 볼트 및 기타 고정 재료가 고정되어 있고 모든 덮개와 가드가 제자리에 있는지 확인하십시오. 손상되었거나 읽을 수 없는 라벨은 교체해야 합니다. 장비를 전원 공급 장치에 연결하려면 최대 30mA 트리핑 전류의 누전 차단기를 통해서만 연결하십시오.

**기계의 경고 표시에 대한 설명(그림 16 참조)**

- 1: 중요! 작동 지침을 읽고 경고 및 안전 지침을 따르십시오
- 2: 칼날이 회전할 때 주의하십시오. 기계가 작동 중일 때 구멍에 손이나 발을 넣지 마십시오.
- 3: 중요! 위험 구역에서 다른 사람들과 동물을 멀리하십시오.
- 4: 중요! 기계를 습기로부터 보호하고 비에 젖지 않게 하십시오.
- 5: 중요! 항상 보안경, 귀마개, 보호 장갑 및 튼튼한 작업복을 착용하십시오!
- 6: 파쇄기 청소 및 조정, 또는 전원 케이블이 손상된 경우 등 파쇄기에서 작업을 수행하기 전에 항상 ON/OFF 스위치를 OFF로 설정하고

- 콘센트에서 전원 플러그를 뽑으십시오.
- 7: 파쇄물 수거함의 안전 스위치에 대한 설명: 스위치가 „잠금 닫힘“ 위치에 있을 때: 파쇄물 수거함이 잠겨 있습니다. 파쇄기를 켤 수 있습니다. 스위치가 „잠금 열림“ 위치에 있을 때: 파쇄물 수거함은 잠겨 있지 않으며 분리할 수 있습니다. 파쇄기를 켤 수 없습니다.
  - 8: 카운터 블레이드 조정 레버 설명: 시계 방향으로 돌리면 커팅 유닛과 카운터 날 사이의 거리가 줄어듭니다. 시계 반대 방향으로 돌리면 커팅 유닛과 카운터 날 사이의 거리가 늘어납니다.
  9. 전환 스위치: 전환 스위치에 대한 설명은 6.4항을 참조하십시오.
  10. 기기가 완전히 멈출 때까지 기다린 후에 부품을 만지십시오.

## 2. 제품 구성 및 제공 품목

### 2.1 제품구성 (그림1-3)

1. 모터 유닛
2. 파쇄물 수거함
3. 베이스 프레임
4. 바퀴
5. 휠 캡
6. 카운터 블레이드 설정용 노브
7. 전원 플러그
8. 운송 핸들
9. 역주행 스위치
10. ON/OFF 스위치
11. 모터 유닛 장착용 나사(짧은) 2개
12. 모터 유닛 장착용 나사(긴) 2개
13. 모터 유닛 장착용 와셔 4개
14. 휠 장착용 나사 2개 세트 (휠 슬리브, 와셔 및 너트 포함)
15. 받침대
16. 받침대 고정용 나사 2개
17. 받침대 고정용 너트 2개

### 2.2 제공 품목

배송 범위에 명시된 대로 물품이 완전한지 확인하십시오. 부품이 누락된 경우 제품 구매 후 영업일 기준 5일 이내에 유효한 구매 영수증을 제시한 후 늦어도 5영업일 이내에 아인헬 서비스 센터 또는 가까운 영업 판매점에 문의하십시오. 또한 사용 설명서 마지막 부분에 있는 서비스 정보의 품질 보증 관련 사항을 참조하십시오.

- 포장재를 제거하고 주의를 기울여 제품을 개봉합니다.
- 포장재와 포장, 배송용 자재를 제거하고 모든 구성품이 제대로 들어있는지 확인하십시오.
- 배송 중 제품과 액세서리에 이상이 있는지 확인하십시오.

- 가능하면 보증 기간이 끝날 때까지 포장재를 보관하십시오.

### 주의!

**본 제품 및 포장재는 어린이의 손이 닿지 않는 곳에 보관하시기 바랍니다. 플라스틱 가방, 호일 또는 부품을 삼키지 않도록 주의해 주시기 바랍니다. 질식 사고의 위험이 있습니다.**

- 나뭇가지 파쇄기
- 파쇄물 수거함
- 파쇄물 쭈시개(밀대)
- 사용설명서
- 안전 규정 지침/취급 시 유의사항

## 3. 사용 용도

본 기기는 정원 및 조경 관리 후 나뭇가지 및 기타 잔가지 등의 분쇄 용도로 사용할 수 있습니다. 생물학적, 환경적으로 분해가 가능한 재료(폐 나뭇가지, 낙엽, 죽은 꽃 등)를 파쇄물 투입구 안으로 밀어 넣어줍니다.

본 제품은 사용 설명서에 기재된 용도와 목적에 적합하게 사용되어야 합니다. 사용자 및 작업자, 제조사가 아닌 경우에 사용 용도가 아닌 다른 목적으로 사용하여 상해 및 사고가 발생할 경우 당사는 법적 책임을 지지 않습니다.

본 기기의 사용이 상업적 용도, 상거래 및 산업용 목적 또는 이와 유사한 형태의 거래로 이루어질 경우, 당사의 품질 보증이 무효화 됨을 알려드립니다.

## 4. 기술 제원 / 제품 사양

주요 전압:.....	220 V ~ 60 Hz
소비 전력: .....	2800 W (P40)
.....	2300 W
보호 유형:.....	IP24
커팅 유닛 공회전 속도.....	40 min-1
파쇄물 분쇄 직경: .....	최대 45 mm
LpA 소음도 .....	81.3 dB (A)
K 오차 범위.....	0.99 dB (A)
LWA 소음도: .....	92 dB (A)
제품 총량: .....	31 kg
보호 등급:.....	I

작동 모드 P40: 공회전 상태에서 연속 작동(사이클 시간 10분). 모터가 과열되지 않도록 하려면 지정된 정격에서 주기의 40% 동안만 작동할 수 있으며 그 다음에는 주기의 60% 동안 공회전해야 합니다.

**소음 및 진동 발생의 최소화 유지**

- 올바른 작업 지침 및 순서에 따라 기기를 사용하여 주십시오.
- 정기적으로 기기를 유지, 보수해 주십시오.
- 기기의 용도에 맞는 작업을 해 주십시오.
- 기기에 무리한 힘을 가하지 마십시오.
- 이상 또는 고장 시 기기를 적절히 수리하십시오.
- S작업 종료 후에는 반드시 전원 스위치를 꺼 주십시오.
- 보호 안경 및 보호 장갑을 착용해 주십시오.

**주의!**

**발생할 수 있는 잔재 위험!**

사용 설명서에 따라 기기를 사용할 경우라도 특정 잔재 위험이 발생할 수 있습니다. 기기의 구조 및 구성 제품에 따라 다음과 같은 위험 요소들이 있습니다.

- 파쇄물 주입구 통로에 닿을 경우, 끼임 현상으로 인한 부상의 위험
- 보호 장갑 미착용 시, 굽히거나 베임 또는 부딪힘으로 인한 상해 또는 부상의 위험
- 보호경(고글) 미착용 시, 파쇄물이 잘려 나가면서 튀기거나 날려오는 파편으로 생길 수 있는 위험
- 소음 방지 귀마개 미착용으로 발생할 수 있는 청력 손상의 위험

**5. 사용 전 알아두어야 할 사항**

기기를 주 전원 공급 장치에 연결하기 전에 기기에 표시된 주 전원 공급 값과 일치하는 지 확인하시기 바랍니다.

**주의!**

기기 점검 및 조립 전에 반드시 전원 플러그를 뽑아주십시오.

1. 모터 유닛 (그림 4/품목 1)과 베이스 프레임 (그림 4/품목 3)을 함께 조입니다. 이를 위해 나사(그림 3/품목 11+12+13)와 와셔(그림 5a+5b/항목 13)를 사용합니다.
2. 바퀴를 베이스 프레임에 맞춥니다. 이렇게 하려면 각 바퀴의 구멍에 슬리브를 하나씩 밀어 넣으십시오(그림 6). 그런 다음 각 슬리브에 와셔가 있는 나사 하나를 삽입하고(그림 7) 바퀴를 베이스 프레임에 나사로 고정합니다(그림 8). 이렇게 하려면 튜브형 로드 앞에

하나의 와셔를 끼우고 뒤에 하나를 끼웁니다. 휠 캡을 바퀴에 누르십시오(그림 9).

3. 그림 10과 같이 다리 (그림 10/품목 15+16+17)를 베이스 프레임에 끼웁니다.
4. 그림 11과 같이 전면에 있는 안전 스위치 (그림 12/품목 A)를 사용하여 파쇄물 수거함을 마운트에 밀어 넣습니다. 파쇄물 수거함이 가이드 레일(그림 4/품목 A) 위로 움직이는지 확인합니다.
5. 안전 스위치 (그림 12/품목 A)를 사용하여 파쇄물 수거함을 위쪽으로 밀어 제자리에 잠금니다.

**6. 기기의 작동**

작업 시 소음 방지에 관한 법을 규정을 준수하여 주십시오. 지역마다 상이할 수 있습니다.

**6.1 기기의 전원 연결**

전원 플러그(그림 13/품목 E)에 연결된 전기 연장선과 장치를 연결하십시오. 규정 지침 관련 정보를 준수해 주십시오.

**6.2 ON/OFF 스위치 (그림13/품목 B)**

- 파쇄기를 켜려면 녹색 손잡이를 누르십시오.
- 파쇄기를 끄려면 빨간색 손잡이를 누르십시오.

**참고:** 이 장치에는 제로 전압 스위치가 있습니다. 이렇게 하면 정전 후 장치가 의도치 않게 다시 시작되는 것을 방지할 수 있습니다.

**6.3 안전 스위치 (그림12/품목 A)**

장치를 사용할 때 파쇄물 수거함은 그림 12와 같이 제자리에 단단히 고정되고 안전 스위치가 잠겨 있어야 합니다.

**6.4 방향 선택 스위치 (그림13/품목 C)**

**중요!** 회전 방향 선택 스위치는 분쇄기가 꺼진 상태에서만 움직일 수 있습니다.

**위치 “↓”**

재로는 칼날에 의해 자동으로 당겨져 파쇄됩니다.

**위치 “↑”**

블레이드가 반대 방향으로 회전하여 걸린 재료를 해제합니다. 선택 스위치를 “↑” 위치로 이동한 후 ON/OFF 스위치의 녹색 손잡이를 길게 누릅니다.

블레이드가 반대 방향으로 회전하기 시작합니다. ON/OFF 스위치를 놓으면 분쇄기가 자동으로 멈춥니다.

**중요! 분쇄기를 다시 켜기 전에 항상 분쇄기가 멈출 때까지 기다리십시오.**

**참고:** 회전 방향 선택 스위치가 중앙 위치에 있으면 모터가 시작되지 않습니다.

큰 재료나 나무 조각은 칼날이 여러 번 순방향과 역방향으로 작동된 후 절단 방향과 배출 방향 모두에서 배출됩니다.

### 6.5 모터 보호 (그림 13 / 품목D)

과부하(예: 날이 걸린 경우)로 인해 몇 초 후에 기계가 절단될 수 있습니다. 모터의 손상을 방지하기 위해 모터 보호 스위치는 자동으로 전원 공급을 중단합니다. 기기를 다시 시작할 수 있도록 재설정 손잡이를 누르기 전에 최소 1분 동안 기다리십시오.

그런 후에 ON/OFF 스위치를 누르십시오.

칼날이 걸리면 파쇄기의 전원을 다시 켜기 전에 회전 방향 선택 스위치를 왼쪽으로 „1“ 위치로 돌리십시오.

### 6.6 유용한 팁

- 반드시 안전 지침을 준수하십시오(제공된 책자 참조).
- 보호 장갑, 보안경 및 소음 방지 귀마개를 착용해 주십시오.
- 더 큰 구멍이 있는 쪽의 투입구(그림 1/항목 15)에 파쇄하려는 재료를 넣으십시오.
- 작업물은 자동으로 파쇄기에 들어갑니다. 주의! 투입구 밖으로 돌출된 긴 파쇄물이 안으로 빨려 들어갈 때 튀어 몸에 부딪힐 수 있습니다. - 안전 거리 확보
- 파쇄물 투입구에 넣는 파쇄물의 양을 고려하여 입구가 막히지 않도록 주의하십시오.
- 며칠 동안 정원에 있던 시들고 축축한 재료를 잘게 파쇄 하고자 할 때는 기계에 이 재료와 나무 가지를 번갈아 넣으면서 작업해 주십시오. 투입구가 막히는 것을 방지해 줍니다.
- 음식물 쓰레기 같은 부드러운 연성의 폐기물을 분쇄하지 마십시오. 이는 퇴비 상자에 바로 버리십시오. 튀어오른 나뭇가지와 잎은 다음 파쇄물을 넣기 전에 완전히 파쇄해 주십시오.
- 배출구가 파쇄된 이물질로 막히지 않도록 주의하십시오. 통풍구를 덮지 마십시오.
- 굵은 재료 또는 가지를 계속해서 기계에 넣지 마십시오. 절단날이 걸릴 수 있습니다. 쪼갬개를 사용해서 파쇄물 투입구로부터 막힌 재료(이물질)를 제거하고 후크를 사용하여 배출구 통로에서 걸린 이물질을 제거합니다.

**중요:** 재료는 절단 장치에 의해 으개지고 파쇄되어 퇴비화를 위한 분해 과정이 가속화됩니다.

### 6.7. 파쇄물 수거함 비우기

파쇄물 수거함의 수거량은 덮개 측면의 슬롯을 통해 확인할 수 있습니다.

과적을 방지하기 위해 파쇄물 수거함을 항상 적절한 시기에 비우십시오.

### 비우려면 다음과 같이 진행하십시오.:

- ON/OFF 스위치에서 장치를 끕니다.
- 파쇄물 수거함을 해제합니다. 그렇게 하려면 안전 스위치(그림 12/항목 A)를 아래로 누르십시오.
- 파쇄물 수거함을 전면에서 꺼냅니다.

### 6.8 카운터 블레이드 조정 (그림14)

카운터 블레이드와 커팅 유닛은 공장에서 완벽하게 조정됩니다. 마모된 경우에만 카운터 블레이드를 조정해야 합니다(이를 위해 기계를 끕니다). 파쇄기에서 최상의 결과를 얻으려면 카운터 블레이드(품목 B)와 파쇄 칼날(품목 A) 사이의 간격이 약 0.50mm 이어야 합니다.

플라스틱 하우스의 오른쪽에 조정 장치가 있습니다. 나사(품목 C)가 파쇄 날 쪽으로 이동하도록 손잡이를 시계 방향으로 돌립니다. 반 바퀴 돌리면 카운터 날이 파쇄 날에 0.50mm 더 가깝게 이동합니다. 이렇게 한 후 원하는 만큼 조정이 되었는지 확인하십시오.

**중요:** 파쇄날이 카운터 날에 닿으면 절단되어 작은 금속 조각이 배출구에서 떨어질 수 있습니다. 이것은 결함이 아니지만 필요한 만큼만 조정해야 합니다. 그렇지 않으면 카운터 블레이드가 조기 마모되기 때문입니다.

**카운터 블레이드를 더 이상 조정할 수 없으면 마모 한계에 도달한 것이므로 교체해야 합니다.**

### 중요: 작업용 장갑을 착용하십시오!

- **장비를 고고 전원 플러그를 뽑습니다.**
- 파쇄물 수거함을 풀어서 제거합니다.
- 카운터 블레이드(그림 15a/품목 6)를 설정하기 위한 손잡이를 약 5번 회전하여 풉니다.
- 4개의 육각 나사 (그림 15a/품목 K)를 완전히 풉니다. 육각 나사는 풀 수만 있고 제거할 수 없습니다.
- 장비 바닥면의 고정 나사(그림 15b/품목 L)를 멈출 때까지 풉니다. 고정 나사는 풀 수만 있고 제거할 수 없습니다.
- 이제 덮개를 벗길 수 있습니다(그림 15a/품목 M).
- 파쇄날(그림 16/항목 G)과 카운터 날(그림 16/항목 F)을 제거하고 확인할 수 있습니다.
- 마모되거나 손상된 부품은 교체해야 합니다.
- 제조업체에서 규정한 예비 부품만 사용하십시오(„예비 부품 주문“ 참조).

- 맞추려면 역순으로 진행하십시오. 파쇄 날이 올바르게 정렬되었는지 확인하십시오(날 톱니의 곡선 참고). 나사가 고정되어 있는지 확인하십시오.
- 마지막으로 위에서 설명한 대로 카운터 블레이드를 재설정해야 합니다.

## 7. 전원 케이블 교체

### 주의!

If기기의 전원 코드가 훼손 또는 손상되었을 경우, 제조사 또는 지정 서비스 센터 및 아인헬 수리 교육을 받은 기사를 통해 교체 서비스를 받아야 합니다.

## 8. 세척, 유지 보수 및 소모품 주문

### 주의!

기기의 세척 전 반드시 전원을 끄고 전원 케이블을 뽑은 상태에서 진행해 주십시오.

### 8.1 유지와 보관

- 기기를 정기적으로 청소하십시오. 이는 기기를 양호한 작동 상태로 유지하는 데 도움이 되며 긴 제품 수명의 기초가 됩니다.
- 작업 중에 통풍구를 깨끗하게 유지해 주십시오.
- 플라스틱 본체와 기타 주변 플라스틱 재질의 부품을 순한 중성 세제 및 젖은 천을 사용하여 닦으십시오. 강한 산성 및 알칼리성의 세제 및 용액을 사용하지 마십시오.
- 물을 뿌려서 기기를 세척하지 마십시오.
- 어떠한 경우에도 기기 안에 물이 유입되지 않도록 하십시오.
- 새시 본체 고정 나사가 단단히 조여져 있는지 수시로 확인하십시오.
- 기기를 장시간 사용하지 않을 경우 천연 오일을 사용하여 부식을 방지하여 주십시오.
- 건조한 장소에 기기를 보관하여 주십시오.
- 유아 및 어린이 손길이 닿지 않는 곳에 기기를 보관하여 주십시오.

**장비는 시즌이 끝나면 청소하고 보존해야 합니다.**

### 중요: 작업용 장갑을 착용하십시오!

4개의 육각 나사(그림 15a/품목 K)를 완전히 풀습니다. 육각 나사는 풀 수만 있고 제거할 수 없습니다. 장비 바닥면의 고정 나사(그림 15b/품목 L)를 멈출 때까지 풀습니다. 고정 나사는 풀 수만 있고 제거할 수 없습니다. 이제 덮개를 벗길 수 있습니다(그림 15a/품목 M). 모든 것을 다시 설치

하기 전에 절단 구획, 카운터 날 및 절단 장치를 청소하고 식물성 기름으로 양게 닦으십시오. 새 시즌이 시작될 때 카운터 블레이드는 6.8에 설명된 대로 올바르게 조정되어야 합니다.

### 8.2 소모품 및 교체 부품 주문:

소모품 및 교체품 주문 시 하기 사항을 표기해 주십시오:

- 기기 명칭 / 종류
- 기기 품번
- 소모품/ 교체품 품번

최신 가격표 및 상세 정보는

[www.Einhell-Service.com](http://www.Einhell-Service.com) 에서 확인할 수 있습니다.

절단 날의 교체 품번: 34.059.30

## 9. 기기의 폐기 및 재활용

운송 중 기기의 파손을 방지하기 위해 포장된 상태로 배송됩니다. 포장재를 포함한 모든 포장 재료는 재사용 및 재활용이 가능합니다.

기기와 액세서리는 금속 및 플라스틱과 같은 다양한 재료로 만들어집니다. 고장 난 기기를 가정에서 일반 쓰레기로 폐기하지 마십시오. 반드시 폐기물 종류에 맞게 분리하여 처리하십시오.

## 10. 보관

장비 및 액세서리는 영상 온도의 어둡고 건조한 장소에 보관하십시오. 이상적인 보관 온도는 5~30°C입니다. 전동 공구는 원래 포장 상태로 보관하십시오.

## 11. 기기 자가 진단 및 점검

오류	발생 원인	해결 방안
모터가 작동되지 않음	<ul style="list-style-type: none"> <li>- 정전</li> <li>- 모터 회로 차단기 작동</li> <li>- 안전 스위치가 접촉하지 않음</li> <li>- 회전 방향을 선택하는 스위치가 중앙 위치에 있음</li> </ul>	<ul style="list-style-type: none"> <li>- 주전원 리드, 플러그, 퓨즈 확인</li> <li>- 재설정 버튼 누르기(6.5항 참조).</li> <li>- 파쇄물 수거함을 올바르게 삽입하고 맞물릴 때까지 안전 스위치를 위쪽으로 밀기</li> <li>- 스위치의 회전 방향 설정</li> </ul>
분쇄기에 파쇄물 재 료가 흡입되지 않음	<ul style="list-style-type: none"> <li>- 파쇄 칼날이 역방향으로 회전</li> <li>- 파쇄물 주입 통로 막힘</li> <li>- 파쇄물 끼임</li> </ul>	<ul style="list-style-type: none"> <li>- 회전 방향을 변경</li> <li>- 회전 방향을 변경하고 주입통로에서 재료를 당기기. 날이 이전에 절단한 노지에 즉시 다시 맞물리지 않도록 두꺼운 가지를 다시 공급</li> <li>- 회전 방향을 변경. 이제 칼날이 걸린 재료를 풀어줍니다.</li> </ul>
파쇄 성능 부족	<ul style="list-style-type: none"> <li>- 카운터 블레이드가 바로 설정되지 않음</li> </ul>	<ul style="list-style-type: none"> <li>- 카운터 블레이드 조정. (6.8 부 참조)</li> </ul>

## 서비스 문의

품질 보증서에 명시된 바와 같이 여러 국가에 공식 인증 서비스 센터가 위치하고 있으며, 연락처 세부 정보를 확인할 수 있습니다. 이러한 서비스 파트너는 수리, 부속품 및 교체품 주문 또는 소모품 구매와 같은 모든 종류의 서비스 요청을 처리합니다.

본 기기의 하기 명시된 부속품은 기본 소모품 또는 자연적 소모품으로 대체품의 용도로 사용됩니다.

구분	예시
소모품	
일반 소모품	
분실한 부품	

본 기기의 하자 또는 결함이 발견될 경우, 이메일 주소 [leecho94@naver.com](mailto:leecho94@naver.com) 으로 문의하시기 바랍니다. 제품의 상태 및 문제점에 대해 상세히 기술하시고 하기 사항에 답변해 주시기 바랍니다.

- 기기가 처음부터 제대로 작동했는지 여부, 결함이 있었는지 여부
- 기기가 작동하지 않기 전에 증상 또는 결함이 있었는지 확인 여부
- 기기의 오작동 증상은 무엇인지, 고장 및 상태에 대해 기술

## 품질 보증서

고객님께,

당사의 모든 제품은 엄격한 품질 검사를 거쳐 완벽한 상태로 고객에게 전달됩니다.

기기에 고장 또는 결함이 발생한 경우, 보증서에 명시된 주소의 당사 서비스 부서로 문의하십시오. 보증서에 표기된 서비스 번호로 유선상으로도 문의가 가능합니다. 품질 보증에 의한 처리가 가능한 세부 명시는 하기를 참조하시기 바랍니다.

1. 본 보증은 소비자에게만 적용됩니다. 즉, 본 기기를 상업적 용도 또는 기타 자영업 목적의 용도로 사용하지 않는 일반 구매자에게 적용됩니다. 이 보증 조항은 추가 보증 서비스를 규제하며, 하기에 명시된 제조업자는 법적 보증의 권리 외에도 새로운 제품의 구매자에게 적용됩니다. 귀하의 법적 보증 클레임 청구의 경우, 본 보증서의 영향을 받지 않게 되며, 본 보증은 무료입니다.
  2. 보증 서비스는 하기에 언급된 바와 같이 제조업체로부터 구매한 제품의 자재 또는 제조상 결함으로 인한 불량건만을 대상으로 하며, 제품 결함 또는 하자에 대한 수리 또는 교환으로 제한됩니다. 당사의 기기는 상업용, 상거래용 및 전문적 용도의 목적으로 제작되지 않았습니다. 상업적인 용도, 상거래 및 산업적인 목적의 용도로 기기를 사용했을 경우나 보증 기간 동안 비슷한 조건에 노출되었을 경우 보증 계약이 성립되지 않습니다.
  3. 다음 사항은 당사의 품질 보증 조건에 포함되지 않습니다.
    - 조립 지침을 따르지 않았거나 잘못된 조립으로 하여 기기가 고장 또는 손상된 경우, 작동 지침을 따르지 않은 경우 (예: 주 전원 연결이 잘못된 경우) 또는 유지 보수 및 취급 설명서, 안전 지침을 따르지 않은 경우, 장비의 잘못된 보관으로 외부에 노출되거나 유지 보수가 올바르게 이행되지 않은 경우
    - 기기의 과부하 또는 잘못된 사용 (예: 기기 또는 사용/ 승인되지 않은 공구 또는 액세서리 과부하), 기기에 이물질 유입 (예: 모래, 돌, 흙, 먼지, 배송 중 손상)으로 인한 기기 손상, 외부 환경에 의한 기기 손상 (예: 제품의 낙하)
    - 일반적인 마모 또는 정상적 장비 사용으로 인한 부품, 소모품의 마모
  4. 품질 보증 청구는 기기 구매일로부터 12개월 동안 유효합니다. 보증인 청구는 제품의 하자, 또는 결함이 발견된 후 2주 이내에 보증 기간이 종료되기 전에 제출/처리되어야 합니다. 보증 기간 종료 후에는 품질 보증 청구가 불가능합니다. 기기의 수리 또는 부품 교체 처리가 될 경우에도 보증 기간은 유효기간 내에 본 기기에 계속적으로 적용됩니다. 이 경우, 기기의 수리 또는 부품의 교체로 하여 보증 기간에 영향을 미치지 않으며 그대로 유지됩니다. 또한 현장에서 실시간 서비스를 받게 되는 경우에도 동일하게 적용됩니다.
  5. 보증 처리 청구 신청의 경우, 하자 또는 결함이 있는 기기가 구입처에 등록되어 있어야 하며, 제품에 대한 구매 영수증 또는 구매에 대한 증빙 서류가 필요합니다. 구매 증빙 서류가 없거나 제품 표기가 없는 기기는 제품 자체의 확인 여부가 불분명하기 때문에 보증 대상에서 제외됩니다. 제품의 결함이 당사의 보증 범위 내에 해당되는 경우, 해당 기기는 즉시 수리되어 배송되거나 새 제품으로 교환 처리 됩니다. 또한, 보증에서 포함되지 않는 경우의 제품 결함 또는 하자에 대해서도 당사의 서비스 센터를 통해 유선 상으로 A/S 받으실 수 있습니다. 본 서비스 이용의 경우 당사 서비스 센터로 연락하십시오. 본 사용설명서/ 취급 시 유의사항에 명시된 일반 부품 및 소모품, 분실된 부품에 대해서 보증서의 상세 설명을 참조하시기 바랍니다. 소모품의 경우, 해당 결함 및 하자 사항에 대한 내용을 명시된 이메일 주소로 구매일 기준으로 해당 기한 내에 접수된 경우에 한해 보장 처리 및 보상이 가능합니다.
    - 일반 소모품의 경우: 구매일로부터 24시간 이내
    - 미 배송 부품: 구매일로부터 제 5 영업일 이내
    - 부품의 마모: 구매일로부터 6개월 이내
- \* 반드시 구매 일자 및 청구서가 함께 동봉되어야 합니다.

**#A/S 및 고객상담: 031-836-6303 / 판매자 (수입처) 이조무역 / 경기도 양주시 백석읍 부흥로 1114**











EH 02/2023 (01)

