

**GARDENLINE®**

# 36v Cordless Hedge Trimmer

## User Guide



### **After Sales Support**

Now you have purchased a Gardenline® product you can rest assured in the knowledge that as well as your 3 year parts and labour guarantee you have the added peace of mind of dedicated helplines and web support.



# GARDENLINE®

Cordless Hedge Trimmer

## Warranty Details

The product is guaranteed to be free from defects in workmanship and parts for a period of 36 months from the date of purchase. Defects that occur within this warranty period, under normal use and care, will be repaired, replaced or refunded at our discretion. There will be no returns accepted with products containing fuel. The benefits conferred by this warranty are in addition to all rights and remedies in respect of the product that the consumer has under the Competition and Consumer Act and similar state and territory laws.

Our goods come with guarantees that cannot be excluded under the Australian Consumer Law. You are entitled to a replacement or refund for a major failure and for compensation for any other reasonably foreseeable loss or damage. You are also entitled to have the goods repaired or replaced if the goods fail to be acceptable quality and the failure does not amount to a major failure.

### After Sales Support

Telephone: 1300 922 271  
Email: [service.australia@isc-gmbh.info](mailto:service.australia@isc-gmbh.info)



### AFTER SALES SUPPORT



1300 922 271



[service.australia@isc-gmbh.info](mailto:service.australia@isc-gmbh.info)

# Contents

---

6	<b>Safety Information</b>
9	<b>Layout</b>
9	<b>Items Supplied</b>
9	<b>Intended Use</b>
10	<b>Technical Data</b>
10	<b>Before Starting The Equipment</b>
11	<b>Operations</b>
12	<b>Cleaning, Maintenance and Ordering Spare Parts</b>
12	<b>Storage and Transport</b>
13	<b>Disposal and Recycling</b>
14	<b>Troubleshooting</b>

## What your 3 year warranty means

Congratulations on choosing to buy a Gardenline® product. By doing so you now have the assurance and peace of mind that comes with purchasing a product made by one of Australia's leading suppliers.

All products brought to you by Gardenline® are manufactured to the highest standards of performance and safety, and, as part of our philosophy of customer service and satisfaction, are backed by our comprehensive 3 Year Guarantee.

We hope you will enjoy using your purchase for many years to come.

## AFTER SALES SUPPORT



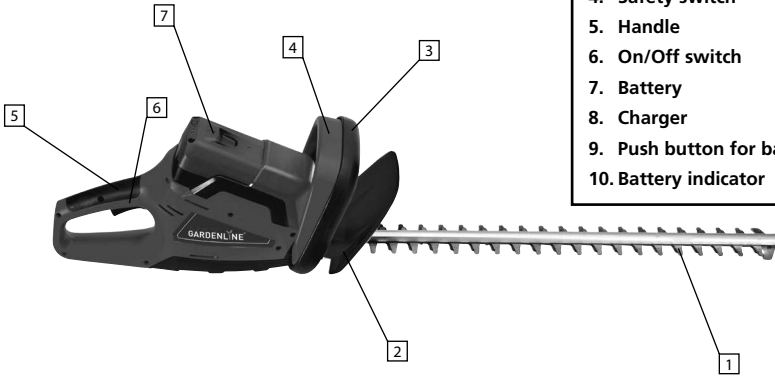
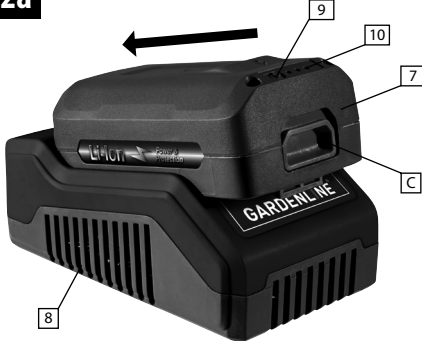
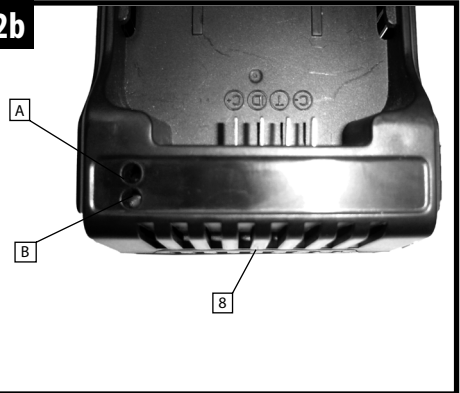
1300 922 271



[service.australia@isc-gmbh.info](mailto:service.australia@isc-gmbh.info)

**1****Layout (Fig. 1/2)**

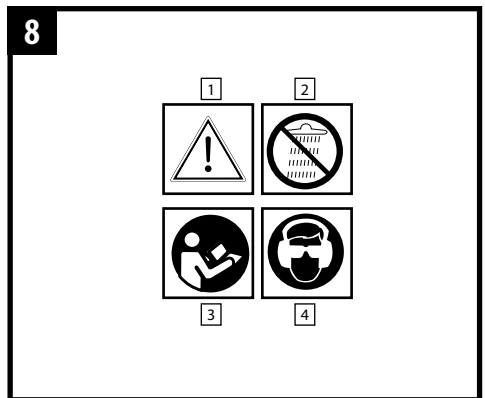
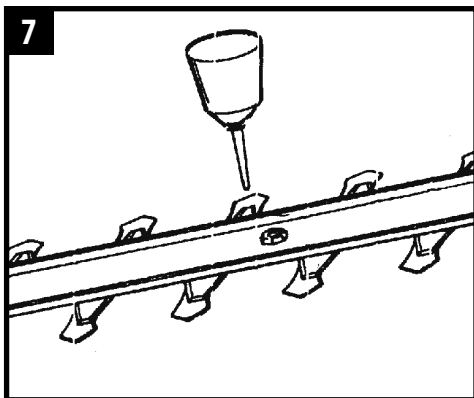
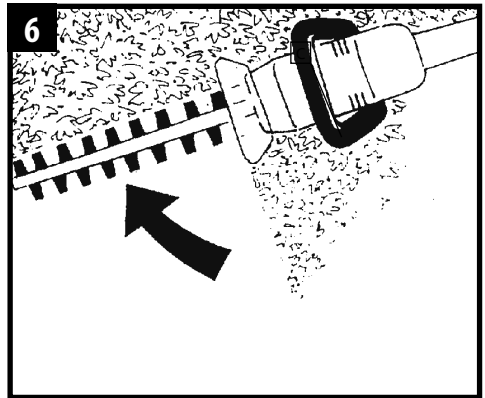
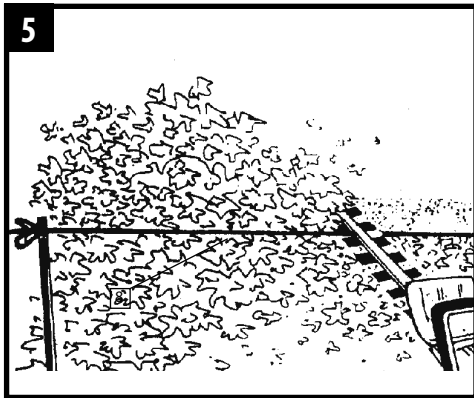
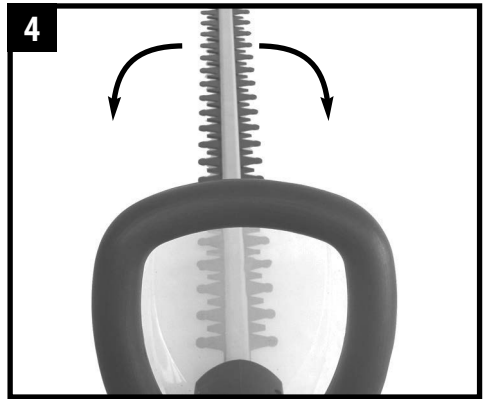
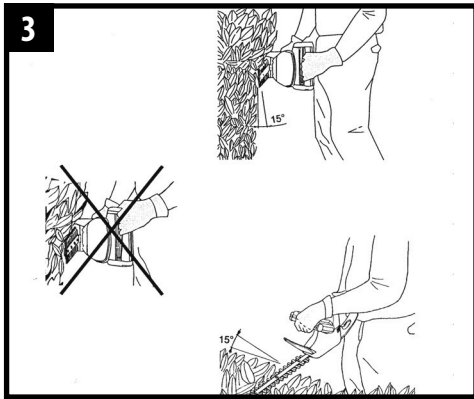
1. Cutter rail
2. Hand guard
3. Additional handle
4. Safety switch
5. Handle
6. On/Off switch
7. Battery
8. Charger
9. Push button for battery indicator
10. Battery indicator

**2a****2b****AFTER SALES SUPPORT**

1300 922 271



service.australia@isc-gmbh.info



## AFTER SALES SUPPORT



1300 922 271



service.australia@isc-gmbh.info

### Important!

When using equipment, a few safety precautions must be observed to avoid injuries and damage. Please read the complete operating manual with due care. Keep this manual in a safe place, so that the information is available at all times. If you give the equipment to any other person, give them these operating instructions as well. We accept no liability for damage or accidents which arise due to non-observance of these instructions and the safety information.

## Safety Information

# 1

### CAUTION!

**Read all safety regulations and instructions.** Any errors made in following the safety regulations and instructions may result in an electric shock, fire and/or serious injury.  
**Keep all safety regulations and instructions in a safe place for future use.**

### Explanation of the warning signs on the machine (Figure 8)

1. **Warning!**
2. **Do not expose the hedge trimmer to rain or wet conditions!**
3. **Read the instructions for use before use!**
4. **Wear eye protection and ear plugs!**

### General safety regulations for this electrical tool

- This equipment is not designed to be used by people (including children) with limited physical, sensory or mental capacities or those with no experience and/or knowledge unless they are supervised by a person who is responsible for their safety or they have received instructions from such a person in how to use the equipment safely.
- Children must always be supervised in order to ensure that they do not play with the equipment.

### WARNINGS

- Do not touch the cutters until the battery has been removed from the machine and the cutters have reached a complete standstill.
- Remove the battery from the machine:
  - whenever you leave the machine unattended;
  - before releasing a blocked cutter;
  - before inspecting or cleaning and before working on the machine;
  - if a foreign body has been struck;

- whenever the machine starts to vibrate oddly.

- Carefully read the instructions for how to operate the machine safely.

### Note

- a. Read the directions with due care. Familiarise yourself with the operator controls and proper operation of the machine.
- b. Never allow children or other persons who are not familiar with the operating instructions to use the hedge trimmer. Contact your local government agency for information regarding minimum age requirements for the user.
- c. Never cut in the direct vicinity of persons - especially children - or animals.
- d. Always keep in mind that the operator or user of the equipment is responsible for accidents involving other persons and/or their property.

### Preliminary measures

1. **Keep work area clean**  
Cluttered areas and benches invite injuries.
2. **Consider work area environment**  
Don't expose power tools to rain. Don't use power tools in damp or wet locations. Keep work area well lit. Don't use power tools in presence of flammable liquids or gases.
3. **Guard against electric shock**  
Prevent body contact with grounded surface (e.g. pipes, radiators, ranges refrigerators).
4. **Keep children away**  
Do not let visitors contact tool. All visitors should be kept away from work area.
5. **Store idle tools**  
When not in use, tools should be stored in dry, high, or locked-up place, out of the reach of children.
6. **Don't force tool**  
It will do the job better and safer at the rate for which it was intended.
7. **Use right tool**  
Don't force small tools or attachments to do the job of heavy duty tool. Don't use tools for purposes not intended: for example, don't use circular saw for cutting tree limbs or logs.
8. **Dress properly**  
Do not wear loose clothing or jewellery. They can be caught in moving parts. Rubber gloves and nonskid footwear are recommended when working outdoors. Wear protective hair covering to contain long hair.
9. **Use safety glasses**  
Also use face or dust mask if cutting operation is dusty.
10. **Don't overreach**  
Keep proper footing and balance at all times.



### 11. Maintain tools with care

Keep tools sharp and clean for better and safer performance. Follow instructions for lubricating and changing accessories. Inspect tool cords periodically and, if damaged, have repaired by authorised service facility. Inspect extension cords periodically and replace if damaged. Keep handles dry, clean and free from oil and grease.

### 12. Disconnect tools

When not in use, before servicing, and when changing accessories such as blades, bits and cutters.

### 13. Remove adjusting keys and wrenches

Form the habit of checking to see that keys and adjusting wrenches are removed from tool before turning it on.

### 14. Avoid unintentional starting

Don't carry tool with finger on switch. Be sure switch is off when inserting the battery.

### 15. Stay alert

Watch what you are doing. Use common sense. Do not operate tool when you are tired.

### 16. Check damaged parts

Before further use of the tool, a guard or other part that is damaged should be carefully checked to determine that it will operate properly and perform its intended function. Check for alignment of moving parts, binding of moving parts, breakage of parts, mounting, and any other conditions that may affect its operation. A guard or other part that is damaged should be properly repaired or replaced by an authorised service centre unless otherwise indicated elsewhere in this instructions manual. Have defective switches replaced by an authorised service centre. Do not use tool if switch does not turn it on and off.

### 17. Warning

The use of any other accessory or attachment other than recommended in this operating instruction may present a risk of personal injury.

### 18. Have your tool repaired by an expert

This electric appliance is in accordance with the relevant safety rules. Repairing of electric appliances may be carried out only by experts otherwise it may cause considerable danger for the user.

### 19. Noise level

The noise level of this power tool is measured according to EN 10518. Noise level at work area can exceed 85 dB (A). In that case operators should protect themselves against damage to hearing.

## CAREFUL HANDLING AND USE OF CORDLESS EQUIPMENT

- Ensure that the equipment is switched off before you insert the battery.

- Inserting a battery into an electric tool that is switched on can cause accidents.
- Only charge the batteries in chargers that are recommended by the manufacturer. A charger that is designed for a certain type of batteries may pose a fire risk if it is used with other types of batteries.
- Use only the correct batteries in the electric tools. The use of other batteries may result in injuries and a fire risk.
- Keep unused batteries away from paper clips, coins, keys, nails, screws and other metallic objects that could cause a short circuit between the contacts. A short circuit between the battery contacts may cause burns or a fire.
- In case of incorrect use, fluid may escape from the battery. Avoid contact with it. If you touch it by mistake, rinse the affected area with water. If you get the fluid in your eyes, also seek medical advice. Leaking battery fluid can cause skin irritation or burns.

### Additional safety instructions

We pay a great deal of attention to the design of every battery pack to ensure that we supply you with batteries which feature maximum power density, durability and safety. The battery cells have a wide range of safety devices. Each individual cell is initially formatted and its electrical characteristic curves are recorded. These data are then used exclusively to be able to assemble the best possible battery packs.

**Despite all the safety precautions, caution must always be exercised when handling batteries.**

**The following points must be obeyed at all times to ensure safe use. Safe use can only be guaranteed if undamaged cells are used. Incorrect handling can cause cell damage.**

**Important:** Analyses confirm that incorrect use and poor care are the main causes of the damage caused by high performance batteries.

### Information about the battery

1. The battery pack supplied with your cordless tool is not charged. The battery pack has to be charged before you use the tool for the first time.
2. For optimum battery performance avoid low discharge cycles. Charge the battery pack frequently.
3. Store the battery pack in a cool place, ideally at 15°C and charged to at least 40%.
4. Lithium-Ion batteries are subject to a natural ageing process. The battery pack must be replaced at the latest when its capacity falls to just 80% of its capacity when new. Weakened cells in an aged battery pack are no longer capable of meeting the high power requirements and therefore pose a safety risk.

## AFTER SALES SUPPORT



1300 922 271



service.australia@isc-gmbh.info

5. Do not throw battery packs into an open fire. There is a risk of explosion!
6. Do not ignite the battery pack or expose it to fire.
7. **Do not exhaustively discharge batteries.** Exhaustive discharge will damage the battery cells. The most common cause of exhaustive discharge is lengthy storage or non-use of partly discharged batteries. Stop working as soon as the performance of the battery falls noticeably or the electronic protection system triggers. Place the battery pack in storage only after it has been fully charged.
8. **Protect batteries and the tool from overloads.** Overloads will quickly result in overheating and cell damage inside the battery housing without this overheating actually being apparent externally.
9. **Avoid damage and shocks.** Replace batteries which have been dropped from a height of more than one metre, or which have been exposed to violent shocks without delay, even if the housing of the battery pack appears to be undamaged. The battery cells inside the battery may have suffered serious damage. In this respect, please also read the waste disposal information.
10. If the battery pack suffers overloading and overheating, the integrated protective cut-off will switch off the equipment for safety reasons.  
**Important.** Do not press the ON/OFF switch any more if the protective cut-off has actuated. This may damage the battery pack.
11. Use only original battery packs. The use of other batteries may result in injuries, explosion and a fire risk.

#### **Information on chargers and the charging process**

1. Please check the data marked on the rating plate of the battery charger. Be sure to connect the battery charger to a power supply with the voltage marked on the rating plate. Never connect it to a different mains voltage.
2. Protect the battery charger and its cable from damage and sharp edges. Have damaged cables repaired without delay by a qualified electrician.
3. Keep the battery charger, batteries and the cordless tool out of children's reach.
4. Do not use damaged battery chargers.
5. Do not use the supplied battery charger to charge other cordless tools.
6. In heavy use the battery pack will become warm. Allow the battery pack to cool to room temperature before commencing with the charging.
7. Do not over-charge batteries.  
**Do not exceed the maximum charging times.** These charging times only apply to discharged batteries. Frequent insertion of a charged or partly charged battery pack will result in over-charging and cell damage. Do not leave batteries in the charger for days on end.
8. Never use or charge batteries if you suspect that the last time they were charged was more than 12 months previously. There is a high probability that the battery pack has already suffered dangerous damage (exhaustive discharge).
9. Charging batteries at a temperature below 10°C will cause chemical damage to the cell and may cause a fire.
10. Do not use batteries which have heated during the charging process, as the battery cells may have suffered dangerous damage.
11. Do not use batteries which have suffered curvature or deformation during the charging process or which show other non-typical symptoms (gassing, hissing, cracking, etc).
12. **Never fully discharge the battery pack** (recommended depth of discharge max. 80%) A complete discharge of the battery pack will lead to premature ageing of the battery cells.
13. Never charge the batteries unsupervised.

#### **Protection from environmental influences**

1. Wear suitable work clothes. Wear safety goggles.
2. Protect your cordless tool and the battery charger from moisture and rain. Moisture and rain can cause dangerous cell damage.
3. Do not use the cordless tool or the battery charger near vapors and inflammable liquids.
4. Use the battery charger and cordless tools only in dry conditions and an ambient temperature of 10-40°C.
5. Do not keep the battery charger in places where the temperature is likely to reach over 40°C. In particular, do not leave the battery charger in a car that is parked in the sunshine.
6. Protect batteries from overheating. Overloads, over-charging and exposure to direct sunlight will result in overheating and cell damage. Never charge or work with batteries which have been overheated – replace them immediately if possible.





7. Storage of batteries, battery chargers and cordless tools. Store the charger and your cordless tool only in dry places with an ambient temperature of 10-40°C. Store your lithium-ion battery pack in a cool, dry place at a temperature of 10-20°C. Protect them from humidity and direct sunlight. Only place fully charged batteries in storage (charged at least 40%).
8. Prevent the lithium-ion battery pack from freezing. Battery packs which were stored below 0°C for more than 60 minutes must be disposed of.
9. When handling batteries beware of electrostatic charge: Electrostatic discharges cause damage of the electronic protection system and the battery cells. Avoid electrostatic charging and never touch the battery poles.



Batteries contain substances harmful to the environment. Never place batteries in your household refuse, in fire or in water. Batteries should be collected, recycled or disposed of in an environmentally friendly way. Seek advice on correct disposal from local waste authorities.

Do not lose this safety information.

## Layout (Fig. 1/2)

# 2

1. Cutter rail
2. Hand guard
3. Additional handle
4. Safety switch
5. Handle
6. On/Off switch
7. Battery
8. Charger
9. Push button for battery indicator
10. Battery indicator

## Items Supplied

# 3

- Open the packaging and take out the equipment with care.
- Remove the packaging material and any packaging and/or transportation braces (if available).
- Check to see if all items are supplied.
- Inspect the equipment and accessories for transport damage.
- If possible, please keep the packaging until the end of the warranty period.

### Important!

**The equipment and packaging material are not toys. Do not let children play with plastic bags, foils or small parts.**

**There is a danger of swallowing or suffocating!**

- Cordless Hedge Trimmer
- 36V; 2.6Ah Battery
- Charger
- Blade Cover
- Instruction Guide
- Quick Start Guide
- Warranty Certificate
- Warranty Sticker

## Intended Use

# 4

This hedge trimmer is suitable for cutting hedges, bushes and shrubs.

The machine is to be used only for its prescribed purpose. Any other use is deemed to be a case of misuse. The user / operator and not the manufacturer will be liable for any damage or injuries of any kind caused as a result of this.

Please note that our equipment has not been designed for use in commercial, trade or industrial applications. Our warranty will be voided if the machine is used in commercial, trade or industrial businesses or for equivalent purposes.

## AFTER SALES SUPPORT



1300 922 271



service.australia@isc-gmbh.info

9

MODEL NUMBER: GL-CH 36 Li, 02/14

Battery Voltage	36V DC
Capacity	2.6 Ah
Charger output voltage	42V DC
Charger current voltage	2 A
No load speed	3000rpm
Cutting capacity	20 mm
Blade length	55 cm
Weight	4.7 kg
Charging time	100 min

## Sound and Vibration

Sound pressure level LpA	83 dB(A)
Uncertainty KpA	3 dB
Sound power level LWA	94 dB(A)
Uncertainty KWA	3 dB

Wear ear-protectors.  
The impact of noise can cause damage to hearing.

## Functions

Vibration emission value  $a_h = 1.946 \text{ m/s}^2$   
K uncertainty =  $1.5 \text{ m/s}^2$

## Reduce noise generation and vibration to a minimum!

- Use only equipment that is in perfect condition.
- Maintain and clean the equipment regularly.
- Adopt your way of working to the equipment.
- Do not overload the equipment.
- Have the equipment checked if necessary.
- Switch off the equipment when not in use.
- Wear gloves.

# Before starting the equipment 6

## 6.1 Battery (Fig. 2a/ Item 7)

The equipment is fitted with a lithium-ion battery. The battery pack is completely closed and maintenance free.

## 6.1.1 Battery charge level indicator (Fig. 2a)

The battery pack is equipped with a pushbutton for checking the charge level. Simply press the pushbutton (Figure 2a/Item 9) to read off the battery level from the LEDs of the battery indicator (Fig. 2a/ Item 10):

- All 3 level monitoring LEDs are lit: Battery charge level is high.
- 2 level monitoring LEDs are lit: Battery charge level is decreasing. Stop work as soon as possible.
- 1 level monitoring LED is lit: Battery is flat. Stop work IMMEDIATELY and charge the battery. Otherwise the battery's service life will be greatly shortened.

## 6.1.2 Charging the battery

- Pull the pushlock button (Fig. 2a/ Item c) and pull the battery pack (7) up and out of the equipment.
- Check that your mains voltage is the same as that marked on the rating plate of the battery charger. Insert the power plug of the charger into the mains socket outlet. The LED A (Fig. 2b) will then illuminate in green.
- Push the battery onto the charger as shown in Fig. 2a. The LED B will illuminate in red while LED A is still green (Fig. 2b).
- The battery is fully charged when LED A and B (Fig. 2b) are illuminated in green.
- Pull the pushlock button (Fig. 2a/ Item c) and pull the battery pack (7) out of the charger.

If the rechargeable battery pack fails to charge, check whether there is voltage at the socket outlet. If you still fail to charge the battery pack, please call our customer service centre on 1300 922 271. Timely recharging of the battery will help it serve you well for a long time. You must recharge the battery pack when you notice that the power of the equipment drops.

Never allow the battery pack to become fully discharged. This will cause it to develop a defect.

# Operations 7

## 7.1 Starting the Hedge Trimmer

The hedge trimmer is equipped with a two-handed safety switch. The machine works only when the On/Off switch on the steady grip (Figure 1 / Item 6) is pressed with one hand and the safety switch on the additional handle



(Figure 1 / Item 4) is pressed with the other hand. If either switch is released, the cutters will stop moving.

Please watch out for the cutters as they slow down to a standstill.

#### Notes on working practice

- A hedge trimmer can be used to cut shrubs and bushes as well as hedges.
- To obtain the best cutting results, hold the hedge trimmer so that the cutter teeth are at an angle of approx. 15° in relation to the hedge (see Figure 3).
- The twin-bladed cutters rotate in opposite directions, thus enabling cutting in both directions (see Figure 4).
- It is recommended to tie a guide line of string or the like along the hedge so that you cut the hedge to a level height. Cut off all branches which protrude beyond the guide line (see Figure 5).
- Cut the sides of the hedge with curve-shaped movements from the bottom up (see Figure 6).

## Cleaning, Maintenance and Ordering Spare Parts 8

Turn off and remove the rechargeable battery from the hedge trimmer, before putting down or cleaning.

### 8.1 Cleaning

- Keep all safety devices, air vents and the motor housing free of dirt and dust as far as possible.
- Wipe the equipment with a clean cloth or blow it with compressed air at low pressure.
- We recommend that you clean the device immediately each time you have finished using it.
- Clean the equipment regularly with a moist cloth and some soft soap. Do not use cleaning agents or solvents; these could attack the plastic parts of the equipment. Ensure that no water can seep into the device.
- Remove deposits from the guard hood with a brush

### 8.2 Carbon brushes

- In case of excessive sparking, have the carbon brushes checked only by a qualified electrician.

**Important!** The carbon brushes should not be replaced by anyone but a qualified electrician.

### 8.3 Maintenance

- The cutters should be cleaned and lubricated at regular intervals in order to ensure best performance at all times. Remove deposits with a brush and apply a thin film of oil (Figure 7).
- There are no parts inside the equipment which require additional maintenance.

### 8.4 Ordering replacement parts

Please call our customer service centre on 1300 922 271 and provide the following information on all orders for spare parts:

- Model/type of the equipment
- Article number of the equipment
- ID number of the equipment
- Spare part number of the required spare part

## Storage and Transport 9

Store the equipment and accessories out of children's reach in a dark and dry place at above freezing temperature. The ideal storage temperature is between 0-40°C for the cordless tool and charger and between 10 and 20°C for the Li-Ion battery. Store the electric tool in its original packaging.

## Disposal and Recycling 10

The equipment is supplied in packaging to prevent it from being damaged in transit. The raw materials in this packaging can be reused or recycled. The equipment and its accessories are made of various types of material, such as metal and plastic. Defective components must be disposed of as special waste. Ask your local council.



GARDENLINE® is a registered trademark of ALDI Stores.

**ALDI Guarantee**

Specially made for ALDI Stores to our stringent quality specifications. If you are not entirely satisfied with this product, please return it to your nearest ALDI Store, within 60 days from the date of purchase, for a full refund or replacement, or take advantage of our after sales support by calling the Customer Service Hotline.

ALDI STORES  
1 SARGENTS ROAD  
MINCHINBURY NSW 2770  
[www.aldi.com.au](http://www.aldi.com.au)

02/2014  
Art.Nr: 34.106.70-11013

**AFTER SALES SUPPORT**



1300 922 271



[service.australia@isc-gmbh.info](mailto:service.australia@isc-gmbh.info)