



Einhell

ACCESSORY

Stationary Saw Accessory

MSS 1608

Item No.: 4310614

Ident No.: 21010

Bar Code: 4006825660050

The Einhell mitre saw accessory MSS 1608 is a stable and helpful base frame for precise and comfortable assignments using mitre saws. It's sturdy and high-quality construction caters for stability. This base frame for crosscut saws can be folded to save you precious storage space. Its pull-out workpiece supports are adjustable in height and prove particularly practical when dealing with large workpieces. Rollers on the bilateral supports help to protect the workpieces from stress.

Features & Benefits

- Sturdy and high-quality construction
- The crosscut saw base frame can be folded to save space
- Pull-out workpiece supports for large workpieces
- Rollers on the supports for gentle contact with the workpieces
- Adjustable workpiece supports for ergonomic operation

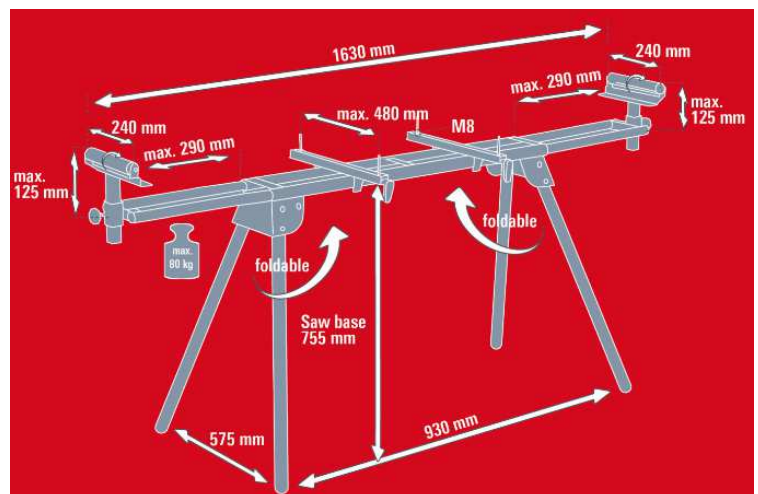


Technical Data

- Size of mounting nut metric 8 mm
- Max. load 80 kg

Logistic Data

- Product weight 9.5 kg
- Gross weight single pack. 11.5 kg
- Dimensions single packaging 1100 x 275 x 115 mm
- Pieces per export carton 1 Piece
- Gross weight export carton 11.5 kg
- Dimensions export carton 1100 x 275 x 115 mm
- Container quantity (20"/40"/40"HC) 800 | 1640 | 1922



**WIDTH
ADJUSTABLE**



**HEIGHT
ADJUSTABLE**



FOLDABLE