



# CinHELL

**BLUE**

## BT-BD 401 Bench Drill

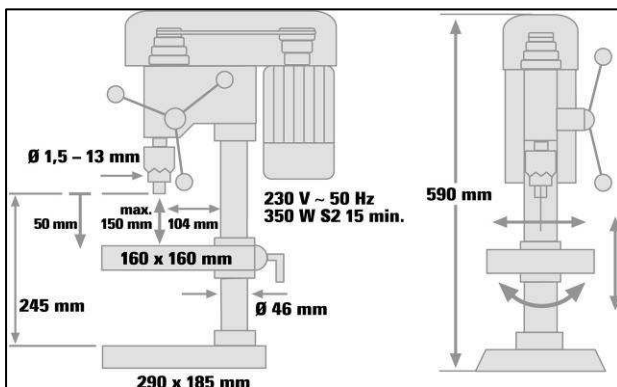
Art.-No. 42.504.20

### Features

- High-grade gummed handles (1)
- Continuously adjustable table height (2)
- Stable foot with ground plate (3)
- Folding chip guard (4)
- Gear ring drill chuck (5)
- ON/OFF switch with zero voltage releasing
- Adjustable depth gauge for precise drilling (6)
- Tilttable and pivotable drill table
- 5-fold speed grading from 580 – 2,650 min<sup>-1</sup>
- Ball bearing drill spindle

### Technical Data

- |                        |   |
|------------------------|---|
| ■ Mains:               | 230 V ~ 50 Hz                           |
| ■ Power:               | 350 W S2 15 min                         |
| ■ Spindle speed:       | 580 – 2,650 min <sup>-1</sup> (5 steps) |
| ■ Tilt drill table:    | -45° to +45°                            |
| ■ Drill chuck mount:   | B16                                     |
| ■ Drill diameter:      | Ø 1.5 - 13 mm                           |
| ■ Throat:              | 104 mm                                  |
| ■ Max. drilling depth: | 50 mm                                   |
| ■ Net weight:          | 16.5 kg                                 |
| ■ Gross weight:        | 18.0 kg                                 |
| ■ Packing dimensions:  | 435 x 345 x 235 mm                      |
| ■ Bar code:            | 4006825 505047                          |
| ■ Sales unit:          | 1 pc                                    |



As special accessory available:

**Bench vice**

Art.-No.: 42.257.06

Bar code: 4006825 421002