

Quick start guide

2400 W Electric Impact Shredder



! Read the safety instructions in the user guide before you start.

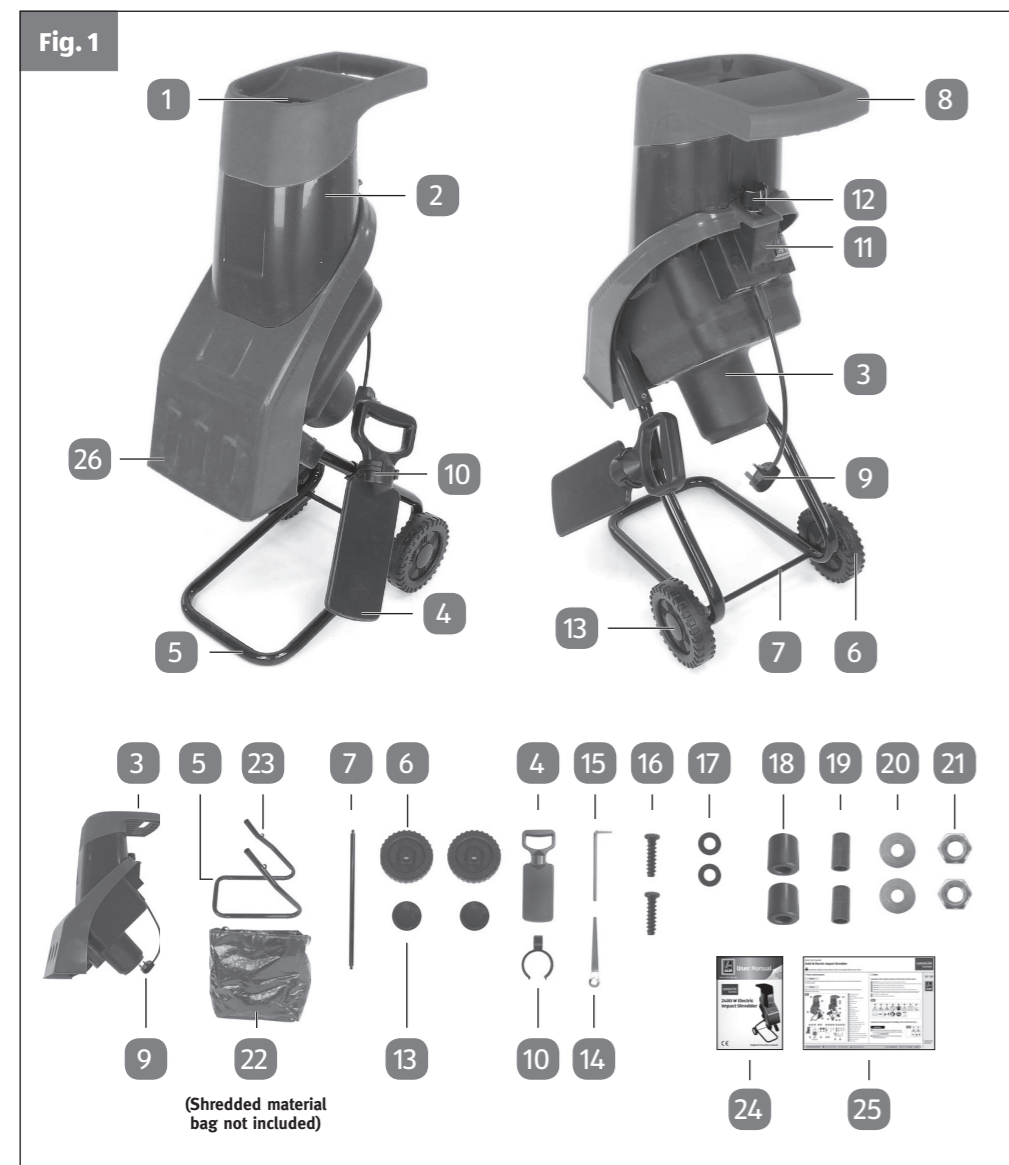
1. Pack contents/parts

NOTICE!

This quick start guide is intended for experienced users. Please refer to the main Instruction Manual for further details.

NOTICE!

Diagram numbers refer to those in the main Instruction Manual. Please refer to the main Instruction Manual if you are unsure.



- 1 Loading tunnel inlet
- 2 Loading tunnel
- 3 Motor housing with cutter plate
- 4 Plunger
- 5 Complete chassis
- 6 Wheels – 2pcs
- 7 Axle
- 8 Transport handle
- 9 Mains plug
- 10 Mounting for plunger
- 11 On/Off switch
- 12 Release screw
- 13 Wheel hubs – 2pcs
- 14 Ring wrench - 12mm
- 15 Hexagon Allen key
- 16 Screw for chassis assembly – 2pcs
- 17 Washer for chassis assembly – 2pcs
- 18 Sleeve (Thick-short) – 2pcs
- 19 Sleeve (Thin-long) – 2pcs
- 20 Washer, outside – 2pcs
- 21 Hexagon Nut – 2pcs
- 22 Shredded material bag (Not included)
- 23 Hooks on chassis for shredder debris bag
- 24 Original operating & safety instructions
- 25 Quick set-up guide
- 26 Ejector chute

2. Safety

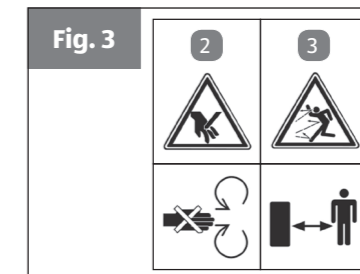
Explanation of the symbols and types of instructions used (See Fig. 2)

- 1 **Warning!** Read the user manual and follow the warnings and safety instructions.
- 2 Take care when the blades are rotating. Do not put your hands or feet into openings when the machine is running.
- 3 **Important!** Keep other persons and animals away from the danger zone.
- 4 **Important!** Protect the machine from the damp and never expose it to rain.
- 5 **Important!** Always wear safety goggles, ear defenders, protective gloves and heavy-duty work clothes!
- 6 Always set the ON/OFF switch to OFF and pull the power plug out of the socket-outlet before doing any work on the shredder, e.g. cleaning the shredder and making adjustments, or if the power cable becomes damaged.
- 7 Protection class II; double-insulated
- 8 Noise emission complies with Directive 2000/14/EC!



Explanation of the pictograms for handling on the machine (See Fig. 3)

- ! DANGER!**
- 2 Take care when the blades are rotating. Do not put your hands or feet into openings when the machine is running. **RECOMMENDED!**
 - 3 **Important!** Keep other persons and animals away from the danger zone.



GB IRE



Continued overleaf...

3. Set up

Before starting the equipment

This impact shredder is delivered unassembled and requires complete assembly before use.

⚠ CAUTION!

Check that all parts of the impact shredder are in the box before starting to assemble.

1. First Use

Checking the shredder and product contents

- Carefully take the impact shredder out of the packaging.
- Check to make sure that the delivery is complete (see fig. 1).
- Check whether the impact shredder or the parts exhibit any damage.
- In the event of damages or missing parts, do not use the impact shredder. Contact the manufacturer via the service address indicated on the warranty card.
- If possible, please keep the packaging until the end of the guarantee period.

2. Assembling the Shredder

⚠ WARNING!

Before start-up, assemble the shredder properly and completely, including all covers and safety devices.

- Only once you have completed assembly, may you insert the mains plug in the socket.

You will also need the following tools for assembly:

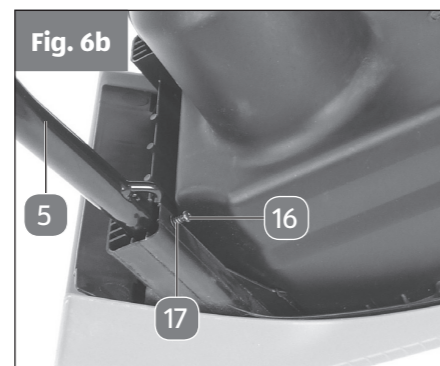
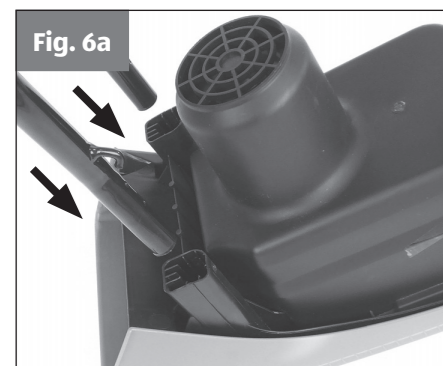
- PH2 star-headed screwdriver
- (You may also need one AF 10 open-ended spanner - to hold the axle whilst the nuts are tightened).

Before starting the equipment

- Before you connect the equipment to the mains supply make sure that the data on the rating plate matches that of your local supply.
- Always pull out the power plug before making adjustments to the equipment.
- The chassis and the wheels must be fitted before use. Follow the operating instructions step-by-step and use the pictures provided as a visual guide to easily assemble the machine.

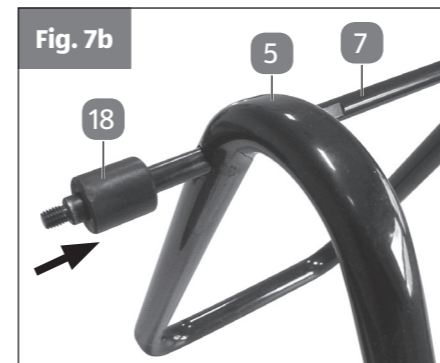
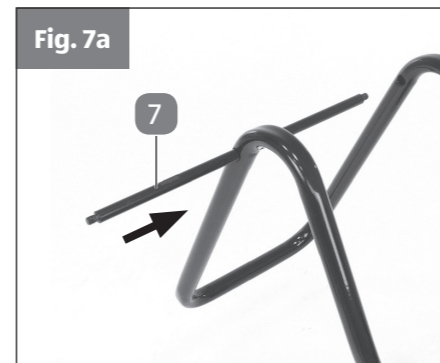
1. Assembling the chassis (Fig. 6a/6b)

- Place the motor housing 3 upside down on the floor.
- Insert the tubular chassis 5 into the provided openings as far as the tubes will go.
- Fit the washers 17 under the heads of the screws 16 and then use the screws with the washers to secure the chassis, as shown in Fig. 6b using a PH2 star-headed screwdriver (not included).

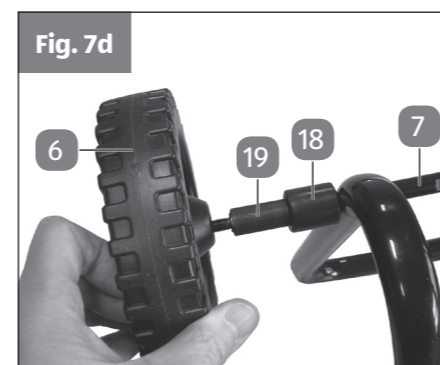
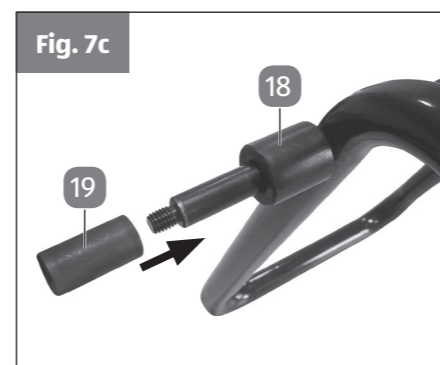


2. Assembling the axle and wheels (Figs. 7a-7h)

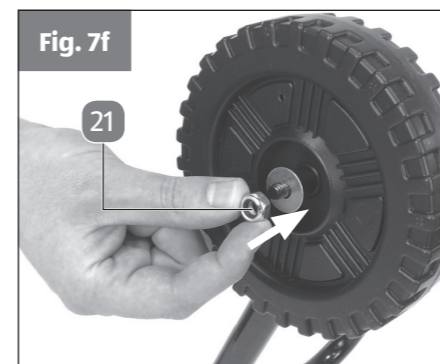
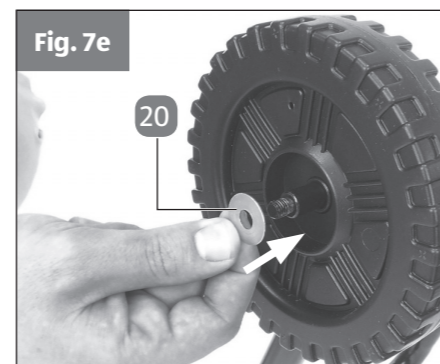
- Remove the sleeves 18 & 19, nuts 21 and washers 20 from both ends of the axle 5.
- Mount the axle into the chassis 5 (Fig. 7a)



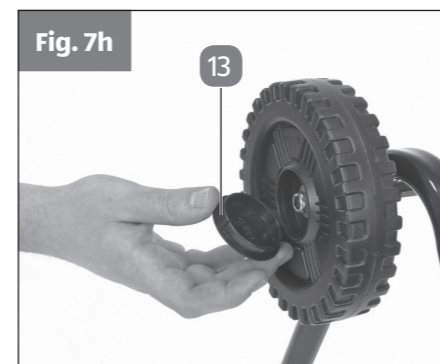
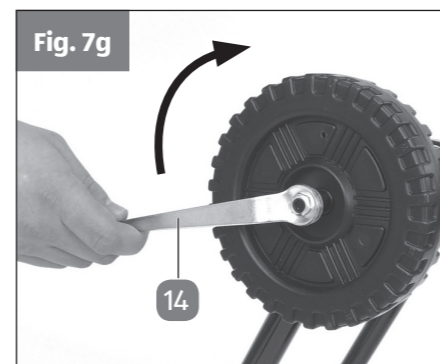
- Refit thick short sleeves 18 & thin long sleeves 19 (Figs. 7b-7d)



- Fit the wheels 6 the washers 20 and then fit the hexagon nuts 21 (Fig. 7d-7f).

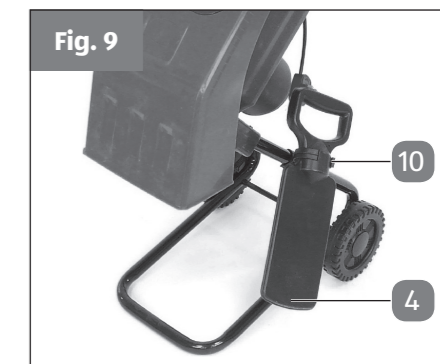
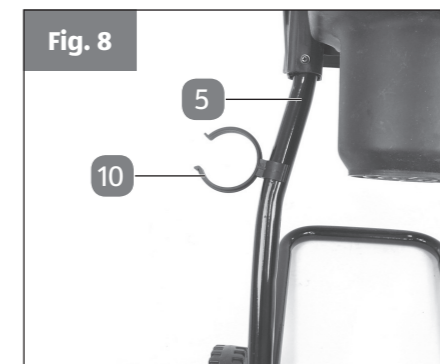


- Tighten the nuts using the supplied ring wrench 14 and fit the wheel hubs 13 (Fig. 7g-7h).



3. Fitting the plunger mounting to the chassis (Fig. 8 & Fig. 9)

- Press the small "c" of the plunger mounting 10 onto the chassis 5 as shown in Fig. 8.
- Then the plunger 4 can be fitted into the large "c" of the plunger mounting 10 (Fig. 9).

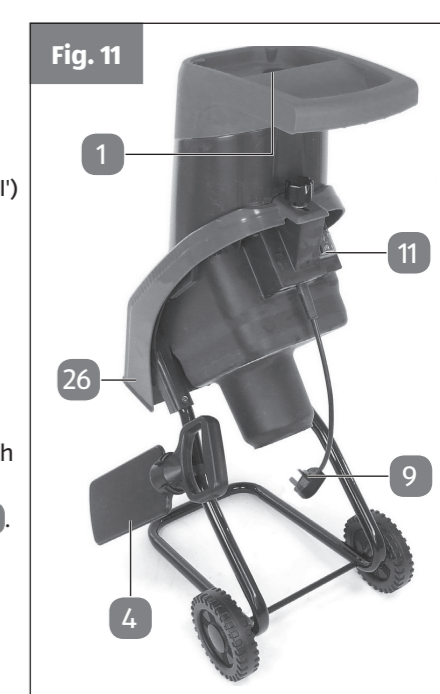


Connecting up the machine and switching it on

- Connect the 13A plug 9 on the shredder power cable (Fig. 11/Item 9) either to a 13A socket on the mains supply or via a 13A, 3-core extension power cable to a 13A socket on the mains supply.
- The shredder can be switched ON (switch position 'I') and OFF (switch position 'O') by using the ON/OFF switch 11 (Figure 11/Item 11).

Overload protection (motor circuit-breaker)

- The motor is protected from overloads by an internal overload switch.
- In case of overloading the equipment will shut down automatically. To restart, set the On/Off switch 11 to the position 'I' (Fig. 11/Item 11).
- If the motor fails to start, clean the ejector chute 26.



⚠ WARNING!

Before using

- Wearing personal protective gear such as, safety gloves, non-slip safety shoes, long trousers, snug fitting clothing, eye protection and ear protection reduces the risk of injury. If you have long hair, wear a hair net. Never use an impact shredder whilst barefoot or in sandals.
- Before you connect the equipment to the mains supply make sure that the data on the rating plate matches that of your local supply. Failure to do this may result in an electric shock, fire and/or serious injury and/or damage to the machine due to an incorrect supply rating.

⚠ WARNING!

Read and follow the operating instructions and safety information before using for the first time. Failure to follow the safety notes and instructions may result in an electric shock, fire and/or serious injury and/or damage to the machine.

Please refer to the operating instructions for all other information.