

Electric Lawn-Trimmer ERT 350 incl. spare cutting line

Art.-No.: **34.013.16**

bar code: 4006825502039

sales unit: 4 pcs

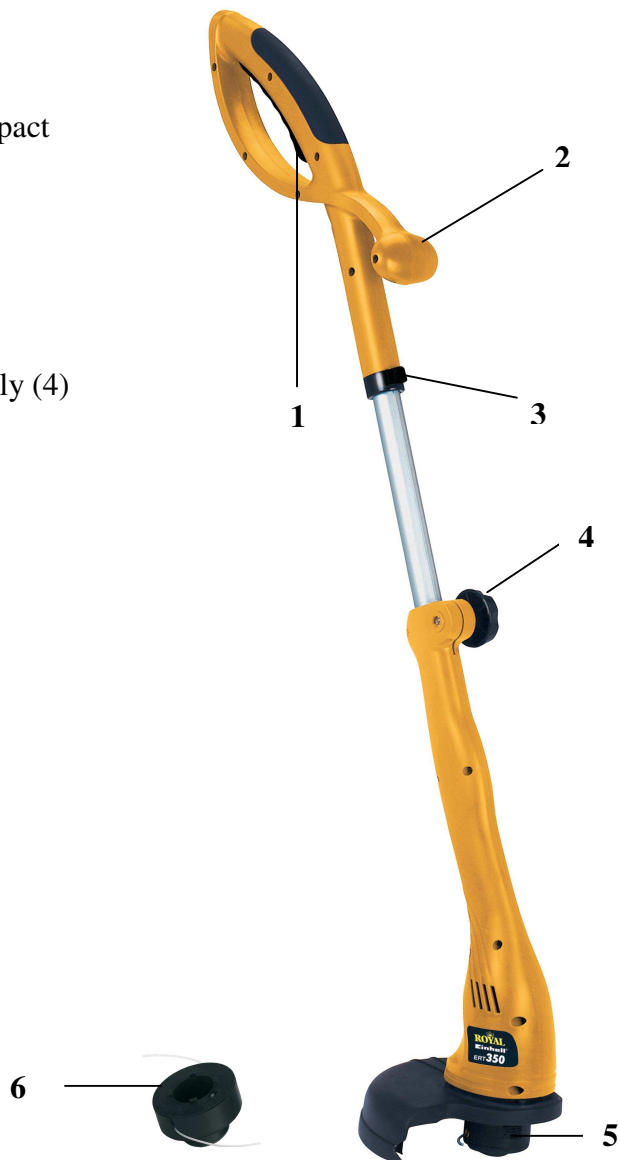
For cutting grass in hard to get into zones, like along fences and walls, between and under bushes, everywhere the lawn mower cannot be used any longer or where the grass is already too high. With its strong motor of 350 watts the lawn trimmer is a practical helper to keep the garden tidy. The rotating nylon thread cuts the grass as neat as the knife of the lawn mower.

Features:

- Dismountable into two parts
- Sturdy universal motor
- Housing and additional handle made of impact resisting high quality plastics
- ON-/OFF-switch (1)
- Comfortable twin-hand operation due to the additional handle (2)
- Engine head turnable 180 ° for easy cuts on vertical areas (3)
- Guidance handle continuously telescopically (4)
- **double line cutting feature (5)**
- **thread feed just by pressing against ground (Tipp-Automatic) (5)**
- **including spare cutting line (6)**

Technical data:

- Motor: 230 V ~ 50 Hz
- Power: 350 watts
- Cutting circle: 250 mm
- no load speed: 10.000 min⁻¹
- Nylon thread: Ø 1,2 mm
- Thread length: 9 m
- Weight: 2,8 kg
- Packing dimensions: 65 x 22 x 10,5 cm



As special accessory available:

Spare line
thread-Ø: 1,2 mm, thread length: 9 m, contents: 1 pc

Art.-No.: **34.050.10**

bar code: 4006825501636