



Einhell

GREY

DMH 250/2 Pneumatic Chisel Hammer Kit

Art.-No. 41.390.08

Powerful pneumatic chisel hammer, suitable for stone and metal treatment. For example for slot operation, to cut off flagstones or finery, to divide or cut sheet, to cut off bolts or rivets. A save chisel guide is guaranteed by a hexagonal chisel holder. The non-slip, rubbered handle allows a safe and comfortable working.

Features

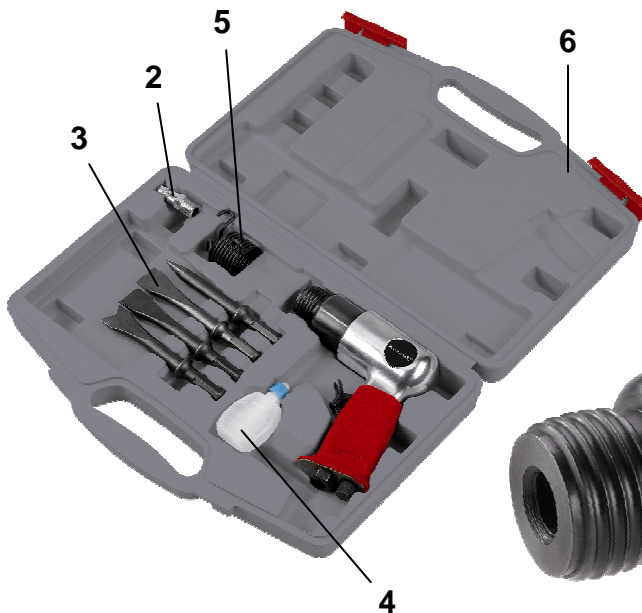
- Vibration absorbed, antislip handle (1)
- 1 plug-in nipple for air supply (2)
- 4 pcs chisel set (3)
- 1 oil bottle (4)
- 1 tension spring (5)
- Transport and storage case (6)

Technical Data

- Working pressure max.: 6.3 bar
- Blow rate: 4,500/min
- Stroke: 44 mm
- Air consumption: approx. 115 l/min.
- Chisel holder: 9.8 mm (hexagon)
- Product weight: 1.2 kg

Logistic Data

- Net weight: 2.4 kg
- Gross weight: 2.7 kg
- Packing dimensions: 340 x 240 x 70 mm
- Bar code: 4006825 504392
- Sales unit: 10 pcs



As special accessory available:

- Tension spring, 2 pcs** Art.-No.: 41.390.15
Bar code: 4006825 411287