

**PARKSIDE**



## CORDLESS DRILL PABSW 10.8 A1

GB CY

### CORDLESS DRILL

Operation and Safety Notes  
Original operating instructions

BG

### АКУМУЛАТОРНА БОРМАШИНА

Pokyny pro obsluhu a bezpečnostní pokyny  
Originální návod k obsluze

DE AT CH

### AKKU-BOHRSCHRAUBER

Bedienungs- und Sicherheitshinweise  
Originalbetriebsanleitung

HR

### AKU ODVIJAČ

Upute za posluživanje i za Vašu sigurnost  
Originalne upute za uporabu

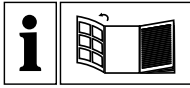
GR CY

### ΕΠΑΝΑΦΟΡΤΙΖΟΜΕΝΟ ΔΡΑΠΑΝΟΚΑΤΣΑΒΙΔΟ

Υποδείξεις χειρισμού και ασφαλείας  
Πρωτότυπες Οδηγίες χρήσης

IAN 86583

HR BG GR



GB CY

Before reading, unfold the page containing the illustrations and familiarise yourself with all functions of the device.

HR

Prije nego što pročitate tekst, otvorite stranicu sa slikama i upoznajte se na osnovu toga sa svim funkcijama uređaja.

BG

Преди прочита отворете страницата с изображенията и се запознайте след това с всички функции на уреда.

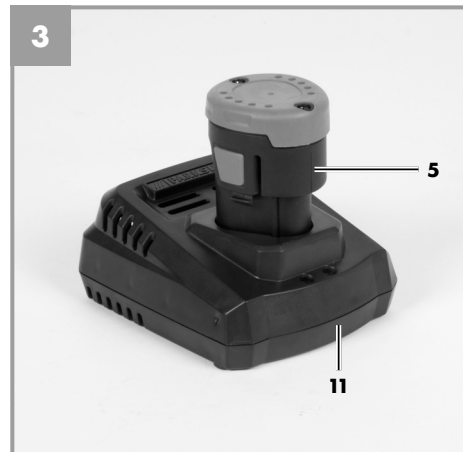
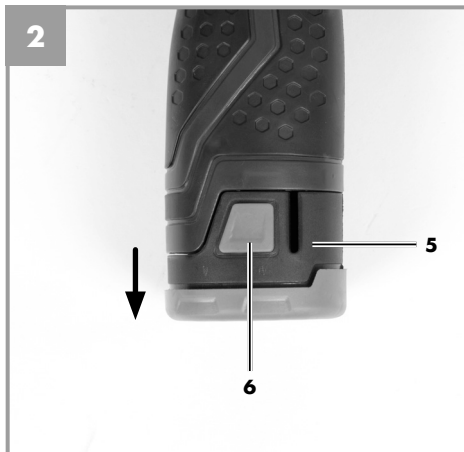
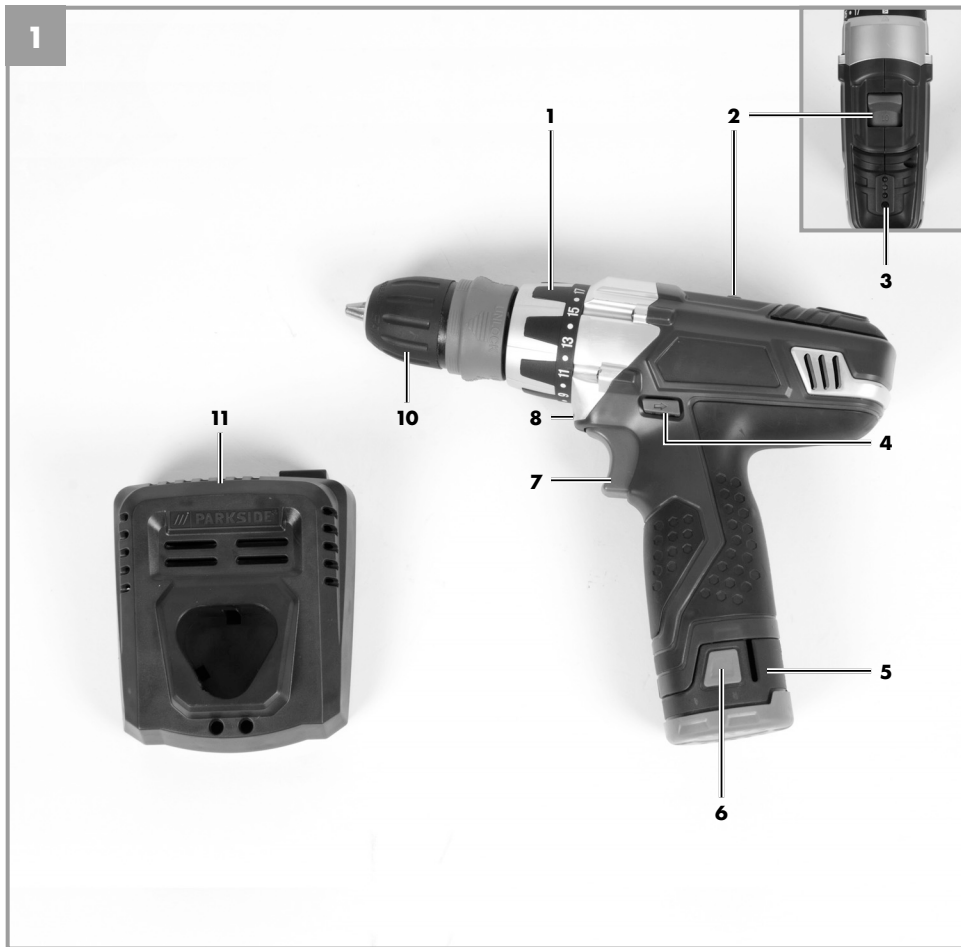
GR CY

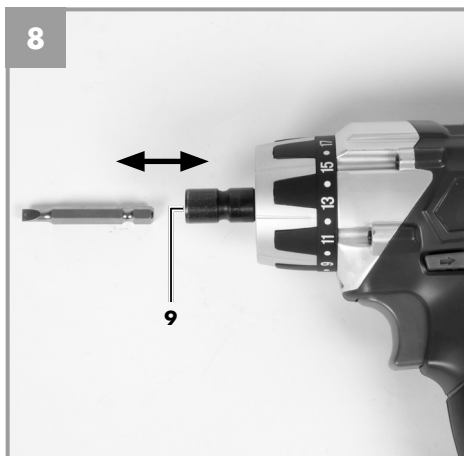
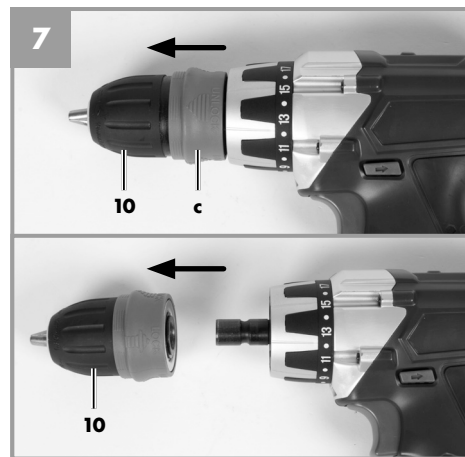
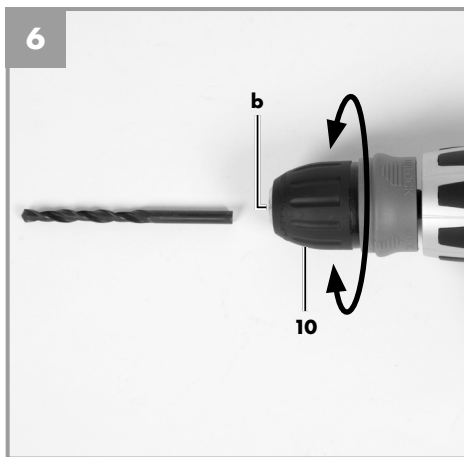
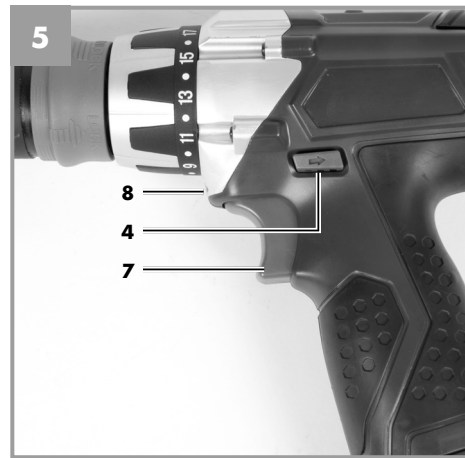
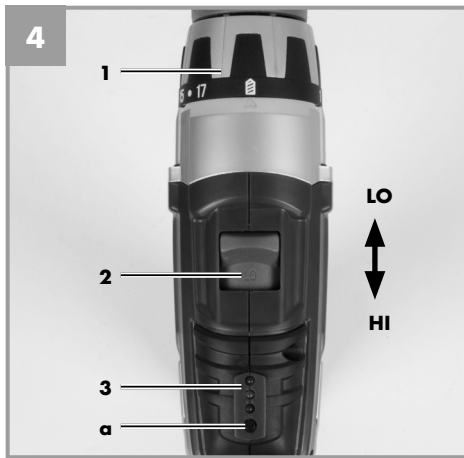
Πριν ξεκινήσετε την ανάγνωση, ανοίξτε τη σελίδα με τις εικόνες και εξοικειωθείτε με όλες τις λειτουργίες της συσκευής.

DE AT CH

Klappen Sie vor dem Lesen die Seite mit den Abbildungen aus und machen Sie sich anschließend mit allen Funktionen des Gerätes vertraut.

|          |   |          |    |
|----------|---|----------|----|
| GB/CY    | Operation and Safety Notes                | Page     | 5  |
| HR       | Upute za posluživanje i za Vašu sigurnost | Stranica | 19 |
| BG       | Указания за обслужване и безопасност      | Страница | 33 |
| GR/CY    | Υποδείξεις χειρισμού και ασφαλείας        | Σελίδα   | 49 |
| DE/AT/CH | Bedienungs- und Sicherheitshinweise       | Seite    | 66 |







## Table of contents

|   |    |
|---|----|
| 1. Introduction.....                                      | 7  |
| 2. Safety regulations.....                                | 7  |
| 3. Layout and items supplied.....                         | 11 |
| 4. Proper use.....  | 12 |
| 5. Technical data.....                                    | 12 |
| 6. Before starting the equipment.....                     | 13 |
| 7. Operation.....   | 13 |
| 8. Cleaning, maintenance and ordering of spare parts..... | 15 |
| 9. Disposal and recycling.....                            | 15 |
| 10. Charger indicator.....                                | 16 |
| 11. Declaration of conformity.....                        | 17 |
| 12. Warranty certificate.....                             | 18 |

The reprinting or reproduction by any other means, in whole or in part, of documentation and papers accompanying products is permitted only with the express consent of the iSC GmbH.

Subject to technical changes



GB/CY



**Caution** - Read the operating instructions to reduce the risk of injury



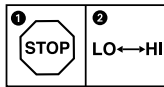
**Wear ear-muffs.** The impact of noise can cause damage to hearing.



**Wear a breathing mask.** Dust which is injurious to health can be generated when working on wood and other materials. Never use the device to work on any materials containing asbestos!



**Wear safety goggles.** Sparks generated during working or splinters, chips and dust emitted by the device can cause loss of sight.



Change the gear only when the drill is at a standstill. If you fail to observe this point, the gearing may be damaged.

## 1. Introduction

Congratulations on your new purchase. You have decided in favor of a high-quality product. The operating instructions are a part of this product. They contain information of importance for your safety, for the use of the product and for its disposal. Before you use the product, acquaint yourself with all the information concerning its operation and safety. Use the product only as described and only for the listed areas of application. If you hand on the product to other people, give them all the documentation as well.

## 2. Safety regulations

### ⚠ Caution!

**Read all safety regulations and instructions.**

Any errors made in following the safety regulations and instructions may result in an electric shock, fire and/or serious injury.

**Keep all safety regulations and instructions in a safe place for future use.**

The term "electric tool" used in the safety instructions refers to electric tools operated from the mains power supply (with a power cable) and to battery operated electric tools (without a power cable).

### 1. Workplace safety

- a) **Keep your work area clean and well illuminated.** Untidy or unlit work areas can result in accidents.
- b) **Do not operate the electric tool in an environment where there is a risk of explosions and where there are inflammable liquids, gases or dust.** Electric tools produce sparks which could set the dust or vapours alight.
- c) **Keep the electric tool out of the reach of children and other persons.** If there is a distraction, you may lose control of the appliance.

### 2. Electrical safety

- a) **The connector plug from this electric tool must fit into the socket. The plug should never be altered in any way. Never use adapter plugs together with earthed electric tools.** Unaltered plugs and correct sockets reduce the risk of an electric shock.
- b) **Avoid bodily contact with earthed surfaces such as pipes, heating, ovens and fridges.** The risk of electric shock is increased if your body is earthed.
- c) **Keep the tool out of the rain and away from moisture.** The ingress of water into an electric tool increases the risk of an electric shock.
- d) **Do not use the cable to carry the electric tool, to hang it up or to pull it out of the socket. Keep the cable away from heat, oil, sharp edges and moving parts of the appliance.** Damaged or entangled cables increase the risk of an electric shock.
- e) **If you are working outdoors with an electric tool, only use extension cables which are designed specifically for this purpose.** Using specially designed outdoor extension cables, the risk of electric shock is reduced.
- f) **If operation of the electric tool in a damp environment can not be avoided, use a earth-leakage circuit-breaker.** The earth-leakage circuit-breaker reduces the risk of an electric shock.

### 3. Safety of persons

- a) **Be careful, watch what you are doing and use an electric tool sensibly. Do not use the tool if you are tired or under the influence of drugs, alcohol or medication.** A moment of inattention when using the electric tool can result in serious injuries.
- b) **Wear personal protection equipment and always wear safety goggles.** Wearing personal protection (such as dust masks, non-slip safety shoes, safety helmet or ear protection, depending upon the type

- and use of the electric tool) reduces the risk of injury.
- c) **Make sure that the appliance cannot start up accidentally. Ensure that the electric tool is switched off before you connect it to the power supply and/or insert the battery, or pick up or carry the tool.** If your finger is on the switch whilst carrying the electric tool or if you connect the appliance to the mains when it is switched on, this can lead to accidents.
  - d) **Remove keys and wrenches before switching on the electric tool.** A tool or key which comes into contact with rotating parts of the appliance can lead to injuries.
  - e) **Avoid abnormal working postures. Make sure you stand squarely and keep your balance at all times.** In this way, you can control the electric tool better in unexpected circumstances.
  - f) **Wear suitable work clothes. Do not wear loose clothing or jewellery. Keep hair, clothes and gloves away from moving parts.** Loose clothing, jewellery or long hair can get trapped in moving parts.
  - g) **If vacuuming devices and draining devices can be fitted, make sure that these are correctly attached and correctly used.** The use of a dust extraction system can reduce the danger posed by dust.
- #### 4. Usage and treatment of the electric tool
- a) **Do not overload the appliance. Use the correct tool for your work.** You will be able to work better and more safely within the given performance boundaries.
  - b) **Do not use an electric tool with a defective switch.** An electric tool that cannot be switched on or off is dangerous and must be repaired.
  - c) **Pull the plug out of the socket and/or remove the battery before making any adjustments to the appliance, changing accessories or put the appliance down.** This safety measure prevents starting the electric tool unintentionally.
  - d) **Keep unused electric tools out of the reach of children. Do not allow people who are not familiar with the appliance or who have not read these instructions to use the appliance.** Electric tools are dangerous if they are used by inexperienced people.
  - e) **Clean your electric tool carefully. Check whether moving parts are functioning properly and not jamming, whether parts are broken or damaged enough that the functioning of this electric tool is affected. Have damaged parts repaired before using the appliance.** Many accidents are caused by badly maintained electric tools.
  - f) **Keep your cutting tools sharp and clean.** Carefully maintained cutting tools with sharp cutting edges will jam less and are easier to control.
  - g) **Make sure to use electric tools, accessories, attachments, etc. in accordance with these instructions. Take the conditions in your work area and the job in hand into account.** Using electric tools for any purpose other than the one for which they are intended can lead to dangerous situations.
- #### 5. Using and handling the cordless tool
- a) **Only charge the batteries in chargers that are recommended by the manufacturer.** A charger that is designed for a certain type of battery may pose a fire risk if it is used with other types of battery.
  - b) **Use only the correct batteries in the electric tools.** The use of other batteries may result in injuries and a fire risk.
  - c) **Keep unused batteries away from paper clips, coins, keys, nails, screws and other metallic objects that could cause a short circuit between the contacts.** A short circuit between the battery contacts may cause burns or a fire.
  - d) **In case of incorrect use, fluid may escape from the battery. Avoid contact with it. If you touch it by accident, rinse the affected area with water. If you**





**get the fluid in your eyes, also seek medical advice.** Leaking battery fluid can cause skin irritation or burns.

## 6. Service

- a) Have your electric tool repaired only by trained personnel using only genuine spare parts.** This will ensure that your electric tool remains safe to use.

**Hold the equipment by the insulated handles when carrying out work during which the screw or the plug-in tool could strike concealed power cables.** Contact with a live cable may also make the metal parts of the equipment live and cause an electric shock.

### Additional safety instructions

We pay a great deal of attention to the design of every battery pack to ensure that we supply you with batteries which feature maximum power density, durability and safety. The battery cells have a wide range of safety devices. Each individual cell is initially formatted and its electrical characteristic curves are recorded. These data are then used exclusively to be able to assemble the best possible battery packs. **Despite all the safety precautions, caution must always be exercised when handling batteries. The following points must be obeyed at all times to ensure safe use.**

**Safe use can only be guaranteed if undamaged cells are used. Incorrect handling can cause cell damage.**

**Important:** Analyses confirm that incorrect use and poor care are the main causes of the damage caused by high performance batteries.

### Information about the battery

- The battery pack supplied with your cordless tool is not charged. The battery pack has to be charged before you use the tool for the first time.
- For optimum battery performance avoid low discharge cycles. Charge the battery pack frequently.
- Store the battery pack in a cool place, ideally

at 15°C and charged to at least 40%.

- Lithium-ion batteries are subject to a natural ageing process. The battery pack must be replaced at the latest when its capacity falls to just 80% of its capacity when new. Weakened cells in an aged battery pack are no longer capable of meeting the high power requirements and therefore pose a safety risk.
- Do not throw battery packs into an open fire. There is a risk of explosion!
- Do not ignite the battery pack or expose it to fire.
- **Do not exhaustively discharge batteries.** Exhaustive discharge will damage the battery cells. The most common cause of exhaustive discharge is lengthy storage or non-use of partly discharged batteries. Stop working as soon as the performance of the battery falls noticeably or the electronic protection system triggers. Place the battery pack in storage only after it has been fully charged.
- **Protect batteries and the tool from overloads.** Overloads will quickly result in overheating and cell damage inside the battery housing without this overheating actually being apparent externally.
- **Avoid damage and shocks.** Replace batteries which have been dropped from a height of more than one meter or which have been exposed to violent shocks without delay, even if the housing of the battery pack appears to be undamaged. The battery cells inside the battery may have suffered serious damage. In this respect, please also read the waste disposal information.
- If the battery pack suffers overloading and overheating, the integrated protective cut-off will switch off the equipment for safety reasons. **Important.** Do not press the ON/OFF switch any more if the protective cut-off has actuated. This may damage the battery pack.
- Use only original battery packs. The use of other batteries may result in injuries, explosion and a fire risk.

### Information on chargers and the charging process

- Do not use the supplied battery charger to charge non-rechargeable batteries.
- Please check the data marked on the rating plate of the battery charger. Be sure to connect the battery charger to a power supply with the voltage marked on the rating plate. Never connect it to a different mains voltage.
- Protect the battery charger and its cable from damage and sharp edges. Have damaged cables or plugs repaired without delay by a qualified electrician.
- This battery charger is not designed to be used by people (including children) with limited physical, sensory or mental capacities or those with no experience and/or knowledge unless they are supervised by a person who is responsible for their safety or they have received instructions from such a person in how to use the equipment safely.
- Children must always be supervised in order to ensure that they do not play with the equipment.
- Do not use damaged battery chargers.
- Do not use the supplied battery charger to charge other cordless tools.
- In heavy use the battery pack will become warm. Allow the battery pack to cool to room temperature before commencing with the charging.
- **Do not over-charge batteries.** Do not exceed the maximum charging times. These charging times only apply to discharged batteries. Frequent insertion of a charged or partly charged battery pack will result in over-charging and cell damage. Do not leave batteries in the charger for days on end.
- **Never use or charge batteries if you suspect that the last time they were charged was more than 12 months previously.** There is a high probability that the battery pack has already suffered dangerous damage (exhaustive discharge).
- Charging batteries at a temperature below 10°C will cause chemical damage to the cell and may cause a fire.
- Do not use batteries which have heated du-

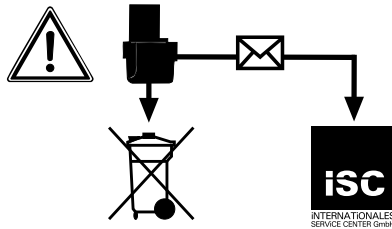
ring the charging process, as the battery cells may have suffered dangerous damage.

- Do not use batteries which have suffered curvature or deformation during the charging process or which show other non-typical symptoms (gassing, hissing, cracking,...)
- Never fully discharge the battery pack (recommended depth of discharge max. 80%)  
A complete discharge of the battery pack will lead to premature ageing of the battery cells.
- Never charge the batteries unsupervised.

### Protection from environmental influences

- Wear suitable work clothes. Wear safety goggles.
- **Protect your cordless tool and the battery charger from moisture and rain.** Moisture and rain can cause dangerous cell damage.
- Do not use the cordless tool or the battery charger near vapors and inflammable liquids.
- Use the battery charger and cordless tools only in dry conditions and an ambient temperature of 10-40°C.
- Do not keep the battery charger in places where the temperature is liable to reach over 40°C. In particular, do not leave the battery charger in a car that is parked in the sunshine.
- **Protect batteries from overheating.** Overloads, over-charging and exposure to direct sunlight will result in overheating and cell damage. Never charge or work with batteries which have been overheated – replace them immediately if possible.
- **Storage of batteries, battery chargers and cordless tools.** Store the charger and your cordless tool only in dry places with an ambient temperature of 10-40°C. Store your lithium-ion battery pack in a cool, dry place at a temperature of 10-20°C. Protect them from humidity and direct sunlight. Only place fully charged batteries in storage (charged at least 40%).
- Prevent the lithium-ion battery pack from freezing. Battery packs which were stored below 0°C for more than 60 minutes must be disposed of.
- When handling batteries beware of electro-

static charge: Electrostatic discharges cause damage of the electronic protection system and the battery cells. Avoid electrostatic charging and never touch the battery poles.



Rechargeable batteries and cordless electric machines and tools contain materials that are potentially harmful to the environment. Never place any cordless electric machines or tools in your household refuse. When cordless electric machines or tools become defective or worn, remove the rechargeable batteries and return them to iSC GmbH (address: Eschenstrasse 6, D-94405, Germany). If the rechargeable batteries cannot be removed, return the complete cordless machine or tool.

You can then be sure that the equipment will be correctly disposed of by the manufacturer.

**When shipping or disposing of batteries and cordless tools, always ensure that they are packed individually in plastic bags to prevent short circuits and fires.**

**Do not lose these safety instructions**

## 3. Layout and items supplied

### 3.1 Layout (Fig. 1/8)

1. Torque selector
2. Selector switch for 1st gear - 2nd gear
3. Battery capacity indicator
4. Changeover switch
5. Battery
6. Pushlock button
7. On/Off switch
8. LED light
9. Integrated magnetic bit mount
10. Quick-change drill chuck
11. Charging unit

### 3.2 Items supplied

- Open the packaging and take out the equipment with care.
- Remove the packaging material and any packaging and/or transportation braces (if available).
- Check to see if all items are supplied.
- Inspect the equipment and accessories for transport damage.
- If possible, please keep the packaging until the end of the guarantee period.

### Important!

**The equipment and packaging material are not toys. Do not let children play with plastic bags, foils or small parts. There is a danger of swallowing or suffocating!**

- Cordless drill
- Battery charger
- Battery pack
- Operating Instructions

## 4. Proper use

The cordless drill is designed for tightening and undoing screws, as well as for drilling in wood, metal and plastic.

The equipment is to be used only for its prescribed purpose. Any other use is deemed to be a case of misuse. The user / operator and not the manufacturer will be liable for any damage or injuries of any kind caused as a result of this.

Please note that our equipment has not been designed for use in commercial, trade or industrial applications. Our warranty will be voided if the machine is used in commercial, trade or industrial businesses or for equivalent purposes.

## 5. Technical data

|                                    |                   |
|------------------------------------|-------------------|
| Voltage supply .....               | 10.8 V d.c.       |
| Idling speed: .....                | 0-300/0-1050 rpm  |
| Torque settings: .....             | 17+1              |
| Forward and reverse rotation ..... | yes               |
| Chuck clamping width .....         | 1-10 mm           |
| Battery type: .....                | Lithium-ion       |
| Battery pack capacity: .....       | 1.3 Ah            |
| Number of cells: .....             | 3                 |
| Battery charging voltage.....      | 10.8 V d.c.       |
| Battery charging current.....      | 1500 mA           |
| Mains voltage for charger ....     | 100-240 V ~ 50 Hz |
| Weight .....                       | 1.0 kg            |
| Max. screw diameter: .....         | 6 mm              |

### Sound and vibration

Sound and vibration values were measured in accordance with EN 60745.

|                                     |            |
|-------------------------------------|------------|
| $L_{pA}$ sound pressure level ..... | 65.3 dB(A) |
| $K_{pA}$ uncertainty .....          | 3 dB       |
| $L_{WA}$ sound power level .....    | 76.3 dB(A) |
| $K_{WA}$ uncertainty .....          | 3 dB       |

### Wear ear-muffs.

The impact of noise can cause damage to hearing.

Total vibration values (vector sum of three directions) determined in accordance with EN 60745.

### Drilling in metal

Vibration emission value  $a_h < 2.5 \text{ m/s}^2$   
K uncertainty =  $1.5 \text{ m/s}^2$

### Screwing without hammer action

Vibration emission value  $a_h < 2.5 \text{ m/s}^2$   
K uncertainty =  $1.5 \text{ m/s}^2$

### Warning!

The specified vibration value was established in accordance with a standardized testing method. It may change according to how the electric equipment is used and may exceed the specified value in exceptional circumstances.

The specified vibration value can be used to compare the equipment with other electric power tools.

The specified vibration value can be used for initial assessment of a harmful effect.

### Keep the noise emissions and vibrations to a minimum.

- Only use appliances which are in perfect working order.
- Service and clean the appliance regularly.
- Adapt your working style to suit the appliance.
- Do not overload the appliance.
- Have the appliance serviced whenever necessary.
- Switch the appliance off when it is not in use.
- Wear protective gloves.

For the protection of the operator it is essential to specify safety measures which are based on an estimate of the exposure during the actual conditions of use (all stages of the operating cycle must be considered, e.g. times in which the electric tools are switched off and times in which the tool is switched on but operates without load).

### Residual risks

**Even if you use this electric power tool in accordance with instructions, certain residual risks cannot be ruled out. The following hazards may arise in connection with the equipment's construction and layout:**

1. Lung damage if no suitable protective dust mask is used.
2. Damage to hearing if no suitable ear protection is used.
3. Health damage caused by hand-arm vibrations if the equipment is used over a prolonged period or is not properly guided and maintained.

## 6. Before starting the equipment

Be sure to read the following information before you use your cordless screwdriver for the first time:

1. Charge the battery pack with the charger supplied. An empty battery pack requires a charging period of approximately one hour.
2. Only ever use sharp drill bits and screwdriver bits which are suitable for the purpose and in faultless condition.
3. Always check for concealed electric cables and gas and water pipes when drilling and screwing in walls.

## 7. Operation

### 7.1 Charging the LI battery pack (Fig. 2-3)

The battery is protected from exhaustive discharge. An integrated protective circuit automatically switches off the equipment when the battery is flat. In this case the bit chuck will cease to turn.

**Warning!** Do not press the ON/OFF switch any more if the protective circuit has actuated. This may damage the battery.

1. Remove the battery pack (5) from the handle, pressing the pushlock buttons (6) on the left and right sides to do so.
2. Check that your mains voltage is the same as that marked on the rating plate of the battery charger. Insert the power plug of the charger (11) into the mains socket outlet. The green LED will then begin to flash.
3. Insert the battery pack (5) into the battery charger (11).
4. In section 10 „Charger indicator“ you will find a table with an explanation of the LED indicator on the charger.

If the battery pack fails to become charged, please check

- whether there is voltage at the socket-outlet
- whether there is proper contact with the charging contacts in the battery charger (11).

If the battery still fails to become charged, please return

- the charger and charging adapter
- the battery pack

to our Customer Service Department.

To ensure that the LI battery pack provides long service you should take care to recharge it promptly. You must recharge the battery pack when you notice that the power of the cordless screwdriver drops.



## 7.2 Torque setting (Fig. 4 / Item 1)

The cordless screwdriver is fitted with a mechanical torque selector.

The torque for a specific size of screw is selected with the set-collar (1). The correct torque depends on several factors:

- on the type and hardness of material in question
- on the type and length screws used
- on the requirements needing to be met by the screwed joint.

The clutch disengages with a grating sound to indicate when the set torque is reached.

**Important! The tool must be at a standstill when you set the torque with the setting ring.**

## 7.3 Drilling (Fig. 4 / Item 1)

For drilling purposes, move the set-collar to the last step „Drill“. In this setting the slip clutch is inactive. The maximum torque is available in drilling mode.

## 7.4 Selecting 1st gear to 2nd gear (Fig. 4/Item 2)

By adjusting the selector switch, you can work with a faster or slower turning speed. Change the gear only when the drill is at a standstill. If you fail to observe this point, the gearing may be damaged.

## 7.5 Battery capacity indicator (Fig. 4/Item. 3)

Press the button for the battery capacity indicator (a). The battery capacity indicator (3) indicates the charge state of the battery on 3 coloured LEDs.

## 7.6 Forward/Reverse switch (Fig. 5 / Item 4)

With the slide switch above the On/Off switch you can select the direction of rotation of the battery-powered drill/screwdriver and secure it against being switched on accidentally. You can choose between clockwise and anticlockwise rotation. To avoid causing damage to the gearing

it is advisable to change the direction of rotation only when the tool is at a standstill. The On/Off switch is blocked when the slide switch is in centre position.

## 7.7 On/Off switch (Fig. 5 / Item 7)

Infinitely variable speed control is possible with the On/Off switch. The further you press the switch, the higher the speed of the battery-powered drill/screwdriver.

## 7.8 LED lamp (Fig. 5/Item 8)

The LED lamp (8) can be used in poor lighting conditions to illuminate the area where you want to drill or screw. The LED lamp (8) will be lit automatically as soon as you press the ON/OFF switch (7).

## 7.9 Changing the tool (Fig. 6)

**Important.** Set the changeover switch (4) to its centre position whenever you carry out any work (for example changing the tool, maintenance work, etc.) on the cordless screwdriver.

- The cordless screwdriver is fitted with a quick-action chuck (10) with an automatic spindle stop.
- Open the chuck (10). The chuck opening (b) must be large enough to hold the tool (drill bit or screwdriver bit).
- Select the suitable tool. Push the tool as far as possible into the chuck opening (b).
- Tighten the chuck (10) and then check that the tool is secure.

## 7.10 Screwdriving

We recommend using self-centering screws (e.g. Torx screws, recessed head screws) designed for reliable working. Be sure to use a bit that matches the screw in shape and size. Set the torque, as described elsewhere in these operating instructions, to suit the size of screw.

## 7.11 Integrated magnetic bit mount (Fig. 7-8)

The cordless drill/screwdriver has an integrated magnetic bit mount (9) for 1/4-inch (6.35mm) bit inserts.

To use it, remove the quick-change drill chuck (10) by pressing the rear drill chuck sleeve (c) towards the drill chuck.

You can now plug a suitable bit insert into the integrated magnetic bit mount (9).

To mount the drill chuck again, plug it onto the bit mount and turn it slightly until it can be pushed on completely. Lock the drill chuck in place by pushing the drill chuck sleeve (c) towards the machine.

## 8. Cleaning, maintenance and ordering of spare parts

Always pull out the mains power plug before starting any cleaning work.

### 8.1 Cleaning

- Keep all safety devices, air vents and the motor housing free of dirt and dust as far as possible. Wipe the equipment with a clean cloth or blow it with compressed air at low pressure.
- We recommend that you clean the device immediately each time you have finished using it.
- Clean the equipment regularly with a moist cloth and some soft soap. Do not use cleaning agents or solvents; these could attack the plastic parts of the equipment. Ensure that no water can seep into the device.

### 8.2 Maintenance

There are no parts inside the equipment which require additional maintenance.

### 8.3 Ordering replacement parts:

Please quote the following data when ordering replacement parts:

- Type of machine
- Article number of the machine
- Identification number of the machine

For our latest prices and information please go to [www.isc-gmbh.info](http://www.isc-gmbh.info)

## 9. Disposal and recycling

The unit is supplied in packaging to prevent its being damaged in transit. This packaging is raw material and can therefore be reused or can be returned to the raw material system.

The unit and its accessories are made of various types of material, such as metal and plastic. Defective components must be disposed of as special waste. Ask your dealer or your local council.



For EU countries only

Never place any electric power tools in your household refuse.

To comply with European Directive 2002/96/EC concerning old electric and electronic equipment and its implementation in national laws, old electric power tools have to be separated from other waste and disposed of in an environment-friendly fashion, e.g. by taking to a recycling depot.

Recycling alternative to the return request:

As an alternative to returning the equipment to the manufacturer, the owner of the electrical equipment must make sure that the equipment is properly disposed of if he no longer wants to keep the equipment. The old equipment can be returned to a suitable collection point that will dispose of the equipment in accordance with the national recycling and waste disposal regulations. This does not apply to any accessories or aids without electrical components supplied with the old equipment.

## 10. Charger indicator

| Indicator status |           | Explanations and actions  |
|------------------|-----------|---|
| Red LED          | Green LED |   |
| Off              | Flashing  | <p><b>Ready for use</b><br/>The charger is connected to the mains and is ready for use; there is no battery pack in the charger.</p>  |
| On               | Off       | <p><b>Charging</b><br/>The charger is charging the battery pack in quick charge mode.</p>   |
| Off              | On        | <p>The battery pack is fully charged (charging completed).<br/><b>Action:</b><br/>Take the battery pack out of the charger. Disconnect the charger from the mains supply.</p>   |
| Flashing         | Flashing  | <p><b>Fault</b><br/>Charging is no longer possible. The battery pack is defective.<br/><b>Action:</b><br/>Never charge a defective battery pack. Take the battery pack out of the charger.</p>                                      |
| On               | On        | <p><b>Temperature fault</b><br/>The battery pack is too hot (e.g. due to direct sunshine) or too cold (below 0° C).<br/><b>Action:</b><br/>Remove the battery pack and keep it at room temperature (approx. 20° C) for one day.</p> |



## 11. Declaration of conformity

**Einhell Germany AG · Wiesenweg 22 · D-94405 Landau/Isar**



### Konformitätserklärung

|  |   |
|--|---|
| <b>D</b> erklärt folgende Konformität gemäß EU-Richtlinie und Normen für Artikel                           | <b>PL</b> deklaruje zgodność wymienionego poniżej artykułu z następującymi normami na podstawie dyrektywy WE. |
| <b>GB</b> explains the following conformity according to EU directives and norms for the following product | <b>BG</b> декларира съответното съответствие съгласно Директива на ЕС и норми за артикул                      |
| <b>F</b> déclare la conformité suivante selon la directive CE et les normes concernant l'article           | <b>LV</b> paskaidro šādu atbilstību ES direktīvai un standartiem  |
| <b>I</b> dichiara la seguente conformità secondo la direttiva UE e le norme per l'articolo                 | <b>LT</b> apibūdina šį atitikimą EU reikalavimams ir prekės normoms   |
| <b>NL</b> verklaart de volgende overeenstemming conform EU richtlijn en normen voor het product            | <b>RO</b> declară următoarea conformitate conform directivei UE și normelor pentru articolul                  |
| <b>E</b> declara la siguiente conformidad a tenor de la directiva y normas de la UE para el artículo       | <b>GR</b> δηλώνει την ακόλουθη συμμόρφωση σύμφωνα με την Οδηγία ΕΚ και τα πρότυπα για το προϊόν               |
| <b>P</b> declara a seguinte conformidade, de acordo com a directiva CE e normas para o artigo              | <b>HR</b> potvrđuje sljedeću usklađenost prema smjernicama EU i normama za artikl                             |
| <b>DK</b> attesterer følgende overensstemmelse i medfør af EU-direktiv samt standarder for artikel         | <b>IS</b> ljávara um samræmi við EU-áttáráttir og annarra staðla vöru   |
| <b>S</b> förklarar följande överensstämmelse enl. EU-direktiv och standarder för artikeln                  | <b>BIH</b> potvrđuje sljedeću usklađenost prema smjernicama EU i normama za artikl                            |
| <b>FIN</b> vakuuttaa, että tuote täyttää EU-direktiivin ja standardien vaatimukset                         | <b>RS</b> potvrđuje sledeću usklađenost prema smernicama EZ i normama za artikl                               |
| <b>EE</b> tõendab toote vastavust EL direktiivile ja standarditele   | <b>RUS</b> следующим удостоверяется, что следующие продукты соответствуют директивам и нормам ЕС              |
| <b>CZ</b> vydává následující prohlášení o shodě podle směrnice EU a norem pro výrobek                      | <b>UKR</b> проголошує про зазначену нижче відповідність виробу директивам та стандартам ЄС на виріб           |
| <b>SLO</b> potrjuje sledečo skladnost s smernico EU in standardi za izdelek                                | <b>MK</b> ja izjavува следната сообразност согласно EU-директивата и нормите за артикли                       |
| <b>SK</b> vydáva nasledujúce prehlásenie o zhode podľa smernice EÚ a noriem pre výrobek                    | <b>TR</b> Ürünü ile ilgili AB direktifleri ve normları gereğince aşağıda açıklanan uygunluğu belirtir         |
| <b>H</b> a kikkéhez az EU-irányvonal és Normák szerint a következő konformitást jelenti ki                 | <b>N</b> erklærer følgende samsvar i henhold til EU-direktivet og standarder for artikkel                     |

### Akku-Boherschrauber PABSW 10.8 A1/Ladegerät LG PABSW 10.8 A1 (Parkside)

|   |   |
|---|---|
| <input type="checkbox"/> 87/404/EC_2009/105/EC  | <input checked="" type="checkbox"/> 2006/42/EC                                |
| <input type="checkbox"/> 2005/32/EC_2009/125/EC | <input type="checkbox"/> Annex IV   |
| <input type="checkbox"/> 2006/95/EC             | Notified Body:  |
| <input type="checkbox"/> 2006/28/EC             | Notified Body No.:  |
| <input checked="" type="checkbox"/> 2004/108/EC | Reg. No.:   |
| <input type="checkbox"/> 2004/22/EC             | <input type="checkbox"/> 2000/14/EC_2005/88/EC                                |
| <input type="checkbox"/> 1999/5/EC              | <input type="checkbox"/> Annex V  |
| <input type="checkbox"/> 97/23/EC               | <input type="checkbox"/> Annex VI   |
| <input type="checkbox"/> 90/396/EC_2009/142/EC  | Noise measured: L <sub>WA</sub> = dB (A); guaranteed L <sub>WA</sub> = dB (A) |
| <input type="checkbox"/> 89/686/EC_96/58/EC     | P = KW; L/Ø = cm  |
| <input checked="" type="checkbox"/> 2011/65/EC  | Notified Body:  |
|   | <input type="checkbox"/> 2006/28/EC   |
|   | Emission No.:   |

**Standard references: EN 60745-1; EN 60745-2-1; EN 60745-2-2; EN 55014-1; EN 55014-2; EN 61000-3-2; EN 61000-3-3; EN 60335-1; EN 60335-2-29**

Landau/Isar, den 20.09.2012

Weichselgartner/General-Manager

Unger/Product-Management

First CE: 12  
Art.-No.: 45.136.46 I.-No.: 11012  
Subject to change without notice

Archive-File/Record: NAPR005201  
Documents registrar: Georg Riedel  
Wiesenweg 22, D-94405 Landau/Isar

## 12. Warranty certificate

Dear Customer,

All of our products undergo strict quality checks to ensure that they reach you in perfect condition. In the unlikely event that your device develops a fault, please contact our service department at the address shown on this guarantee card. Of course, if you would prefer to call us then we are also happy to offer our assistance under the service number printed below. Please note the following terms under which guarantee claims can be made:

1. These guarantee terms cover additional guarantee rights and do not affect your statutory warranty rights. We do not charge you for this guarantee.
2. Our guarantee only covers problems caused by material or manufacturing defects, and it is restricted to the rectification of these defects or replacement of the device. Please note that our devices have not been designed for use in commercial, trade or industrial applications. Consequently, the guarantee is invalidated if the equipment is used in commercial, trade or industrial applications or for other equivalent activities. The following are also excluded from our guarantee: compensation for transport damage, damage caused by failure to comply with the installation/assembly instructions or damage caused by unprofessional installation, failure to comply with the operating instructions (e.g. connection to the wrong mains voltage or current type), misuse or inappropriate use (such as overloading of the device or use of non-approved tools or accessories), failure to comply with the maintenance and safety regulations, ingress of foreign bodies into the device (e.g. sand, stones or dust), effects of force or external influences (e.g. damage caused by the device being dropped) and normal wear resulting from proper operation of the device. This applies in particular to rechargeable batteries for which we nevertheless issue a guarantee period of 12 months. The guarantee is rendered null and void if any attempt is made to tamper with the device.
3. The guarantee is valid for a period of 3 years starting from the purchase date of the device. Guarantee claims should be submitted before the end of the guarantee period within two weeks of the defect being noticed. No guarantee claims will be accepted after the end of the guarantee period. The original guarantee period remains applicable to the device even if repairs are carried out or parts are replaced. In such cases, the work performed or parts fitted will not result in an extension of the guarantee period, and no new guarantee will become active for the work performed or parts fitted. This also applies when an on-site service is used.
4. In order to assert your guarantee claim, please send your defective device postage-free to the address shown below. Please enclose either the original or a copy of your sales receipt or another dated proof of purchase. Please keep your sales receipt in a safe place, as it is your proof of purchase. It would help us if you could describe the nature of the problem in as much detail as possible. If the defect is covered by our guarantee then your device will either be repaired immediately and returned to you, or we will send you a new device.

Of course, we are also happy offer a chargeable repair service for any defects which are not covered by the scope of this guarantee or for units which are no longer covered. To take advantage of this service, please send the device to our service address.

**EINHELL Hellas A. E.**

Lasithiou Str. 4

GR-14342 Nea Philadelphia

Tel. 0210 2776871, 0213 0069925 · Fax 0210 2776871

IAN 86583



## Sadržaj

|   |    |
|---|----|
| 1. Uvod .....   | 21 |
| 2. Sigurnosne napomene .....                                  | 21 |
| 3. Opis uređaja i sadržaj isporuke .....                      | 25 |
| 4. Namjenska uporaba .....                                    | 25 |
| 5. Tehnički podaci .....                                      | 26 |
| 6. Prije puštanja u pogon.....                                | 27 |
| 7. Rukovanje .....  | 27 |
| 8. Čišćenje, održavanje i naručivanje rezervnih dijelova..... | 29 |
| 9. Zbrinjavanje u otpad i recikliranje.....                   | 29 |
| 10. Prikaz punjača .....                                      | 30 |
| 11. Izjava o usklađenosti .....                               | 31 |
| 12. Jamstveni list .....                                      | 32 |

Kopiranje ili umnožavanje dokumentacije i popratnih materijala o proizvodu, čak i djelomično, dopušteno je samo uz izričito dopuštenje tvrtke iSC GmbH.

Zadržavamo pravo na tehničke izmjene



Upozorenje - pročitajte upute za uporabu kako bi se smanjio rizik od ozljeđivanja



**Nosite zaštitu za sluh.** Buka može utjecati na gubitak sluha.



**Nosite masku za zaštitu od prašine.** Kod obrade drva i drugih materijala može doći do stvaranja prašine štetne po zdravlje. Azbestni materijali ne smiju se obrađivati!



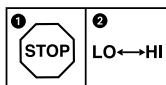
**Nosite zaštitne naočale.** Iskre koje nastaju za vrijeme rada, iverje, piljevina i prašina koji izlaze iz uređaja mogu izazvati gubitak vida.



**OPREZ**



**UPOZORENJE:** Mogućnost strujnog udara! Ne otvarati kućište proizvoda!



Da biste izbjegli oštećenje pogona, promjenu brzine vrtnje treba obavljati samo kad uređaj ne radi.

## 1. Uvod

Srdačne čestitke na kupnji Vašeg novog uređaja. Ovim ste se odlučili za kvalitetan proizvod. Upute za uporabu sastavni su dio ovog proizvoda. One sadrže važne napomene za sigurnost, korištenje i zbrinjavanje. Prije uporabe proizvoda upoznajete se sa svim napomenama za sigurnost i rukovanje. Koristite proizvod samo na opisan način i navedene radove. Kod prosljeđivanja proizvoda trećem predajte mu svu dokumentaciju.

## 2. Sigurnosne napomene

### ⚠ Upozorenje!

**Pročitajte sve sigurnosne napomene i upute.** Propusti kod pridržavanja sigurnosnih napomena i uputa mogu uzrokovati električni udar, požar i/ili teške povrede. **Sačuvajte sve sigurnosne napomene i upute za ubuduće.**

Pojam „električni alat“, koji se koristi u sigurnosnim napomenama, odnosi se na električne alate koji rade na strujni pogon (s mrežnim kabelom) i na akumulatorski pogon (bez mrežnog kabela).

### 1. Sigurnost radnog mjesta

- Svoje radno područje održavajte čistim i radite pod dobrom rasvjetom.** Nered ili neosvijetljeno radno područje mogu dovesti do nesreće na radu.
- Ne radite s električnim alatima u okolini gdje postoji opasnost od eksplozije i u kojoj se nalaze zapaljive tekućine, plinovi ili prašina.** Električni alati stvaraju iskre koje mogu zapaliti prašinu ili pare.
- Djecu i druge osobe držite podalje za vrijeme uporabe električnih alata.** Prilikom promjene smjera možete izgubiti kontrolu nad uređajem.

### 2. Električna sigurnost

- Priključni utikač električnog alata mora odgovarati utičnici. Na utikaču nije dopušteno obavljati bilo kakve preinake. Ne koristite adap-**

**torski utikač zajedno s uzemljenim električnim alatima.** Originalni utikači i odgovarajuće utičnice smanjuju rizik od električnog udara.

- Izbjegavajte tjelesni kontakt s uzemljenim površinama poput cijevi, radijatora, peći i hladnjaka.** Postoji povećan rizik od električnog udara, ako je vaše tijelo uzemljeno.
- Držite električni alat podalje od kiše i vlage.** Prodiranje vode u električni uređaj povećava rizik od električnog udara.
- Ne koristite kabel za nošenje ili vješanje električnog alata, ili za izvlačenje utikača iz utičnice. Držite kabel podalje od izvora topline, ulja, oštih rubova ili pokretnih dijelova uređaja.** Oštećeni ili zapetljani kabel povećava rizik od električnog udara.
- Ako radite s električnim alatom na otvorenom, koristite samo produžne kabele koji su prikladni za uporabu na otvorenom.** Uporaba produžnog kabela prikladnog za rad na otvorenom smanjuje rizik od električnog udara.
- Ako nije moguće izbjeći rad električnih alata u vlažnoj okolini, upotrijebite zaštitni strujni prekidač.** Uporabom zaštitnog strujnog prekidača smanjuje se rizik od električnog udara.

### 3. Sigurnost ljudi

- Budite oprezni, pripazite što činite i radu s električnim alatom pristupite savjesno. Ne koristite električni alat ako ste umorni ili pod utjecajem droge, alkohola ili medikamena-ta.** Trenutak nepažnje za vrijeme uporabe električnog alata može dovesti do ozbiljnih povreda.
- Nosite osobnu zaštitnu opremu i uvijek nosite zaštitne naočale.** Nošenje osobne zaštitne opreme kao što je maska za prašinu, zaštitne cipele koje ne klizaju, zaštitni šljem ili zaštita za sluh, ovisno o vrsti i načinu uporabe električnog alata, smanjuje rizik od ozljeđivanja.
- Izbjegavajte nekontrolirano puštanje**

**u rad. Prije priključivanja električnog alata na napajanje strujom i/ili baterijom, i prije no što ćete ga skinuti ili nositi, provjerite je li isključen.** Ako prilikom nošenja električnog alata imate prst na prekidaču ili ako uključen uređaj priključite na mrežu, može doći do nezgode.

- d) Prije uključivanja uređaja, uklonite alate za podešavanje ili ključ za vijke.** Alat ili ključ koji bi se našao nalazi u rotirajućem dijelu uređaja može uzrokovati ozljeđivanja.
- e) Izbjegavajte nenormalne položaje tijela. Pobrinite se za stabilan položaj i u svakom trenutku držite ravnotežu.** Na taj način moći ćete uređaj bolje kontrolirati u neočekivanim situacijama.
- f) Nosite odgovarajuću radnu odjeću. Ne nosite široku odjeću ili nakit. Kosu, odjeću i rukavice ne približavajte pokretnim dijelovima.** Široku odjeću, nakit ili dugu kosu pokretni dijelovi mogu zahvatiti.
- g) Ako se mogu montirati naprave za odsisavanje i sakupljanje prašine, provjerite jesu li priključene i koriste li se pravilno.** Usisavanjem prašine možete smanjiti opasnosti koje nastaju zbog stvaranja prašine.

#### **4. Uporaba i rukovanje električnim alatom**

- a) Ne preopterećujte uređaj. Koristite alat koji je namijenjen za vaš posao.** Odgovarajućim električnim alatom radit ćete bolje i sigurnije u navedenom području snage.
- b) Ne koristite električni alat čiji je prekidač neispravan.** Električni alat koji se više ne može uključiti ili isključiti je opasan i mora se popraviti.
- c) Prije izvođenja podešavanja na uređaju, zamjene dijelova pribora ili odlaganja uređaja, izvucite utikač iz utičnice i/ili uklonite akumulator.** Spomenute mjere opreza sprječavaju nekontrolirano pokretanje električnog alata.
- d) Nekorišteni električni alat odložite na mjesto izvan dohvata djece. Ne**

**dopustite uporabu uređaja osobama koje nisu upoznate s njegovim radom ili nisu pročitale ove upute.** Električni alati su opasni ako ih koriste osobe bez odgovarajućeg iskustva.

- e) Električne alate njegujte s dužnom pažnjom. Provjerite funkcioniraju li pokretni dijelovi besprijekorno ili možda zapinju, jesu li slomljeni ili oštećeni tako da bi mogli ugroziti pravilan rad električnog alata. Prije uporabe uređaja, oštećene dijelove predajte na popravak.** Uzrok mnogih nezgoda je loše održavanje električnog alata.
- f) Alate za rezanje održavajte oštirima i čistima.** Pažljivo održavani alati za rezanje s nabrušenim oštrocima manje zapinju i lakše ih je voditi.
- g) Električni alat, pribor i nastavke alata itd. koristite u skladu s ovim uputama. Pritom obratite pažnju na radne uvjete i aktivnost koju treba izvršiti.** Nenamjenska uporaba električnih alata može dovesti do opasnih situacija.

#### **5. Korištenje i rukovanje akumulatorskim alatom**

- a) Baterije punite samo u punjačima koje je preporučio proizvođač.** Kod punjača koji je namijenjen punjenju određenih vrsta baterija postoji opasnost od požara, ako koristite drugačije baterije.
- b) U elektroalatima koristite samo za to predviđene baterije.** Uporaba drugačijih baterija može dovesti do ozljeda i požara.
- c) Bateriju koju ne koristite držite podalje od uredskih spajalica, kovanica, ključeva, čavala, vijaka ili sličnih sitnih metalnih predmeta koji bi mogli prouzročiti premošćenje kontakata.** Kratki spoj između kontakata baterije može izazvati opekotine ili požar.
- d) U slučaju pogrešnog korištenja iz baterije može iscuriti tekućina. Izbjegavajte kontakt s njom. U slučaju kontakta, isperite dotično mjesto vodom.** Ako tekućina dospije u oči, zatražite liječničku

pomoć Tekućina izašla iz akumulatora može izazvati nadražaj kože ili opekline.

## 6. Servis

**a) Svoj uređaj predajte na popravak isključivo kvalificiranom stručnom osoblju uz uporabu originalnih rezervnih dijelova.** Na taj način omogućava se siguran rad uređaja.

**Kada izvodite radove kod kojih bi vijak ili korišteni alat mogli dodirnuti skrivene strujne vodove, držite uređaj samo za izolirane površine ručki.** Kontakt sa strujnim kablom može staviti pod napon i metalne dijelove uređaja, što dovodi do udara električne struje.

### Specijalne sigurnosne napomene

Prilikom izrade vodimo najveću brigu o svakom paketu akumulatora, da bi Vam oni mogli dati maksimalnu energiju, biti dugovječni i sigurni. Čelije akumulatora raspolažu višestupanjskim sigurnosnim napravama. Svaka čelija najprije se formira i snime se njezine električne karakteristike. Ovi podaci zatim se koriste, da bi se mogli grupirati najbolji paketi akumulatora. **Unatoč svim mjerama sigurnosti kod rukovanja akumulatorima uvijek je potreban oprez. Za siguran rad obavezno je potrebno obratiti pažnju na sljedeće točke. Siguran rad zajamčen je samo s neoštećenim čelijama. Pogrešno rukovanje vodi do oštećenja čelija.**

**Pažnja!** Analize potvrđuju da su gruba povreda načina korištenja i pogrešna njega glavni uzrok oštećenja visokoučinskih akumulatora.

### Napomene o akumulatoru

- Paket akumulatora za ovaj uređaj prilikom isporuke nije napunjen. Prije prvog puštanja u rad morate ga zbog toga napuniti.
- U svrhu postizanja optimalne snage izbjegavajte potpuno pražnjenje akumulatora! Akumulator punite često.
- Akumulator skladištite na hladnom mjestu, najbolje na temp. od 15 °C i napunjen mini-

malno 40 %.

- Akumulatori s ionima litija prirodno podliježu starenju. Najkasnije onda kad radni učinak akumulatora bude iznosio samo 80 % iskoristivosti, akumulator se mora zamijeniti. Oslabljene čelije u ostarjelom paketu akumulatora nisu više dorasle velikim zahtjevima za snagom i na taj način predstavljaju rizik u pogledu sigurnosti.
- Istrošene akumulatore ne bacajte u otvorenu vatru. Opasnost od eksplozije!
- Ne spaljujte akumulatore niti ih izlažite gorenju.
- **Ne praznite akumulatore do kraja!** Potpuno pražnjenje oštećuje čelije akumulatora. Najčešći uzrok za potpuno pražnjenje paketa akumulatora predstavlja dugo mirovanje odnosno nekorisćenje djelomično ispražnjenog akumulatora. Prekinite s radom čim snaga vidljivo popusti ili pak reagira zaštitna elektronika. Spremite akumulator tek nakon potpunog punjenja.
- **Zaštitite uređaj odnosno akumulator od preopterećenja!** Preopterećenje brzo dovodi do pregrijavanja i oštećenja čelija u unutrašnjosti kućišta akumulatora, a da se pregrijavanje ne zapazi izvana.
- **Izbjegavajte oštećenja i udarce!** Obavezno zamijenite akumulator koji Vam je ispao s visine veće od metra ili koji je bio izložen jakim udarcima, čak i ako se njegovo kućište čini neoštećeno. Čelije u unutrašnjosti akumulatora boga biti ozbiljno oštećene. Obratite također pozornost na informacije o zbrinjavanju.
- U slučaju preopterećenja i pregrijavanja integrirani zaštitni sklop isključuje uređaj iz sigurnosnih razloga. **Pozor!** Kad zaštitni sklop isključi uređaj, više nemojte pritiskati sklopku za uključivanje/isključivanje. To može uzrokovati oštećenje akumulatora.
- Koristite samo originalne akumulatore. Uporaba drugačijih akumulatora može dovesti do ozljeda, eksplozije i požara.

### Napomene o punjaču i postupku punjenja

- Isporučeni uređaj za punjenje ne koristite za punjenje baterija koje nisu predviđene za punjenje.
- Obratite pozornost na podatke navedene na tipskoj pločici punjača. Priključite punjač samo na naponsku mrežu koja je navedena na tipskoj pločici.
- Zaštitite uređaj za punjenje i vod od oštećenja i oštih rubova. Električar treba obavezno zamijeniti oštećene kabele ili utikač.
- Ovaj uređaj ne smiju koristiti osobe (uključujući djecu) s ograničenim fizičkim, osjetilnim ili psihičkim sposobnostima, ili osobe bez iskustva i/ili znanja, osim ako su pod nadzorom osobe nadležne za njihovu sigurnost ili od nje primaju upute za uporabu uređaja.
- Djeca trebaju biti pod nadzorom kako bi se osiguralo da se ne igraju uređajem.
- Ne koristite oštećene punjače.
- Ne koristite priloženi punjač za punjenje drugih akumulatorskih uređaja.
- Kod jačih opterećenja paket akumulatora se zagrijava. Prije početka punjenja ostavite paket akumulatora da se ohladi na sobnoj temperaturi.
- **Nemojte prekomjerno puniti akumulator!** Obratite pozornost na maksimalna vremena punjenja. Ova vremena vrijede samo za ispražnjene akumulator. Višekratno uključivanje napunjenog ili djelomično napunjenog akumulatora dovodi do prekomjerne napunjenosti i oštećenja ćelija. Ne ostavljajte akumulator priključen na punjač više dana.
- **Ne koristite i ne puniti akumulator za koje smatrate da je od zadnjeg punjenja prošlo više od 12 mjeseci.** Velika je vjerojatnost da je akumulator već opasno oštećen (potpuno ispražnjen).
- Punjenje na temperaturi ispod 10 °C dovodi do kemijskog oštećenja ćelije i može uzrokovati požar.
- Nemojte koristiti akumulator koji su se tijekom punjenja zagrijali jer bi akumulatorske ćelije mogle biti opasno oštećene.
- Nemojte više koristiti akumulator koji su se

tijekom punjenja izvitoperili ili deformirali, ili pokazuju neobične simptome (izlaženje plina, šištanje, pucketanje, ...)

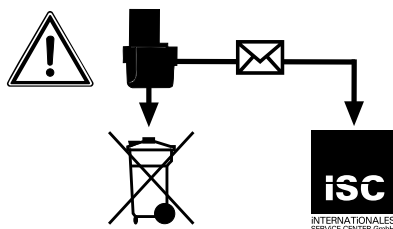
- Nemojte u cijelosti isprazniti akumulator (preporučena krajnja ispražnjenost maks. 80 %). Potpuna ispražnjenost dovodi do prijevremenog starenja akumulatorskih ćelija.
- Baterije nikad nemojte puniti bez nadzora!

### Zaštita od utjecaja okoline

- Nosite prikladnu radnu odjeću. Nosite zaštitne naočale.
- **Zaštitite Vaš akumulatorski uređaj i punjač od vlage i kiše.** Vlaga i kiša mogu dovesti do opasnog oštećenja ćelija.
- Ne koristite akumulatorski uređaj i punjač u području isparivanja i zapaljivih tekućina.
- Punjač i akumulatorske uređaje koristite samo u suhom stanju i pri temperaturi okoline od 10-40 °C.
- Ne odlažite akumulator na mjestima na kojima bi temperatura mogla prijeći 40 °C, naročito ne u vozilu parkiranom na suncu.
- **Zaštitite akumulator od pregrijavanja!** Preopterećenje, prekomjerna punjenost ili sunčeve zrake dovode do pregrijavanja i oštećenja ćelija. Ne puniti niti radite s akumulatorima koji su bili pregrijani – obavezno ih zamijenite.
- **Skladištenje akumulatora, punjača i akumulatorskih uređaja.** Skladištite punjač i Vaš akumulatorski uređaj samo u suhim prostorijama pri temperaturi okoline od 10-40 °C. Akumulator s ionima litija skladištite na hladnom i suhom mjestu pri 10-20 °C. Zaštitite ih od vlage u zraku i direktnog sunčevog zračenja. Skladištite samo napunjene akumulator (min. 40 %).
- Spriječite smrzavanje akumulatora s ionima litija. Akumulator koji su skladišteni duže od 60 minuta na temp. nižoj od 0°C treba zbrinuti na mjestu za reciklažu.
- Oprez kod rukovanja s akumulatorima obzirom na elektrostatičko punjenje: Elektrostatička pražnjenja uzrokuju oštećenja na zaštitnoj elektronici i akumulatorskim ćelijama! Zbog toga izbjegavajte elektrostatičko punjenje i nikad ne dodirujte



polove akumulatora!



Akumulatori i elektrouređaji pogonjeni akumulatorima sadrže materijale opasne po okoliš. Akumulatorske uređaje ne bacajte u kućno smeće. Nakon kvara ili istrošenosti uređaja izvadite akumulator i pošaljite ga na adresu tvrtke iSC GmbH, Eschenstraße 6 in D-94405 Landau, ili, ako su oni nerazdvojni, pošaljite cijeli akumulatorski uređaj. Tamo će proizvođač zbrinuti uređaj na stručan način.

**Prilikom slanja ili zbrinjavanja akumulatora odn. akumulatorskog uređaja obratite pozornost na to da budu zapakirani pojedinačno u plastične vrećice da bi se izbjegao kratki spoj ili požar!**

**Dobro spremite ove sigurnosne napomene.**

### 3. Opis uređaja i sadržaj isporuke

#### 3.1 Opis uređaja (slika 1/8)

1. Podešavanje okretnog momenta
2. Preklopnik 1. brzina vrtnje – 2. brzina vrtnje
3. Pokazivač kapaciteta akumulatora
4. Sklopka za smjer vrtnje
5. Akumulator
6. Razdjelna tipka
7. Sklopka za uključivanje/isključivanje
8. LED svjetlo
9. Integrirani magnetski prihvatnik nastavka
10. Zaglavnik za brzo pritezanje svrdla
11. Punjač

#### 3.2 Sadržaj isporuke

- Otvorite pakovinu i pažljivo izvadite uređaj.
- Uklonite ambalažu kao i dijelove za sigurnost pakiranja / za sigurnost tijekom transporta (ako postoje).
- Provjerite je li sadržaj isporuke cjelovit.
- Prekontrolirajte postoje li na uređaju i dijelovima pribora transportna oštećenja.
- Po mogućnosti sačuvajte pakovinu do isteka jamstvenog roka.

#### Pozor!

**Uređaj i materijal pakovine nisu igračke za djecu! Djeca se ne smiju igrati plastičnim vrećicama, folijama i sitnim dijelovima! Postoji opasnost da ih progutaju i tako se uguše!**

- Akumulatorska bušilica
- Punjač
- Akumulator
- Originalne upute za uporabu

### 4. Namjenska uporaba

Akumulatorska bušilica prikladna je za uvrtnje i otpuštanje vijaka kao i za bušenje u drvetu, metalu i plastici.

Uređaj se smije koristiti samo namjenski. Svaka drugačija uporaba nije namjenska. Za štete ili ozljede svih vrsta nastale zbog nenamjenskog korištenja odgovoran je korisnik/rukovatelj a nikako proizvođač.

Molimo da obratite pozornost na to da naši uređaji nisu pogodni za korištenje u komercijalne, obrtničke ili industrijske svrhe. Ne preuzimamo jamstvo ako se uređaj koristi u komercijalne i industrijske svrhe kao i u sličnim djelatnostima.

## 5. Tehnički podaci

Naponsko napajanje motora: ..... 10,8 V d.c.  
 Broj okretaja u  
 praznom hodu: ..... 0-300/0-1050 min<sup>-1</sup>  
 Stupnjevi okretnog momenta: ..... 17+1 stupanj  
 Desni-lijevi smjer vrtnje: ..... da  
 Širina zaglavnika za svrdlo: ..... 1-10 mm  
 Tip akumulatora: ..... litij ioni  
 Kapacitet akumulatora: ..... 1,3 Ah  
 Broj ćelija: ..... 3  
 Napon punjenja akumulatora: ..... 10,8 V d.c.  
 Struja punjenja akumulatora: ..... 1500 mA  
 Mrežni napon punjača: ..... 100-240 V~ 50 Hz  
 Težina: ..... 1,0 kg  
 Maks. promjer vijka: ..... 6 mm

### Buka i vibracije

Vrijednosti buke i vibracija određene su prema normi EN 60745.

Razina zvučnog tlaka  $L_{pA}$  ..... 65,3 dB (A)  
 Nesigurnost  $K_{pA}$  ..... 3 dB  
 Intenzitet buke  $L_{WA}$  ..... 76,3 dB (A)  
 Nesigurnost  $K_{WA}$  ..... 3 dB

### Nosite zaštitu za sluh.

Buka može utjecati na gubitak sluha.

Ukupne vrijednosti vibracija (vektorski zbroj triju pravaca) određene su prema normi EN 60745.

### Bušenje u metalu

Vrijednost emisije vibracija  $a_h < 2,5 \text{ m/s}^2$   
 Nesigurnost  $K = 1,5 \text{ m/s}^2$

### Uvrtnje vijaka bez udarca

Vrijednost emisije vibracija  $a_h < 2,5 \text{ m/s}^2$   
 Nesigurnost  $K = 1,5 \text{ m/s}^2$

### Upozorenje!

Navedena vrijednost emisije vibracija izmjerena je prema normiranom postupku ispitivanja i može se, ovisno o načinu korištenja elektroalata, promijeniti a u izuzetnim slučajevima može biti i veća od navedene vrijednosti.

Navedena vrijednost emisije vibracija može se koristiti u svrhu usporedbe elektroalata jedne tvrtke s elektroalatom neke druge tvrtke.

Navedena vrijednost emisije vibracija može se također koristiti za početnu procjenu ugrožavanja zdravlja.

Postoji nužnost utvrđivanja sigurnosnih mjera za zaštitu korisnika na osnovu procjene izloženosti tijekom stvarno postojećih uvjeta korištenja (pritom treba uzeti u obzir sve segmente ciklusa rada, primjerice vrijeme u kojem je elektroalat isključen, kao i vrijeme tijekom kojeg je uključen ali radi bez opterećenja).

### Ograničite stvaranje buke i vibracija na minimum!

- Koristite samo besprijekorne uređaje.
- Redovito čistite i održavajte uređaj.
- Svoj način rada prilagodite uređaju.
- Nemojte preopterećivati uređaj.
- Po potrebi predajte uređaj na kontrolu.
- Isključite uređaj kad ga ne koristite.
- Nosite zaštitne rukavice.

### Ostali rizici

**Čak i kad se ovi elektroalati koriste propisno, uvijek postoje neki drugi rizici.**

**Sljedeće opasnosti mogu nastati vezi s izvedbom i konstrukcijom elektroalata:**

1. Oštećenja pluća ako se ne nosi prikladna maska za zaštitu od prašine.
2. Oštećenja sluha ako se ne nosi prikladna zaštita za sluh.
3. Zdravstveni problemi koji nastaju kao posljedica vibracija na šaku-ruku u slučaju da se uređaj koristi tijekom dužeg vremena ili se nepropisno koristi i održava.

## 6. Prije puštanja u pogon

Prije korištenja akumulatorskog odvijača obavezno pročitajte ove napomene:

1. Akumulator punite pomoću isporučenog uređaja za punjenje. Prazan akumulator napunjen je nakon otprilike 1 sata.
2. Koristite samo oštra svrdla kao i besprijeckorne i prikladne nastavke za odvijač.
3. Prilikom bušenja i uvrtanja vijaka u zidove prethodno provjerite ima li u njima skrivenih strujnih kabela ili cijevi za plin i vodu.

## 7. Rukovanje

### 7.1 Punjenje Li akumulatora (sl. 2-3)

Akumulator je zaštićen od potpunog pražnjenja. Kad je akumulator prazan, integrirani zaštitni sklop automatski isključuje uređaj. U tom slučaju prihvatnik nastavka više se ne okreće.

**Upozorenje!** Kad zaštitni sklop isključuje uređaj, više nemojte pritiskati sklopku za uključivanje/isključivanje. To može uzrokovati oštećenje akumulatora.

1. Izvadite akumulator (5) iz ručke; pritom pritisnite razdjelne tipke (6) na lijevoj i desnoj strani.
2. Usporedite odgovara li napon naveden na tipskoj pločici postojećem naponu mreže. Utaknite mrežni utikač uređaja za punjenje (11) u utičnicu. Zelena LED diod počne treperiti.
3. Umetnite akumulator (5) u punjač (11).
4. Pod točkom 10 (prikaz uređaja za punjenje) naći ćete tablicu sa značenjima LED prikaza na uređaju za punjenje.

Ako punjenje akumulatora ne bi bilo moguće, molimo da provjerite

- ima li u utičnici napona
- jesu li kontakti na uređaju za punjenje (11) besprijeckorni.

Ako punjenje akumulatora ne bi bilo moguće, molimo da provjerite

- uređaj za punjenje i adapter
- i akumulator

pošaljete našoj servisnoj službi.

Da bi akumulator imao dugi vijek trajanja, trebale uvijek imati na umu pravovremeno ponovno punjenje Li akumulatora. To je u svakom slučaju potrebno ako utvrdite da se je smanjila snaga akumulatorskog odvijača.

### 7.2 Podešavanje okretnog momenta (sl. 4/poz. 1)

Akumulatorski odvijač ima mehaničko podešavanje okretnog momenta.

Okretni moment podešava se na za to predviđenom prstenu (1) za određenu veličinu vijaka. Potreban okretni moment ovisi o više faktora:

- vrsti i tvrdoći materijala koji se obrađuje
- vrsti i duljini korištenih vijaka
- zahtjevima za vijčani spoj.

Kad je željeni okretni moment podešen, spojka daje signal.

**Pozor! Prsten za podešavanje okretnog momenta podešavajte samo dok uređaj ne radi.**

### 7.3 Bušenje (sl. 4/poz. 1)

Za bušenje podesite prsten za podešavanje okretnog momenta na posljednji stupanj „svrdlo“. Na stupnju Bušenje klizna spojka nije u funkciji. Kod bušenja je na raspolaganju maksimalni okretni moment.

### 7.4 Promjena brzine vrtnje 1 - 2 (sl. 4/poz. 2)

Ovisno o položaju preklopnika, možete raditi s većim ili manjim brojem okretaja. Da biste izbjegli oštećenje pogona, promjenu brzine vrtnje treba obavljati samo kad uređaj ne radi.

### 7.5 Prikaz kapaciteta akumulatora (sl. 4/poz. 3)

Pritisnite tipku za prikaz kapaciteta akumulatora (a). Prikaz kapaciteta (3) signalizira Vam stanje napunjenosti akumulatora pomoću 3 LED diode u boji.

### 7.6 Sklopka za smjer vrtnje (sl. 5/poz. 4)

Pomoću klizne sklopke iznad sklopke za uključivanje/isključivanje možete podesiti smjer vrtnje akumulatorskog odvijača i osigurati ga od neželjenog uključivanja. Možete odabrati lijevi ili desni smjer vrtnje. Da biste izbjegli oštećenje pogona, promjenu smjera vrtnje treba obavljati samo kad uređaj ne radi. Ako se klizna sklopka nalazi u srednjem položaju, sklopka za uključivanje/isključivanje nije u funkciji.

### 7.7 Sklopka za uključivanje/isključivanje (sl. 5/poz. 7)

Pomoću sklopke za uključivanje/isključivanje možete kontinuirano upravljati brojem okretaja. Što više pritišćete sklopku, veći je broj okretaja akumulatorskog odvijača.

### 7.8 LED svjetlo (sl. 5/poz. 8)

U slučaju nepovoljne rasvjete LED svjetlo (8) osvjetljava mjesto uvrtnja odnosno bušenja. LED svjetlo (8) svijetli automatski čim se pritisne sklopka za uključivanje/isključivanje (7).

### 7.9 Zamjena alata (sl. 6)

**Pozor!** Kod svih radova (npr. zamjena alata, održavanje itd.) na akumulatorskom odvijaču sklopku za smjer vrtnje (4) stavite u srednji položaj.

- Akumulatorski odvijač ima zaglavnik za brzo pritezanje svrdla (10) s automatskom aretacijom vretena.
- Odvrnite zaglavnik za svrdlo (10). Otvor zaglavnika (b) mora biti dovoljno velik da bi mogao prihvatiti alat (svrdlo odn. nastavak za odvijač).
- Odaberite prikladan alat. Gurnite alat što dublje u otvor zaglavnika (b).
- Okretom pričvrstite zaglavnik (10) i na kraju provjerite je li alat dobro pričvršćen.

### 7.10 Uvrtnje vijaka

Najbolje je da koristite vijke sa samocentriranjem (npr. torx, križni vijak) koji omogućuju siguran rad. Pripazite na to da korišteni nastavak svojim oblikom i veličinom odgovara vijku. Okretni moment podesite, kao što je opisano u uputama, prema veličini vijka.

### 7.11 Integrirani magnetski prihvatnik nastavka (sl. 7-8)

Akumulatorski odvijač-bušilica ima integrirani magnetski prihvatnik (9) za nastavke od 1/4 cola (6,35 mm).

Da biste ih koristiti, stavite zaglavnik za brzo pritezanje svrdla (10) tako da stražnju čahuru zaglavnika za svrdlo (c) pritisnete u smjeru zaglavnika.

Sad možete umetnuti odgovarajući nastavak u integrirani magnetski prihvatnik (9).

Da biste ponovno montirali zaglavnik, natakните ga na prihvatnik nastavka i malo ga okrenite tako da u cijelosti bude na prihvatniku. Aretirajte zaglavnik tako da njegovu čahuru (c) gurnete u smjeru uređaja.

## 8. Čišćenje, održavanje i naručivanje rezervnih dijelova

Prije svih radova čišćenja izvucite mrežni utikač.

### 8.1 Čišćenje

- Zaštitne naprave, prolaze za zrak i kućište motora treba uvijek očistiti od prašine i nečistoća. Istrljajte uređaj čistom krpom ili ga ispušite komprimiranim zrakom pod niskim tlakom.
- Preporučujemo da očistite uređaj odmah nakon svake uporabe.
- Redovito čistite uređaj mokrom krpom i s malo kalijevog sapuna. Ne koristite otapala ili sredstva za čišćenje; ona bi mogli oštetiti plastične dijelove uređaja. Pripazite na to da u unutrašnjost uređaja ne dospije voda.

### 8.2 Održavanje

U unutrašnjosti uređaja nema dijelova koje bi trebalo održavati.

### 8.3 Naručivanje rezervnih dijelova:

Kod naručivanja rezervnih dijelova trebali biste navesti sljedeće podatke:

- Tip uređaja
- Kataloški broj uređaja
- Identifikacijski broj uređaja

Aktualne cijene nalaze se na web stranici [www.isc-gmbh.info](http://www.isc-gmbh.info)



Samo za zemlje članice EU

Elektroalate nemojte bacati u kućno smeće!

Prema europskoj odredbi 2002/96/EG o starim električnim i elektroničkim uređajima i njenim prijenosom u nacionalno pravo, istrošeni električni alati trebaju se posebno sakupljati i na ekološki način zbrinuti na mjestu za reciklažu.

Alternativa s recikliranjem nasuprot zahtjevu za povrat:

Vlasnik električnog uređaja alternativno je obvezan da umjesto povrata uređaja u slučaju odricanja vlasništva sudjeluje u stručnom zbrinjavanju uređaja. Stari uređaj može se u tu svrhu predati i mjestu za preuzimanje takvih uređaja koje provodi uklanjanje u smislu državnih zakona o otpadu i recikliranju. Zakonom nisu obuhvaćeni dijelovi pribora ugrađeni u stare uređaje i pomoćni materijali bez električnih elemenata.

## 9. Zbrinjavanje u otpad i recikliranje

Uređaj je zapakiran kako bi se tijekom transporta spriječila oštećenja. Ova pakovina je sirovina i može se ponovno upotrijebiti ili predati na reciklažu. Uređaj i njegov pribor sastavljeni su od raznih materijala, kao npr. metal i plastika. Neispravne sklopove odložite u specijalni otpad. Raspitajte se u specijaliziranoj trgovini ili općinskoj upravi!

## 10. Prikaz punjača

| Status prikaza |            | Značenje i postupak   |
|----------------|------------|---|
| Crveni LED     | Zeleni LED |   |
| Isključen      | Treperi    | <b>Spremnost za rad</b><br>Punjač je priključen na mrežu i spreman za rad, akumulator nije u punjaču.   |
| Uključen       | Isključen  | <b>Punjenje</b><br>Punjač puni akumulator u režimu brzog punjenja.  |
| Isključen      | Uključen   | Akumulator je potpuno napunjen (postupak punjenja završen).<br><b>Postupak:</b><br>Izvadite akumulator iz punjača. Isključite punjač iz mreže.  |
| Treperi        | Treperi    | <b>Greška</b><br>Postupak punjenja više nije moguć. Akumulator je neispravan.<br><b>Postupak:</b><br>Neispravn akumulator više ne smijete puniti.<br>Izvadite akumulator iz punjača.                              |
| Uključen       | Uključen   | <b>Temperaturne smetnje</b><br>Akumulator je prevruć (npr. izravna izloženost suncu) ili prehladan (ispod 0 °C).<br><b>Postupak:</b><br>Izvadite akumulator i čuvajte ga 1 dan na sobnoj temperaturi (oko 20 °C). |

## 11. Izjava o usklađenosti

**Einhell Germany AG · Wiesenweg 22 · D-94405 Landau/Isar**



### Konformitätserklärung

|  |  |
|--|--|
| <b>D</b> erklärt folgende Konformität gemäß EU-Richtlinie und Normen für Artikel                           | <b>PL</b> deklaruje zgodność wymienionego poniżej artykułu z następującymi normami na podstawie dyrektywy WE.  |
| <b>GB</b> explains the following conformity according to EU directives and norms for the following product | <b>BG</b> декларира съответното съответствие съгласно Директива на ЕС и норми за артикул   |
| <b>F</b> déclare la conformité suivante selon la directive CE et les normes concernant l'article           | <b>LV</b> paskaidro šādu atbilstību ES direktīvai un standartiem   |
| <b>I</b> dichiara la seguente conformità secondo la direttiva UE e le norme per l'articolo                 | <b>LT</b> apibūdina šį atitikimą EU reikalavimams ir prekės normoms  |
| <b>NL</b> verklaart de volgende overeenstemming conform EU richtlijn en normen voor het product            | <b>RO</b> declară următoarea conformitate conform directivei UE și normelor pentru articolul   |
| <b>E</b> declara la siguiente conformidad a tenor de la directiva y normas de la UE para el artículo       | <b>GR</b> δηλώνει την ακόλουθη συμμόρφωση σύμφωνα με την Οδηγία ΕΚ και τα πρότυπα για το προϊόν  |
| <b>P</b> declara a seguinte conformidade, de acordo com a directiva CE e normas para o artigo              | <b>HR</b> potvrđuje sljedeću usklađenost prema smjernicama EU i normama za artikl<br>Izjava o sukladnosti za ovaj proizvod dostupna je na internet stranici www.lidl.hr. |
| <b>DK</b> attesterer følgende overensstemmelse i medfør af EU-direktiv samt standarder for artikel         | <b>BIH</b> potvrđuje sljedeću usklađenost prema smjernicama EU i normama za artikl   |
| <b>S</b> förklarar följande överensstämmelse enl. EU-direktiv och standarder för artikeln                  | <b>RS</b> potvrđuje sledeću usklađenost prema smernicama EZ i normama za artikl  |
| <b>FIN</b> vakuuttaa, että tuote täyttää EU-direktiivin ja standardien vaatimukset                         | <b>RUS</b> следующим удостоверяется, что следующие продукты соответствуют директивам и нормам ЕС   |
| <b>EE</b> tõendab toote vastavust EL direktiivile ja standarditele   | <b>UKR</b> проголошує про зазначену нижче відповідність виробу директивам та стандартам ЄС на виріб  |
| <b>CZ</b> vydává následující prohlášení o shodě podle směrnice EU a norem pro výrobek                      | <b>MK</b> ja izjavuva slednata soobraznost soglasno EU-direktivata i normite za artikli  |
| <b>SLO</b> potrjuje sledečo skladnost s smernico EU in standardi za izdelek                                | <b>TR</b> Ürünü ile ilgili AB direktifleri ve normları gereğince aşağıda açıklanan uygunluğu belirtir  |
| <b>SK</b> vydáva nasledujúce prehlásenie o zhode podľa smernice EÚ a noriem pre výrobok                    | <b>N</b> erklærer følgende samsvar i henhold til EU-direktivet og standarder for artikkel  |
| <b>H</b> a cikkekhez az EU-irányvonal és Normák szerint a következő konformitást jelenti ki                | <b>IS</b> Lysir uppfyllingu EU-reglna og annarra staðla vöru   |

### Akku-Boherschrauber PABSW 10.8 A1/Ladegerät LG PABSW 10.8 A1 (Parkside)

- |   |  |
|---|--|
| <input type="checkbox"/> 87/404/EC_2009/105/EC  | <input checked="" type="checkbox"/> 2006/42/EC   |
| <input type="checkbox"/> 2005/32/EC_2009/125/EC | <input type="checkbox"/> Annex IV<br>Notified Body:<br>Notified Body No.:<br>Reg. No.:   |
| <input type="checkbox"/> 2006/95/EC             | <input type="checkbox"/> 2000/14/EC_2005/88/EC   |
| <input type="checkbox"/> 2006/28/EC             | <input type="checkbox"/> Annex V   |
| <input checked="" type="checkbox"/> 2004/108/EC | <input type="checkbox"/> Annex VI<br>Noise measured: L <sub>WA</sub> = dB (A); guaranteed L <sub>WA</sub> = dB (A)<br>P = KW; L/Ø = cm<br>Notified Body: |
| <input type="checkbox"/> 2004/22/EC             | <input type="checkbox"/> 2006/28/EC<br>Emission No.:   |
| <input type="checkbox"/> 1999/5/EC              |  |
| <input type="checkbox"/> 97/23/EC               |  |
| <input type="checkbox"/> 90/396/EC_2009/142/EC  |  |
| <input type="checkbox"/> 89/686/EC_96/58/EC     |  |
| <input checked="" type="checkbox"/> 2011/65/EC  |  |

**Standard references: EN 60745-1; EN 60745-2-1; EN 60745-2-2; EN 55014-1;  
EN 55014-2; EN 61000-3-2; EN 61000-3-3; EN 60335-1; EN 60335-2-29**

Landau/Isar, den 20.09.2012

Weichselgartner/General-Manager

Unger/Product-Management

First CE: 12  
Art.-No.: 45.136.46 I.-No.: 11012  
Subject to change without notice

Archive-File/Record: NAPR005201  
Documents registrar: Georg Riedel  
Wiesenweg 22, D-94405 Landau/Isar

## 12. Jamstveni list

Poštovani kupče,  
naši proizvodi podliježu strogoj kontroli kvalitete. Žao nam je ako bi ipak došlo do toga da uređaj ne funkcionira besprijekorno i zamolili bismo Vas da se u tom slučaju obratite na adresu naše servisne službe navedenu ispod ovog jamstva. Također smo Vam na raspolaganju na dalje navedenom telefonskom broju servisne službe. Za traženje jamstvenog zahtjeva vrijedi sljedeće:

1. Ovi jamstveni uvjeti reguliraju dodatne jamstvene usluge. Ovo jamstvo ne zadire u Vaše zakonsko pravo zahtjeva za ostvarenje jamstvenih usluga. Realizacija jamstvenih usluga je besplatna.
2. Jamstvena usluga obuhvaća isključivo nedostatke nastale zbog greške na materijalu ili tijekom proizvodnje i ograničen je na uklanjanje tih nedostataka odnosno zamjenu uređaja. Molimo da obratite pažnju na to da naši uređaji nisu konstruirani za korištenje u komercijalne svrhe niti u obrtu i industriji. Prema tome, ugovor o jamstvu ne može se ostvariti ako se uređaj koristi u obrtničkim ili industrijskim pogonima kao i u sličnim djelatnostima. Nadalje su iz jamstva isključene usluge zamjene proizvoda u slučaju transportnih oštećenja, šteta zbog nepridržavanja uputa za montažu ili zbog nestručne instalacije, nepridržavanja uputa za uporabu (kao npr. zbog priključka na pogrešni mrežni napon ili vrstu struje), zbog zloraba ili nestručnih primjena (kao npr. preopterećenje uređaja ili korištenje nedopuštenih alata ili pribora), u slučaju nepridržavanja uputa za održavanje i sigurnosnih odredbi, zbog prodiranja stranih tijela u uređaj (npr. pijeska, kamenja ili prašine), nasilne primjene ili vanjskih utjecaja (kao npr. oštećenja zbog pada) kao i zbog uobičajenog trošenja tijekom korištenja. To naročito vrijedi za baterije za koje ipak dajemo jamstvo od 12 mjeseci. Zahtjev za jamstvo prestaje biti valjan ako su na uređaju već izvršeni neki zahvati.
3. Jamstveni rok iznosi 3 godine a započinje s datumom kupnje uređaja. Jamstveni zahtjevi ostvaruju se prije isteka jamstvenog roka unutar dvije godine nakon što ste uočili kvar. Ostvarenje jamstvenog zahtjeva nakon isteka jamstvenog roka je isključeno. Popravkom ili zamjenom uređaja ne produljuje se jamstveni rok niti se tom uslugom ostvaruju novi jamstveni rok za uređaj ili ostale ugrađene rezervne dijelove. To također vrijedi i kod korištenja servisa na licu mjesta.
4. Da biste ostvarili svoj jamstveni zahtjev, molimo Vas da nam pošaljete neispravan uređaj bez plaćanja poštarine na dalje navedenu adresu. Priložite originalni račun za kupnju uređaja ili neki drugi dokaz o kupnji s datumom. Molimo Vas da zbog tog razloga dobro sačuvate račun kao dokaz! Što točnije opišite razlog reklamacije. Ako naša jamstvena usluga obuhvaća kvar nastao na Vašem uređaju, odmah ćemo Vam vratiti popravljene ili novi uređaj.

Razumljivo je da ćemo za naknadu troškova ukloniti i kvarove koje jamstvena usluga ne obuhvaća. U tom slučaju pošaljite uređaj na adresu našeg servisa.

### **Einhell Croatia d.o.o.**

Velika Ves 2

HR-49224 Lepajci

Tel. 049 342 444 · Fax 049 342 392

IAN 86583





## Съдържание

|  |    |
|--|----|
| 1. Въведение .....   | 35 |
| 2. Инструкции за безопасност.....                          | 35 |
| 3. Описание на уреда и обем на доставка .....              | 40 |
| 4. Употреба по предназначение.....                         | 41 |
| 5. Технически данни .....                                  | 41 |
| 6. Преди пускане в експлоатация.....                       | 42 |
| 7. Обслужване.....   | 42 |
| 8. Почистване, поддръжка и поръчка на резервни части ..... | 44 |
| 9. Извозване и повторна употреба .....                     | 45 |
| 10. Индикация на зарядното устройство .....                | 46 |
| 11. Декларация за съответствие .....                       | 47 |
| 12. Гаранционен документ .....                             | 48 |

Препечатването или друг вид размножаване на документация и съпроводителни документи на продуктите, също така на части е допустимо само с изричното съгласие на iSC GmbH /ИСК ГмбХ/.

Запазено е правото за извършване на технически промени



BG



**Предупреждение** - За намаляване на опасността от нараняване, прочетете инструкцията за експлоатация



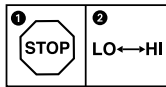
**Носете предпазно средство за слуха.** Въздействието на шума може да предизвика загуба на слуха.



**Носете предпазна маска против прах.** При обработка на дърво и други материали може да се появи вреден за здравето прах. Не трябва да се обработва материал, съдържащ азбест!



**Носете предпазни очила.** Възникващите по време на работа искри или излизащите от уреда трески, стружки и прах могат да доведат до загуба на зрение.



За да се избегне повреда на предавката, превключването на скоростите трябва да се комутира само в състояние на покой

## 1. Въведение

Поздравяваме Ви с покупката на новия уред. Избрахте да купите висококачествен продукт. Упътването за обслужване е съставна част на продукта. То съдържа важни указания по техника на безопасност, употреба и изхвърляне за отпадъци по екологосъобразен начин. Преди употреба на продукта се запознайте с всички указания за обслужване и по техника на безопасност. Използвайте продукта само както е описано и за посочените области на приложение. При предаване на продукта на трети лица връчете и всички документи към продукта.

## 2. Инструкции за безопасност

### ⚠ Предупреждение!

**Прочетете всички указания за безопасност и инструкции.** Пропуските при спазването на указанията за безопасност и инструкциите могат да имат като последица електрически удар, пожар и/или тежки наранявания. **Съхранете за в бъдеще всички указания за безопасност и инструкции.**

Използването в указанията за техника на безопасност понятие „електроинструмент“ се отнася за електроинструменти с мрежов режим на работа (с мрежов кабел) и за акумулаторно задвижвани електроинструменти (без мрежов кабел).

### 1. Безопасност на работното място

- a) **Пазете Вашата работна зона чиста и добре осветена.** Безпорядък или неосветени работни зони могат да доведат до злополуки.
- b) **Не работете с електроинструмента във взривоопасна среда, в която се намират възпламеняващи се течности, газове или прах.** Електроинструментите възпроизвеждат искри, които могат да запалят праха или парите.

- c) **По време на употреба дръжте далеч от електроуредта деца или други лица.** В случай на разсейване можете да изгубите контрол над уреда.

### 2. Електрическа безопасност

- a) **Съединителният щепсел на електроуредта трябва да се напасне с контакта. Щепселът не трябва да се променя по никакъв начин. Не използвайте адаптерни щепсели заедно със защитно заземени електроинструменти.** Непроменните щепсели и подходящите контакти намаляват риска от електрически удар.
- b) **Избягвайте телесен контакт със заземени повърхности като тези на тръби, радиатори, печки и хладилници.** Съществува повишен риск от електрически удар, ако Вашето тяло се докосне до заземен предмет.
- c) **Пазете електроинструментите от дъжд или влага.** Проникването на вода в електроуредта увеличава риска от електрически удар.
- d) **Не се отклонявайте от предназначението на кабела при носене на електроинструмента, окачване или издърпване на щепсела от контакта. Пазете уреда далеч от горещина, масло, остри кантове или движещи се части на уреда.** Повредени или омотани кабели увеличават риска от електрически удар.
- e) **Когато работите с електроинструмент на открито, използвайте само удължителни кабели, които също така са подходящи за външни зони.** Употребата на подходящ за външна зона удължителен кабел намалява риска от електрически удар.
- f) **Ако не е възможно да се избегне режима на работа на електроинструмента във влажна среда, използвайте защитен прекъсвач за утечен ток.** Използването на защитен прекъсвач за



утечен ток намалява риска от електрически удар.

### 3. Безопасност на лица

- a) Бъдете внимателни, обърнете внимание на това, което правите и се отнасяйте разумно към работата с електроинструмента. Не ползвайте електроинструмента, ако сте изморени или се намирате под влиянието на дрога, алкохол или медикаменти.** Момент на невнимание при употреба на електроинструмента може да доведе до сериозни наранявания.
- b) Носете лична защитна екипировка и винаги защитни очила.** Носенето на лична предпазна екипировка като противопрахова маска, устойчиви срещу подхлъзване защитни обувки, защитна каска или защита за слуха според вида и начина на ползване на електроинструмента намалява риска от наранявания.
- c) Избягвайте неволно пускане в експлоатация. Уверете се, че електроинструментът е изключен, преди да го свържете за електрозахранването и/или акумулатора, да го повдигнете или тръгнете да го носите.** Ако при носене на електроинструмента пръстът Ви е върху прекъсвача или свързвате уреда включен за електрозахранването, то това би могло да доведе до злополуки.
- d) Изваждайте инструментите за настройка или гаечните ключове, преди да включите електроинструмента.** Инструмент или ключ, който се намира във въртяща се част на уреда, може да предизвика наранявания.
- e) Избягвайте неестествената стойка на тялото. Погрижете се за безопасна стойка на тялото и пазете по всяко време равновесие.** По този начин по-добре бихте могли да контролирате електроинструмента в неочаквани ситуации.

- f) Носете подходящо облекло. Не носете широки дрехи или бижута. Пазете косата, облеклото и ръкавиците далеч от движещите се части.** Свободно облекло, бижута или дълга коса могат да бъдат захванати от движещите се части.
- g) В случай, че можете да монтирате прахосмукателни и прахоуловителни приспособления, уверете се, че те са свързани и се използват правилно.** Използването на прахосмукател може да намали рисковете от нараняване посредством праха.

### 4. Употреба и боравене с инструмента

- a) Не претоварвайте уреда. За работата си използвайте предназначения за целта електроинструмент.** С подходящия електроинструмент работите по-добре и по-безопасно в рамките на посочения обхват на мощност.
- b) Не използвайте електроинструмент, чийто прекъсвач е дефектен.** Електроинструмент, който не може да се включва или изключва, е опасен и следва да бъде поправен.
- c) Издърпвайте щепсела от контакта и/или изваждайте акумулатора, преди да предприемете настройки по уреда, да сменят комплектуващите части или да оставят уреда настрана.** Тази предпазна мярка възпрепятства неволно стартиране на електроинструмента.
- d) Съхранявайте неползваните електроинструменти извън обсега на достъп на деца. Не позволявайте уреда да се ползва от лица, които не са запознати с него или не са прочели тези инструкции.** Електроинструментите са опасни, когато се използват от неопитни лица.
- e) Грижете се добре за електроинструментите. Проверявайте, дали подвижните части функционират безупречно и**

да не се приклещват, дали частите са счупени или повредени по такъв начин, че се възпрепятства функционирането на електроуреда. Носете повредените части за поправка преди да използвате уреда. Причината за много злополуки се корени в лошо поддържане на електроинструментите.

- f) **Пазете Вашите електроинструменти остри и чисти.** Грижливо поддържаните режещи инструменти с остри режещи ръбове се заклещват по-малко и се управляват по-лесно.
- g) **Използвайте електроинструменти, оборудване, инструменти за употреба и.т.н. в съответствие с тези инструкции.** Съблюдавайте условията на труд и извършваната дейност. Използването на електроинструменти за други цели извън предвидените може да доведе до опасни ситуации.

#### 5. Използване и обслужване на акумулаторни инструменти

- a) **Заредете акумулаторите само в зарядни устройства, препоръчани от производителя.** За зарядното устройство, предназначено за определен вид акумулатори, съществува опасност от пожар, ако се използва с други акумулатори.
- b) **Използвайте в електрическите инструменти само предвидените за целта акумулатори.** Употребата на други акумулатори може да доведе до наранявания и опасност от пожар.
- c) **Неизползваните акумулатори дръжте далеч от канцеларски кламери, монети, ключове, гвоздеи, винтове и други малки метални предмети, които могат да предизвикат, съединяване на контактите на късо.** Късо съединение между акумулаторните контакти може да има в резултат изгаряния или пожар.
- d) **При неправилно приложение от акумулатора може да изтече**

течност. Избягвайте контакт с течността. При случаен контакт изплакнете с вода. Ако влезе течност в очите, допълнително потърсете лекарска помощ. Течност, изтичаща от акумулатора, може да доведе до дразнене на кожата или изгаряния.

#### 6. Обслужване

- a) **Носете електроинструмент си на поправка само при квалифициран специализиран персонал и само с оригиналните резервни части.** По този начин се гарантира, че ще се запази безопасността на електроинструмента.

**Дръжте уреда за изолираните повърхности на дръжките, когато извършвате работи, при които винтът или инструментът за употреба може да уцели скрити електропроводници.** Контактът с токопроводящ проводник може също така да постави под напрежение метални части на уреда и да доведе до токов удар.

#### Специални инструкции по техника на безопасност

Всички опаковки акумулаторни батерии окомплектоваме най-акуратно, за да Ви предоставим акумулаторни батерии с максимална енергийна плътност, трайност и сигурност. Акумулаторните клетки имат многостепенни защитни приспособления. Всяка отделна клетка първо се форматира и се записват електрическите ѝ характеристики. След това тези данни се използват, за да се групират опаковки с възможно най-добри акумулаторни батерии. **Въпреки всички предварителни предпазни мерки при обслужването на акумулатори винаги е необходима предпазливост. За безопасна работа е наложително да се спазват следните точки. Безопасна работа се гарантира само с неповредени клетки! Неправилното боравене води до повреди на клетките.**

**Внимание!** Анализите потвърждават, че грубото неправилно използване и неправилна поддръжка са основна причина за повреди в мощните акумулаторни батерии.

#### Указания за акумулатора

- Не използвайте доставеното зарядно устройство за зареждане на батерии, които не могат да се зареждат повторно.
- Спазвайте посочените данни върху фирмената табелка с данни на зарядното устройство. Свързвайте зарядното устройство само за посоченото върху фирмената табелка мрежово напрежение.
- Пазете зарядното устройство и проводника от повреда и остри ръбове. Повредени кабели следва незабавно да се подменят от електроспециалист.
- Зарядното устройство не е предназначено за това да се използва от лица (включително деца) с ограничени физически, възприемателни или умствени способности или поради липса на опит и/или поради липса на познания, освен ако не се надзират от компетентно за тяхната безопасност лице или получават от него инструкции за това, как трябва да се използва уреда.
- Децата би трябвало да се надзират, за да се гарантира, че не си играят с уреда.
- Не използвайте повредени зарядни устройства.
- Не използвайте доставеното зарядно устройство за зареждане на други акумулаторни уреди.
- При голямо натоварване акумулаторният пакет се затопля. Оставете акумулаторния пакет преди началото на процеса на зареждане да се охлади на стайна температура.
- **Не изпразвайте дълбоко акумулаторите!**  
Дълбокото изпразване поврежда клетките на акумулатора. Най-честата причина за дълбокото изпразване на акумулатора е продължителното складиране респ. неизползване на частично изпразвани акумулатори. Приключете процеса на

работа, щом като мощността забележимо намалява или се е задействала защитната електроника. Складирайте акумулатора едва след пълното зареждане.

- **Пазете акумулаторите респ. уреда от претоварване!**

Претоварването бързо води до прегряване и повреждане на клетката във вътрешността на корпуса на акумулатора, без прегряването да е външно забележимо.

- **Избягвайте повреди и удари!**

Незабавно подменяйте акумулатори, които са паднали от разстояние над един метър или които са били изложени на чести удари, дори когато корпусът на акумулатора изглежда неповреден. Акумулаторните клетки във вътрешната част е възможно да са сериозно повредени. За целта съблюдавайте също така указанията за екологосъобразно отстраняване.

- При претоварване и прегряване вграденото защитно изключване изключва уреда по причини, свързани с безопасността. **Внимание!** Не задействайте повече превключвателя за вкл-/ изключване, ако защитното изключване е изключило уреда. Това може да доведе до повреда по акумулатора.
- Използвайте само оригинални акумулатори. Използването на други акумулатори може да доведе до наранявания; експлозия и опасност от пожар.

#### Указания за зарядното устройство и процеса на зареждане

- Не използвайте доставеното зарядно устройство за зареждане на батерии, които не могат да се зареждат повторно.
- Спазвайте посочените данни върху фирмената табелка с данни на зарядното устройство. Свързвайте зарядното устройство само за посоченото върху фирмената табелка мрежово напрежение.
- Пазете зарядното устройство и проводника от повреда и остри ръбове.



Повредени кабели или щепсели трябва незабавно да се подменят от електроспециалист.

- Зарядното устройство не е предназначено за това да се използва от лица (включително деца) с ограничени физически, възприемателни или умствени способности или поради липса на опит и/или поради липса на познания, освен ако не се надзират от компетентно за тяхната безопасност лице или получават от него инструкции за това, как трябва да се използва уреда.
- Децата би трябвало да се надзират, за да се гарантира, че не си играят с уреда.
- Не използвайте повредени зарядни устройства.
- Не използвайте доставеното зарядно устройство за зареждане на други акумулаторни уреди.
- При голямо натоварване акумулаторният пакет се затопля. Оставете акумулаторния пакет преди началото на процеса на зареждане да се охлади на стайна температура.
- **Не презареждайте акумулаторите!** Спазвайте максималното време на зареждане. Това време на зареждане важи само за изпразнени акумулатори. Многократното поставяне на зареден или частично зареден акумулатор води до презареждане и повреждане на клетката. Не оставяйте акумулаторите поставени няколко дни в зарядното устройство.
- **Никога не използвайте и не зареждайте акумулатори, за които предполагате, че последното зареждане на акумулатора е било от преди повече от 12 месеца.** Голяма е вероятността акумулаторът вече да е рисковано повреден (дълбоко изпразване).
- Зареждане при температура под 10 °C води до химично повреждане на клетката и може да предизвика пожар.
- Не използвайте акумулатори, които са се нагрили по време на зареждането, тъй като акумулаторните клетки биха могли да са сериозно повредени.

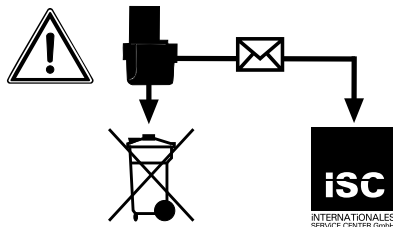
- Не използвайте повече акумулатори, които по време на зареждането са се огънали или деформирали, или които проявяват необичайни признаци (газоотделяне, шум от съскане, изпукване,...)
- Не изпразвайте изцяло акумулатора (препоръчителна дълбочина на изпразване макс. 80 %). Пълното изпразване води до преждевременно стареене на акумулаторните клетки.
- Не зареждайте никога батериите без надзор!

#### **Защита от околни влияния**

- Носете подходящо работно облекло. Носете защитни очила.
- **Пазете Вашия акумулаторен уред и зарядното устройство от влага и дъжд.** Влагата и дъждът могат да доведат до опасно повреждане на клетките.
- Не използвайте акумулаторния уред и зарядното устройство в зоната на пари и възпламеняеми течности.
- Използвайте зарядното устройство и акумулаторните уреди само в сухо състояние и при околна температура от 10-40 °C.
- Не съхранявайте акумулатора на места, които могат да достигнат температура над 40° C, по-специално в паркирано на слънце МПС.
- **Пазете акумулаторите от прегряване!** Претоварване, презареждане или слънчево облъчване водят до прегряване и до повреждане на клетката. В никакъв случай не зареждайте и не работете с акумулатори, които са прегрели – незабавно ги сменете.
- **Складиране на акумулатори, зарядни устройства и акумулаторни уреди.** Съхранявайте зарядното устройство и Вашия акумулаторен уред само в сухи помещения с околна температура от 10-40 °C. Литиево-йонният акумулатор съхранявайте на студено и сухо място при 10-20 °C. Пазете от влажността на въздуха и директното слънчево облъчване! Съхранявайте

аккумуляторите само в заредено състояние (заредени най-малко на 40 %).

- Предотвратявайте замръзването на литиево-йонния акумулатор. Акумулатори, които са били съхранявани по-дълго от 60 минути под 0 °С следва да се отстранят по екологосъобразен начин.
- Предпазливост при боравенето с акумулатори по отношение на електростатичното зареждане: електростатичните изпразвания водят до повреди на защитната електроника и акумулаторните клетки! За целта избягвайте електростатичното зареждане и никога не докосвайте полюсите на акумулатора!



Акумулатори и акумулаторно задвижвани електрически уреди съдържат застрашаващи околната среда материали. Не изхвърляйте акумулаторните уреди при битовите отпадъци. След дефект или износване на уредите, изваждайте акумулатора и го изпращайте в иСК ООД / iSC GmbH, ул. Eschenstraße 6 в Германия D-94405 Landau или в случай, че не може да се отдели, то изпращайте целия акумулаторен уред. Само там от страна на производителя се гарантира екологосъобразното отстраняване съобразно с техническите изисквания.

**При изпращането или екологосъобразното отстраняване на акумулатори респективно акумулаторни уреди обърнете внимание на това, че те са опаковани отделно в пластмасова торбичка с цел да се избегнат къси съединения или пожар!**

**Съхранявайте добре указанията за техника на безопасност.**

### 3. Описание на уреда и обем на доставка

#### 3.1 Описание на уреда (фиг. 1/8)

1. Настройка на въртящия момент
2. Превключвател 1. скорост - 2. скорост
3. Индикация за капацитета на акумулатора
4. Превключвател за посоката на въртене
5. Акумулатор
6. Бутон за блокировка
7. Вкл-/изключвател
8. Светодиодна светлина
9. Вграден магнитен бит-държач
10. Бързозатегателен патронник за свредло
11. Зарядно устройство

#### 3.2 Обем на доставка

- Отворете опаковката и внимателно извадете уреда от опаковката.
- Отстранете опаковъчния материал както и опаковъчните/и транспортни осигуровки (ако има такива).
- Проверете дали обемът на доставка е пълен.
- Проверете дали уредът и принадлежностите нямат повреди от транспортиране.
- По възможност запазете опаковката до изтичане на гаранционния срок.

#### Внимание!

**Уредът и опаковъчният материал не са детски играчки! Деца не бива да играят с пластмасови торбички, фолио малки детайли! Съществува опасност да ги глътнат и да се задушат!**

- Акумулаторен пробивен винтоверт
- Зарядно устройство
- Акумулатор
- Оригинална работна инструкция



## 4. Употреба по предназначение

Акумулаторният пробивен винтоверт е подходящ за завинтване и отвинтване на винтове, както и за пробиване в дърво, метал и пластмаса.

Машината трябва да се използва само по предназначението ѝ. Всяка по-нататъшна извън това употреба не е по предназначение. За предизвикани от това щети или наранявания от всякакъв вид отговорност носи потребителят/обслужващото лице, а не производителят.

Моля, имайте предвид, че нашите уреди съгласно предназначението си не са произведени за промишлена, занаятчийска или индустриална употреба. Ние не поемаме отговорност, ако уредът се използва в промишлени, занаятчийски или индустриални предприятия, както и при равностойни дейности.

## 5. Технически данни

Захранване на напрежение  
двигател: ..... 10,8 V d.c.  
Обороти на празен ход: . 0-300/0-1050 мин<sup>-1</sup>  
Степени на въртящ момент: ..... 17+1 степенно  
Десен - ляв ход: ..... да  
Широчина на отвор патронник  
за свредло: ..... 1-10 мм  
Акумулатор-тип: ..... литиево-йонен  
Капацитет на акумулатора: ..... 1,3 Ah  
Брой клетки: ..... 3  
Напрежение при зареждане  
на акумулатор: ..... 10,8 V d.c.  
Заряден ток на акумулатор: ..... 1500 mA  
Мрежово линейно напрежение  
на зарядно устройство: ..... 100-240 V~ 50 Hz  
Тегло: ..... 1,0 кг  
Макс. диаметър на винтовете: ..... 6 мм

## Шум и вибрация

Стойностите за шум и вибрация са получени съгласно EN 60745.

Ниво на звуково налягане  $L_{pA}$  ..... 65,3 dB (A)  
Колебание  $K_{pA}$  ..... 3 dB  
Ниво на звукова мощност  $L_{WA}$  ..... 76,3 dB (A)  
Колебание  $K_{WA}$  ..... 3 dB

## Носете защита за слуха.

Влиянието на шума може да причини загуба на слуха.

Общите стойности на трептения (векторна сума на трите посоки) получени съгласно EN 60745.

## Пробиване в метал

Стойност на емисия на трептения  $a_h < 2,5 \text{ m/c}^2$   
Колебание  $K = 1,5 \text{ m/c}^2$

## Безударно завинтване

Стойност на емисия на трептения  $a_h < 2,5 \text{ m/c}^2$   
Колебание  $K = 1,5 \text{ m/c}^2$

## Внимание!

Посочената стойност на излъчвани вибрации е измерена по нормиран контролен метод и в зависимост от начина, по който се използва електрическият инструмент, може да се променя, а в изключителни случаи може да превишава посочената стойност.

Посочената стойност на излъчвани вибрации може да се използва за сравнение на един електрически инструмент с друг.

Посочената стойност на излъчвани вибрации може да се използва също за начална оценка на отрицателно влияние.

Необходимо е да се определят мерки по техника на безопасност с цел предпазването на обслужващото лице, които да се позовават на преценката относно излагането по време на фактическите условия на ползване (в тази връзка следва да се съблюдават всички части на производствения цикъл, например времето,

през което електроинструментът е изключен, и това, през което действително е включен, но не работи без натоварване).

### **Ограничете образуването на шум и вибрацията до минимум!**

- Използвайте само безупречно функциониращи уреди.
- Поддържайте и почиствайте уреда редовно.
- Пригответе начина си на работа спрямо уреда.
- Не претоварвайте уреда.
- Носете уреда при необходимост за проверка.
- Изключвайте уреда, ако не се използва.
- Носете ръкавици.

### **Остатъчни рискове**

**Дори ако обслужвате този електрически инструмент съгласно предписанията, винаги съществуват остатъчни рискове. Могат да възникнат следните опасности във връзка с конструкцията и изпълнението на този електрически инструмент:**

1. Увреждане на белите дробове, ако не се носи подходяща защитна маска против прах.
2. Увреждане на слуха, ако не се носи подходяща слухова защита.
3. Увреждания на здравето, резултиращи от вибрациите върху ръката, ако уредът се използва продължително време и не се води и поддържа както трябва.

## **6. Преди пускане в експлоатация**

Преди пускането в експлоатация на Вашия акумулаторен винтоверт задължително прочетете тези указания:

1. Зареждайте акумулатора само с доставеното зарядно устройство. Един празен акумулатор е зареден след ок. един час.
2. Използвайте само остри винтоверти, както и безупречни и подходящи битове за винтоверт.
3. При пробиване и завинтване в стени и зидове проверявайте същите за скрити токопроводници, газо- и водопроводи.

## **7. Обслужване**

### **7.1 Зареждане на литиевия акумулатор (изобр. 2-3)**

Акумулаторът е защитен срещу дълбоко разреждане. Вградена схема за защита автоматично изключва уреда, когато акумулаторът е изпразнен. Бит-държачът не се върти повече в този случай.

**Предупреждение!** Не задействайте повече вкл-/изключвателя, когато схемата за защита е изключила уреда. Това може да доведе до повреда по акумулатора.

1. Извадете акумулатора (5) от ръкохватката, при което натиснете бутона за блокировка (6) на лявата и дясната страна.
2. Сравнете дали посоченото върху фирмената табелка с данни мрежово линейно напрежение съвпада с наличното мрежово линейно напрежение. Включете мрежовия щекер на зарядното устройство (11) в контакта. Зеленият светодиод започва да мига.
3. Поставете акумулатора (5) в зарядното устройство (11).
4. Под точка 10 (индикация на зарядно устройство) ще намерите таблица с значенията на светодиодната индикация върху зарядното устройство.



Ако зареждането на акумулатора не е възможно, моля, проверете

- дали в контакта е налице мрежовото линейно напрежение.
- дали е налице безупречен контакт в контактите за зареждане на зарядното устройство (11).

Ако зареждането на акумулатора все още не е възможно, то Ви молим да изпратите

- зарядното устройство и зарядния адаптер
- и акумулатора

в нашата сервизна служба.

В интерес на един дълъг срок на експлоатация на акумулатора следва да се погрижете за своевременното повторно зареждане на литиевия акумулатор. Това във всеки случай е необходимо, ако установите, че мощността на акумулаторния винтоверт намалява.

### **7.2 Настройка на въртящ момент (изобр. 4/поз. 1)**

Акумулаторният винтоверт е оборудван с механична настройка за въртящ момент.

Въртящият момент за определена големина на винта се настройва в регулиращия пръстен (1). Въртящият момент зависи от няколко фактора:

- от вида и твърдостта на материала за обработка.
- от вида и дължината на използваните винтове.
- от изискванията, които се поставят по отношение на винтовото съединение.

Достигането на въртящия момент се сигнализира посредством прозвучаващо изключване на съединителя.

**Внимание! Настройвайте регулиращия пръстен за въртящ момент само в състояние на покой на уреда.**

### **7.3 Пробиване (изобр. 4/поз. 1)**

За пробиването поставете регулиращия пръстен за въртящ момент на последната степен „Свредло“. В степен пробиване плъзгащият съединител се намира извън експлоатация. При пробиването е наличен максималният въртящ момент.

### **7.4 Превключване скорост 1 - скорост 2 (изобр. 4/поз. 2)**

Според положението на превключвателя можете да работите с по-високи или по-ниски обороти. За да се избегне повреда на предавката, то превключването на скоростите трябва да се комутира само в състояние на покой.

### **7.5 Индикация за капацитета на акумулатора (изобр. 4/поз. 3)**

Натиснете върху бутона за индикация капацитета на акумулатора (а). Индикацията за капацитета на акумулатора (3) Ви сигнализира за състоянието на зареждане на акумулатора с помощта на 3 цветни светодиода.

### **7.6 Превключвател за посоката на въртене (изобр. 5/поз. 4)**

С помощта на шибърния превключвател над вкл/изключвателя можете да настройвате посоката на въртене на акумулаторния винтоверт и да обезопасите акумулаторния винтоверт срещу неволно включване. Можете да избирате между ляв и десен ход. За да се избегне повреда на предавката, посоката на въртене трябва да се превключва само в състояние на покой. Ако шибърният превключвател се намира в средно положение, то вкл/изключвателят е блокиран.

### **7.7 Вкл/изключвател (изобр. 5/поз. 7)**

С помощта на вкл/изключвателя можете безстепенно да управлявате оборотите. Колкото повече натискате превключвателя, толкова по-големи са оборотите на акумулаторния винтоверт.



### 7.8 Светодиодна светлина (изобр. 5/поз. 8)

Светодиодната светлина (8) дава възможност за осветяване на мястото на завинтване респ. пробиване при неблагоприятни условия на осветеност. Светодиодната светлина (8) светва автоматично, щом като натиснете вкл-/изключвателя (7).

### 7.9 Смяна на инструмент (изобр. 6)

**Внимание!** При всякакви работи (напр. смяна на инструмент; поддръжка и т.н.) по акумулаторния винтоверт поставяйте превключвателя за посоката на въртене (4) в средно положение.

- Акумулаторният винтоверт е снабден с бързозатягащ патронник за свредло (10) с автоматично фиксиране на винта.
- Развийте патронника за свредло (10). Отворът на патронника за свредло (b) трябва да е достатъчно голям, за да поеме инструмента (свредло респ. бит на винтоверт).
- Изберете подходящия инструмент. Прибутайте инструмента доколкото е възможно в отвора на патронника за свредло (b).
- Завийте здраво патронника за свредло (10) и проверете след това стабилния стоеж на инструмента.

### 7.10 Винтове

Използвайте най-добре винтове със самоцентриране (напр. торкс, кръстообразно гнездо), които да гарантират безопасната работа. Обърнете внимание на това, използваният бит и винтът да съвпадат по форма и големина. Извършете настройката на въртящия момент съобразно големината на винта, както е описано в ръководството.

### 7.11 Вграден магнитен бит-държач (изобр. 7-8)

Акумулаторният пробивен винтоверт притежава вграден магнитен бит-държач (9) за 1/4 клетка (6,35 мм) бит-вложки.

За да се използва същия, извадете бързозатягателния патронник за свредло (10), като натиснете задната втулка на патронника за свредло (c) в посока патронника за свредло.

Сега можете да поставите подходяща бит-вложка във вградения магнитен бит-държач (9).

За да монтирате отново патронника за свредло, го поставете върху бит-държача и го завъртете леко, докато същият напълно може да се избута. Фиксирайте патронника за свредло, като прибутите втулката на патронника за свредло (c) в посока уреда.

## 8. Почистване, поддръжка и поръчка на резервни части

Преди всички дейности по почистване издърпвайте щепсела.

### 8.1 Почистване

- По възможност поддържайте защитните устройства, вентилационните прорези и корпуса на двигателя без прах и замърсявания. Почистете уреда с чиста кърпа или го обдухайте със съгъстен въздух при ниско налягане.
- Препоръчваме Ви да почиствате уреда директно след всяка употреба.
- Почиствайте уреда редовно с влажна кърпа и малко калиев сапун. Не използвайте почистващи препарати или разтворители; те могат да разядат пластмасовите части по уреда. Внимавайте за това във вътрешността на уреда да не попадне вода.

## 8.2 Поддръжка

Във вътрешността на уреда няма други части, които изискват поддръжка.



Само за страни от ЕС

## 8.3 Поръчка на резервни части:

При поръчката на резервни части трябва да се посочат следните данни:

- Тип уред
- Артикулен номер на уред
- Идентификационен номер на уред

Актуални цени и информация ще откриете на [www.isc-gmbh.info](http://www.isc-gmbh.info)

Не изхвърляйте електроинструментите при битовите отпадъци!

Съгласно Европейската директива 2002/96/ЕО за електрически и електронни стари уреди и прилагането в националното право употребените електроинструменти трябва да се събират отделно и да се доставят за екологична повторна употреба.

## 9. Извозване и повторна употреба

Уредът се намира в опаковка, за да се предотвратят щети при транспортирането. Тази опаковка представлява суровина и следователно може да се използва повторно или да се върне към цикъла за повторна преработка на суровините. Уредът и неговите части са съставени от различни материали, като например метал и пластмаси. Изхвърлете дефектните монтажни части за екологосъобразно отстраняване на отровни отпадъци. Осведомете се в специализиран магазин или в общинската администрация!

Алтернатива за рециклиране по отношение на призива за връщане:

Собственикът на електроуредата вместо връщане алтернативно с цел съдействие е задължен по отношение на целесъобразното оползотворяване в случай на отказ от собственост. Старият уред за целта също така може да се предостави в пункт за обратно вземане, където се извършва отстраняване по смисъла на националните закони за събирането, извозването, складирането и рециклирането на отпадъци. Това не засяга приложените към старите уреди отделни части от принадлежностите и помощни средства без електрически компоненти.

## 10. Индикация на зарядното устройство

| Статус на индикация |                 | Значение и мярка   |
|---------------------|-----------------|--|
| Статус на индикация | Зелен светодиод |  |
| Изкл                | Мига            | <b>Готовност за експлоатация</b><br>Зарядното устройство е свързано в мрежата и е готово за експлоатация, акумулаторът не е наличен в зарядното устройство   |
| Вкл                 | Изкл            | <b>Зареждане</b><br>Зарядното устройство зарежда акумулатора в режим на бързо зареждане.   |
| Изкл                | Вкл             | Акумулаторът е напълно зареден (процесът на зареждане е приключил)<br><b>Мярка за предприемане:</b><br>Извадете акумулатора от зарядното устройство. Отделете зарядното устройство от мрежата.   |
| Мига                | Мига            | <b>Грешка</b><br>Процесът на зареждане повече не е възможен. Акумулаторът е дефектен.<br><b>Мярка за предприемане:</b><br>Един дефектен акумулатор не трябва да се зарежда повече. Извадете акумулатора от зарядното устройство.                   |
| Вкл                 | Вкл             | <b>Температурни смущения</b><br>Акумулаторът е твърде горещ (напр. директно слънчево облъчване) или твърде студен (под 0 °C).<br><b>Мярка за предприемане:</b><br>Извадете акумулатора и го съхранявайте 1 ден при стайна температура (ок. 20 °C). |

## 11. Декларация за съответствие

**Einhell Germany AG · Wiesenweg 22 · D-94405 Landau/Isar**



### Konformitätserklärung

|  |   |
|--|---|
| <b>D</b> erklärt folgende Konformität gemäß EU-Richtlinie und Normen für Artikel                           | <b>PL</b> deklaruje zgodność wymienionego poniżej artykułu z następującymi normami na podstawie dyrektywy WE. |
| <b>GB</b> explains the following conformity according to EU directives and norms for the following product | <b>BG</b> декларира съответното съответствие съгласно Директива на ЕС и норми за артикул                      |
| <b>F</b> déclare la conformité suivante selon la directive CE et les normes concernant l'article           | <b>LV</b> paskaidro šādu atbilstību ES direktīvai un standartiem  |
| <b>I</b> dichiara la seguente conformità secondo la direttiva UE e le norme per l'articolo                 | <b>LT</b> apibūdina šį atitikimą EU reikalavimams ir prekės normoms   |
| <b>NL</b> verklaart de volgende overeenstemming conform EU richtlijn en normen voor het product            | <b>RO</b> declară următoarea conformitate conform directivei UE și normelor pentru articolul                  |
| <b>E</b> declara la siguiente conformidad a tenor de la directiva y normas de la UE para el artículo       | <b>GR</b> δηλώνει την ακόλουθη συμμόρφωση σύμφωνα με την Οδηγία ΕΚ και τα πρότυπα για το προϊόν               |
| <b>P</b> declara a seguinte conformidade, de acordo com a directiva CE e normas para o artigo              | <b>HR</b> potvrđuje sljedeću usklađenost prema smjernicama EU i normama za artikl                             |
| <b>DK</b> attesterer følgende overensstemmelse i medfør af EU-direktiv samt standarder for artikel         | <b>IS</b> ljávara um samræmi við EU-áttáráttir og annarri staðla vöru   |
| <b>S</b> förklarar följande överensstämmelse enl. EU-direktiv och standarder för artikeln                  | <b>RS</b> potvrđuje sledeću usklađenost prema smernicama EZ i normama za artikl                               |
| <b>FIN</b> vakuuttaa, että tuote täyttää EU-direktiivin ja standardien vaatimukset                         | <b>RUS</b> следующим удостоверяется, что следующие продукты соответствуют директивам и нормам ЕС              |
| <b>EE</b> tõendab toote vastavust EL direktiivile ja standarditele   | <b>UKR</b> проголошує про зазначену нижче відповідність виробу директивам та стандартам ЄС на виріб           |
| <b>CZ</b> vydává následující prohlášení o shodě podle směrnice EU a norem pro výrobek                      | <b>MK</b> ja izjavuva slednata soobraznost soglasno EU-direktivata i normite za artikli                       |
| <b>SLO</b> potrjuje sledečo skladnost s smernico EU in standardi za izdelek                                | <b>TR</b> Ürünü ile ilgili AB direktifleri ve normları gereğince aşağıda açıklanan uygunluğu belirtir         |
| <b>SK</b> vydáva nasledujúce prehlásenie o zhode podľa smernice EÚ a noriem pre výrobok                    | <b>N</b> erklærer følgende samsvar i henhold til EU-direktivet og standarder for artikkel                     |
| <b>H</b> a kijelentem az EU-irányvonal és Normák szerint a következő konformitást jelenti ki               |   |

### Akku-Boherschrauber PABSW 10.8 A1/Ladegerät LG PABSW 10.8 A1 (Parkside)

- |   |   |
|---|---|
| <input type="checkbox"/> 87/404/EC_2009/105/EC  | <input checked="" type="checkbox"/> 2006/42/EC                                |
| <input type="checkbox"/> 2005/32/EC_2009/125/EC | <input type="checkbox"/> Annex IV   |
| <input type="checkbox"/> 2006/95/EC             | Notified Body:  |
| <input type="checkbox"/> 2006/28/EC             | Notified Body No.:  |
| <input checked="" type="checkbox"/> 2004/108/EC | Reg. No.:   |
| <input type="checkbox"/> 2004/22/EC             | <input type="checkbox"/> 2000/14/EC_2005/88/EC                                |
| <input type="checkbox"/> 1999/5/EC              | <input type="checkbox"/> Annex V  |
| <input type="checkbox"/> 97/23/EC               | <input type="checkbox"/> Annex VI   |
| <input type="checkbox"/> 90/396/EC_2009/142/EC  | Noise measured: L <sub>WA</sub> = dB (A); guaranteed L <sub>WA</sub> = dB (A) |
| <input type="checkbox"/> 89/686/EC_96/58/EC     | P = KW; L/D = cm  |
| <input checked="" type="checkbox"/> 2011/65/EC  | Notified Body:  |
|   | <input type="checkbox"/> 2006/28/EC   |
|   | Emission No.:   |

**Standard references: EN 60745-1; EN 60745-2-1; EN 60745-2-2; EN 55014-1; EN 55014-2; EN 61000-3-2; EN 61000-3-3; EN 60335-1; EN 60335-2-29**

Landau/Isar, den 20.09.2012

Weichselgartner/General-Manager

Unger/Product-Management

First CE: 12  
Art.-No.: 45.136.46 I.-No.: 11012  
Subject to change without notice

Archive-File/Record: NAPR005201  
Documents registrar: Georg Riedel  
Wiesenweg 22, D-94405 Landau/Isar

## 12. Гаранционен документ

Уважаеми клиенти,

нашите продукти подлежат на строг качествен контрол. В случай, че въпреки това в даден момент този уред не работи безупречно, изказваме съжалението си и Ви молим, да се обърнете към нашата сервизна служба на посочения на тази гаранционна карта адрес. С удоволствие сме на Ваше разположение и по телефона на посочения телефонен номер в сервиза. За предявяването на претенциите по отношение на гаранцията е в сила следното:

1. Тези гаранционни условия уреждат допълнителни гаранционни услуги. Вашите законни права при недостатъци на престацията не биват засегнати от тази гаранция. Нашата гаранционна услуга е безплатна за Вас.
2. Гаранционната услуга се разпростира изключително върху дефекти, които се дължат на дефекти в суровината или производствени дефекти и се ограничава до отстраняване на тези дефекти, респ. до подмяна на уреда. Моля, обърнете внимание на това, че нашите уреди съгласно предназначението не са конструирани за промишлена, занаятчийска или индустриална употреба. Гаранционен договор при това не се сключва, когато уредът се използва в промишлени, занаятчийски или индустриални предприятия, както и при равностойни на тях дейности. От нашата гаранция се изключват също така допълнителни услуги за транспортни щети, щети поради не съблюдаване на упътването за монтажа или въз основа на не прецизна инсталация, не съблюдаване на упътването за употреба (като напр. поради свързване към неподходящо електрическо напрежение или вид ток), груби или неподходящи за целта приложения (като напр. претоварване на уреда или използване на не позволени инструменти за употреба или оборудване), не спазване на разпоредбите за поддръжка и безопасност, навлизане на чужди тела в уреда (като напр. пясък, камъни или прах), употреба на сила или чужди намеси (като напр. щети, получени чрез падане) както и поради обичайното изхабяване при употребата. Това важи по-специално за акумулатори, за които въпреки това осигуряваме гаранционен срок от 12 месеца. Правото за гаранция изтича, когато по уреда вече са били извършени намеси.
3. Гаранционният период е 3 години и започва от датата на покупка на уреда. Гаранционните права трябва да се предявят преди изтичане на гаранционния период в рамките на две седмици, след като сте открили дефекта. Предявяването на гаранционните права след изтичане на гаранционния период е изключено. Поправката или подмяната на уреда не води до удължаване на гаранционния период, както и с тази услуга за уреда или за евентуални монтирани резервни части не започва нов гаранционен период. Това важи също и при използване на сервизни услуги на място.
4. За предявяването на Вашето гаранционно право, моля, изпратете дефектния уред на посочения по-долу адрес без заплащане на пощенска такса. Приложете квитанцията в оригинал или друг удостоверяващ покупката документ с дата. Моля, затова пазете добре касовия бон като доказателство! Моля, опишете ни причината за рекламацията възможно най-точно. Ако дефектът на уреда е включен в нашата гаранционна услуга, веднага ще получите обратно поправен или нов уред.

Разбира се, в замяна на възстановяването на разходите ние с удоволствие отстраняваме също и дефекти по уреда, които не са или вече не са включени в обхвата на гаранцията. За целта, моля, изпратете уреда на нашия адрес в сервиза.

**Einhell Bulgaria LTD**  
Blvd. Tzar Osvoboditel 331.  
BG-9000 Varna  
Tel. 00359 52 731 373  
service@einhell.bg

IAN 86583





## Περιεχόμενα

|   |    |
|---|----|
| 1. Εισαγωγή.....  | 51 |
| 2. Υπόδειξεις ασφαλείας .....                               | 51 |
| 3. Περιγραφή της συσκευής και συμπαραδιδόμενα .....         | 57 |
| 4. Σωστή χρήση.....   | 57 |
| 5. Τεχνικά χαρακτηριστικά .....                             | 57 |
| 6. Πριν τη θέση σε λειτουργία .....                         | 59 |
| 7. Χειρισμός.....   | 59 |
| 8. Καθαρισμός, συντήρηση και παραγγελία ανταλλακτικών ..... | 61 |
| 9. Διάθεση στα απορρίμματα και επαναχρησιμοποίηση.....      | 62 |
| 10. Ένδειξη φορτιστή.....                                   | 63 |
| 11. Δήλωση Συμμόρφωσης.....                                 | 64 |
| 12. Εγγύηση .....   | 65 |

Η ανατύπωση ή οποιαδήποτε άλλης μορφής αναπαραγωγή της τεκμηρίωσης ή άλλων δικαιολογητικών που αναφέρονται στα προϊόντα, ακόμη και αποσπασματικά, επιτρέπεται μόνο με ρητή συγκατάθεση της iSC GmbH.

Με επιφύλαξη τεχνικών τροποποιήσεων



GR/CY



Προειδοποίηση – Για τη μείωση του κινδύνου τραυματισμού διαβάστε την Οδηγία χρήσης



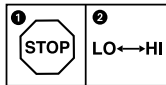
**Να χρησιμοποιείτε ωτοασπίδες.** Η επίδραση του θορύβου μπορεί να προκαλέσει την απώλεια της ακοής.



**Να χρησιμοποιείτε μάσκα προστασίας από σκόνη.** Κατά την επεξεργασία ξύλου και άλλων υλικών δεν αποκλείεται η δημιουργία επιβλαβούς για την υγεία σκόνης. Δεν επιτρέπεται η επεξεργασία υλικών που περιέχουν αμιάντο!



**Να φοράτε οπωσδήποτε προστατευτικά γυαλιά.** Οι σπινθήρες που δημιουργούνται κατά την εργασία ή τα εκσφενδονιζόμενα κομμάτια, ροκανίδια και σκόνες μπορούν να προκαλέσουν απώλεια της όρασης.



Προς αποφυγή βλάβης του κιβωτίου ταχυτήτων, η αλλαγή ταχυτήτων να γίνεται μόνο στην ακινητοποίηση.

## 1. Εισαγωγή

Συγχαρητήρια για την αγορά της νέας συσκευής σας.

Προτιμήσατε να αγοράσετε ένα προϊόν ανώτερης ποιότητας. Οι οδηγίες χρήσης αποτελούν αναπόσπαστο μέρος αυτού του προϊόντος. Περιέχουν σημαντικές υποδείξεις για την ασφάλεια, τη χρήση και διάθεση της συσκευής. Πριν τη χρήση του προϊόντος να εξοικειωθείτε με όλες τις οδηγίες χειρισμού και τις υποδείξεις ασφαλείας. Να χρησιμοποιείτε το προϊόν μόνο όπως περιγράφεται και μόνο για τον αναφερόμενο σκοπό. Να παραδώσετε όλες τις οδηγίες και υποδείξεις μαζί με το προϊόν εάν το δώσετε σε τρίτα πρόσωπα.

## 2. Υποδείξεις ασφαλείας

### ⚠ Προσοχή!

**Διαβάστε όλες τις Υποδείξεις ασφαλείας και τις Οδηγίες.** Εάν δεν ακολουθήσετε τις Υποδείξεις ασφαλείας και τις Οδηγίες δεν αποκλείονται ηλεκτροπληξία, πυρκαγιά και/ή σοβαροί τραυματισμοί. **Φυλάξτε προσεκτικά όλες τις Υποδείξεις ασφαλείας και τις Οδηγίες για το μέλλον.**

Ο όρος „ηλεκτρικό εργαλείο“ που χρησιμοποιείται σε αυτές τις Υποδείξεις ασφαλείας αναφέρεται σε εργαλεία που λειτουργούν με ρεύμα (με καλώδιο) και σε εργαλεία που λειτουργούν με μπαταρία (χωρίς καλώδιο).

### 1. Ασφάλεια στη θέση εργασίας

- a) **Να διατηρείτε τη θέση εργασίας σας καθαρή και καλά φωτισμένη.** Σε όχι τακτικούς ή όχι καλά φωτισμένους χώρους εργασίας δημιουργούνται ατυχήματα.
- b) **Μην εργάζεστε με το ηλεκτρικό εργαλείο σε εκρηκτικό περιβάλλον, στο οποίο βρίσκονται εύφλεκτα υγρά, αέρια ή σκόνες.** Τα ηλεκτρικά

εργαλεία παράγουν σπινθήρες που μπορούν να αναφλέξουν τη σκόνη και τους ατμούς.

- c) **Να κρατάτε μακριά τα παιδιά και άλλα άτομα κατά τη διάρκεια χρήσης του ηλεκτρικού εργαλείου.** Εάν δεν είστε καλά συγκεντρωμένοι, δεν αποκλείεται να χάσετε τον έλεγχο επί της συσκευής.

### 2. Ηλεκτρική ασφάλεια

- a) **Το βύσμα σύνδεσης της συσκευής με το δίκτυο πρέπει να ταιριάζει στην πρίζα. Δεν επιτρέπεται καμία τροποποίηση του βύσματος. Μη χρησιμοποιείτε προσαρμογές βυσμάτων μαζί με γειωμένες ηλεκτρικές συσκευές.** Όταν δεν έχουν αλλάξει τα βύσματα και όταν χρησιμοποιείτε κατάλληλες πρίζες, μειώνεται ο κίνδυνος ηλεκτροπληξίας.
- b) **Να αποφεύγετε την σωματική επαφή με γειωμένες επιφάνειες όπως τις γειωμένες επιφάνειες σωλήνων, θερμάνσεων, εστιών και ψυγείων.** Υπάρχει ιδιαίτερος κίνδυνος ηλεκτροπληξίας, όταν το σώμα σας είναι γειωμένο.
- c) **Να κρατάτε τα ηλεκτρικά εργαλεία μακριά από βροχή και υγρασία.** Η διείσδυση νερού σε ηλεκτρική συσκευή αυξάνει τον κίνδυνο ηλεκτροπληξίας.
- d) **Μη μεταφέρετε το ηλεκτρικό εργαλείο κρατώντας το από το καλώδιο, μη κρεμάτε τη συσκευή από το καλώδιο και μη χρησιμοποιείτε το καλώδιο για να τραβήξετε το βύσμα από την πρίζα. Να προστατεύετε το καλώδιο από ψηλές θερμοκρασίες, λάδι, αιχμηρές άκρες και κινούμενα τμήματα της συσκευής.** Τα ελαττωματικά ή μπερδεμένα καλώδια αυξάνουν τον κίνδυνο ηλεκτροπληξίας.
- e) **Εάν εργάζεστε με ένα ηλεκτρικό εργαλείο στο ύπαιθρο, να χρησιμοποιείτε μόνο μπαλαντέζες που είναι κατάλληλες για το**

**ύπαιθρο.** Η χρήση μίας μπαλαντέζας κατάλληλης για το ύπαιθρο μειώνει τον κίνδυνο ηλεκτροπληξίας.

- f) **Εάν δεν μπορείτε να αποφύγετε τη λειτουργία ηλεκτρικών συσκευών σε υγρό περιβάλλον, να χρησιμοποιείτε διακόπτη ασφαλείας.** Η χρήση ενός διακόπτη ασφαλείας μειώνει τον κίνδυνο ηλεκτροπληξίας.

### 3. Ασφάλεια ατόμων

- a) **Να είστε προσεκτικοί, να προσέχετε τί κανετε, και να εργάζεστε συνετά με το ηλεκτρικό εργαλείο.** Μη χρησιμοποιείτε τη συσκευή όταν είστε κουρασμένοι ή υπό την επήρεια ναρκωτικών, οινοπνευματωδών ποτών ή φαρμάκων. Μόνο μία στιγμή απροσεξίας κατά τη χρήση του ηλεκτρικού εργαλείου μπορεί να προκαλέσει σοβαρούς τραυματισμούς.
- b) **Να χρησιμοποιείτε τα μέσα ατομικής προστασίας και πάντα προστατευτικά γυαλιά.** Η χρήση των μέσων ατομικής προστασίας όπως μάσκα κατά σκόνης, αντιολισθητικά υποδήματα, προστατευτικό κράνος και ωτοπροστασία, ανάλογα με τη χρήση του ηλεκτρικού εργαλείου, μειώνει τον κίνδυνο τραυματισμών.
- c) **Να αποφεύγετε την αθέλητη θέση σε λειτουργία. Σιγουρευτείτε πως το ηλεκτρικό εργαλείο είναι απενεργοποιημένο πριν το συνδέσετε με την παροχή ρεύματος και/ή συνδέστε το συσσωρευτή, πριν το σηκώσετε και πριν το μεταφέρετε.** Εάν κατά την μεταφορά του ηλεκτρικού εργαλείου έχετε το χέρι σας στον διακόπτη ή η συσκευή είναι ενεργοποιημένη όταν τη συνδέσετε με την παροχή ρεύματος, δεν αποκλείονται ατυχήματα.
- d) **Πριν ενεργοποιήσετε τα ηλεκτρικά εργαλεία ή κατσαβίδια να αφαιρέσετε ενδεχόμενα εργαλεία**

**ρύθμισης ή κλειδιά.** Ένα εργαλείο ρύθμισης ή κλειδί που βρίσκεται στο περιστρεφόμενο τμήμα της συσκευής, μπορεί να οδηγήσει σε τραυματισμούς.

- e) **Να αποφεύγετε τη μη φυσιολογική στάση του σώματος. Φροντίστε να στέκεστε σταθερά και να κρατάτε πάντα την ισορροπία σας.** Έτσι μπορείτε να ελέγχετε το ηλεκτρικό εργαλείο ακόμη και σε απρόοπτες περιστάσεις.

- f) **Να φοράτε πάντα τον κατάλληλο ρουχισμό εργασίας. Μη φοράτε φαρδιά ρούχα ή κοσμήματα. Να κρατάτε τα μαλλιά, τα ρούχα και τα γάντια μακριά από κινούμενα εξαρτήματα.** Τα φαρδιά ρούχα, τα κοσμήματα ή τα μακριά μαλλιά θα μπορούσαν να πιαστούν από τα κινούμενα εξαρτήματα.

- g) **Εάν είναι δυνατόν να συνδεθούν συστήματα αναρρόφησης ή συλλογής της σκόνης, σιγουρευθείτε πως έχουν συνδεθεί και χρησιμοποιούνται σωστά.** Η χρήση συστήματος αναρρόφησης της σκόνης μπορεί να μειώσει κινδύνους από σκόνη.

### 4. Χρήση και χειρισμός του ηλεκτρικού εργαλείου

- a) **Προσέξτε να μην υπερφορτώνετε τη συσκευή. Να χρησιμοποιείτε τα ηλεκτρικά εργαλεία που είναι κατάλληλα για την εργασία σας.** Με το κατάλληλο ηλεκτρικό εργαλείο εργάζεστε καλύτερα και ασφαλέστερα στο αναφερόμενο πεδίο ισχύος.
- b) **Μη χρησιμοποιείτε ηλεκτρικά εργαλεία, ο διακόπτης των οποίων είναι ελαττωματικός.** Ένα ηλεκτρικό εργαλείο που δεν μπορεί να ενεργοποιηθεί ή να απενεργοποιηθεί είναι επικίνδυνο και πρέπει να επισκευαστεί.
- c) **Βγάλτε το βύσμα από την πρίζα και/ή αφαιρέστε το συσσωρευτή προτού κάνετε τις ρυθμίσεις**

- στη συσκευή, πριν αλλάξετε εξαρτήματα ή πριν ακουμπήσετε κάπου τη συσκευή. Αυτό το μέτρο ασφαλείας εμποδίζει την αθέλητη εκκίνηση του ηλεκτρικού εργαλείου.
- d) **Να φυλάγετε το ηλεκτρικό αλυσοπρίονο, όταν δεν το χρησιμοποιείτε, μακριά από παιδιά. Μην αφήνετε να χρησιμοποιούν τη συσκευή άτομα που δεν είναι εξοικειωμένα μαζί της ή που δεν διάβασαν αυτές τις οδηγίες.** Τα ηλεκτρικά εργαλεία είναι επικίνδυνα, όταν χρησιμοποιούνται από άτομα χωρίς πείρα.
- e) **Να περιποιώστε προσεκτικά τα ηλεκτρικά εργαλεία. Ελέγξτε εάν λειτουργούν άψογα και δεν μπλοκάρουν όλα τα κινούμενα τμήματα ή εάν έχουν σπάσει εξαρτήματα ή ορισμένα τμήματα έχουν ζημιές που εμποδίζουν την άψογη λειτουργία του ηλεκτρικού εργαλείου. Δώστε να επισκευαστούν τα ελαττωματικά εξαρτήματα πριν χρησιμοποιήσετε τη συσκευή.** Πολλά ατυχήματα οφείλονται σε ηλεκτρικά εργαλεία που δεν έχουν συντηρηθεί σωστά.
- f) **Τα κοπτικά εξαρτήματα να διατηρούνται πάντα τροχισμένα και καθαρά.** Τα προσεγμένα κοπτικά εξαρτήματα με ακονισμένες λάμες δεν μπλοκάρουν εύκολα και κινούνται καλύτερα.
- g) **Να χρησιμοποιείτε τα ηλεκτρικά εργαλεία, τα εξαρτήματά τους κλπ. μόνο σύμφωνα με αυτές τις οδηγίες. Να λάβετε υπόψη σας τις συνθήκες εργασίας και το είδος της εργασίας σας.** Η χρήση του ηλεκτρικού εργαλείου για άλλες εργασίες εκτός αυτών για τις οποίες προορίζεται, μπορεί να προκαλέσει επικίνδυνες περιστάσεις.

#### 5. Χρήση και χειρισμός του εργαλείου με μπαταρία

- a) **Να φορτίζετε τις μπαταρίες μόνο με φορτιστές που συνιστώνται από τον κατασκευαστή.** Για ένα φορτιστή που προορίζεται μόνο για ένα είδος μπαταριών, υφίσταται κίνδυνος πυρκαγιάς όταν χρησιμοποιηθεί με άλλες μπαταρίες.
- b) **Να χρησιμοποιείτε μόνο τις κατάλληλες μπαταρίες για τα ηλεκτρικά εργαλεία.** Η χρήση άλλων μπαταριών μπορεί να προκαλέσει τραυματισμούς και κίνδυνο πυρκαγιάς.
- c) **Η μπαταρία που δεν χρησιμοποιείται να βρίσκεται μακριά από συνδετήρες, κέρματα, κλειδιά, καρφιά, βίδες ή άλλα μεταλλικά μικροαντικείμενα που θα μπορούσαν να προκαλέσουν γεφύρωση των επαφών.** Ένα ενδεχόμενο βραχυκύκλωμα μεταξύ των επαφών της μπαταρίας μπορεί να έχει σαν συνέπεια εγκαύματα ή φωτιά.
- d) **Σε περίπτωση εσφαλμένης χρήσης μπορεί να εξέλθει υγρό από τη μπαταρία. Να αποφεύγετε την επαφή με το υγρό αυτό. Σε περίπτωση αθέλητης επαφής, ξεπλύντε με νερό.** Εάν το υγρό πάει στα μάτια, συμβουλευθείτε και ένα γιατρό. Το εξερχόμενο υγρό από μπαταρία μπορεί να προκαλέσει δερματικούς ερεθισμούς ή και εγκαύματα.

#### 6. Σέρβις

- a) **Η επισκευή του ηλεκτρικού σας εργαλείου να εκτελείται μόνο από εξειδικευμένο προσωπικό και να χρησιμοποιούνται μόνο γνήσια ανταλλακτικά.** Έτσι εξασφαλίζεται η ασφάλεια του ηλεκτρικού σας εργαλείου.

**Να κρατάτε τη συσκευή μόνο στις μονωμένες λαβές όταν εκτελείτε εργασίες στις οποίες η βίδα ή το χρησιμοποιούμενο εργαλείο θα μπορούσε να κτυπήσει επάνω σε**

### κρυφά καλώδια ηλεκτρικού ρεύματος.

Η επαφή με αγωγό ρεύματος μπορεί να θέσει και τα μεταλλικά τμήματα της συσκευής υπό τάση και προκαλεί ηλεκτροπληξία.

### Ειδικές Υποδείξεις ασφαλείας

Προσέχουμε ιδιαίτερα την κατασκευή κάθε μπαταρίας, έτσι ώστε να παραδίδουμε στους πελάτες μας πάντα μπαταρίες με μέγιστη ενεργειακή πυκνότητα ροής, μεγάλη διάρκεια ζωής και ασφάλεια. Τα κύτταρα μπαταριών διαθέτουν περισσότερα συστήματα ασφαλείας. Κάθε κύτταρο διαμορφώνεται και κατόπιν καταγράφονται τα ηλεκτρικά χαρακτηριστικά. Αυτά τα στοιχεία χρησιμοποιούνται έπειτα για την καλύτερη ομαδοποίηση της μπαταρίας. **Παρ'όλα τα μέτρα ασφαλείας πρέπει να προσέχετε ιδιαίτερα κατά τον χειρισμό των μπαταριών. Για την ασφαλή χρήση πρέπει οπωσδήποτε να προσέξετε τα εξής.**

**Μία ασφαλής λειτουργία είναι δυνατή μόνο με ακέραια κύτταρα χωρίς ζημιές! Ένας λάθος χειρισμός έχει σαν συνέπεια την ζημιά στα κύτταρα Προσοχή!** Από αναλύσεις επιβεβαιώνεται ως κακή χρήση και εσφαλμένη περιποίηση αποτελούν την βασική αιτία για ζημιές των συσσωρευτών υψηλής ισχύος.

### Υποδείξεις για τη μπαταρία

- Η μπαταρία της συσκευής δεν είναι φορτισμένη κατά την παράδοση της συσκευής. Πριν την πρώτη χρήση πρέπει λοιπόν να φορτιστεί η μπαταρία. Να φορτίζετε συχνά τη μπαταρία σας.
- Συνιστάται η αποθήκευση της μπαταρίας σε δροσερό χώρο σε 15°C και τουλάχιστον κατά 40% φορτισμένη.
- Οι μπαταρίες με ιόντα λιθίου υπόκεινται σε φυσιολογική γήρανση.
- Το αργότερο όταν η απόδοση της μπαταρίας ανταποκρίνεται μόνον στα 80% της αρχικής, πρέπει να αντικατασταθεί. Τα αδυνατισμένα

κύτταρα σε γηρασμένη μπαταρία δεν μπορούν πλέον να ανταποκριθούν στις ψηλές απαιτήσεις και αποτελούν κίνδυνο.

- Ποτέ μην πετάτε παλιές μπαταρίες σε φωτιά. Κίνδυνος έκρηξης!
- Μην καίγετε μία μπαταρία ή μην την εκθέτετε σε καύση.
- **Μην εκφορτίζετε βαθιά τις μπαταρίες!** Η βαθιά εκφόρτιση ζημιώνει τα κύτταρα. Η συχνότερη αιτία για την βαθιά εκφόρτιση είναι ο μακρύς χρόνος αποθήκευσης ή μη χρήση βαθιά εκφορτισμένων μπαταριών. Να τερματίσετε την εργασία σας μόλις μειωθεί αισθητά η ισχύς ή ανταποκριθεί το ηλεκτρονικό σύστημα προστασίας. Να αποθηκεύετε τη μπαταρία μόνο μετά από πλήρη φόρτιση.
- **Να προστατεύετε τις μπαταρίες ή τη συσκευή από υπερφόρτωση!** Μία υπερφόρτωση οδηγεί γρήγορα σε υπερθέρμανση και ζημιά των κυττάρων στο εσωτερικό του περιβλήματος της μπαταρίας, χωρίς να γίνει εξωτερικά αισθητή η υπερθέρμανση.
- **Να αποφεύγετε ζημιές και κρούσεις!** Να αντικαθίσταται αμέσως μία μπαταρία που σας έπεσε από ύψος πάνω του μέτρου ή που εκτέθηκε σε δυνατές κρούσεις, ακόμη και αν το περίβλημα φαίνεται ακέραιο. Τα κύτταρα στο εσωτερικό μπορεί να έχουν πάθει σοβαρή ζημιά. Προσέξτε τις υποδείξεις απόρριψης.
- Σε περίπτωση υπερφόρτωσης ή υπερθέρμανσης το ενσωματωμένο σύστημα ασφαλείας απενεργοποιεί τη συσκευή για λόγους ασφαλείας. **Προσοχή!** Μην χειριστείτε πλέον τον διακόπτη ενεργοποίησης/ απενεργοποίησης όταν απενεργοποιήθηκε η συσκευή από το σύστημα ασφαλείας. Αυτό θα μπορούσε να προκαλέσει βλάβη του συσσωρευτή.
- Να χρησιμοποιείτε μόνο γνήσιες

μπαταρίες. Η χρήση άλλων μπαταριών μπορεί να προκαλέσει τραυματισμούς, έκρηξη και κίνδυνο πυρκαγιάς.

#### Υποδείξεις για το φορτιστή και τη φόρτιση

- Μη χρησιμοποιείτε το συμπαραδιδόμενο φορτιστή για τη φόρτιση μη επαναφορτιζόμενων μπαταριών.
- Προσέξτε τα στοιχεία που αναφέρονται στην πινακίδα του φορτιστικού. Να συνδέετε τη συσκευή μόνο στην τάση δικτύου που αναφέρεται στην πινακίδα με τα στοιχεία της συσκευής.
- Να προστατεύετε το φορτιστή και τον αγωγό από ζημιές και αιχμηρές γωνίες. Να αντικαθίστανται αμέσως από ηλεκτρολόγο τα ελαττωματικά καλώδια και τα βύσματα.
- Αυτός ο φορτιστής δεν προορίζεται για άτομα (συμπεριλαμβανομένων και παιδιών) με περιορισμένες σωματικές, αισθητικές ή πνευματικές ικανότητες ή ελλείψει πείρας ή/και ελλείψει γνώσεων, εκτός εάν επιτηρούνται από άτομο αρμόδιο για την ασφάλεια ή εάν έλαβαν οδηγίες για το πώς πρέπει να χρησιμοποιηθεί η συσκευή.
- Τα παιδιά να επιβλέπονται για να είναι σίγουρο πως δεν παίζουν με τη συσκευή.
- Μη χρησιμοποιείτε ελαττωματικούς φορτιστές.
- Μη χρησιμοποιείτε το συμπαραδιδόμενο φορτιστή για τη φόρτιση άλλων συσκευών.
- Σε περίπτωση εντατικής καταπόνησης θερμαίνεται η μπαταρία. Πριν την αρχή της φόρτισης αφήστε τη μπαταρία να πάρει τη θερμοκρασία δωματίου.
- **Μην υπερφορτίζετε τις μπαταρίες!** Προσέξτε τους μέγιστους χρόνους φόρτισης. Αυτοί οι χρόνοι ισχύουν μόνο για εκφορτισμένες μπαταρίες. Επανεπιλημμένη τοποθέτηση μίας φορτισμένης ή μερικώς φορτισμένης μπαταρίας συνεπάγεται την υπερφόρτιση

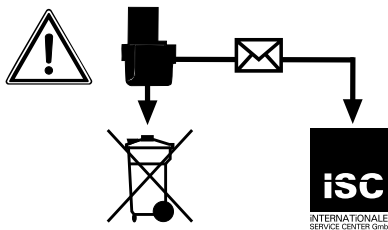
και ζημιά των κυττάρων. Μην αφήνετε τις μπαταρίες περισσότερες ημέρες στο φορτιστή.

- **Ποτέ μη χρησιμοποιείτε και μη φορτίζετε μπαταρίες για τις οποίες υποψιάζεστε πως η τελευταία φόρτιση έγινε πριν από 12 μήνες.** Η πιθανότητα είναι μεγάλη να έχει πάθει η μπαταρία ήδη σοβαρή ζημιά (βαθιά εκφόρτιση).
- Η φόρτιση σε θερμοκρασία κάτω των 10°C οδηγεί σε χημική ζημιά της μπαταρίας και ενδεχομένως σε πυρκαγιά.
- Μη χρησιμοποιείτε μπαταρίες που ζεστάθηκαν κατά τη διάρκεια της φόρτισης διότι τα κύτταρα μπορεί να έχουν υποστεί επικίνδυνη ζημιά.
- Μη χρησιμοποιείτε πλέον μπαταρίες που παραμορφώθηκαν κατά τη διάρκεια της φόρτισης ή που παρουσίασαν άλλα ασυνήθιστα συμπτώματα (αέρια, θορύβους,...)
- Μην εκφορτίζετε πλήρως τη μπαταρία σας (συνιστώμενο βάθος εκφόρτισης μέξιμουμ 80%). Η πλήρης εκφόρτιση συνεπάγεται την πρόωρη γήρανση των κυττάρων της μπαταρίας.
- Ποτέ μην φορτίζετε τις μπαταρίες χωρίς επιτήρηση!

#### Προστασία από περιβαλλοντολογικές επιδράσεις

- Να φοράτε πάντα τον κατάλληλο ρουχισμό εργασίας. Να φοράτε προστατευτικά γυαλιά.
- **Να προστατεύετε τη συσκευή σας και το φορτιστή από υγρασία και βροχή.** Η υγρασία και η βροχή μπορεί να οδηγήσουν σε επικίνδυνη ζημιά των κυττάρων.
- Μη χρησιμοποιείτε τη συσκευή και το φορτιστή κοντά σε ατμούς και εύφλεκτα υγρά.
- Να χρησιμοποιείτε το φορτιστή και τη συσκευή μόνο σε στεγνή κατάσταση και σε θερμοκρασία περιβάλλοντος 10 – 40°C.

- Μη φυλάγετε τη μπαταρία σε μέρος όπου η θερμοκρασία μπορεί να υπερβεί τους 40°C, ιδιαίτερα όχι σε αυτοκίνητο σταθμευμένο στον ήλιο.
- **Να προστατεύετε τις μπαταρίες από υπερθέρμανση!** Υπερφόρτωση, υπερφόρτιση ή ηλιακή ακτινοβολία οδηγεί σε υπερθέρμανση και βλάβη των κυττάρων. Μην φορτίζετε ποτέ και μην εργάζεστε με μπαταρίες που υπερθερμάνθηκαν – να αντικαθίστανται αμέσως.
- **Διατήρηση μπαταριών, φορτιστή και συσκευής μπαταρίας.** Να φυλάγετε τον φορτιστή και τη συσκευή σας που λειτουργεί με μπαταρία μόνο σε στεγνούς χώρους με θερμοκρασία περιβάλλοντος 10-40°C. Να φυλάγετε την μπαταρία σας σε δροσερό και στεγνό χώρο σε 10-20°C. Να προστατεύεται από υγρασία αέρα και άμεση ηλιακή ακτινοβολία! Να αποθηκεύετε τις μπαταρίες μόνο σε φορτισμένη κατάσταση (τουλάχιστον 40% φορτισμένη)
- Δεν επιτρέπεται η έκθεση της μπαταρίας ιόντων λιθίου σε θερμοκρασίες υπό το μηδέν. Οι μπαταρίες που αποθηκεύθηκαν πάνω από 60 λεπτά σε θερμοκρασίες κάτω από 0°C, πρέπει να απορριφθούν.
- Προσοχή με το χειρισμό των μπαταριών σε σχέση με ηλεκτροστατική φόρτιση: η ηλεκτροστατική προκαλεί ζημιές στο ηλεκτρονικό σύστημα προστασίας και στα κύτταρα της μπαταρίας! Για το λόγο αυτό να αποφεύγετε την ηλεκτροστατική φόρτιση και ποτέ να μην αγγίζετε τους πόλους της μπαταρίας!



Οι συσσωρευτές και οι ηλεκτρικές συσκευές που λειτουργούν με μπαταρίες, περιέχουν υλικά επικίνδυνα για το περιβάλλον. Μην πετάτε στα οικιακά απορρίμματα τις συσκευές με μπαταρίες. Αφού διαπιστώσετε ελάττωμα ή φθορά, αφαιρέστε τη μπαταρία και στείλτε τη συσκευή προς την iSC GmbH, Eschenstraße 6, D-94405 Landau, ή, εάν δεν χωρίζεται η μπαταρία από τη συσκευή, στείλτε ολόκληρη τη συσκευή με την μπαταρία της. Μόνο εκεί είναι εγγυημένη η σωστή απόσυρσή τους.

**Κατά την αποστολή ή απόρριψη μπαταριών ή συσκευών μπαταρίας προσέξτε να μπουν χωριστά σε πλαστικές σακούλες ώστε να αποφευχθεί ένα βραχυκύκλωμα ή πυρκαγιά!**

**Να φυλάξετε καλά αυτές τις Οδηγίες χρήσης.**





### 3. Περιγραφή της συσκευής και συμπαραδιδόμενα

#### 3.1 Περιγραφή της συσκευής (εικ. 1/8)

1. Ρύθμιση ροπής στρέψης
2. Διακόπτης αλλαγής από 1η σε 2η ταχύτητα
3. Ένδειξη δυναμικότητας μπαταρίας
4. Διακόπτης αλλαγής κατεύθυνσης
5. Συσσωρευτής (μπαταρία)
6. Πλήκτρο κουμπώματος
7. Διακόπτης ενεργοποίησης/ απενεργοποίησης
8. Φως LED
9. Ενσωματωμένη μαγνητική υποδοχή bit
10. Υποδοχή ταχείας σύσφιξης
11. Φορτιστής

#### 3.2 Συμπαραδιδόμενα

- Ανοίξτε τη συσκευασία και βγάλτε προσεκτικά τη συσκευή.
- Απομακρύντε τα υλικά συσκευασίας καθώς και τα συστήματα προστασίας της συσκευασίας / μεταφοράς (εάν υπάρχουν).
- Ελέγξτε εάν είναι πλήρες το περιεχόμενο.
- Ελέγξτε τη συσκευή και τα αξεσουάρ για ενδεχόμενες ζημιές από τη μεταφορά.
- Φυλάξτε τη συσκευασία αν γίνεται μέχρι την πάροδο της προθεσμίας της εγγύησης.

#### Προσοχή!

**Η συσκευή και τα υλικά συσκευασίας δεν είναι παιχνίδια! Τα παιδιά δεν επιτρέπεται να παίζουν με πλαστικές σακούλες, πλαστικές μεμβράνες και μικροαντικείμενα! Υφίσταται κίνδυνος κατάποσης και ασφυξίας!**

- Κατσαβίδι μπαταρίας
- Φορτιστής
- Συσσωρευτής
- Πρωτότυπες Οδηγίες χρήσης

### 4. Σωστή χρήση

Ο βιδωτής-τρυπάνι με συσσωρευτή προορίζεται για βίδωμα και ξεβίδωμα βιδών και για τρύπες σε ξύλο, μέταλλο και πλαστικό.

Η μηχανή επιτρέπεται να χρησιμοποιηθεί μόνο για τον σκοπό για τον οποίο προορίζεται. Κάθε πέραν τούτου χρήση δεν ανταποκρίνεται στο σκοπό για τον οποίο προορίζεται. Για βλάβες που οφείλονται σε παρόμοια χρήση ή για τραυματισμούς παντός είδους ευθύνεται ο χρήστης/χειριστής και όχι ο κατασκευαστής.

Παρακαλούμε να προσέξετε πως οι συσκευές μας δεν προορίζονται και δεν έχουν κατασκευαστεί για επαγγελματική, βιοτεχνική ή βιομηχανική χρήση. Δεν αναλαμβάνουμε εγγύηση σε περίπτωση κατά την οποία η συσκευή χρησιμοποιήθηκε σε συνεργεία, βιοτεχνίες ή στη βιομηχανία ή σε εργασίες παρόμοιες με αυτές.

### 5. Τεχνικά χαρακτηριστικά

Τροφοδοσία τάσης κινητήρα: .... 10,8 V d.c.  
Αριθμός στροφών  
ραλεντί: ..... 0-300/0-1050 min<sup>-1</sup>  
Βαθμίδες ροπής στρέψης: ... 17+ 1 βαθμίδα  
Δεξιόστροφη-αριστερόστροφη λειτουργία:  
ναι  
Εύρος της υποδοχής τρυπανιού: .. 1-10 mm  
Τύπος μπαταρίας: λιθίου-ιόντος  
Χωρητικότητα μπαταρίας: 1,3 Ah  
Αριθμός κυττάρων: 3

Τάση φόρτισης μπαταρίας: ..... 10,8 V d.c.  
Ρεύμα φόρτισης μπαταρίας: ..... 1500 mA  
Τάση δικτύου φορτιστή: .. 100-240V~ 50Hz  
Βάρος: ..... 1,0 kg  
Μέγ. Διάμετρος βίδας: ..... 6 mm

**Θόρυβος και δονήσεις**

Οι τιμές θορύβων και δονήσεων διαπιστώθηκαν σύμφωνα με το πρότυπο EN 60745.

Στάθμη ηχητικής πίεσης  $L_{pA}$  .....65,3 dB(A)  
 Αβεβαιότητα  $K_{pA}$  ..... 3 dB  
 Στάθμη ηχητικής ισχύος  $L_{WA}$  .....76,3 dB(A)  
 Αβεβαιότητα  $K_{WA}$  ..... 3 dB

**Να χρησιμοποιείτε ηχοπροστασία.**

Η επίδραση θορύβου μπορεί να έχει σαν συνέπεια την απώλεια της ακοής.

Συνολικές τιμές ταλαντώσεων (σύνολο διανυσμάτων τριών κατευθύνσεων) σύμφωνα με το πρότυπο EN 60745.

**Τρυπάνι σε μέταλλο**

Εκπομπή δονήσεων  $a_h < 2,5 \text{ m/s}^2$   
 Αβεβαιότητα  $K = 1,5 \text{ m/s}^2$

**Βίδωμα χωρίς κρούση**

Εκπομπή δονήσεων  $a_h < 2,5 \text{ m/s}^2$   
 Αβεβαιότητα  $K = 1,5 \text{ m/s}^2$

**Προσοχή!**

Η αναφερόμενη τιμή μετάδοσης δόνησης μετρήθηκε βάσει τυποποιημένης μεθόδου ελέγχου και μπορεί να μεταβληθεί ή και σε εξαιρετικές περιπτώσεις να κυμαίνεται άνω της αναφερόμενης τιμής, ανάλογα από τον τρόπο χρήσης του ηλεκτρικού εργαλείου.

Η αναφερόμενη μετάδοση δονήσεων μπορεί να χρησιμοποιηθεί και για σύγκριση με άλλο ηλεκτρικό εργαλείο.

Η αναφερόμενη τιμή μετάδοσης δόνησης μπορεί επίσης να χρησιμοποιηθεί και για αρχική εκτίμηση της έκθεσης.

Πρέπει να ορισθούν μέτρα ασφαλείας για την προστασία του χειριστή βασιζόμενα σε εκτίμηση της έκθεσης κατά τη διάρκεια των πραγματικών συνθηκών χρήσης (εδώ να ληφθούν υπόψη τα τμήματα του κύκλου

λειτουργίας, για παράδειγμα οι χρόνοι κατά τους οποίους είναι απενεργοποιημένο το ηλεκτρικό εργαλείο και οι χρόνοι κατά τους οποίους είναι μεν ενεργοποιημένο, αλλά λειτουργεί χωρίς φορτίο).

**Περιορίστε την δημιουργία θορύβου και τις δονήσεις στο ελάχιστο!**

- Να χρησιμοποιείτε μόνο συσκευές σε άψογη κατάσταση.
- Να συντηρείτε και να καθαρίζετε τακτικά τη συσκευή.
- Να προσαρμόζετε στη συσκευή τον τρόπο εργασίας σας.
- Προσέξτε να μην υπερφορτώνετε τη συσκευή.
- Αφήστε τη συσκευή νδεχομένως να ελεγχθεί από ειδικό τεχνίτη.
- Να απενεργοποιείτε τη συσκευή όταν δεν την χρησιμοποιείτε.
- Να φοράτε γάντια.

**Υπολειπόμενοι κίνδυνοι**

**Ακόμη και σε περίπτωση σωστής και κανονικής χρήσης αυτού του ηλεκτρικού εργαλείου, υφίστανται πάντα ορισμένοι υπολειπόμενοι κίνδυνοι. Οι ακόλουθοι κίνδυνοι μπορούν να παρουσιαστούν ανάλογα με το είδος κατασκευής και το μεντέλο αυτού του ηλεκτρικού εργαλείου:**

1. Βλάβες πνευμόνων, εάν δεν χρησιμοποιηθούν κατάλληλες μάσκες προστασίας από σκόνη.
2. Βλάβες της ακοής, εάν δεν χρησιμοποιηθεί κατάλληλη ηχοπροστασία.
3. Βλάβες της υγείας που προκαλούνται από δονήσεις χεριού-βραχίονα, εάν η συσκευή χρησιμοποιηθεί για μεγαλύτερο χρονικό διάστημα ή δεν τηρείται και δεν συντηρείται σωστά.

## 6. Πριν τη θέση σε λειτουργία

Πριν τη θέση σε λειτουργία του κατσαβιδιού μπαταρίας σας να διαβάσετε οπωσδήποτε αυτές τις υποδείξεις:

1. Φορτίστε το συσσωρευτή με το συμπαραδιδόμενο φορτιστή. Μία κενή μπαταρία φορτίζεται μετά από περ. μία ώρα.
2. Να χρησιμοποιείτε μόνο τροχισμένα τρυπάνια και κατάλληλες κατσαβιδόλαμες.
3. Όταν βιδώνετε σε εσωτερικούς και εξωτερικούς τοίχους να ελέγχετε για ενδεχόμενους μη εμφανείς αγωγούς ρεύματος, αερίου και νερού.

## 7. Χειρισμός

### 7.1 Φόρτιση της μονάδας συσσωρευτή LI (εικ. 2-3)

Ο συσσωρευτής προστατεύεται από βαθιά εκφόρτιση. Ένα ενσωματωμένο σύστημα ασφαλείας απενεργοποιεί τη συσκευή σε περίπτωση κενού συσσωρευτή. Η υποδοχή εργαλείου δεν περιστρέφεται πλέον.

**Προειδοποίηση!** Μην χειρίζεστε τον διακόπτη ενεργοποίησης/ απενεργοποίησης πλέον, όταν το σύστημα ασφαλείας απενεργοποίησε τη συσκευή. Αυτό θα μπορούσε να προκαλέσει βλάβη του συσσωρευτή.

1. Βγάλτε τη μονάδα συσσωρευτή (5) από τη χειρολαβή πιέζοντας τα πλήκτρα κουμπώματος (6) στην αριστερή και δεξιά πλευρά.
2. Συγκρίνετε εάν η τάση που αναφέρεται στην ετικέτα αντιστοιχεί με την τάση του δικτύου. Βάλτε το βύσμα του φορτιστή (11) στην πρίζα. Το πράσινο LED αρχίζει να αναβοσβήνει.
3. Βάλτε τη μπαταρία (5) πάνω στον φορτιστή (11).
4. Στο εδάφιο 10 (ένδειξη φορτιστή) θα βρείτε πίνακα με τις εξηγήσεις της ένδειξης του LED στο φορτιστή.

Εάν δεν είναι δυνατή η φόρτιση του συσσωρευτή, παρακαλούμε να ελέγξετε

- εάν υπάρχει τάση στην πρίζα.
- εάν υπάρχει άψογη επαφή στις επαφές φόρτισης του φορτιστή (11).

Εάν δεν είναι δυνατή η φόρτιση του συσσωρευτή, παρακαλούμε να αποστείλετε

- τον φορτιστή και τον προσαρμογέα φόρτισης
- και την μονάδα του συσσωρευτή στο τμήμα μας εξυπηρέτησης πελατών.

Προς εξασφάλιση μακράς διαρκείας ζωής του συσσωρευτή να ροντίσετε για έγκαιρη επαναφόρτιση της μονάδας του συσσωρευτή LI. Αυτό είναι οπωσδήποτε απαραίτητο εάν διαπιστώσετε πως μειώνεται η α'πόδοση του κατσαβιδιού μπαταρίας.

### 7.2 Ρύθμιση ροπής στρέψης (εικ. 4/αρ. 1)

Το κατσαβίδι είναι εξοπλισμένο με αυτόματο σύστημα ρύθμισης της ροπής στρέψης.

Η ροπή στρέψης για ορισμένο μέγεθος βιδών ρυθμίζεται στον δακτύλιο (1). Η ροπή στρέψης εξαρτάται από περισσότερους παράγοντες:

- από το είδος και τη σκληρότητα του κατεργαζόμενου υλικού.
- από το είδος και το μήκος των χρησιμοποιούμενων βιδών.
- από τις απαιτήσεις για τους βιδωτούς συνδέσμους.

Η σωστή ροπής στρέψης προκύπτει από την εξαγωγή της ζεύξης με χαρακτηριστικό θόρυβο.

**Προσοχή! Η ρύθμιση της ροπής στρέψης να γίνεται μόνο σε ακινητοποιημένη συσκευή.**

**7.3 Λειτουργία δράπανου (εικ. 4/αρ. 1)**

Για τη λειτουργία του τρυπανιού περιστρέψτε το δακτύλιο ρύθμισης „τρυπάνι“. Στης βαθμίδα λειτουργίας δράπανου ο συμπλέκτης ολίσθησης είναι εκτός λειτουργίας. Κατά τη λειτουργία δράπανου έχετε στη διάθεσή σας όλη τη ροπή στρέψης.

**7.4 Αλλαγή από 1η σε 2η ταχύτητα (εικ. 4/αρ. 2)**

Ανάλογα με τη θέση του μεταγωγέα μπορείτε να εργασθείτε με μεγαλύτερο ή μικρότερο αριθμό στροφών. Προς αποφυγή βλάβης του κιβωτίου ταχυτήτων, η αλλαγή ταχυτήτων να γίνεται μόνο στην ακινητοποίηση.

**7.5 Ένδειξη δυναμικότητας του συσσωρευτή (εικ. 4/αρ. 3)**

Πιέστε τον διακόπτη για την ένδειξη δυναμικότητας του συσσωρευτή (a). Η ένδειξη δυναμικότητας του συσσωρευτή (3) σας δείχνει την κατάσταση φόρτισης του συσσωρευτή με 3 χρωματιστές LED.

**7.6 Διακόπτης αλλαγής κατεύθυνσης (εικ. 5/αρ. 4)**

Με το συρτό διακόπτη πάνω από το διακόπτη ενεργοποίησης/ απενεργοποίησης μπορείτε να ρυθμίσετε την κατεύθυνση του κατσαβιδιού μπαταρίας και να το ασφαλίσετε κατά αθέλητης εκκίνησης. Μπορείτε να επιλέξετε μεταξύ δεξιόστροφης και αριστερόστροφης κίνησης. Προς αποφυγή βλάβης του κιβωτίου ταχυτήτων, η αλλαγή κατεύθυνσης να γίνεται μόνο στην ακινητοποίηση. Εάν ο συρτός διακόπτης βρίσκεται στη μέση, έχει μπλοκαριστεί ο διακόπτης ενεργοποίησης/ απενεργοποίησης.

**7.7 Αφήστε ελεύθερο τον διακόπτη ενεργοποίησης/απενεργοποίησης (εικ. 5/αρ. 7)**

Με τον διακόπτη ενεργοποίησης/ απενεργοποίησης μπορείτε να ελέγξετε αδιαβάθμητα τον αριθμό στροφών. Όσο περισσότερο πιέζετε τον διακόπτη, τόσο αυξάνεται ο αριθμός στροφών του κατσαβιδιού μπαταρίας.

**7.8 Φως LED (εικ. 5/αρ. 8)**

Το φως LED (8) κάνει δυνατό το φωτισμό το σημείου βιδώματος ή τρυπήματος σε περίπτωση δυσμενών συνθηκών φωτισμού. Το φως LED (8) ανάβει αυτόματα, μόλις πιέσετε το διακόπτη ενεργοποίησης/απενεργοποίησης (7).

**7.9 Αλλαγή εργαλείων (εικ. 6)**

**Προσοχή!** Σε όλες τις εργασίες (π.χ. αλλαγή εργαλείων, συντήρηση κλπ.) που εκτελείτε στο κατσαβίδι με μπαταρία να βάζετε το διακόπτη αλλαγής κατεύθυνσης (4) στη μεσαία θέση.

- Το κατσαβίδι μπαταρίας είναι εξοπλισμένο με υποδοχή ταχείας σύσφιξης (10) με ασφάλιση ατράκτου.
- Ανοίξτε την υποδοχή (10). Το άνοιγμα της υποδοχής (b) πρέπει να είναι αρκετά μεγάλο για να υποδεχθεί το εργαλείο (τρυπάνι ή μπιτ κατσαβιδιού).
- Επιλέξτε το κατάλληλο εργαλείο. Σπρώξτε το εργαλείο όσο πιο βαθιά γίνεται στο άνοιγμα της υποδοχής (b).
- Στρίψτε την υποδοχή (10) για να κλείσει καλά και ελέγξτε την καλή στερέωση του εργαλείου.



### 7.10 Βίδες

Να χρησιμοποιείτε καλύτερα βίδες με αυτοκεντράρισμα (π. χ. τορξ, στραυρόβιδες) που προσφέρουν ασφαλή εργασία. Να προσέχετε να συμφωνεί το χρησιμοποιούμενο bit και η βίδα ως προς το σχήμα και το μέγεθος. Να εκτελείτε τη ρύθμιση της ροπής στρέψης όπως περιγράφεται στις οδηγίες χρήσης ανάλογα με το μέγεθος της βίδας.

### 7.11 Ενσωματωμένη μαγνητική υποδοχή bit (εικ. 7-8)

Το δραπανοκατσάβιδο μπαταρίας διαθέτει ενσωματωμένη μαγνητική υποδοχή για bit (9) για bit ¼ ίντσας (6,35 mm).

Για να την χρησιμοποιήσετε, αφαιρέστε την υποδοχή ταχείας σύσφιξης (10) πιέζοντας το πίσω κάλυμμα (c) προς την κατεύθυνση της υποδοχής.

Τώρα μπορείτε να τοποθετήσετε το κατάλληλο bit στην ενσωματωμένη μαγνητική υποδοχή (9).

Για να επανατοποθετήσετε την υποδοχή εξαρτημάτων, βάλτε το στη θέση του και στρίψτε το λίγο μέχρι να μπορεί να μετακινηθεί πλήρως για να κουμπώσει. Κουμπώνετε με ώθηση του καλύμματος της υποδοχής (c) με κατεύθυνση προς τη συσκευή.

## 8. Καθαρισμός, συντήρηση και παραγγελία ανταλλακτικών

Πριν από όλες τις εργασίες τοποθέτησης να βγάζετε το φιλ από την πρίζα

### 8.1 Καθαρισμός

- Να κρατάτε όσο πιο ελεύθερα από σκόνη και ακαθαρσίες γίνεται τα συστήματα προστασίας, τις σχισμές εξαερισμού και το κέλυφος του μοτέρ. Σκουπίζετε τη συσκευή με ένα καθαρό πανί, ή καθαρίστε το με πεπεισμένο αέρα σε χαμηλή πίεση.
- Συνιστούμε να καθαρίζετε τη συσκευή αμέσως μετά από κάθε χρήση.
- Να καθαρίζετε τη συσκευή τακτικά με ένα νωπό πανί και λίγο μαλακό σαπούνι. Μη χρησιμοποιείτε καθαριστικά ή διαλύτες, γιατί δεν αποκλείεται να καταστρέψουν την επιφάνεια της συσκευής. Προσέξτε να μην περάσει νερό στο εσωτερικό της συσκευής.

### 8.2 Συντήρηση

Στο εσωτερικό της συσκευής δεν υπάρχουν εξαρτήματα που χρειάζονται συντήρηση.

### 8.3 Παραγγελία ανταλλακτικών:

Κατά την παραγγελία ανταλλακτικών να αναφέρετε τα εξής:

- Τύπος της συσκευής
- Αριθμός είδους της συσκευής
- Αριθμός ταύτισης της συσκευής

Θα βρείτε τις ισχύουσες τιμές και πληροφορίες στην ιστοσελίδα

[www.isc-gmbh.info](http://www.isc-gmbh.info)



## 9. Διάθεση στα απορρίμματα και επαναχρησιμοποίηση

Η συσκευή βρίσκεται σε μία συσκευασία προς αποφυγή ζημιών κατά τη μεταφορά. Αυτή η συσκευασία αποτελείται από πρώτες ύλες και έτσι μπορεί να επαναχρησιμοποιηθεί ή να ανακυκλωθεί. Η συσκευή και τα εξαρτήματά της αποτελούνται από διάφορα υλικά, όπως π.χ. μέταλλο και πλαστικά υλικά. Να παραδίδετε τα ελαττωματικά εξαρτήματα σε κέντρα συλλογής ειδικών απορριμμάτων. Ενημερωθείτε στα ειδικά καταστήματα ή στην διοίκηση της κοινότητας!



Μόνο για κράτη-μέλη της Ε.Ε.

Μη πετάτε τις ηλεκτρικές συσκευές στα οικιακά απορρίμματα!

Σύμφωνα με την ευρωπαϊκή Οδηγία 2002/96/ΕΚ για απόβλητα ειδών ηλεκτρικού και ηλεκτρονικού εξοπλισμού και την ενσωμάτωσή της σε εθνικό δίκαιο, πρέπει η παλιές ηλεκτρικές συσκευές να συγκεντρώνονται και να παραδίδονται για ανακύκλωση φιλική για το περιβάλλον.

Εναλλακτική λύση ανακύκλωσης αντί για επιστροφή  
Ο ιδιοκτήτης της ηλεκτρικής συσκευής υποχρεούται αντί της επιστροφής να συμβάλει στη σωστή ανακύκλωση σε περίπτωση που δεν συνεχίζει να χρησιμοποιεί τη συσκευή. Η παλιά συσκευή μπορεί να παραχωρηθεί σε κέντρο επιστροφής ηλεκτρικών συσκευών με την έννοια των εθνικών νόμων ανακύκλωσης και διαχείρισης αποβλήτων. Δεν συμπεριλαμβάνονται τα τμήματα παλιών συσκευών και τα βοηθητικά στοιχεία χωρίς ηλεκτρικά εξαρτήματα.

## 10. Ένδειξη φορτιστή

| Κατάσταση ένδειξης   |                      | Σημασία και μέτρα  |
|----------------------|----------------------|--|
| Κατάσταση ένδειξης   | Πράσινο LED          |  |
| Απενεργοποίηση (OFF) | Αναβοσβήνει          | <b>Ετοιμότητα για λειτουργία</b><br>Ο φορτιστής είναι συνδεδεμένος με το δίκτυο και έτοιμος για λειτουργία. Η μπαταρία δεν είναι μέσα στο φορτιστή.  |
| Ενεργοποιημένος      | Απενεργοποίηση (OFF) | <b>Φόρτιση</b><br>Ο φορτιστής φορτίζει τη μπαταρία σε λειτουργία ταχείας φόρτισης.   |
| Απενεργοποίηση (OFF) | Ενεργοποιημένος      | Η μπαταρία είναι πλήρως φορτισμένη (έληξε η διαδικασία φόρτισης)<br><b>Τι πρέπει να κάνετε:</b><br>Αφαιρέστε τη μπαταρία από τον φορτιστή. Διακόψτε την παροχή ρεύματος προς τον φορτιστή.   |
| Αναβοσβήνει          | Αναβοσβήνει          | <b>Σφάλμα</b><br>Δεν είναι δυνατή πλέον η φόρτιση. Η μπαταρία είναι ελαττωματική.<br><b>Τι πρέπει να κάνετε:</b><br>Μία ελαττωματική μπαταρία δεν είναι δυνατόν να επαναφορτιστεί.<br>Αφαιρέστε τη μπαταρία από τον φορτιστή.                        |
| Ενεργοποιημένος      | Ενεργοποιημένος      | <b>Βλάβη θερμοκρασίας:</b><br>Η μπαταρία είναι πολύ ζεστή (π. χ. άμεση ηλιακή ακτινοβολία) ή πολύ κρύα (κάτω από 0°C).<br><b>Τι πρέπει να κάνετε:</b><br>Αφαιρέστε τη μπαταρία και φυλάξτε την αυτή τη 1 ημέρα σε θερμοκρασία δωματίου (περ. 20° C). |

## 11. Δήλωση Συμμόρφωσης

Einhell Germany AG · Wiesenweg 22 · D-94405 Landau/Isar



## Konformitätserklärung

|  |  |
|--|--|
| <b>D</b> erklärt folgende Konformität gemäß EU-Richtlinie und Normen für Artikel                           | <b>PL</b> deklaruje zgodność wymienionego poniżej artykułu z następującymi normami na podstawie dyrektywy WE.  |
| <b>GB</b> explains the following conformity according to EU directives and norms for the following product | <b>BG</b> декларира съответното съответствие съгласно Директива на ЕС и норми за артикул   |
| <b>F</b> déclare la conformité suivante selon la directive CE et les normes concernant l'article           | <b>LV</b> raskaidro šādu atbilstību ES direktīvai un standartiem   |
| <b>I</b> dichiara la seguente conformità secondo la direttiva UE e le norme per l'articolo                 | <b>LT</b> apibūdina šį atitikimą EU reikalavimams ir prekės normoms  |
| <b>NL</b> verklaart de volgende overeenstemming conform EU richtlijn en normen voor het product            | <b>RO</b> declară următoarea conformitate conform directivei UE și normelor pentru articolul   |
| <b>E</b> declara la siguiente conformidad a tenor de la directiva y normas de la UE para el artículo       | <b>GR</b> δηλώνει την ακόλουθη συμμόρφωση σύμφωνα με την Οδηγία ΕΚ και τα πρότυπα για το προϊόν  |
| <b>P</b> declara a seguinte conformidade, de acordo com a directiva CE e normas para o artigo              | <b>HR</b> potvrđuje sljedeću usklađenost prema smjernicama EU i normama za artikl<br>Izjava o sukladnosti za ovaj proizvod dostupna je na internet stranici www.lidl.hr. |
| <b>DK</b> attesterer følgende overensstemmelse i medfør af EU-direktiv samt standarder for artikel         | <b>BIH</b> potvrđuje sljedeću usklađenost prema smjernicama EU i normama za artikl   |
| <b>S</b> förklarar följande överensstämmelse enl. EU-direktiv och standarder för artikeln                  | <b>RS</b> potvrđuje sledeću usklađenost prema smernicama EZ i normama za artikl  |
| <b>FIN</b> vakuuttaa, että tuote täyttää EU-direktiivin ja standardien vaatimukset                         | <b>RUS</b> следующим удостоверяется, что следующие продукты соответствуют директивам и нормам ЕС   |
| <b>EE</b> tõendab toote vastavust EL direktiivile ja standarditele   | <b>UKR</b> проголошує про зазначену нижче відповідність виробу директивам та стандартам ЄС на виріб  |
| <b>CZ</b> vydává následující prohlášení o shodě podle směrnice EU a norem pro výrobek                      | <b>MK</b> ja izjavува следната сообразност согласно EU-директивата и нормите за артикли  |
| <b>SLO</b> potrjuje sledečo skladnost s smernico EU in standardi za izdelek                                | <b>TR</b> Ürünü ile ilgili AB direktifleri ve normları gereğince aşağıda açıklanan uygunluğu belirtir  |
| <b>SK</b> vydáva nasledujúce prehlásenie o zhode podľa smernice EÚ a noriem pre výrobok                    | <b>N</b> erklærer følgende samsvar i henhold til EU-direktivet og standarder for artikkel  |
| <b>H</b> a kikkéhez az EU-irányvonal és Normák szerint a következő konformitást jelenti ki                 | <b>IS</b> Lysir uppfyllingu EU-reglna og annarra staðla vöru   |

## Akku-Boherschrauber PABSW 10.8 A1/Ladegerät LG PABSW 10.8 A1 (Parkside)

|   |  |
|---|--|
| <input type="checkbox"/> 87/404/EC_2009/105/EC  | <input checked="" type="checkbox"/> 2006/42/EC   |
| <input type="checkbox"/> 2005/32/EC_2009/125/EC | <input type="checkbox"/> Annex IV<br>Notified Body:<br>Notified Body No.:<br>Reg. No.:   |
| <input type="checkbox"/> 2006/95/EC             | <input type="checkbox"/> 2000/14/EC_2005/88/EC   |
| <input type="checkbox"/> 2006/28/EC             | <input type="checkbox"/> Annex V   |
| <input checked="" type="checkbox"/> 2004/108/EC | <input type="checkbox"/> Annex VI<br>Noise measured: L <sub>WA</sub> = dB (A); guaranteed L <sub>WA</sub> = dB (A)<br>P = KW; L/Ø = cm<br>Notified Body: |
| <input type="checkbox"/> 2004/22/EC             | <input type="checkbox"/> 2006/28/EC<br>Emission No.:   |
| <input type="checkbox"/> 1999/5/EC              |  |
| <input type="checkbox"/> 97/23/EC               |  |
| <input type="checkbox"/> 90/396/EC_2009/142/EC  |  |
| <input type="checkbox"/> 89/686/EC_96/58/EC     |  |
| <input checked="" type="checkbox"/> 2011/65/EC  |  |

Standard references: EN 60745-1; EN 60745-2-1; EN 60745-2-2; EN 55014-1;  
EN 55014-2; EN 61000-3-2; EN 61000-3-3; EN 60335-1; EN 60335-2-29

Landau/Isar, den 20.09.2012

Weichselgartner/General-Manager

Unger/Product-Management

First CE: 12  
Art.-No.: 45.136.46 I.-No.: 11012  
Subject to change without notice

Archive-File/Record: NAPR005201  
Documents registrar: Georg Riedel  
Wiesenweg 22, D-94405 Landau/Isar



## 12.Εγγύηση

Αξιότιμη πελάτσια, αξιότιμε πελάτη,

Τα προϊόντα μας υπόκεινται σε αυστηρούς ελέγχους ποιότητας. Εάν παρ'όλα αυτά κάποτε δεν λειτουργήσουν άψογα, λυπούμαστε πολύ και σας παρακαλούμε να αποτανθείτε προς το τμήμαμας Εξυπηρέτησης Πελατών, στη διεύθυνση που αναφέρετε σε αυτή την εγγύηση. Ευχαρίστως σας βοηθούμε και τηλεφωνικώς στον αριθμό που αναφέρετε πιο κάτω. Για την κατίσχυση των αξιώσεων εγγύησης ισχύουν τα εξής:

1. Αυτοί οι όροι εγγύησης ρυθμίζουν πρόσθετες παροχές εγγύησης. Από την εγγύηση αυτή δεν θίγονται οι νόμιμες αξιώσεις σας για εγγύηση. Η παροχή της εγγύησής μας είναι για σας δωρεάν.
2. Η εγγύηση καλύπτει αποκλειστικά και μόνο βλάβες που οφείλονται σε ελαττώματα υλικών ή παραγωγής και περιορίζονται στην αποκατάσταση αυτών των ελαττωμάτων ή την αντικατάσταση της συσκευής. Παρακαλούμε να προσέξετε πως οι συσκευές μας δεν προορίζονται για τη βιομηχανία, τη βιοτεχνία και την επαγγελματική χρήση. Για το λόγο αυτό δεν υφίσταται σύμβαση εγγύησης σε περίπτωση χρήσης της συσκευής στη βιομηχανία, βιοτεχνία, για επαγγελματικό ή άλλο παρόμοιο σκοπό. Από την εγγύησή μας αποκλείονται πέραν τούτου αποζημιώσεις για βλάβες μεταφοράς, βλάβες οφειλόμενες σε μη τήρηση της Οδηγίας συναρμολόγησης, ή σε εσφαλμένη εγκατάσταση, μη τήρηση της Οδηγίας χρήσης (π.χ. σύνδεση σε λάθος τάση δικτύου ή είδος ρεύματος), καταχρηστική ή όχι ορθή χρήση (π.χ. υπερφόρτωση ή χρήση μη εγκεκριμένων ανταλλακτικών εργαλείων ή εξαρτημάτων), μη τήρηση των Υποδείξεων συντήρησης και ασφαλείας, είσοδος ξένων αντικειμένων στη συσκευή (όπως π.χ. άμμος ή σκόνη), χρήση βίας ή εξωτερική επίδραση (όπως π.χ. βλάβες από πτώση) καθώς και βλάβες που οφείλονται σε κοινή φθορά. Αυτό ισχύει ιδιαίτερα για συσσωρευτές για τους οποίους παρ'όλα αυτά παρέχουμε εγγύηση 12 μηνών. Η αξίωση εγγύησης εκπίπτει σε περίπτωση που έγιναν ήδη ξένες επεμβάσεις στη συσκευή.
3. Η διάρκεια της εγγύησης ανέρχεται σε 3 έτη και αρχίζει από την ημερομηνία αγοράς της συσκευής. Οι αξιώσεις εγγύησης πρέπει να κατισχυθούν πριν την πάροδο της προθεσμίας της εγγύησης εντός δύο εβδομάδων από την διαπίστωση του ελαττώματος. Αποκλείεται η κατίσχυση αξιώσεων εγγύησης μετά την πάροδο της προθεσμίας της εγγύησης. Η επισκευή ή η αντικατάσταση της συσκευής δεν συνεπάγεται ούτε την επέκταση της διάρκειας της εγγύησης ούτε την έναρξη νέας προθεσμίας εγγύησης για τη συσκευή ή τα ενδεχομένως τοποθετηθέντα εξαρτήματα. Το ίδιο ισχύει και σε περίπτωση σέρβις επί τόπου.
4. Για την κατίσχυση της αξίωσης της εγγύησης σας παρακαλούμε να μας αποστείλετε τη συσκευή, χωρίς επιβάρυνσή μας με ταχυδρομικά τέλη, στην πιο κάτω αναφερόμενη διεύθυνση. Μη ξεχάσετε να επισυνάψετε το πρωτότυπο της απόδειξης αγοράς ή άλλο ισχύον αποδεικτικό αγοράς. Για το λόγο αυτό σας παρακαλούμε να φυλάξετε καλά την απόδειξη του ταμείου! Παρακαλούμε επίσης να μας περιγράψετε την αιτία για την διαμαρτυρία σας όσο πιο αναλυτικά γίνεται. Εάν το ελάττωμα της συσκευής σας καλύπτεται από την εγγύησή μας, είτε θα σας επιστραφεί ταχύτατα η επισκευασμένη συσκευή σας, είτε θα λάβετε μία νέα συσκευή.

Φυσικά επισκευάζουμε ευχαρίστως έναντι αμοιβής και ελαττώματα στη συσκευή σας που δεν καλύπτονται ή δεν καλύπτονται πλέον από την εγγύηση. Για το σκοπό αυτό σας παρακαλούμε να αποστείλετε τη συσκευή σας στη διεύθυνση του τμήματός μας για Εξυπηρέτηση Πελατών.

**EINHELL Hellas A. E.**

Lasithiou Str. 4

14342 Nea Philadelphia

Tel. 0210 2776871, 0213 0069925 · Fax 0210 2776871

IAN 86583



## Inhaltsverzeichnis

|  |    |
|--|----|
| 1. Einleitung .....                                  | 68 |
| 2. Sicherheitshinweise .....                         | 68 |
| 3. Gerätebeschreibung und Lieferumfang .....         | 73 |
| 4. Bestimmungsgemäße Verwendung .....                | 73 |
| 5. Technische Daten .....                            | 73 |
| 6. Vor Inbetriebnahme .....                          | 74 |
| 7. Bedienung .....                                   | 75 |
| 8. Reinigung, Wartung und Ersatzteilbestellung ..... | 76 |
| 9. Entsorgung und Wiederverwertung .....             | 77 |
| 10. Anzeige Ladegerät .....                          | 78 |
| 11. Konformitätserklärung .....                      | 79 |
| 12. Garantiekunde.....                               | 80 |

Der Nachdruck oder sonstige Vervielfältigung von Dokumentation und Begleitpapieren der Produkte, auch auszugsweise, ist nur mit ausdrücklicher Zustimmung der iSC GmbH zulässig.

Technische Änderungen vorbehalten



DE/AT/CH



**Warnung** - Zur Verringerung des Verletzungsrisikos Bedienungsanleitung lesen



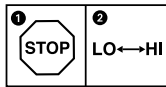
**Tragen Sie einen Gehörschutz.** Die Einwirkung von Lärm kann Hörverlust bewirken.



**Tragen Sie eine Staubschutzmaske.** Beim Bearbeiten von Holz und anderer Materialien kann gesundheitsschädlicher Staub entstehen. Asbesthaltiges Material darf nicht bearbeitet werden!



**Tragen Sie eine Schutzbrille.** Während der Arbeit entstehende Funken oder aus dem Gerät heraus tretende Splitter, Späne und Stäube können Sichtverlust bewirken.



Um eine Beschädigung des Getriebes zu vermeiden, darf die Gangumschaltung nur im Stillstand umgeschaltet werden

## 1. Einleitung

Herzlichen Glückwunsch zum Kauf Ihres neuen Gerätes.

Sie haben sich damit für ein hochwertiges Produkt entschieden. Die Bedienungsanleitung ist Bestandteil dieses Produkts. Sie enthält wichtige Hinweise für Sicherheit, Gebrauch und Entsorgung. Machen Sie sich vor der Benutzung des Produkts mit allen Bedien- und Sicherheitshinweisen vertraut. Benutzen Sie das Produkt nur wie beschrieben und für die angegebenen Einsatzbereiche. Händigen Sie alle Unterlagen bei Weitergabe des Produkts an Dritte mit aus.

## 2. Sicherheitshinweise

### ⚠ **Warnung**

**Lesen Sie alle Sicherheitshinweise und Anweisungen.** Versäumnisse bei der Einhaltung der Sicherheitshinweise und Anweisungen können elektrischen Schlag, Brand und/oder schwere Verletzungen verursachen. **Bewahren Sie alle Sicherheitshinweise und Anweisungen für die Zukunft auf.**

Der in den Sicherheitshinweisen verwendete Begriff „Elektrowerkzeug“ bezieht sich auf netzbetriebene Elektrowerkzeuge (mit Netzkabel) und auf akkubetriebene Elektrowerkzeuge (ohne Netzkabel).

### 1. Arbeitsplatzsicherheit

- a) **Halten Sie Ihren Arbeitsbereich sauber und gut beleuchtet.** Unordnung oder unbeleuchtete Arbeitsbereiche können zu Unfällen führen.
- b) **Arbeiten Sie mit dem Elektrowerkzeug nicht in explosionsgefährdeter Umgebung, in der sich brennbare Flüssigkeiten, Gase oder Stäube befinden.** Elektrowerkzeuge erzeugen Funken, die den Staub oder die Dämpfe entzünden können.
- c) **Halten Sie Kinder und andere Personen während der Benutzung des Elektrowerkzeuges fern.** Bei Ablenkung

können Sie die Kontrolle über das Gerät verlieren.

### 2. Elektrische Sicherheit

- a) **Der Anschlussstecker des Elektrowerkzeuges muss in die Steckdose passen. Der Stecker darf in keiner Weise verändert werden. Verwenden Sie keine Adapterstecker gemeinsam mit schutzgeerdeten Elektrowerkzeugen.** Unveränderte Stecker und passende Steckdosen verringern das Risiko eines elektrischen Schlages.
- b) **Vermeiden Sie Körperkontakt mit geerdeten Oberflächen, wie von Rohren, Heizungen, Herden und Kühlschränken.** Es besteht ein erhöhtes Risiko durch elektrischen Schlag, wenn Ihr Körper geerdet ist.
- c) **Halten Sie Elektrowerkzeuge von Regen oder Nässe fern.** Das Eindringen von Wasser in ein Elektrogerät erhöht das Risiko eines elektrischen Schlages.
- d) **Zweckentfremden Sie das Kabel nicht, um das Elektrowerkzeug zu tragen, aufzuhängen oder um den Stecker aus der Steckdose zu ziehen. Halten Sie das Kabel fern von Hitze, Öl, scharfen Kanten oder sich bewegenden Geräteteilen.** Beschädigte oder verwickelte Kabel erhöhen das Risiko eines elektrischen Schlages.
- e) **Wenn Sie mit einem Elektrowerkzeug im Freien arbeiten, verwenden Sie nur Verlängerungskabel, die auch für den Außenbereich geeignet sind.** Die Anwendung eines für den Außenbereich geeigneten Verlängerungskabels verringert das Risiko eines elektrischen Schlages.
- f) **Wenn der Betrieb des Elektrowerkzeuges in feuchter Umgebung nicht vermeidbar ist, verwenden Sie einen Fehlerstromschutzschalter.** Der Einsatz eines Fehlerstromschutzschalters vermindert das Risiko eines elektrischen Schlages.

### 3. Sicherheit von Personen

- a) **Seien Sie aufmerksam, achten Sie darauf, was Sie tun und gehen Sie mit Vernunft an die Arbeit mit einem Elektrowerkzeug. Benutzen Sie kein Elektrowerkzeug, wenn Sie müde sind oder unter Einfluss von Drogen, Alkohol oder Medikamenten stehen.** Ein Moment der Unachtsamkeit beim Gebrauch des Elektrowerkzeuges kann zu ernsthaften Verletzungen führen.
- b) **Tragen Sie persönliche Schutzausrüstung und immer eine Schutzbrille.** Das Tragen persönlicher Schutzausrüstung, wie Staubmaske, rutschfeste Sicherheitsschuhe, Schutzhelm oder Gehörschutz, je nach Art und Einsatz des Elektrowerkzeuges, verringert das Risiko von Verletzungen.
- c) **Vermeiden Sie eine unbeabsichtigte Inbetriebnahme. Vergewissern Sie sich, dass das Elektrowerkzeug ausgeschaltet ist, bevor Sie es an die Stromversorgung und/oder den Akku anschließen, es aufnehmen oder tragen.** Wenn Sie beim Tragen des Elektrowerkzeuges den Finger am Schalter haben oder das Gerät eingeschaltet an die Stromversorgung anschließen, kann dies zu Unfällen führen.
- d) **Entfernen Sie Einstellwerkzeuge oder Schraubenschlüssel, bevor Sie das Elektrowerkzeug einschalten.** Ein Werkzeug oder Schlüssel, der sich in einem drehenden Geräteteil befindet, kann zu Verletzungen führen.
- e) **Vermeiden Sie eine abnormale Körperhaltung. Sorgen Sie für einen sicheren Stand und halten Sie jederzeit das Gleichgewicht.** Dadurch können Sie das Elektrowerkzeug in unerwarteten Situationen besser kontrollieren.
- f) **Tragen Sie geeignete Kleidung. Tragen Sie keine weite Kleidung oder Schmuck. Halten Sie Haare, Kleidung und Handschuhe fern von sich bewegenden Teilen.** Lockere Kleidung, Schmuck oder lange Haare können von sich bewegenden Teilen erfasst werden.

- g) **Wenn Staubabsaugeinrichtungen und Staubauffangeinrichtungen montiert werden können, vergewissern Sie sich, dass diese angeschlossen sind und richtig verwendet werden.** Verwendung einer Staubabsaugung kann Gefährdungen durch Staub verringern.

### 4. Verwendung und Behandlung des Elektrowerkzeuges

- a) **Überlasten Sie das Gerät nicht. Verwenden Sie für Ihre Arbeit das dafür bestimmte Elektrowerkzeug.** Mit dem passenden Elektrowerkzeug arbeiten Sie besser und sicherer im angegebenen Leistungsbereich.
- b) **Benutzen Sie kein Elektrowerkzeug, dessen Schalter defekt ist.** Ein Elektrowerkzeug, das sich nicht mehr ein- oder ausschalten lässt, ist gefährlich und muss repariert werden.
- c) **Ziehen Sie den Stecker aus der Steckdose und/oder entfernen Sie den Akku, bevor Sie Geräteeinstellungen vornehmen, Zubehörteile wechseln oder das Gerät weglegen.** Diese Vorsichtsmaßnahme verhindert den unabsichtlichen Start des Elektrowerkzeuges.
- d) **Bewahren Sie unbenutzte Elektrowerkzeuge außerhalb der Reichweite von Kindern auf. Lassen Sie Personen das Gerät nicht benutzen, die mit diesem Gerät nicht vertraut sind oder diese Anweisungen nicht gelesen haben.** Elektrowerkzeuge sind gefährlich, wenn sie von unerfahrenen Personen benutzt werden.
- e) **Pflegen Sie Elektrowerkzeuge mit Sorgfalt. Kontrollieren Sie, ob bewegliche Teile einwandfrei funktionieren und nicht klemmen, ob Teile gebrochen oder so beschädigt sind, dass die Funktion des Elektrowerkzeuges beeinträchtigt ist. Lassen Sie beschädigte Teile vor dem Einsatz des Gerätes reparieren.** Viele Unfälle haben ihre Ursache in schlecht gewarteten Elektrowerkzeugen.

**f) Halten Sie Ihre Schneidwerkzeuge scharf und sauber.** Sorgfältig gepflegte Schneidwerkzeuge mit scharfen Schneidkanten verklemmen sich weniger und sind leichter zu führen.

**g) Verwenden Sie Elektrowerkzeug, Zubehör, Einsatzwerkzeuge usw. entsprechend diesen Anweisungen. Berücksichtigen Sie dabei die Arbeitsbedingungen und die auszuführende Tätigkeit.** Der Gebrauch von Elektrowerkzeugen für andere als die vorgesehenen Anwendungen kann zu gefährlichen Situationen führen.

#### **5. Verwendung und Behandlung des Akkuwerkzeugs**

**a) Laden Sie die Akkus nur in Ladegeräten auf, die vom Hersteller empfohlen werden.** Für ein Ladegerät, das für eine bestimmte Art von Akkus geeignet ist, besteht Brandgefahr, wenn es mit anderen Akkus verwendet wird.

**b) Verwenden Sie nur die dafür vorgesehenen Akkus in den Elektrowerkzeugen.** Der Gebrauch von anderen Akkus kann zu Verletzungen und Brandgefahr führen.

**c) Halten Sie den nicht benutzten Akku fern von Büroklammern, Münzen, Schlüsseln, Nageln, Schrauben oder anderen kleinen Metallgegenständen, die eine Überbrückung der Kontakte verursachen könnten.** Ein Kurzschluss zwischen den Akkukontakten kann Verbrennungen oder Feuer zur Folge haben.

**d) Bei falscher Anwendung kann Flüssigkeit aus dem Akku austreten. Vermeiden Sie den Kontakt damit. Bei zufälligem Kontakt mit Wasser abspülen. Wenn die Flüssigkeit in die Augen kommt, nehmen Sie zusätzlich ärztliche Hilfe in Anspruch.** Austretende Akkufflüssigkeit kann zu Hautreizungen oder Verbrennungen führen.

#### **6. Service**

**a) Lassen Sie Ihr Elektrowerkzeug nur von qualifiziertem Fachpersonal und nur mit Original-Ersatzteilen reparieren.** Damit wird sichergestellt, dass die Sicherheit des Elektrowerkzeuges erhalten bleibt.

**Halten Sie das Gerät an den isolierten Griffflächen, wenn Sie Arbeiten ausführen, bei denen die Schraube oder das Einsatzwerkzeug verborgene Stromleitungen treffen kann.** Der Kontakt mit einer spannungsführenden Leitung kann auch metallene Geräteteile unter Spannung setzen und zu einem elektrischen Schlag führen.

#### **Spezielle Sicherheitshinweise für Lithium-Ionen Aukkuschauber**

Wir legen größte Sorgfalt in den Aufbau jedes Akkupacks, um Akkus mit maximaler Energiedichte, Langlebigkeit und Sicherheit an Sie weitergeben zu können. Die Akkuzellen verfügen über mehrstufige Sicherheitsvorrichtungen. Jede einzelne Zelle wird zunächst formatiert und ihre elektrischen Kennlinien werden aufgenommen. Diese Daten werden anschließend genutzt, um die bestmöglichen Akkupacks gruppieren zu können. **Trotz aller Sicherheitsvorkehrungen ist beim Umgang mit Akkus stets Umsicht erforderlich. Für den sicheren Betrieb sind folgende Punkte zwingend zu beachten. Der sichere Betrieb ist nur mit ungeschädigten Zellen gewährleistet! Eine falsche Handhabung führt zu Zellschäden**

**Achtung!** Analysen bestätigen, dass grobe Falschnutzung und falsche Pflege Hauptursache für Schäden durch Hochleistungsakkus sind.

#### **Hinweise zum Akku**

- Der Akku-Pack des Akkugerätes ist im Lieferzustand nicht geladen. Vor der ersten Inbetriebnahme muss deshalb der Akku aufgeladen werden.
- Für eine optimale Akkuleistung vermeiden Sie tiefe Entladungszyklen! Laden Sie Ihren Akku häufig.



- Lagern Sie Ihren Akku kühl, am besten bei 15°C und zumindest 40% geladen.
- Lithium-Ionen Akkus unterliegen einer natürlichen Alterung. Spätestens wenn die Leistungsfähigkeit des Akkus nur mehr 80% des Neuzustandes entspricht, muss der Akku ersetzt werden! Geschwächte Zellen in einem gealterten Akku-Pack sind den hohen Leistungsanforderungen nicht mehr gewachsen und stellen so ein Sicherheitsrisiko dar.
- Verbrauchte Akkus nicht ins offene Feuer werfen. Explosionsgefahr!
- Akku nicht anzünden oder Verbrennung aussetzen.
- **Akkus nicht Tiefenentladen!** Tiefenentladung schädigt die Akkuzellen. Die häufigste Ursache für die Tiefenentladung von Akkupacks ist lange Lagerung bzw. Nichtnutzung teilentladener Akkus. Beenden Sie den Arbeitsvorgang sobald die Leistung merklich nachlässt oder die Schutzelektronik anspricht. Lagern Sie den Akku erst nach vollständiger Aufladung.
- **Akkus bzw. Gerät vor Überlastung schützen!** Überlastung führt rasch zur Überhitzung und Zellschädigung im Innern des Akkugehäuses, ohne dass die Überhitzung äußerlich zu Tage tritt.
- **Vermeiden Sie Beschädigungen und Stöße!** Ersetzen Sie Akkus, die Ihnen aus über einem Meter heruntergefallen sind oder die heftigen Stößen ausgesetzt waren unverzüglich, auch wenn das Gehäuse des Akkupacks unbeschädigt erscheint. Die Akkuzellen im Inneren können ernsthaft beschädigt sein. Beachten Sie hierzu auch die Entsorgungshinweise.
- Bei Überlastung und Überhitzung schaltet die integrierte Schutzabschaltung das Gerät aus Sicherheitsgründen ab. **Achtung!** Betätigen Sie den Ein-/ Ausschalter nicht mehr, wenn die Schutzabschaltung das Gerät abgeschaltet hat. Dies kann zu Schäden am Akku führen.
- Verwenden Sie nur originale Akkus. Der Einsatz von anderen Akkus kann zu Verletzungen; Exposition und Brandgefahr führen.

### Hinweise zum Ladegerät und Ladevorgang

- Verwenden Sie das mitgelieferte Ladegerät nicht zum Laden von nicht wieder aufladbaren Batterien.
- Beachten Sie die angegebenen Daten auf dem Typenschild des Ladegeräts. Schließen Sie das Ladegerät nur an die auf dem Typenschild angegebene Netzspannung an.
- Schützen Sie das Ladegerät und die Leitung vor Beschädigung und scharfen Kanten. Beschädigte Kabel oder Stecker sind unverzüglich durch einen Elektrofachmann auszutauschen.
- Das Ladegerät ist nicht dafür bestimmt, durch Personen (einschließlich Kindern) mit eingeschränkten physischen, sensorischen oder geistigen Fähigkeiten oder mangels Erfahrung und/oder mangels Wissen benutzt zu werden, es sei denn, sie werden durch eine für ihre Sicherheit zuständige Person beaufsichtigt oder erhalten von ihr Anweisung, wie das Gerät zu benutzen ist.
- Kinder sollten beaufsichtigt werden, um sicherzustellen, dass sie nicht mit dem Gerät spielen.
- Keine beschädigten Ladegeräte verwenden.
- Verwenden Sie das mitgelieferte Ladegerät nicht zum Laden von anderen Akkugeräten.
- Bei starker Beanspruchung erwärmt sich der Akku-Pack. Lassen Sie den Akku-Pack vor Beginn des Ladevorgangs auf Raumtemperatur abkühlen.
- **Akkus nicht Überladen!** Beachten Sie die maximalen Ladezeiten. Diese Ladezeiten gelten nur für entladene Akkus. Mehrfaches Einstecken eines geladenen oder teilgeladenen Akkus führt zum Überladen und zur Zellschädigung. Akkus nicht mehrere Tage im Ladegerät stecken lassen.
- **Benutzen und Laden Sie nie Akkus, von denen Sie vermuten, dass die letzte Aufladung des Akkus länger als 12 Monate zurück liegt.** Die Wahrscheinlichkeit ist hoch, dass der Akku bereits gefährlich geschädigt ist (Tiefenentladung).
- Laden bei einer Temperatur von unter 10°C führt zur chemischen Schädigung der Zelle

und kann zu Brand führen.

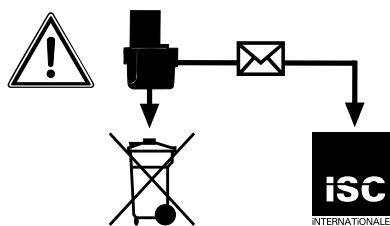
- Verwenden Sie keine Akkus, die sich während des Ladens erwärmt haben, da die Akkuzellen gefährlich geschädigt sein könnten.
- Verwenden Sie keine Akkus mehr, die sich während des Ladens aufgewölbt oder verformt haben, oder welche ungewöhnliche Symptome zeigten (Auszugasen, Zischen, Knacken, ...)
- Entladen Sie den Akku nicht vollständig (empfohlene Entladetiefe max. 80%). Vollentladung führt zur vorzeitigen Alterung der Akkuzellen.
- Batterien niemals unbeaufsichtigt laden!

#### Schutz vor Umwelteinflüssen

- Tragen Sie geeignete Arbeitskleidung. Schutzbrille tragen.
- **Schützen Sie Ihr Akkugerät und das Ladegerät vor Feuchtigkeit und Regen.** Feuchtigkeit und Regen können zu gefährlichen Zellschädigungen führen.
- Das Akkugerät und das Ladegerät nicht im Bereich von Dämpfen und brennbaren Flüssigkeiten verwenden.
- Ladegerät und Akkugeräte nur im trockenem Zustand und einer Umgebungstemperatur von 10-40°C verwenden.
- Bewahren Sie den Akku nicht an Orten auf, die eine Temperatur von über 40°C erreichen können, insb. nicht in einem in der Sonne geparkten Kfz.
- **Akkus vor Überhitzung schützen!** Überlastung, Überladung oder Sonneneinstrahlung führt zur Überhitzung und zur Zellschädigung. Laden oder arbeiten Sie keinesfalls mit Akkus, welche überhitzt wurden – ersetzen Sie diese unverzüglich.
- **Lagerung von Akkus, Ladegeräten und Akkugerät.**

Lagern Sie das Ladegerät und Ihr Akkugerät nur in trockenen Räumen mit einer Umgebungstemperatur von 10-40°C. Den Lithium-Ionen Akku lagern Sie kühl und trocken bei 10-20°C. Vor Luftfeuchtigkeit und direkter Sonneneinstrahlung schützen! Akkus nur in geladenem Zustand lagern (mind. 40% geladen).

- Verhindern Sie, dass der Lithium-Ionen Akku gefriert. Akkus, welche länger als 60 Minuten unter 0°C gelagert wurden, sind zu entsorgen.
- Vorsicht beim Umgang mit Akkus in Bezug auf elektrostatische Ladung: elektrostatische Entladungen führen zu Schäden an der Schutzelektronik und den Akku-Zellen! Vermeiden Sie daher elektrostatische Aufladung und berühren Sie niemals die Akku-Pole!



Akkumulatoren und akkugetriebene Elektrogeräte beinhalten umweltgefährdende Materialien. Akku-Geräte nicht in den Hausmüll geben. Nach dem Defekt oder Verschleiß der Geräte den Akku herausnehmen und an die iSC GmbH, Eschenstraße 6 in D-94405 Landau einsenden, oder, falls untrennbar verbunden, das Akku-Gerät einsenden. Nur dort wird vom Hersteller eine fachgerechte Entsorgung gewährleistet.

**Beachten Sie beim Versand oder Entsorgung von Akkus bzw. Akkugerät, dass diese einzeln in Kunststoffbeutel verpackt werden um Kurzschlüsse oder Brand zu vermeiden!**

**Bewahren Sie die Sicherheitshinweise gut auf.**





### 3. Gerätebeschreibung und Lieferumfang

#### 3.1 Gerätebeschreibung (Bild 1/8)

1. Drehmomenteinstellung
2. Umschalter 1. Gang - 2. Gang
3. Akku-Kapazitätsanzeige
4. Drehrichtungsschalter
5. Akku-Pack
6. Rasttaste
7. Ein-/ Ausschalter
8. LED-Licht
9. Integrierte magnetische Bitaufnahme
10. Schnellspannbohrfutter
11. Ladegerät

#### 3.2 Lieferumfang

- Öffnen Sie die Verpackung und nehmen Sie das Gerät vorsichtig aus der Verpackung.
- Entfernen Sie das Verpackungsmaterial sowie Verpackungs-/ und Transportsicherungen (falls vorhanden).
- Überprüfen Sie, ob der Lieferumfang vollständig ist.
- Kontrollieren Sie das Gerät und die Zubehörteile auf Transportschäden.
- Bewahren Sie die Verpackung nach Möglichkeit bis zum Ablauf der Garantiezeit auf.

#### Achtung!

**Gerät und Verpackungsmaterial sind kein Kinderspielzeug! Kinder dürfen nicht mit Kunststoffbeutel, Folien und Kleinteilen spielen! Es besteht Verschluckungs- und Erstickungsgefahr!**

- Akku-Bohrschrauber
- Ladegerät
- Akku-Pack
- Originalbetriebsanleitung

### 4. Bestimmungsgemäße Verwendung

Der Akku-Bohrschrauber ist geeignet zum Eindrehen und Lösen von Schrauben, sowie zum Bohren in Holz, Metall und Kunststoff.

Die Maschine darf nur nach ihrer Bestimmung verwendet werden. Jede weitere darüber hinausgehende Verwendung ist nicht bestimmungsgemäß. Für daraus hervorgerufene Schäden oder Verletzungen aller Art haftet der Benutzer/Bediener und nicht der Hersteller.

Bitte beachten Sie, dass unsere Geräte bestimmungsgemäß nicht für den gewerblichen, handwerklichen oder industriellen Einsatz konstruiert wurden. Wir übernehmen keine Gewährleistung, wenn das Gerät in Gewerbe-, Handwerks- oder Industriebetrieben sowie bei gleichzusetzenden Tätigkeiten eingesetzt wird.

### 5. Technische Daten

Spannungsversorgung Motor: ..... 10,8 V d.c.  
Leerlauf-Drehzahl: ..... 0-300/0-1050 min<sup>-1</sup>  
Drehmomentstufen: ..... 17+1 stufig  
Rechts- Links-Lauf: ..... ja  
Spannweite Bohrfutter: ..... 1-10 mm  
Akku-Typ: ..... Li-Ion  
Akku Kapazität: ..... 1,3 Ah  
Zellenanzahl: ..... 3  
Ladespannung Akku: ..... 10,8 V d.c.  
Ladestrom Akku: ..... 1500 mA  
Netzspannung Ladegerät: ..... 100-240V~ 50Hz  
Gewicht: ..... 1,0 kg  
Max. Schraubendurchmesser: ..... 6 mm

#### Geräusch und Vibration

Die Geräusch- und Vibrationswerte wurden entsprechend EN 60745 ermittelt.



|                                     |            |
|-------------------------------------|------------|
| Schalldruckpegel $L_{pA}$ .....     | 65,3 dB(A) |
| Unsicherheit $K_{pA}$ .....         | 3 dB       |
| Schallleistungspegel $L_{WA}$ ..... | 76,3 dB(A) |
| Unsicherheit $K_{WA}$ .....         | 3 dB       |

### Tragen Sie einen Gehörschutz.

Die Einwirkung von Lärm kann Gehörverlust bewirken.

Schwingungsgesamtwerte (Vektorsumme dreier Richtungen) ermittelt entsprechend EN 60745.

### Bohren in Metall

Schwingungsemissionswert  $a_h < 2,5 \text{ m/s}^2$   
Unsicherheit  $K = 1,5 \text{ m/s}^2$

### Schrauben ohne Schlag

Schwingungsemissionswert  $a_h < 2,5 \text{ m/s}^2$   
Unsicherheit  $K = 1,5 \text{ m/s}^2$

### Warnung!

Der angegebene Schwingungsemissionswert ist nach einem genormten Prüfverfahren gemessen worden und kann sich, abhängig von der Art und Weise, in der das Elektrowerkzeug verwendet wird, ändern und in Ausnahmefällen über dem angegebenen Wert liegen.

Der angegebene Schwingungsemissionswert kann zum Vergleich eines Elektrowerkzeuges mit einem anderen verwendet werden.

Der angegebene Schwingungsemissionswert kann auch zu einer einleitenden Einschätzung der Beeinträchtigung verwendet werden.

Es ist notwendig Sicherheitsmaßnahmen zum Schutz der Bedienperson festzulegen, die auf einer Abschätzung der Aussetzung während der tatsächlichen Benutzungsbedingungen beruhen (hierbei sind alle Anteile des Betriebszyklus zu berücksichtigen, beispielsweise Zeiten, in denen das Elektrowerkzeug abgeschaltet ist, und solche, in denen es zwar eingeschaltet ist, aber ohne Belastung läuft).

### Beschränken Sie die Geräusentwicklung und Vibration auf ein Minimum!

- Verwenden Sie nur einwandfreie Geräte.
- Warten und reinigen Sie das Gerät regelmäßig.
- Passen Sie Ihre Arbeitsweise dem Gerät an.
- Überlasten Sie das Gerät nicht.
- Lassen Sie das Gerät gegebenenfalls überprüfen.
- Schalten Sie das Gerät aus, wenn es nicht benutzt wird.
- Tragen Sie Handschuhe.

### Restrisiken

**Auch wenn Sie dieses Elektrowerkzeug vorschriftsmäßig bedienen, bleiben immer Restrisiken bestehen. Folgende Gefahren können im Zusammenhang mit der Bauweise und Ausführung dieses Elektrowerkzeuges auftreten:**

1. Lungenschäden, falls keine geeignete Staubschutzmaske getragen wird.
2. Gehörschäden, falls kein geeigneter Gehörschutz getragen wird.
3. Gesundheitsschäden, die aus Hand-Arm-Schwingungen resultieren, falls das Gerät über einen längeren Zeitraum verwendet wird oder nicht ordnungsgemäß geführt und gewartet wird.

## 6. Vor Inbetriebnahme

Lesen Sie vor der Inbetriebnahme Ihres Akkuschaubers unbedingt diese Hinweise:

1. Laden Sie den Akku-Pack mit dem mitgelieferten Ladegerät. Ein leerer Akku-Pack ist nach ca. einer Stunde aufgeladen.
2. Nur scharfe Bohrer sowie einwandfreie und geeignete Schrauberbits verwenden.
3. Beim Bohren und Schrauben in Wänden und Mauern diese auf verborgene Strom-, Gas- und Wasserleitung überprüfen.



## 7. Bedienung

### 7.1 Laden des Akku-Packs (Abb. 2-3)

Der Akku-Pack ist gegen Tiefentladung geschützt. Eine integrierte Schutzschaltung schaltet das Gerät automatisch aus, wenn der Akku-Pack entladen ist. Die Bit-Aufnahme dreht sich in diesem Fall nicht mehr. **Warnung!** Betätigen Sie den Ein-/Ausschalter nicht mehr, wenn die Schutzschaltung das Gerät abgeschaltet hat. Dies kann zu Schäden am Akku-Pack führen.

1. Akku-Pack (5) aus dem Handgriff heraus ziehen, dabei die Rasttasten (6) auf der linken und rechten Seite drücken.
2. Vergleichen, ob die auf dem Typenschild angegebene Netzspannung mit der vorhandenen Netzspannung übereinstimmt. Stecken Sie den Netzstecker des Ladegeräts (11) in die Steckdose. Die grüne LED beginnt zu blinken.
3. Stecken Sie den Akku-Pack (5) auf das Ladegerät (11).
4. Unter Punkt 10 (Anzeige Ladegerät) finden Sie eine Tabelle mit den Bedeutungen der LED Anzeige am Ladegerät.

Sollte das Laden des Akku-Packs nicht möglich sein, überprüfen Sie bitte,

- ob an der Steckdose die Netzspannung vorhanden ist.
- ob ein einwandfreier Kontakt an den Ladekontakten des Ladegeräts (11) vorhanden ist.

Sollte das Laden des Akku-Packs immer noch nicht möglich sein, bitten wir Sie,

- das Ladegerät und Ladeadapter
- und den Akku-Pack

an unseren Kundendienst zu senden.

Im Interesse einer langen Lebensdauer des Akku-Packs sollten Sie für eine rechtzeitige Wiederaufladung des Akku-Packs sorgen. Dies ist auf jeden Fall notwendig, wenn Sie feststellen, dass die Leistung des Akku-Schraubers nachlässt.

### 7.2 Drehmoment-Einstellung (Abb. 4/Pos. 1)

Der Akku-Schrauber ist mit einer mechanischen Drehmomenteinstellung ausgestattet.

Das Drehmoment für eine bestimmte Schraubengröße wird am Stellring (1) eingestellt. Das Drehmoment ist von mehreren Faktoren abhängig:

- von der Art und Härte des zu bearbeitenden Materials.
- von der Art und der Länge der verwendeten Schrauben.
- von den Anforderungen, die an die Schraubverbindung gestellt werden.

Das Erreichen des Drehmoments wird durch das ratschende Ausrücken der Kupplung signalisiert.

**Achtung! Stellring für das Drehmoment nur bei Stillstand einstellen.**

### 7.3 Bohren (Abb. 4/Pos. 1)

Zum Bohren stellen Sie den Einstellring für das Drehmoment auf die letzte Stufe „Bohrer“. In der Stufe Bohren ist die Rutschkupplung außer Betrieb. Beim Bohren ist das maximale Drehmoment verfügbar.

### 7.4 Umschaltung Gang 1 - Gang 2 (Abb. 4/Pos. 2)

Je nach Stellung des Umschalters können Sie mit einer höheren oder niedrigeren Drehzahl arbeiten. Um eine Beschädigung des Getriebes zu vermeiden, darf die Gangumschaltung nur im Stillstand umgeschaltet werden.

### 7.5 Akku-Kapazitätsanzeige (Bild 4/ Pos. 3)

Drücken Sie auf den Taster für Akku-Kapazitätsanzeige (a). Die Akku-Kapazitätsanzeige (3) signalisiert Ihnen den Ladezustand des Akku-Packs anhand von 3 farbigen LEDs.

### 7.6 Drehrichtungsschalter (Abb. 5/Pos. 4)

Mit dem Schiebeschalter über dem Ein-/Aus-Schalter können Sie die Drehrichtung des Akku-Schraubers einstellen und den Akku-Schrauber gegen ungewolltes Einschalten sichern. Sie können zwischen Links- und Rechtslauf wählen. Um

eine Beschädigung des Getriebes zu vermeiden, darf die Drehrichtung nur im Stillstand umgeschaltet werden. Befindet sich der Schiebeschalter in der Mittelstellung, ist der Ein-/Aus-Schalter blockiert.

### 7.7 Ein-/Ausschalter (Abb. 5/Pos. 7)

Mit dem Ein-/Ausschalter können Sie die Drehzahl stufenlos steuern. Je weiter Sie den Schalter drücken, desto höher ist die Drehzahl des Akku-Schraubers.

### 7.8 LED-Licht (Abb. 5/Pos. 8)

Das LED-Licht (8) ermöglicht das Ausleuchten der Schraub- bzw. Bohrstelle bei ungünstigen Lichtverhältnissen. Das LED-Licht (8) leuchtet automatisch, sobald Sie den Ein-/ Ausschalter (7) drücken.

### 7.9 Werkzeugwechsel (Abb. 6)

**Achtung!** Stellen Sie bei allen Arbeiten (z.B. Werkzeugwechsel; Wartung; usw.) am Akku-Schrauber den Drehrichtungsschalter (4) in Mittelstellung.

- Der Akku-Schrauber ist mit einem Schnellspannbohrfutter (10) mit automatischer Spindelarreterung ausgestattet.
- Drehen Sie das Bohrfutter (10) auf. Die Bohrfutteröffnung (b) muss groß genug sein, um das Werkzeug (Bohrer bzw. Schrauberbit) aufzunehmen.
- Wählen Sie das geeignete Werkzeug aus. Schieben Sie das Werkzeug soweit wie möglich in die Bohrfutteröffnung (b) hinein.
- Drehen Sie das Bohrfutter (10) fest zu, und prüfen Sie anschließend den festen Sitz des Werkzeuges.

### 7.10 Schrauben

Verwenden Sie am besten Schrauben mit Selbstzentrierung (z. B. Torx, Kreuzschlitz), welches ein sicheres Arbeiten gewährleistet. Achten Sie darauf, dass der verwendete Bit und die Schraube in Form und Größe übereinstimmen. Nehmen Sie die Drehmomenteinstellung, wie in der Anleitung beschrieben, entsprechend der Schraubengröße vor.

### 7.11 Integrierte magnetische Bitaufnahme (Abb. 7-8)

Der Akku-Bohrschrauber besitzt eine integrierte magnetische Bitaufnahme (9) für ¼ Zoll (6,35mm) Biteinsätze.

Um diese zu verwenden, entnehmen Sie das Schnellspannbohrfutter (10) indem Sie die hintere Bohrfutterhülse (c) in Richtung Bohrfutter drücken.

Nun können Sie einen geeigneten Biteinsatz in die integrierte magnetische Bitaufnahme (9) stecken.

Um das Bohrfutter wieder zu montieren, stecken Sie es auf die Bitaufnahme auf und drehen Sie es ein wenig bis es vollständig aufgeschoben werden kann. Arretieren Sie das Bohrfutter indem Sie die Bohrfutterhülse (c) in Richtung Gerät schieben.

## 8. Reinigung, Wartung und Ersatzteilbestellung

Ziehen Sie vor allen Reinigungsarbeiten den Netzstecker.

### 8.1 Reinigung

- Halten Sie Schutzvorrichtungen, Luftschlitze und Motorengehäuse so staub- und schmutzfrei wie möglich. Reiben Sie das Gerät mit einem sauberen Tuch ab oder blasen Sie es mit Druckluft bei niedrigem Druck aus.
- Wir empfehlen, dass Sie das Gerät direkt nach jeder Benutzung reinigen.
- Reinigen Sie das Gerät regelmäßig mit einem feuchten Tuch und etwas Schmierseife. Verwenden Sie keine Reinigungs- oder Lösungsmittel; diese könnten die Kunststoffteile des Gerätes angreifen. Achten Sie darauf, dass kein Wasser in das Geräteinnere gelangen kann.

### 8.2 Wartung

Im Geräteinneren befinden sich keine weiteren zu wartenden Teile.

### 8.3 Ersatzteilbestellung:

Bei der Ersatzteilbestellung sollten folgende Angaben gemacht werden;

- Typ des Gerätes
- Artikelnummer des Gerätes
- Ident-Nummer des Gerätes

Aktuelle Preise und Infos finden Sie unter [www.isc-gmbh.info](http://www.isc-gmbh.info)

## 9. Entsorgung und Wiederverwertung

Das Gerät befindet sich in einer Verpackung um Transportschäden zu verhindern. Diese Verpackung ist Rohstoff und ist somit wieder verwendbar oder kann dem Rohstoffkreislauf zurückgeführt werden. Das Gerät und dessen Zubehör bestehen aus verschiedenen Materialien, wie z.B. Metall und Kunststoffe. Führen Sie defekte Bauteile der Sondermüllentsorgung zu. Fragen Sie im Fachgeschäft oder in der Gemeindeverwaltung nach!



Nur für EU-Länder

Werfen Sie Elektrowerkzeuge nicht in den Hausmüll!

Gemäß europäischer Richtlinie 2002/96/EG über Elektro- und Elektronik-Altgeräte und Umsetzung in nationales Recht müssen verbrauchte Elektrowerkzeuge getrennt gesammelt werden und einer umweltgerechten Wiederverwertung zugeführt werden.

### Recycling-Alternative zur Rücksendeaufforderung:

Der Eigentümer des Elektrogerätes ist alternativ anstelle Rücksendung zur Mitwirkung bei der sachgerechten Verwertung im Falle der Eigentumsaufgabe verpflichtet. Das Altgerät kann hierfür auch einer Rücknahmestelle überlassen werden, die eine Beseitigung im Sinne der nationalen Kreislaufwirtschafts- und Abfallgesetze durchführt. Nicht betroffen sind den Altgeräten beigelegte Zubehörteile und Hilfsmittel ohne Elektrobestandteile.

## 10. Anzeige Ladegerät

| Anzeigestatus |           | Bedeutung und Maßnahme   |
|---------------|-----------|--|
| Rote LED      | Grüne LED |  |
| Aus           | Blinkt    | <b>Betriebsbereitschaft</b><br>Das Ladegerät ist an das Netz angeschlossen und betriebsbereit, Akku ist nicht im Ladegerät.  |
| An            | Aus       | <b>Laden</b><br>Das Ladegerät lädt den Akku im Schnellladebetrieb.   |
| Aus           | An        | Der Akku ist voll geladen (Ladevorgang abgeschlossen).<br><b>Maßnahme:</b><br>Entnehmen Sie den Akku aus dem Ladegerät. Trennen Sie das Ladegerät vom Netz.  |
| Blinkt        | Blinkt    | <b>Fehler</b><br>Ladevorgang ist nicht mehr möglich. Der Akku ist defekt.<br><b>Maßnahme:</b><br>Ein defekter Akku darf nicht mehr geladen werden.<br>Entnehmen Sie den Akku aus dem Ladegerät.                              |
| An            | An        | <b>Temperaturstörung</b><br>Der Akku ist zu heiß (z. B. direkte Sonnenbestrahlung) oder zu kalt (unter 0° C)<br><b>Maßnahme:</b><br>Entnehmen Sie den Akku und bewahren Sie diesen 1 Tag bei Raumtemperatur (ca. 20° C) auf. |

## 11. Konformitätserklärung

**Einhell Germany AG · Wiesenweg 22 · D-94405 Landau/Isar**



### Konformitätserklärung

|  |  |
|--|--|
| <b>D</b> erklärt folgende Konformität gemäß EU-Richtlinie und Normen für Artikel                           | <b>PL</b> deklaruje zgodność wymienionego poniżej artykułu z następującymi normami na podstawie dyrektywy WE.  |
| <b>GB</b> explains the following conformity according to EU directives and norms for the following product | <b>BG</b> декларира съответното съответствие съгласно Директива на ЕС и норми за артикул   |
| <b>F</b> déclare la conformité suivante selon la directive CE et les normes concernant l'article           | <b>LV</b> paskaidro šādu atbilstību ES direktīvai un standartiem   |
| <b>I</b> dichiara la seguente conformità secondo la direttiva UE e le norme per l'articolo                 | <b>LT</b> apibūdina šį atitikimą EU reikalavimams ir prekės normoms  |
| <b>NL</b> verklaart de volgende overeenstemming conform EU richtlijn en normen voor het product            | <b>RO</b> declară următoarea conformitate conform directivei UE și normelor pentru articolul   |
| <b>E</b> declara la siguiente conformidad a tenor de la directiva y normas de la UE para el artículo       | <b>GR</b> δηλώνει την ακόλουθη συμμόρφωση σύμφωνα με την Οδηγία ΕΚ και τα πρότυπα για το προϊόν  |
| <b>P</b> declara a seguinte conformidade, de acordo com a directiva CE e normas para o artigo              | <b>HR</b> potvrđuje sljedeću usklađenost prema smjernicama EU i normama za artikl<br>Izjava o sukladnosti za ovaj proizvod dostupna je na internet stranici www.lidl.hr. |
| <b>DK</b> attesterer følgende overensstemmelse i medfør af EU-direktiv samt standarder for artikel         | <b>BIH</b> potvrđuje sljedeću usklađenost prema smjernicama EU i normama za artikl   |
| <b>S</b> förklarar följande överensstämmelse enl. EU-direktiv och standarder för artikeln                  | <b>RS</b> potvrđuje sledeću usklađenost prema smernicama EZ i normama za artikl  |
| <b>FIN</b> vakuuttaa, että tuote täyttää EU-direktiivin ja standardien vaatimukset                         | <b>RUS</b> следующим удостоверяется, что следующие продукты соответствуют директивам и нормам ЕС   |
| <b>EE</b> tõendab toote vastavust EL direktiivile ja standarditele   | <b>UKR</b> проголошує про зазначену нижче відповідність виробу директивам та стандартам ЄС на виріб  |
| <b>CZ</b> vydává následující prohlášení o shodě podle směrnice EU a norem pro výrobek                      | <b>MK</b> ja izjavува следната сообразност согласно EU-директивата и нормите за артикли  |
| <b>SLO</b> potrjuje sledečo skladnost s smernico EU in standardi za izdelek                                | <b>TR</b> Ürünü ile ilgili AB direktifleri ve normları gereğince aşağıda açıklanan uygunluğu belirtir  |
| <b>SK</b> vydáva nasledujúce prehlásenie o zhode podľa smernice EÚ a noriem pre výrobok                    | <b>N</b> erklærer følgende samsvar i henhold til EU-direktivet og standarder for artikkel  |
| <b>H</b> a kikkékezh az EU-irányvonal és Normák szerint a következő konformitást jelenti ki                | <b>IS</b> Lysir uppfyllingu EU-reglna og annarra staðla vöru   |

### Akku-Boherschrauber PABSW 10.8 A1/Ladegerät LG PABSW 10.8 A1 (Parkside)

- |   |  |
|---|--|
| <input type="checkbox"/> 87/404/EC_2009/105/EC  | <input checked="" type="checkbox"/> 2006/42/EC   |
| <input type="checkbox"/> 2005/32/EC_2009/125/EC | <input type="checkbox"/> Annex IV<br>Notified Body:<br>Notified Body No.:<br>Reg. No.:   |
| <input type="checkbox"/> 2006/95/EC             | <input type="checkbox"/> 2000/14/EC_2005/88/EC   |
| <input type="checkbox"/> 2006/28/EC             | <input type="checkbox"/> Annex V   |
| <input checked="" type="checkbox"/> 2004/108/EC | <input type="checkbox"/> Annex VI<br>Noise measured: L <sub>WA</sub> = dB (A); guaranteed L <sub>WA</sub> = dB (A)<br>P = KW; L/Ø = cm<br>Notified Body: |
| <input type="checkbox"/> 2004/22/EC             | <input type="checkbox"/> 2006/28/EC<br>Emission No.:   |
| <input type="checkbox"/> 1999/5/EC              |  |
| <input type="checkbox"/> 97/23/EC               |  |
| <input type="checkbox"/> 90/396/EC_2009/142/EC  |  |
| <input type="checkbox"/> 89/686/EC_96/58/EC     |  |
| <input checked="" type="checkbox"/> 2011/65/EC  |  |

**Standard references: EN 60745-1; EN 60745-2-1; EN 60745-2-2; EN 55014-1;  
EN 55014-2; EN 61000-3-2; EN 61000-3-3; EN 60335-1; EN 60335-2-29**

Landau/Isar, den 20.09.2012

Weichselgartner/General-Manager

Unger/Product-Management

First CE: 12  
Art.-No.: 45.136.46 I.-No.: 11012  
Subject to change without notice

Archive-File/Record: NAPR005201  
Documents registrar: Georg Riedel  
Wiesenweg 22, D-94405 Landau/Isar

## 12. Garantieurkunde

Sehr geehrte Kundin, sehr geehrter Kunde,  
unsere Produkte unterliegen einer strengen Qualitätskontrolle. Sollte dieses Gerät dennoch einmal nicht einwandfrei funktionieren, bedauern wir dies sehr und bitten Sie, sich an unseren Servicedienst unter der auf dieser Garantiekarte angegebenen Adresse zu wenden. Gern stehen wir Ihnen auch telefonisch über die unten angegebene Servicenummer zur Verfügung. Für die Geltendmachung von Garantieansprüchen gilt folgendes:

1. Diese Garantiebedingungen regeln zusätzliche Garantieleistungen. Ihre gesetzlichen Gewährleistungsansprüche werden von dieser Garantie nicht berührt. Unsere Garantieleistung ist für Sie kostenlos.
2. Die Garantieleistung erstreckt sich ausschließlich auf Mängel, die auf Material- oder Herstellungsfehler zurückzuführen sind und ist auf die Behebung dieser Mängel bzw. den Austausch des Gerätes beschränkt. Bitte beachten Sie, dass unsere Geräte bestimmungsgemäß nicht für den gewerblichen, handwerklichen oder industriellen Einsatz konstruiert wurden. Ein Garantievertrag kommt daher nicht zustande, wenn das Gerät in Gewerbe-, Handwerks- oder Industriebetrieben sowie bei gleichzusetzenden Tätigkeiten eingesetzt wird. Von unserer Garantie sind ferner Ersatzleistungen für Transportschäden, Schäden durch Nichtbeachtung der Montageanleitung oder aufgrund nicht fachgerechter Installation, Nichtbeachtung der Gebrauchsanleitung (wie durch z.B. Anschluss an eine falsche Netzspannung oder Stromart), missbräuchliche oder unsachgemäße Anwendungen (wie z.B. Überlastung des Gerätes oder Verwendung von nicht zugelassenen Einsatzwerkzeugen oder Zubehör), Nichtbeachtung der Wartungs- und Sicherheitsbestimmungen, Eindringen von Fremdkörpern in das Gerät (wie z.B. Sand, Steine oder Staub), Gewalteinwirkung oder Fremdeinwirkungen (wie z. B. Schäden durch Herunterfallen) sowie durch verwendungsgemäßen, üblichen Verschleiß ausgeschlossen. Dies gilt insbesondere für Akkus, auf die wir dennoch eine Garantiezeit von 12 Monaten gewähren. Der Garantieanspruch erlischt, wenn an dem Gerät bereits Eingriffe vorgenommen wurden.
3. Die Garantiezeit beträgt 3 Jahre und beginnt mit dem Kaufdatum des Gerätes. Garantieansprüche sind vor Ablauf der Garantiezeit innerhalb von zwei Wochen, nachdem Sie den Defekt erkannt haben, geltend zu machen. Die Geltendmachung von Garantieansprüchen nach Ablauf der Garantiezeit ist ausgeschlossen. Die Reparatur oder der Austausch des Gerätes führt weder zu einer Verlängerung der Garantiezeit noch wird eine neue Garantiezeit durch diese Leistung für das Gerät oder für etwaige eingebaute Ersatzteile in Gang gesetzt. Dies gilt auch bei Einsatz eines Vor-Ort-Services.
4. Für die Geltendmachung Ihres Garantieanspruches übersenden Sie bitte das defekte Gerät portofrei an die unten angegebene Adresse. Fügen Sie den Verkaufsbeleg im Original oder einen sonstigen datierten Kaufnachweis bei. Bitte bewahren Sie deshalb den Kassenbon als Nachweis gut auf! Beschreiben Sie uns bitte den Reklamationsgrund möglichst genau. Ist der Defekt des Gerätes von unserer Garantieleistung erfasst, erhalten Sie umgehend ein repariertes oder neues Gerät zurück.

Selbstverständlich beheben wir gegen Erstattung der Kosten auch gerne Defekte am Gerät, die vom Garantiumfang nicht oder nicht mehr erfasst sind. Dazu senden Sie das Gerät bitte an unsere Serviceadresse.

IAN 86583





Two horizontal lines are positioned to the right of the pencil illustration. Below these, the page contains 25 additional horizontal lines, providing a total of 27 lines for writing or drawing.



IAN: 86583 PABSW 10.8 A1

**Einhell Germany AG**

Wiesenweg 22

D-94405 Landau/Isar

Last Information Update · Stanje informacija · Състояние на информацията

Έκδοση των πληροφοριών · Stand der Informationen: 12/2012

Ident.-No.: 45.136.46 122012 - HR BG GR

IAN 86583

