

Features

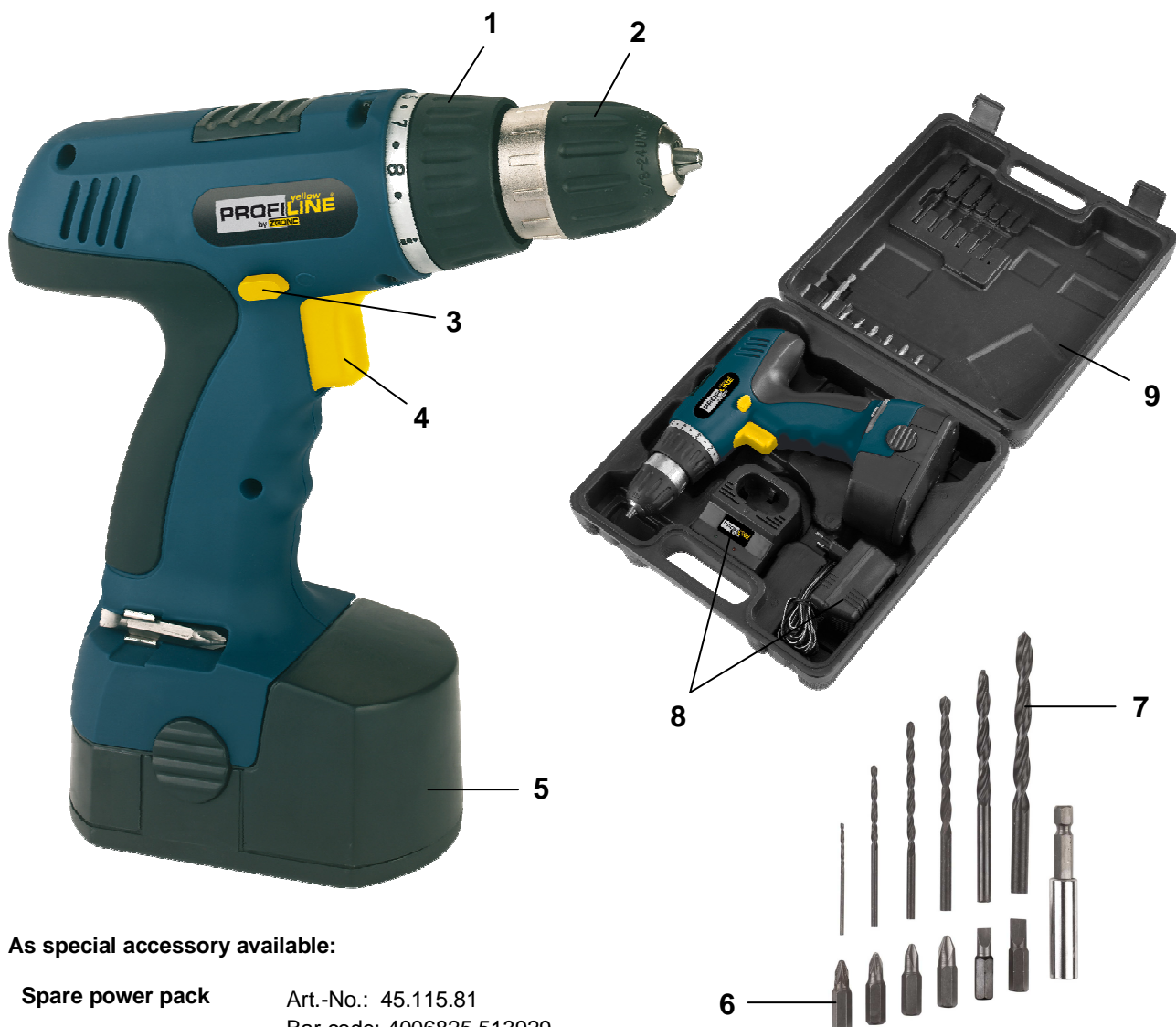
- 17-step torque settings (1)
- Quick chuck (2)
- Right / left turn (3)
- Electronic speed control (4)
- 1 NiCd changeable accu 14.4 (5)

Standard accessories

- 6 bits and 1 magnetic bit holder (6)
- 6 drills (Ø 1.5 mm / Ø 2.5 mm / Ø 3 mm / Ø 4 mm / Ø 5 mm / Ø 6 mm) (7)
- 3 - 5 hours charger (8)
- Transport and storage case (9)

Technical Data

- Battery voltage: 14.4 V
- Battery capacity: 1.2 Ah
- Idle speed: 0-550 min⁻¹
- Torque setting: 16 + 1
- Charging time: 3 - 5 hours
- Charging current: 400 mA
- Net weight: 2.4 kg
- Gross weight: 2.6 kg
- Packing dimensions: 280 x 285 x 96 mm
- Bar code: 4006825 547740
- Sales unit: 5 pcs



As special accessory available:

Spare power pack

Art.-No.: 45.115.81

Bar code: 4006825 513929