



User Manual

Spend a little Live a lot

WITH
**QUICK
START
GUIDE**



1500W ELECTRIC WET & DRY VACUUM CLEANER

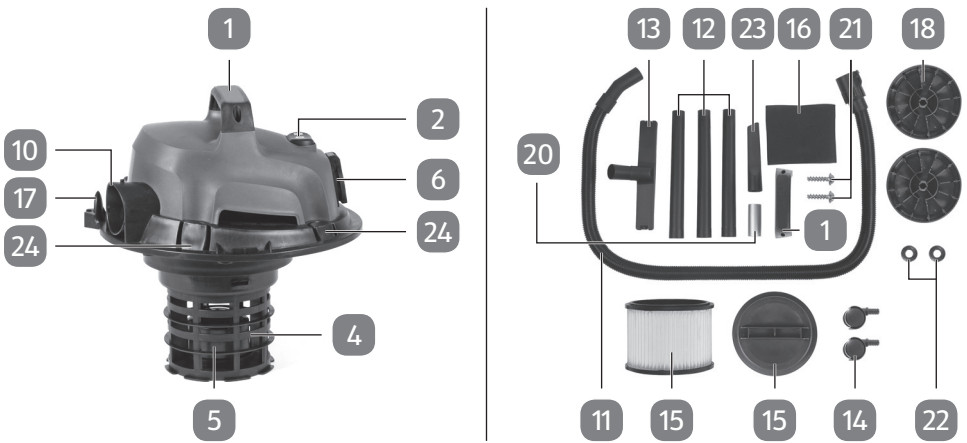


Original instruction manual

Contents

Pack contents/parts	3-4
General information	5
Reading and storing the original instruction manual	6
Explanation of symbols	6
Use and storage of the user guide	7
Proper Use	8
Reasonably foreseeable misuse	9
Safety	10
Explanation of the symbols and types of instructions used	10
Explanation of the pictograms for handling on the machine	11
Safety devices	12-13
Safety instructions	14-27
Set up	28-33
Use	34-37
Description of the components and control elements	34
Operation	34-36
Safety	37
Malfunction and remedy (FAQ)	37
Cleaning	38-39
Maintenance and servicing	40-41
Maintenance and Storage	40
Storage and transport	41
Ordering replacement parts	42
Replacing the power cable	42
Technical data	43-45
Declaration of conformity	45
Warranty	46-48
Recycling	49

Fig. 1

**Manufacturer's information:**

Einhell UK Ltd, Unit 9, Stadium Court, Wirral International Business Park,
Plantation Road, Bromborough, CH62 3QG

AFTER SALES SUPPORT

 www.einhell.co.uk

  0151 649 1500  1890 946244

Model: **WZVC 1930 SA**

PRODUCT CODE: **72115**

ON-SALE DATE: **09/2016**

3
YEAR
WARRANTY

Pack contents/parts

- 1 Handle
- 2 ON/OFF/Automatic switch
- 3 MOTOR UNIT
- 4 Filter cage
- 5 Safety float valve
- 6 Automatic socket-outlet for electric tools
- 7 Locking hook
- 8 Stainless Steel metal Tank
- 9 Suction hose connection
- 10 Blow connector
- 11 Flexible suction hose
- 12 3-piece suction tube
- 13 Dual purpose nozzle
- 14 Casters
- 15 Pleated filter
- 16 Foamed plastic filter
- 17 Hook for cable store
- 18 Wheels
- 19 Water drain outlet
- 20 Adapter
- 21 Fastening screws on the handle
- 22 Washer (fitted on wheel axle)
- 23 Crevice nozzle
- 24 Accessory holder
- 25 Original operating & safety instructions
- 26 Quick set-up guide
- 27 Paper Dirt bag (Not included)
- 28 13A plug and supply cable

Congratulations!

You have made an excellent choice with the purchase of this quality Workzone® product.

By doing so you now have the assurance and peace of mind which comes from purchasing a product that has been manufactured to the highest standards of performance and safety, supported by the high quality standards of ALDI.

We want you to be completely satisfied with your purchase so this Workzone® product is backed by a comprehensive manufacturer's 3 year warranty and an outstanding after sales service through our dedicated Helpline.

We hope you will enjoy using your purchase for many years to come.

If you require technical support or in the unlikely event that your purchase is faulty please telephone our Helpline for immediate assistance. Faulty product claims made within the 3 year warranty period will be repaired or replaced free of charge provided that you have satisfactory proof of purchase (keep your till receipt safe!). This does not affect your statutory rights. However, be aware that the warranty will become null and void if the product is found to have been deliberately damaged, misused or disassembled.



Declaration of conformity (see chapter 'Declaration of conformity').
Products marked with this symbol meet all applicable Community regulations for the European Economic Area.

The Declaration of Conformity for the Workzone® Wet & Dry Vacuum Cleaner – WZVC 1930 SA is printed on page 45 of this User Manual.

General information

Reading and storing the original instruction manual



This instruction manual accompanies this Wet & Dry Vacuum Cleaner. It contains important information on start-up and handling.

For improved readability, the 'Original instruction manual' will be referred to only as the 'Instruction manual'.

Before using the Wet & Dry Vacuum Cleaner, read the instruction manual carefully. This particularly applies for the safety notes. Failure to heed this instruction manual may result in severe injury or damage to the Wet & Dry Vacuum Cleaner.

The instruction manual is based on the standards and rules in force in the European Union. When abroad, you must also observe country-specific guidelines and laws. Store the instruction manual for future use. If you pass the Wet & Dry Vacuum Cleaner on to third parties, please be absolutely sure to include this instruction manual.

Explanation of symbols

The following symbols and signal words are used in this instruction manual, on the Wet & Dry Vacuum Cleaner or on the packaging.

 **DANGER!**

This signal symbol/word indicates a hazard with high risk that, if not avoided, results in death or a severe injury.

 **WARNING!**

This signal symbol/word designates a hazard with moderate degree of risk which may lead to death or severe injury if not avoided.

 **CAUTION!**

This signal symbol/word designates a hazard with low risk that, if not avoided, may result in minor or moderate injury.

NOTICE!

This signal symbol/word warns against potential damages to property.



This symbol provides you with useful supplementary information on assembly or operation.

Use and storage of the user guide

In terms of the Wet & Dry Vacuum Cleaner, this instruction manual provides the information necessary to understand how to safely:

- Assemble the wheels & casters to the tank base, and fit the motor unit onto the metal tank.
- Fitting or changing the filters.
- Obtaining and fitting the optional (not supplied) paper dirt bag.
- Fitting the hose to the suction connector on the metal tank, or the blow connector on the motor unit.
- Fitting the cleaning accessories to the hose.
- The intended use, and how to use it for wet or dry spillages, etc.
- How to connect 13A power tools to the 13A socket and use the automatic on/off facility.
- How to store it.
- Simple maintenance and fault finding.
- If necessary, contacting about repairs, spare parts and warranty claims.

WARNING!

Read all safety regulations and instructions. Any errors made in following the safety regulations and instructions may result in fire and/or serious injury. Keep all safety regulations and instructions in a safe place for future use.

Proper Use

This wet and dry vacuum cleaner is designed for wet and dry vacuuming using the appropriate filter. The equipment is not suitable for the vacuuming of combustible, explosive or harmful substances. Although this unit can be used to vacuum wet spillages, etc., this unit cannot be used as a carpet cleaner (i.e. there is no function on the unit to spray a cleaning solution onto the carpet and then vacuum it back off the carpet).

The operating instructions as supplied by the manufacturer must be obeyed to ensure that the equipment is used properly & the manufacturer cannot be held liable for damage or injury caused by improper or incorrect usage.

The equipment is to be used only for its prescribed purpose & any use which is not expressly permitted in these instructions may result in damage to the equipment and place the user in serious danger. Be sure to observe the restrictions in the safety information.

Please note that our equipment has not been designed for use in commercial, trade or industrial applications. Our warranty will be voided if the equipment is used in commercial, trade or industrial businesses or for equivalent purposes.

DANGER!

When using for dry dust, etc., never vacuum the following: Burning materials, smouldering ash and cigarette butts, combustible, caustic, inflammable or explosive substances, vapour or liquids. There is a risk of burns injury, or burning damage to the vacuum cleaner parts. For safety reasons, the equipment is not allowed to be used as a drive unit for other tools or products of any kind.

The equipment is allowed to be used only for its intended purpose. Any other use is deemed to be a case of misuse. The user/operator and not the manufacturer will be liable for any damage or injuries of any kind resulting from such misuse.

Reasonably foreseeable misuse

- Not reading the Instructions and Safety advice in this User Guide, before using the product.
- Damage/Injury caused by not switching the electric motor off.
- Damage/Injury caused by the user pulling the cable, to remove the 13A plug out of the socket, instead of pulling on the 13A plug. (Risk of electrocution)
- Damage/Injury caused by positioning the hose, accessories or nozzles too close to adjacent objects, which may then be sucked into the hose, accessories or nozzles.

The reprinting or reproduction by any other means, in whole or in part, of documentation and papers accompanying products is permitted only with the express consent of Einhell UK Ltd.

Subject to technical changes.

AFTER SALES SUPPORT

  0151 649 1500  1890 946244

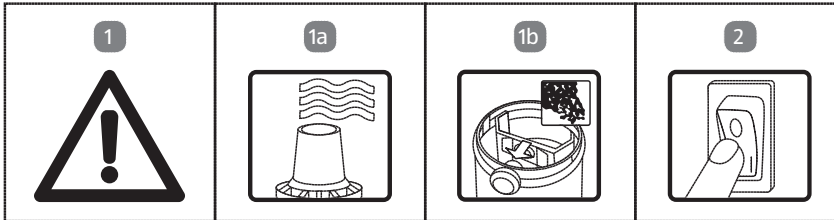
 www.einhell.co.uk

Safety

Explanation of the symbols and types of instructions used (See Fig. 2)

- 1 **Warning!** Read the user manual and follow the warnings and safety instructions.
- 1a **Important!** Ensure that the foam filter 16 is fitted to the filter cage, for wet vacuum cleaning.
- 1b **Important!** When dry vacuuming, the optional paper dirt bag 27 can be fitted by pushing it onto the hose inlet on the inside of metal tank. **Not suitable for wet vacuuming!**
- 2 **Important!** Do not switch on the vacuum cleaner until the correct filter is fitted, and the hose and accessories or nozzle, which you intend to use.

Fig. 2



Explanation of the pictograms for handling on the machine (See Fig. 3)

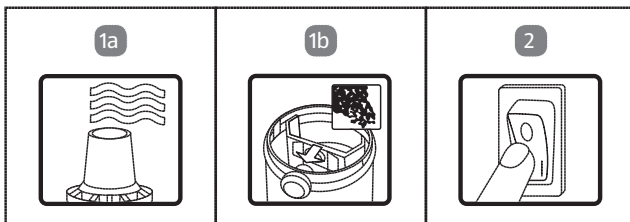


A safety sign is fitted to the top of the vacuum cleaner's motor unit cover. This label, along with the safety instructions on these pages, should be carefully read before attempting to operate this unit.

DANGER!

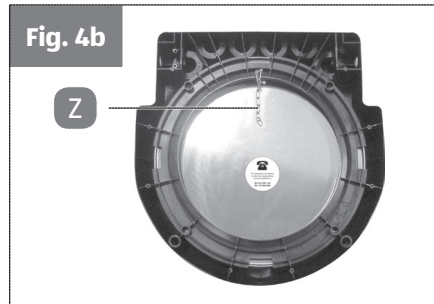
- 1a **Important!** Ensure that the foam filter **16** is fitted to the filter cage, for wet vacuum cleaning. **RECOMMENDED!**
- 1b **Important!** When dry vacuuming, the optional dirt bag **27** can be fitted by pushing it onto the hose inlet on the inside of metal tank. **Not suitable for wet vacuuming!**
- 2 **Important!** Only switch on the vacuum cleaner once the correct filter is fitted, and the hose and accessories or nozzle, which you intend to use.

Fig. 3



Safety devices (Fig. 4a – 4b)

- 5** When wet vacuuming, the floating safety switch (Fig. 4a - item **5**) closes when the maximum tank level is reached. At the same time, the suction noise of the equipment will change and become louder. You must then switch off the equipment and empty the metal tank.
- Z** Unforeseen static electricity may build up whilst using this vacuum cleaner, which may pass a static electric shock to the user. There is a piece of chain (Fig. 4b - item **Z**) on the bottom of the tank base to help prevent static build-up during use



⚠ WARNING!

Before using

- **If you are connecting a power tool to the wet & dry vacuum cleaner then wearing personal protective gear such as, safety gloves, non-slip safety shoes, long trousers, snug fitting clothing, eye protection and ear protection reduces the risk of injury. If you have long hair, wear a hair net. Never use a power tool connected with a wet & dry vacuum cleaner whilst barefoot or in sandals.**
- **Before you connect the equipment to the mains supply make sure that the data on the rating plate matches that of your local supply.** Failure to do this may result in an electric shock, fire and/or serious injury and/or damage to the machine due to an incorrect supply rating.

⚠ WARNING!

Read and follow the operating instructions and safety information before using for the first time. Failure to follow the safety notes and instructions may result in an electric shock, fire and/or serious injury and/or damage to the machine.

When using equipment, a few safety precautions must be observed to avoid injuries and damage. Please read the complete operating manual with due care. Keep this manual in a safe place, so that the information is available at all times. If you give the equipment to any other person, give them these operating instructions as well. We accept no liability for damage or accidents which arise due to non-observance of these instructions and the safety information.

- This equipment is not designed to be used by people (including children) with limited physical, sensory or mental capacities or those with no experience and/or knowledge unless they are supervised by a person who is responsible for their safety or they have received instructions from such a person in how to use the equipment safely.
- Children must always be supervised in order to ensure that they do not play with the equipment.
- Never allow other persons who are not familiar with the operating instructions to use the equipment. Contact your local governmental agency for information regarding minimum age requirements for the user.
- Never use a vacuum cleaner in the direct vicinity of persons - especially children or animals.

Safety instructions

1. Operation, storage and monitoring

WARNING!

- a) **If you are connecting a power tool to the wet & dry vacuum cleaner, then wear close-fitting work clothing which is in good condition and which offers protection, such as long trousers, sturdy work shoes, hard-wearing gloves, a face mask or goggles to protect your eyes, and good quality ear defenders to reduce the noise.** Wearing personal protective gear such as, safety gloves, non-slip safety shoes, long trousers, snug fitting clothing, eye protection or ear protection reduces the risk of injury. If you have long hair, wear a hair net.
- b) **Never leave the vacuum cleaner running and unattended. Store the vacuum cleaner in a safe place when not in use.**

WARNING!

- c) **If you interrupt your work to move to a different position it is imperative to switch off and unplug the vacuum cleaner while you are relocating it.** If the machine has not stopped when moving it then there is a risk of material or clothing becoming caught into the suction hose or accessories fitted to the hose thus causing damage or personal injury. There could also be risk of electrocution if either the mains cable is damaged whilst relocating the vacuum cleaner, or if the metal tank still has liquid inside if, if it is not unplugged.

⚠ DANGER!

- d) **Never use the vacuum cleaner in the rain or in moist or wet conditions.** There is a risk of electrocution, or damage to the vacuum cleaner, if moisture gets inside the vacuum cleaner.

⚠ DANGER!

- e) **Protect the vacuum cleaner from the damp and rain.** There is a risk of electrocution, or damage to the shredder, if moisture gets inside the vacuum cleaner.

⚠ DANGER!

- f) **Do not use the vacuum cleaner without an RCD protection device, the maximum operating current must not be greater than 30mA.** There is a risk of electrocution, or damage to the vacuum cleaner, in the event of a fault, if an RCD is not in the circuit.

⚠ DANGER!

- g) **The ON/OFF switch must be set to OFF and the power plug removed from the socket-outlet before cleaning or doing any other work on the vacuum cleaner and whenever the cable becomes tangled. The vacuum cleaner will continue to run briefly after it is switched off.** There is a risk of electrocution, or damage to the vacuum cleaner, if this is not done.
- h) **The operator is responsible for the safety of third parties within the working radius of the vacuum cleaner.**

⚠ WARNING!

- i) **This vacuum cleaner is not suitable for vacuuming dust which can be harmful to the health.** There is a risk of respiratory or other diseases, or risk of death if this is done.

⚠ WARNING!

- j) **Take extra care when cleaning steps.** If the vacuum cleaner is not stable during use and topples over, there is a risk of impact injury, injury from tripping or falling, injury from materials being sucked into the accessories or nozzles, or damage to the shredder.

⚠ DANGER!

- k) **Each time before you leave the vacuum cleaner, switch off the motor and pull out the power plug.** If the electric motor is left running there is a risk of damage or injury.

⚠ WARNING!

- l) **Maintenance and cleaning work on the vacuum cleaner, as well as the removal of the motor unit for emptying of the metal tank, changing of filters, etc. must only be performed when the motor is at a standstill and the power plug has been pulled out.** There is a risk of electrocution, injury or damage to the vacuum cleaner, if this is not done.

⚠ WARNING!

- m) **Never vacuum the following: Burning materials, smouldering ash and cigarette butts, combustible, caustic, inflammable or explosive substances, vapour or liquids.** There is a risk of burns injury, or burning damage to the vacuum cleaner parts.

⚠ WARNING!

- n) **The vacuum cleaner must be assembled correctly before it is put into operation.** There is a risk of electrocution, injury or damage to the shredder, if this is not done.

⚠ WARNING!

- o) **Examine the vacuum cleaner each time before you use it. Do not use the vacuum cleaner if any safety devices are damaged or worn. Never put safety devices out of operation.** There is a risk of electrocution, injury or damage to the vacuum cleaner, if this is done.

⚠ DANGER!

- p) **Work only in good visibility.** There is a risk of damage or injury if there is insufficient light in the working area.

⚠ DANGER!

- q) **Always make sure of your footing while working.** Risk of accident or injury due to slipping or tripping.

⚠ DANGER!

- r) **Take care to ensure that the power cable does not get damaged by being run over, crushed, pulled, or anything similar.** Risk of electrocution.
- s) Keep the vacuum cleaner away from other persons, particularly children and pets.
- t) Use the vacuum cleaner only for the purpose specified in these instructions.
- u) **The mains voltage of your supply must be the same as the voltage specified on the appliance rating plate.** Risk of fire or electrocution exists if this is not correct.
- v) **Power cables used with the shredder must not be of a lighter duty class than H07RN-F rubber insulated flexible cables according to DIN 57282 / VDE 0282 with a minimum cross sectional area of 1.5 mm².** Risk of fire or electrocution.
- w) **If the power cable has to be replaced, the replacement must comply with the design specifications of the manufacturer.** Risk of electrocution.
- x) **If the Power Cord or plug is damaged do not use the machine. Have the cable replaced with an approved part by a qualified electrician or a suitably qualified person.** Risk of fire or electrocution.
- y) **Have repairs carried out only by a qualified electrician or service Engineer.** Risk of fire or electrocution.

2. Additional instructions

- a) **Keep the air vents clear of dirt.** Risk of fire if the motor overheats.
- b) After use, unplug the machine and check it for damage.
- c) When you are not using the shredder, keep it in a dry place out of the reach of children.
- d) Check the screws regularly to see that they are properly tightened.
- e) **Examine the vacuum cleaner for signs of wear or damage each time before you use it and after any impacts.** Have essential repairs carried out without delay.
- f) Use only original replacement parts for repair and maintenance purposes.
- g) Never use replacement parts or accessories which are not approved or recommended by the manufacturer.
- h) Pull out the power plug before carrying out any inspection, cleaning or other work on the shredder and whenever it is not being used.
- i) Keep the machine away from other persons, particularly children and pets.
- j) Use the machine only in the way described in these operating instructions.
- k) The electric circuit must be protected at your Distribution Board by at least a 16A fuse.
- l) The efficiency of the machine will be greatly reduced if an extension cord with too small a cross section is used. A conductor cross section of at least $3 \times 1.5 \text{ mm}^2$ is required for cables up to 25 m long, and one of at least $3 \times 2.5 \text{ mm}^2$ for cables longer than 25 m. Risk of fire or electrocution.

- m) Do not wear loose clothing or clothing with hanging belts or cords.
- n) When the motor is running, keep your head and body away from the motor vents, and away from the suction hose, or accessories attached to the hose.
- o) When the motor is running, do not position your hands, other body parts or clothing into the vicinity of the suction hose, or accessories attached to the hose.



Damaged or illegible labels must be replaced.

⚠ WARNING!

- p) **To detect significant damage or defects, the equipment must be inspected each time before use and each time after being dropped or suffering other shocks. Do not use the vacuum cleaner if any damage has occurred as a result of dropping.** Risk of injury/death.

3. Safety of persons

- a) **Be careful, pay attention to what you are doing and approach work with a Wet & Dry Vacuum Cleaner in a reasonable manner. Do not use a vacuum cleaner if you are tired or under the influence of drugs, alcohol or medication.** A single moment of inattentiveness when using the vacuum cleaner can result in serious injury.

- b) Keep this equipment away from children.
- c) Do not use the vacuum cleaner if its switch is defective. A vacuum cleaner that can no longer be switched on or off is dangerous and must be repaired.
- d) If the machine is blocked, switch off the motor and pull out the mains plug before you start the cleaning procedure. Ensure that the motor is clear of waste and other accumulations to protect the motor from suffering damage or possibly catching fire.
- e) Avoid an abnormal posture. Maintain a safe position and keep your balance at all times. This will allow you to have better control of the vacuum cleaner in the event of unexpected situations.
- f) Never pull the 13A plug out of the socket, by pulling on the power cable.
- g) Allow the appliance to cool before carrying out any maintenance work, adjustments, etc.
- h) Never use the machine while other people or animals are nearby.
- i) Never clean the equipment with solvents.
- j) If foreign bodies become stuck in the hose, or hose accessories, or the machine generates unusual noises or vibrates in a strange way, switch off the motor immediately and allow the machine to come to a standstill. Do not use the machine again until it has been examined for damage and / or any foreign bodies removed, and the metal tank is emptied and the filters are cleaned.

4. Using and handling the wet & dry vacuum cleaner

- a) Before starting the machine, check all screws, nuts, bolts and other fastening materials to ensure that they are secure and that all covers and guards are in good working order, and in position. Damaged or illegible labels must be replaced.
- b) Do not tip the machine whilst the motor is running.
- c) Children must not be permitted to use the machine.
- d) Use the vacuum cleaner, accessories, etc. in accordance with these instructions. At the same time, consider the working conditions and the work to be performed. Using vacuum cleaners for applications other than the intended ones may result in dangerous situations, and the warranty will be voided.

5. Service

- a) Only have your vacuum cleaner repaired by a qualified professional and only with original spare parts. This will ensure that the safety of the vacuum cleaner is not compromised.
- b) **Pull out the mains plug and carry out the following work:**
 - Check the machine for signs of damage.
 - Check that all the parts are secure and tighten them if necessary.
 - Have any damaged parts replaced or repaired, but use only spare parts of the same type and equivalent quality.

⚠ WARNING!

Danger for children and persons with impaired physical, sensory or mental capacities (e.g. partially disabled persons, older persons with reduced physical and mental capacities) or lack of experience and knowledge.

- The vacuum cleaner may not be used by children and persons with impaired physical, sensory or mental capacities or lack of experience and knowledge.
- The operator must be at least 18 years of age.
- Children may not play with the vacuum cleaner. Cleaning and user maintenance must not be performed by children.
- Do not allow children to play with the packaging wrapper. They may get caught in it when playing and suffocate.
- Make sure that children do not insert any objects into the Wet & Dry Vacuum Cleaner.

⚠ WARNING!

- Never operate the vacuum cleaner in the wet or in the rain as this can increase the risk of electric shock.

⚠ WARNING!

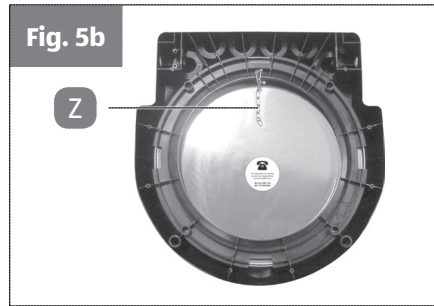
Risks associated with using the vacuum cleaner

If used improperly or in a negligent manner, the Wet & Dry Vacuum Cleaner can inflict serious injury!

- Carefully read through the instructions on proper handling, preparatory steps, maintenance, starting and switching off the vacuum cleaner. Familiarise yourself with all controls and switches as well as proper use of the vacuum cleaner.






6. Safety features (Fig. 5a – 5b)

- 5** When wet vacuuming, the floating safety switch (Fig. 5a - item **5**) closes when the maximum tank level is reached. At the same time, the suction noise of the equipment will change and become louder. You must then switch off the equipment and empty the metal tank.
- Z** Unforeseen static electricity may build up whilst using this vacuum cleaner, which may pass a static electric shock to the user. There is a piece of chain (Fig. 5b - item **Z**) on the bottom of the tank base to help prevent static build-up during use. A build up of static electricity can produce a small electric shock, which when discharged may cause injury to some people.



Study your vacuum cleaner and be familiar with its parts and operation.

7. Safe operation

- The safety, working and maintenance notes of the manufacturer as well as the information specified in the technical data must be complied with.
- Wear a dust mask every time you perform any work using a power tool connected to the vacuum cleaner, to prevent dust inhalation.
- Always position yourself in a stable upright position when working with a vacuum cleaner.
- Never remove debris from the machine, while the electric motor is running.
- To remove debris from the metal tank , switch the machine off and pull out the 13A plug . Then release the two locking hooks  and lift off the motor unit , to allow access to the inside of the metal tank. (See Fig. 7b - item  on Page 30).

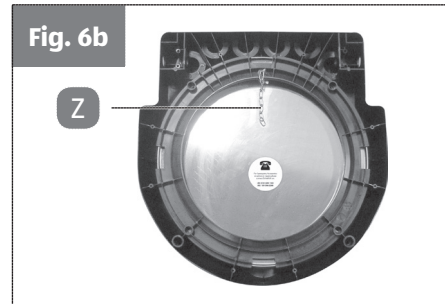
8. Residual risks

Despite being used properly, certain residual risk factors cannot be completely ruled out. The following risks associated with the design and construction of the wet & dry vacuum cleaner may apply:

- Contact with material being drawn into the suction hose or accessories fitted to the hose (cutting/abrasion hazards).
- Unforeseen static electricity may build up whilst using this vacuum cleaner, which may pass a static electric shock to the user. There is a piece of chain (Fig. 5b - item **Z**) on the bottom of the tank base to help prevent static build-up during use.
- Inhaling of work material particles or dust. (Danger of poisoning).
- The appliance must be used correctly.
- The machine must be correctly maintained and the metal tank emptied, and the filters cleaned or replaced, as necessary.
- The correct filters must be used depending on wet, or dry use. The filters must be in a good condition, with no holes in the materials.

9. Safety and protective equipment

- When wet vacuuming, the floating safety switch (Fig. 6a - item **5**) closes when the maximum tank level is reached. At the same time, the suction noise of the equipment will change and become louder. You must then switch off the equipment and empty the tank.
- Unforeseen static electricity may build up whilst using this vacuum cleaner, which may pass a static electric shock to the user. There is a piece of chain (Fig. 6b - item **Z**) on the bottom of the tank base to help prevent static build-up during use.



⚠ CAUTION!

- Do not remove the piece of chain (Fig. 6b - item **Z**) which is on the bottom of the tank base as it is there to help prevent static build-up during use.

If the piece of chain is missing, or if it wears away, then contact the After Sales Support line concerning obtaining a new piece of chain.

Set up

Before starting the equipment

This wet & dry vacuum cleaner is delivered with some parts inside which need to be assembled, and complete assembly is necessary before use.

CAUTION!

Check that all parts of the vacuum cleaner are in the box, or underneath the motor unit inside the metal drum, before starting to assemble.

1. First Use

Checking the vacuum cleaner and product contents

1. Carefully take the vacuum cleaner out of the packaging. (The 3-piece suction tube **12** is separate in one of the corner packaging sections).
2. Check to make sure that the delivery is complete, by removing the motor unit **3** from off the metal tank **8** (see Figs. 1-3).
3. Check whether the vacuum cleaner or the parts exhibit any damage.
4. In the event of damages or missing parts, do not use the vacuum cleaner. Contact the manufacturer via the service address indicated on the warranty card, or by using the After Sales Support contact information.
5. If possible, please keep the packaging until the end of the guarantee period.

NOTICE!

The equipment and packaging material are not toys. Do not let children play with plastic bags, or small parts. There is a danger of swallowing or suffocating!

2. Assembling the wet & dry vacuum cleaner

⚠ WARNING!

Before start-up, assemble the vacuum cleaner properly and completely, with the correct filter fitted to suit either wet or dry use.

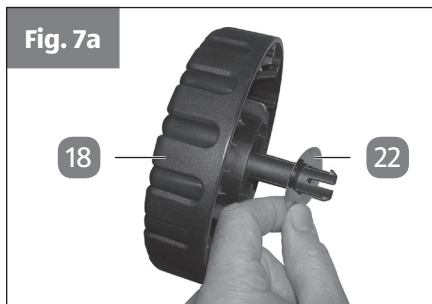
- Only once you have completed assembly, may you insert the mains plug in the socket.

You will also need the following tools for assembly:

- PH2 star-headed screwdriver

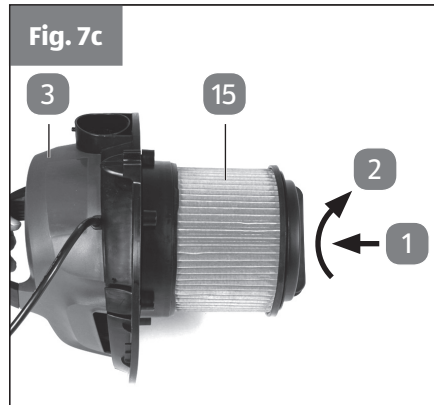
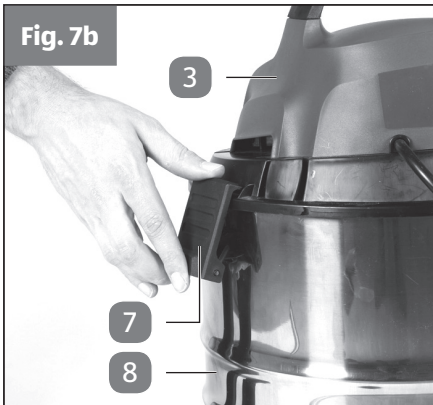
Before starting the equipment

- Before you connect the equipment to the mains supply make sure that the data on the rating plate matches that of your local supply.
- Always pull out the power plug before making adjustments to the equipment.
- The casters **14** and the wheels **18** (washers **22** are already fitted onto the wheels **18** - See Fig. 7a) must be fitted before use. Follow the operating instructions step-by-step and use the pictures provided as a visual guide to easily assemble the machine.



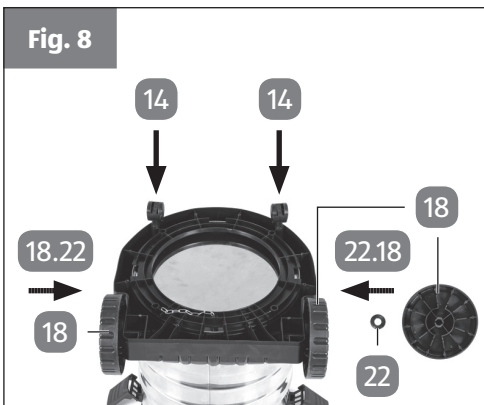
1. Fitting the motor unit (Fig. 7b - 7c)

- The motor unit **3** is fastened to the metal tank **8** by the locking hooks **7**. To remove the motor unit **3**, open both of the locking hooks **7** and take off the motor unit **3** (When refitting the motor unit **3**, make sure that both of the locking hooks **7** are fully locked into place correctly).
- With the motor unit **3** removed from the metal tank **8**, remove all the parts from inside the metal tank, and all the packaging pieces. (As supplied, the pleated filter **15** for dry use, is already fitted onto the bottom of the motor unit over the filter cage **4** see Fig. 7c).



2. Fitting the wheels & casters (Fig. 8)

- With the motor unit **3** removed from the metal tank **8**, turn the metal tank **8** upside down and fit the wheels **18** (with the already fitted washers **22**) into the plastic base of the metal tank. Then also fit the casters **14**.



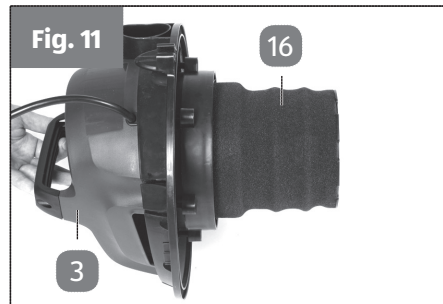
3. Fitting the handle 1 (Fig. 9)

- Refit the motor unit 3, onto the metal tank 8 & make sure that both of the locking hooks 7 lock into place correctly. Then use a PH2 star-headed screwdriver to fully secure the handle 1 using both of the screws 21.

Fitting the filters

⚠ CAUTION!

Never use the wet and dry vacuum cleaner without a filter.
Always ensure that the filters are securely seated.

**4. Fitting the foam filter 16 (Fig. 11) – For wet vacuuming only**

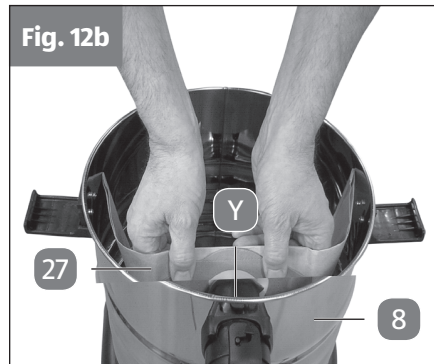
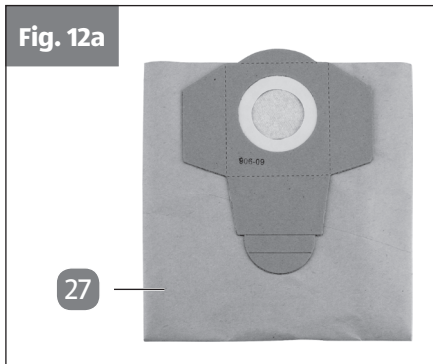
- If the pleated filter 15 is already fitted, then it must be removed before the foam filter 16 can be fitted. Once the filter cage 4 is clear (Fig. 10), then slip the supplied foam filter 16 over the filter cage (Fig. 11). The pleated filter 15 which is already fitted upon delivery is not suitable for wet vacuuming (Fig. 7b).

5. Fitting the pleated filter 15 (Fig. 7b)

- For dry-vacuuming, slip the pleated filter over the filter cage (Fig. 7b). The pleated filter 15 is suitable for dry-vacuuming only.

6. Fitting the optional paper dirt bag 27 (Not supplied) to the vacuum cleaner (See Fig. 12a - 2b)

- As an option you can purchase a paper dirt bag from the manufacturer via the contact information or service address indicated on the warranty card, or the contact information at the foot of the pages.
- For vacuuming fine, dry dirt it is recommended that you also fit the paper dirt bag 27. This will ensure that the pleated filter 15 does not clog up as quickly and help maintain the vacuuming power. It also makes it easier to dispose of the dust.
- You will need to provide the product data and part number of the debris bag, from the Ordering replacement parts section on Page 42.
- If you purchase a paper dirt bag 27, then it can be fitted to the shredder as below: Slip the dirt bag 27 over the internal hose outlet Y on the inside of the metal tank 8 (See Fig. 12a - 12b).



7. Fitting the suction hose (Fig. 13a - 13e)

- Connect the suction hose 11 to the corresponding connector on the wet and dry vacuum cleaner, depending on the application required. To extend the suction hose 11 you can attach one or more of the elements which make up the 3-part suction tube 12 to the suction hose 11.

8. Vacuuming

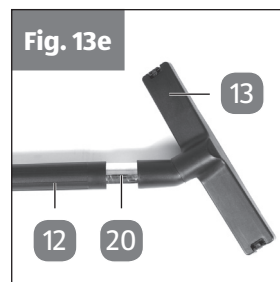
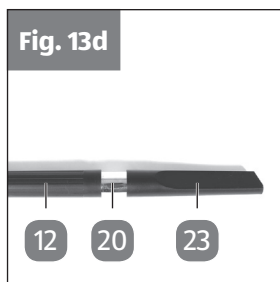
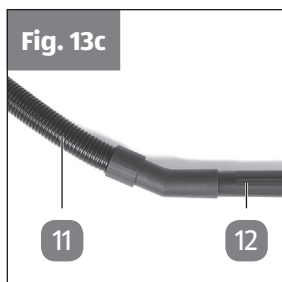
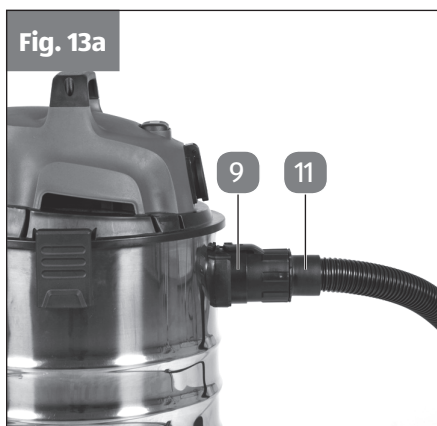
- Connect the suction hose 11 to the suction hose connector 9.

9. Blowing

- Connect the suction hose 11 to the blow connector 10.

10. Suction nozzles

- Combination nozzle **13**.
- The dual-purpose nozzle **13** is for vacuuming solids and liquids over medium to large areas. Fit the adapter **20** into the end of the suction tube **12**, to enable the dual-purpose nozzle **13** to be fitted.
- Crevice nozzle **23**. Fit the adapter **13** into the end of the suction tube **12**, to enable the crevice nozzle to be fitted.



Use

Description of components and control elements

Proper use

This wet and dry vacuum cleaner is designed for wet and dry vacuuming using the appropriate filter. The equipment is not suitable for the vacuuming of combustible, explosive or harmful substances. Although this unit can be used to vacuum wet spillages, etc., this unit cannot be used as a carpet cleaner (i.e. there is no function on the unit to spray a cleaning solution onto the carpet and then vacuum it back off the carpet.) The operating instructions as supplied by the manufacturer must be obeyed to ensure that the equipment is used properly & the manufacturer cannot be held liable for damage or injury caused by improper or incorrect usage.

The equipment is to be used only for its prescribed purpose. Any other use is deemed to be a case of misuse. The user/operator and not the manufacturer will be liable for any damage or injuries of any kind caused as a result of this.

Please note that our equipment has not been designed for use in commercial, trade or industrial applications. Our warranty will be voided if the machine is used in commercial, trade or industrial businesses or for equivalent purposes.

Operation

Please note that the statutory regulations governing noise abatement may differ from one location to another.

Each time before use, check the following:

- That the equipment is in perfect condition and that the safety devices are complete.
- That all screws are securely fastened.

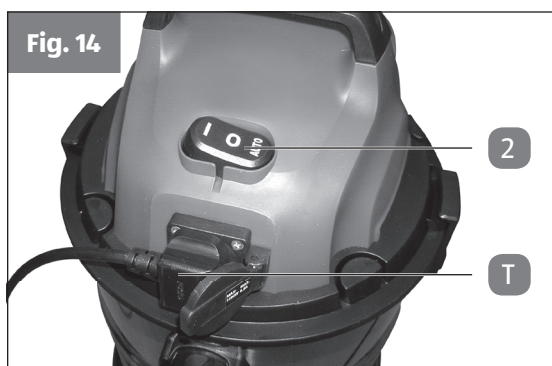
1. Connecting up the machine and switching it on (Fig. 1)

- Connect the 13A plug **28** on the vacuum cleaner power cable (Fig. 1) either to a 13A socket on the mains supply or via a 13A, 3-core extension power cable to a 13A socket on the mains supply.

2. The 3-position ON/OFF switch (See Fig. 14)

- The vacuum cleaner can be switched ON (switch position 'I') and OFF (switch position 'O') by using the ON/OFF switch **2** (Fig. 14 - item **2**).
- When the switched is set to the Automatic mode (switch position 'AUTO') and a power tool is connected to the 13A socket **T**, then operating the power tool will switch the vacuum cleaner ON/OFF. (Note that the vacuum cleaner will run for a few seconds after the tool is switched off, to assist in removing residual dust etc., in the power tool and cleaner system).

Wet & Dry Vacuum Cleaner – WZVC 1930 SA

**3. Dry vacuuming**

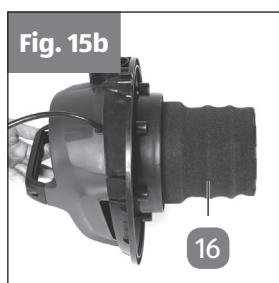
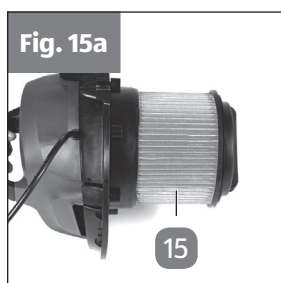
- For dry-vacuuming, use the pleated filter **15** (Fig. 15a). In addition, you can also fit the paper dirt bag. (See point 6, in the Setup section on page 32). Always ensure that the filters are securely seated.

4. Wet vacuuming

- For wet-vacuuming, use the foam filter **16** (Fig. 15b). See point 4 of the Setup section on P31. Check that the filter is securely seated at all times.

5. Water drain outlet

- To make the tank **8** easier to empty after wet vacuuming, it is fitted with a water drain outlet **19** (Fig. 15c) with a removable screw cap. Open the screw cap **19** by turning it anticlockwise and drain the liquid. Then refit the cap and fully tighten.

**Practical tips**

- Be sure to observe the safety instructions (see pages 10-26).

⚠ CAUTION!

When wet vacuuming, the floating safety switch **5** loses when the maximum tank level is reached. At the same time, the suction noise of the equipment will change and become louder. You must then switch off the vacuum cleaner and empty the tank.

⚠ CAUTION!

The wet and dry vacuum cleaner is not suitable for the vacuuming of combustible liquids. For wet vacuuming, use only the supplied foam filter. Do not vacuum liquids with a temperature above 40°C.

6. Automatic mode (See Figs. 1 & 14)


- Connect the 13A plug and power cable of your electric tool to the automatic socket-outlet **6** and connect the suction hose **11** to the vacuuming connector of your electric tool. Check that the connections are secure and air-tight.

Set the switch **2** on the wet and dry vacuum cleaner to position 'AUTO' (automatic mode). The moment you switch on the electric tool, the wet and dry vacuum cleaner switches on as well. When you switch off the electric tool, the wet and dry vacuum cleaner switches off as well after a pre-set delay.

7. Blowing (See Fig. 13b)

- Connect the suction hose **11** to the blow connector **10** on the wet and dry vacuum cleaner.

Malfunction and remedy (FAQ)

Problem	Problem Cause	Corrective Action
The vacuum cleaner does not work	No power at the plug	Check the power at the plug cable and fuse
	Vacuum cleaner is switched off	Switch the vacuum cleaner on
	Vacuum cleaner is switched to 'Auto' position with no power tool connected	Either connect a power tool and operate the power tool to switch the vacuum cleaner on, or set the switch to the 'ON' setting to operate the vacuum cleaner.
	Vacuum cleaner is switched to 'Auto' position with a power tool connected, but does not work when the power tool is turned on	Check the power tool for a failed fuse, or not working
	The vacuum cleaner works, but there is no power to the 13A power tool socket 	If the vacuum cleaner is still within the 3 year warranty period, then contact the after Sales support about a warranty claim. If the vacuum cleaner is outside of the warranty period, then get an electrician or other competent person to check it over
Vacuuming performance unsatisfactory	Dry working – Metal tank may be full, pleated filter could be blocked, or paper dirt bag (if fitted) could be full	Empty the metal tank and either clean the pleated filter and empty the paper dirt bag (if fitted), or replace the pleated filter and replace the paper dirt bag
	Wet working – Metal tank may be full, or foamed plastic filter could be blocked	Empty the metal tank and either clean or replace the foamed plastic filter

Cleaning

⚠ CAUTION!

Always set the On/Off switch 2 to Stop (0) & disconnect the 13A plug from the mains supply, before starting any cleaning and maintenance work! (See Fig. 1). Risk of electric shock.

Carrying out any cleaning work

- Clean the machine regularly. We recommend that you clean the vacuum cleaner immediately after you use it. This will help to keep the machine in good working order and is the basis for a long working life.
- Keep all safety devices, air vent slots and the motor unit free from dust and debris as far as possible while you work.

1. Cleaning the motor unit

- Clean the plastic body and other plastic parts with a mild household cleaning agent and a damp cloth. Do not use any aggressive agents or solvents for cleaning purposes as these may be aggressive to the plastic parts of the equipment. Never clean the vacuum cleaner by spraying it with water.

2. Cleaning the metal tank


- The metal tank can also be cleaned with a mild household cleaning agent and a damp cloth. Depending on the amount of dirt, if the motor unit is removed from the metal tank, then the metal tank can also be cleaned under running water.

⚠ CAUTION!


Prevent water getting inside the motor unit of the vacuum cleaner at all cost. Risk of electric shock.

Cleaning the filters (See Fig. 1 - Fig. 3)

3. Cleaning the pleated filter

- Clean the pleated filter  regularly by carefully patting it and cleaning it with a fine brush or hand brush.

4. Cleaning the foam filter

- Clean the foam filter  with a little soft soap under running water and allow it to air-dry.

Maintenance and servicing

Maintenance and Storage

CAUTION!

All maintenance work apart from the work described in this manual may only be carried out by authorised after-sales service personnel such as a qualified electrician or similarly trained person.

CAUTION!

Always set the On/Off switch  to Stop (0) & disconnect the 13A plug from the mains supply, before starting any cleaning and maintenance work! (See Fig. 1). Risk of electric shock.

Maintenance and ordering of spare parts

CAUTION!

Always set the On/Off switch  to Stop (0) & disconnect the 13A plug from the mains supply, before starting any cleaning and maintenance work! (See Fig. 1). Risk of electric shock.

Maintenance

At regular intervals and before each use, check that the filters in the wet and dry vacuum cleaner are clean, not damaged, and are securely fitted.

Storing the equipment

- Clean the vacuum cleaner & accessories before storage.
- After wet use, ensure that the metal tank, filter, motor unit, hose and all accessories are dry, before storing them.
- Store the vacuum cleaner & accessories in a dry room at above freezing temperatures. The ideal storage temperature is between 5°C and 30°C.
- Store the vacuum cleaner & accessories out of reach of children.

Transport

CAUTION!

Always set the On/Off switch 2 to Stop (0) & disconnect the 13A plug from the mains supply, before starting any cleaning and maintenance work! (See Fig. 1). Risk of electric shock.

When the vacuum cleaner is fitted with the wheels and casters, it can be easily rolled along flooring surfaces. To transport the vacuum cleaner, first switch off & remove the 13a plug. Then clean the vacuum cleaner and the accessories and then fit the accessories on the storage holders of the base and motor unit. Then safely support/store the mains cable whilst using the handle 1 (See Fig. 1), to move the vacuum cleaner to the new location.

CAUTION!

Ensure that the 13A plug is clear of the ground and does not drag along the ground or surfaces, during relocation or transport. Risk of electric shock or fire if the 13A plug is damaged.

Environmental protection

Dispose of soiled maintenance material and operating materials at the appropriate collection point. Recycle packaging material, metal and plastics.

Ordering replacement parts

Please quote the following data when ordering replacement parts:

- Type of machine (WZVC 1930 SA)
- Article number of the machine (2342197)
- Identification number of the machine (11016)
- Replacement part number or description of the part required
- Optional paper dirt bag (2371170 - 5pc pack)

For our latest prices and information please go to www.einhell.co.uk

Replacing the power cable

If the power cable for this equipment is damaged, it must be replaced by the authorised after-sales service personnel such as a qualified electrician or similarly trained person to avoid danger.

 **CAUTION!**

Always set the On/Off switch  to Stop (0) & disconnect the 13A plug from the mains supply, before starting any cleaning and maintenance work! (See Fig. 1). Risk of electric shock.

Technical data

Mains voltage	230V - 50Hz
Power input	1500W
Max. power consumption – Automatic socket-outlet	1490W
Max. total power consumption	2990W
Tank volume	30L
Weight	6.3kg
Wet vacuuming – max. water temperature	40°C
Protection type	IP24

Service information

We have competent service partners within the UK, whose contact details can be found on the www.einhell.co.uk website. These partners can help you with all service requests such as repairs, spare and wearing part orders or the purchase of consumables.



Please note that the following parts of this product are subject to normal or natural wear and that the following parts are therefore also required for use as consumables.

Category	Example
Wear parts*	Wheels, casters, combination nozzle, crevice nozzle, upholstery nozzle, electric tool adapter, etc.
Consumables*	Pleated filter, foam filter, paper dirt bag, etc.

* Not necessarily included in the scope of delivery.

In the event of defects or faults, please register the problem on the Internet at www.einhell.co.uk or by telephone to one of the After Sales Support telephone numbers. Please ensure that you provide a precise description of the problem and answer the following questions in all cases:

- Did the equipment work at all or was it defective from the beginning?
- Did you notice anything (symptom or defect) prior to the failure?
- What malfunction does the equipment have in your opinion (main symptom)? Describe this malfunction.

Declaration of conformity

Einhell Germany AG · Wiesenweg 22 · D-94405 Landau/Isar



Declaration of conformity

- D** erkl art folgende Konformit t gem   EU-Richtlinie und Normen f r Artikel
- GB** explains the following conformity according to EU directives and norms for the following product
- F** d clare la conformit  suivante selon la directive CE et les normes concernant l'article
- I** dichiara la seguente conformit  secondo la direttiva UE e le norme per l'articolo
- NL** verklaart de volgende overeenstemming conform EU richtlijn en normen voor het product
- E** declara la siguiente conformidad a tenor de la directiva y normas de la UE para el articulo
- P** declara a seguinte conformidade, de acordo com as diretiva CE e normas para o artigo
- DK** attesterer f lgende  verensst mmelse i medf r af EU-direktiv samt standarder for artikel
- S** f rklarar f ljande  verensst mmelse enl. EU-direktiv och standarder f r artikeln
- FIN** vakuuttaa, ett  tuote t ytt t  EU-direktiivin ja standardien vaatimukset
- EE** t endab toote vastavust EL direktiivile ja standarditele
- CZ** vyd v  n sledujic  prohl sen  o shod  podle sm rnice EU a norem pro v robek
- SLO** potrjuje sledečo skladnost s smernico EU in standardi za izdelek
- SK** vyd v  nasledujuce prehl senie o zhode podl  smernice E  a noriem pre v robok
- H** a cikkekhez az EU-ir nyvonal  s Norm k szerint a k vetkez  konformit st jelenti ki

- PL** deklaruje zgodno c wymienionego poniżej artykułu z nast puj cymi normami na podstawie dyrektywy WE.
- BG** декларира съответното съответствие съгласно Директива на ЕС и норми за артикул
- LV** paskaidro  adu atbilstību ES direkt vai un standartiem
- LT** apibūdina  j atitikim  EU reikalavimams ir prek s normoms
- RO** declar  urm toarea conformitate conform directivei UE  i normelor pentru articolul
- GR** d hl nai t n ak lou thi simm rfw thi simf wna me t n O n gia EK kai ta pr t pota gia to pr o on
- HR** potvrđuje sljedecu uskladenost prema smjernicama EU i normama za artikl
- BIH** potvrđuje sljedecu uskladenost prema smjernicama EU i normama za artikl
- RS** potvrđuje sledeću uskladenost prema smernicama EZ i normama za artikal
- RUS** следующим удостоверяется, что следующие продукты соответствуют директивам и нормам ЕС
- UKR** проголошує про зазначену нижче відповідність виробу директивам та стандартам ЄС на виріб
- MK** ja izjavu slednata soobraznost soglasno EU-direktivata i normite za artikli
- TR**  n n  ile ilgili AB direktifleri ve normlan gereğince a ağıda a ıklanan uygunluęu belirtir
- N** erkl rer f lgende samsvar i henhold til EU-direktivet og standarder for artikkel
- IS** L ysir uppfyllingu EU-reglna og annarra stađla v ru

Wet and Dry Vacuum Cleaner WZVC 1930 SA (WORKZONE)

- | | |
|--|--|
| <input type="checkbox"/> 2014/29/EU | <input type="checkbox"/> 2006/42/EC |
| <input checked="" type="checkbox"/> 2005/32/EC_2009/125/EC | <input type="checkbox"/> Annex IV
Notified Body:
Notified Body No.:
Reg. No.: |
| <input checked="" type="checkbox"/> 2014/35/EU | <input type="checkbox"/> 2000/14/EC_2005/88/EC |
| <input type="checkbox"/> 2006/28/EC | <input type="checkbox"/> Annex V |
| <input checked="" type="checkbox"/> 2014/30/EU | <input type="checkbox"/> Annex VI
Noise: measured L_{WA} = dB (A); guaranteed L_{WA} = dB (A)
P = KW; L/O = cm
Notified Body: |
| <input type="checkbox"/> 2014/32/EU | <input type="checkbox"/> 2004/26/EC
Emission No.: |
| <input type="checkbox"/> 2014/53/EC | |
| <input type="checkbox"/> 2014/68/EU | |
| <input type="checkbox"/> 90/396/EC_2009/142/EC | |
| <input type="checkbox"/> 89/686/EC_96/58/EC | |
| <input checked="" type="checkbox"/> 2011/65/EU | |

Standard references: EN 60335-1; EN 60335-2-2; EN 62233;
EN 55014-1; EN 55014-2; EN 61000-3-2; EN 61000-3-3

Landau/Isar, den 27.04.2016

Weichselgartner/General-Manager

Schunk/Product-Management

First CE: 12
Art.-No.: 23.421.97 I.-No.: 11016
Subject to change without notice

Archive-File/Record: NAPR014185
Documents registrar: Patrick Willnecker
Wiesenweg 22, D-94405 Landau/Isar

AFTER SALES SUPPORT

☎ GB 0151 649 1500 IRE 1890 946244

🌐 www.einhell.co.uk

45

Warranty

Warranty FAQ's

How do I claim for a warranty matter?

1. Fill in the Warranty card and send to the Einhell UK Ltd Address.
2. Contact Einhell UK Ltd, using one of the Telephone numbers for AFTER SALES SUPPORT.
3. Or contact via the Einhell UK Ltd website.

How do I obtain spare parts (not covered by the warranty)?

Make sure you have the information from the product data label, or page 42 of this manual, and then: -

1. Contact Einhell UK Ltd, using one of the Telephone numbers for AFTER SALES SUPPORT, and choose the option for Spare Parts.
2. Or contact via the Einhell UK Ltd website, where spares information & prices are available.

WARRANTY CARD

1500W ELECTRIC WET & DRY VACUUM CLEANER

Your details:

Name _____

Address _____

 _____ Email: _____

Date of purchase* _____

*We recommend you keep the receipt with this warranty card

Location of purchase _____


Description of malfunction:



If after contacting the manufacturer you are requested to return the faulty product please return the completed warranty card together with it.

Einhell UK Ltd
Unit 9, Stadium Court
Wirral International Business Park
Plantation Road
Bromborough
CH62 3QG

AFTER SALES SUPPORT

 **GB** 0151 649 1500 **IRE** 1890 946244

 www.einhell.co.uk

MODEL: **WZVC 1930 5A** PRODUCT CODE: **72115 09/2016**

Aftersales support available:
Monday - Thursday: 8:45am - 5pm
Friday: 8:45am - 3pm

Please add the Ser.-Nr. in the box below:



You will find the 7 character Ser.-Nr. here →

3
YEAR
WARRANTY

Warranty conditions

Dear Customer,

The **Aldi warranty** offers you extensive benefits in addition to your statutory rights:

Warranty period: 3 years from date of purchase.

Costs: Free repair/exchange.
No transport costs.

Hotline: 0151 649 1500 (or from Rep. Ireland 1890 946244).

ADVICE: Please contact our service hotline by phone or email. This allows us to provide support in the event of possible operator errors.

In order to make a claim under the warranty, please send us:

- A copy of the original purchase receipt and the completed warranty card.

The warranty does not cover damage caused by:

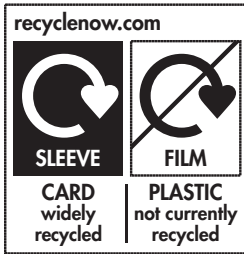
- **Accident** or **unanticipated events** (e.g. lightning, water, fire).
- **Improper use** or **transport**.
- **Disregard of the safety** and **maintenance instructions**.
- Other **improper treatment** or **modification**.

After the expiry of the warranty period, you still have the possibility to have your product repaired at your own expense. If the repair or the estimate of costs is not free of charge you will be informed accordingly in advance.

This warranty does not affect your statutory rights. The period of the warranty can only be extended in accordance with a legal standard. In countries where a (compulsory) warranty and/or spare part storage and/or a system for compensation are/is required by law, the statutory minimum conditions apply. In the event that a product is received for repair, neither the service company nor the seller will assume any liability for data or settings possibly stored on the product by the customer.

Recycling

The unit is supplied in packaging to prevent it being damaged in transit. This packaging is raw material and can therefore be reused or can be returned to the raw material stream.



The packaging material is partly recyclable. Dispose of the packaging in an environmentally friendly way adding to your recyclable waste bin, or by taking it to a public collection centre.

The unit and its accessories are made of various types of material, such as metal and plastic. Defective components must be disposed of as special waste. Ask your dealer or your local council.



For EU countries only

Never place any electric tools in your household refuse.

To comply with European Directive 2012/19/EU concerning old electric and electronic equipment and its implementation in national laws, old electric tools have to be separated from other waste and disposed of in an environment-friendly fashion, e.g. by taking to a recycling depot.

Recycling alternative to the demand to return electrical devices: As an alternative to returning the electrical device, the owner is obliged to cooperate in ensuring that the device is properly recycled if ownership is relinquished. This can also be done by handing over the used device to a returns centre, which will dispose of it in accordance with national commercial and industrial waste management legislation. This does not apply to the accessories and auxiliary equipment which are included with the used device.

The reprinting or reproduction by any other means, in whole or in part, of documentation and papers accompanying products is permitted only with the express consent of Einhell UK Ltd.

AFTER SALES SUPPORT

  0151 649 1500  1890 946244

 www.einhell.co.uk



Live a lot Spend a little

Great care has gone into the event of production as possible once an occurrence please contact us to be found both in the UK and Ireland.

If you are not able to find a store where it is available, please contact us.



PRODUCED IN CHINA

ALDI STORES LTD
WARWICKSHIRE

ALDI STORES (IRELAND) LTD
PO BOX 726, NAAS
Visit us at www.aldi.ie

AFTER SALES SUPPORT

1890 962666
015 729 1500
www.einhell.co.uk



WZVC 10035A PRODUCT CODE: 72115 09.2016