

Illustration: Greenhouse with 5 panels / **Figure:** Serre à 5 pans / **Afbeelding:** serre met 5 velden
Bild: Växthus med fem fält / **Figura:** serra a 5 pannelli / **Obrázek:** Skleník 5 polí / **Obrázok:** Skleník s 5 poľami

- | | | |
|-----------|--|-----------|
| GB | Assembly Instructions Part 1: Aluminum profiles | page 3 |
| F | Instructions de montage, partie 1: Profils en aluminium | page 13 |
| NL | Montage-instructies deel 1: aluminiumprofielen | pagina 23 |
| S | Monteringsanvisningar del 1: Aluminiumprofiler | sida 33 |
| I | Istruzioni per il montaggio Parte 1: Profilati in alluminio | pagina 43 |
| CZ | Montážní návod část 1: Hliníkové profily | strana 53 |
| SK | Návod na montáž časť 1: Hliníkové profily | strana 63 |



GB Assembly and safety information / list of tools

Dear customer,

Thank you for choosing an Einhell product. We hope that you enjoy using your greenhouse. This aluminum greenhouse is a product which has been designed with the greatest of care. Not only does it feature extremely sturdy profiles, but its compact and modular design allows you to assemble it in next to no time.

These assembly instructions are split into two parts – „Aluminum Profiles“ and „Plastic Web Panels“. Before you set up the greenhouse, please take the time to **carefully read through** both parts of these assembly instructions to avoid damaging the equipment or setting it up incorrectly. Once you have finished setting up the greenhouse, please keep the instructions safe for future reference.

Aluminum profiles:

The individual article numbers are stamped into the relevant aluminum profiles. Please check the stamped numbers before assembling individual profiles.

Please ensure that all packaging materials are recycled through the appropriate channels.

List of tools

You will require the following tools for assembly and installation:



Socket wrench
◻ size 7
◻ size 10



Flat blade screwdriver
(size 2-3)



Phillips screwdriver
(size 2-3)



Allen key
(size 4)



Open-ended spanner
or ring spanner
(size 10 / 13)



Rubber mallet



Ø 2.0 mm drill bit



Drill or cordless screwdriver



Tape measure
or folding rule



Spirit level



Safety stepladder



Scissors

Important safety instructions for installation

- We recommend that the installation should be performed by **2 persons**.
- To prevent the risk of accidents, please **keep children at a safe distance** while installing the greenhouse.
- Always wear **protective gloves** during installation of the aluminum profiles. **This will protect your hands against the risk of being cut or trapped.**
- Once you have fully assembled the greenhouse, retighten all of the nuts and bolts **with an open-ended spanner or a ring spanner**.

Note

The manufacturer cannot be held liable for damages due to storm, wind, water or snow loads. No guarantee is offered in terms of compensation for consequential damage or financial losses. We reserve the right to make changes to the product as part of our process of continuous technical improvement. This may result in minor differences in the descriptions and/or illustrations.

If any component damage is evident then the affected components should be replaced with genuine replacement parts. A complete list of individual replacement parts can be found in part 2 of the assembly instructions.

! Please note:

All bags of components for installation and assembly contain spare nuts and bolts.

When assembling the greenhouse, make sure that the **profiles are all perfectly square**.

Check the horizontal and vertical positions of the profiles with a **spirit level**. Make sure that all profiles are assembled in their **defined end positions, pushed together as far as they will go**.

! Notes on the assembly instructions:

In the assembly instructions, the **5-panel model** (2 panels + 3 panels) serves as a reference model.

The overview diagrams all show this model. The other greenhouses are only different to this model in terms of the number of side panels. If you have purchased one of the other models, please refer to the relevant assembly instructions for your greenhouse.

Information on use / base / base diagram

Information on use of the greenhouse

- All bolts, screws and nuts should be checked every three months and retightened if required.
- After a storm or high winds please check all bolts, screws and nuts and ensure that the plastic web panels are correctly seated.
- In the event of a storm or heavy winds please close the doors and windows of your greenhouse.
- Suitable storm anchoring (not included) should be used to additionally secure the greenhouse in areas particularly prone to storms.
- At temperatures below freezing (0 °C), never strike the plastic web panels with hard objects.
- Snow should be cleared from the roof of the greenhouse on a regular basis to prevent dangerous snow loads from building up. A 10 cm layer of snow or a 2 cm layer of ice can already be dangerous.
- The roof of your greenhouse is not designed to be walked on.
- Never use any naked flames or similar in the greenhouse. Only use approved heating equipment.
- Always make sure that you comply with the local building regulations in your area.

Base

Please note: The greenhouse does not have a separate base profile. You can erect your greenhouse on a previously prepared brickwork or concrete base (see base diagram), or you can assemble it on a steel base (available as an optional accessory).

! Important:

If you do not want to erect your greenhouse on a masonry or concrete baseplate, ensure that your greenhouse is built on level, sturdy ground. Check levelness using a water level!

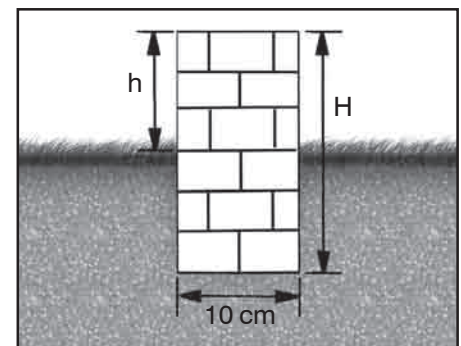
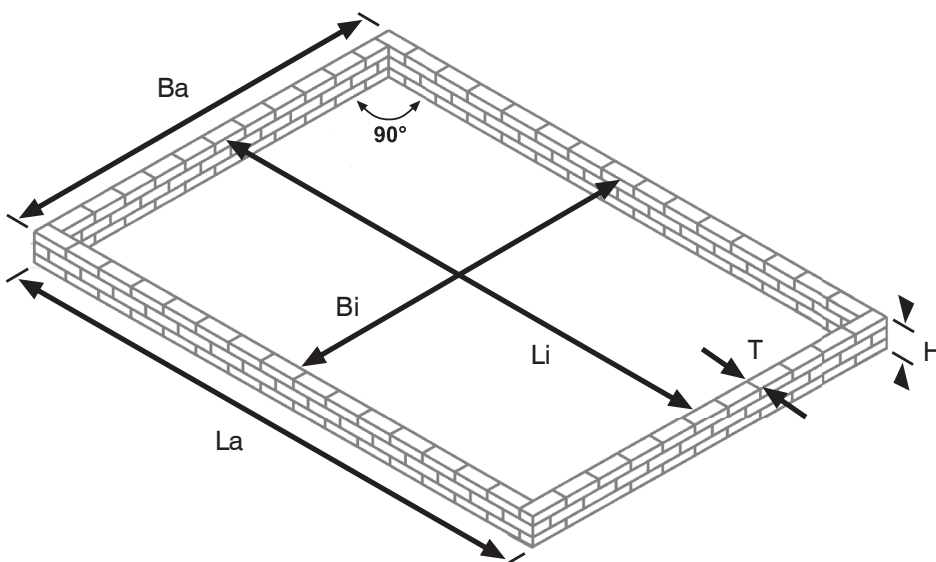
Concrete / brickwork base

It is very important for correct assembly of the greenhouse that the right angles in the base are all perfectly square. The base must be dead level, with perfectly square corners. Please use a spirit level to check. Please note: the base should be deep enough to be frostproof.

Base diagram

Concrete or brickwork base

| Greenhouse | La (cm) | Li (cm) | Ba (cm) | Bi (cm) | T (cm) | H (cm) |
|-----------------|---------|---------|---------|---------|--------|------------------------|
| 3 panels | 224 | 204 | 259 | 239 | 10 | Frost-proof depth (30) |
| 4 panels | 295 | 275 | 259 | 239 | 10 | Frost-proof depth (30) |
| 5 panels | 366 | 346 | 259 | 239 | 10 | Frost-proof depth (30) |
| 6 panels | 437 | 417 | 259 | 239 | 10 | Frost-proof depth (30) |
| 7 panels | 508 | 488 | 259 | 239 | 10 | Frost-proof depth (30) |



The base must be **at least 10 cm wide (T)** with a height (as required) of (h). The base must be dead level, with **perfectly square** corners.

Packing list - aluminum profiles

The aluminum profiles for your greenhouse are shipped in several packages.

3 panels

Aluminum profiles

| Package no. | Contents |
|------------------|---|
| 36.505.30 | Aluminum profiles - front wall with single door |
| 36.505.32 | Aluminum profiles - rear wall |
| 36.505.34 | Aluminum profiles - 3 panels |

4 panels with single door

Aluminum profiles

| Package no. | Contents |
|------------------|---|
| 36.505.30 | Aluminum profiles - front wall with single door |
| 36.505.32 | Aluminum profiles - rear wall |
| 36.505.33 | Aluminum profiles - 2 panels |
| 36.505.33 | Aluminum profiles - 2 panels |
| 36.505.35 | Set of connecting elements |

4 panels with double door

Aluminum profiles

| Package no. | Contents |
|------------------|---|
| 36.505.31 | Aluminum profiles - front wall with double door |
| 36.505.32 | Aluminum profiles - rear wall |
| 36.505.33 | Aluminum profiles - 2 panels |
| 36.505.33 | Aluminum profiles - 2 panels |
| 36.505.35 | Set of connecting elements |

5 panels with single door

Aluminum profiles

| Package no. | Contents |
|------------------|---|
| 36.505.30 | Aluminum profiles - front wall with single door |
| 36.505.32 | Aluminum profiles - rear wall |
| 36.505.33 | Aluminum profiles - 2 panels |
| 36.505.34 | Aluminum profiles - 3 panels |
| 36.505.35 | Set of connecting elements |

5 panels with double door

Aluminum profiles

| Package no. | Contents |
|------------------|---|
| 36.505.31 | Aluminum profiles - front wall with double door |
| 36.505.32 | Aluminum profiles - rear wall |
| 36.505.33 | Aluminum profiles - 2 panels |
| 36.505.34 | Aluminum profiles - 3 panels |
| 36.505.35 | Set of connecting elements |

6 panels

Aluminum profiles

| Package no. | Contents |
|------------------|---|
| 36.505.31 | Aluminum profiles - front wall with double door |
| 36.505.32 | Aluminum profiles - rear wall |
| 36.505.34 | Aluminum profiles - 3 panels |
| 36.505.34 | Aluminum profiles - 3 panels |
| 36.505.35 | Set of connecting elements |

7 panels

Aluminum profiles

| Package no. | Contents |
|------------------|---|
| 36.505.31 | Aluminum profiles - front wall with double door |
| 36.505.32 | Aluminum profiles - rear wall |
| 36.505.33 | Aluminum profiles - 2 panels |
| 36.505.33 | Aluminum profiles - 2 panels |
| 36.505.34 | Aluminum profiles - 3 panels |
| 36.505.35 | Set of connecting elements |
| 36.505.35 | Set of connecting elements |

Notes on the assembly steps

To assemble the greenhouse, please follow the **sequence of steps and the illustrations shown in the German assembly instructions**. This accompanying booklet contains all of the important assembly information and any other important text in your language. The examples below show how the individual assembly steps and illustrations are laid out in the German instructions.

Overview

The right-hand text column contains an overview for each assembly step. The parts used in a given step are shown slightly darker to highlight them, and circles are used to indicate areas for which there is a detail drawing. In part these symbols are also used for assembly previews and reference diagrams for checking.

Assembly step

List of parts

At the start of each assembly step you will see a table containing a list of the parts required for this step. The table is divided into six columns: Article no., item no., picture, article description, size or length, quantity required. From step 12 on, varying quantities of different parts are required according to the greenhouse model purchased. In these tables, the quantity specifications are split into 5 columns (for greenhouse models with 3 to 7 panels). Use the stamped-on article number, the picture and the length/size information to identify the relevant parts.

Assembly note

From step 12 onwards, some of the steps need to be repeated different numbers of times. This depends on the greenhouse model purchased (3 panels to 7 panels). Please repeat these steps the appropriate number of times for your model.

Profile views

The detail drawings often include additional profile views for ease of understanding.

Tools

The tools required in a particular step are shown here.

Repetitions

This field shows the number of repetitions if the processes in the detail drawings need to be carried out several times.

19 Dachstreben montieren

| Artikel-Nr. | Pos. | Form | Benennung | Größe (mm) | Menge | | | | |
|-------------|------|------|-----------------------------|------------|-----------|-----------|-----------|-----------|-----------|
| | | | | | 3 Fenster | 4 Fenster | 5 Fenster | 6 Fenster | 7 Fenster |
| 84.080.08 | 1 | | Seitenstrebe | 1395 | 4 | 6 | 8 | 10 | 12 |
| 50.041.90 | 2 | | Sechskantschraube | M6x12 | 10 | 24 | 28 | 32 | 46 |
| 51.048.11 | 3 | | Sechskantmutter mit Flansch | M6 | 10 | 24 | 28 | 32 | 46 |

19/a

19/b

Hinweis:
19/a Befestigen Sie zunächst die in den Schritten **19/a** und **19/b** vormontierten Seitenstreben an den Knotenblechen Seite. Legen Sie die Streben von außen zwischen First und Regenrinne. Lockern Sie die oben vormontierte Schraube an der Seitenstrebe und schieben sie in die Aussparung am First. Ziehen Sie die Mutter wieder fest.

Montagehinweis:

| | | | |
|---|--------------|---|--------------|
| 3 | 4x montieren | 4 | 4x montieren |
| 5 | 6x montieren | 6 | 6x montieren |
| 7 | 8x montieren | 8 | 8x montieren |

Seite 04

2 Eckprofil montieren

| Artikel-Nr. | Pos. | Form | Benennung | Größe (mm) | Menge |
|-------------|------|------|-----------------------------|------------|-------|
| | | | | | |
| 50.041.90 | 2 | | Sechskantschraube | M6x12 | 12 |
| 51.048.11 | 3 | | Sechskantmutter mit Flansch | M6 | 12 |

2/a

2/b

Übersicht (Vorderwand):

Werkzeug:

 ○ SW 10

Hinweis:
2/a Schieben Sie in eine Führungsschiene zwei Schrauben jeweils zirka 5 cm von beiden Enden entfernt. In der anderen werden vier Schrauben vormontiert; jeweils zwei zirka 30 cm und zwei zirka 5 cm vom Rand entfernt (vgl. Detailansichten).
2/b Stellen Sie das Eckprofil auf das Bodenprofil. Achten Sie darauf, dass die Führungsschiene mit den vier vormontierten Schrauben zum Bodenprofil zeigt (vgl. Kontrollansicht auf der nächsten Seite).

Seite 12



Important note:

The following pages contain the accompanying texts in your language. They are sorted according to the **page numbers (German instructions) and by assembly step** to make it easier to follow the corresponding texts in the German instructions.

Installation notes:

Page 7

Installation of the front wall assembly

1 Pre-assembly of the floor profile

Important note: For ease of handling, the front and rear walls should be assembled flat on the ground.

Bottom illustration: Assembly preview of the front wall with single door

Page 8

Top illustration: Front wall with double door

1/a: Slide the guide rails of the two floor profiles each into one connecting part up to the corresponding cutouts (see illustration.). Please refer to the relevant assembly instructions for your greenhouse for the exact position.

Page 9

1/c: Attach the floor gusset plate to the floor profile using an additional bolt. Make sure that this bolt is inserted on the **left** on the gusset plate mounted on the left and on the **right** on the gusset plate mounted on the right (see assembly preview details A and B).

Page 11

1/g: Make sure that the floor corner connectors are flush with the floor profile as shown in Fig. 1/g.

Page 12

2 Assembly of the corner profiles

Page 13

Bottom illustration: Reference diagram (floor profile with corner profiles): Internal view

Page 14

3 Pre-assembly of the gable profiles

Top parts list: Front wall with single door

Bottom parts list: Front wall with double door

Important note: This step is repeated later on during assembly of the rear wall (see „Assembly of the rear wall assembly“). Please make sure that the rear wall is assembled in the same way as the front wall. Use the corresponding components (parts list: front wall with double door) and follow the corresponding steps.

Bottom illustration: Front wall with single door

Assembly preview / reference diagram (gable profiles): Internal view

Observe the correct positions for the bolts.

Page 15

Top illustration: Front wall with double door
Assembly preview / reference diagram (gable profiles): Internal view

Observe the correct positions for the bolts.

Fig. 3/a: Front wall with single door

Fig. 3/b: Front wall with double door

Page 16

Important note: Make sure that the assembly panels are aligned in the way shown in the diagrams 3/c and 3/d. The assembly panels are not properly aligned until the ridge and the rain guttering are installed in a subsequent step.

Page 17

Important note: Make sure that the two (front wall with single door) or three (front wall with double door) **pre-assembled bolts in the middle** face inward. Please check the corresponding reference diagrams on the pages beforehand if you are unsure.

Page 18

Inspection page for the front wall with single door

Before progressing to step 4, please use the diagram below to check that all of the bolts required for the next step have been installed.

Illustration: Internal view – front wall with single door

Page 19

Inspection sheet for the front wall with double door

Before progressing to step 4, please use the diagram below to check that all of the bolts required for the next step have been installed.

Illustration: Internal view – front wall with double door

Page 20

4 Assembly of the gable profiles on the corner profiles

5 Assembly of the crossmember

Important note: If you have purchased a greenhouse with a single door then assemble the crossmember as described in the steps 5/a and 5/b. For a greenhouse with a double door, follow steps 5/c and 5/d to assemble the crossmember.

Figs. 5/a + 5/b: Front wall with single door

Fig. 5/a: Make sure that the crossmember is installed symmetrically.

Figs. 5/c + 5/d: Front wall with double door

Fig. 5/c: Make sure that the crossmember is installed symmetrically.

6 Assembly of the roof strut**7 Assembly of the door struts on a greenhouse with a single door**

If you have purchased a greenhouse with a **double door**, skip step 7 and continue with step 8 „Assembly of the door struts on a greenhouse with a double door“.

7/a: Install two bolts at one end of each of the two door hinges, with one bolt around 60 cm and the other around 5 cm from the edge. At the other end attach one bolt around 30 cm and another around 5 cm from the edge.

7/c: Slide the four pre-assembled hinge blades into the guide rail of **one** of the door hinges. Make sure that you screw down the hinge blades as shown in Fig. 7/d.

7/e: Two countersunk screws (item 3) are **loosely** screwed into the two door strikers with M4 hexagon nuts (item 4).

7/h: Working from the **outside**, position the door hinge between the floor profile and the crossmember and secure it at the top using the pre-assembled hexagon bolt. Make sure that the hinges face towards the middle.

Important note: The door hinge with the hinges is inserted on the **left** (viewed from the inside), the door

hinge with the striker plates on the **right**. Please refer to the reference diagram on the next page.

Reference diagram – internal view

Illustration: Left-hand profile: door hinge with hinges
Right-hand profile: door hinge with striker plates

Note: The cutouts on the floor profile and the crossmember marked with an X in the reference diagram stay free. Make sure that the door profile with the hinges and the door profile with the striker plates are inserted as shown in the reference diagram (**internal view!**).

8 Assembly of the door struts on a greenhouse with a double door

If you have purchased a greenhouse with a **single door**, skip step 8 and continue with step 9 „Assembly of the wind bracing and struts“.

8/a: Install three bolts at one end of each of the two door hinges, with one bolt around 60 cm, one bolt around 30 cm and the other around 5 cm from the edge. At the other end attach one bolt around 30 cm and another around 5 cm from the edge.

8/c + 8/d: Slide **four** pre-assembled hinge blades into the guide rail of **one** of the door hinges (see Fig. 8/c). **Three** hinge blades are attached to the **second** door hinge. Make sure that you screw down the hinge blades as shown in Fig. 8/d, so that the door can be subsequently inserted with the matching counterparts.

8/e: Make sure that the hinges face towards the middle.

Important note: The door hinge with the four pre-assembled hinges is inserted on the **left** (viewed from the inside), the door hinge with the three hinges on the **right**. Please refer to the reference diagram on page 24 of the German assembly instructions.

Reference diagram – internal view

Note: The cutouts on the floor profile and the crossmember marked with an X in the reference diagram stay free. Make sure that you insert the door profiles with the hinges as shown in the reference diagram (**internal view!**).

Page 35

9 Assembly of the wind bracing and struts

Top parts list: Front wall with single door

Bottom parts list: Front wall with double door

Note: Make sure that the struts are installed horizontally. If necessary, use a spirit level to check.

Page 36

Fig. 9/c: Front wall with single door

Page 37

Fig. 9/c: Front wall with double door

9/d: Install the two bottom struts so that the angled wind bracing fits in front of the one strut and behind the other (see reference diagram on the next page).

Page 38

Reference diagram (Fig. – Front wall with single door)

Note: Make sure that the struts are installed horizontally. If necessary, use a spirit level to check. Carefully tighten the bolts on the wind bracing and the struts. This provides the necessary stability for the front wall.

Page 39

Installation of the rear wall assembly

Repeat steps 1 to 6.

Please note: In step 1 „Pre-assembly of the floor profile“, use the **floor gusset plate (art. no. 84.620.21)** in place of the **mounting bracket, short (art. no. 84.631.51)** Working from the outside, attach the gusset plate to the floor profile at the two upper holes using two hexagon bolts and nuts.

After step 6 in the assembly go straight to step 10.

10 Assembly of the struts (rear wall)

Page 40

10/c: Make sure that the strut with the three pre-assembled bolts is inserted in the middle.

Page 42

Reference diagram (internal view)

Note: The cutouts on the floor profile and the crossmember marked with an X in the reference diagram stay free. Make sure that the strut with just three pre-assembled bolts is inserted in the middle! Check the distances between the bolts.

Page 43

11 Installation of the wind bracing and struts on the rear wall

Note: Make sure that the struts are installed horizontally. If necessary, use a spirit level to check.

Page 45

11/d + 11/e: Install the two bottom struts (DT) (602 mm) in such a way that the angled wind bracing fits in front of the one strut and behind the other (see Fig. 11/e).

Page 46

Note: Make sure that the struts are installed horizontally. If necessary, use a spirit level to check. Carefully tighten the bolts on the wind bracing and the struts. This provides the necessary stability for the front wall.

Page 47

12 Pre-assembly of the side floor profile

Middle illustration: Assembly preview of a greenhouse with 3 panels

Bottom illustration: Assembly preview of a greenhouse with 4 panels

Page 48

Top illustration: Assembly preview of a greenhouse with 5 panels

Middle illustration: Assembly preview of a greenhouse with 6 panels

Bottom illustration: Assembly preview of a greenhouse with 7 panels

Page 49

Important note: If you have purchased a **3-panel** greenhouse, skip steps 12/a and 12/b and continue with assembly step 12/c.

Page 50

Important note: If you have purchased a **steel base** (optional accessory) for your **3-panel greenhouse**, then you will need to install additional bolts on the floor profile. If you are not using a steel base, please skip step 12/c and continue with assembly step 12/d.

Fig. 12/c: Floor profile for a greenhouse with 3 panels

12/c: Slide three bolts into each floor profile guide rail of the 3-panel greenhouse (slide the bolts to the middle – see assembly preview). This will be needed

later on to attach it to the steel base (optional accessory). If you are not using a steel base then you do not need to fit these bolts.

12/d: Slide one bolt into each pre-assembled floor profile guide rail (bolt should be approx. 10 cm from the edge – see assembly preview).

Page 51

13 Pre-assembly of the rain guttering

Important note for 3-panel greenhouses: If you have purchased a **3-panel greenhouse**, skip step 13 and continue with assembly step 15. No pre-assembly of the rain guttering is required on 3-panel greenhouses.

Bottom illustration: Assembly preview of a greenhouse with 4 panels

Page 52

Top illustration: Assembly preview of a greenhouse with 5 panels

Middle illustration: Assembly preview of a greenhouse with 6 panels

Bottom illustration: Assembly preview of a greenhouse with 7 panels

Page 55

14 Pre-assembly of the ridge

Important note for 3-panel greenhouses: If you have purchased a **3-panel greenhouse**, skip step 14 and continue with assembly step 15. No pre-assembly of the ridge profile is required on 3-panel greenhouses.

Middle illustration: Assembly preview of a greenhouse with 4 panels

Bottom illustration: Assembly preview of a greenhouse with 5 panels

Page 56

Top illustration: Assembly preview of a greenhouse with 6 panels

Middle illustration: Assembly preview of a greenhouse with 7 panels

14/a: Slide the bolt with the **fluted side first** into the designated opening of the ridge profile.

Page 58

15 Assembly of the floor profile on the front and rear walls

15/a: Slide the floor profile which was already pre-assembled in step 12 (side) into the corner cover on the corner profile.

Important note: If you have purchased a **5-panel house**, the side profiles must be assembled in such a way that the two shorter profiles (1414 mm) face the front wall.

Page 59

16 Assembly of the rain guttering profile on the front and rear walls

16/a: Slide the rain guttering profile as far as it will go onto the front or rear wall. It may be necessary to realign the corner and gable profiles to allow the rain guttering to be inserted with a perfect fit. To do this you will need to loosen the bolts on the assembly panel.

Important note: If you have purchased a **5-panel house**, the rain guttering profiles must be assembled in such a way that the two shorter profiles (1414 mm) face the front wall.

Page 60

17 Assembly of the ridge profile on the front and rear walls

17/a: Slide the ridge as far as it will go onto the front or rear wall. It may be necessary to realign the gable profiles to allow the rain guttering to be inserted with a perfect fit. To do this you will need to loosen the bolts on the assembly panel.

Important note: If you have purchased a **5-panel house**, the ridge profiles must be assembled in such a way that the shorter profile (1414 mm) faces the front wall.

Page 61

18 Assembly of the side struts

18/a: On the side struts, install one bolt approx. 5 cm from both the top and bottom edge. Please check the exact quantity required for your particular greenhouse model.

18/b: On the remaining side struts, install one bolt approx. 5 cm from the bottom edge. Two bolts are installed at the top, one approx. 10 cm, the other approx. 5 cm from the edge.

Page 62

18/c: Assemble the side struts with the four pre-assembled bolts (see step 18/b) on the gusset plates on the floor profile and the rain guttering.

Page 64

19 Assembly of the roof struts

Note: The side struts (roof) are inserted in the next step. Please make sure that you refer to the relevant

reference diagrams for your greenhouse and compare the **pre-assembly steps** (steps 19/a to 19/d) with these illustrations before you insert the struts. The roof struts with the **bolts which have been pre-assembled in the middle** (see Fig. 19/b and 19/d) will be required later on for assembly of the window crossmember and the window. The illustrations below show at which points the windows are inserted in your greenhouse.

Bottom illustration: Reference diagram for the roof: 3-panel greenhouse

Key:

- Position of the pre-assembled bolts
- 1 bolt

Page 65

Top illustration: Reference diagram for the roof: 4-panel greenhouse

Bottom illustration: Reference diagram for the roof: 5-panel greenhouse

Key:

- Position of the pre-assembled bolts
- 1 bolt
- 2 bolts
- Position of the already assembled gusset plates on the ridge and the rain guttering

Page 66

Top illustration: Reference diagram for the roof: 6-panel greenhouse

Bottom illustration: Reference diagram for the roof: 7-panel greenhouse

Key:

- Position of the pre-assembled bolts
- 1 bolt
- 2 bolts
- Position of the already assembled gusset plates on the ridge and the rain guttering

Page 67

19/a: Please make sure you follow the assembly instructions and refer to the reference diagram for your particular greenhouse.

Page 69

19/e: First attach the side struts already assembled in steps 19/c and 19/d to the gusset plates (side). Insert the struts from the outside between the ridge and the rain guttering.

Page 71

20 Assembly of the window rabbet profile

Page 72

20/b: Insert the window rabbet profile from inside between the side struts (roof) with the **bolts already pre-assembled in the middle** (see reference diagrams in step 19). Make sure that the cutouts for the bolts face downward (see Fig. 20/c).

Page 73

21 Assembly of the gusset plates

Important note: If you have purchased a **3-panel greenhouse**, skip step 21 and continue with assembly step 22.

21/a: Attach the gusset plates at an angle of 120° to the struts on which the bolts have been pre-assembled.

Page 74

21/b: To finish with, attach a gusset plate at an angle of 120° to the roof struts on which the bolts have been pre-assembled.

Page 75

22 Assembly of the side wind bracing

Note: During assembly of the side wind bracing, please make sure that you insert these wind bracing elements as described in the relevant **assembly previews / reference diagrams (side)**.

Bottom illustration: Assembly preview / reference diagram (side): 3-panel greenhouse

Page 76

Top illustration: Assembly preview / reference diagram (side): 4-panel greenhouse

Bottom illustration: Assembly preview / reference diagram (side): 5-panel greenhouse

Page 77

Top illustration: Assembly preview / reference diagram (side): 6-panel greenhouse

Bottom illustration: Assembly preview / reference diagram (side): 7-panel greenhouse

Page 79

23 Assembly of the roof wind bracing

Note: During assembly of the roof wind bracing, please make sure that you insert the wind bracing elements as described in the relevant **assembly previews / reference diagrams (roof)**. This is essential for providing the required stability for the greenhouse.

The delivery package for the **3-panel, 5-panel** and **6-panel greenhouse** contain more wind bracing elements than you will need for assembly.

Bottom illustration: Assembly preview / reference diagram (roof): 3-panel greenhouse

Page 80

Top illustration: Assembly preview / reference diagram (roof): 4-panel greenhouse

Bottom illustration: Assembly preview / reference diagram (roof): 5-panel greenhouse

Page 81

Top illustration: Assembly preview / reference diagram (roof): 6-panel greenhouse

Bottom illustration: Assembly preview / reference diagram (roof): 7-panel greenhouse

Important note: Please note that on a 7-panel greenhouse no wind bracing is inserted between the two middle segments.

Page 83

Installation of the base assembly

Important note: Before proceeding to **part 2** of the assembly instructions, you will need to position your greenhouse in its final position and attach it to its **base** (concrete, brickwork or steel base). Later on it will no longer be possible to move the greenhouse. If you are positioning your greenhouse on a **concrete / brickwork base**, continue with this assembly step. If you have purchased the **steel base** (not included as part of the standard delivery package), then install it as described in the assembly instructions for the steel base.

Anchoring on a concrete / brickwork base

The following additional installation materials are required for anchoring the greenhouse on a concrete or brickwork base (not included in the delivery package):

- **Anchor fittings / dowels**
- **Hexagon-head wood screws**
- **Washers**

You will require 1 each of these items for every floor corner connector and 2 each for every floor gusset plate and the mounting bracket.

Please note: Use **anchor fittings / dowels** which are suitable for a concrete / brickwork base. Holes need to be pre-drilled in the base for the anchor fittings / dowels.

To mark the holes, position the greenhouse on the base and mark the positions of the holes for the mounting brackets.

Page 86

Optional accessories (not included in the delivery package)

Art. no. 36.405.90: Anchoring set BD4 (4 x ground anchors)

Art. no. 36.405.91: Anchoring set BD6 (6 x ground anchors)

Note: The anchoring set is used to secure the greenhouse or the steel base in the ground. Please refer to the overviews below for information about the number of anchoring sets required for your particular greenhouse. The positions at which the individual ground anchors are secured are marked with circles. In order to fix the exact positions of the ground anchors, position the greenhouse in its final position. Then mark the positions where the ground anchors will be installed.

Middle illustration: View from above, 3-panel greenhouse
Anchor sets required: 2 x sets BD4 (art. no. 36.405.90)

Bottom illustration: View from above, 4-panel greenhouse
Anchor sets required: 1 x set BD4 (art. no. 36.405.90) + 1 x set BD6 (art. no. 36.405.91)

Page 87

Top illustration: View from above, 5-panel greenhouse
Anchor sets required: 1 x set BD4 (art. no. 36.405.90) + 1 x set BD6 (art. no. 36.405.91)

Middle illustration: View from above, 6-panel greenhouse
Anchor sets required: 1 x set BD4 (art. no. 36.405.90) + 1 x set BD6 (art. no. 36.405.91)

Bottom illustration: View from above, 7-panel greenhouse
Anchor sets required: 1 x set BD4 (art. no. 36.405.90) + 1 x set BD6 (art. no. 36.405.91)

F Instructions de montage et consignes de sécurité / liste d'outils

Chère Cliente, Cher Client,

Merci de faire confiance aux produits de Einhell. Nous vous souhaitons bien du plaisir avec votre serre. Votre serre en aluminium a été construite avec toute la minutie nécessaire. Ses profilés sont particulièrement robustes. Sa conception compacte et sa structure modulaire permettent un montage très rapide.

Vos instructions de montage seront divisées en deux parties: «profilés en aluminium» et «plaques nervurées». Lisez **absolument** les deux parties de ces instructions entièrement avant de monter la serre, elles vous permettront d'éviter toute erreur de montage ou détérioration! Conservez minutieusement ces instructions, même après le montage!

Profilés en aluminium:

Les numéros d'article de chaque pièce sont gravés dans les profilés en aluminium respectifs. Contrôlez tout d'abord le numéro gravé avant de monter les profils.

Veillez éliminer le matériel d'emballage aux points de collecte des matériaux recyclables.

Liste des outils

Vous aurez besoin comme outil de montage de ce qui suit :



clé à douille
○ taille 7
○ taille 10



tournevis à fente
longue (taille 2-3)



tournevis pour
empreinte cruciforme
(taille 2-3)



clé à six pans
creux (taille 4)



clé à fourche
ou polygonale



marteau en
caoutchouc



foret Ø 2,0 mm



perceuse ou
tournevis sans fil



mètre à ruban
ou pliant



niveau à bulle
d'air



tréteau de
sécurité



des ciseaux

Consignes de sécurité importantes relatives au montage

- Nous recommandons d'effectuer le montage avec **2 personnes**.
- Pour éviter des accidents, évitez que des **enfants** soient à proximité immédiate pendant le montage.
- Lors du montage des profilés en aluminium, portez des **gants de protection! Risque de se couper et d'écrasement!**
- Resserrez une fois encore à fond tous les raccords vissés **avec la clé à fourche ou polygonale après avoir monté entièrement la serre!**

Remarque

Le producteur décline toute responsabilité pour les dommages dus aux tempêtes, au vent, au poids de l'eau et de la neige. Nous n'assurons aucune garantie de substitution pour les dommages indirects et les biens. Nous nous réservons des modifications en raison du perfectionnement technique. Il est ainsi possible que certaines choses diffèrent par rapport aux représentations. Lorsque des pièces sont visiblement endommagées, il faut les remplacer par des pièces de rechange originales. Vous trouverez une liste complète des pièces de rechange dans la partie 2 des instructions de montage.

Attention!

Vous trouverez dans tous les sacs de montage des vis et écrous supplémentaires qui vous serviront de rechange!

Lorsque vous montez la serre, veillez à la **perpendicularité des profilés!**
Contrôlez toujours la position horizontale ou verticale des profilés à l'aide **d'un niveau à bulle**.
Veillez à prémonter les profilés **toujours sur la butée dans les positions finales définies**.

Remarque concernant les instructions de montage:

dans ces instructions de montage, le **modèle 5 pans** (2 pans + 3 pans) sert de référence. C'est ce modèle qui est représenté à chaque fois dans les plans d'ensemble. La seule différence par rapport aux autres serres, c'est le nombre de panneaux latéraux. Si vous avez acheté un autre modèle, veuillez respecter les consignes de montage respectives pour votre serre.

Consignes d'utilisation / fondation / plan de la fondation

Remarques concernant l'utilisation

- Contrôlez tous les trois mois les raccords vissés et resserrez-les le cas échéant.
- Contrôlez si les raccords vissés tiennent toujours après un fort coup de vent ou une tempête et si les plaques nervurées sont correctement en place.
- En cas de vent fort et de tempête, fermez les fenêtres et les portes de votre serre.
- Dans les régions à risque de tempête, consolidez la serre en employant un ancrage de tempête adéquat (non compris dans la livraison).
- Ne donnez pas de coup sur les plaques nervurées avec des objets durs lorsque la température est plus basse que le point de congélation (0 °C).
- Libérez le toit de votre serre de la neige tombée afin d'éviter qu'une charge de neige dangereuse ne soit présente. Une couche de neige de 10 cm ou encore une couche de glace de 2 cm de hauteur peut déjà être dangereuse.
- Le toit de votre serre n'est pas prévu pour que l'on marche dessus!
- N'utilisez aucun feu ouvert ou autre chose du même genre dans la serre ! Utilisez exclusivement des appareils de chauffage autorisés!
- Respectez le code de la construction et de l'habitation courant du pays.

Fondation

Attention: la serre ne possède aucun profilé de fondation spécial. Vous pouvez placer votre serre sur une fondation de maçonnerie ou en béton réalisée préalablement (voir le plan de fondation) ou monter votre serre sur une fondation en acier (disponible en accessoire).



Attention:

Si vous ne voulez placer votre serre sur aucune fondation de maçonnerie ou de béton, veillez à la monter sur un support fixe et plan. Vérifiez la planéité avec le niveau à bulle d'air!

Fondation en béton / maçonnerie

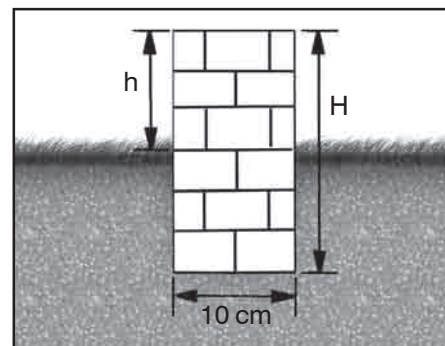
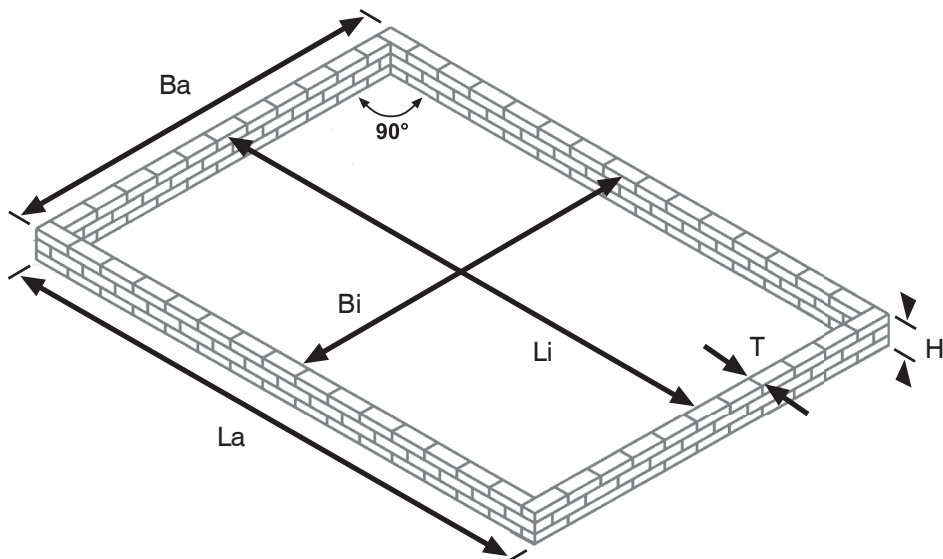
La perpendicularité de la fondation est très importante pour le montage de la serre. La fondation doit être exactement en angle droit et à l'horizontale. Vérifiez avec le niveau à bulle d'air.

Attention: la fondation doit être à une profondeur hors gel.

Plan de la fondation

Fondation en béton ou de maçonnerie

| Serre | La (cm) | Li (cm) | Ba (cm) | Bi (cm) | T (cm) | H (cm) |
|---------------|---------|---------|---------|---------|--------|----------------------------|
| 3 Pans | 224 | 204 | 259 | 239 | 10 | à profondeur hors gel (30) |
| 4 Pans | 295 | 275 | 259 | 239 | 10 | à profondeur hors gel (30) |
| 5 Pans | 366 | 346 | 259 | 239 | 10 | à profondeur hors gel (30) |
| 6 Pans | 437 | 417 | 259 | 239 | 10 | à profondeur hors gel (30) |
| 7 Pans | 508 | 488 | 259 | 239 | 10 | à profondeur hors gel (30) |



La fondation doit avoir **au moins 10 cm de largeur (T)** et sa hauteur dépend des besoins (h)! La fondation doit se trouver **à angle droit** et à l'horizontale.

Liste d'emballage des profilés en aluminium

Les profilés en aluminium de votre serre sont emballés dans plusieurs cartons:

4 pans

Profilés en aluminium

| réf. (Numéro d'emballage) | Contenu |
|---------------------------|--|
| 36.505.30 | Profilés en aluminium - Panneau frontal à une porte |
| 36.505.32 | Profilés en aluminium - panneau arrière |
| 36.505.34 | Profilés en aluminium - 3 pans |

4 pans avec une seule porte

Profilés en aluminium

| réf. (Numéro d'emballage) | Contenu |
|---------------------------|--|
| 36.505.30 | Profilés en aluminium - Panneau frontal à une porte |
| 36.505.32 | Profilés en aluminium - panneau arrière |
| 36.505.33 | Profilés en aluminium - 2 pans |
| 36.505.33 | Profilés en aluminium - 2 pans |
| 36.505.35 | Lot d'attaches |

4 pans avec double porte

Profilés en aluminium

| réf. (Numéro d'emballage) | Contenu |
|---------------------------|---|
| 36.505.31 | Profilés en aluminium - Panneau frontal à double porte |
| 36.505.32 | Profilés en aluminium - panneau arrière |
| 36.505.33 | Profilés en aluminium - 2 pans |
| 36.505.33 | Profilés en aluminium - 2 pans |
| 36.505.35 | Lot d'attaches |

5 pans avec une seule porte

Profilés en aluminium

| réf. (Numéro d'emballage) | Contenu |
|---------------------------|--|
| 36.505.30 | Profilés en aluminium - Panneau frontal à une porte |
| 36.505.32 | Profilés en aluminium - panneau arrière |
| 36.505.33 | Profilés en aluminium - 2 pans |
| 36.505.34 | Profilés en aluminium - 3 pans |
| 36.505.35 | Lot d'attaches |

5 pans avec double porte

Profilés en aluminium

| réf. (Numéro d'emballage) | Contenu |
|---------------------------|---|
| 36.505.31 | Profilés en aluminium - Panneau frontal à double porte |
| 36.505.32 | Profilés en aluminium - panneau arrière |
| 36.505.33 | Profilés en aluminium - 2 pans |
| 36.505.34 | Profilés en aluminium - 3 pans |
| 36.505.35 | Lot d'attaches |

6 pans

Profilés en aluminium

| réf. (Numéro d'emballage) | Contenu |
|---------------------------|---|
| 36.505.31 | Profilés en aluminium - Panneau frontal à double porte |
| 36.505.32 | Profilés en aluminium - panneau arrière |
| 36.505.34 | Profilés en aluminium - 3 pans |
| 36.505.34 | Profilés en aluminium - 3 pans |
| 36.505.35 | Lot d'attaches |

7 pans

Profilés en aluminium

| réf. (Numéro d'emballage) | Contenu |
|---------------------------|---|
| 36.505.31 | Profilés en aluminium - Panneau frontal à double porte |
| 36.505.32 | Profilés en aluminium - panneau arrière |
| 36.505.33 | Profilés en aluminium - 2 pans |
| 36.505.33 | Profilés en aluminium - 2 pans |
| 36.505.34 | Profilés en aluminium - 3 pans |
| 36.505.35 | Lot d'attaches |
| 36.505.35 | Lot d'attaches |

Remarques relatives aux étapes de montage

Pour monter votre serre, reportez-vous aux illustrations **comprises dans le mode d'emploi en allemand et respecter leur ordre**. Vous trouverez dans ce manuel toutes les consignes de montage importantes ainsi que tous les textes dans votre langue. Les exemples suivants montrent la disposition des différentes étapes de montage et des illustrations dans le mode d'emploi en allemand.

Aperçu

La colonne de droite, réservée aux textes, comprend les représentations de vue d'ensemble des différentes étapes du montage actuel. Les pièces utilisées dans chaque étape sont représentées foncées et les endroits représentés également en détail sont entourés d'un cercle. Cette symbolique est parfois également utilisée pour les aperçus de montage ou les vues de contrôle.

Étape de montage

Liste des pièces détachées

Au début de chaque étape de travail, vous trouverez un tableau comprenant les pièces détachées dont vous aurez besoin pour cette étape. Le tableau est divisé en six colonnes : référence, numéro de position, figure, désignation de l'article, taille ou longueur, quantité nécessaire. A partir de l'étape 12, en fonction du modèle de serre acheté, les quantités de pièces détachées diffèrent. Dans ses tableaux, les indications de quantité sont divisées en cinq colonnes (des modèles de serre de trois à sept pans). Vous devez identifier la pièce en question sur la base de la référence gravée, de l'illustration et de l'indication de longueur ou encore de taille.

Consignes de montage

À partir de l'étape 12, certaines étapes doivent être répétées un nombre de fois différent. Ceci dépend du modèle de serre acheté (3 pans à 7 pans). Observez le nombre correspondant à votre modèle.

Vue des profilés

Les illustrations détaillées montrent souvent des vues de profilés supplémentaires pour une meilleure compréhension.

Outils

Les outils nécessaires à cette étape sont représentés ici.

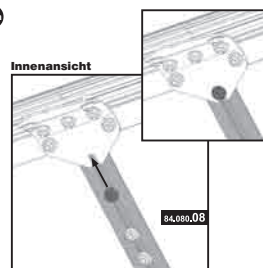
Répétition de l'étape

Si les étapes des illustrations détaillées doivent être répétées, le nombre de répétitions est indiqué dans ce champ de remarque.

19 Dachstreben montieren

| Artikel-Nr. | Pos. | Form | Benennung | Größe (mm) | Menge | | | | |
|-------------|------|------|-----------------------------|------------|----------|----------|----------|----------|----------|
| | | | | | 3 Felder | 4 Felder | 5 Felder | 6 Felder | 7 Felder |
| 84.080.08 | 1 | | Seitenstrebe | 1395 | 4 | 6 | 8 | 10 | 12 |
| 50.041.90 | 2 | | Sechskantschraube | M6x12 | 10 | 24 | 28 | 32 | 46 |
| 51.248.11 | 3 | | Sechskantmutter mit Flansch | M6 | 10 | 24 | 28 | 32 | 46 |

19/a



Montagehinweis:

| | | | |
|---|--------------|---|--------------|
| 3 | 4x montieren | 4 | 4x montieren |
| 5 | 6x montieren | 6 | 6x montieren |
| 7 | 8x montieren | 8 | 8x montieren |

Übersicht:



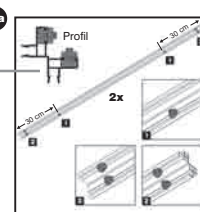
Hinweis:

19/a Befestigen Sie zunächst die in den Schritten 19/a und 19/b vormontierten Seitenstreben an den Knotenblechen Seite. Legen Sie die Streben von außen zwischen First und Regenrinne. Lockern Sie die oben vormontierte Schraube an der Seitenstrebe und schieben sie in die Aussparung am First. Ziehen Sie die Mutter wieder fest.

2 Eckprofile montieren

| Artikel-Nr. | Pos. | Form | Benennung | Größe (mm) | Menge |
|-------------|------|------|-----------------------------|------------|-------|
| 84.080.04 | 1 | | Eckprofil Seite | 1395 | 2 |
| 50.041.90 | 2 | | Sechskantschraube | M6x12 | 12 |
| 51.248.11 | 3 | | Sechskantmutter mit Flansch | M6 | 12 |

2/a



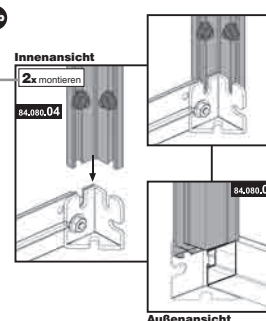
Übersicht (Vorderwand):



Werkzeug:



2/b



Hinweis:

2/a Schieben Sie in eine Führungsschiene zwei Schrauben jeweils zirka 5 cm von beiden Enden entfernt. In der anderen werden vier Schrauben vormontiert; jeweils zwei zirka 30 cm und zwei zirka 5 cm vom Rand entfernt (vgl. Detailsichten).

2/b Stellen Sie das Eckprofil auf das Bodenprofil. Achten Sie darauf, dass die Führungsschiene mit den vier vormontierten Schrauben zum Bodenprofil zeigt (vgl. Kontrollansicht auf der nächsten Seite).



Remarque importante:

vous trouverez dans les pages suivantes les textes dans votre langue. Ceux-ci sont articulés **en fonction du numéro des pages (mode d'emploi allemand!)** et des étapes du montage de manière à pouvoir les affecter sans ambiguïté aux textes respectifs du mode d'emploi allemand.

Consignes de montage:

Page 7

Module de montage du panneau frontal

1 Préassembler le profil du sol

Remarque importante: pour simplifier la manipulation, les panneaux avant et arrière doivent être montés à l'horizontale

Figure en bas: aperçu de montage du panneau frontal à une porte

Page 8

Figure en haut: panneau frontal à double porte

1/a: introduisez une pièce de raccordement dans chacun des rails de guidage des deux profilés de sol en la poussant jusqu'aux encoches respectives (cf. fig.). Les positions exactes sont indiquées dans les aperçus de montage respectifs de votre serre.

Page 9

1/c: fixez la plaque d'éclissage du sol au profilé de sol à l'aide d'une vis supplémentaire. Veillez à introduire cette vis à gauche de la plaque d'éclissage montée à gauche et à droite de la plaque d'éclissage montée à droite (cf. aperçu de montage, détail A et détail B).

Page 11

1/g: veillez à ce que le raccord en coin du sol se termine bien par le profilé de sol comme indiqué en fig. 1/g.

Page 12

2 Monter les raccords d'angle

Page 13

Figure en bas: vue de contrôle (profilé du sol avec raccords d'angles): vue de l'intérieur

Page 14

3 Prémontez les profilés de fronton

Liste des pièces en haut: panneau frontal à une porte

Liste des pièces en bas: panneau frontal à double porte

Remarque importante: cette étape sera répétée plus tard lors du montage de la paroi arrière (voir le module de montage de la paroi arrière). Veillez à ce que le panneau arrière soit monté avec une double

porte de façon semblable au panneau frontal. Utilisez les pièces correspondantes (liste des pièces de la paroi frontale avec double porte) et respectez les étapes.

Figure en bas: panneau frontal à une porte
Aperçu de montage / vue de contrôle (profilés de fronton): vue de l'intérieur

Attention à la position des vis!

Page 15

Figure en haut: panneau frontal à double porte
Aperçu de montage / vue de contrôle (profilés de fronton): vue de l'intérieur

Attention à la position des vis!

Figure 3/a: panneau frontal à une porte

Figure 3/b: panneau frontal à double porte

Page 16

Remarque importante: veillez à aligner les tôles de montage comme indiqué dans les vues 3/c et 3/d. Les tôles de montage seront ajustées plus tard, au moment de mettre le faîte et les gouttières en place.

Page 17

Remarque importante: veillez à ce que les deux (panneau frontal à une porte) ou trois (panneau frontal à double porte) vis prémontées au centre soient bien tournés vers l'intérieur. Comparez avec les vues de contrôle correspondantes dans les pages précédentes.

Page 18

Côté contrôle panneau frontal – une porte

Avant de passer à l'étape 4, contrôlez en vous basant sur la figure suivante, si vous avez bien monté les vis nécessaires à cette étape.

Figure: vue de l'intérieur panneau frontal - une porte

Page 19

Côté contrôle du panneau frontal – double porte

Avant de passer à l'étape 4, contrôlez en vous basant sur la figure suivante, si vous avez bien monté les vis nécessaires à cette étape.

Figure: vue de l'intérieur panneau frontal - double porte

Page 20

4 Montez les profilés de fronton sur les raccords d'angle

Page 21

5 Montez la traverse

Remarque importante: si votre serre n'a qu'une seule porte, montez la traverse comme indiqué dans les étapes 5/a et 5/b. S'il s'agit de la serre à double porte, montez la traverse comme indiqué dans les étapes 5/c et 5/d.

Figure 5/a + 5/b: panneau frontal à une porte

Figure 5/a: veillez à monter la traverse symétriquement.

Page 22

Figures 5/c + 5/d: panneau frontal à double porte

Figure 5/c: veillez à monter la traverse symétriquement.

Page 23

6 Monter la charpente

Page 24

7 Une porte - monter les traverses de porte

Si votre serre dispose d'une **double porte**, passez outre l'étape 7 et continuez le montage par l'étape 8 „double porte - monter les traverses de porte“.

7/a: montez sur les deux ferrures de porte respectivement une vis à env. 60 cm du bord à une extrémité, et une à environ 5 cm du bord. À l'autre extrémité, placez respectivement une vis à 30 cm et une à 5 du bord.

Page 25

7/c: introduisez les quatre battants de charnière prémontés dans le rail de guidage **d'une** ferrure de porte. Veillez à bien visser les battants de charnière comme désigné dans la figure 7/d.

Page 26

7/e: vissez sur chacune des deux plaques de serrure deux vis à tête conique (rep. 3) avec des écrous à six pans M4 (rep. 4) **sans serrer**.

Page 28

7/h: placez la ferrure de porte de **l'extérieur** entre le profil du sol et la traverse et fixez par le dessus avec le boulon à tête hexagonale prémonté. Veillez à ce que les charnières pointent bien vers le centre.

Remarque importante: la ferrure de porte avec les charnières doit être placée **à gauche** (vue du côté intérieur), la ferrure de porte avec les plaques de serrure **à droite**. Veuillez vous reporter pour le faire à la vue de contrôle sur la page suivante.

Page 29

Vue de contrôle, vue de l'intérieur

Figure: profilé gauche: ferrure de porte avec charnières

Profilé droit: ferrure de porte avec plaques de serrure

Remarque: les réservations marquées d'un X sur le profilé de sol et la traverse dans la vue de contrôle doivent rester libre. Veillez à bien monter le profilé de porte avec les charnières et celui avec les plaques de serrure comme indiqué dans la vue de contrôle (**vue de l'intérieur!**)!

Page 30

8 Double porte - monter la traverse de porte

Si votre serre a **une porte**, passez outre l'étape 8 et continuez le montage avec l'étape 9 «contreventements et renforcement».

8/a: montez sur une extrémité des deux ferrures de porte respectivement une vis à env. 60 cm du bord, une à environ 30 cm et une à environ 5 cm du bord. À l'autre extrémité, placez respectivement une vis à 30 cm et une à 5 cm du bord.

Page 31

8/c + 8/d: poussez **quatre** battants de charnière prémontés dans le rail de guidage **d'une** ferrure de porte (cf. fig. 8/c). Fixez à la **deuxième** ferrure de porte **trois** battants de charnière. Veillez à bien visser les battants de charnière comme montré en fig. 8/d afin de pouvoir plus tard monter la contre pièce adéquate.

Page 32

8/e: veillez à ce que les charnières pointent bien vers le centre.

Remarque importante: la ferrure de porte avec les quatre charnières prémonté doit être placée **à gauche** (vue du côté intérieur), la ferrure de porte avec les trois charnières **à droite**. Veuillez respecter à ce propos la vue de contrôle en page 34 des instructions de montage en allemand.

Page 34

Vue de contrôle, vue de l'intérieur

Remarque: les réservations marquées d'un X sur le profilé de sol et la traverse dans la vue de contrôle doivent rester libre. Veillez à bien monter les profilés de porte avec les charnières comme indiqué dans la vue de contrôle (**vue de l'intérieur!**)!

Page 35

9 Monter les contreventements et les renforcements

Liste des pièces en haut: panneau frontal à une porte

Liste des pièces en bas: panneau frontal à double porte

Remarque: veillez à monter les traverses horizontalement. Vérifiez le cas échéant avec un niveau à bulle d'air.

Page 36

Figure 9/c: panneau frontal à une porte

Page 37

Figure 9/c: panneau frontal à double porte

9/d: montez les deux renforcements inférieurs de façon que le contreventement oblique se trouve une fois devant et une fois derrière les renforcements (voir la vue de contrôle sur la prochaine page).

Page 38

Vue de contrôle (fig. Panneau frontal à une porte)

Remarque: veillez à monter les traverses horizontalement. Vérifiez le cas échéant avec un niveau à bulle d'air. Serrez précautionneusement les vis des contreventements et des renforcements. Ce sont ces vis qui donnent sa stabilité au panneau frontal.

Page 39

Monter le module du panneau arrière

Répétez les étapes 1 à 6.

Attention: dans l'étape 1 «prémontez le profilé de sol», utilisez à la place de l'équerre de fixation, (réf. 84.631.51) la plaque d'éclissage du sol (réf. 84.620.21). Fixez la plaque d'éclissage au profilé de sol par les deux trous supérieurs de l'extérieur avec, en plus, deux boulons hexagonaux et écrous.

Après l'étape 6, continuez directement le montage avec l'étape 10.

10 Monter les contre-fiches (panneau arrière)

Page 40

10/c: veillez à ce que la contrefiche soit placée au centre avec les trois vis prémontées.

Page 42

Vue de contrôle (vue de l'intérieur)

Remarque: les réservations marquées d'un X sur le profilé de sol et la traverse dans la vue de contrôle doivent rester libre. Veillez à ce que la contrefiche se trouve au centre avec seulement les trois vis prémontées. Contrôlez les distances entre les vis.

Page 43

11 Monter les contreventements et renforcements sur le panneau arrière

Remarque: veillez à monter les traverses horizontalement. Vérifiez le cas échéant avec un niveau à bulle d'air.

Page 45

11/d + 11/e: montez les deux renforcements inférieurs DT (602 mm) de façon que le contreventement en biais se trouve une fois devant et une fois derrière les renforcements (voir fig. 11/e).

Page 46

Remarque: veillez à monter les traverses horizontalement. Vérifiez le cas échéant avec un niveau à bulle d'air. Serrez précautionneusement les vis des contreventements et des renforcements. Ce sont ces vis qui donnent sa stabilité au panneau frontal.

Page 47

12 Monter le profilé du sol du côté

Figure au centre: aperçu de montage de la serre à 3 pans

Figure en bas: aperçu de montage de la serre à 4 pans

Page 48

Figure en haut: aperçu de montage de la serre à 5 pans

Figure au centre: aperçu de montage de la serre à 6 pans

Figure en bas: aperçu de montage de la serre à 7 pans

Page 49

Remarque importante: si votre serre a trois pans, passez outre les étapes 12/a et 12/b et continuez le montage avec l'étape 12/c.

Remarque importante: si vous avez acheté une **fondation en acier** (accessoire spéciale) pour votre **serre à trois pans**, il faut monter des vis supplémentaires sur le profilé de sol. Si vous n'utilisez pas de fondations en acier, passez outre l'étape 12/c et continuez le montage avec l'étape 12/d.

Figure 12/c: profilé de sol de la serre à 3 pans

12/c: poussez 3 vis jusqu'au centre de chaque rail de guidage des profilés de sol pour la serre à trois pans (voir l'aperçu de montage). Vous en aurez besoin plus tard pour fixer à la fondation d'acier (accessoire spécial). Si vous n'utilisez aucune fondation en acier, vous n'avez pas besoin de prémonter ces vis.

12/d: introduisez une vis à environ 10 cm du bord dans chaque rail de guidage des profilés de sol prémontrés (voir aussi l'aperçu de montage).

13 Prémonter la gouttière

Remarque importante pour la serre à 3 pans: si votre serre a **3 pans**, passez outre l'étape 13 et continuez directement avec l'étape 15. La serre à trois pans ne nécessite aucun montage préliminaire de la gouttière.

Figure en bas: aperçu de montage de la serre à 4 pans

Figure en haut: aperçu de montage de la serre à 5 pans

Figure au centre: aperçu de montage de la serre à 6 pans

Figure en bas: aperçu de montage de la serre à 7 pans

14 Monter le faîte

Remarque importante pour la serre à 3 pans: si votre serre a **3 pans**, passez outre l'étape 14 et continuez directement avec l'étape 15. La serre à trois pans ne nécessite aucun montage préliminaire du faîte.

Figure au centre: aperçu de montage de la serre à 4 pans

Figure en bas: aperçu de montage de la serre à 5 pans

Figure en haut: aperçu de montage de la serre à 6 pans

Figure au centre: aperçu de montage de la serre à 7 pans

14/a: introduisez le boulon **côté rainuré vers l'avant** dans l'ouverture du profilé de faîte prévue à cet effet.

15 Monter le profilé de sol à la paroi avant et arrière

15/a: introduisez le profilé de sol prémontré dans l'étape 12 (côté) dans le recouvrement en coin sur le raccord d'angle.

Remarque importante: si vous avez une serre à **cinq pans**, il faut alors monter les profilés de sol latéraux de manière que les deux profilés les plus courts (1414 mm) soient tournés vers la paroi avant!

16 Monter le profilé de gouttière à la paroi avant et arrière

16/a: poussez le profilé de gouttière jusqu'à la butée sur la paroi avant ou arrière. Réalignez le cas échéant les profilés de fronton et raccord d'angle de façon que la gouttière puisse être placée avec précision. Pour ce faire, il faut desserrer les vis sur la plaque de montage.

Remarque importante: si vous avez une serre à **cinq pans**, il faut alors monter les profilés de gouttière de manière que les deux profilés les plus courts (1414 mm) soient tournés vers la paroi avant!

17 Monter le profilé de faîte à la paroi avant et arrière

17/a: poussez le faîte jusqu'à la butée sur la paroi avant ou arrière. Réalignez le cas échéant le profilé de fronton de façon que le faîte puisse être placé avec précision. Pour ce faire, il faut desserrer les vis sur la plaque de montage.

Remarque importante: si vous avez une serre à **cinq pans**, il faut alors monter le profilé de faîte de manière que le profilé le plus court (1414 mm) soit tourné vers la paroi avant!

18 Monter la contrefiche latérale

18/a: montez sur les contrefiches latérales supérieure et inférieure à chaque fois une vis à environ 5 cm du bord. Veuillez respecter le nombre exact de vis pour votre serre.

18/b: montez sur les contrefiches latérales inférieures restantes une vis à environ 5 cm du bord. Mettez deux vis en haut, une à environ 10 cm, l'autre à environ 5 cm du bord.

Page 62

18/c: montez les contrefiche latérale à l'aide des vis prémontées (voir l'étape 18/b) aux plaques d'éclissages sur les profilés de sol et les gouttières.

Page 64

19 Monter les charpentes de toit

Remarque: l'étape suivante vous montre comment mettre les contrefiches latérales (du toit). Veuillez absolument respecter les **vues de contrôle** correspondantes pour votre serre et comparez les **étapes de prémontage** (19/a à 19/d) avec ces illustrations avant de mettre les fiches en place.

Les charpentes de trois aux **vis prémontées dans leur centre** (voir fig. 19/b ou 19/d) serviront plus tard à mettre la traverse de la fenêtre et la fenêtre en place. Vous pouvez voir dans les illustrations suivantes l'endroit où les fenêtres peuvent être montées.

Figure en bas: vue de contrôle du toit: serre à 3 pans

Légende:

- position des vis prémontées
- 1 vis

Page 65

Figure en haut: vue de contrôle du toit: serre à 4 pans

Figure en bas: vue de contrôle du toit: serre à 5 pans

Légende:

- position des vis prémontées
- 1 vis
- 2 vis
- position des plaques d'éclissage déjà montées sur le faîte et la gouttière

Page 66

Figure en haut: vue de contrôle du toit: serre à 6 pans

Figure en bas: vue de contrôle du toit: serre à 7 pans

Légende:

- position des vis prémontées
- 1 vis
- 2 vis
- position des plaques d'éclissage déjà montées sur le faîte et la gouttière

Page 67

19/a: respectez absolument les consignes de montage et la vue de contrôle pour votre serre.

Page 69

19/e: fixez tout d'abord les contrefiches latérales prémontées dans les étapes 19/c et 19/d sur les plaques d'éclissages latérales. Placez les contrefiches de l'extérieur entre le faîte et la gouttière.

Page 71

20 Monter le profilé de butée de la fenêtre

Page 72

20/b: mettez le profilé de butée de la fenêtre de l'intérieur entre les contrefiches latérales (du toit) avec les vis prémontées **au centre** (voir les vues de contrôle de l'étape 19). Veillez à ce que les ouvertures pour les vis soient tournées vers le bas (voir fig. 20/c).

Page 73

21 Monter les plaques d'éclissage

Remarque importante: si votre serre a **3 pans**, passez outre l'étape 21 et continuez directement avec l'étape 22.

21/a: fixez les plaques d'éclissage à 120° sur les contre-fiches sur lesquelles vous avez prémonté des vis.

Page 74

21/b: montez finalement une plaque d'éclissage à 120° en haut sur les charpentes de toit sur lesquelles vous avez prémonté des vis.

Page 75

22 Monter les contreventements du côté

Remarque: lorsque vous montez les contreventements, veillez à bien les placer comme décrit dans les **aperçus de montage / vues de contrôle du côté** correspondantes.

Figure en bas: aperçu de montage / vue de contrôle du côté : serre à 3 pans

Page 76

Figure en haut: aperçu de montage / vue de contrôle du côté : serre à 4 pans

Figure en bas: aperçu de montage / vue de contrôle du côté : serre à 5 pans

Figure en haut: aperçu de montage / vue de contrôle du côté: serre à 6 pans

Figure en bas: aperçu de montage / vue de contrôle du côté: serre à 7 pans

23 Monter les contreventements du toit

Remarque: lorsque vous montez les contreventements du toit, veillez à bien les placer comme décrit dans les **aperçus de montage / vues de contrôle du toit** correspondantes. C'est la seule manière d'assurer la stabilité nécessaire de votre serre.

Avec le dessert à **trois pans, cinq pans et six pans**, le nombre de contreventements fournis est supérieur à celui dont vous avez besoin pour le montage.

Figure en bas: aperçu de montage / vue de contrôle du toit: serre à 3 pans

Figure en haut: aperçu de montage / vue de contrôle du toit: serre à 4 pans

Figure en bas: aperçu de montage / vue de contrôle du toit: serre à 5 pans

Figure en haut: aperçu de montage / vue de contrôle du toit: serre à 6 pans

Figure en bas: aperçu de montage / vue de contrôle du toit : serre à 7 pans

Remarque importante: veillez au fait que pour la serre à 7 pans, aucun contreventement n'est placé dans les deux segments centraux.

Module Monter la fondation

Remarque importante: avant de continuer le montage avec la **partie 2** de ces consignes, vous devez placer votre serre dans sa position finale et la fixer à **sa fondation** (en béton, de murs ou d'acier)! La serre ne pourra plus être transportée plus tard. Si vous placez votre serre sur une fondation en **béton ou en maçonnerie**, continue le montage avec l'étape suivante.

Si vous avez acheté la **fondation en acier** (non compris dans la livraison) en tant qu'accessoire, montez-la comme décrit dans les consignes de montage de la fondation en acier.

Ancrage sur des fondations en béton / maçonnerie

Pour ancrer votre serre sur des fondations en béton ou en maçonnerie, vous aurez besoin du matériel de montage suivant (non compris dans la livraison):

- chevilles
- vis hexagonales pour bois
- rondelles

Pour chaque position vous en aurez besoin d'1 pour chaque raccord angulaire de sol et de 2 pour chaque plaque d'éclissage ou équerre de fixation.

Attention: utilisez les **chevilles convenant** aux fondations en béton / maçonnerie!

Il faut faire préalablement des trous dans la fondation pour les chevilles. Placez la serre sur la formation est dessinez des repères au niveau des angles (de fixation).

Accessoires spéciaux (non compris dans la livraison)

Réf. 36.405.90: lot d'ancrage BD4 (4 x tirants d'ancrage)

Réf. 36.405.91: lot d'ancrage BD6 (6 x tirants d'ancrage)

Remarque: le lot d'ancrage vous permet de fixer votre serre ou la fondation en acier dans la terre. Vous pourrez voir dans les aperçus suivant le nombre de lots d'ancrage dont vous aurez besoin pour votre serre. Les positions auxquelles chaque tirant d'ancrage sera fixé sont marquées d'un cercle. Mettez votre serre sur son emplacement définitif afin de déterminer les positions exactes des tirants d'ancrage. Marquez ensuite les endroits auxquels les tirants d'ancrage devront être enfoncés.

Figure au centre: vue de dessus d'une serre à 3 pans
Lots d'ancrage nécessaires: 2 x BD4 (réf. 36.405.90)

Figure en bas: vue de dessus d'une serre à 4 pans
Lots d'ancrage nécessaires: 1 x BD4 (réf. 36.405.90) + 1 x BD6 (réf. 36.405.91)

Figure en haut: vue de dessus d'une serre à 5 pans
Lots d'ancrage nécessaires: 1 lot 1 x BD4 (réf. 36.405.90) + 1 x lot BD6 (réf. 36.405.91)

Figure au centre: vue de dessus d'une serre à 6 pans
Lots d'ancrage nécessaires: 1 lot 1 x BD4 (réf. 36.405.90) + 1 x lot BD6 (réf. 36.405.91)

Figure en bas: vue de dessus d'une serre à 7 pans
Lots d'ancrage nécessaires: 1 lot 1 x BD4 (réf. 36.405.90) + 1 x lot BD6 (réf. 36.405.91)

NL Montage- en veiligheidsinstructies / lijst met gereedschap

Geachte klant,

U bent zeer bedankt dat u een Einhell product hebt gekozen. Wij wensen u veel plezier met uw serre. Met deze aluminiumserre hebt u een serre die met de grootste zorgvuldigheid is geconstrueerd en waarvan de profielen bijzonder duurzaam zijn. Dankzij de compacte en modulaire bouwwijze is een snelle montage mogelijk.

Uw montage-instructies zijn onderverdeeld in twee delen – „aluminiumprofielen“ en „ribplaten“. Lees de beide delen van de montage-instructies **zeker helemaal** door voordat u aan de opbouw van uw serre begint om montagefouten of beschadigingen te vermijden! Bewaar deze instructies ook na de montage zorgvuldig!

Aluminiumprofielen:

De verschillende artikelnummers telkens de aluminiumprofielen in gestanst. Gelieve de ingestanste nummers te controleren voordat u de verschillende profielen monteert.

Het verpakkingsmateriaal dient u op de verzamelplaats voor recyclebaar materiaal aan te bieden.

Lijst met gereedschap

Als montagegereedschap hebt u het volgende nodig:



Dopsleutel
○ grootte 7
○ grootte 10



Lange sleufschroevendraaier (grootte 2-3)



Schroevendraaier voor kruiskop-schroeven (grootte 2-3)



Binnenzes-kantsleutel (grootte 4)



Platte open sleutel of ringsleutel (grootte 10 / 13)



Rubberhamer



Boor Ø 2,0 mm



Steenboor



Boormachine of accuschroevendraaier



Meetlint of duimstok



Waterpas



Veiligheidszeel



Schaar

Belangrijke veiligheidsinstructies m.b.t. de montage

- Het is aan te raden de montage met **2 personen** uit te voeren.
- Ter voorkoming van ongevallen mogen zich tijdens de montage **geen kinderen** in de onmiddellijke nabijheid bevinden.
- Tijdens de montage van de aluminiumprofielen **veiligheidshandschoenen** dragen! **Gevaar voor snij- en kneuswonden!**
- Haal opnieuw alle schroeven **met de platte open sleutel of ringsleutel** aan nadat u de serre helemaal hebt gemonteerd!

Aanwijzing

De fabrikant is niet aansprakelijk voor aan storm, wind, water of sneeuwbelasting te wijten schade. Wij staan niet in voor de vergoeding van gevolgschade en financieel nadeel. Verdere ontwikkelingen in de zin van de technische vooruitgang behouden wij ons voor. Zo kunnen minieme afwijkingen in de voorstellingen ontstaan. Als onderdelen zichtbaar beschadigd zijn dienen die door originele wisselstukken te worden vervangen. Een complete onderdelenlijst vindt u in deel 2 van de montage-instructies.

Let op!

Alle montagezakjes bevatten reserveschroeven en-moeren!

Let bij het monteren van de serre erop dat de **profielen haaks moeten zijn!** Controleer steeds de horizontale of verticale positie van de profielen m.b.v. een **waterpas**. Let erop dat de profielen **steeds tot tegen de aanslag in de gedefinieerde eindposities** worden gemonteerd.

Aanwijzing omtrent de montage-instructies:

in de montage-instructies dient het **model met 5 velden** (2 velden + 3 velden) als referentiemodel. In de overzichtsafbeeldingen wordt telkens dit model voorgesteld. De andere serres verschillen tegenover dit model alleen door het aantal zijvelden. Indien u een van de andere modellen hebt aangeschaft verzoeken wij u de montage-instructies in acht te nemen die overeenkomen met uw serre.

Instructies voor het gebruik van de serre / fundering / funderingsschema

Instructies voor het gebruik van de serre

- Controleer om de drie maanden de schroefverbindingen en haal de schroeven, indien nodig, aan.
- Controleer of na een krachtige wind of storm de boutverbindingen goed vast en de ribplaten op de juiste plaats zitten.
- Sluit ramen en deuren van uw serre als het hard waait of bij storm.
- In aan storm blootgestelde gebieden is het aan te raden de serre extra te beveiligen door een gepaste stormverankering (niet bij de levering begrepen).
- Bij temperaturen onder het vriespunt (0° C) niet met harde voorwerpen tegen de ribplaten slaan.
- Ontdoe het dak van uw serre tijdig van sneeuw om een gevaarlijke belasting van het dak door sneeuw te voorkomen. Een sneeuwhoogte van 10 cm of ijshoogte van 2 cm kan al gevaarlijk zijn!
- Het dak van uw serre is niet begaanbaar!
- Gebruik geen open vlam of iets dergelijks in uw serre! Enkel toegestane verwarmingstoestellen gebruiken!
- De lokale bouwverordening dient in acht te worden genomen.

Fundering

Let op! De serre heeft geen extra funderingsprofiel. U kan uw serre op een eerder gemetselde of betonnen fundering plaatsen (zie funderingsschema) of op een stalen fundering (als accessoire verkrijgbaar) monteren.



Let op!

Indien u uw serre op een gemetselde fundering of betonfundering wilt plaatsen dient u er op te letten dat u de serre op een effen en stevige ondergrond opstelt. Controleer de effenheid met een waterpas!

Fundering van beton / metselwerk

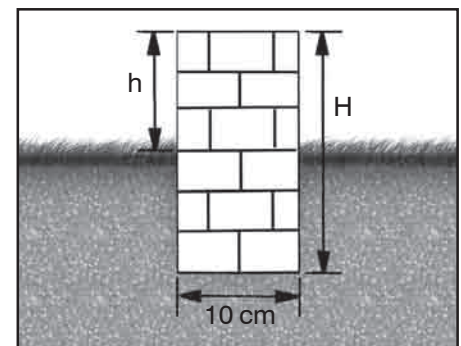
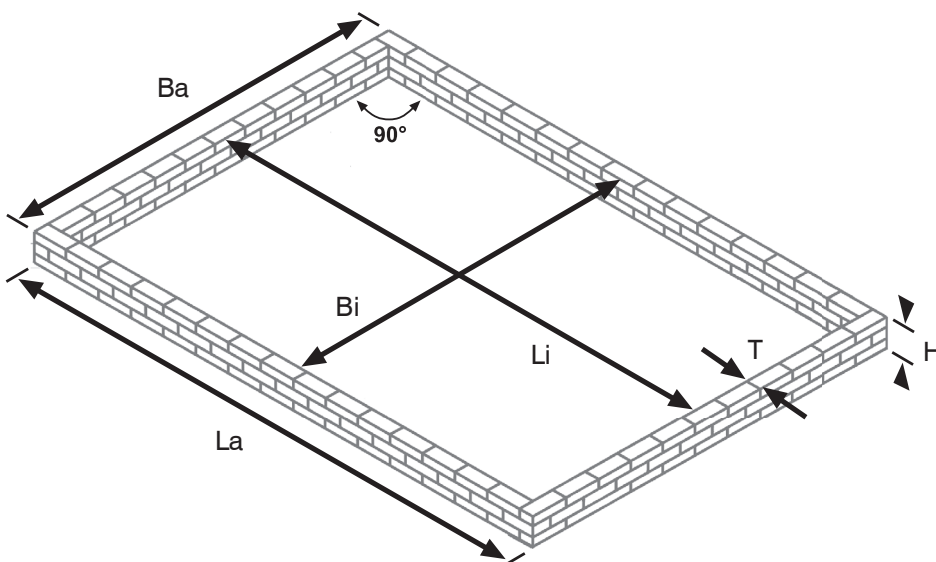
Het is uiterst belangrijk voor de montage van uw serre dat de fundering haaks staat. De fundering dient exact haaks en horizontaal te zijn. Controleer met een waterpas.

Let op! De fundering dient als bescherming tegen vorst voldoende diep te worden gebouwd.

Funderingsschema

Betonnen of gemetselde fundering

| Serre | La (cm) | Li (cm) | Ba (cm) | Bi (cm) | T (cm) | H (cm) |
|-----------------|---------|---------|---------|---------|--------|----------------|
| 3 velden | 224 | 204 | 259 | 239 | 10 | 30 voldoende |
| 4 velden | 295 | 275 | 259 | 239 | 10 | 30 diep als |
| 5 velden | 366 | 346 | 259 | 239 | 10 | 30 bescherming |
| 6 velden | 437 | 417 | 259 | 239 | 10 | 30 tegen |
| 7 velden | 508 | 488 | 259 | 239 | 10 | 30 de vorst |



De fundering moet **minstens 10 cm breed (T)** en **zo hoog als nodig (h)** zijn! De fundering dient **haaks** en **horizontaal** te zijn.

Verpakkingslijst aluminiumprofielen

U krijgt de aluminiumprofielen van uw serre in meerdere kartonnen dozen verpakt:

4 velden met enkele deur

Aluminiumprofielen

| Verpakkings-nr. | Inhoudsopgave |
|------------------|---|
| 36.505.30 | Aluminiumprofielen - voorwand met enkele deur |
| 36.505.32 | Aluminiumprofielen - achterwand |
| 36.505.33 | Aluminiumprofielen - 2 velden |
| 36.505.33 | Aluminiumprofielen - 2 velden |
| 36.505.35 | Verbindingsset |

3 velden

Aluminiumprofielen

| Verpakkings-nr. | Inhoudsopgave |
|------------------|---|
| 36.505.30 | Aluminiumprofielen - voorwand met enkele deur |
| 36.505.32 | Aluminiumprofielen - achterwand |
| 36.505.34 | Aluminiumprofielen - 3 velden |

4 velden met dubbele deur

Aluminiumprofielen

| Verpakkings-nr. | Inhoudsopgave |
|------------------|--|
| 36.505.31 | Aluminiumprofielen - voorwand met dubbele deur |
| 36.505.32 | Aluminiumprofielen - achterwand |
| 36.505.33 | Aluminiumprofielen - 2 velden |
| 36.505.33 | Aluminiumprofielen - 2 velden |
| 36.505.35 | Verbindingsset |

5 velden met enkele deur

Aluminiumprofielen

| Verpakkings-nr. | Inhoudsopgave |
|------------------|---|
| 36.505.30 | Aluminiumprofielen - voorwand met enkele deur |
| 36.505.32 | Aluminiumprofielen - achterwand |
| 36.505.33 | Aluminiumprofielen - 2 velden |
| 36.505.34 | Aluminiumprofielen - 3 velden |
| 36.505.35 | Verbindingsset |

5 velden met dubbele deur

Aluminiumprofielen

| Verpakkings-nr. | Inhoudsopgave |
|------------------|--|
| 36.505.31 | Aluminiumprofielen - voorwand met dubbele deur |
| 36.505.32 | Aluminiumprofielen - achterwand |
| 36.505.33 | Aluminiumprofielen - 2 velden |
| 36.505.34 | Aluminiumprofielen - 3 velden |
| 36.505.35 | Verbindingsset |

6 velden

Aluminiumprofielen

| Verpakkings-nr. | Inhoudsopgave |
|------------------|---|
| 36.505.31 | Aluminiumprofielen - voorwand met enkele deur |
| 36.505.32 | Aluminiumprofielen - achterwand |
| 36.505.34 | Aluminiumprofielen - 3 velden |
| 36.505.34 | Aluminiumprofielen - 3 velden |
| 36.505.35 | Verbindingsset |

7 velden

Aluminiumprofielen

| Verpakkings-nr. | Inhoudsopgave |
|------------------|---|
| 36.505.31 | Aluminiumprofielen - voorwand met enkele deur |
| 36.505.32 | Aluminiumprofielen - achterwand |
| 36.505.33 | Aluminiumprofielen - 2 velden |
| 36.505.33 | Aluminiumprofielen - 2 velden |
| 36.505.34 | Aluminiumprofielen - 3 velden |
| 36.505.35 | Verbindingsset |
| 36.505.35 | Verbindingsset |

Aanwijzingen omtrent de montageschappen

Gelieve voor het opbouwen van uw serre de **volgorde en de afbeeldingen in de Duitse montage-instructies** in acht te nemen. Daarvoor krijgt u in deze bijgaande brochure alle belangrijke montage-instructies en teksten in uw taal. Aan de hand van de volgende voorbeelden wordt u getoond hoe de verschillende montageschappen en afbeeldingen in de Duitse handleiding zijn opgebouwd.

Overzicht

In de rechttertekstkolom vindt u telkens de actuele montageprocedure voorgesteld in een overzicht. Hierbij zijn de stukken gebruikt in deze stap donkerder voorgesteld en de plaatsen waarvoor er gedetailleerde afbeeldingen voorhanden zijn, zijn door cirkels gekenmerkt. Deze symboliek wordt gedeeltelijk ook voor montagepreviews of controleaanzichten toegepast.

Montageschapp

Stuklijst

Aan het begin van elke montageschapp vindt u een tabel met de stukken die u voor deze stap nodig hebt. De tabel is onderverdeeld in zes kolommen: artikelnummer, positienummer, afbeelding, artikelbenaming, grootte of lengte, het nodige aantal stuks.

Vanaf stap 12 hebt u naargelang het serremodel dat u hebt aangeschaft een verschillend aantal onderdelen nodig. In deze tabellen is het opgegeven aantal stuks onderverdeeld in 5 kolommen (van serremodellen met 3 tot 7 velden). Identificeer telkens de stukken op grond van het ingestanste artikelnummer, de afbeelding en de opgegeven respectievelijke lengte of grootte.

Montageaanwijzing

Vanaf stap 12 moeten de schappen gedeeltelijk verschillend vaak worden herhaald. Dit is afhankelijk van het aangekochte serremodel (3 velden tot 7 velden). Gelieve telkens rekening te houden met het juiste aantal stuks voor uw model.

Profielaanzichten

In de gedetailleerde afbeeldingen worden dikwijls voor een beter begrip nog meer profielaanzichten getoond.

Gereedschapp

Hier zijn de gereedschappen afgebeeld die u voor deze stap nodig hebt.

Stapherhaling

Indien de procedures in de gedetailleerde afbeeldingen meermaals moeten worden uitgevoerd, wordt in dit aanwijsveld het aantal herhalingen weergegeven.

19 Dachstreben montieren

| Artikel-Nr. | Pos. | Form. | Benennung | Größe (mm) | Menge |
|-------------|------|-------|-----------------------------|------------|--------------------|
| 84.080.08 | 1 | | Seitenstrebe | 1395 | 4, 6, 8, 10, 12 |
| 50.041.90 | 2 | | Sechskantschraube | M6x12 | 10, 24, 28, 32, 46 |
| 51.048.11 | 3 | | Sechskantmutter mit Flansch | M6 | 10, 24, 28, 32, 46 |

19/a Innenansicht

19/b Übersicht:

Hinweis: Befestigen Sie zunächst die in den Schritten 19/a und 19/b vormontierten Seitenstreben an den Knotenblechen Seite. Legen Sie die Streben von außen zwischen First und Regenrinne. Lockern Sie die oben vormontierte Schraube an der Seitenstrebe und schieben sie in die Aussparung am First. Ziehen Sie die Mutter wieder fest.

Montagehinweis:

| | | | |
|---|--------------|---|--------------|
| 3 | 4x montieren | 4 | 4x montieren |
| 5 | 6x montieren | 6 | 6x montieren |
| 7 | 8x montieren | 8 | 8x montieren |

Seite 04

2 Eckprofile montieren

| Artikel-Nr. | Pos. | Form. | Benennung | Größe (mm) | Menge |
|-------------|------|-------|-----------------------------|------------|-------|
| 84.080.04 | 1 | | Eckprofil Seite | 1395 | 2 |
| 50.041.90 | 2 | | Sechskantschraube | M6x12 | 12 |
| 51.048.11 | 3 | | Sechskantmutter mit Flansch | M6 | 12 |

2/a Profil

2/b Innenansicht

2/b Außenansicht

Übersicht (Vorderwand):

Werkzeug: SW 10

Hinweis:

2/a Schieben Sie in eine Führungsschiene zwei Schrauben jeweils zirka 5 cm von beiden Enden entfernt. In der anderen werden vier Schrauben vormontiert; jeweils zwei zirka 30 cm und zwei zirka 5 cm vom Rand entfernt (vgl. Detailsichten).

2/b Stellen Sie das Eckprofil auf das Bodenprofil. Achten Sie darauf, dass die Führungsschiene mit den vier vormontierten Schrauben zum Bodenprofil zeigt (vgl. Kontrollansicht auf der nächsten Seite).

Seite 12



Belangrijke aanwijzing:

Op de volgende bladzijden vindt u de bijgaande teksten in uw taal. Deze zijn onderverdeeld naar **paginanummers (Duitse handleiding!) en montageschappen** zodat u telkens de teksten aan de Duitse handleiding duidelijk kan toewijzen.

Montagehinweise:

pagina 7

Ondergroep voorwand monteren

1 Grondprofiel vooraf monteren

Belangrijke aanwijzing: om de hantering te vergemakkelijken is het aan te bevelen voor- en achterwand al liggend te monteren.

Afbeelding beneden: montagepreview voorwand met enkele deur

pagina 8

Afbeelding boven: voorwand met dubbele deur

1/a: Schuif telkens een verbindingsstuk de geleiderails van de beide grondprofielen in tot naar de overeenkomstige uitsparingen (zie afbeelding). De exacte posities vindt u telkens terug in de montagepreviews voor uw serre.

pagina 9

1/c: Maak de knoopplaat grond op het grondprofiel vast d.m.v. een extra schroef. Let wel dat deze schroef op de links gemonteerde knoopplaat **links** en op de rechts gemonteerde knoopplaat **rechts** moet worden gemonteerd (zie montagepreview detail A en detail B).

pagina 11

1/g: Er wel op letten dat de grondhoekverbinder afsluit met het grondprofiel zoals getoond in afbeelding 1/g.

pagina 12

2 Hoekprofielen monteren

pagina 13

Afbeelding beneden: Controleaanzicht (grondprofiel met hoekprofielen): Binnenaanzicht

pagina 14

3 Gevelprofielen vooraf monteren

Stuklijst boven: voorwand met enkele deur

Stuklijst beneden: voorwand met dubbele deur

Belangrijke aanwijzing: deze stap wordt later herhaald bij het opbouwen van de achterwand (zie ondergroep achterwand monteren). Let wel dat de achterwand analoog met de voorwand met dubbele deur wordt opgebouwd. Gebruik daarvoor de overeenkomstige stukken (stuklijst voorwand met dubbele deur) en stappen.

Afbeelding beneden: voorwand met enkele deur

Montagepreview / controleaanzicht(gevelprofielen):
Binnenaanzicht

Op de positie van de schroeven letten!

pagina 15

Afbeelding boven: voorwand met dubbele deur

montagepreview / controleaanzicht (gevelprofielen):
binnenaanzicht

Op de positie van de schroevenletten!

Afbeelding 3/a: voorwand met enkele deur

Afbeelding 3/b: voorwand met dubbele deur

pagina 16

Belangrijke aanwijzing: erop letten dat de montageplaten moeten worden gericht zoals getoond in de aanzichten 3/c en 3/d. De montageplaten worden pas later bij het aanbrengen van de nok en de regengoot exact gejusteerd.

pagina 17

Belangrijke aanwijzing: let wel dat de twee (voorwand met enkele deur) of drie (voorwand met dubbele deur) **voordien gemonteerde schroeven in het midden** naar binnen wijzen. Vergelijk hiertoe de overeenkomstige controleaanzichten op de voorafgaande bladzijden.

pagina 18

Controlebladzijde voorwand – enkele deur

Voordat u doorgaat met stap 4 controleert u aan de hand van de volgende afbeelding of u alle schroeven die voor de volgende stappen nodig zijn vooraf hebt gemonteerd.

Afbeelding: binnenaanzicht voorwand – enkele deur

pagina 19

Controlebladzijde voorwand – dubbele deur

Voordat u doorgaat met stap 4 controleert u aan de hand van de volgende afbeelding of u alle schroeven die voor de volgende stappen nodig zijn vooraf hebt gemonteerd.

Afbeelding: binnenaanzicht voorwand – dubbele deur

pagina 20

4 Gevelprofielen dak op de hoekprofielen monteren

pagina 21

5 Dwarsschoor monteren

Belangrijke aanwijzing: indien uw serre een enkele deur heeft, monteert u de dwarsschoor zoals beschreven in de stappen 5/a en 5/b. Voor een serre met dubbele deur monteert u de dwarsschoor zoals voorgesteld in de stappen 5/c en 5/d.

Afbeelding 5/a + 5/b: voorwand met enkele deur

Afbeelding 5/a: let wel dat de dwarsschoor symmetrisch moet worden gemonteerd.

pagina 22

Afbeelding 5/c + 5/d: voorwand met dubbele deur

Afbeelding 5/c: let wel dat de dwarsschoor symmetrisch moet worden gemonteerd.

pagina 23

6 Dakschoor monteren

pagina 24

7 Enkele deur – deurschoren monteren

Indien uw serre van een **dubbele deur** is voorzien, slaat u stap 7 over en gaat u door met de montage stap 8 „dubbele deur – deurschoren monteren“.

7/a: Monteer aan de beide deurengsels aan een uiteinde telkens een schroef op ± 60 cm en een andere schroef op ± 5 cm van de rand. Aan het andere uiteinde brengt u telkens een schroef op 30 cm en een andere schroef op ± 5 cm van de rand.

pagina 25

7/c: Schuif de vier vooraf gemonteerde scharniervleugels de geleiderail van **één** deurengsel in. Let wel dat de scharniervleugels zoals gemerkt in afbeelding 7/d goed vast moeten worden geschroefd.

pagina 26

7/e: Op de beide slotplaten draait u telkens twee schroeven met platte verzonken kop (pos. 3) met zeskantmoeren M4 (pos. 4) **losjes** in.

pagina 28

7/h: Plaats het deurengsel van **buiten** tussen grondprofiel en dwarsschoor en maak boven vast d.m.v. de vooraf gemonteerde zeskantschroef. Let wel dat de scharnieren naar het midden moeten wijzen.

Belangrijke aanwijzing: het deurengsel met de scharnieren wordt **links** (vanaf de binnenkant gezien) ingezet, het deurengsel met de slotplaten **rechts**. Neem daartoe de controleaanzicht op de volgende bladzijde in acht.

pagina 29

Controleaanzicht binnenaanzicht

Afbeelding:

linkerprofiel: deurengsel met scharnieren

rechterprofiel: deurengsel met slotplaten

Aanwijzing: de in het controleaanzicht door X gemerkte uitsparingen op het grondprofiel en de dwarsschoor blijven vrij. Let wel dat het deurprofiel met de scharnieren en het deurprofiel met de slotplaten moeten worden ingezet zoals getoond in het controleaanzicht (**binnenaanzicht!**).

pagina 30

8 Dubbele deur – deurschoren monteren

Indien uw serre van een **enkele deur** is voorzien, slaat u stap 8 over en gaat u door met de montage stap 9 „windverbanden en verstijvingsstukken monteren“.

8/a: Monteer aan de beide deurengsels aan een uiteinde telkens een schroef op ± 60 cm, één op ± 30 cm en één op ± 5 cm van de rand. Aan het andere uiteinde brengt u telkens een schroef op 30 cm en een andere schroef op ± 5 cm van de rand.

pagina 31

8/c + 8/d: Schuif de **vier** vooraf gemonteerde scharniervleugels de geleiderail van **één** deurengsel in (zie afbeelding 8/c). Op het **tweede** deurengsel maakt u **drie** scharniervleugels vast. Let wel dat de scharniervleugels zoals gemerkt in afbeelding 8/d goed vast moeten worden geschroefd om later de deur met de passende tegenhangers te kunnen installeren.

pagina 32

8/e: Let wel dat de scharnieren naar het midden moeten wijzen.

Belangrijke aanwijzing: het deurengsel met de vier vooraf gemonteerde scharnieren wordt **links** (vanaf de binnenkant gezien) ingezet, het deurengsel met de drie scharnieren **rechts**. Neem daartoe de controleaanzicht op bladzijde 34 van de Duitse handleiding in acht.

pagina 34

Controleaanzicht binnenaanzicht

Aanwijzing: de in het controleaanzicht door X gemerkte uitsparingen op het grondprofiel en de dwarsschoor blijven vrij. Let wel dat de deurprofielen met de scharnieren moeten worden ingezet zoals getoond in het controleaanzicht (**binnenaanzicht!**).

pagina 35

9 Windverbanden en verstijvingsstukken monteren

Stuklijst boven: voorwand met enkele deur

Stuklijst beneden: voorwand met dubbele deur

Aanwijzing: let wel dat de verstijvingsstukken horizontaal moeten worden gemonteerd. Controleer, indien nodig, met behulp van een waterpas.

pagina 36

Afbeelding 9/c: voorwand met enkele deur

pagina 37

Afbeelding 9/c: voorwand met dubbele deur

9/d: Monteer de beide onderste verstijvingsstukken zodat het schuin lopende windverband eenmaal voor en eenmaal achter de verstijvingsstukken komt te liggen (zie controleaanzicht op de volgend bladzijde).

pagina 38

Controleaanzicht (afbeelding voorwand met enkele deur)

Aanwijzing: let wel dat de verstijvingsstukken horizontaal moeten worden gemonteerd. Controleer, indien nodig, met behulp van een waterpas. Haal de schroeven op de windverbanden en verstijvingsstukken zorgvuldig aan. Pas door hen krijgt de voorwand stabiliteit.

pagina 39

Ondergroep achterwand monteren

Herhaal de stappen 1 t/m 6.

Let op! Gebruik in stap 1 „grondprofiel vooraf monteren“ de **knoopplaat grond** i.p.v. de **korte montagewinkelhaak (artikelnr. 84.631.51)**. **Artikelnr. 84.620.21**). Maak de knoopplaat aan de beide bovenste gaten op het grondprofiel van buiten extra vast d.m.v. twee zeskantschroeven en moeren.

Ga na stap 6 met de montage rechtstreeks door met stap 10.

10 Schoren (achterwand) monteren

pagina 40

10/c: Let wel dat de schoor met de drie vooraf gemonteerde schroeven in het midden moet worden geplaatst.

pagina 42

Controleaanzicht (binnenaanzicht)

Aanwijzing: de in het controleaanzicht door X gemerkte uitsparingen op het grondprofiel en de dwarschoor blijven vrij. Let wel dat de schoor met de slechts drie vooraf gemonteerde schroeven zich in het midden bevindt. Controleer de afstanden van de schroeven.

pagina 43

11 Windverbanden en verstijvingsstukken aan de achterwand monteren

Aanwijzing: let wel dat de verstijvingsstukken horizontaal moeten worden gemonteerd. Controleer, indien nodig, met behulp van een waterpas.

pagina 45

11/d + 11/e: Monteer de beide onderste verstijvingsstukken DT (602 mm) zodat het schuin lopende windverband eenmaal voor en eenmaal achter de verstijvingsstukken komt te liggen (zie afbeelding 11/e).

pagina 46

Aanwijzing: let wel dat de verstijvingsstukken horizontaal moeten worden gemonteerd. Controleer, indien nodig, met behulp van een waterpas. Haal de schroeven op de windverbanden en verstijvingsstukken zorgvuldig aan. Pas door hen krijgt de voorwand stabiliteit.

pagina 47

12 Grondprofiel zijkant vooraf monteren

Afbeelding midden: montagepreview serre met 3 velden

Afbeelding beneden: montagepreview serre met 4 velden

pagina 48

Afbeelding boven: montagepreview serre met 5 velden

Afbeelding midden: montagepreview serre met 6 velden

Afbeelding beneden: montagepreview serre met 7 velden

pagina 49

Belangrijke aanwijzing: indien u een serre met **3 velden** hebt aangeschaft, sla dan de stappen 12/a en 12/b over en ga door met de montage met stap 12/c.

pagina 50

Belangrijke aanwijzing: indien u voor uw serre met **3 velden** een **stalen fundering** (speciaal accessoire) hebt aangekocht, dient u bijkomende schroeven op het grondprofiel te monteren. Als u geen stalen fundering gebruikt, slaat u de stap 12/c over en gaat u door met de montage met stap 12/d.

Afbeelding 12/c: grondprofiel serre met 3 velden

12/c: Schuif telkens drie schroeven de geleiderail van de grondprofielen voor de serre met 3 velden in tot in het midden (zie montagepreview). Deze hebt u later nodig om ze op een stalen fundering (speciaal accessoire) vast te maken. Indien u geen stalen fundering gebruikt, hoeft u deze schroeven niet vooraf te monteren.

12/d: Schuif telkens een schroef op ± 10 cm van de rand (zie ook montagepreview) de geleiderail van de vooraf gemonteerde grondprofielen in.

pagina 51

13 Regengoot vooraf monteren

Belangrijke aanwijzing voor een serre met 3 velden: indien u een serre met **3 velden** hebt, slaat u stap 13 over en gaat u door met de montage met stap 15. Voor de serre met 3 velden is het niet nodig de regengoot vooraf te monteren.

Afbeelding beneden: montagepreview serre met 4 velden

pagina 52

Afbeelding boven: montagepreview serre met 5 velden

Afbeelding midden: montagepreview serre met 6 velden

Afbeelding beneden: montagepreview serre met 7 velden

pagina 55

14 Nok vooraf monteren

Belangrijke aanwijzing voor een serre met 3 velden: indien u een serre met **3 velden** hebt, slaat u stap 14 over en gaat u door met de montage met stap 15. Voor de serre met 3 velden is het niet nodig het nokprofiel vooraf te monteren.

Afbeelding midden: montagepreview serre met 4 velden

Afbeelding beneden: montagepreview serre met 5 velden

pagina 56

Afbeelding boven: montagepreview serre met 6 velden

Afbeelding midden: montagepreview serre met 7 velden

14/a: Schuif de bout met de **gegroefde kant vooraan** de ervoor voorziene opening van het nokprofiel in.

pagina 58

15 Grondprofiel op voor- en achterwand monteren

15/a: Schuif het in stap 12 vooraf gemonteerde grondprofiel (zijkant) de hoekafdekking op het hoekprofiel in.

Belangrijke aanwijzing: indien u een serre met **5 velden** hebt, dient u de zijdelingse grondprofielen te monteren zodat de beide kortere profielen (1414 mm) naar de voorwand wijzen!

pagina 59

16 Regengootprofiel op voor- en achterwand monteren

16/a: Schuif het regengootprofiel tegen de voor- of achterwand tot tegen de aanslag. Richt, indien nodig, de hoek- en gevelprofielen opnieuw uit zodat de regengoot exact op maat kan worden ingezet. Te dien einde moet u de schroeven op de montageplaat losdraaien.

Belangrijke aanwijzing: indien u een serre met **5 velden** hebt, dient u de regengootprofielen te monteren zodat de beide kortere profielen (1414 mm) naar de voorwand wijzen!

pagina 60

17 Nokprofiel op voor- en achterwand monteren

17/a: Schuif de nok tegen de voor- of achterwand tot tegen de aanslag. Richt, indien nodig, de gevelprofielen opnieuw uit zodat de nok exact op maat kan worden ingezet. Te dien einde moet u de schroeven op de montageplaat losdraaien.

Belangrijke aanwijzing: indien u een serre met **5 velden** hebt, dient u het nokprofiel te monteren zodat het kortere profiel (1414 mm) naar de voorwand wijst!

pagina 61

18 Zijschoren monteren

18/a: Monteer telkens een schroef op ± 5 cm van de rand boven en beneden op de zijschoren. Neem het exacte aantal voor uw serre in acht.

18/b: Monteer een schroef op ± 5 cm van de rand beneden op de overblijvende zijschoren. Boven brengt u twee schroeven aan, een op ± 10 cm, de andere op ± 5 cm van de rand.

pagina 62

18/c: Monteer de zijschoren met de vier vooraf gemonteerde schroeven (zie stap 18/b) op de knoopplaten op het grondprofiel en de regengoot.

pagina 64

19 Dakschoren monteren

Aanwijzing: in de volgende stap worden de zijschoren (dak) aangebracht. Neem zeker de desbetreffende **controleaanzichten** voor uw serre in acht en vergelijk de **voormontagestappen** (stappen 19/a t/m 19/d) met deze afbeeldingen voordat u de schoren aanbrengt.

De dakschoren met de **in het midden vooraf gemonteerde schroeven** (zie afbeelding 19/b of 19/d) hebt u later nodig voor het aanbrengen van de raamdwarsschoor en het raam. In de volgende afbeeldingen ziet u op welke plaatsen de ramen in uw serre worden gemonteerd.

Afbeelding beneden: controleaanzicht dak: serre met 3 velden

Legende:

- positie van de vooraf gemonteerde schroeven
- 1 schroef

pagina 65

Afbeelding boven: controleaanzicht dak: serre met 4 velden

Afbeelding beneden: controleaanzicht dak: serre met 5 velden

Legende:

- positie van de vooraf gemonteerde schroeven
- 1 schroef
- 2 schroeven
- positie van de reeds gemonteerde knoopplaten op nok en regengoot

pagina 66

Afbeelding boven: controleaanzicht dak: serre met 6 velden

Afbeelding beneden: controleaanzicht dak: serre met 7 velden

Legende:

- positie van de vooraf gemonteerde schroeven
- 1 schroef
- 2 schroeven
- positie van de reeds gemonteerde knoopplaten op nok en regengoot

pagina 67

19/a: Neem zeker de montage-instructie en het controleaanzicht voor uw serre in acht.

pagina 69

19/e: Maak eerst de in stappen 19/c en 19/d vooraf gemonteerde zijschoren vast op de knoopplaten zijkant. Plaats de schoren van buiten tussen nok en regengoot.

pagina 71

20 Raamaanslagprofiel monteren

pagina 72

20/b: Plaats het raamaanslagprofiel van binnen tussen de zijschoren (dak) met de **in het midden vooraf gemonteerde schroeven** (zie controleaanzicht stap 19). Let wel dat de uitsparingen voor de schroeven omlaag moeten wijzen (zie afbeelding 20/c).

pagina 73

21 Knoopplaten monteren

Belangrijke aanwijzing: indien u een serre met 3 velden hebt, slaat u stap 21 over en gaat u door met de montage met stap 22.

21/a: Maak de knoopplaten met 120° vast op de schoren waarop u vooraf de schroeven hebt gemonteerd.

pagina 74

21/b: Maak voor het laatst een knoopplaat met 120° boven vast op de dakschoren waarop u vooraf de schroeven hebt gemonteerd.

pagina 75

22 Windverbanden zijkant monteren

Aanwijzing: let wel dat bij de montage van de windverbanden zijkant deze windverbanden moeten worden geplaatst zoals getoond in de respectievelijke **montagepreviews / controleaanzichten zijkant**.

Afbeelding beneden: montagepreview / controleaanzicht zijkant: serre met 3 velden

pagina 76

Afbeelding boven: montagepreview / controleaanzicht zijkant: serre met 4 velden

Afbeelding beneden: montagepreview / controleaanzicht zijkant: serre met 5 velden

pagina 77

Afbeelding boven: montagepreview / controleaanzicht zijkant: serre met 6 velden

Afbeelding beneden: montagepreview / controleaanzicht zijkant: serre met 7 velden

pagina 79

23 Windverbanden dak monteren

Aanwijzing: let wel dat bij de montage van de windverbanden dak deze windverbanden moeten worden geplaatst zoals getoond in de respectievelijke **montagepreviews / controleaanzichten dak**.

Enkel op die manier wordt de nodige stabiliteit van de serre optimaal gewaarborgd. Bij de levering voor een serre met **3 velden**, **5 velden** en **6 velden** zijn meer windverbanden begrepen dan er voor de montage nodig zijn.

Afbeelding beneden: montagepreview / controleaanzicht dak: serre met 3 velden

pagina 80

Afbeelding boven: montagepreview / controleaanzicht dak: serre met 4 velden

Afbeelding beneden: montagepreview / controleaanzicht dak: serre met 5 velden

pagina 81

Afbeelding boven: montagepreview / controleaanzicht dak: serre met 6 velden

Afbeelding beneden: montagepreview / controleaanzicht dak: serre met 7 velden

Belangrijke aanwijzing: let wel dat bij een serre met 7 velden in de beide middelste segmenten geen windverband wordt gemonteerd.

pagina 83

Ondergroep fundering monteren

Belangrijke aanwijzing: voordat u doorgaat met de montage met **deel 2** van de handleiding dient u uw serre op zijn definitieve plaats te zetten en vast te maken op de **fundering** (betonnen, gemetselde of stalen fundering)! De serre kan later niet meer worden verplaatst.

Plaats uw serre op een **betonnen / gemetselde fundering** en ga door met de montage met deze stap.

Indien u de **stalen fundering** (niet bij de normale omvang van de levering begrepen) als accessoire hebt aangeschaft, monteert u die zoals beschreven in de instructies voor de stalen fundering.

Verankering op betonnen / gemetselde fundering

Voor het verankeren van de serre op een betonnen of gemetselde fundering hebt u het volgende montage materiaal nodig (niet bij de normale omvang van de levering begrepen):

- **pluggen**
- **zeskante houtschroeven**
- **sluitringen**

Van elke positie hebt u 1 stuk voor elke grondhoekverbinder en 2 stuks voor elke knoopplaat grond of de montagewinkelhaak nodig.

Let op! Gebruik voor een betonnen / gemetselde fundering **gepaste pluggen!**

Voor de pluggen dient u vooraf gaten in de fundering te boren. Plaats te dien einde de serre op de fundering en breng merktekens aan op de (montage) winklehaken.

pagina 86

Speciaal accessoire (niet bij de normale omvang van de levering begrepen)

Artikelnr. 36.405.90: verankeringsset BD4-set (4 x grondankers)

Artikelnr. 36.405.91: verankeringsset BD6-set (6 x grondankers)

Aanwijzing: met de verankeringssets kan u uw serre of de stalen fundering in de grond bevestigen. Het aantal verankeringssets die u voor uw serre telkens nodig hebt vindt u terug op de volgende overzichten. De posities waar de verschillende grondankers moeten worden bevestigd zijn omcirkeld. Om de exacte posities van de grondankers vast te leggen zet u uw serre op zijn definitieve plaats. Merk daarna de plaatsen waar de grondankers moeten worden ingedraaid.

Afbeelding midden: bovenaanzicht serre met 3 velden aantal nodige verankeringssets: 2 x BD4-set (artikelnr. 36.405.90)

Afbeelding beneden: bovenaanzicht serre met 4 velden aantal nodige verankeringssets: 1 x BD4-set (artikelnr. 36.405.90) + 1 x BD6-set (artikelnr. 36.405.91)

pagina 87

Afbeelding boven: bovenaanzicht serre met 5 velden aantal nodige verankeringssets: 1 x BD4-set (artikelnr. 36.405.90) + 1 x BD6-set (artikelnr. 36.405.91)

Afbeelding midden: bovenaanzicht serre met 6 velden aantal nodige verankeringssets: 1 x BD4-set (artikelnr. 36.405.90) + 1 x BD6-set (artikelnr. 36.405.91)

Afbeelding beneden: bovenaanzicht serre met 7 velden aantal nodige verankeringssets: 1 x BD4-set (artikelnr. 36.405.90) + 1 x BD6-set (artikelnr. 36.405.91)

S Monterings- och säkerhetsanvisningar / Verktygslista

Bästa kund,

Tack för att du bestämt dig för en produkt från Einhell. Mycket nöje med ditt nya växthus! Detta aluminiumväxthus har konstruerats mycket noggrant och har särskilt stabila profiler. Tack vare den kompakta och modulära konstruktionen kan fundamentet monteras samman snabbt.

Monteringsanvisningarna är uppdelade i två delar: „Aluminiumprofiler“ och „Kanalplattor“. Läs tvunget igenom monteringsanvisningarnas båda delar **komplett** innan du börjar montera växthuset så att du kan undvika monteringsfel eller skador. Förvara anvisningarna på ett säkert ställe efter att du monterat växthuset.

Aluminiumprofiler

De enstaka artikelnumren har stansats in i aluminiumprofilerna. Kontrollera de instansade numren innan du börjar montera de enstaka profilerna.

Förpackningsmaterial ska lämnas in i källsorterat skick för återvinning.

Viktiga säkerhetsanvisningar för montering

- Vi rekommenderar att **två personer** genomför monteringen tillsammans.
- För att undvika olyckor bör **inga barn** befinna sig i närheten medan fundamentet monteras.
- Bär **skyddshandskar** när du monterar samman aluminiumprofilerna. **Risk för skär- och klämskador!**
- Dra åt alla skruvförband med **gaffel- eller ringnyckeln** efter att du monterat samman växthuset komplett.

Obs!

Tillverkaren övertar inget ansvar för skador av storm, vind, vatten eller snölast. Tillverkaren ger ingen garanti för ersättning vid indirekt resulterande skador eller för skador på materiella värden. Vi förbehåller oss rätten att vidareutveckla produkten vid tekniska förbättringar. Detta kan innebära mindre avvikelser i bilderna. Om delarna uppvisar synliga skador måste de bytas ut mot originaldelar. En komplett reservdelslista finns i del 2 i monteringsanvisningarna.

Verktygslista

Följande monteringsverktyg behövs:



Nyckel
○strl. 7
○strl. 10



Spårskruvmejsel
(strl. 2-3)



Kryssskruvmejsel
(strl. 2-3)



Insexnyckel
(strl. 4)



Gaffel- eller
ringnyckel



Gummihammare



Borr Ø 2,0 mm



Borrmaskin eller
batteridrivna
skruvdragare



Måttband eller
meterstock



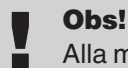
Vattenpass



Säkerhetsställ



Sax



Obs!

Alla monteringspåsar innehåller extra skruvar och muttrar som reserv.

När du monterar samman växthuset måste du se till att **profilerna sitter i rätt vinkel mot varandra!** Använd alltid ett **vattenpass** för att kontrollera att profilerna är vågräta resp. lodräta. Kontrollera att profilerna **alltid monteras till definierade slutlägen**.



Instruktioner för monteringsanvisningarna:

I monteringsanvisningarna används **växthusmodellen med fem fält** (2 fält + 3 fält) som referensmodell. I översikt bilderna visas alltid denna modell. De andra växthusen skiljer sig endast åt från denna modell när det gäller antal sidofält. Om du har köpt en annan modell måste du beakta monteringsanvisningarna som gäller för ditt växthus.

Instruktioner för användning / Fundament / Fundamentplan

Instruktioner för användning

- Kontrollera skruvförbanden var tredje månad och dra åt dem vid behov.
- Efter kraftig vind eller storm måste du kontrollera att skruvförbanden är åtdragna samt att kanalplattorna sitter rätt.
- Stäng fönstren och dörrarna till växthuset vid kraftig vind och storm.
- I regioner där det finns risk för storm måste växthuset dessutom säkras med lämpliga förankringar (ingår inte i leveransomfattningen).
- Om temperaturen sjunker under nollpunkten får kanalplattorna inte utsättas för slag av hårda föremål.
- Växthusetets tak måste hållas rent från snö i god tid så att ingen farlig snölast kan uppstå. Redan 10 cm snöhöjd eller 2 cm ishöjd kan vara farligt!
- Växthusetets tak kan inte beträdas!
- Använd ingen öppen låga eller liknande i växthuset. Använd endast godkända värmeelement.
- Beakta gällande bygglagstiftning.

Fundament

Obs! Växthuset har ingen extra fundamentprofil. Du kan ställa ditt växthus på ett föreberett mur- eller betongfundament (se Fundamentplan) eller montera växthuset på ett stålfundament (finns som tillbehör).



Obs!

Om du inte vill ställa upp ditt växthus på ett mur- eller betongfundament måste du se till att underlaget under växthuset är slätt och fast. Kontrollera med ett vattenpass att marken är slät.

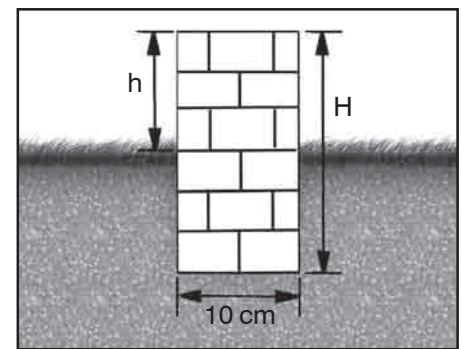
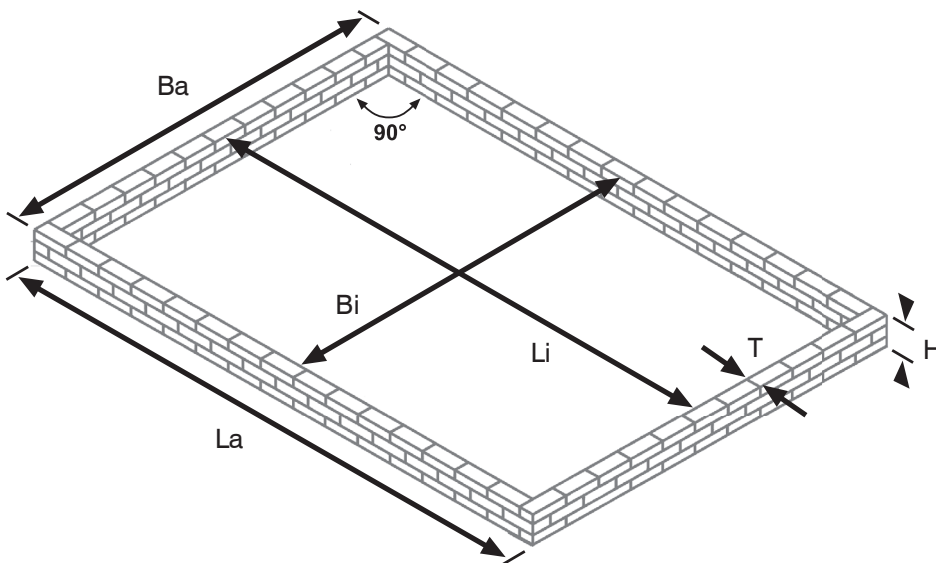
Fundament av betong / murverk

Det är mycket viktigt att fundamentets vinklar är rätta innan växthuset monteras. Fundamentet måste vara exakt i rät vinkel samt vara vågrätt. Kontrollera med ett vattenpass. Obs! Fundamentets grund måste vara frostfri.

Fundamentplan

Betong- eller murfundament

| Växthus | La (cm) | Li (cm) | Ba (cm) | Bi (cm) | T (cm) | H (cm) |
|---------------|---------|---------|---------|---------|--------|----------------------|
| 3 fält | 224 | 204 | 259 | 239 | 10 | frostfritt djup (30) |
| 4 fält | 295 | 275 | 259 | 239 | 10 | frostfritt djup (30) |
| 5 fält | 366 | 346 | 259 | 239 | 10 | frostfritt djup (30) |
| 6 fält | 437 | 417 | 259 | 239 | 10 | frostfritt djup (30) |
| 7 fält | 508 | 488 | 259 | 239 | 10 | frostfritt djup (30) |



Fundamentet måste vara **minst 10 cm brett (T)** och vid behov vara **(h) högt!** Fundamentet måste vara i **rät vinkel** samt vara vågrätt.

Förpackningslista för aluminiumprofiler

Aluminiumprofilerna till ditt växthus har förpackats i flera olika kartonger:

4 fält

Aluminiumprofiler

Förpacknings-nr. Innehåll

- | | |
|------------------|---|
| 36.505.30 | Aluminiumprofiler - Framsida med enkeldörr |
| 36.505.32 | Aluminiumprofiler - baksida |
| 36.505.34 | Aluminiumprofiler - 3 fält |

4 fält med enkeldörr

Aluminiumprofiler

Förpacknings-nr. Innehåll

- | | |
|------------------|---|
| 36.505.30 | Aluminiumprofiler - Framsida med enkeldörr |
| 36.505.32 | Aluminiumprofiler - baksida |
| 36.505.33 | Aluminiumprofiler - 2 fält |
| 36.505.33 | Aluminiumprofiler - 2 fält |
| 36.505.35 | Monteringsats |

4 fält med dubbeldörr

Aluminiumprofiler

Förpacknings-nr. Innehåll

- | | |
|------------------|--|
| 36.505.31 | Aluminiumprofiler - Framsida med dubbeldörr |
| 36.505.32 | Aluminiumprofiler - baksida |
| 36.505.33 | Aluminiumprofiler - 2 fält |
| 36.505.33 | Aluminiumprofiler - 2 fält |
| 36.505.35 | Monteringsats |

5 fält med enkeldörr

Aluminiumprofiler

Förpacknings-nr. Innehåll

- | | |
|------------------|---|
| 36.505.30 | Aluminiumprofiler - Framsida med enkeldörr |
| 36.505.32 | Aluminiumprofiler - baksida |
| 36.505.33 | Aluminiumprofiler - 2 fält |
| 36.505.34 | Aluminiumprofiler - 3 fält |
| 36.505.35 | Monteringsats |

5 fält med dubbeldörr

Aluminiumprofiler

Förpacknings-nr. Innehåll

- | | |
|------------------|--|
| 36.505.31 | Aluminiumprofiler - Framsida med dubbeldörr |
| 36.505.32 | Aluminiumprofiler - baksida |
| 36.505.33 | Aluminiumprofiler - 2 fält |
| 36.505.34 | Aluminiumprofiler - 3 fält |
| 36.505.35 | Monteringsats |

6 fält

Aluminiumprofiler

Förpacknings-nr. Innehåll

- | | |
|------------------|--|
| 36.505.31 | Aluminiumprofiler - Framsida med dubbeldörr |
| 36.505.32 | Aluminiumprofiler - baksida |
| 36.505.34 | Aluminiumprofiler - 3 fält |
| 36.505.34 | Aluminiumprofiler - 3 fält |
| 36.505.35 | Monteringsats |

7 fält

Aluminiumprofiler

Förpacknings-nr. Innehåll

- | | |
|------------------|--|
| 36.505.31 | Aluminiumprofiler - Framsida med dubbeldörr |
| 36.505.32 | Aluminiumprofiler - baksida |
| 36.505.33 | Aluminiumprofiler - 2 fält |
| 36.505.33 | Aluminiumprofiler - 2 fält |
| 36.505.34 | Aluminiumprofiler - 3 fält |
| 36.505.35 | Monteringsats |
| 36.505.35 | Monteringsats |

Instruktioner till monteringsstegen

När du monterar samman ditt växthus måste du beakta **ordningsföljden och bilderna i de tyska monteringsanvisningarna**. I detta häfte som medföljer får du alla viktiga monteringsinstruktioner och texter på ditt eget språk. I nedanstående exempel visas hur de enskilda monteringsstegen och bilderna är sammansatta i de tyska monteringsanvisningarna.

Översikt

Höger textkolumn innehåller varje översiktsbild till aktuellt monteringssteg. Alla delar som behövs till detta monteringssteg visas i mörkare färgton. Monteringsställen som har extra detaljbilder är markerade med cirklar. Dessa symboler används till viss del även till förhandsbilder av montering samt kontrollbilder.

Monteringssteg

Stycklista

I början av varje monteringssteg finns en tabell med alla enskilda delar som behövs till detta arbetsmoment. Tabellen innehåller sex kolumner: Artikelnummer, positionsnummer, bild, artikelbeteckning, storlek resp. längd, erforderligt antal.
Från och med steg 12 behövs olika antal delar beroende på vilken växthusmodell du har köpt. I dessa tabeller anges antalet delar i fem olika kolumner (från växthusmodell med tre till sju fält).
Identifiera varje del med hjälp av det instansade artikelnumret, bilderna och uppgifterna om delens längd eller storlek.

Monteringsanvisningar

Från och med steg 12 måste vissa steg upprepas olika antal gånger. Detta är beroende av vilken växthusmodell du köpt (tre till sju fält). Beakta aktuellt antal för din växthusmodell.

Profilbilder

Detaljbilderna innehåller ofta extra profilbilder som ska underlätta monteringen.

Verktyg

Här visas vilka verktyg som behövs till ett speciellt arbetssteg.

Upprepade arbetssteg

Om arbetsuppgifterna som beskrivs i ett visst arbetssteg ska utföras flera gånger visas antalet upprepade arbetsuppgifter i detta fält.

19 Dachstreben montieren

| Artikel-Nr. | Pos. | Form | Benennung | Größe (mm) | Menge | | | | |
|-------------|------|------|-----------------------------|------------|----------|----------|----------|----------|----------|
| | | | | | 3 Felder | 4 Felder | 5 Felder | 6 Felder | 7 Felder |
| 84.080.08 | 1 | | Seitenstrebe | 1395 | 4 | 6 | 8 | 10 | 12 |
| 50.041.90 | 2 | | Sechskantschraube | M6x12 | 10 | 24 | 28 | 32 | 46 |
| 51.048.11 | 3 | | Sechskantmutter mit Flansch | M6 | 10 | 24 | 28 | 32 | 46 |

19/a **Innenansicht**

19/b **Übersicht:**

Hinweis: Befestigen Sie zunächst die in den Schritten 19/a und 19/b vormontierten Seitenstreben an den Knotenblechen Seite. Legen Sie die Streben von außen zwischen First und Regenrinne. Lockern Sie die oben vormontierte Schraube an der Seitenstrebe und schieben sie in die Aussparung am First. Ziehen Sie die Mutter wieder fest.

Montagehinweis:

| | | | |
|---|--------------|---|--------------|
| 3 | 4x montieren | 4 | 4x montieren |
| 5 | 6x montieren | 6 | 6x montieren |
| 7 | 8x montieren | | |

Seite 04

2 Eckprofile montieren

| Artikel-Nr. | Pos. | Form | Benennung | Größe (mm) | Menge |
|-------------|------|------|-----------------------------|------------|-------|
| 84.080.04 | 1 | | Eckprofil Seite | 1395 | 2 |
| 50.041.90 | 2 | | Sechskantschraube | M6x12 | 12 |
| 51.048.11 | 3 | | Sechskantmutter mit Flansch | M6 | 12 |

2/a **Profil**

2/b **Übersicht (Vorderwand):**

Werkzeug:

Hinweis:

2/a Schieben Sie in eine Führungsschiene zwei Schrauben jeweils zirka 5 cm von beiden Enden entfernt. In der anderen werden vier Schrauben vormontiert; jeweils zwei zirka 30 cm und zwei zirka 5 cm vom Rand entfernt (vgl. Detailsichten).

2/b Stellen Sie das Eckprofil auf das Bodenprofil. Achten Sie darauf, dass die Führungsschiene mit den vier vormontierten Schrauben zum Bodenprofil zeigt (vgl. Kontrollansicht auf der nächsten Seite).

Seite 12

! Wichtig information: På följande sidor finns informationstexten på ditt språk. Denna text är strukturerad efter **sidonummer (i de tyska monteringsanvisningarna) och monteringssteg** så att du utan vidare kan se vilken text som hör till de tyska monteringsanvisningarna.

Monteringsanvisningar

Sida 7

Montera baksidan

1 Förmontera bottenprofilen

Viktig information: För att förenkla hanteringen ska fram- och baksidan monteras liggande.

Bild nedtill: Förhandsbild för montering av framsidan med enkeldörr

Sida 8

Bild upptill: Framsida med dubbeldörr

1/a: Skjut in en kopplingsdel i styrskenorna till de båda bottenprofilerna fram till motsvarande urtag (jmf. bild). Exakta positioner anges i förhandsbilderna till monteringen av ditt växthus.

Sida 9

1/c: Fäst hörnplåten till botten med en extra skruv på bottenprofilen. Se till att skruven vid hörnplåten som monterats till vänster sätts in till **vänster**, och att skruven vid hörnplåten som monterats till höger sätts in till **höger** (jmf. förhandsbild för montering, detalj A och B).

Sida 11

1/g: Se till att bottenhörnplåten ligger emot bottenprofilen enligt bild 1/g.

Sida 12

2 Montera hörnprofilerna

Sida 13

Bild nedtill: Kontrollbild (bottenprofil med hörnprofiler): Från insidan

Sida 14

3 Förmontera gavelprofilerna

Stycklista upptill: Framsida med enkeldörr

Stycklista nedtill: Framsida med dubbeldörr

Viktig information: Detta arbetssteg upprepas senare när baksidan ska monteras (jmf. „Montera baksidan“). Tänk på att baksidan monteras på samma sätt som framsidan med dubbeldörr. Använd passande delar (se stycklista till framsida med dubbeldörr) och genomför avsedda arbetssteg.

Bild nedtill: Framsida med enkeldörr

Förhandsbild för montering / Kontrollbild (gavelprofiler): Från insidan

Beakta skruvarnas position!

Sida 15

Bild upptill: Framsida med dubbeldörr

Förhandsbild för montering / Kontrollbild (gavelprofiler): Från insidan

Beakta skruvarnas position!

Bild 3/a: Framsida med enkeldörr

Bild 3/b: Framsida med dubbeldörr

Sida 16

Viktig information: Se till att monteringsplåtarna sätts på rätt håll, dvs. enligt beskrivningen i bild 3/c och 3/d. Monteringsplåtarna ska inte justeras in exakt förrän takåsen och takrännan har monterats.

Sida 17

Viktig information: Se till att de två (framsida med enkeldörr) resp. tre (framsida med dubbeldörr) **förmonterade skruvarna i mitten** pekar inåt. Jämför med kontrollbilderna på de föregående sidorna.

Sida 18

Kontroll sida framsida – enkeldörr

Innan du fortsätter med steg 4, kontrollera med hjälp av följande bild att du har förmonterat alla skruvar som behövs till de efterföljande stegen.

Bild: Från insidan Framsida - enkeldörr

Sida 19

Kontroll sida framsida – dubbeldörr

Innan du fortsätter med steg 4, kontrollera med hjälp av följande bild att du har förmonterat alla skruvar som behövs till de efterföljande arbetsstegen.

Bild: Från insidan Framsida - dubbeldörr

Sida 20

4 Montera gavelprofilerna till taket vid hörnprofilerna

Sida 21

5 Montera tvärstöd

Viktig information Om du har ett växthus med enkeldörr, montera tvärstödet enligt beskrivningen i arbetssteg 5/a och 5/b. För hus med dubbeldörr ska tvärstödet monteras enligt beskrivningen i arbetssteg 5/c och 5/d.

Bild 5/a + 5/b: Framsida med enkeldörr

Bild 5/a: Se till att tvärstödet monteras symmetriskt.

Sida 22

Bild 5/c + 5/d: Framsida med dubbeldörr

Bild 5/c: Se till att tvärstödet monteras symmetriskt.

Sida 23

6 Montera taksträva

Sida 24

7 Montera dörrsträvor till enkeldörr

Om du har ett växthus med **dubbeldörr**, hoppa över steg 7 och fortsätt monteringen med steg 8 „Montera dörrsträvor till dubbeldörr“.

7/a: Vid de båda dörrgångjärnen vid den ena änden ska två skruvar monteras. Montera den ena skruven ca 60 cm och den andra ca 5 cm från kanten. Vid den andra änden ska en skruv monteras 30 cm och en ca 5 cm från kanten.

Sida 25

7/c: Skjut in de fyra förmonterade gångjärnsblad i styrskenan till **ett** dörrgångjärn. Se till att gångjärnsbladen skruvas fast enligt beskrivningen i bild 7/d.

Sida 26

7/e: Skruva in två sänkskruvar (pos. 3) med sexkantmuttrar M4 (pos. 4) **löst** i de båda låsplattorna.

Sida 28

7/h: Sätt emot dörrgångjärnet **från utsidan** mellan bottenprofil och tvärstöd och fäst den upptill med den förmonterade sexkantskruven. Se till att gångjärnen pekar mot mitten.

Viktig information: Dörrgångjärnet med gångjärnen sätts in **till vänster** (sett från insidan), dörrgångjärnet med låsplattorna **till höger**. Beakta kontrollbilden på nästa sida.

Sida 29

Kontrollbild från insidan

Bild: vänster profil: dörrgångjärn med gångjärn
höger profil: dörrgångjärn med låsplattor

Obs! Urtagen vid bottenprofilen och tvärstödet som markerats med X i kontrollbilden förblir fria. Se till att dörrprofilen med gångjärnen samt dörrprofilen med låsplattorna sätts in enligt beskrivningen i kontrollbilden (**sett från insidan**).

Sida 30

8 Montera dörrsträvor till dubbeldörr

Om du har ett växthus med **enkeldörr**, hoppa över steg 8 och fortsätt monteringen med steg 9 „Montera vindstöd och strävor“.

8/a: Vid de båda dörrgångjärnen vid den ena änden ska tre skruvar monteras. Montera skruvarna ca 60 cm, en ca 30 cm och en ca 5 cm från kanten. Vid den andra änden ska en skruv monteras 30 cm och en ca 5 cm från kanten.

Sida 31

8/c + 8/d: Skjut in **fyra** förmonterade gångjärnsblad i styrskenan till **ett** dörrgångjärn (jmf. bild 8/c). Fäst **tre** gångjärnsblad vid det **andra** dörrgångjärnet. Se till att gångjärnsbladen skruvas fast enligt beskrivningen i bild 8/d så att dörren sedan kan sättas in med de passande delarna.

Sida 32

8/e: Se till att gångjärnen pekar mot mitten.

Viktig information: Dörrgångjärnet med de fyra förmonterade gångjärnen sätts in **till vänster** (sett från insidan), dörrgångjärnet med de tre gångjärnen **till höger**. Beakta kontrollbilden på sidan 34 i de tyska monteringsanvisningarna.

Sida 34

Kontrollbild från insidan

Obs! Urtagen vid bottenprofilen och tvärstödet som markerats med X i kontrollbilden förblir fria. Se till att dörrprofilerna sätts in med gångjärnen enligt beskrivningen i kontrollbilden (**sett från insidan**).

Sida 35

9 Montera vindstöd och strävor

Stycklista upptill: Framsida med enkeldörr

Stycklista nedtill: Framsida med dubbeldörr

Obs! Se till att strävorna monteras vågrätt. Kontrollera ev. med ett vattenpass.

Sida 36

Bild 9/c: Framsida med enkeldörr

Sida 37

Bild 9/c: Framsida med dubbeldörr

9/d: Montera de båda undre strävorna så att det snedställda vindstödet ligger dels framför och dels bakom strävorna (jmf. kontrollbild på nästa sida).

Sida 38

Kontrollbild (bild över framsida med enkeldörr)

Obs! Se till att strävorna monteras vågrätt. Kontrollera ev. med ett vattenpass. Dra noggrant åt skruvarna vid vindstöden och strävorna. Först därefter blir framsidan tillräckligt stabil.

Sida 39

Montera baksidan

Upprepa steg 1 till 6.

Varning! Använd i steg 1 „Förmontera bottenprofilen“ hörnplåten till botten (art.-nr. 84.620.21) i stället för kort fästvinkel (art.-nr. 84.631.51). Fäst hörnplåten med de båda övre hålen från utsidan med två extra sexkantskruvar och muttrar vid bottenprofilen.

Efter steg 6 måste du fortsätta monteringen direkt med steg 10.

10 Montera strävorna (baksida)

Sida 40

10/c: Se till att strävan med de tre förmonterade skruvarna i mitten sätts in.

Sida 42

Kontrollbild (från insidan)

Obs! Urtagen vid bottenprofilen och tvärstödet som markerats med X i kontrollbilden förblir fria. Se till att strävan med endast de tre förmonterade skruvarna befinner sig i mitten! Kontrollera avstånden mellan skruvarna.

Sida 43

11 Montera vindstöd och strävor på baksidan

Obs! Se till att strävorna monteras vågrätt. Kontrollera ev. med ett vattenpass.

Sida 45

11/d + 11/e: Montera de båda undre strävorna DT (602 mm) så att det snedställda vindstödet ligger dels framför och dels bakom strävorna (jmf. bild 11/e).

Sida 46

Obs! Se till att strävorna monteras vågrätt. Kontrollera ev. med ett vattenpass. Dra noggrant åt skruvarna vid vindstöden och strävorna. Först därefter blir framsidan tillräckligt stabil.

Sida 47

12 Förmontera bottenprofilens sida

Bild i mitten: Förhandsbild för montering av 3-fälts-hus

Bild nedtill: Förhandsbild för montering av 4-fälts-hus

Sida 48

Bild upptill: Förhandsbild för montering av 5-fälts-hus

Bild i mitten: Förhandsbild för montering av 6-fälts-hus

Bild nedtill: Förhandsbild för montering av 7-fälts-hus

Sida 49

Viktig information: Om du har ett **3-fälts-hus**, hoppa över steg 12/a och 12/b och fortsätt monteringen med steg 12/c.

Sida 50

Viktig information: Om du har ett **stålfundament** (specialtillbehör) till ditt **3-fälts-hus** måste du montera extra skruvar i bottenprofilen. Om du inte använder något stålfundament kan du hoppa över steg 12/c och fortsätta monteringen med steg 12/d.

Bild 12/c: Bottenprofil till 3-fälts-hus

12/c: Skjut in tre skruvar till mitten i varje styrskena till bottenprofilen till 3-fälts-huset (jmf. förhandsbild för montering). Dessa behövs senare till montering på ett stålfundament (specialtillbehör). Om du inte använder något stålfundament behöver dessa skruvar inte förmonteras.

12/d: Skjut in en skruv i varje styrskena till den förmonterade bottenprofilen ca 10 cm från kanten (jmf. även förhandsbild för montering).

Sida 51

13 Förmontera takrännan

Viktig information för 3-fälts-hus:

Om du har ett **3-fälts-hus** kan du hoppa över steg 13 och fortsätta monteringen med steg 15. För 3-fälts-hus behöver takrännan inte förmonteras.

Bild nedtill: Förhandsbild för montering av 4-fälts-hus

Sida 52

Bild upptill: Förhandsbild för montering av 5-fälts-hus

Bild i mitten: Förhandsbild för montering av 6-fälts-hus

Bild nedtill: Förhandsbild för montering av 7-fälts-hus

Sida 55

14 Förmontera takås

Viktig information för 3-fälts-hus:

Om du har ett **3-fälts-hus** kan du hoppa över steg 14 och fortsätta monteringen med steg 15. För 3-fälts-hus behöver takåsprofilen inte förmonteras.

Bild i mitten: Förhandsbild för montering av 4-fälts-hus

Bild nedtill: Förhandsbild för montering av 5-fälts-hus

Sida 56

Bild upptill: Förhandsbild för montering av 6-fälts-hus

Bild i mitten: Förhandsbild för montering av 7-fälts-hus

14/a: Skjut in bulten med **spårsidan framåt** i den avsedda öppningen i takåsprofilen.

Sida 58

15 Montera bottenprofilen på fram- och baksidan

15/a: Skjut in bottenprofilen (sidan) som förmonterades i steg 12 i hörnskyddet vid hörnprofilen.

Viktig information: Om du har ett **5-fälts-hus** måste de sidoplacerade bottenprofilerna monteras så att de båda kortare profilerna (1414 mm) pekar mot framsidan!

Sida 59

16 Montera takrännprofilen på fram- och baksidan

16/a: Skjut in takrännprofilen till stopp vid fram- resp. baksidan. Justera ev. in hörn- och gavelprofilerna så att takrännan kan sättas in exakt. Lossa på skruvarna vid monteringsplåten.

Viktig information: Om du har ett **5-fälts-hus** måste takrännprofilerna monteras så att de båda kortare profilerna (1414 mm) pekar mot framsidan!

Sida 60

17 Montera takåsprofilen på fram- och baksidan

17/a: Skjut in takåsen till stopp vid fram- resp. baksidan. Justera ev. in gavelprofilerna så att takåsen kan sättas in exakt. Lossa på skruvarna vid monteringsplåten.

Viktig information: Om du har ett **5-fälts-hus** måste takåsprofilen monteras så att den kortare profilen (1414 mm) pekar mot framsidan!

Sida 61

18 Montera sidosträvorna

18/a: Montera vardera en skruv ca 5 cm från kanten upptill och nedtill vid sidosträvorna. Beakta det exakta antalet för din växthusmodell.

18/b: Montera en skruv ca 5 cm från kanten nedtill vid resterande sidosträvor. Montera två skruvar upptill, dvs. en ca 10 cm och den andra ca 5 cm från kanten.

Sida 62

18/c: Montera sidosträvorna med de fyra förmonterade skruvarna (jmf. steg 18/b) vid hörnplåtarna vid bottenprofilen och takrännan.

Sida 64

19 Montera taksträvorna

Obs! I detta arbetssteg ska sidosträvorna sättas in (tak). Beakta tvunget de olika **kontrollbilderna** som hör till ditt växthus och jämför de olika **förmonterings-stegen** (steg 19/a till 19/d) med dessa bilder innan du sätter in strävorna. När du senare ska sätta in fönstervärsträvan och fönstret behöver du taksträvorna **med skruvarna som förmonterats i mitten** (jmf. bild 19/b resp. 19/d). I bilderna nedan visas var du kan sätta in fönstren i ditt växthus.

Bild nedtill: Kontrollbild för tak: 3-fälts-hus

Förklaring:

- Position för förmonterade skruvar
- 1 skruv

Sida 65

Bild upptill: Kontrollbild för tak: 4-fälts-hus

Bild nedtill: Kontrollbild för tak: 5-fälts-hus

Förklaring:

- Position för förmonterade skruvar
- 1 skruv
- 2 skruvar
- Position för förmonterade hörnplåtar vid takås och takrännan

Sida 66

Bild upptill: Kontrollbild för tak: 6-fälts-hus

Bild nedtill: Kontrollbild för tak: 7-fälts-hus

Förklaring:

- Position för förmonterade skruvar
- 1 skruv
- 2 skruvar
- Position för förmonterade hörnplåtar vid takås och takrännan

Sida 67

19/a: Beakta tvunget monteringsanvisningarna och kontrollbilden som hör till ditt växthus.

Sida 69

19/e: Fäst först sidosträvorna (förmonterade i steg 19/c och 19/d) vid hörnplåtarna till sidorna. Lägg strävorna mellan takås och takränna från utsidan.

Sida 71

20 Montera fönsterfästprofilen

Sida 72

20/b: Sätt in fönsterfästprofilen från insidan mellan sidosträvorna (tak) med **skruvarna som har förmonterats i mitten** (jmf. kontrollbilder till steg 19). Se till att uttagen för skruvarna pekar nedåt (jmf. bild 20/c).

Sida 73

21 Montera hörnplåtarna

Viktig information: Om du har ett **3-fälts-hus** kan du hoppa över steg 21 och fortsätta monteringen med steg 22.

21/a: Fäst hörnplåtarna 120° vid strävorna där du redan har förmonterat skruvarna.

Sida 74

21/b: Fäst till slut en hörnplåt 120° upptill vid strävorna där du redan har förmonterat skruvarna.

Sida 75

22 Montera vindstöd till sidan

Obs! När du monterar vindstöden till sidan måste du se till att dessa vindstöd sätts in enligt beskrivningen i resp. **förhandsbilder till montering / kontrollbilder till sidan.**

Bild nedtill: Förhandsbild till montering / kontrollbild sida: 3-fälts-hus

Sida 76

Bild upptill: Förhandsbild till montering / kontrollbild sida: 4-fälts-hus

Bild nedtill: Förhandsbild till montering / kontrollbild sida: 5-fälts-hus

Sida 77

Bild upptill: Förhandsbild till montering / kontrollbild sida: 6-fälts-hus

Bild nedtill: Förhandsbild till montering / kontrollbild sida: 7-fälts-hus

Sida 79

23 Montera vindstöd till tak

Obs! När du monterar vindstöden till taket måste du se till att dessa vindstöd sätts in enligt beskrivningen i resp. **förhandsbilder till montering / kontrollbilder till taket.** Detta krävs för att huset ska bli så stabilt som möjligt. I leveransomfattningen till **3-fälts-, 5-fälts- och 6-fälts-huset** ingår fler vindstöd än du behöver till monteringen.

Bild nedtill: Förhandsbild till montering / kontrollbild tak: 3-fälts-hus

Sida 80

Bild upptill: Förhandsbild till montering / kontrollbild tak: 4-fälts-hus

Bild nedtill: Förhandsbild till montering / kontrollbild tak: 5-fälts-hus

Sida 81

Bild upptill: Förhandsbild till montering / kontrollbild tak: 6-fälts-hus

Bild nedtill: Förhandsbild till montering / kontrollbild tak: 7-fälts-hus

Viktig information: Tänk på att inget vindstöd sätts in i de båda mellersta segmenten vid 7-fälts-huset.

Sida 83

Montera fundamentet

Viktig information: Innan du fortsätter monteringen enligt **del 2** i monteringsanvisningarna måste du ställa växthuset på sin slutgiltiga plats och fixera vid **fundamentet** (betong-, mur- eller stålfundament)! Därefter kan växthuset inte längre flyttas. Ställ ditt växthus på ett **betong- / murfundament** och fortsätt sedan med monteringen med detta arbetssteg.

Om du har köpt ett **stålfundament** (ingår inte i leveransen) som tillbehör kan du montera detta enligt instruktionerna för stålfundamentet.

Förankning på betong- / murfundament

Följande monteringsmaterial behövs för att förankra växthuset på ett betong-/murfundament (medföljer ej):

- **Pluggar**
- **Träskruvar med sexkantskalle**
- **Distansbrickor**

Utav varje position behövs 1 st till varje bottenhörnplåt och 2 st till varje hörnplåt till marken och till fästvinkeln.

Varning!

Använd **pluggar som är lämpliga** för betong-/murfundament!

Borra upp passande hål i fundamentet till dessa pluggar. Ställ först huset på fundamentet och rita in markeringarna vid (fäst-)vinklarna.

Sida 86

Specialtillbehör (ingår ej i leveransen)

Art.-nr. 36.405.90: Förankringsset BD4-set (4 st jordankare)

Art.-nr. 36.405.91: Förankringsset BD6-set (6 st jordankare)

Obs!

Med hjälp av förankringssetet kan du fästa ditt växthus eller stålfundament i marken. Se efter i nedanstående översikt för att ta reda på hur många förankringssets som krävs till ditt växthus. Positionerna där de enskilda jordankarna ska monteras är märkta med cirklar. För att du ska kunna bestämma den exakta positionen för jordankarna måste du först ställa växthuset på sin slutgiltiga plats. Markera därefter de ställen där jordankare ska skruvas in.

Bild i mitten: Vy uppifrån, 3-fälts-hus Erforderliga förankringssets: 2 st BD4-set (art.-nr. 36.405.90)

Bild nedtill: Vy uppifrån, 4-fälts-hus Erforderliga förankringssets: 1 st BD4-set Set (art.-nr. 36.405.90) + 1 st BD6-set (art.-nr. 36.405.91)

Sida 87

Bild upptill: Vy uppifrån, 5-fälts-hus Erforderliga förankringssets: 1 st BD4-set Set (art.-nr. 36.405.90) + 1 st BD6-set (art.-nr. 36.405.91)

Bild i mitten: Vy uppifrån, 6-fälts-hus Erforderliga förankringssets: 1 st BD4-set Set (art.-nr. 36.405.90) + 1 st BD6-set (art.-nr. 36.405.91)

Bild nedtill: Vy uppifrån, 7-fälts-hus Erforderliga förankringssets: 1 st BD4-set Set (art.-nr. 36.405.90) + 1 st BD6-set (art.-nr. 36.405.91)

I Avvertenze di montaggio e di sicurezza / Lista degli utensili

Ai nostri clienti

Vi ringraziamo per aver scelto un prodotto Einhell e vi auguriamo grandi soddisfazioni con la vostra serra. Con questa serra in alluminio possedete una serra progettata con massima cura i cui profilati sono molto stabili. Grazie alla struttura compatta e modulare è possibile un montaggio veloce.

Le istruzioni per il montaggio sono divise in due parti: „Profilati di alluminio“ e „Pannelli con bordo“. Leggete **assolutamente in modo completo** entrambe le parti delle istruzioni prima del montaggio della serra per evitare errori di montaggio o danni! Conservate le istruzioni in luogo sicuro anche dopo il montaggio!

Profilati in alluminio:

I singoli numeri dell'articolo sono punzonati nei rispettivi profilati di alluminio. Controllate i numeri punzonati prima di montare i singoli profilati.

Portate il materiale di imballaggio agli appositi centri di raccolta.

Lista degli utensili

Come utensili per il montaggio avete bisogno di:



chiave a tubo
○ misura 7
○ misura 10



cacciavite a punta piana (misura 2-3)



cacciavite a punta a croce (misura 2-3)



chiave a brugola (misura 4)



chiave fissa o chiave ad anello (misura 10 / 13)



martello di gomma



punta per trapano Ø 2,0 mm



punta per trapano per pietra



trapano o avvitatore a batteria



metro o metro pieghevole



livella



scala pieghevole di sicurezza



forbici

Avvertenze di sicurezza importanti per il montaggio

- Consigliamo di eseguire il montaggio con **2 persone**.
- Per evitare degli incidenti durante il montaggio non ci devono essere **bambini** nelle immediate vicinanze.
- Durante il montaggio dei profilati in alluminio mettetevi **guanti protettivi! Pericolo di taglio e di schiacciamento!**
- Dopo avere montato completamente la serra, serrate di nuovo tutti i collegamenti a vite **con la chiave fissa o la chiave ad anello!**

Avvertenza

Il costruttore non è responsabile per danni causati da tempesta, vento, acqua e carico della neve. Non ci assumiamo la garanzia per il risarcimento di danni conseguenti o danni al patrimonio. Ci riserviamo la realizzazione di innovazioni nel senso del progresso tecnico. Per questo motivo ne possono risultare delle piccole differenze nelle figure.

In caso di danni visibili ai componenti questi devono essere sostituiti con pezzi di ricambio originali. Una lista completa dei singoli pezzi la trovate nella Parte 2 delle istruzioni per il montaggio.

Attenzione:

in tutti i sacchetti di montaggio sono contenute viti e dadi supplementari di riserva!

Durante il montaggio della serra accertatevi che i **profilati siano ad angolo retto!**

Controllate sempre la posizione orizzontale o verticale dei profilati con una **livella**.

Fate attenzione che i profilati vengano montati **nelle posizioni finali definite sempre fino alla battuta**.

Avvertenze circa le istruzioni di montaggio:

Nelle istruzioni di montaggio il **modello a 5 pannelli** (2 pannelli + 3 pannelli) serve come modello di riferimento. Nei disegni generali viene rappresentato sempre questo modello. Le altre serre si distinguono rispetto a questo modello solo per il numero dei pannelli. Se avete acquistato uno degli altri modelli, osservate le rispettive avvertenze di montaggio per la vostra serra.

Avvertenze per l'uso / Fondazioni / Schema delle fondazioni

Avvertenze per l'uso

- Ogni tre mesi controllate i collegamenti a vite ed eventualmente serrateli.
- Dopo forti raffiche di vento o dopo una tempesta controllate i collegamenti a vite e la posizione corretta dei pannelli con bordo.
- In caso di vento forte o di tempesta chiudete le finestre e le porte della serra.
- Nelle zone soggette a tempeste dovete inoltre assicurare la serra tramite un ancoraggio particolare (non compreso tra gli elementi forniti).
- In caso di temperature sotto il punto di congelamento (0°C) non battete contro i pannelli con bordo con oggetti duri.
- Togliete sempre la neve dal tetto della serra per tempo in modo che non si possa raggiungere un carico di neve pericoloso. Può già essere pericoloso uno spessore di neve di 10 cm o di ghiaccio di 2 cm!
- Il tetto della serra non è percorribile!
- Non usate fiamme libere o simili nella serra! Solo usate apparecchi di riscaldamento omologati!
- Osservate il Regolamento locale per l'edilizia.

Fondazioni

Attenzione: La serra non ha nessun profilato speciale per le fondazioni. Potete mettere la serra su una fondazione in muratura o in calcestruzzo prima costruita (si veda lo schema delle fondazioni) oppure potete montare la serra su fondazioni in acciaio (si possono avere come accessori).



Attenzione

Se non volete mettere la serra su fondazioni in muratura o calcestruzzo, accertatevi di installare la serra su una base livellata e stabile. Controllate la planarità tramite una livella!

Fondazioni in calcestruzzo / muratura

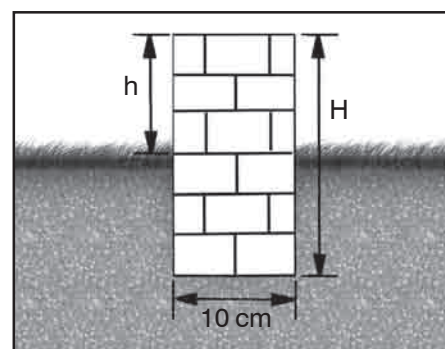
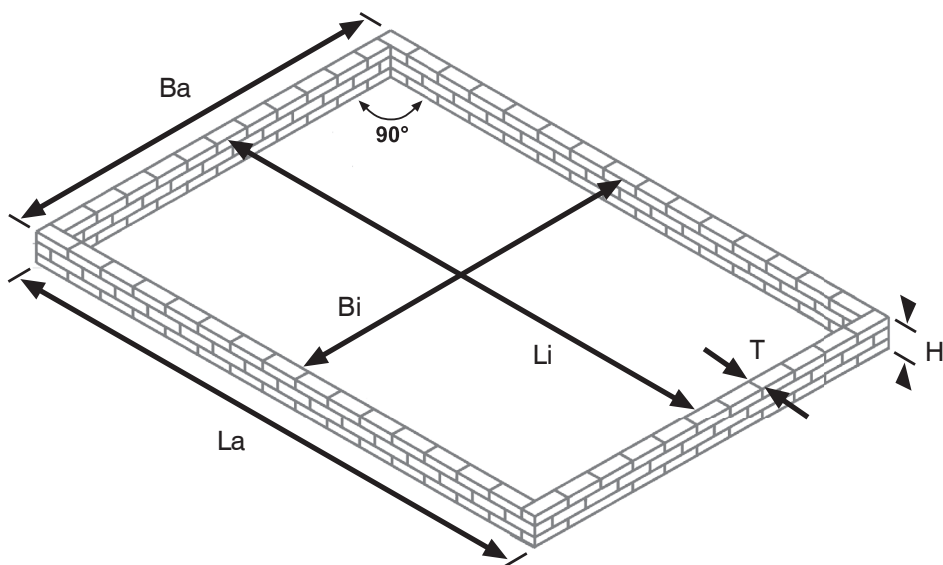
La disposizione ad angolo retto delle fondazioni è molto importante per il montaggio della serra. Le fondazioni devono essere esattamente ad angolo retto e in orizzontale. Controllate con una livella.

Attenzione: Le fondazioni devono avere una profondità non raggiunta dal ghiaccio.

Schema delle fondazioni

Fondazioni in calcestruzzo o in muratura

| Serra | La (cm) | Li (cm) | Ba (cm) | Bi (cm) | T (cm) | H (cm) |
|-------------------|---------|---------|---------|---------|--------|---------------|
| 3 pannelli | 224 | 204 | 259 | 239 | 10 | 30 a |
| 4 pannelli | 295 | 275 | 259 | 239 | 10 | 30 una |
| 5 pannelli | 366 | 346 | 259 | 239 | 10 | 30 profondità |
| 6 pannelli | 437 | 417 | 259 | 239 | 10 | 30 senza |
| 7 pannelli | 508 | 488 | 259 | 239 | 10 | 30 ghiaccio |



Le fondazioni devono avere una **larghezza di almeno 10 cm (l)** e un'altezza (a) secondo necessità! Le fondazioni devono essere ad **angolo retto** e in orizzontale.

Lista di imballaggio profilati in alluminio

Ricevete i profilati in alluminio della vostra serra imballati in più scatoloni.

3 pannelli

Profilati in alluminio

| N. imballaggio | Contenuto |
|------------------|---|
| 36.505.30 | Profilati in alluminio - Parete anteriore con porta singola |
| 36.505.32 | Profilati in alluminio - parete posteriore |
| 36.505.34 | Profilati in alluminio - 3 pannelli |

4 pannelli con porta singola

Profilati in alluminio

| N. imballaggio | Contenuto |
|------------------|---|
| 36.505.30 | Profilati in alluminio - Parete anteriore con porta singola |
| 36.505.32 | Profilati in alluminio - parete posteriore |
| 36.505.33 | Profilati in alluminio - 2 pannelli |
| 36.505.33 | Profilati in alluminio - 2 pannelli |
| 36.505.35 | Set di collegamento |

4 pannelli con porta doppia

Profilati in alluminio

| N. imballaggio | Contenuto |
|------------------|--|
| 36.505.31 | Profilati in alluminio - Parete anteriore con porta doppia |
| 36.505.32 | Profilati in alluminio - parete posteriore |
| 36.505.33 | Profilati in alluminio - 2 pannelli |
| 36.505.33 | Profilati in alluminio - 2 pannelli |
| 36.505.35 | Set di collegamento |

5 pannelli con porta singola

Profilati in alluminio

| N. imballaggio | Contenuto |
|------------------|---|
| 36.505.30 | Profilati in alluminio - Parete anteriore con porta singola |
| 36.505.32 | Profilati in alluminio - parete posteriore |
| 36.505.33 | Profilati in alluminio - 2 pannelli |
| 36.505.34 | Profilati in alluminio - 3 pannelli |
| 36.505.35 | Set di collegamento |

5 pannelli con porta doppia

Profilati in alluminio

| N. imballaggio | Contenuto |
|------------------|--|
| 36.505.31 | Profilati in alluminio - Parete anteriore con porta doppia |
| 36.505.32 | Profilati in alluminio - parete posteriore |
| 36.505.33 | Profilati in alluminio - 2 pannelli |
| 36.505.34 | Profilati in alluminio - 3 pannelli |
| 36.505.35 | Set di collegamento |

6 pannelli

Aluminium-Profile

| N. imballaggio | Contenuto |
|------------------|--|
| 36.505.31 | Profilati in alluminio - Parete anteriore con porta doppia |
| 36.505.32 | Profilati in alluminio - parete posteriore |
| 36.505.34 | Profilati in alluminio - 3 pannelli |
| 36.505.34 | Profilati in alluminio - 3 pannelli |
| 36.505.35 | Set di collegamento |

7 pannelli

Aluminium-Profile

| N. imballaggio | Contenuto |
|------------------|--|
| 36.505.31 | Profilati in alluminio - Parete anteriore con porta doppia |
| 36.505.32 | Profilati in alluminio - parete posteriore |
| 36.505.33 | Profilati in alluminio - 2 pannelli |
| 36.505.33 | Profilati in alluminio - 2 pannelli |
| 36.505.34 | Profilati in alluminio - 3 pannelli |
| 36.505.35 | Set di collegamento |
| 36.505.35 | Set di collegamento |

Avvertenze sulle fasi di montaggio

Per il montaggio della serra seguite l'ordine e le illustrazioni nelle istruzioni di montaggio tedesche. In questo opuscolo allegato ricevete inoltre tutte le importanti avvertenze di montaggio e tutti i testi nella vostra lingua. Negli esempi seguenti vi viene presentata la struttura delle singole fasi di montaggio e delle illustrazioni nelle istruzioni tedesche.

Schema generale

Nella colonna destra del testo trovate le rispettive rappresentazioni generali dell'attuale procedimento di montaggio. I pezzi utilizzati in questa fase sono rappresentati più scuri e i punti per i quali ci sono illustrazioni dettagliate sono indicate con cerchi. Questi simboli vengono in parte utilizzati anche per disegni generali di montaggio o viste di controllo.

Fase di montaggio

Lista dei pezzi

All'inizio di ogni fase di montaggio trovate una tabella con i singoli pezzi necessari in questa fase. La tabella è suddivisa in 6 colonne: numero dell'articolo, numero della posizione, figura, denominazione dell'articolo, dimensioni o lunghezza, quantità necessaria.

A partire dalla fase 12 sono necessarie, a seconda del modello di serra acquistato, diverse quantità di pezzi singoli. In queste tabelle le indicazioni della quantità vengono suddivise in 5 colonne (dal modello di serra a 3 pannelli fino a quello a 7 pannelli). Identificate i rispettivi pezzi sulla base del numero dell'articolo punzonato, della figura e della rispettiva indicazione della lunghezza o delle dimensioni.

Avvertenza per il montaggio

A partire dalla fase 12 le operazioni devono essere spesso ripetute per un numero diverso di volte. Ciò dipende dal modello di serra acquistato (da 3 a 7 pannelli). Fate attenzione al rispettivo numero per il vostro modello.

Viste dei profilati

Nelle figure dettagliate vengono spesso mostrate ulteriori viste dei profilati per una migliore comprensione.

Utensili

Qui vengono raffigurati gli utensili necessari in questa fase.

Ripetizione della fase

Ripetizione della fase il numero delle ripetizioni viene indicato nel riquadro per le avvertenze se le operazioni nelle figure dettagliate devono essere eseguite più volte.

19 Dachstreben montieren

| Artikel-Nr. | Pos. | Form | Benennung | Größe (mm) | Menge | | | | |
|-------------|------|------|-----------------------------|------------|-----------|-----------|-----------|-----------|-----------|
| | | | | | 3 Fenster | 4 Fenster | 5 Fenster | 6 Fenster | 7 Fenster |
| 84.080.08 | 1 | | Seitenstrebe | 1395 | 4 | 6 | 8 | 10 | 12 |
| 50.041.90 | 2 | | Sechskantschraube | M6x12 | 10 | 24 | 28 | 32 | 46 |
| 51.048.11 | 3 | | Sechskantmutter mit Flansch | M6 | 10 | 24 | 28 | 32 | 46 |

19/a Innenansicht

19/b Übersicht

Hinweis: Befestigen Sie zunächst die in den Schritten 19/a und 19/b vormontierten Seitenstreben an den Knotenblechen Seite. Legen Sie die Streben von außen zwischen First und Regenrinne. Lockern Sie die oben vormontierte Schraube an der Seitenstrebe und schieben sie in die Aussparung am First. Ziehen Sie die Mutter wieder fest.

Montagehinweis:

| | | | |
|---|--------------|---|--------------|
| 3 | 4x montieren | 4 | 4x montieren |
| 5 | 6x montieren | 6 | 6x montieren |
| 7 | 8x montieren | 8 | 8x montieren |

2 Eckprofile montieren

| Artikel-Nr. | Pos. | Form | Benennung | Größe (mm) | Menge |
|-------------|------|------|-----------------------------|------------|-------|
| 84.080.04 | 1 | | Eckprofil Seite | 1395 | 2 |
| 50.041.90 | 2 | | Sechskantschraube | M6x12 | 12 |
| 51.048.11 | 3 | | Sechskantmutter mit Flansch | M6 | 12 |

2/a

2/b Innenansicht Außenansicht

Übersicht (Vorderwand):

Werkzeug:

Hinweis:

2/a Schieben Sie in eine Führungsschiene zwei Schrauben jeweils zirka 5 cm von beiden Enden entfernt. In der anderen werden vier Schrauben vormontiert; jeweils zwei zirka 30 cm und zwei zirka 5 cm vom Rand entfernt (vgl. Detailsichten).

2/b Stellen Sie das Eckprofil auf das Bodenprofil. Achten Sie darauf, dass die Führungsschiene mit den vier vormontierten Schrauben zum Bodenprofil zeigt (vgl. Kontrollansicht auf der nächsten Seite).



Avvertenza importante:

Alle pagine seguenti trovate i testi nella vostra lingua. Questi sono ordinati secondo il numero della pagina (istruzioni in tedesco) e la fase di montaggio, permettendovi di abbinare facilmente i rispettivi testi alle istruzioni in tedesco.

Avvertenze di montaggio:

pagina 7

Montaggio del gruppo parete anteriore

1 Premontaggio del profilato di base

Avvertenza importante: Per facilitare il lavoro la parete anteriore e quella posteriore dovrebbero venire montate adagiate per terra.

Figura in basso: disegno di montaggio parete anteriore con porta singola

pagina 8

Figura in alto: parete anteriore con porta doppia

1/a: spingete nelle guide di entrambe i profilati di base rispettivamente un pezzo di collegamento fino alle cavità corrispondenti (cfr. Fig.). Per le posizioni esatte si vedano i rispettivi disegni di montaggio per la vostra serra.

pagina 9

1/c: fissate il raccordo al profilato di base con una vite supplementare. Badate che questa vite venga inserita **a sinistra** sul raccordo montato a sinistra e **a destra** sul raccordo montato a destra (cfr. disegno di montaggio particolare A e particolare B).

pagina 11

1/g: verificate che il collegamento d'angolo della base sia collegato al profilato di base come nella Fig. 1/g.

pagina 12

2 Montaggio dei profilati d'angolo

pagina 13

Figura in basso: vista di controllo (profilato di base con profilati d'angolo): vista dall'interno

pagina 14

3 Premontaggio dei profilati del colmo

Lista dei pezzi in alto: parete anteriore con porta singola

Lista dei pezzi in basso: parete anteriore con porta doppia

Avvertenza importante: Questa fase viene ripetuta più avanti nel montaggio della parete posteriore (cfr. montaggio del gruppo parete posteriore) Tenete presente che la parete posteriore viene montata in modo analogo alla parete anteriore con porta doppia.

Utilizzate i componenti ed effettuate le operazioni corrispondenti (lista dei pezzi parete anteriore con porta doppia).

Figura in basso: parete anteriore con porta singola disegno di montaggio / vista di controllo (profilati del colmo): vista dall'interno

Fate attenzione alla posizione delle viti!

pagina 15

Figura in alto: parete anteriore con porta doppia disegno di montaggio / vista di controllo (profilati del colmo): vista dall'interno

Fate attenzione alla posizione delle viti!

Figura 3/a: parete anteriore con porta singola

Figura 3/b: parete anteriore con porta doppia

pagina 16

Avvertenza importante: Fate attenzione che le lamiere di montaggio siano orientate come nelle figure 3/c e 3/d. La regolazione di precisione delle lamiere di montaggio viene eseguita più tardi al momento dell'inserimento del frontone e della grondaia.

pagina 17

Avvertenza importante: Assicuratevi che le due (parete anteriore con porta singola) o tre (parete anteriore con porta doppia) **viti premontate in centro** siano orientate verso l'interno. Confrontate a tal fine le rispettive viste di controllo alle pagine precedenti.

pagina 18

Pagina di controllo parete anteriore - porta singola

Prima di procedere con la fase 4 controllate di aver montato tutte le viti necessarie per la fase successiva servendovi della figura seguente.

Figura: vista dall'interno parete anteriore - porta singola

pagina 19

Pagina di controllo parete anteriore - porta doppia

Prima di procedere con la fase 4 controllate di aver montato tutte le viti necessarie per la fase successiva servendovi della figura seguente.

Figura: vista dall'interno parete anteriore - porta doppia

pagina 20

4 Montaggio dei profilati del colmo del tetto sui profilati d'angolo

pagina 21

5 Montaggio della barra trasversale

Avvertenza importante: Se avete una serra con porta singola, montate la barra trasversale come descritto nelle fasi 5/a e 5/b. Per la serra con porta doppia montate la barra trasversale come spiegato nelle fasi 5/c e 5/d.

Figura 5/a e 5/b: parete anteriore con porta singola

Figura 5/a: assicuratevi che la barra trasversale sia montata in modo simmetrico.

pagina 22

Figura 5/c e 5/d: parete anteriore con porta doppia

Figura 5/c: assicuratevi che la barra trasversale sia montata in modo simmetrico.

pagina 23

6 Montaggio del rinforzo del tetto

pagina 24

7 Porta singola - montaggio dei rinforzi della porta

Se avete una serra con **porta doppia**, saltate la fase 7 e proseguite il montaggio con la fase 8 „Porta doppia - montaggio dei rinforzi della porta“.

7/a: montate su entrambi i cardini della porta ad una delle estremità una vite distante circa 60 cm dal bordo e una distante circa 5 cm.

Sull'altra estremità viene fissata una vite a circa 30 cm dal bordo ed una a circa 5 cm.

pagina 25

7/c: spingete i quattro battenti a cerniera premontati nella guida di **un** cardine della porta. Assicuratevi di avvitare il battente a cerniera come mostrato in Fig. 7/d.

pagina 26

7/e: su ognuna delle due piastre della serratura vengono avvitate **non troppo saldamente** due viti a testa svasata (Pos. 3) con dadi a testa esagonale M4 (Pos. 4).

pagina 28

7/h: posizionate dall'**esterno** il cardine della porta fra il profilato di base e la barra trasversale e fissatelo in alto con la vite a testa esagonale già montata.

Assicuratevi che le cerniere siano orientate verso il centro.

Avvertenza importante: Il cardine della porta con le cerniere viene inserito **a sinistra** (osservando la costruzione dall'interno), il cardine della porta con le piastre della serratura **a destra**. Osservate a tal fine la vista di controllo alla pagina seguente.

pagina 29

Vista di controllo dall'interno

Figura: profilato sinistro: cardine della porta con cerniere

profilato destro: cardine della porta con piastre della serratura

Avvertenza: Le cavità sul profilato di base e sulla barra trasversale contrassegnate con una X restano vuote. Assicuratevi di aver inserito il profilato della porta con le cerniere e quello con le piastre della serratura come nella vista di controllo (**vista dall'interno!**).

pagina 30

8 Porta doppia - montaggio dei rinforzi della porta

Se avete una serra con **porta singola**, saltate la fase 8 e proseguite il montaggio con la fase 9 „Montaggio dei rinforzi per il vento e delle controventature“.

8/a: montate su entrambi i cardini della porta ad una delle estremità una vite distante circa 60 cm dal bordo, una distante circa 30 cm ed una terza distante circa 5 cm. Sull'altra estremità viene fissata una vite a circa 30 cm dal bordo ed una a circa 5 cm.

pagina 31

8/c e 8/d: spingete i **quattro** battenti a cerniera già montati nella guida di **un** cardine della porta (cfr. Fig. 8/c). Al **secondo** cardine della porta vengono fissati **tre** battenti a cerniera.

Assicuratevi di avvitare i battenti a cerniera come mostrato in Fig. 8/d per poter inserire in seguito la porta con i pezzi corrispondenti adatti.

pagina 32

8/e: Assicuratevi che le cerniere siano orientate verso il centro.

Avvertenza importante: Il cardine della porta con le quattro cerniere già montate viene inserito **a sinistra** (osservando la costruzione dall'interno), il cardine della porta con le tre cerniere **a destra**. Osservate a tal fine la vista di controllo a pagina 34 delle istruzioni di montaggio in tedesco.

pagina 34

Vista di controllo dall'interno

Avvertenza: Le cavità sul profilato di base e sulla barra trasversale contrassegnate con una X restano vuote. Assicuratevi di inserire i profilati della porta con le cerniere come nella vista di controllo (vista dall'interno!).

pagina 35

9 Montaggio dei rinforzi per il vento e delle controventature

Lista dei pezzi in alto: parete anteriore con porta singola

Lista dei pezzi in basso: parete anteriore con porta doppia

Avvertenza Assicuratevi che le controventature siano montate orizzontalmente. Controllate eventualmente con una livella!

pagina 36

Figura 9/c: parete anteriore con porta singola

pagina 37

Figura 9/c: parete anteriore con porta doppia

9/d: montate le due controventature inferiori in modo tale che il rinforzo per il vento si trovi una volta davanti ed una volta dietro le controventature (cfr. vista di controllo alla pagina seguente).

pagina 38

Vista di controllo (fig. parete anteriore con porta singola)

Avvertenza: Assicuratevi che le controventature siano montate orizzontalmente. Controllate eventualmente con una livella! Avvitare con accuratezza e saldamente le viti sui rinforzi per il vento e sulle controventature. Da queste dipende la stabilità della parete anteriore.

pagina 39

Montaggio del gruppo parete posteriore

Ripetete le fasi da 1 a 6.

Attenzione: Utilizzate nella fase 1 „Premontaggio del profilato di base“, al posto dell'**angolo di fissaggio corto (n. art. 84.631.51)**, il **raccordo di base (n. art. 84.620.21)**. Fissate ulteriormente dall'esterno il raccordo al profilato di base in corrispondenza dei due fori superiori con due viti a testa esagonale e dadi.

Una volta ultimata la fase 6 proseguite il montaggio direttamente con la fase 10.

10 Montaggio dei rinforzi (parete posteriore)

pagina 40

10/c: assicuratevi che il rinforzo con le tre viti già montate sia inserito in centro.

pagina 42

Vista di controllo (vista dall'interno)

Avvertenza: Le cavità sul profilato di base e sulla barra trasversale contrassegnate con una X restano vuote. Assicuratevi che il rinforzo con le sole tre viti già montate si trovi in centro! Controllate la distanza delle viti.

pagina 43

11 Montaggio dei rinforzi per il vento e delle controventature alla parete posteriore

Avvertenza: Assicuratevi che le controventature siano montate orizzontalmente. Controllate eventualmente con una livella!

pagina 45

11/d e 11/e: montate le due controventature inferiori DT (602) in modo tale che il rinforzo per il vento si trovi una volta davanti ed una volta dietro le controventature (cfr. fig. 11/e).

pagina 46

Avvertenza: Assicuratevi che le controventature siano montate orizzontalmente. Controllate eventualmente con una livella! Avvitare con accuratezza e saldamente le viti sui rinforzi per il vento e sulle controventature. Da queste dipende la stabilità della parete anteriore.

pagina 47

12 Premontaggio del profilato per la base laterale

Figura centrale: disegno di montaggio serra a 3 pannelli

Figura in basso: disegno di montaggio serra a 4 pannelli

pagina 48

Figura in alto: disegno di montaggio serra a 5 pannelli

Figura centrale: disegno di montaggio serra a 6 pannelli

Figura in basso: disegno di montaggio serra a 7 pannelli

pagina 49

Avvertenza importante: Se avete una serra a **3 pannelli**, saltate le fasi 12/a e 12/b e proseguite il montaggio con la fase 12/c.

pagina 50

Avvertenza importante: Se avete acquistato delle **fondazioni in acciaio** per la vostra serra a **3 pannelli** (accessori speciali), è necessario montare delle viti supplementari al profilato di base. Se non utilizzate fondazioni in acciaio saltate la fase 12/c e proseguite il montaggio con la fase 12/d.

Figura 12/c: profilato di base serra a 3 pannelli

12/c: spingete nella guida di ogni profilato di base per la serra a 3 pannelli tre viti fino al centro (cfr. disegno di montaggio). Queste sono necessarie in seguito per il fissaggio alle fondazioni in acciaio (accessori speciali). Se non utilizzate fondazioni in acciaio non dovete montare queste viti.

12/d: spingete in ogni guida dei profilati di base premontati una vite ad una distanza di circa 10 cm dal bordo (cfr. anche il disegno di montaggio).

pagina 51

13 Premontaggio della grondaia

Avvertenza importante per la serra a 3 pannelli: Se avete una **serra a 3 pannelli**, saltate la fase 13 e proseguite il montaggio con la fase 15. Per la serra a tre pannelli non è necessario il premontaggio della grondaia.

Figura in basso: disegno di montaggio serra a 4 pannelli

pagina 52

Figura in alto: disegno di montaggio serra a 5 pannelli

Figura centrale: disegno di montaggio serra a 6 pannelli

Figura in basso: disegno di montaggio serra a 7 pannelli

pagina 55

14 Premontaggio del colmo

Avvertenza importante per la serra a 3 pannelli: Se avete una **serra a 3 pannelli**, saltate la fase 14 e proseguite il montaggio con la fase 15. Per la serra a tre pannelli non è necessario il premontaggio del profilato del colmo.

Figura centrale: disegno di montaggio serra a 4 pannelli

Figura in basso: disegno di montaggio serra a 5 pannelli

pagina 56

Figura in alto: disegno di montaggio serra a 6 pannelli

Figura centrale: disegno di montaggio serra a 7 pannelli

14/a: infilate il bullone con il **lato scanalato in avanti** nell'apertura prevista del profilato del colmo.

pagina 58

15 Montaggio del profilato di base alla parete anteriore e posteriore

15/a: spingete il profilato di base già montato nella fase 12 (lato) nella copertura angolare sul profilato d'angolo.

Avvertenza importante: Se avete una serra a **5 pannelli**, i profilati di base laterali devono essere montati in modo tale che i due profilati più corti (1414 mm) siano orientati verso la parete anteriore!

pagina 59

16 Montaggio del profilato della grondaia alla parete anteriore e posteriore

16/a: spingete il profilato della grondaia fino alla battuta sulla parete anteriore e/o posteriore. Se necessario, orientate nuovamente i profilati d'angolo e del colmo in modo che la grondaia possa essere inserita in maniera esatta. A tal fine devono essere allentate le viti sulla lamiera di montaggio.

Avvertenza importante: Se avete una serra a **5 pannelli**, i profilati di della grondaia devono essere montati in modo tale che i due profilati più corti (1414 mm) siano orientati verso la parete anteriore!

pagina 60

17 Montaggio del profilato del colmo alla parete anteriore e posteriore

17/a: spingete il colmo fino alla battuta sulla parete anteriore e/o posteriore. Se necessario, orientate nuovamente i profilati del colmo in modo che questo possa essere inserito in maniera esatta. A tal fine devono essere allentate le viti sulla lamiera di montaggio.

Avvertenza importante: Se avete una serra a **5 pannelli**, il profilato del colmo deve essere montato in modo tale che il profilato più corto (1414 mm) sia orientato verso la parete anteriore!

pagina 61

18 Montaggio dei rinforzi laterali

18/a: montate sui rinforzi laterali in alto ed in basso rispettivamente una vite a circa 5 cm di distanza dal bordo. Osservate il numero esatto per la vostra serra.

18/b: montate sui rinforzi laterali restanti una vite a circa 5 cm di distanza dal bordo in basso. In alto vengono posizionate due viti, una a circa 10 cm, l'altra a circa 5 cm di distanza dal bordo.

pagina 62

18/c: montate i rinforzi laterali con le quattro viti premontate (cfr. fase 18/b) sul raccordo del profilato di base e della grondaia.

pagina 64

19 Montaggio dei rinforzi del tetto

Avvertenza: Nella fase seguente vengono inseriti i rinforzi laterali (tetto). Osservate assolutamente le rispettive **viste di controllo** per la vostra serra e confrontate le **fasi di premontaggio** (fase 19/a fino a 19/d) con tali figure prima di inserire i rinforzi.

Avrete bisogno dei rinforzi del tetto con le **viti già montate in centro** (cfr. Fig. 19/b o 18/d) in seguito per l'inserimento della barra trasversale della finestra e della finestra. Nelle figure seguenti potete vedere dove vengono posizionate le finestre nella vostra serra.

Figura in basso: vista di controllo tetto: serra a 3 pannelli

Legenda:

- Posizione della vite premontata
- 1 vite

pagina 65

Figura in alto: vista di controllo tetto: serra a 4 pannelli

Figura in basso: vista di controllo tetto: serra a 5 pannelli

Legenda:

- Posizione della vite premontata
- 1 vite
- 2 viti
- Posizione dei raccordi già montati su colmo e grondaia

pagina 66

Figura in alto: vista di controllo tetto: serra a 6 pannelli

Figura in basso: vista di controllo tetto: serra a 7 pannelli

Legenda:

- Posizione della vite premontata
- 1 vite
- 2 viti
- Posizione dei raccordi già montati su colmo e grondaia

pagina 67

19/a: osservate assolutamente l'avvertenza di montaggio e la vista di controllo per la vostra serra.

pagina 69

19/e: fissate per prima cosa i rinforzi laterali già montati nella fasi 19/c e 19/d ai raccordi laterali. Posizionate dall'esterno i rinforzi fra colmo e grondaia.

pagina 71

20 Montaggio del profilato della battuta della finestra

pagina 72

20/b: posizionate dall'interno il profilato della battuta della finestra fra i rinforzi laterali (tetto) con le **viti premontate in centro** (cfr. viste di controllo fase 19). Assicuratevi che le cavità per le viti siano orientate verso il basso (cfr. Fig. 20/c)

pagina 73

21 Montaggio dei raccordi

Avvertenza importante: Se avete una **serra a 3 pannelli**, saltate la fase 21 e proseguite il montaggio con la fase 22.

21/a: fissate i raccordi con un angolo di 120° ai rinforzi su cui avevate in precedenza già montato le viti.

pagina 74

21/b: fissate poi i raccordi con un angolo di 120° in alto ai rinforzi del tetto su cui avevate in precedenza già montato le viti.

pagina 75

22 Montaggio dei rinforzi per il vento laterali

Avvertenza: Fate attenzione che il montaggio dei rinforzi per il vento laterali avvenga come descritto nei rispettivi **disegni di montaggio** / nelle relative **viste di controllo laterali**.

Figura in basso: disegno di montaggio / vista di controllo laterale: serra a 3 pannelli

pagina 76

Figura in alto: disegno di montaggio / vista di controllo laterale: serra a 4 pannelli

Figura in basso: disegno di montaggio / vista di controllo laterale: serra a 5 pannelli

pagina 77

Figura in alto: disegno di montaggio / vista di controllo laterale: serra a 6 pannelli

Figura in basso: disegno di montaggio / vista di controllo laterale: serra a 7 pannelli

pagina 79

23 Montaggio dei rinforzi per il vento del tetto

Avvertenza: Fate attenzione che il montaggio dei rinforzi per il vento del tetto avvenga come descritto nei rispettivi **disegni di montaggio** / nelle relative **viste di controllo del tetto**. Solo in questo modo è possibile garantire in maniera ottimale la stabilità necessaria della serra.

Negli elementi forniti per la **serra a 3, 5 e 6 pannelli** sono compresi più rinforzi per il vento di quanti necessari per il montaggio.

Figura in basso: disegno di montaggio / vista di controllo del tetto: serra a 3 pannelli

pagina 80

Figura in alto: disegno di montaggio / vista di controllo del tetto: serra a 4 pannelli

Figura in basso: disegno di montaggio / vista di controllo del tetto: serra a 5 pannelli

pagina 81

Figura in alto: disegno di montaggio / vista di controllo del tetto: serra a 6 pannelli

Figura in basso: disegno di montaggio / vista di controllo del tetto: serra a 7 pannelli

Avvertenza importante: Osservate che nella serra a 7 pannelli non vengono inseriti rinforzi per il vento in entrambi i segmenti centrali.

pagina 83

Montaggio del gruppo fondazioni

Avvertenza importante: Prima di proseguire il montaggio con la **seconda parte** delle istruzioni, dovete portare la vostra serra nella sua posizione definitiva e fissarla alle **fondazioni** (fondazioni in calcestruzzo, in muratura o in acciaio)!. In seguito non è più possibile trasportare la serra! Posizionate la vostra serra su una **fondazione in calcestruzzo / in muratura** e proseguite il montaggio con questa fase.

Se avete acquistato le **fondazioni in acciaio** (non contenute negli elementi forniti) quali accessori, montatele come descritto nelle istruzioni corrispondenti.

Ancoraggio a fondazioni in calcestruzzo / in muratura

Per l'ancoraggio della serra su fondazioni in calcestruzzo o in muratura avete bisogno del seguente materiale di montaggio (non compreso negli elementi forniti)

- tasselli
- viti per legno a testa esagonale
- rosette

Per ogni posizione avete bisogno di 1 pezzo per ogni collegamento d'angolo della base e di 2 pezzi per ogni raccordo della base o angolare di fissaggio.

Attenzione: Utilizzate **tasselli adatti** per fondazioni in calcestruzzo / in muratura!

Per i tasselli devono prima venire eseguiti i fori nelle fondazioni. A tale scopo mettete la serra sulle fondazioni e disegnate delle marcature sugli angoli (di fissaggio).

pagina 86

Accessori speciali (non compresi tra gli elementi forniti)

N. art. 36.405.90: set di ancoraggio BD4 (4 x picchetti)

N. art. 36.405.91: set di ancoraggio BD6 (6 x picchetti)

Avvertenza: Con il set di ancoraggio potete fissare al terreno la serra o le fondazioni in acciaio. Per il numero di ancoraggi necessari per la vostra serra di vedano i seguenti schemi generali. I punti ai quali vengono fissati i singoli picchetti sono contrassegnati da cerchi. Mettete la serra nella sua posizione definitiva per determinare le posizioni esatte dei picchetti. Contrassegnate quindi i punti nei quali vengono inseriti i picchetti.

Figura centrale: vista dall'alto della serra a 3 pannelli
Set di ancoraggio necessari: 2 x set BD4 (n. art. 36.405.90)

Figura in basso: vista dall'alto della serra a 4 pannelli
Set di ancoraggio necessari: 1 x set BD4 (n. art. 36.405.90) + 1 x set BD6 (n. art. 36.405.91)

pagina 87

Figura in alto: vista dall'alto della serra a 5 pannelli
Set di ancoraggio necessari: 1 x set BD4 (n. art. 36.405.90) + 1 x set BD6 (n. art. 36.405.91)

Figura centrale: vista dall'alto della serra a 6 pannelli
Set di ancoraggio necessari: 1 x set BD4 (n. art. 36.405.90) + 1 x set BD6 (n. art. 36.405.91)

Figura in basso: vista dall'alto della serra a 7 pannelli
Set di ancoraggio necessari: 1 x set BD4 (n. art. 36.405.90) + 1 x set BD6 (n. art. 36.405.91)

CZ Montážní a bezpečnostní pokyny / Seznam nářadí

Vážená zákaznice, vážený zákazníku,
děkujeme, že jste se rozhodli pro výrobek firmy Einhell. Přejeme Vám mnoho potěšení z Vašeho skleníku. S tímto hliníkovým skleníkem vlastníte s největší pečlivostí konstruovaný skleník, jehož profily jsou zvláště stabilní. Díky kompaktní a modulární konstrukci je možná rychlá montáž.

Váš montážní návod je rozdělen do dvou částí – „Hliníkové profily“ a „Dutinové desky“. Před montáží Vašeho skleníku si prosím **bezpodmínečně kompletně** přečtete obě části návodu, aby bylo zabráněno montážním chybám a poškozením! Návod si pečlivě uložte i po montáži!

Hliníkové profily:

Jednotlivá čísla výrobků jsou do příslušných profilů vyražena. Zkontrolujte prosím jednotlivá čísla, než jednotlivé profily namontujete.

Obalový materiál prosím odevzdejte do sběru.

Důležité bezpečnostní pokyny k montáži

- Doporučujeme Vám, aby montáž prováděly **2 osoby**.
- K zabránění úrazům by se při montáži neměly v bezprostřední blízkosti zdržovat **děti**.
- Při montáži hliníkových profilů nosit **ochranné rukavice!**
Nebezpečí porézání a pohmoždění!
- Poté, co jste skleník kompletně smontovali, ještě jednou dotáhněte všechny šroubové spoje pomocí **rozvidleného nebo očkového klíče!**

Upozornění

Výrobce neručí za škody způsobené vichřicí, větrem, vodou nebo zatížením sněhem. Záruka za náhradu následných a majetkových škod se nepřebírá. Vyhrajujeme si další vývoj ve smyslu technického pokroku. Tím mohou vznikat nepatrné odchylky ve vyobrazeních.

Při rozeznatelných poškozeních konstrukčních dílů tyto vyměnit za originální náhradní díly. Kompletní seznam náhradních dílů naleznete v 2. části montážního návodu.

Seznam nářadí

Jako montážní nářadí potřebujete:



nástrčný klíč
⬡ velikost 7
⬡ velikost 10



plochý
šroubovák
(velikost 2-3)



křížový šroubovák
(velikost 2-3)



klíč s vnitřním
šestihranem
(velikost 4)



rozvidlený nebo
očkový klíč
(velikost 10 / 13)



gumové
kladívko



vrták Ø 2,0 mm



vrtáčku nebo
akumulátorový
šroubovák



pásmo nebo
skládací metr



vodováhu



bezpečnostní
štafle



nůžky

! Pozor:

Ve všech montážních pytlíčcích jsou jako náhrada obsaženy dodatečné šrouby a matice!

Při montáži skleníku dbejte na **pravouhlost profilů!**

Pomocí **vodováhy** vždy přezkoušejte vodorovnou, resp. svislou polohu profilů.

Dbejte na to, aby byly profily namontovány vždy **na doraz v definovaných koncových polohách**.

! Pokyn k montážnímu návodu:

Jako referenční model slouží v montážním návodu **model s 5 poli** (2 pole + 3 pole). V přehledových vyobrazeních je vždy zobrazován tento model. Ostatní skleníky se oproti tomuto skleníku odlišují pouze počtem bočních polí. Pokud jste některý z těchto modelů zakoupili, dodržujte prosím příslušné montážní pokyny pro Váš skleník.

Pokyny k použití / Základy / Plán základů

Pokyny k použití

- Každé tři měsíce zkontrolujte šroubové spoje a v případě potřeby je dotáhněte.
- Po silnějším větru nebo vichřici zkontrolujte šroubové spoje a správné uložení dutinových desek.
- Při silnějším větru a vichřici zavřete okna a dveře Vašeho skleníku.
- V oblastech ohrožených vichřicemi byste měli skleník dodatečně zajistit vhodným ukotvením proti vichřici (není obsaženo v rozsahu dodávky).
- Při teplotách pod bodem mrazu (0 °C) netlučte do dutinových desek tvrdými předměty.
- Sníh musí být ze střechy Vašeho skleníku včas odstraněn, aby nemohlo dojít k nebezpečnému zatížení sněhem. Již výška sněhu 10 cm, resp. 2cm výška ledu může být nebezpečná!
- Střecha Vašeho skleníku není pochůzná!
- Ve skleníku nepoužívat otevřený oheň nebo podobné zdroje! Používat pouze schválená vytápěcí zařízení!
- Musí být dodržen v zemi platný stavební řád.

Základy

Pozor: skleník nemá žádný extra základový profil. Váš skleník můžete postavit na předem postavené zděné nebo betonové základy (viz plán základů) nebo ho namontovat na ocelové základy (k dostání jako příslušenství).



Pozor:

Nechcete-li Váš skleník postavit na žádné zděné resp. betonové základy, dbejte na to, abyste skleník postavili na rovném a pevném podkladu. Vodorovnost zkontrolujte pomocí vodováhy!

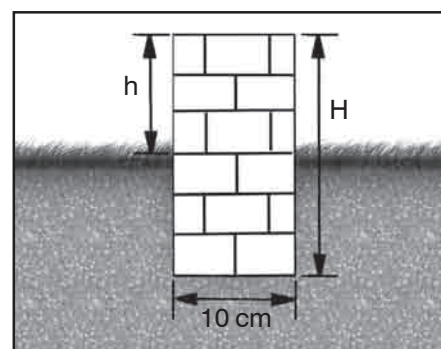
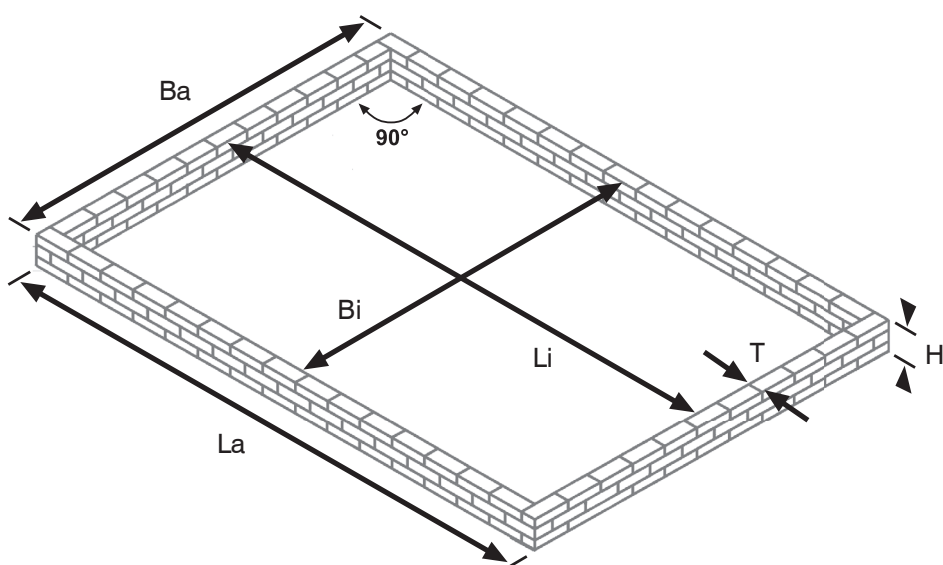
Základy z betonu / zdiva

Pravoúhlost základů je pro montáž skleníku velmi důležitá. Základy musí být přesně pravoúhlé a vodorovné. Zkontrolujte to pomocí vodováhy. Pozor: základy musí být založeny v hloubce promrzání.

Plán základů

Betonové nebo zděné základy

| Skleník | La (cm) | Li (cm) | Ba (cm) | Bi (cm) | T (cm) | H (cm) |
|---------------|---------|---------|---------|---------|--------|------------------------|
| 3 pole | 224 | 204 | 259 | 239 | 10 | hloubka promrzání (30) |
| 4 pole | 295 | 275 | 259 | 239 | 10 | hloubka promrzání (30) |
| 5 pole | 366 | 346 | 259 | 239 | 10 | hloubka promrzání (30) |
| 6 pole | 437 | 417 | 259 | 239 | 10 | hloubka promrzání (30) |
| 7 pole | 508 | 488 | 259 | 239 | 10 | hloubka promrzání (30) |



Základy musí být **minimálně 10 cm široké (T)** a **podle potřeby vysoké (h)**! Základy musí být postaveny **v pravém úhlu** a musí být vodorovné.

Balící list hliníkové profily

Hliníkové profily Vašeho skleníku obdržíte zabaleny v několika kartonech:

3 pole

Hliníkové profily

| Č. balení | Obsah |
|------------------|---|
| 36.505.30 | Hliníkové profily – přední stěna s jednokřídlými dveřmi |
| 36.505.32 | Hliníkové profily – zadní stěna |
| 36.505.34 | Hliníkové profily – 2 pole |

4 pole s jednokřídlými dveřmi

Hliníkové profily

| Č. balení | Obsah |
|------------------|---|
| 36.505.30 | Hliníkové profily – přední stěna s jednokřídlými dveřmi |
| 36.505.32 | Hliníkové profily – zadní stěna |
| 36.505.33 | Hliníkové profily – 2 pole |
| 36.505.33 | Hliníkové profily – 2 pole |
| 36.505.35 | Sada spojovacích elementů |

4 pole s dvoukřídlými dveřmi

Hliníkové profily

| Č. balení | Obsah |
|------------------|--|
| 36.505.31 | Hliníkové profily – přední stěna s dvoukřídlými dveřmi |
| 36.505.32 | Hliníkové profily – zadní stěna |
| 36.505.33 | Hliníkové profily – 2 pole |
| 36.505.33 | Hliníkové profily – 2 pole |
| 36.505.35 | Sada spojovacích elementů |

5 pole s jednokřídlými dveřmi

Hliníkové profily

| Č. balení | Obsah |
|------------------|---|
| 36.505.30 | Hliníkové profily – přední stěna s jednokřídlými dveřmi |
| 36.505.32 | Hliníkové profily – zadní stěna |
| 36.505.33 | Hliníkové profily – 2 pole |
| 36.505.34 | Hliníkové profily – 3 pole |
| 36.505.35 | Sada spojovacích elementů |

5 pole s dvoukřídlými dveřmi

Hliníkové profily

| Č. balení | Obsah |
|------------------|--|
| 36.505.31 | Hliníkové profily – přední stěna s dvoukřídlými dveřmi |
| 36.505.32 | Hliníkové profily – zadní stěna |
| 36.505.33 | Hliníkové profily – 2 pole |
| 36.505.34 | Hliníkové profily – 3 pole |
| 36.505.35 | Sada spojovacích elementů |

6 pole

Hliníkové profily

| Č. balení | Obsah |
|------------------|--|
| 36.505.31 | Hliníkové profily – přední stěna s dvoukřídlými dveřmi |
| 36.505.32 | Hliníkové profily – zadní stěna |
| 36.505.34 | Hliníkové profily – 3 pole |
| 36.505.34 | Hliníkové profily – 3 pole |
| 36.505.35 | Sada spojovacích elementů |

7 pole

Hliníkové profily

| Č. balení | Obsah |
|------------------|--|
| 36.505.31 | Hliníkové profily – přední stěna s dvoukřídlými dveřmi |
| 36.505.32 | Hliníkové profily – zadní stěna |
| 36.505.33 | Hliníkové profily – 2 pole |
| 36.505.33 | Hliníkové profily – 2 pole |
| 36.505.34 | Hliníkové profily – 3 pole |
| 36.505.35 | Sada spojovacích elementů |
| 36.505.35 | Sada spojovacích elementů |

Pokyny k montážním krokům

Při montáži Vašeho skleníku používejte prosím **pořadí a obrázky z německého montážního návodu**. K tomu ještě v této brožurce obdržíte všechny důležité montážní pokyny a texty ve Vašem jazyce. V následujících příkladech Vám ukážeme, jak jsou jednotlivé montážní kroky a obrázky v německém návodu sestaveny.

Přehled

V pravém textovém sloupečku nalezne příslušná přehledová vyobrazení aktuálního montážního postupu. Přitom jsou díly používané v tomto kroku znázorněny tmavěji a místa, ke kterým existuje detailní vyobrazení jsou zakroužkována. Tato symbolika je částečně používána také pro přehledy montáže nebo kontrolní pohledy.

Montážní krok

Kusovník

Na začátku každého montážního kroku naleznete tabulku s jednotlivými díly potřebnými pro tento montážní krok. Tabulka je rozdělena do šesti sloupečků: číslo výrobku, číslo položky, vyobrazení, označení výrobku, velikost resp. délka, potřebné množství.

Od kroku 12 jsou, podle zakoupeného modelu, potřebná různá množství jednotlivých dílů. V těchto tabulkách jsou údaje o množství rozděleny do 5 sloupečků (pro model se 3 až 7 poli).

Identifikujte příslušné díly podle vyražených čísel výrobku, obrázku a příslušných údajů o délce, resp. velikosti.

Montážní pokyn

Od kroku 12 musí být kroky částečně rozdílně často opakovány. Toto závisí na zakoupeném modelu (3 až 7 polí). Dodržujte příslušný počet pro Váš model.

Náhledy průřezů

V detailním vyobrazení jsou často z důvodu lepšího porozumění zobrazeny dodatečné náhledy průřezů.

Nářadí

Zde je zobrazeno nářadí potřebné v tomto kroku.

Opakování kroku

Pokud musí být postupy v detailních vyobrazeních provedeny vícekrát, je v tomto poli vyznačen počet opakování.

19 Dachstreben montieren

| Artikel-Nr. | Pos. | Form | Benennung | Größe (mm) | Menge |
|-------------|------|------|-----------------------------|------------|-------|
| 84.080.08 | 1 | | Seitenstrebe | 1395 | 4 |
| 50.041.90 | 2 | | Sechskantschraube | M6x12 | 10 |
| 51.048.11 | 3 | | Sechskantmutter mit Flansch | M6 | 10 |

19/a **Innenansicht**

19/b **Übersicht:**

Hinweis:

19/a Befestigen Sie zunächst die in den Schritten **19/a** und **19/b** vormontierten Seitenstreben an den Knotenblechen Seite. Legen Sie die Streben von außen zwischen First und Regenrinne. Lockern Sie die oben vormontierte Schraube an der Seitenstrebe und schieben sie in die Aussparung am First. Ziehen Sie die Mutter wieder fest.

Montagehinweis:

| | | | |
|---|--------------|---|--------------|
| 3 | 4x montieren | 4 | 4x montieren |
| 5 | 6x montieren | 6 | 6x montieren |
| 7 | 8x montieren | 8 | 8x montieren |

Seite 04

2 Eckprofile montieren

| Artikel-Nr. | Pos. | Form | Benennung | Größe (mm) | Menge |
|-------------|------|------|-----------------------------|------------|-------|
| 84.080.04 | 1 | | Eckprofil Seite | 1395 | 2 |
| 50.041.90 | 2 | | Sechskantschraube | M6x12 | 12 |
| 51.048.11 | 3 | | Sechskantmutter mit Flansch | M6 | 12 |

2/a **Profil**

2/b **Innenansicht**

2/b **Außenansicht**

Übersicht (Vorderwand):

Werkzeug:

SW 10

Hinweis:

2/a Schieben Sie in eine Führungsschiene zwei Schrauben jeweils zirka 5 cm von beiden Enden entfernt. In der anderen werden vier Schrauben vormontiert; jeweils zwei zirka 30 cm und zwei zirka 5 cm vom Rand entfernt (vgl. Detailsichten).

2/b Stellen Sie das Eckprofil auf das Bodenprofil. Achten Sie darauf, dass die Führungsschiene mit den vier vormontierten Schrauben zum Bodenprofil zeigt (vgl. Kontrollansicht auf der nächsten Seite).

Seite 12



Důležitý pokyn:

Na následujících stránkách naleznete průvodní texty ve Vašem jazyce. Tyto jsou členěny podle **čísel stran (německý návod!) a montážních kroků** tak, abyste mohli příslušné texty jednoznačně přiřadit německému návodu.

Montážní pokyny:

Strana 7

Montáž konstrukční skupiny přední stěna

1 Předmontáž půdního profilu

Důležitý pokyn:

Pro jednodušší manipulaci by měly být přední a zadní stěny montovány v ležící poloze.

Obrázek dole: přehled montáže přední stěna s jednokřídlovými dveřmi.

Strana 8

Obrázek nahoře: přední stěna s dvoukřídlovými dveřmi

1/a: Do vodicích kolejniček obou půdních profilů nasuňte vždy jeden spojovací díl až po příslušné otvory (viz obr.). Přesné pozice naleznete v příslušných přehledech montáže pro Váš skleník.

Strana 9

1/c: Styčnickový plech dna upevněte pomocí jednoho dodatečného šroubu na půdním profilu. Dbejte na to, abyste tento šroub upevnili na vlevo montovaném styčnickovém plechu **vlevo**, na vpravo montovaném styčnickovém plechu **vpravo** (viz přehled montáže detail A a detail B).

Strana 11

1/g: Dbejte na to, aby půdní rohový spojovací prvek souhlasil s půdním profilem jako na obr. 1/g.

Strana 12

2 Namontovat rohové profily

Strana 13

Obrázek dole: kontrolní pohled (půdní profil s rohovými profily): vnitřní pohled

Strana 14

3 Předmontovat štítové profily

Kusovník nahoře: přední stěna s jednokřídlovými dveřmi

Kusovník dole: přední stěna s dvoukřídlovými dveřmi

Důležitý pokyn: Tento krok se opakuje později při montáži zadní stěny (viz montáž konstrukční skupiny zadní stěna). Dbejte na to, aby byla zadní stěna namontována analogicky k přední stěně s dvoukřídlovými dveřmi. Používejte přitom příslušné konstrukční díly (kusovník přední stěna s dvoukřídlovými dveřmi) a kroky.

Obrázek dole: přední stěna s jednokřídlovými dveřmi Přehled montáže / Kontrolní pohled (štítové profily): vnitřní pohled

Dbát na polohu šroubů!

Strana 15

Obrázek nahoře: přední stěna s dvoukřídlovými dveřmi Přehled montáže / Kontrolní pohled (štítové profily): vnitřní pohled

Dbát na polohu šroubů!

Obrázek 3/a: přední stěna s jednokřídlovými dveřmi

Obrázek 3/b: přední stěna s dvoukřídlovými dveřmi

Strana 16

Důležitý pokyn:

Dbejte na to, aby byly montážní plechy vyrovnány jako na obrázcích 3/c a 3/d. Montážní plechy se přesně vyrovnají teprve později při nasazení hřebene a dešťového žlabu.

Strana 17

Důležitý pokyn:

Dbejte na to, aby dva (přední stěna s jednokřídlovými dveřmi), resp. tři (přední stěna s dvoukřídlovými dveřmi) **předmontované šrouby uprostřed** ukazovaly směrem dovnitř. Porovnejte k tomu příslušné kontrolní pohledy na předcházejících stranách.

Strana 18

Kontrolní strana přední stěna – jednokřídlové dveře

Než budete pokračovat krokem 4, zkontrolujte za pomoci následujícího obrázku, zda jste předmontovali všechny šrouby potřebné pro příští kroky.

Obrázek: vnitřní pohled přední stěna – jednokřídlové dveře

Strana 19

Kontrolní strana přední stěna – dvoukřídlové dveře

Než budete pokračovat krokem 4, zkontrolujte za pomoci následujícího obrázku, zda jste předmontovali všechny šrouby potřebné pro příští kroky. **Obrázek: vnitřní pohled** přední stěna – dvoukřídlové dveře

Strana 20

4 Štítové profily střechy namontovat na rohové profily

Strana 21

5 Namontovat příčnou výztuhu

Důležitý pokyn:

Máte-li skleník s jednokřídlými dveřmi, namontujte příčnou výztuhu podle kroků 5/a a 5/b. Pro skleník s dvoukřídlými dveřmi namontujte příčnou výztuhu podle kroků 5/c a 5/d.

Obrázek 5/a + 5b: přední stěna s jednokřídlými dveřmi

Obrázek 5/a: dbejte na to, abyste příčnou výztuhu namontovali symetricky.

Strana 22

Obrázek 5/c + 5d: přední stěna s dvoukřídlými dveřmi

Obrázek 5/c: dbejte na to, abyste příčnou výztuhu namontovali symetricky.

Strana 23

6 Namontovat vzpěru střechy

Strana 24

7 Jednokřídlové dveře – namontovat dveřní vzpěry

Máte-li skleník s **dvoukřídlými dveřmi**, přeskočte krok 7 a pokračujte v montáži krokem 8 „Dvoukřídlové dveře – namontovat dveřní vzpěry“.

7/a: Na obě dveřní stěžeje namontujte na jednom konci vždy jeden šroub cca 60 cm a jeden cca 5 cm od okraje. Na druhém konci je umístěn vždy jeden šroub cca 30 cm a jeden cca 5 cm od okraje.

Strana 25

7/c: Čtyři předmontovaná křídla závěsu nasuňte do vodící kolejničky **jedné** dveřní stěžeje. Dbejte na to, abyste křídla závěsu přišroubovali jako na obr. 7/d.

Strana 26

7/e: Na obě zámkové desky se **volně** našroubují vždy dva zápusťné šrouby (pol. 3) s šestihřannými maticemi M4 (pol. 4).

Strana 28

7/h: Postavte dveřní stěžež **zvenčí** mezi půdní profil a příčnou výztuhu a upevněte ji nahoře pomocí předmontovaných šroubů s šestihřannou hlavou. Dbejte na to, aby závěsy ukazovaly směrem ke středu.

Důležitý pokyn:

Dveřní stěžež se závěsy se nasazuje **vlevo** (při pohledu z vnitřní strany), dveřní stěžež se zámkovými deskami **vpravo**. Dbejte přitom prosím kontrolního pohledu na následující straně.

Strana 29

Kontrolní pohled vnitřní pohled

Obrázek: levý profil: dveřní stěžež se závěsy

pravý profil: dveřní stěžež se zámkovými deskami

Pokyn:

Otvory v půdním profilu a příčné výztuze označené v kontrolním pohledu pomocí X zůstanou volné. Dbejte na to, abyste dveřní profil se závěsy a dveřní profil se zámkovými deskami nasadili podle kontrolního pohledu (**vnitřní pohled**)!

Strana 30

8 Dvoukřídlové dveře – namontovat dveřní vzpěry

Máte-li skleník s **jednokřídlými dveřmi**, přeskočte krok 8 a pokračujte v montáži krokem 9 „Namontovat zavětrování a vyztužení“.

8/a: Na obě dveřní stěžeje namontujte na jednom konci vždy jeden šroub cca 60 cm, jeden cca 30 cm a jeden cca 5 cm od okraje. Na druhém konci je umístěn vždy jeden šroub cca 30 cm a jeden cca 5 cm od okraje.

Strana 31

8/c + 8/d: Čtyři předmontovaná křídla závěsů nasuňte do vodící kolejničky **jedné** dveřní stěžeje (viz obr. 8/c). Na **druhé** dveřní stěžeji se umístí **tři** křídla závěsů.

Dbejte na to, abyste křídla závěsů přišroubovali jako na obr. 8/d, abyste mohli později zasadit dveře s vhodnými protikusy.

Strana 32

8/e: Dbejte na to, aby závěsy ukazovaly směrem ke středu.

Důležitý pokyn:

Dveřní stěžež se čtyřmi předmontovanými závěsy se nasazuje **vlevo** (při pohledu z vnitřní strany), dveřní stěžež se třemi závěsy **vpravo**. Dbejte přitom prosím kontrolního pohledu na straně 34 německého montážního návodu.

Strana 34

Kontrolní pohled vnitřní pohled

Pokyn: Otvory v půdním profilu a příčné výztuze označené v kontrolním pohledu pomocí X zůstanou volné. Dbejte na to, abyste dveřní profily se závěsy nasadili podle kontrolního pohledu (**vnitřní pohled!**)!

Strana 35

9 Namontovat zavětrování a vyztužení

Kusovník nahoře: přední stěna s jednokřídlovými dveřmi

Kusovník dole: přední stěna s dvoukřídlovými dveřmi

Pokyn:

Dbejte na to, abyste vyztužení namontovali vodorovně. Event. proveďte kontrolu pomocí vodováhy.

Strana 36

Obrázek 9/c: přední stěna s jednokřídlovými dveřmi

Strana 37

Obrázek 9/c: přední stěna s dvoukřídlovými dveřmi

9/d: Obě spodní vyztužení namontujte tak, aby šikmo probíhající zavětrování leželo jednou před a jednou za vyztuženími (viz kontrolní pohled následující strana).

Strana 38

Kontrolní pohled (obr. přední stěna s jednokřídlovými dveřmi)

Pokyn:

Dbejte na to, abyste vyztužení namontovali vodorovně. Event. proveďte kontrolu pomocí vodováhy. Šrouby na zavětrování a vyztužení pečlivě utáhněte. Teprve díky jim získá přední stěna stabilitu.

Strana 39

Namontovat konstrukční skupinu zadní stěna

Opakujte kroky 1 až 6.

Pozor: V kroku 1 „Přemontovat půdní profil“ používejte namísto **upevňovacího úhelníku, krátkého (art. č. 84.631.51) styčnickový plech dna (art. č. 84.620.21)**. Styčnickový plech upevněte na obou horních otvorech zvenku dodatečně dvěma šrouby se šestihrannou hlavou a maticemi na půdním profilu.

Po kroku 6 pokračujte v montáži přímo krokem 10.

10 Namontovat vzpěry (zadní stěna)

Strana 40

10/c: Dbejte na to, aby byla vzpěra se třemi přemontovanými šrouby vsazena uprostřed.

Strana 42

Kontrolní pohled (vnitřní pohled)

Pokyn: Otvory v půdním profilu a příčné výztuze označené v kontrolním pohledu pomocí X zůstanou volné. Dbejte na to, aby se vzpěra se třemi přemontovanými šrouby nacházela uprostřed! Zkontrolujte vzdálenosti šroubů.

Strana 43

11 Namontovat zavětrování a vyztužení na zadní stěnu

Pokyn:

Dbejte na to, abyste vyztužení namontovali vodorovně. Event. proveďte kontrolu pomocí vodováhy.

Strana 45

11/d + 11/e: Obě spodní vyztužení DT (602 mm) namontujte tak, aby šikmo probíhající zavětrování leželo jednou před a jednou za vyztuženími (viz obr. 11/e).

Strana 46

Pokyn:

Dbejte na to, abyste vyztužení namontovali vodorovně. Event. proveďte kontrolu pomocí vodováhy. Šrouby na zavětrování a vyztužení pečlivě utáhněte. Teprve díky jim získá přední stěna stabilitu.

Strana 47

12 Přemontovat boční půdní profil

Obrázek uprostřed: přehled montáže skleník se 3 poli

Obrázek dole: přehled montáže skleník se 4 poli

Strana 48

Obrázek nahoře: přehled montáže skleník s 5 poli

Obrázek uprostřed: přehled montáže skleník se 6 poli

Obrázek dole: přehled montáže skleník se 7 poli

Strana 49

Důležitý pokyn:

Máte-li **skleník se 3 poli**, přeskočte kroky 12/a a 12/b a pokračujte v montáži krokem 12/c.

Strana 50

Důležitý pokyn:

Pokud jste ke svému **skleníku se 3 poli** zakoupili **ocelové základy** (speciální příslušenství), musí být v půdním profilu namontovány dodatečné šrouby. Pokud ocelové základy nepoužíváte, přeskočte krok 12/c a pokračujte v montáži krokem 12/d.

Obrázek 12/c: půdní profil skleník se 3 poli

12/c: Do vodící kolejničky půdních profilů pro skleník se 3 poli nasuňte vždy tři šrouby až do středu (viz přehled montáže). Tyto budou později potřebné pro upevnění na ocelové základy (speciální příslušenství). Pokud ocelové základy nepoužíváte, nemusí být tyto šrouby předmontovány.

12/d: Do vodící kolejničky předmontovaných půdních profilů nasuňte vždy jeden šroub cca 10 cm od okraje (viz přehled montáže).

Strana 51

13 Předmontovat dešťový žlab

Důležitý pokyn pro skleník se 3 poli:

Máte-li **skleník se 3 poli**, přeskočte krok 13 a pokračujte v montáži krokem 15. Pro skleník se 3 poli není předmontáž dešťového žlabu nutná.

Obrázek dole: přehled montáže skleník se 4 poli

Strana 52

Obrázek nahoře: přehled montáže skleník s 5 poli

Obrázek uprostřed: přehled montáže skleník se 6 poli

Obrázek dole: přehled montáže skleník se 7 poli

Strana 55

14 Předmontovat hřeben

Důležitý pokyn pro skleník se 3 poli:

Máte-li **skleník se 3 poli**, přeskočte krok 14 a pokračujte v montáži krokem 15. Pro skleník se 3 poli není předmontáž hřebenového profilu nutná.

Obrázek uprostřed: přehled montáže skleník se 4 poli

Obrázek dole: přehled montáže skleník s 5 poli

Strana 56

Obrázek nahoře: přehled montáže skleník se 6 poli

Obrázek uprostřed: přehled montáže skleník se 7 poli

14/a: Nasuňte čep **drážkovanou stranou napřed** do otvoru v hřebenovém profilu, určeném pro tyto účely.

Strana 58

15 Namontovat půdní profil na přední a zadní stěnu

15/a: Půdní profil (boční strana) předmontovaný v kroku 12 nasuňte do rohových krytek na rohovém profilu.

Důležitý pokyn:

Máte-li **skleník s 5 poli**, musí být boční půdní profily namontovány tak, aby oba kratší profily (1414 mm) ukazovaly směrem k přední stěně!

Strana 59

16 Namontovat profil dešťového žlabu na přední a zadní stěnu

16/a: Profil dešťového žlabu nasuňte až na doraz k přední, resp. zadní stěně. Event. nově vyrovnejte rohové a štítové profily tak, aby mohl být dešťový žlab přesně usazen. K tomu je třeba povolit šrouby na montážním plechu.

Důležitý pokyn:

Máte-li **skleník s 5 poli**, musí být profily dešťového žlabu namontovány tak, aby oba kratší profily (1414 mm) ukazovaly směrem k přední stěně!

Strana 60

17 Namontovat hřebenový profil na přední a zadní stěnu

17/a: Hřebenový profil nasuňte až na doraz k přední, resp. zadní stěně. Event. nově vyrovnejte štítové profily tak, aby mohl být hřeben přesně usazen. K tomu je třeba povolit šrouby na montážním plechu.

Důležitý pokyn:

Máte-li **skleník s 5 poli**, musí být hřebenový profil namontován tak, aby kratší profil (1414 mm) ukazoval směrem k přední stěně!

Strana 61

18 Namontovat bočnicové vzpěry

18/a: Na bočnicové vzpěry namontujte nahoře a dole vždy jeden šroub cca 5 cm od okraje. Prosím dodržujte přesný počet pro Váš skleník.

18/b: Na zbylé bočnicové vzpěry namontujte dole jeden šroub cca 5 cm od okraje. Nahoře se namontují dva šrouby, jeden cca 10 cm, druhý cca 5 cm od okraje.

Strana 62

18/c: Bočnicové vzpěry namontujte pomocí čtyř předmontovaných šroubů (viz krok 18/b) na styčnickové plechy na půdním profilu a dešťovém žlabu.

Strana 64

19 Namontovat vzpěry střechy

Pokyn:

V následujícím kroku se vsadí bočnicové vzpěry (střecha). Prosím bezpodmínečně dodržujte **kontrolní pohledy** pro Váš skleník a než vzpěry vsadíte, porovnejte **kroky předmontáže** (krok 19/a až 19/d) s těmito obrázky.

Vzpěry střechy s **uprostřed předmontovanými šrouby** (viz obr. 19/b, resp. 19/d) budete později potřebovat na vsazení příčné výztuhy okna. Na následujících obrázcích uvidíte, na kterých místech budou ve Vašem skleníku okna usazena.

Obrázek dole: kontrolní pohled „střecha“: skleník se 3 poli

Legenda:

- poloha předmontovaných šroubů
- 1 šroub

Strana 65

Obrázek nahoře: kontrolní pohled „střecha“: skleník se 4 poli

Obrázek dole: kontrolní pohled „střecha“: skleník s 5 poli

Legenda:

- poloha předmontovaných šroubů
- 1 šroub
- 2 šrouby
- poloha již namontovaných styčnickových plechů na hřebeni a dešťovém žlabu

Strana 66

Obrázek nahoře: kontrolní pohled „střecha“: skleník se 6 poli

Obrázek dole: kontrolní pohled „střecha“: skleník se 7 poli

Legenda:

- poloha předmontovaných šroubů
- 1 šroub
- 2 šrouby
- poloha již namontovaných styčnickových plechů na hřebeni a dešťovém žlabu

Strana 67

19/a: Bezpodmínečně dodržujte montážní pokyny a kontrolní pohled pro Váš skleník.

Strana 69

19/e: Nejdříve připevněte bočnicové vzpěry předmontované v krocích 19/c a 19/d na boční styčnickové plechy. Vložte vzpěry zvenčí mezi hřeben a dešťový žlab.

Strana 71

20 Profil dorazu okna

Strana 72

20/b: Profil dorazu okna s **uprostřed předmontovanými šrouby** vložte zevnitř mezi bočnicové vzpěry (střecha) (viz kontrolní pohledy krok 19). Dbejte na to, aby otvory pro šrouby ukazovaly směrem dolů (viz obr. 20/c).

Strana 73

21 Namontovat styčnickové plechy

Důležitý pokyn:

Máte-li **skleník se 3 poli**, přeskočte krok 21 a pokračujte v montáži krokem 22.

21/a: Připevněte styčnickové plechy 120° na vzpěrách, na kterých jste předmontovali šrouby.

Strana 74

21/b: Nakonec připevněte jeden styčnickový plech 120° nahoře na vzpěrách střechy, na kterých jste předmontovali šrouby.

Strana 75

22 Namontovat boční zavětrování

Pokyn:

Při montáži bočních zavětrování prosím dbejte na to, abyste tato zavětrování namontovali tak, jak je to popsáno v příslušných **přehledech montáže / kontrolních pohledech „strana“**.

Obrázek dole: přehled montáže / kontrolní pohled „strana“: skleník se 3 poli

Strana 76

Obrázek nahoře: přehled montáže / kontrolní pohled „strana“: skleník se 4 poli

Obrázek dole: přehled montáže / kontrolní pohled „strana“: skleník s 5 poli

Strana 77

Obrázek nahoře: přehled montáže / kontrolní pohled „strana“: skleník se 6 poli

Obrázek dole: přehled montáže / kontrolní pohled „strana“: skleník se 7 poli

23 Namontovat střešní zavětrování**Pokyn:**

Při montáži střešních zavětrování prosím dbejte na to, abyste tato zavětrování namontovali tak, jak je to popsáno v příslušných **přehledech montáže / kontrolních pohledech „střecha“**. Pouze tak je optimálně zabezpečena potřebná stabilita skleníku.

V rozsahu dodávky pro **skleník se 3 poli, 5 poli a 6 poli** je obsaženo více zavětrování, než k montáži potřebujete.

Obrázek dole: přehled montáže / kontrolní pohled „střecha“: skleník se 3 poli

Obrázek nahoře: přehled montáže / kontrolní pohled „střecha“: skleník se 4 poli

Obrázek dole: přehled montáže / kontrolní pohled „střecha“: skleník s 5 poli

Obrázek nahoře: přehled montáže / kontrolní pohled „střecha“: skleník se 6 poli

Obrázek dole: přehled montáže / kontrolní pohled „střecha“: skleník se 7 poli

Důležitý pokyn: Prosím dbejte na to, že se u skleníku se 7 poli v obou prostředních segmentech nemontuje žádné zavětrování.

Namontovat konstrukční skupinu základy

Důležitý pokyn: Než budete při montáži pokračovat s **částí 2** montážního návodu, musíte skleník umístit do jeho konečné polohy a upevnit ho na **základech** (betonové, zděné, ocelové základy)! Skleník se později již nenechá přemístit.

Postavte svůj skleník na **betonové / zděné základy** a pokračujte v montáži tímto krokem.

Pokud jste zakoupili jako příslušenství **ocelové základy** (není obsaženo v rozsahu dodávky), smontujte je podle popisu v návodu ocelových základů.

Ukotvení na betonových / zděných základech

Na ukotvení skleníku na betonových nebo zděných základech potřebujete následující montážní materiál (není obsažen v rozsahu dodávky):

- **hmoždinky**
- **vruty se šestihrannou hlavou**
- **podložky**

Od každé položky potřebujete 1 kus pro každý půdní rohový spojovací prvek a 2 kusy pro každý styčnickový plech dna, resp. upevňovací úhelník.

Pozor:

Používejte **hmoždinky vhodné** pro betonové / zděné základy!

Pro hmoždinky je třeba v základech předvrtat otvory. K tomu postavte skleník na základy a nakreslete si označení na (upevňovacích) úhelnících.

Speciální příslušenství (Není obsaženo v rozsahu dodávky)

Art. č. 36.405.90: sada na ukotvení BD4 (4x zemní kotva)

Art. č. 36.405.91: sada na ukotvení BD6 (6x zemní kotva)

Pokyn:

Pomocí sad na ukotvení můžete Váš skleník, resp. ocelové základy upevnit v zemi. Vždy potřebné počty sad na ukotvení pro Váš skleník naleznete v následujících přehledech. Pozice, na kterých se jednotlivé zemní kotvy upevní, jsou zakroužkovány. Aby bylo možné stanovit přesnou polohu zemních kotev, postavte skleník na jeho konečné místo. Poté si označte místa, na kterých budou zemní kotvy upevněny.

Obrázek uprostřed: půdorys skleníku se 3 poli
Potřebné sady na ukotvení: 2 x sada BD4 (art. č. 36.405.90)

Obrázek dole: půdorys skleníku se 4 poli
Potřebné sady na ukotvení: 1 x sada BD4 (art. č. 36.405.90) + 1 x sada BD6 (art. č. 36.405.91)

Obrázek dole: půdorys skleníku s 5 poli
Potřebné sady na ukotvení: 1 x sada BD4 (art. č. 36.405.90) + 1 x sada BD6 (art. č. 36.405.91)

Obrázek uprostřed: půdorys skleníku se 6 poli
Potřebné sady na ukotvení: 1 x sada BD4 (art. č. 36.405.90) + 1 x sada BD6 (art. č. 36.405.91)

Obrázek dole: půdorys skleníku se 7 poli
Potřebné sady na ukotvení: 1 x sada BD4 (art. č. 36.405.90) + 1 x sada BD6 (art. č. 36.405.91)

SK Montážne a bezpečnostné pokyny / zoznam náradia

Vážená zákazníčka, vážený zákazník,

Ďakujeme, že ste sa rozhodli pre výrobok firmy Einhell. Prajeme Vám veľa potešenia s vaším novým skleníkom. Tento hliníkový skleník, ktorý ste zakúpili, predstavuje precízne skonštruovaný skleník, ktorého profily sú obzvlášť stabilné. Vďaka jeho kompaktnej a modulárnej stavbe je možná rýchla montáž.

Váš návod na obsluhu je rozdelený na dve časti – „Hliníkové profily“ a „Stenové dosky“. Prosím **bezpodmienečne** si pred montážou prečítajte **kompletné** obidve časti návodu, aby ste tak predišli montážnym chybám alebo poškodeniam! Starostlivo uschovajte tento návod taktiež po ukončení montáže!

Hliníkové profily:

Jednotlivé čísla dielov sú vyrazené do príslušných hliníkových profilov. Skontrolujte prosím vyrazené čísla profilov pred tým, než jednotlivé profily namontujete.

Obalové materiály prosím zlikvidujte v triedenom odpade.

Dôležité bezpečnostné pokyny k montáži

- Odporúčame vykonávať montáž skleníka **2 osobám**.
- Aby sa zabránilo nehodám, nemali by sa v bezprostrednej blízkosti nachádzať **žiadne deti**.
- Pri montáži hliníkových profilov používajte **ochranné rukavice! Nebezpečenstvo porezania a pomliaždenia!**
- Po kompletnej zmontovaní skleníka ešte raz dotiahnite všetky skrutkové spoje **pomocou vidlicového alebo zatvoreného kľúča!**

Upozornenie

Výrobca neručí za škody spôsobené búrkou, vetrom, vodou alebo tiažou snehu. Nepreberá sa žiadna garancia za následné škody ani škody na majetku. Vyhradujeme si právo na ďalší vývoj v zmysle technického pokroku. Takto môžu vzniknúť malé odchýlky v zobrazeniach.

V prípade viditeľných poškodení stavebných dielov sa musia tieto nahradiť originálnymi náhradnými dielmi. Kompletný zoznam jednotlivých dielov nájdete v časti 2 návodu na montáž.

Zoznam náradia

Ako montážne náradie potrebujete:



Nástrčkový kľúč
○ veľkosť 7
○ veľkosť 10



Plochý skrutkovač
(veľkosť 2-3)



Křížový skrutkovač
(veľkosť 2-3)



Kľúč na skrutky s vnútorným šesťhranom
(veľkosť 4)



Vidlicový alebo zatvorený kľúč
(veľkosť 10 / 13)



Gumené kladivo



Vrták Ø 2,0 mm



Vrták na kameň



Vrtačka alebo akumulátorový skrutkovač



Meracie pásmo alebo skladací meter



Vodováha



Bezpečnostný dvojité rebrík



Nožnice

! Pozor:

Vo všetkých montážnych vreckách sú obsiahnuté dodatočné skrutky a matice ako rezerva!

Dbajte pri montáži skleníka na **pravouhosť profilov!**

Vždy skontrolujte horizontálnu resp. vertikálnu polohu profilov pomocou **vodováhy**.

Dbajte na to, aby boli profily namontované **vždy na doraz do definovaných koncových polôh**.

! Upozornenie k návodu na montáž:

V návode na montáž je ako referenčný model použitý **model s 5 poľami** (2 poľa + 3 poľa). Na prehľadných zobrazeniach je znázornený vždy tento model. Oproti tomuto modelu sa ostatné skleníky odlišujú len počtom postranných polí. V prípade, že ste zakúpili jeden z iných modelov, dodržiavajte prosím príslušné montážne pokyny pre váš skleník.

Užívateľské pokyny / základy / plán základov

Užívateľské pokyny

- Pravidelne kontrolujte raz za tri mesiace skrutkové spoje a v prípade potreby ich dotiahnite.
- Skontrolujte po silnejšom vetre alebo búrke skrutkové spoje ako aj správne uloženie stenových dosiek.
- V prípade silného vetra a búrky zatvorte okná a dvere vášho skleníka.
- V oblastiach ohrozených búrkami by ste mali skleník dodatočne zabezpečiť pomocou vhodného búrkového ukotvenia (nie je súčasťou dodávky).
- Pri teplotách pod bodom mrazu (0 °C) neudierajte tvrdými predmetmi na stenové dosky.
- Strecha vášho skleníka sa musí včas zbaviť snehovej pokrývky, aby nevznikla nebezpečná záťaž snehu. Výška snehu 10 cm resp. výška ľadu 2 cm už môže byť nebezpečná!
- Strecha vášho skleníka nie je určená na chodenie!
- V skleníku nemanipulovať s otvoreným ohňom a podobne! Používať len schválené vykurovacie prístroje!
- Musia sa dodržiavať lokálne platné stavebné predpisy.

Základy

Pozor: Skleník nemá žiaden separátny základový profil. Skleník môžete postaviť na dopredu pripravené murované alebo betónové základy (pozri základový plán) alebo môžete skleník namontovať na ocelové základy (možné zakúpiť ako príslušenstvo).



Pozor:

Ak nechcete postaviť Váš skleník na murované resp. betónové základy, dbajte na to, aby ste skleník postavili na rovný a pevný podklad. Skontrolujte rovnosť pomocou vodováhy!

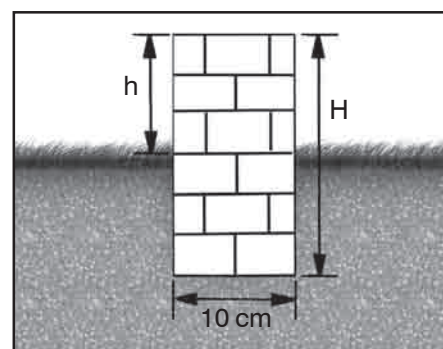
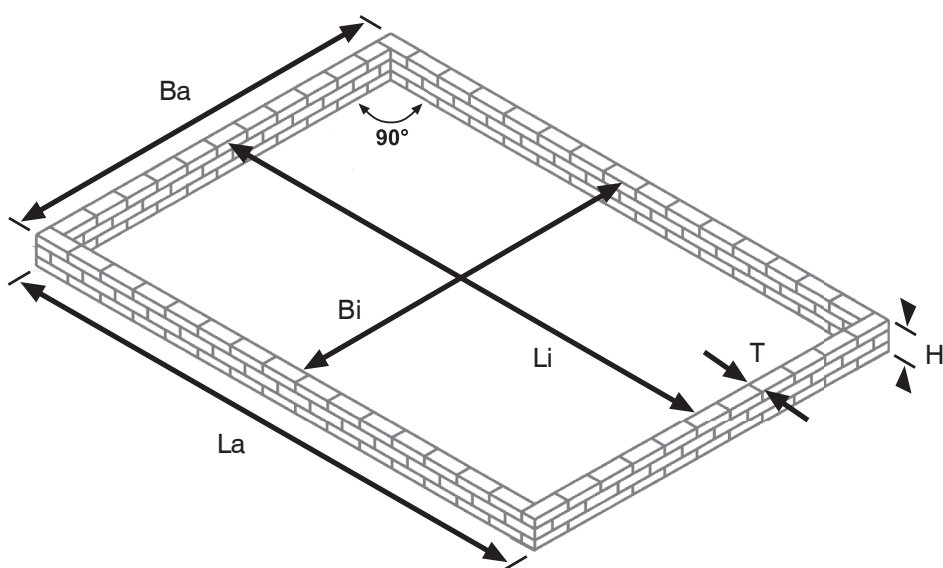
Základy z betónu / muriva

Pravouhlosť základov je veľmi dôležitá pre montáž skleníka. Základy musia byť presne v pravom uhle a vo vodorovnej polohe. Skontrolujte ich pomocou vodováhy. Pozor: Základy sa musia založiť do mrazuvzdornej hĺbky.

Základový plán

Betónové alebo murované základy

| Skleník | La (cm) | Li (cm) | Ba (cm) | Bi (cm) | T (cm) | H (cm) |
|----------------|---------|---------|---------|---------|--------|-------------------------|
| 3 polia | 224 | 204 | 259 | 239 | 10 | mrazuvzdorná hĺbka (30) |
| 4 polia | 295 | 275 | 259 | 239 | 10 | mrazuvzdorná hĺbka (30) |
| 5 polia | 366 | 346 | 259 | 239 | 10 | mrazuvzdorná hĺbka (30) |
| 6 polia | 437 | 417 | 259 | 239 | 10 | mrazuvzdorná hĺbka (30) |
| 7 polia | 508 | 488 | 259 | 239 | 10 | mrazuvzdorná hĺbka (30) |



Základy musia byť **minimálne 10 cm široké (T)** a **podľa potreby vysoké (h)**! Základy musia byť v **pravom uhle** a vo vodorovnej polohe.

Baliaci list - hliníkové profily

Hliníkové profily vášho skleníka sú dodávané zabalené vo viacerých kartónoch:

3 polia

Hliníkové profily

| Č. balenia | Obsah |
|------------------|---|
| 36.505.30 | Hliníkové profily – predná stena s jednokřídlovými dvermi |
| 36.505.32 | Hliníkové profily – zadná stena |
| 36.505.34 | Hliníkové profily – 2 polia |

4 polia s jednoduchými dverami

Hliníkové profily

| Č. balenia | Obsah |
|------------------|---|
| 36.505.30 | Hliníkové profily - predná stena s jednoduchými dverami |
| 36.505.32 | Hliníkové profily – zadná stena |
| 36.505.33 | Hliníkové profily – 2 polia |
| 36.505.33 | Hliníkové profily – 2 polia |
| 36.505.35 | Spojovacia súprava |

4 polia s dvojitými dverami

Hliníkové profily

| Č. balenia | Obsah |
|------------------|--|
| 36.505.31 | Hliníkové profily - predná stena s dvojitými dverami |
| 36.505.32 | Hliníkové profily – zadná stena |
| 36.505.33 | Hliníkové profily – 2 polia |
| 36.505.33 | Hliníkové profily – 2 polia |
| 36.505.35 | Spojovacia súprava |

5 polia s jednoduchými dverami

Hliníkové profily

| Č. balenia | Obsah |
|------------------|---|
| 36.505.30 | Hliníkové profily - predná stena s jednoduchými dverami |
| 36.505.32 | Hliníkové profily – zadná stena |
| 36.505.33 | Hliníkové profily – 2 polia |
| 36.505.34 | Hliníkové profily – 3 polia |
| 36.505.35 | Spojovacia súprava |

5 polia s dvojitými dverami

Hliníkové profily

| Č. balenia | Obsah |
|------------------|--|
| 36.505.31 | Hliníkové profily - predná stena s dvojitými dverami |
| 36.505.32 | Hliníkové profily – zadná stena |
| 36.505.33 | Hliníkové profily – 2 polia |
| 36.505.34 | Hliníkové profily – 3 polia |
| 36.505.35 | Spojovacia súprava |

6 polia

Hliníkové profily

| Č. balenia | Obsah |
|------------------|--|
| 36.505.31 | Hliníkové profily – predná stena s dvoukřídlovými dvermi |
| 36.505.32 | Hliníkové profily – zadná stena |
| 36.505.34 | Hliníkové profily – 3 polia |
| 36.505.34 | Hliníkové profily – 3 polia |
| 36.505.35 | Spojovacia súprava |

7 polia

Hliníkové profily

| Č. balenia | Obsah |
|------------------|--|
| 36.505.31 | Hliníkové profily – predná stena s dvoukřídlovými dvermi |
| 36.505.32 | Hliníkové profily – zadná stena |
| 36.505.33 | Hliníkové profily – 2 polia |
| 36.505.33 | Hliníkové profily – 2 polia |
| 36.505.34 | Hliníkové profily – 3 polia |
| 36.505.35 | Spojovacia súprava |
| 36.505.35 | Spojovacia súprava |

Pokyny k montážnym krokom

Pri stavbe vášho skleníka prosím použite **postup a obrázky zobrazené v nemeckom návode na montáž**. V tomto sprievodnom zošitku máte k dispozícii všetky dôležité pokyny a texty vo vašom jazyku. Na základe nasledujúcich príkladov je znázornené, ako sú zložené jednotlivé kroky montáže a zobrazení v nemeckom návode.

Prehľad

V pravom textovom stĺpci nájdete príslušné prehľadné zobrazenia aktuálneho montážneho kroku. Pritom sú diely použité v tomto kroku zobrazené tmavšie a miesta, ku ktorým existujú detailné zobrazenia, sú označené kruhmi. Čiastočne sa táto symbolika používa taktiež pre montážne prehľady alebo kontrolné zobrazenia.

Montážny krok

Rozpiska dielov

Na začiatku každého montážneho kroku nájdete tabuľku s jednotlivými dielmi, ktoré sú potrebné pre tento krok. Tabuľka je rozdelená do šiestich stĺpcov: číslo dielu, číslo pozície, obrázok, označenie dielu, veľkosť resp. dĺžka, potrebné množstvo.

Od kroku 12 sú potrebné rozdielne množstvá jednotlivých dielov v závislosti od príslušného zakúpeného modelu skleníka. V týchto tabuľkách sú rozdelené údaje o množstve do 5 stĺpcov (modely skleníka s 3 až 7 pol'ami). Identifikujte príslušné diely na základe vyrazených čísiel dielov, obrázku a príslušných údajov o dĺžkach resp. veľkostiach.

Montážne upozornenie

Od kroku 12 sa musia kroky čiastočne rozdielne často opakovať. To závisí od druhu zakúpeného modelu skleníka (3 polia až 7 polí). Dbajte na príslušný počet platný pre váš model.

Zobrazenia profilov

V detailných zobrazeniach sa často znázorňujú dodatočné zobrazenia profilov za účelom lepšieho porozumenia.

Nástroje

Tu sa zobrazuje náradie, ktoré je potrebné v tomto kroku.

Opakovanie kroku

Ak sa musia jednotlivé postupy v detailných zobrazeniach viackrát opakovať, tak je v tomto upozorňovacom poli uvedený počet opakovaní.

19 Dachstreben montieren

| Artikel-Nr. | Pos. | Form | Benennung | Größe (mm) | Menge |
|-------------|------|------|-----------------------------|------------|-------|
| 84.080.08 | 1 | | Seitenstrebe | 1395 | 4 |
| 50.041.90 | 2 | | Sechskantschraube | M6x12 | 24 |
| 51.048.11 | 3 | | Sechskantmutter mit Flansch | M6 | 24 |

19/a Innenansicht

19/b Übersicht

Hinweis: Befestigen Sie zunächst die in den Schritten 19/a und 19/b vormontierten Seitenstreben an den Knotenblechen Seite. Legen Sie die Streben von außen zwischen First und Regenrinne. Lockern Sie die oben vormontierte Schraube an der Seitenstrebe und schieben sie in die Aussparung am First. Ziehen Sie die Mutter wieder fest.

Montagehinweis:

| | | | |
|---|--------------|---|--------------|
| 3 | 4x montieren | 4 | 4x montieren |
| 5 | 6x montieren | 6 | 6x montieren |
| 7 | 8x montieren | 8 | 8x montieren |

2 Eckprofile montieren

| Artikel-Nr. | Pos. | Form | Benennung | Größe (mm) | Menge |
|-------------|------|------|-----------------------------|------------|-------|
| 84.080.04 | 1 | | Eckprofil Seite | 1395 | 2 |
| 50.041.90 | 2 | | Sechskantschraube | M6x12 | 12 |
| 51.048.11 | 3 | | Sechskantmutter mit Flansch | M6 | 12 |

2/a Profil

2/b Innenansicht

Übersicht (Vorderwand):

Werkzeug: SW 10

Hinweis:

2/a Schieben Sie in eine Führungsschiene zwei Schrauben jeweils zirka 5 cm von beiden Enden entfernt. In der anderen werden vier Schrauben vormontiert; jeweils zwei zirka 30 cm und zwei zirka 5 cm vom Rand entfernt (vgl. Detailsichten).

2/b Stellen Sie das Eckprofil auf das Bodenprofil. Achten Sie darauf, dass die Führungsschiene mit den vier vormontierten Schrauben zum Bodenprofil zeigt (vgl. Kontrollansicht auf der nächsten Seite).



Dôležité upozornenie:

Na nasledujúcich stranách nájdete sprievodné texty vo vašom jazyku. Tieto sú rozčlenené podľa čísiel strán (nemeckého návodu) a montážnych krokov, aby mohli byť jednotlivé texty jednoznačne priradené nemeckému návodu.

Montážne pokyny:

Strana 7

Montáž stavebnej skupiny predná stena

1 Predmontáž podlahového profilu

Dôležité upozornenie: Za účelom jednoduchej manipulácie by sa mala zmontovať predná a zadná stena poležiaci.

Obrázok dole: Montážny prehľad predná stena s jednoduchými dverami

Strana 8

Obrázok hore: Predná stena s dvojitými dverami

1/a: Nasuňte do vodiacich koľajníc obidvoch podlahových profilov jeden spojovací diel až po príslušné vybrania (pozri obr.). Presné pozície prevezmite prosím z príslušných montážnych prehľadov pre váš skleník.

Strana 9

1/c: Upevnite styčnickový plech podlahy s dodatočnou skrutkou na podlahový profil. Dbajte na to, aby bola táto skrutka nasadená **vľavo** na styčnickovom plechu montovanom vľavo, a naopak **vpravo** na styčnickovom plechu montovanom vpravo (pozri montážny prehľad detail A a detail B).

Strana 11

1/g: Dbajte na to, aby podlahový rohový spoj uzatváral podlahový profil tak ako to je zobrazené na obr. 1/g.

Strana 12

2 Montáž rohových profilov

Strana 13

Obrázok dole: Kontrolné zobrazenie (podlahový profil s rohovými profilmi): Vnútorne zobrazenie

Strana 14

3 Predmontáž štítových profilov

Rozpiska dielov hore: Predná stena s jednoduchými dverami

Rozpiska dielov dole: Predná stena s dvojitými dverami

Dôležité upozornenie: Tento krok sa neskôr opakuje pri stavbe zadnej steny (pozri Montáž stavebnej skupiny zadnej steny). Dbajte na to, aby bola zadná stena postavená analogicky k prednej stene s dvojitými dverami. Použite pritom príslušné stavebné diely (rozpiska dielov prednej steny s dvojitými dverami) a správne kroky.

Obrázok dole: Predná stena s jednoduchými dverami Montážny prehľad / kontrolné zobrazenie (štítové profily): Vnútorne zobrazenie

Dbajte na polohu skrutiek!

Strana 15

Obrázok hore: Predná stena s dvojitými dverami Montážny prehľad / kontrolné zobrazenie (štítové profily): Vnútorne zobrazenie

Dbajte na polohu skrutiek!

Obrázok 3/a: Predná stena s jednoduchými dverami

Obrázok 3/b: Predná stena s dvojitými dverami

Strana 16

Dôležité upozornenie:

Dbajte na to, aby boli montážne plechy vyrovnané tak ako na zobrazeniach 3/c a 3/d. Montážne plechy sa presne nastavujú až neskôr pri nasadzovaní hrebeňa a dažďového žľabu.

Strana 17

Dôležité upozornenie:

Dbajte na to, aby boli dve (predná stena s jednoduchými dverami) resp. tri (predná stena s dvojitými dverami) **predmontované skrutky v strede** orientované dovnútra. Porovnajte pritom príslušné kontrolné zobrazenia na predchádzajúcich stranách.

Strana 18

Kontrolná strana predná stena - jednoduché dvere

Predtým než budete pokračovať s krokom 4, skontrolujte pomocou nasledujúceho obrázku, či ste predmontovali všetky skrutky potrebné pre ďalšie kroky.

Obrázok: Vnútorne zobrazenie predná stena - jednoduché dvere

Strana 19

Kontrolná strana predná stena - dvojité dvere

Predtým než budete pokračovať s krokom 4, skontrolujte pomocou nasledujúceho obrázku, či ste predmontovali všetky skrutky potrebné pre ďalšie kroky.

Obrázok: Vnútorne zobrazenie predná stena - dvojité dvere

Strana 20

4 Montáž štítových profilov strechy na rohové profily

Strana 21

5 Montáž priečnika

Dôležité upozornenie: Nadvihnite skleník s jednoduchými dverami, namontujte priečnik tak ako to je popísané v krokoch 5/a a 5/b. Pre dom s dvojitými dverami namontujte priečnik tak ako to je popísané v krokoch 5/c a 5/d.

Obrázok 5/a + 5/b: Predná stena s jednoduchými dverami

Obrázok 5/a: Dbajte na to, aby ste priečnik namontovali symetricky.

Strana 22

Obrázok 5/c + 5/d: Predná stena s dvojitými dverami

Obrázok 5/c: Dbajte na to, aby ste priečnik namontovali symetricky.

Strana 23

6 Montáž strešnej priečky

Strana 24

7 Montáž dverových priečok jednoduchých dverí

V prípade, že ste zakúpili skleník s **dvojitými dverami**, preskočte bod 7 a pokračujte v montáži krokom 8 „Montáž dverových priečok dvojitých dverí“.

7/a: Na obidva dverové závesy namontujte na jeden koniec vždy jednu skrutku približne 60 cm a jednu skrutku približne 5 cm od okraja. Na druhý koniec sa namontuje vždy jedna skrutka 30 cm a jedna skrutka približne 5 cm od okraja.

Strana 25

7/c: Nasuňte štyri predmontované závesové krídla do vodiacej koľajnice **jedného** dverového závesu. Dbajte na to, aby boli závesové krídla pevne priskrutkované tak ako to je zobrazené na obr. 7/d.

Strana 26

7/e: Na obidve zámkové dosky sa **zľahka** naskrutkujú po dve skrutky so zápustnou hlavou (pol. 3) so šesťhrannými maticami M4 (pol. 4).

Strana 28

7/h: Postavte dverový záves z **vonkajšej** strany medzi podlahový profil a priečnik a upevnite záves pomocou predmontovanej skrutky so šesťhrannou hlavou. Dbajte na to, aby pánty ukazovali smerom do stredu.

Dôležité upozornenie: Dverový záves s pántmi sa nasadí **vľavo** (pri pohľade z vnútornej strany), dverový záves so zámkovými doskami **vpravo**. Dbajte pritom prosím na kontrolné zobrazenie na nasledujúcej strane.

Strana 29

Kontrolné zobrazenie - vnútorné zobrazenie

Obrázok: ľavý profil: dverový záves s pántmi
pravý profil: dverový záves so zámkovými doskami

Upozornenie: Vybrania na podlahovom profile a priečniku označené znamienkom X v kontrolnom zobrazení ostanú voľné. Dbajte na to, aby ste nasadili dverový profil s pántmi a dverový profil so zámkovými doskami tak ako v kontrolnom zobrazení (**vnútorné zobrazenie!**)!

Strana 30

8 Montáž dverových priečok dvojitých dverí

V prípade, že ste zakúpili skleník s **jednoduchými dverami**, preskočte krok 8 a pokračujte v montáži krokom 9 „Montáž zaveťrávacích výstuží a vzpier“.

8/a: Na obidva dverové závesy namontujte na jeden koniec vždy jednu skrutku približne 60 cm, jednu skrutku približne 30 cm a jednu približne 5 cm od okraja. Na druhý koniec sa namontuje vždy jedna skrutka 30 cm a jedna skrutka približne 5 cm od okraja.

Strana 31

8/c + 8/d: Nasuňte **štyri** predmontované závesové krídla do vodiacej koľajnice **jedného** dverového závesu (pozri obr. 8/c). Na **druhý** dverový záves sa upevnia **tri** závesové krídla. Dbajte na to, aby boli závesové krídla pevne priskrutkované tak ako to je zobrazené na obr. 8/d, aby sa mohli neskôr nasadiť dvere s príslušnými protikusmi.

Strana 32

8/e: Dbajte na to, aby pánty ukazovali smerom do stredu.

Dôležité upozornenie: Dverový záves so štyrmi predmontovanými pántmi sa nasadí **vľavo** (pri pohľade z vnútornej strany), dverový záves s tromi pántmi **vpravo**. Dbajte pritom prosím na kontrolné zobrazenie na strane 34 nemeckého návodu na montáž.

Strana 34

Kontrolné zobrazenie - vnútorné zobrazenie

Upozornenie: Vybrania na podlahovom profile a priečniku označené znamienkom X v kontrolnom zobrazení ostanú voľné. Dbajte na to, aby ste nasadili dverové profily s pántmi tak ako v kontrolnom zobrazení (**vnútorné zobrazenie!**)!

Strana 35

9 Montáž zavetrávacích výstuží a vzpier

Rozpiska dielov hore: Predná stena s jednoduchými dverami

Rozpiska dielov dole: Predná stena s dvojíťmi dverami

Upozornenie: Dbajte na to, aby ste vzpery namontovali vodorovne. Skontrolujte prípadne pomocou vodováhy.

Strana 36

Obrázok 9/c: Predná stena s jednoduchými dverami

Strana 37

Obrázok 9/c: Predná stena s dvojíťmi dverami

9/d: Namontujte obidve spodné vzpery tak, aby ležala šikmo prebiehajúca zavetrávacía výstuž raz pred a raz za vzperami (pozri kontrolné zobrazenie na nasledujúcej strane).

Strana 38

Kontrolné zobrazenie (obr. predná stena s jednoduchými dverami)

Upozornenie: Dbajte na to, aby ste vzpery namontovali vodorovne. Skontrolujte prípadne pomocou vodováhy. Starostlivo priskrutkujte skrutky na zavetrávacích výstužiach a vzperách. Až potom sa stane predná stena stabilnou.

Strana 39

Montáž stavebnej skupiny zadná stena

Zopakujte kroky 1 až 6.

Pozor: Použite v kroku 1 „Predmontáž podlahového profilu“ namiesto **upevňovacieho uholníka, krátky (č. výr. 84.631.51) styčnickový plech podlahy (č. výr. 84.620.21)**. Pripevnite styčnickový plech na obidvoch horných otvoroch z vonkajšej strany dodatočne dvoma skrutkami so šesťhrannou hlavou a maticami na podlahový profil.

Pokračujte v montáži po kroku 6 priamo krokom 10.

10 Montáž priečok (zadná stena)

Strana 40

10/c: Dbajte na to, aby bola priečka s tromi predmontovanými skrutkami nasadená na stred.

Strana 42

Kontrolné zobrazenie (vnútorné zobrazenie)

Upozornenie: Vybrania na podlahovom profile a priečniku označené znamienkom X v kontrolnom zobrazení ostanú voľné. Dbajte na to, aby sa priečka s len tromi predmontovanými skrutkami nachádzala uprostred! Skontrolujte odstupy skrutiek.

Strana 43

11 Montáž zavetrávacích výstuží a vzpier na zadnú stenu

Upozornenie: Dbajte na to, aby ste vzpery namontovali vodorovne. Skontrolujte prípadne pomocou vodováhy.

Strana 45

11/d + 11/e: Namontujte obidve spodné vzpery DT (602 mm) tak, aby ležala šikmo prebiehajúca zavetrávacía výstuž raz pred a raz za priečkami (pozri obr. 11/e).

Strana 46

Upozornenie: Dbajte na to, aby ste vzpery namontovali vodorovne. Skontrolujte prípadne pomocou vodováhy. Starostlivo priskrutkujte skrutky na zavetrávacích výstužiach a vzperách. Až potom sa stane predná stena stabilnou.

Strana 47

12 Predmontáž podlahového profilu postrannice

Obrázok uprostred: Montážny prehľad - skleník s 3 poľami

Obrázok dole: Montážny prehľad - skleník so 4 poľami

Strana 48

Obrázok hore: Montážny prehľad - skleník s 5 poľami

Obrázok uprostred: Montážny prehľad - skleník s 6 poľami

Obrázok dole: Montážny prehľad - skleník so 7 poľami

Strana 49

Dôležité upozornenie: V prípade, že ste zakúpili skleník s **3 poľami**, preskočte kroky 12/a a 12/b a pokračujte v montáži krokom 12/c.

Strana 50

Dôležité upozornenie: V prípade, že ste si k vášmu skleníku s **3 poľami** zakúpili **ocelové základy** (zvláštne príslušenstvo) musia sa na podlahový profil namontovať dodatočné skrutky. V prípade, že nepoužívate ocelové základy, preskočte prosím krok 12/c a pokračujte v montáži krokom 12/d.

Obrázok 12/c: Podlahový profil - skleník s 3 poľami

12/c: Nasuňte do vodiacej koľajnice podlahových profilov pre skleník s 3 poľami vždy tri skrutky až do stredu (pozri montážny prehľad). Tieto skrutky sú potrebné pre neskoršie pripevnenie na ocelový základ (zvláštne príslušenstvo). Ak nepoužívate ocelové základy, nemusia sa tieto skrutky predmontovať.

12/d: Nasuňte do vodiacej koľajnice predmontovaných podlahových profilov vždy jednu skrutku približne 10 cm od okraja (pozri tiež montážny prehľad).

Strana 51

13 Predmontáž dažďového žľabu

Dôležité upozornenie pre skleník s 3 poľami: V prípade, že ste zakúpili **skleník s 3 poľami**, preskočte bod 13 a pokračujte v montáži krokom 15. Pre skleník s 3 poľami nie je potrebná žiadna predmontáž dažďového žľabu.

Obrázok dole: Montážny prehľad - skleník so 4 poľami

Strana 52

Obrázok hore: Montážny prehľad - skleník so 5 poľami

Obrázok uprostred: Montážny prehľad - skleník so 6 poľami

Obrázok dole: Montážny prehľad - skleník so 7 poľami

Strana 55

14 Predmontáž hrebeňa

Dôležité upozornenie pre skleník s 3 poľami: V prípade, že ste zakúpili **skleník s 3 poľami**, preskočte bod 14 a pokračujte v montáži krokom 15. Pre skleník s 3 poľami nie je potrebná žiadna predmontáž hrebeňového profilu.

Obrázok uprostred: Montážny prehľad - skleník so 4 poľami

Obrázok dole: Montážny prehľad - skleník so 5 poľami

Strana 56

Obrázok hore: Montážny prehľad - skleník so 6 poľami

Obrázok uprostred: Montážny prehľad - skleník so 7 poľami

14/a: Nasuňte čap s **ryhovanou stranou dopredu** do príslušného otvoru hrebeňového profilu.

Strana 58

15 Montáž podlahového profilu na prednej a zadnej strane

15/a: Nasuňte podlahový profil (postrannica) predmontovaný v kroku 12 do rohového krytu na rohovom profile.

Dôležité upozornenie: V prípade, že máte **skleník s 5 poľami**, musia sa na postranné podlahové profily namontovať tak, aby boli obidva kratšie profily (1414 mm) nasmerované k prednej stene!

Strana 59

16 Montáž profilu dažďového žľabu na prednej a zadnej strane

16/a: Nasuňte profil dažďového žľabu až na doraz na prednú resp. zadnú stenu. Nastavte prípadne rohové a štítové profily nanovo, aby sa mohol dažďový žľab správne založiť. Za týmto účelom sa musia uvoľniť skrutky na montážnom plechu.

Dôležité upozornenie: V prípade, že máte **skleník s 5 poľami**, musia sa na profily dažďového žľabu namontovať tak, aby boli obidva kratšie profily (1414 mm) nasmerované k prednej stene!

Strana 60

17 Montáž hrebeňového profilu na prednej a zadnej strane

17/a: Nasuňte hrebeň až na doraz na prednú resp. zadnú stenu. Nastavte prípadne štítové profily nanovo, aby sa mohol hrebeň správne založiť. Za týmto účelom sa musia uvoľniť skrutky na montážnom plechu.

Dôležité upozornenie: V prípade, že máte **skleník s 5 poľami**, musí sa hrebeňový profil namontovať tak, aby bol kratší profil (1414 mm) nasmerovaný k prednej stene!

18 Montáž postranných priečok

18/a: Na postranné priečky hore a dole namontujte vždy jednu skrutku približne 5 cm od okraja. Prosím dbajte na presný počet platný pre váš skleník.

18/b: Na ostatné postranné priečky dole namontujte jednu skrutku približne 5 cm od okraja. Hore sa namontujú dve skrutky, jedna približne 10 cm a druhá skrutka približne 5 cm od okraja.

18/c: Namontujte postranné priečky so štyrmi predmontovanými skrutkami (pozri krok 18/b) na styčnickových plechoch na podlahový profil a dažďový žľab.

19 Montáž strešných priečok

Upozornenie: V nasledujúcom kroku sa nasadia postranné priečky (strecha). Prosím dbajte bezpodmienečne na príslušné **kontrolné zobrazenia** pre váš skleník a porovnajte **kroky predmontáže** (krok 19/a až 19/d) s týmito zobrazeniami, predtým než nasadíte priečky.

Strešné priečky so **skrutkami predmontovanými uprostred** (pozri obr. 19/b resp. 19/d) budete potrebovať neskôr na nasadenie okennej priečky a okna. Na nasledujúcich obrázkoch je možné vidieť, na ktorých miestach sa nasadia okná do vášho skleníka.

Obrázok dole: Kontrolné zobrazenie strecha: Skleník s 3 poľami

Legenda:

- poloha predmontovaných skrutiek
- 1 skrutka

Obrázok hore: Kontrolné zobrazenie strecha: Skleník s 4 poľami

Obrázok dole: Kontrolné zobrazenie strecha: Skleník s 5 poľami

Legenda:

- poloha predmontovaných skrutiek
- 1 skrutka
- 2 skrutky
- poloha už namontovaných styčnickových plechov na hrebeni a dažďovom žľabe

Obrázok hore: Kontrolné zobrazenie strecha: Skleník s 6 poľami

Obrázok dole: Kontrolné zobrazenie strecha: Skleník s 7 poľami

Legenda:

- poloha predmontovaných skrutiek
- 1 skrutka
- 2 skrutky
- poloha už namontovaných styčnickových plechov na hrebeni a dažďovom žľabe

19/a: Bezpodmienečne dbajte na montážne upozornenie a kontrolné zobrazenie vášho skleníka.

19/e: Upevnite najskôr postranné priečky predmontované v krokoch 19/c a 19/d na styčnickových plechoch postrannice. Položte priečky z vonkajšej strany medzi hrebeň a dažďový žľab.

20 Montáž okenného dorazového profilu

20/b: Nasadte okenný dorazový profil zvnútra medzi postranné priečky (strecha) so **skrutkami predmontovanými uprostred** (pozri kontrolné zobrazenia krok 19). Dbajte na to, aby boli vybrania určené pre skrutky orientované smerom nadol (pozri obr. 20/c).

21 Montáž styčnickových plechov

Dôležité upozornenie: V prípade, že máte skleník s **3 poľami**, preskočte bod 21 a pokračujte v montáži krokom 22.

21/a: Upevnite styčnickové plechy 120° na priečkach, na ktoré ste predtým namontovali skrutky.

21/b: Upevnite nakoniec styčnickový plech 120° hore na strešných priečkach, na ktoré ste predtým namontovali skrutky.

Strana 75

22 Montáž zavetrávacích výstuží postrannice

Upozornenie: Prosím dbajte pri montáži zavetrávacích výstuží postranných na to, aby ste nasadili tieto zavetrávacie výstuže tak ako to je popísané v príslušných **montážnych prehľadoch / kontrolných zobrazeniach postrannice**.

Obrázok dole: Montážny prehľad / kontrolné zobrazenie postrannice: Skleník s 3 poľami

Strana 76

Obrázok hore: Montážny prehľad / kontrolné zobrazenie postrannice: Skleník s 4 poľami

Obrázok dole: Montážny prehľad / kontrolné zobrazenie postrannice: Skleník s 5 poľami

Strana 77

Obrázok hore: Montážny prehľad / kontrolné zobrazenie postrannice: Skleník s 6 poľami

Obrázok dole: Montážny prehľad / kontrolné zobrazenie postrannice: Skleník s 7 poľami

Strana 79

23 Montáž zavetrávacích výstuží strechy

Upozornenie: Prosím dbajte pri montáži zavetrávacích výstuží strechy na to, aby ste nasadili tieto zavetrávacie výstuže tak ako to je popísané v príslušných **montážnych prehľadoch / kontrolných zobrazeniach strechy**. Iba tak je možné optimálne zaručiť potrebnú stabilitu skleníka.

V objeme dodávky pre skleníky s **3 poľami**, **5 poľami** a **6 poľami** je obsiahnuté väčšie množstvo zavetrávacích výstuží ako je skutočne potrebné pre montáž.

Obrázok dole: Montážny prehľad / kontrolné zobrazenie strechy: Skleník s 3 poľami

Strana 80

Obrázok hore: Montážny prehľad / kontrolné zobrazenie strechy: Skleník s 4 poľami

Obrázok dole: Montážny prehľad / kontrolné zobrazenie strechy: Skleník s 5 poľami

Strana 81

Obrázok hore: Montážny prehľad / kontrolné zobrazenie strechy: Skleník s 6 poľami

Obrázok dole: Montážny prehľad / kontrolné zobrazenie strechy: Skleník s 7 poľami

Dôležité upozornenie: Dbajte prosím na to, že sa na skleníku so 7 poľami v obidvoch prostredných segmentoch nenasadzuje žiadna zavetrávacia výstuha.

Strana 83

Montáž stavebnej skupiny základy

Dôležité upozornenie: Predtým než budete pokračovať v montáži s **časťou 2** návodu, musíte umiestniť skleník na jeho konečnú polohu a pripevniť na **základy** (betónové, murované alebo oceľové základy)! Skleník sa neskôr nebude môcť premiestňovať. V prípade, že postavíte Váš skleník na **betónové / murované základy**, pokračujte v montáži týmto krokom.

V prípade, ste zakúpili ako príslušenstvo **oceľové základy** (nie sú súčasťou dodávky skleníka), namontujte ich podľa návodu na montáž oceľových základov.

Ukotvenie na betónové / murované základy

Na ukotvenie skleníka na betónových resp. murovaných základoch potrebujete tento montážny materiál (nie je obsiahnutý v objeme dodávky):

- kotviace kolíky
- šesťhranné skrutky do dreva
- podložky

Z každej položky potrebujete 1 kus na každú podlahovú rohový spojku a 2 kusy na každý podlahový styčnickový plech resp. upevňovací uholník.

Pozor: Používajte **kotviace kolíky vhodné** pre betónové / murované základy!

Pre kolíky sa musia predvŕtať otvory do základov. Pred vŕtaním postavte skleník na základy a vyznačte si značky na (upevňovacie) uholníky.

Strana 86

Zvláštne príslušenstvo (nie je súčasťou objemu dodávky)

č. výr. 36.405.90: Kotviaca súprava BD4-Set (4 x pôdne kotvy)

č. výr. 36.405.91: Kotviaca súprava BD6-Set (6 x pôdnych kotiev)

Upozornenie:

S kotviacou súpravou môžete upevniť váš skleník resp. oceľové základy do zeme. Príslušné počty kotviacich súprav potrebných konkrétne pre váš skleník prevezmite z nasledujúcich prehľadov. Pozície, na ktoré sa upevňujú jednotlivé pôdne kotvy, sú označené kruhmi. Aby sa určili presné pozície pôdnych kotiev, postavte váš skleník na jeho konečné miesto. Označte si následne miesta, na ktorých sa budú upevňovať pôdne kotvy.



Obrázok uprostred: Pôdorys skleníka s 3 poľami
Potrebné kotviace súpravy: 2 x BD4-Set
(č. výr. 36.405.90)

Obrázok dole: Pôdorys skleníka s 4 poľami
Potrebné kotviace súpravy: 1 x BD4-Set
(č. výr. 36.405.90) + 1 x BD6-Set (č. výr. 36.405.91)

Strana 87

Obrázok hore: Pôdorys skleníka s 5 poľami
Potrebné kotviace súpravy: 1 x BD4-Set
(č. výr. 36.405.90) + 1 x BD6-Set (č. výr. 36.405.91)

Obrázok uprostred: Pôdorys skleníka so 6 poľami
Potrebné kotviace súpravy: 1 x BD4-Set
(č. výr. 36.405.90) + 1 x BD6-Set (č. výr. 36.405.91)

Obrázok dole: Pôdorys skleníka s 7 poľami
Potrebné kotviace súpravy: 1 x BD4-Set
(č. výr. 36.405.90) + 1 x BD6-Set (č. výr. 36.405.91)



- (D)** ISC GmbH
Eschenstraße 6
D-94405 Landau/Isar
Tel. (0180) 5 120 509 (12 Ct/min), Fax (0180) 5 835 830 (12 Ct/min)
- (A)** Hans Einhell Österreich Gesellschaft m.b.H.
Mühlgasse 1
A-2353 Guntramsdorf
Tel. (02236) 53516, Fax (02236) 52369
- (CH)** Einhell Schweiz AG
St. Gallerstraße 182
CH-8404 Winterthur
Tel. (052) 2358787, Fax (052) 2358700
- (GB)** Einhell UK Ltd
Unit 5 Morpeth Wharf
Twelve Quays
Birkenhead, Wirral
CH 41 1NG
Tel. 0151 6491500, Fax 0151 6491501
- (F)** METLAND
Z.I. Des Renardières
Rue des Vignes
F-77250 Ecuelles
Tel. 01 64316211; Fax 01 64316201
mail: sav@metland.fr
- (NL)**
(B) Einhell Benelux
Veldsteen 44
NL-4815 PK Breda
Tel. 076 5986470, Fax 076 5986478
- (E)** Comercial Einhell, S.A.
Travesia Villa Ester, 9 B
Poligono Industrial El Nogal
E-28119 Algete-Madrid
- (P)** Einhell Portugal Lda.
Apartado 2100
Rua da Aldeia, 225 Apartado 2100
P-4410-459 Arcozelo (VNG)
Tel. 122 0917500 Fax 122 0917529
- (I)** Einhell Italia s.r.l.
Via Marconi, 16
I-22070 Beregazzo (Co)
Tel. 031 992080, Fax 031 992084
- (DK)** Einhell Skandinavia
Bergsoesvej 36
DK-8600 Silkeborg
Tel. 087 201200, Fax 087 201203
- (S)** Hasse Haraldson
Barlastgatan 3
S-41463 Göteborg
Tel. 031 123160, Fax 031 123165
- (N)** Einhell Norge A/S
Sophus Buggesvej 48
Postboks 2005
N-3255 Larvik
Tel. 033 179840, Fax 033 179841
- (FIN)** Kauppahuone Harju OY
Korjaamonkatu 2
FIN-33840 Tampere
Tel. 0358 207431330, Fax 0358 207431320
- (PL)** Einhell Polska sp. Z.o.o.
Ul. Wymyslowskiego 1
PL-55-080 Nowa Wies Wroclaska
Tel. 071 3346508, Fax 071 3346503
- (H)** Einhell Hungaria Service
Pannoniastr. 32
H-1136 Budapest
Tel. 01 2370494, Fax 01 2370495
- (TR)** Semak
makina ticaret ve sanayi ltd. sti.
Altay Cesme mah. Yasemin Sok. No: 19
TR 34843 Maltepe - Istanbul
Tel. 0216 4594865, Fax 0216 4429325
- (SK)** Agi s.r.o
Stefanikova 10
SK-91101 Treicin
Tel. 32 7445270, Fax 32 7445270
- (RO)** Einhell Distribution SRL
Drumul Odaii 26 A
Otopeni, Ilfov
RO-075100 Bucuresti
Tel. 021 2664302, Fax 021 2664313
- (CZ)** Service Einhell
Trebohostcka 2283
CZ-10000 Prag 10
Tel. 00420 272123244, Fax 04020 272 123 244
- (BG)** Slav GmbH
Mihail Koloni str. 18 W
BG-9000 Varna
Tel. 052 601653
- (HR)** Einhell Croatia d.o.o.
Velika Ves 2
HR-49224 Lepajci
Tel 049 342 444, Fax 049 342 392
- (SLO)** GMA-Elektromechanika d.o.o
Cesta Andreja Bitenca 115
SLO 1000 Ljubljana
Tel 01/5838304, Fax 01/5183803
- (GR)** An. Mavrofidopoulos S.A.
Technical & Commercial Company
12, Papastratou & Asklipiou Str.
GR 18545 Piräus
Tel 0210 4136155, Fax 0210 4137692
- (RUS)** Bermas, Moscow
Altufyevskoe shosse, 2A
RUS-127273 Moscow
Tel. 095 5401750 (central office)
Tel. 095 9033761 (Repair center Moscow)
Tel. 812 2240544 (Repair center St. Petersburg)
- (LT)**
(LV) Dirbita
Metalo str. 23
LT-02190 Vilnius
Tel 05 2395769, Fax 05 2395770
- (EST)** AS Baltoil
Roiu alev
Haaslava vald
EE-62102 Tartu
Tel 07 301 700, Fax 07 301 701
- (IR)** Alborz Abzar Co. Ltd.
No. 111, Bastan Passage, Imam Khomeini Ave.
IR-11146 Teheran
Tel 021 6716072, Fax 021 6727177
- (BIH)** Einhell BiH d.o.o.
Poslovni Centar 96
BA-72250 Vitez
Tel 030 717250, Fax 030 717255
- (ZA)** Eurasia Industrial and Automotive Supply
3, Bessemer Str.
Duncanville
ZA-Vereeniging 1939
Tel 016 455 571 2, Fax 016 455 571 6
- (BY)** Svyaz Prominvest Ltd.
#207-11, Skariny av.
BY-220023 Minsk
Tel 017 2642777, Fax 017 2642591
- (SCG)** Woby House
Brace Ribnikara 55
SCG-21000 Novi Sad
Tel 021 4722216, Fax 021 4722217

GB WARRANTY CERTIFICATE

The product described in these instructions comes with a 2 year warranty covering defects. This 2-year warranty period begins with the passing of risk or when the customer receives the product.

For warranty claims to be accepted, the product has to receive the correct maintenance and be put to the proper use as described in the operating instructions.

Your statutory rights of warranty are naturally unaffected during these 2 years.

This warranty applies in Germany, or in the respective country of the manufacturer's main regional sales partner, as a supplement to local regulations. Please note the details for contacting the customer service center responsible for your region or the service address listed below.

NL GARANTIE

Op het in de handleiding genoemde toestel geven wij 2 jaar garantie voor het geval dat ons product gebreken mocht vertonen. De periode van 2 jaar gaat in met de gevaarovergang of de overname van het toestel door de klant.

De garantie kan enkel worden geclaimd op voorwaarde dat het toestel naar behoren is onderhouden en gebruikt conform de handleiding.

Vanzelfsprekend blijven u de wettelijke garantierechten binnen deze 2 jaar behouden.

De garantie geldt voor het grondgebied van de Bondsrepubliek Duitsland of van de respectievelijke landen van de regionale hoofdverdelers als aanvulling van de ter plaatse geldende wettelijke voorschriften. Gelieve zich tot uw contactpersoon van de regionaal bevoegde klantendienst of tot het hieronder vermelde serviceadres te wenden.

I CERTIFICATO DI GARANZIA

Per l'apparecchio indicato nelle istruzioni concediamo una garanzia di 2 anni, nel caso il nostro prodotto dovesse risultare difettoso. Questo periodo di 2 anni inizia con il trapasso del rischio o la presa in consegna dell'apparecchio da parte del cliente. Le condizioni per la validità della garanzia sono una corretta manutenzione secondo le istruzioni per l'uso così come un utilizzo appropriato del nostro apparecchio.

Naturalmente in questo periodo di 2 anni continuiamo ad assumerci gli obblighi di responsabilità previsti dalla legge.

La garanzia vale per il territorio della Repubblica Federale Tedesca o dei rispettivi paesi del principale partner di distribuzione di zona a completamento delle norme di legge in vigore sul posto. Rivolgersi all'addetto del servizio assistenza clienti incaricato della rispettiva zona o all'indirizzo di assistenza clienti riportato in basso.

SK Záručný list

Na prístroj popísaný v návode na obsluhu poskytujeme záruku 2 roky, ktorá sa vzťahuje na prípad, keby bol výrobok chybný. Záručná 2-ročná lehota sa začína prechodom rizika alebo prevzatím prístroja zákazníkom. Predpokladom pre uplatnenie nárokov zo záruky je správna údržba prístroja podľa návodu na obsluhu ako aj používanie prístroja výlučne len na tie účely, na ktoré bol určený.

Samozrejme Vám ostávajú zachované zákonom predpísané práva na záruku vpo dobu trvania týchto 2 rokov.

Záruka platí pre oblasť Spolkovej republiky Nemecko alebo príslušných krajín regionálneho hlavného distribučného partnera ako doplnenie k lokálne platným zákonným predpisom. Prosím informujte sa u Vášho kontaktného partnera príslušného regionálneho zákaznického servisu alebo na dole uvedenej

F GARANTIE

Nous fournissons une garantie de 2 ans pour l'appareil décrit dans le mode d'emploi, en cas de vice de notre produit. Le délai de 2 ans commence avec la transmission du risque ou la prise en charge de l'appareil par le client.

La condition de base pour le faire valoir de la garantie est un entretien en bonne et due forme, conformément au mode d'emploi, tout comme une utilisation de notre appareil selon l'application prévue.

Vous conservez bien entendu les droits de garantie légaux pendant ces 2 ans.

La garantie est valable pour l'ensemble de la République Fédérale d'Allemagne ou des pays respectifs du partenaire commercial principal en complément des prescriptions légales locales. Veuillez noter l'interlocuteur du service après-vente compétent pour votre région ou l'adresse mentionnée ci-dessous.

S GARANTIBEVIS

Vi lämnar 2 års garanti på produkten som beskrivs i bruksanvisningen. Denna garanti gäller om produkten uppvisar brister. 2-års-garantin gäller från och med riskövergången eller när kunden har tagit emot produkten från säljaren.

En förutsättning för att garantin ska kunna tas i anspråk är att produkten har underhållits enligt instruktionerna i bruksanvisningen samt att produkten har använts på ändamålsenligt sätt.

Givetvis gäller fortfarande de lagstadgade rättigheterna till garanti under denna 2-års-period.

Garantin gäller endast för Förbundsrepubliken Tyskland eller i de länder där den regionala centraldistributionspartnern befinner sig som komplettering till de lagstadgade föreskrifter som gäller i resp. land. Kontakta din kontaktperson vid den regionala kundtjänsten eller vänd dig till serviceadressen som anges nedan.

CZ ZÁRUČNÍ LIST

Na přístroj označený v návodu poskytujeme záruku 2 let, pro ten případ, že by byl náš výrobek vadný. Tato 2letá lhůta začíná přechodem rizika nebo převzetím přístroje zákazníkem.

Předpokladem pro uplatňování záruky je řádná údržba příslušně podle návodu k obsluze a používání našeho přístroje k určenému účelu.

Samozřejmě Vám během těchto 2 let zůstanou zachována zákonná záruční práva.

Záruka platí na území Spolkové republiky Německo nebo příslušné země regionálního hlavního distribučního partnera jako doplněk lokálně platných zákonných předpisů. V případě potřeby se prosím obraťte na Vašeho kontaktního partnera regionálního příslušného zákaznického servisu nebo na dolo uvedenou servisní adresu.

- GB Technical changes subject to change
- F Sous réserve de modifications
- NL Technische wijzigingen voorbehouden
- S Förbehåll för tekniska förändringar
- I Con riserva di apportare modifiche tecniche
- CZ Technické změny vyhrazeny
- SK Technické změny vyhradené

Art.-Nr.: 58.565.57