



Electric Hammer Drill BH 920

Art.-No.: **42.582.12**

Bar code: 4006825514988

Sales unit: 3 pcs

Powerful hammer drill with SDS-Plus-chuck, additional handle and depth gauge in a handy case. Equipped with hammer stop facility for smooth initial drilling and with rotation stop facility for chiselling work.

Features:

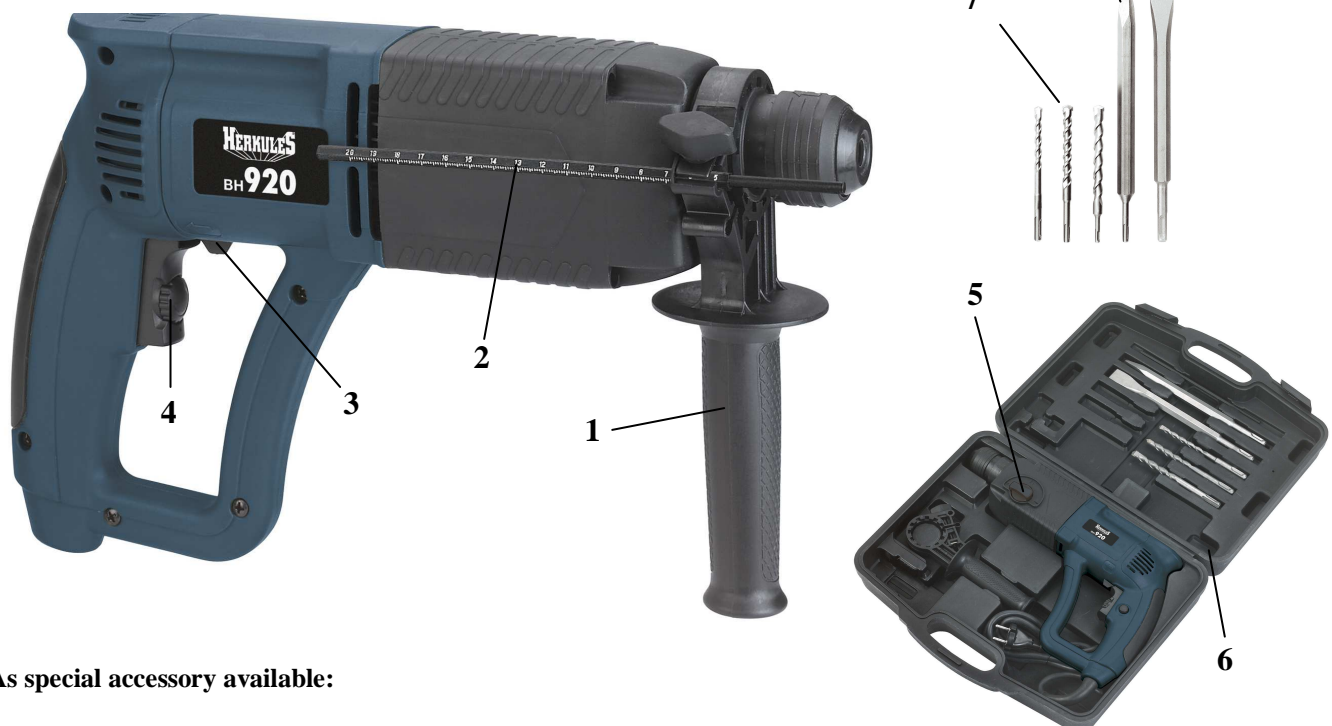
- Additional handle (1)
- Depth gauge (2)
- Switch for rotating direction (3)
- Switch with control electronic (4)
- Dispatcher drilling / hammer drilling / chiselling (5)

Technical data:

- | | |
|---------------------------|--------------------------|
| - Mains: | 230 V ~ 50 Hz |
| - Power: | 920 watts |
| - Idle speed: | 0-980 min ⁻¹ |
| - Blow rate: | 0-5185 min ⁻¹ |
| - Impact Power: | 2,5 joule |
| - Drilling capacity max.: | 26 mm concrete/stone |
| - Weight: | 5,5 kg |
| - Packing dimensions: | 400 x 115 x 330 mm |

Standard accessory:

- Transport and storage case (6)
- Drill bits: Ø 8, 10 and 12 mm (7)
- Pointed chisel (8)
- Flat chisel (9)



As special accessory available:

- Chisel-set
SDS-Plus-chisel-set 3 pcs
- 10 pcs. drill bits and chisel set
Ø 5, 6, 8, 10, 12, 14, 16, 18, 22 mm, 1 flat chisel

Art.-No.: **42.581.57**

Bar code: 4006825421545

Art.-No.: **42.581.91**

Bar code: 4006825422962

Abbildungen können nicht im Serien-Lieferumfang enthaltenes Zubehör darstellen / Illustrations can contain accessories, which are not included in standard extent of delivery.

Abbildungen ähnlich, produktionsbedingte Abweichung vorbehalten / Illustration similar (in design), production-wise modifications reserved

File: G:\Webshop\T-Produktbeschreibung\60\Originale_Englisch_PA04\4258212_01015.doc

Erstelldatum / create date: 23.11.2005 11:32

Aktualisiert / up dated: 19.12.2005