

# *challenge* **xtreme**

## **Original Operating Instructions Mini Hand-Held Circular Saw**

**WARNING! PLEASE READ THESE INSTRUCTIONS  
BEFORE OPERATING THIS UNIT**

**KEEP THIS MANUAL FOR FUTURE REFERENCE**

**CE**

**Art.-Nr.: 43.309.59 I.-Nr.:11022 CX-CS 860 L**

**Helpline No  
0844 801 8701 / IRE 189 094 6244**

Contents	Page
1. Safety information	3
2. Layout and items supplied	7
3. Intended use	9
4. Technical data	9
5. Before starting the equipment	9
6. Operation	12
7. Replacing the power cable	15
8. Cleaning, maintenance and ordering of spare parts	15
9. Disposal and recycling	15
10. Storage	15
11. Declaration of Conformity	17
12. Guarantee	18

**Helpline No 0844 801 8701 / IRE 189 094 6244**



**“Caution - Read the operating instructions to reduce the risk of injury”**



**Wear ear-muffs.**

The impact of noise can cause damage to hearing.



**Wear a breathing mask.**

Dust which is injurious to health can be generated when working on wood and other materials. Never use the device to work on any materials containing asbestos!



**Wear safety goggles.**

Sparks generated during working or splinters, chips and dust emitted by the device can cause loss of sight.

**⚠ Important.**

**When using the equipment, a few safety precautions must be observed to avoid injuries and damage. Please read the complete operating instructions and safety information with due care. Keep these operating instructions in a safe place so that the information is available at all times. If you give the equipment to any other person, hand over these operating instructions and the safety information as well. We cannot accept any liability for damage or accidents which arise due to a failure to follow these instructions and the safety information.**

**Helpline No 0844 801 8701 / IRE 189 094 6244**

## General safety instructions for electric tools

**⚠ CAUTION: Read all safety regulations and instructions.** Any failures made in following the safety regulations and instructions may result in an electric shock, fire and/or serious injury.

**Keep all safety regulations and instructions in a safe place for future use.**

The term “electric tool” used in the safety instructions refers to electric tools operated from the mains power supply (with a power cable) and to battery operated electric tools (without a power cable).

### 1. Workplace safety

- a) **Keep your work area clean and well illuminated.** Untidy or unlit work areas can result in accidents.
- b) **Do not operate the electric tool in an environment where there is a risk of explosions and where there are inflammable liquids, gases or dust.** Electric tools produce sparks which could set the dust or vapours alight.
- c) **Keep the electric tool out of the reach of children and other persons.** If there is a distraction, you may lose control of the appliance.

### 2. Electrical safety

- a) **The connector plug from this electric tool must fit into the socket. The plug should never be altered in any way. Never use adapter plugs together with earthed electric tools.** Unaltered plugs and correct sockets reduce the risk of an electric shock.
- b) **Avoid bodily contact with earthed surfaces such as pipes, heating, ovens and fridges.** The risk of electric shock is increased if your body is earthed.
- c) **Keep the tool out of the rain and away from moisture.** The ingress of water into an electric tool increases the risk of an electric shock.
- d) **Do not use the cable to carry the electric tool, to hang it up or to pull it out of the socket. Keep the cable away from heat, oil, sharp edges and moving parts of the appliance.** Damaged or entangled cables increase the risk of an electric shock.
- e) **If you are working outdoors with an electric tool, only use extension cables which are designed specifically for this purpose.** Using specially designed outdoor extension cables, the risk of electric shock is reduced.
- f) **If operation of the electric tool in a damp environment can not be avoided, use a earth-leakage circuit-breaker.** The earth-leakage circuit-breaker reduces the risk of an electric

shock.

### 3. Safety of persons

- a) **Be careful, watch what you are doing and use an electric tool sensibly. Do not use the tool if you are tired or under the influence of drugs, alcohol or medication.** A moment of inattention when using the electric tool can result in serious injuries.
- b) **Wear personal protection equipment and always wear safety goggles.** Wearing personal protection (such as dust masks, non-slip safety shoes, safety helmet or ear protection, depending upon the type and use of the electric tool) reduces the risk of injury.
- c) **Make sure that the appliance cannot start up accidentally. Ensure that the electric tool is switched off before you connect it to the power supply and/or insert the battery, or pick up or carry the tool.** If your finger is on the switch whilst carrying the electric tool or if you connect the appliance to the mains when it is switched on, this can lead to accidents.
- d) **Remove keys and wrenches before switching on the electric tool.** A tool or key which comes into contact with rotating parts of the appliance can lead to injuries.
- e) **Avoid abnormal working postures. Make sure you stand squarely and keep your balance at all times.** In this way, you can control the electric tool better in unexpected circumstances.
- f) **Wear suitable work clothes. Do not wear loose clothing or jewellery. Keep hair, clothes and gloves away from moving parts.** Loose clothing, jewellery or long hair can get trapped in moving parts.
- g) **If vacuuming devices and draining devices can be fitted, make sure that these are correctly attached and correctly used.** The use of a dust extraction system can reduce the danger posed by dust.

### 4. Usage and treatment of the electric tool

- a) **Do not overload the appliance. Use the correct tool for your work.** You will be able to work better and more safely within the given performance boundaries.
- b) **Do not use an electric tool with a defective switch.** An electric tool that cannot be switched on or off is dangerous and must be repaired.
- c) **Pull the plug out of the socket and/or remove the battery before making any adjustments to the appliance, changing accessories or put the appliance down.** This safety measure prevents starting the electric tool unintentionally.
- d) **Keep unused electric tools out of the reach**

**Helpline No 0844 801 8701 / IRE 189 094 6244**  
**03**

of children. Do not allow people who are not familiar with the appliance or who have not read these instructions to use the appliance. Electric tools are dangerous if they are used by inexperienced people.

- e) **Clean your electric tool carefully. Check whether moving parts are functioning properly and not jamming, whether parts are broken or damaged enough that the functioning of this electric tool is affected. Have damaged parts repaired before using the appliance.** Many accidents are caused by badly maintained electric tools.
- f) **Keep your cutting tools sharp and clean .** Carefully maintained cutting tools with sharp cutting edges will jam less and are easier to control.
- g) **Make sure to use electric tools, accessories, attachments, etc. in accordance with these instructions. Take the conditions in your work area and the job in hand into account.** Using electric tools for any purpose other than the one for which they are intended can lead to dangerous situations.

## 5. Service

- a) **Have your electric tool repaired only by trained personnel using only genuine spare parts.** This will ensure that your electric tool remains safe to use.

## Safety instructions for all saws

### Danger:

- a) **Do not reach into the sawing area or touch the saw blade. Hold the additional handle or the motor casing with your other hand.** If you hold the circular saw in both hands, the saw blade cannot injure them.
- b) **Do not reach under the workpiece.** The guard hood cannot protect you from the saw blade under the workpiece.
- c) **Adjust the cutting depth to the thickness of the workpiece.** Less than one full tooth height should be visible under the workpiece.
- d) **Never hold the workpiece you wish to saw in your hand or on your leg. Secure the workpiece on a sturdy surface.** It is important that you secure the workpiece well to minimize the danger of body contact, the saw blade jamming or loss of control.
- e) **Hold the appliance only by the insulated handles when carrying out work during which the cutting tool could strike concealed power cables or its own cable.** Contact with a

live cable will also make the metal parts of the appliance live and will cause an electric shock.

- f) **Always use a stop or a straight edge when carrying out longitudinal cuts.** This will improve your cutting accuracy and reduce the possibility of the saw blade jamming.
- g) **Always use saw blades of the correct size and with a suitable mounting hole (diamond-shaped or round).** Saw blades that do not match the mounting parts of the saw will not rotate truly and will result in a loss of control.
- h) **Never use damaged or incorrect saw blade washers or screws.** The saw blade washers and screws have been specially designed for your saw to ensure perfect performance and operational safety.

## Additional safety instructions for all saws

Causes of and ways to avoid recoil:

- A recoil is the sudden reaction resulting from a caught, jammed or incorrectly aligned saw blade which may result in the saw leaping out of the workpiece out of control and towards the operator.
- If the saw blade becomes caught or jammed in closing saw gap, it will block and the power of the motor will cause the saw to leap backwards towards the operator.
- If the saw blade is twisted or incorrectly aligned in the cut, the teeth in the rear saw blade edge may become caught in the surface of the workpiece, which results in the saw blade leaping out of the saw gap and the saw leaping towards the operator.

A recoil is the result of incorrect or wrong use of the saw. It can be prevented by suitable precautions, as described below.

- a) **Hold the saw firmly in both hands and hold your arms in a position in which you can withstand the recoil forces. Always hold the saw blade to one side. Never hold the saw blade in a straight line with your body.** In the event of a recoil the circular saw may leap backwards, but the user can still overcome the recoil forces if he has taken suitable precautions.
- b) **If the saw blade jams or the sawing operating is interrupted for another reason, release the ON/OFF switch and hold the saw steady in the workpiece until the saw blade has reached a complete standstill. Never attempt to take the saw out of the workpiece or to pull it backwards whilst the saw blade is moving or there is a possibility of a recoil.**

**Helpline No 0844 801 8701 / IRE 189 094 6244**

Find the reason for the blade jamming and rectify it by suitable means.

- c) **If you wish to restart a saw that is already in the workpiece, center the saw blade in the saw gap and check that the saw's teeth are not caught in the workpiece.** If the saw blade is jammed it may move out of the workpiece or cause a recoil when the saw is restarted.
- d) **Support large panels to reduce the risk of a recoil by a jammed saw blade.** Large panels may sag under their own weight. Panels must be supported on both sides both near the saw gap and also at the edge.
- e) **Do not use blunt or damaged saw blades.** Saw blades with blunt or incorrectly aligned teeth will create increased friction due to the saw gap being too small. In addition the saw blade may also jam and cause recoil.
- f) **Secure the cutting depth and cutting angle settings before starting to saw.** If the settings change as you are sawing, the saw blade may jam and cause recoil.
- g) **Be particularly careful when carrying out a "plunge cut" in a concealed area such as an existing wall.** The plunge-cutting saw blade may block when sawing into concealed objects and thus cause recoil.

**the floor unless the bottom guard hood is covering the blade.** An unprotected, moving saw blade will cause the saw to move opposite to the sawing direction and saw through anything in its way. Remember that the saw takes a little time to slow down and stop.

**Do not lose these safety instructions**

#### **Safety instructions for saws with a swing guard hood**

- a) **Check that the bottom safety hood closes perfectly before using the appliance. Do not use the saw if the bottom safety hood does not move freely and does not close immediately. Never clamp or tie the bottom guard hood in open position.** If you drop the saw by accident the bottom guard hood may become bent. Open the safety hood with the lever and ensure that it moves freely and will not come into contact with the saw blade or other parts regardless of the cutting angle and depth.
- b) **Check the function of the spring on the bottom safety hood. Have the appliance serviced before you use it if the bottom safety hood and spring are not in perfect working order.** Damaged parts, sticky deposits or accumulations of chips will result in the bottom guard hood working with a delay.
- c) **Open the bottom safety hood by hand only for special cuts, such as "immersion and angle cuts". Open the bottom safety hood using the lever and release the lever again as soon as the saw blade has engaged in the workpiece.** The bottom safety hood must operate automatically for all other sawing work.
- d) **Do not place the saw on a workbench or on**

**Helpline No 0844 801 8701 / IRE 189 094 6244**  
**05**

## CAUTION

Read all the safety regulations and instructions.  
Any errors made in following the safety regulations and instructions may result in an electric shock, fire and/or serious injury.

Keep all safety information and instructions in a safe place for future use.



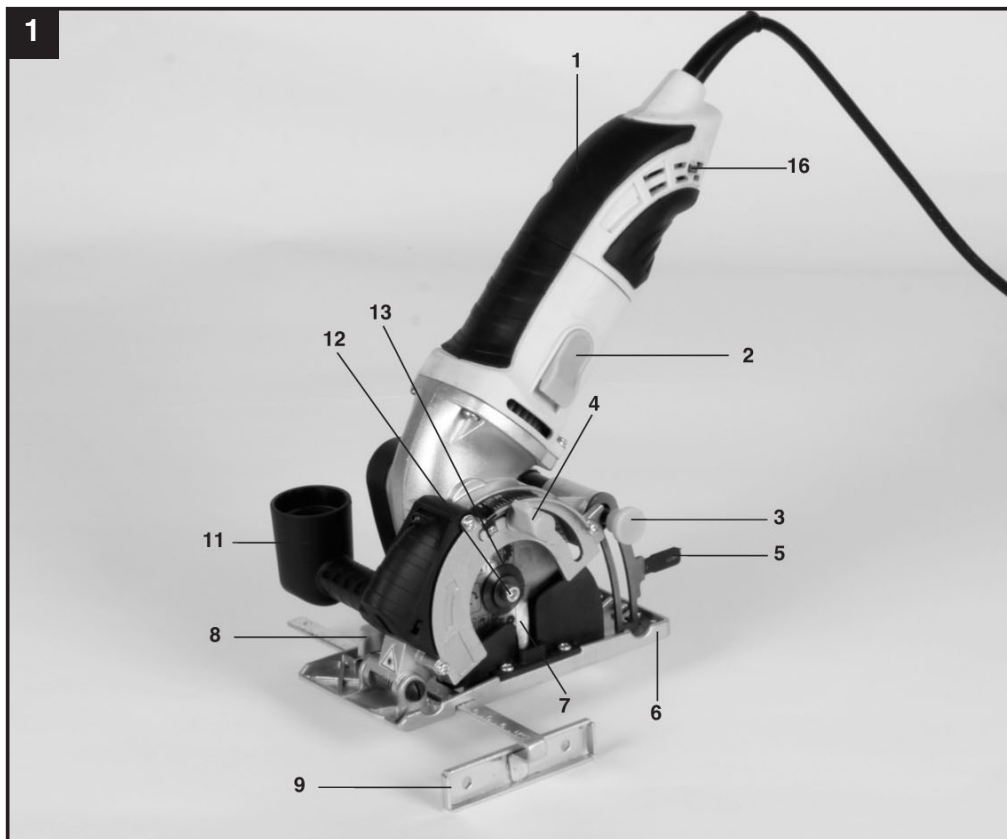
**Important: Laser radiation**  
**Do not look into the beam**  
**Laser class 2**



Protect yourself and your environment from accidents by taking the appropriate precautionary measures.

- Never look directly into the laser path.
- Never direct the laser beam at reflecting surfaces or persons or animals. Even a low output laser beam can inflict injury on the eye.
- Caution: It is vital to follow the work procedures described in these instructions. Using the equipment in any other way may result in hazardous exposure to laser radiation.
- Never open the laser module.

**Helpline No 0844 801 8701 / IRE 189 094 6244**



**2. Layout and items supplied**  
**(Fig. 1/1a - 1d)**

**2.1 Layout**

- 1. Handle
- 2. ON/OFF switch
- 3. Locking button
- 4. Locking screw for cutting depth setting
- 5. Lever for raising the soleplate
- 6. Soleplate
- 7. Saw blade
- 8. Locking screw for parallel stop
- 9. Parallel stop
- 10. Connection for dust extraction system
- 11. Adapter for dust extraction system
- 12. Screw for securing the saw blade

- 13. Flange
- 14. ON/OFF switch for laser
- 15. Laser
- 16. Reset button

**2.2 Supplied package**

- Open the packaging and take out the equipment with care.
- Remove the packaging material and any packaging and/or transportation braces (if available).
- Check to see if all items are supplied.
- Inspect the equipment and accessories for transport damage.
- If possible, please keep the packaging until the end of the guarantee period.

**Helpline No 0844 801 8701 / IRE 189 094 6244**  
**07**

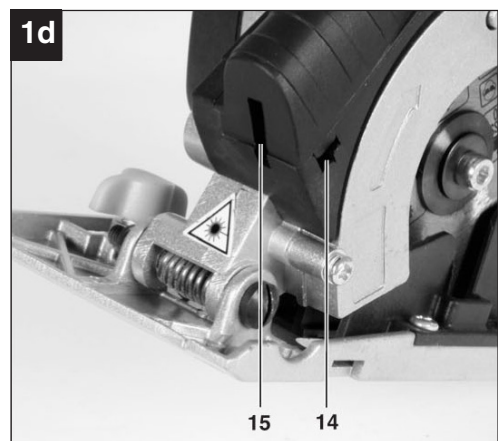
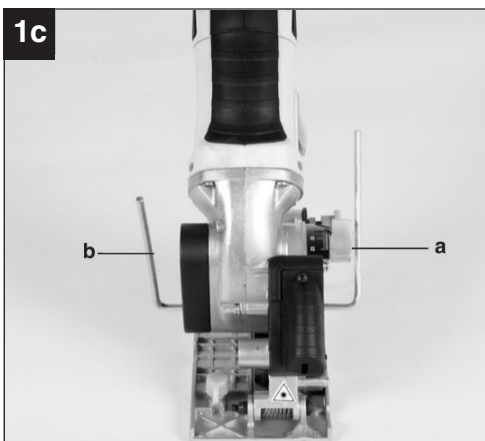
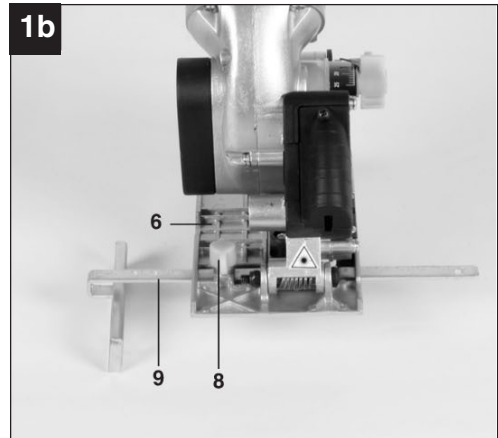
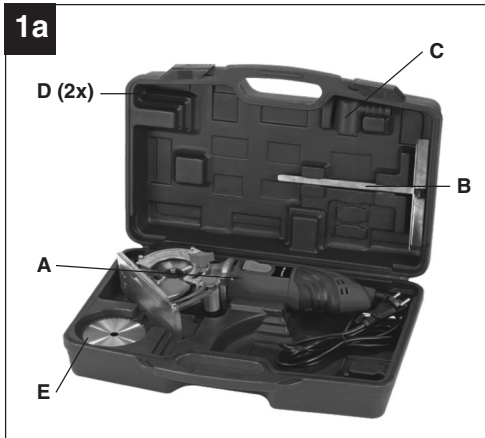


## IMPORTANT

The equipment and packaging material are not toys. Do not let children play with plastic bags, foils or small parts. There is a danger of swallowing or suffocating!

In the carry-case you should find: -

- A Mini Hand-Held Circular Saw, fitted with a Saw blade (20 Teeth)
- B Parallel stop
- C Adapter for dust extraction system
- D Allen key (2x 4mm)
- E Additional Saw blade (80 Teeth)
- F Original operating instructions



Helpline No 0844 801 8701 / IRE 189 094 6244

### 3. Intended use

The mini hand-held circular saw is designed for sawing straight cuts in wood, wood-type materials and plastics.

The equipment is to be used only for its prescribed purpose. Any other use is deemed to be a case of misuse. The user/operator and not the manufacturer will be liable for any damage or injuries of any kind caused as a result of this.

Please note that our equipment has not been designed for use in commercial, trade or industrial applications. Our warranty will be voided if the equipment is used in commercial, trade or industrial businesses or for equivalent purposes.

### 4. Technical data

Mains voltage	230-240 V ~ 50 Hz
Power input:	450 W
Idling speed:	6,000 min <sup>-1</sup>
Cutting depth:	max. 23 mm
Saw blade:	Ø 85 mm
Blade holder:	Ø 10 mm
Protection class:	II/□
Weight:	2.0 kg

### Sound and vibration

Sound and vibration values were measured in accordance with EN 60745.

L <sub>pA</sub> sound pressure level	89.4 dB(A)
K <sub>pA</sub> uncertainty	3 dB
L <sub>WA</sub> sound power level	100.4 dB(A)
K <sub>WA</sub> uncertainty	3 dB

Wear ear-muffs.

The impact of noise can cause damage to hearing.

Total vibration values (vector sum of three directions) determined in accordance with EN 60745.

#### Handle

Vibration emission value  $a_{h=}$  2.085 m/s<sup>2</sup>

K uncertainty = 1.5 m/s<sup>2</sup>

### Additional information for electric power tools

#### Warning!

The specified vibration value was established in accordance with a standardized testing method. It may change according to how the electric equipment is used and may exceed the specified value in exceptional circumstances.

The specified vibration value can be used to compare the equipment with another electric power tool.

The specified vibration value can be used for initial assessment of a harmful effect.

#### Reduce noise generation and vibration to a minimum!

- Use only equipment that is in perfect condition.
- Maintain and clean the equipment regularly.
- Adopt your way of working to the equipment.
- Do not overload the equipment.
- Have the equipment checked if necessary.
- Switch off the equipment when not in use.
- Wear gloves.

**Hold the equipment by the insulated handles when carrying out work during which the plug-in tool could strike concealed power cables or its own mains lead.** Contact with a live cable may also make the metal parts of the equipment live and cause an electric shock.

#### Residual risks

**Even if you use this electric power tool in accordance with instructions, certain residual risks cannot be eliminated. The following hazards may arise in connection with the equipment's construction and layout:**

1. Lung damage if no suitable protective dust mask is applied.
2. Damage to hearing if no suitable ear protection is applied.
3. Health damage caused by hand-arm vibrations if the equipment is used over a longer period or is not properly guided and maintained.

### 5. Before starting the equipment

Before you connect the equipment to the power supply, make sure that the supply data on the rating plate is identical to the supply voltage.

Always pull out the power plug before making adjustments to the equipment.

**Helpline No 0844 801 8701 / IRE 189 094 6244  
09**

### 5.1 Setting the cutting depth (Figure 2)

- Undo the locking screw for setting the cutting depth (4).
- Set the cutting depth in accordance with the scale (a).
- When cutting wood or plastic the selected cutting depth should be a little larger than the material thickness.
- To prevent damage to underlying surfaces, the cutting depth can be set exactly to the thickness of the material. However, this will result in a slightly unclean cut.

### 5.2 Extraction of dust and chips (Figure 3)

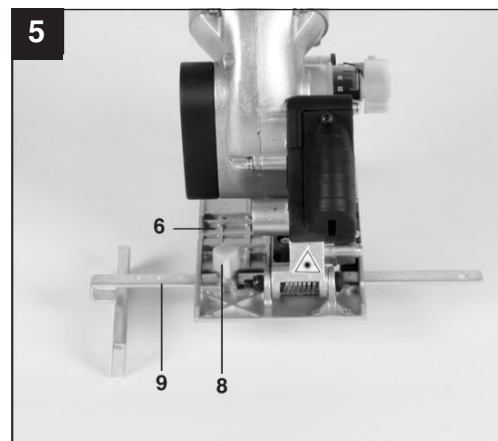
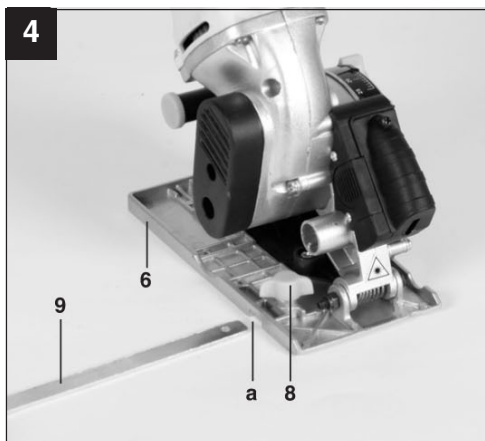
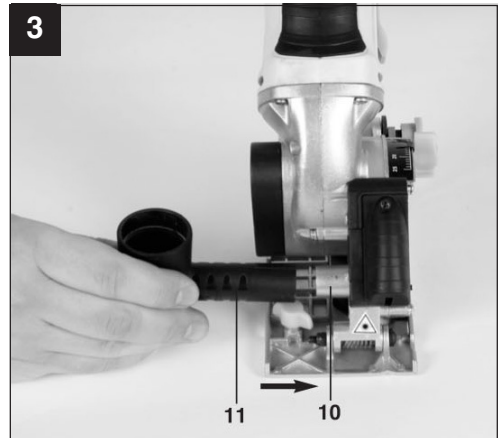
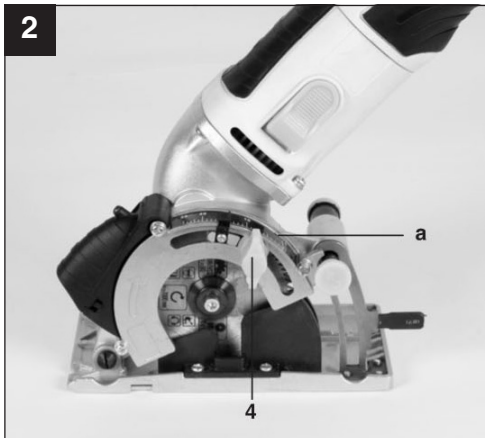
Connect your tool to an extraction unit or vacuum cleaner. This will provide excellent extraction of chips and dust from the workpiece.

The benefits are that you will protect both the equipment and your own health. Your work area will also be clean and safe.

- Attach the adapter for the dust extraction system (11) to the connection for the dust extraction system (10).
- You can then connect a suitable vacuum cleaner (not supplied) to the dust extraction system adapter (11).

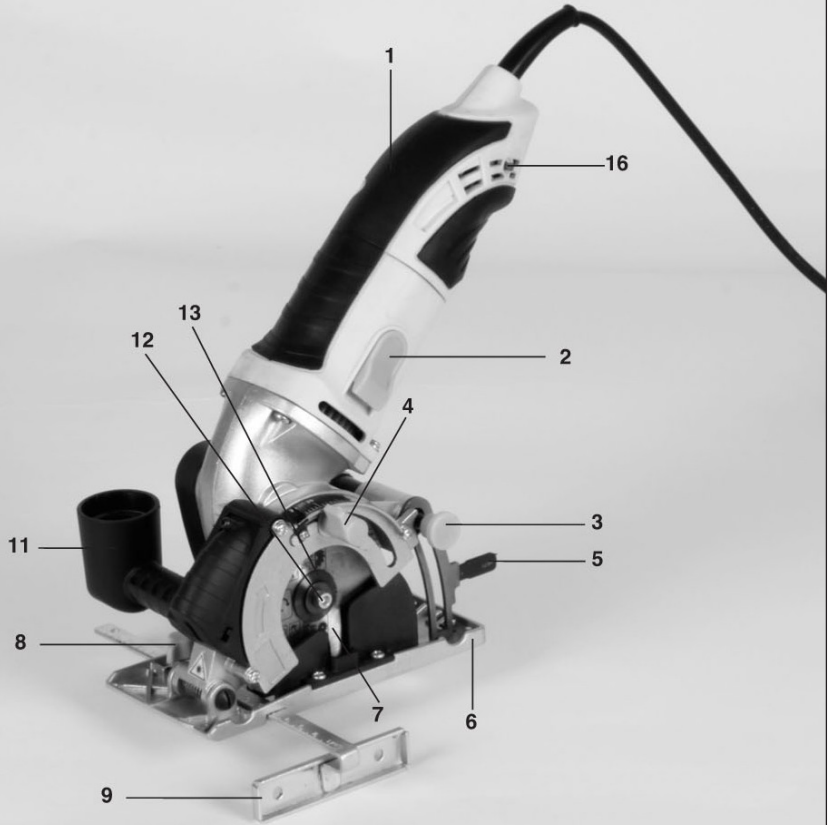
### 5.3 Parallel stop (Figure 4/5)

- The parallel stop (9) enables you to saw parallel lines.
- Loosen the locking screw for the parallel stop (8) on the saw foot (6).
- To assemble, slide the parallel stop (9) into the guide (a) on the saw foot (6) (see Figure 4).
- Set the required spacing and then tighten the locking screw (8) again.
- Using the parallel stop: Position the parallel stop (9) flat on the edge of the workpiece and start the cut.

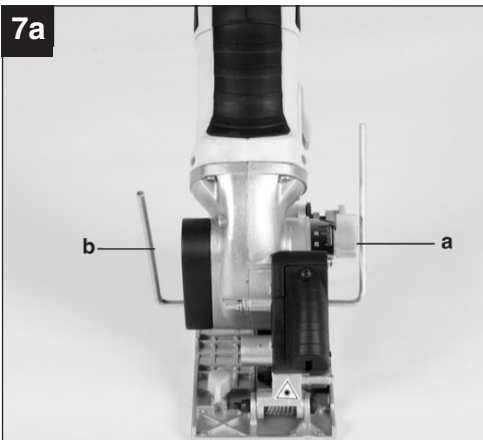


Helpline No 0844 801 8701 / IRE 189 094 6244

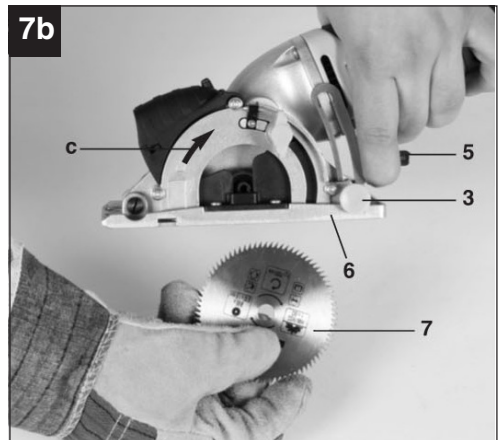
6



7a



7b



Helpline No 0844 801 8701 / IRE 189 094 6244  
11

## 6. Operation (Fig. 6)

### 6.1 Working with the mini hand-held circular saw

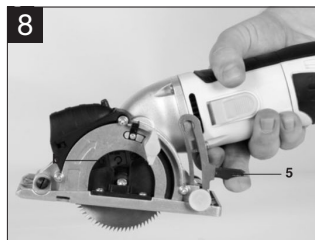
- Always hold the mini hand-held circular saw firmly.
- Do not use force!  
Push forwards gently and evenly with the mini hand-held circular saw.
- The waste piece should be on the left-hand side of the mini hand-held circular saw so that the wide section of the support bench supports its full area.
- If you are sawing down a line that has been drawn, guide the mini hand-held circular saw along the corresponding notch.
- Clamp small pieces of wood securely before sawing them. Never hold them with your hand.
- Always follow the safety instructions. Wear safety goggles.
- Do not use defective saw blades or blades that are cracked or broken.
- Do not use any flanges / flange nuts whose bore hole is larger or smaller than those in the saw blade.
- The saw blade must not be decelerated by hand or by applying lateral pressure to the blade.
- The soleplate must not jam and must return to its initial position after the operation has been completed.
- Before you use the mini hand-held circular saw, check the function of the soleplate with the mains plug disconnected.
- Before you use the machine, ensure that the safety equipment such as the soleplate, flanges and adjustment devices are in working order and are correctly adjusted and secure.
- You can connect a suitable dust extraction system to the dust extraction adapter (11). Ensure that the dust extraction system is safely and correctly connected.

**⚠ Important. Always pull out the power plug before doing any work on the circular saw!**

### 6.2 Using the mini hand-held circular saw (Fig. 6)

- Select a suitable blade for the material you wish to saw.
- Check the condition and sharpness of the blade.
- Set the cutting depth.
- Pick up the tool and make sure that no air vents are covered.
- Switch on the tool and wait for a few seconds for the blade to reach operating speed.
- Press the locking button (3) and, applying a little pressure, slowly lower the tool into the workpiece.

- Push the saw forwards through the workpiece. Never cut backwards!
- Exert only a little pressure on the tool when cutting.
- The base plate must always lie flat on the workpiece.
- Before you start your sawing work on the workpiece, you can raise the soleplate (6) with the lever (5) as shown in Fig. 8. Starting the sawing work is then easier when you want to begin at the edge of a workpiece.



### 6.3 Switching ON/OFF (Fig. 6)

To switch on: Slide the ON/OFF switch (2) forwards and hold.

To switch off: Release the ON/OFF switch (2)

**⚠ Important. Carry out a trial cut in a piece of waste wood**

### 6.4 Changing the saw blade (Fig. 6-7b)

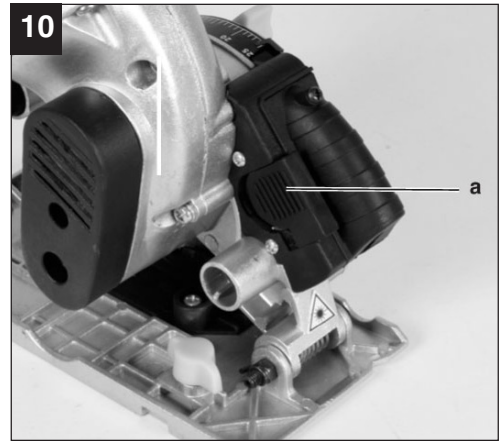
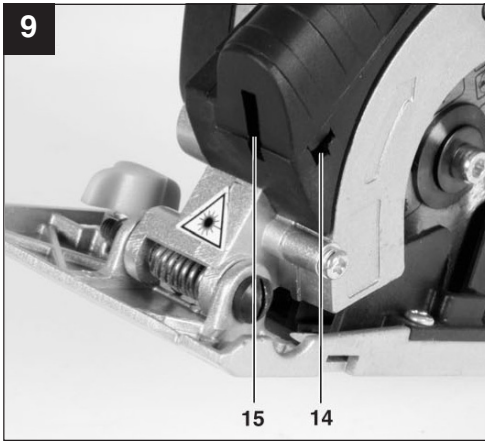
**⚠ Important. Always pull out the power plug before doing any work on the circular saw!**

Only use saw blades of the same type as the saw blade supplied with this circular saw. Ask your dealer for advice.

**Important.** The mini hand-held circular saw must not be operated with the Allen keys inserted in it.

- Undo the screw for securing the saw blade (12) by turning it in clockwise direction with the Allen key (a) while at the same time holding on the opposite side with the Allen key (b).
- Press the locking button (3) and use the lever (5) to raise the adjustable soleplate (6) and hold.
- Remove the saw blade (7) in a downwards direction.
- Clean the flange and insert the new saw blade. Pay attention to the running direction (see arrow on the housing (c) and saw blade).
- Tighten the screw to secure the saw blade (12), check it runs true.
- Before you press the On/Off switch, make sure that the saw blade is correctly fitted and that moving parts run smoothly and the clamping screws are tightened securely.

**Helpline No 0844 801 8701 / IRE 189 094 6244**

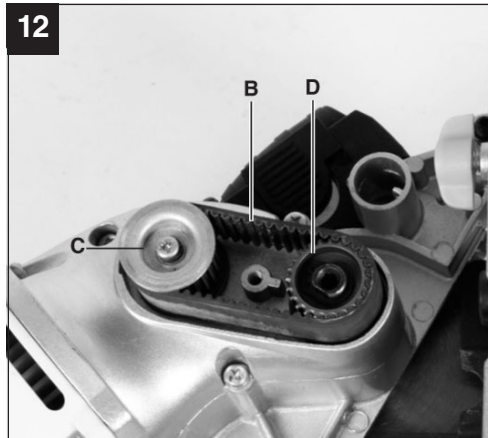
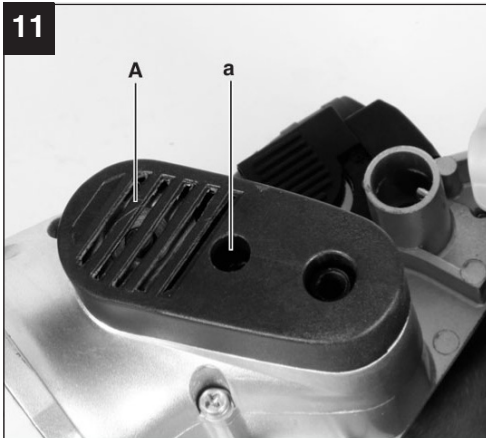


### 6.5 Using the laser (Fig. 9-10)

- The laser (15) enables you to make precision cuts with your circular saw.
- The laser light is generated by a laser diode. The laser light is enlarged to form a line and is emitted through the laser emission aperture. You can then use the line as an optical marker for the sawing line for precision cuts. Follow the laser safety instructions.
- You can switch the laser ON and OFF with the ON/OFFswitch (14).
- The laser beam may be affected by deposits of dust and chips. The emission aperture of the laser beam must therefore be cleaned after each use.
- Always switch off the laser when not in use.

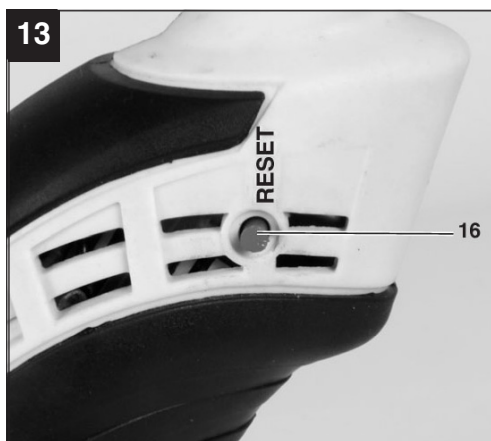
### Replacing the battery

Ensure that the laser is switched off. Remove the battery compartment cover (a). Remove the flat battery and replace with a new one (button cell CR2032). Check that the battery terminals are positioned correctly when inserting the new batteries. Close the battery compartment again.



### 6.6 Replacing the drive belt (Fig. 11-12)

- The drive belt (B) must be replaced if it is worn.
- Undo the screw (a) and remove side belt cover (A).
- Remove the worn drive belt (B) and clean the two belt pulleys (C/D).
- Place the new drive belt on the belt pulley (C) and pull the belt onto the belt pulley (D) whilst turning the shaft.
- Make sure that the drive belt is properly seated on the belt pulleys.
- Fit the belt cover (A) and secure it with the screw (a).



### 6.7 Reset button (Fig. 13)

In case of overloading, e.g. due to the saw blade becoming jammed, the equipment will shut down automatically. To restart, you must first press the reset button (16). The equipment can then be operated as normal.



## 7. Replacing the power cable

If the power cable for this equipment is damaged, it must be replaced by the manufacturer or its after-sales service or similarly trained personnel to avoid danger.

## 8. Cleaning, maintenance and ordering of spare parts

Always pull out the power plug before starting any cleaning work.

### 8.1 Cleaning

- Keep all safety devices, air vents and the motor housing free of dirt and dust as far as possible. Wipe the equipment with a clean cloth or blow it down with compressed air at low pressure.
- We recommend that you clean the equipment immediately after you use it.
- Clean the equipment regularly with a damp cloth and some soft soap. Do not use cleaning agents or solvents; these may be aggressive to the plastic parts in the equipment. Ensure that no water can get into the interior of the equipment.

### 8.2 Carbon brushes

In case of excessive sparking, have the carbon brushes checked only by a qualified electrician. Important. The carbon brushes should not be replaced by anyone but a qualified electrician.

### 8.3 Servicing

There are no parts inside the equipment which require additional maintenance.

### 8.4 Ordering replacement parts:

Please provide the following information on all orders for spare parts:

- Model/type of the equipment CX-CS 860L
- Article number of the equipment 43.309.59
- ID number of the equipment 11022
- Spare part number of the required spare part

For our latest prices and information please go to [www.einhell.co.uk](http://www.einhell.co.uk)

## 9. Disposal and recycling

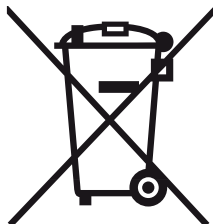
The equipment is supplied in packaging to prevent it from being damaged in transit. The raw materials in this packaging can be reused or recycled. The equipment and its accessories are made of various types of material, such as metal and plastic. Defective components must be disposed of as special waste. Ask your dealer or your local council.

## 10. Storage

Store the equipment and accessories out of children's reach in a dark and dry place at above freezing temperature. The ideal storage temperature is between 5 and 30 °C. Store the electric tool in its original packaging.







Never place any electric tools in your household refuse.

To comply with European Directive 2002/96/EC concerning old electric and electronic equipment and its implementation in national laws, old electric tools have to be separated from other waste and disposed of in an environment-friendly fashion, e.g. by taking to a recycling depot.

Recycling alternative to the demand to return electrical devices:

As an alternative to returning the electrical device, the owner is obliged to cooperate in ensuring that the device is properly recycled if ownership is relinquished. This can also be done by handing over the used device to a returns center, which will dispose of it in accordance with national commercial and industrial waste management legislation. This does not apply to the accessories and auxiliary equipment without any electrical components which are included with the used device.

**Helpline No 0844 801 8701 / IRE 189 094 6244**



### Declaration of Conformity

- erklart folgende Konformitat gema EU-Richtlinie und Normen fur Artikel  
 explains the following conformity according to EU directives and norms for the following product  
 dclare la conformit suivante selon la directive CE et les normes concernant l'article  
 dichiara la seguente conformit secondo la direttiva UE e le norme per l'articolo  
 verklaart de volgende overeenstemming conform EU standarder fur artikelen  
 declara la siguiente conformidad a tenor de la directiva y normas de la UE para el artculo  
 declara a seguinte conformidade, de acordo com a directiva CE e normas para o artigo  
 attesterer folgende verensstmmelse i medfor af EU-direktiv samt standarder for artikel  
 forklarar foljande verensstmmelse enl. EU-direktiv och standarder for artikeln  
 vakuuttaa, ett tuote tytta EU-direktiivin ja standardien vaatimukset  
 tendab toote vastavust EL direktiivile ja standarditele  
 vydav nsledujci prohl eni o shod podle smrnice EU a norem pro v robek  
 potvrjuje sledeo skladnost s smernico EU in standardi za izdelek  
 vydava nasledujce prehlasenie o zhode podl'a smernice EU a norem pre v robok  
 a cikkekhez az EU-irnyvonal s Normk szerint a kvetkez konformitst jelenti ki  
 deklaruje zgodnost wymienionego poniej artykuu z nastpujcymi normami na podstawie dyrektywy WE.  
 декларира съответното съответствие съгласно Директива на ЕС и норми за артикул  
 paskaidro du atbilstību ES direktīvai un standartiem  
 apibdina j atitikim EU reikalavimams ir preks normoms  
 declar urmtoarea conformitate conform directivei UE i normelor pentru articolul  
 dhlwnei tyn aklouθη συμμρφωση sμφωνα με την Οδηγία EK και τα πρτοτυπα για το προϊόν  
 potvruje sljedeu uskladenost prema smjernicama EU i normama za artikl  
 potvruje sljedeu uskladenost prema smjernicama EU i normama za artikl  
 potvruje sledeu uskladenost prema smernicama EZ i normama za artikal  
 слeдующим удoстoверяется, что слeдующие продукты соответствуют директивам и нормам ЕС  
 проголошує про зазначену нижче вiдповiднiсть виробу директивам та стандартам ЄС на вирiб ja изјавува слeдната соoбрзност соoгласно EU-директивата и нормите за артикли  
 rnn ile ilgili AB direktifleri ve normlari gereince aajda aıklanan uygunluu belirtir  
 erklerer folgende samsvar i henhold til EU-direktivet og standarder for artikkel  
 L sir uppfyllingur EU-reglna og annarra sta la voru

### Mini Circular Saw CXCS 860 L (Challenge Xtreme)

- |   |   |
|---|---|
| <input type="checkbox"/> 87/404/EC_2009/105/EC  | <input checked="" type="checkbox"/> 2006/42/EC  |
| <input type="checkbox"/> 2005/32/EC_2009/125/EC | <input type="checkbox"/> Annex IV<br>Notified Body:<br>Notified Body No.:<br>Reg. No.:                |
| <input type="checkbox"/> 2006/95/EC             |   |
| <input type="checkbox"/> 2006/28/EC             |   |
| <input checked="" type="checkbox"/> 2004/108/EC | <input type="checkbox"/> 2000/14/EC_2005/88/EC  |
| <input type="checkbox"/> 2004/22/EC             | <input type="checkbox"/> Annex V  |
| <input type="checkbox"/> 1999/5/EC              | <input type="checkbox"/> Annex VI   |
| <input type="checkbox"/> 97/23/EC               | Noise: measured $l_{WA}$ = dB (A); guaranteed $l_{WA}$ = dB (A)<br>P = KW; L/Ø = cm<br>Notified Body: |
| <input type="checkbox"/> 90/396/EC_2009/142/EC  |   |
| <input type="checkbox"/> 89/686/EC_96/58/EC     | <input type="checkbox"/> 2004/26/EC<br>Emission No.:  |
| <input checked="" type="checkbox"/> 2011/65/EC  |   |

Standard references: EN 60745-1; EN 60745-2-5; EN 55014-1;  
EN 55014-2; EN 61000-3-2; EN 61000-3-3; EN 60825-1

Landau/Isar, den 13.03.2012

Weichselgartner/General-Manager

Unger/Product-Management

First CE: 10  
Art.-No.: 43.309.59 I.-No.: 11022  
Subject to change without notice

Archive-File/Record: NAPR005960  
Documents registrar: Georg Riedel  
Wiesenweg 22, D-94405 Landau/Isar

# *challenge* **xtreme**

## **GUARANTEE CERTIFICATE**

Dear Customer,

In the unlikely event that your device develops a fault, please contact our Customer service department on the telephone number shown below.

1. These guarantee terms cover additional guarantee rights and do not affect your statutory warranty rights. Claims must be accompanied by Proof of Purchase. This must be in the form of a Sales receipt or Bank statement and must show that the product has been purchased within 2 years prior to the claim from the retailer that it was originally sold to.

2. Our guarantee covers problems caused by material or manufacturing defects, and will result in the repair of these defects or replacement of the device with a like for like or similar article. Please note that our devices have not been designed for use in commercial, trade or industrial applications. Consequently, the guarantee is invalidated if the equipment is used in commercial, trade or industrial applications or for other equivalent activities.

3. The following are also excluded from our guarantee:

- A) Faults due to accidents, customer misuse, or unauthorized repairs
- B) Consumable Parts such as Blades/Chains/Trimmer lines/Spools/Vacuum bags/Spark plugs or Filters
- C) Failure due to lack of routine maintenance
- D) Failure as a result of not using the equipment in accordance with the manual and safety instructions
- E) The adjustment or lubrication cables, drive belts, or recoil starters

4. The guarantee is valid for a period of 2 years starting from the purchase date of the device. Guarantee claims should be submitted before the end of the guarantee period within two weeks of the defect being noticed. No guarantee claims will be accepted after the end of the guarantee period. The original guarantee period remains applicable to the device even if repairs are carried out or parts are replaced. In such cases, the work performed or parts fitted will not result in an extension of the guarantee period, and no new guarantee will become active for the work performed or parts fitted. This also applies when an on-site Service is used.

5. Please keep your sales receipt in a safe place. If the defect is covered by our guarantee your device will either be repaired under the terms of guarantee or we will send you a replacement device. This device may be re-conditioned or Like for like replacement.

**EINHELL UK LTD HELPLINE: + 44 151 649 1500**  
**REP. IRELAND HELPLINE: 1890 946244**

**HOME RETAIL GROUP**  
**489-499 AVEBURY BOULEVARD, SAXON GATE WEST, CENTRAL MILTON KEYNES, MK9 2NW**

# **Helpline No 0844 801 8701 / IRE 189 094 6244**

The reprinting or reproduction by any other means, in whole or in part,  
of documentation and papers accompanying products is permitted only  
with the express consent of ISC GmbH.

Technical changes subject to change

**Helpline No**  
**0844 801 8701 / IRE 189 094 6244**