

GB Operating Instructions
Right-angle Grinder

Einhell[®]
bavaria



Art.-Nr.: 44.303.52

I.-Nr.: 01027



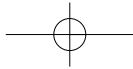
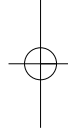
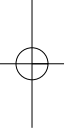
BWS **115/850-3**

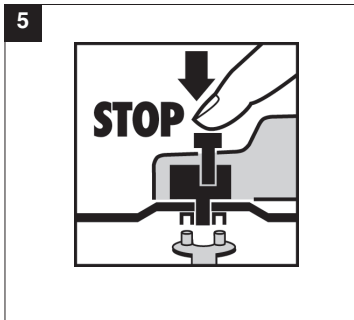
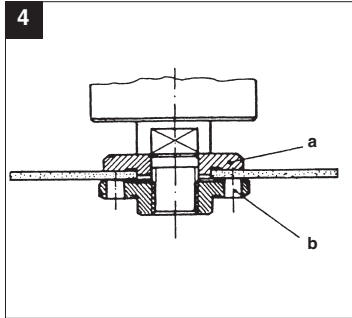
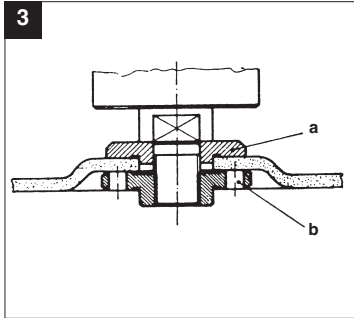
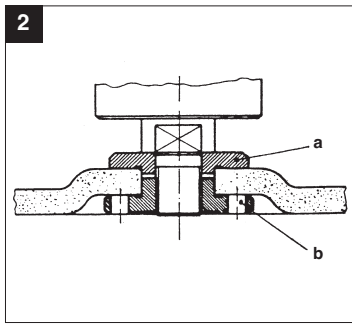
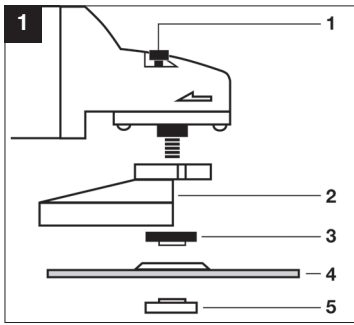


Ⓢ Note the instructions for use!



Ⓢ Wear safety goggles!





GB

⚠ Important!

When using equipment, a few safety precautions must be observed to avoid injuries and damage. Please read the complete operating manual with due care. Keep this manual in a safe place, so that the information is available at all times. If you give the equipment to any other person, give them these operating instructions as well.

We accept no liability for damage or accidents which arise due to non-observance of these instructions and the safety information.

Safety regulations

The corresponding safety information can be found in the enclosed booklet.

Operating instructions for right-angle grinders**Fig. 1**

- 1 Spindle catch
- 2 Guard
- 3 Clamping flange
- 4 Grinding wheel
- 5 Flange nut

Flange arrangements when using grinding wheels and cutting wheels (Fig. 2-4)

- Flange arrangement when using a depressed-centre or straight grinding wheel (Fig. 2)
 - a Clamping flange
 - b Flange nut
- Flange arrangement when using a depressed-centre cutting wheel (Fig. 3)
 - a Clamping flange
 - b Flange nut
- Flange arrangement when using a straight cutting wheel (Fig. 4)
 - a Clamping flange
 - b Flange nut

PROPER USE

The angle grinder is designed for the cutting and rough grinding of metal and masonry using the appropriate cutting disk or rough grinding disk.

Please note that our equipment has not been

designed for use in commercial, trade or industrial applications. Our warranty will be voided if the machine is used in commercial, trade or industrial businesses or for equivalent purposes.

VOLTAGE

Before you use the machine for the first time, check that the voltage marked on the rating plate is the same as your mains voltage. Under no circumstances is the mains voltage to differ from the rated voltage by more than 10%.

SWITCH

To help prevent accidents, the right-angle grinder is equipped with a safety switch. To turn on the machine, push the switch forward and push down until it latches in place. To turn the right-angle grinder off, push the switch down. It will then jump back to its original position.

REPLACING THE GRINDING WHEEL (Fig. 5)**Pull out the power plug.**

Simple wheel change by spindle lock: Press the spindle lock and allow the grinding wheel to latch in place. Open the flange nut with the face spanner. Change the grinding or cutting wheel and tighten the flange nut with the face spanner.

Important!

Only ever press the spindle lock when the motor and grinding spindle are at a standstill!
You must keep the spindle lock pressed while you change the wheel!

For grinding or cutting wheels up to approx. 3 mm thick, screw on the flange nut with the flat side facing the grinding or cutting wheel.

TEST RUN FOR NEW GRINDING WHEELS

Allow the right-angle grinder to run in idle for at least 1 minute with the grinding or cutting wheel fitted in place. Vibrating wheels are to be replaced immediately.

MOTOR

It is vital for the motor to be well ventilated during operation. Be sure, therefore, to keep the ventilation holes clean at all times.

GRINDING WHEELS

Never use a grinding or cutting wheel bigger than the specified diameter.

Before using a grinding or cutting wheel, check its rated speed. The wheel's rated speed must be

higher than the idle speed of the right-angle grinder.

Use only grinding and cutting wheels that are approved for a minimum speed of 11,000 rpm and a peripheral speed of 80 m/sec.

OPERATING MODES

Rough grinding:

For the best rough grinding results, hold the grinding wheel at an angle of between 30° and 40° to the workpiece surface and guide back and forth over the workpiece in steady movements.


Cutting:

When you use the right-angle grinder for cutting purposes, avoid tilting it in the cutting plane. The cutting wheel must have a clean cutting edge. A diamond cutting wheel is best used to cut hard stone.

It is prohibited to use the machine on asbestos materials!

⚠ **Never use a cutting wheel for rough grinding.**

TECHNICAL DATA

| | |
|---------------------------------|----------------------------------------------------------------------------------------|
| Nominal voltage: | 230 V ~ 50 Hz |
| Power consumption: | 850 W |
| Idle speed: | 11.000 rpm |
| Max. wheel diameter: | 115 mm |
| Drive spindle thread: | M 14 |
| Sound pressure level L_{pA} : | 86,6 dB |
| Sound power level L_{WA} : | 99,6 dB |
| Vibration a_{hv} : | 5,53 m/s ² |
| Weight | 1,8 kg |
| Totally insulated | II /  |

Cleaning, maintenance and ordering of spare parts

Always pull out the mains power plug before starting any cleaning work.

Cleaning

- Keep all safety devices, air vents and the motor housing free of dirt and dust as far as possible.

Wipe the equipment with a clean cloth or blow it with compressed air at low pressure.

- We recommend that you clean the device immediately each time you have finished using it.
- Clean the equipment regularly with a moist cloth and some soft soap. Do not use cleaning agents or solvents; these could attack the plastic parts of the equipment. Ensure that no water can seep into the device.

Carbon brushes

- In case of excessive sparking, have the carbon brushes checked only by a qualified electrician. Important! The carbon brushes should not be replaced by anyone but a qualified electrician.

Maintenance

- There are no parts inside the equipment which require additional maintenance.

Ordering replacement parts

Please quote the following data when ordering replacement parts:

- Type of machine
- Article number of the machine
- Identification number of the machine
- Replacement part number of the part required

For our latest prices and information please go to www.isc-gmbh.info

Disposal and recycling

The unit is supplied in packaging to prevent its being damaged in transit. This packaging is raw material and can therefore be reused or can be returned to the raw material system.

The unit and its accessories are made of various types of material, such as metal and plastic. Defective components must be disposed of as special waste. Ask your dealer or your local council.



Konformitätserklärung

ISC-GmbH · Eschenstraße 6 · D-94405 Landau/Isar

- | | |
|---------------------------------------------------------------------------------------------------------------------------------------------------------------------------------------------------------------------------------------------------------------------------------------------------------------------------------------------------------------------------------------------------------------------------------------------------------------------------------------------------------------------------------------------------------------------------------------------------------------------------------------------------------------------------------------------------------------------------------------------------------------------------------------------------------------------------------------------------------------------------------------------------------------------------------------------------------------------------------------------------------------------------------------------------------------------------------------------------------------------------------------------------------------------------------------------------------------------------------------------------------------------------------------------------------------------------------------------------------------------------------------------|-----------------------------------------------------------------------------------------------------------------------------------------------------------------------------------------------------------------------------------------------------------------------------------------------------------------------------------------------------------------------------------------------------------------------------------------------------------------------------------------------------------------------------------------------------------------------------------------------------------------------------------------------------------------------------------------------------------------------------------------------------------------------------------------------------------------------------------------------------------------------------------------------------------------------------------------------------------------------------------------------------------------------------------------------------------------------------------------------------------------------------------------------------------------------------------------------------------------------------------------------------------------------------------------------------------------------------------------------------------------------------------------------------|
| <ul style="list-style-type: none"> ☉ erklärt folgende Konformität gemäß EU-Richtlinie und Normen für Artikel ☉ declares conformity with the EU Directive and standards marked below for the article ☉ déclare la conformité suivante selon la directive CE et les normes concernant l'article ☉ verklaart de volgende conformiteit in overeenstemming met de EU-richtlijn en normen voor het artikel ☉ declara la siguiente conformidad a tenor de la directiva y normas de la UE para el artículo ☉ com a directiva CE e normas para o artigo ☉ förklarar följande överensstämmelse enl. EU-direktiv och standarder för artikeln ☉ ilmoittaa seuraavaa Euroopan unionin direktiivien ja normien mukaista yhdenmukaisuutta tuotteelle ☉ erklærer herved følgende samsvar med EU-direktiv og standarder for artikkel ☉ заявляю о соответствии товара следующим директивам и нормам ЕС ☉ izjavljuje sljedeću uskladenost s odredbama i normama EU za artikl. ☉ declară următoarea conformitate cu linia directoare CE și normele valabile pentru articolul. ☉ ürün ile ilgili olarak AB Yönetmelikleri ve Normları gereğince aşağıdaki uygunluk açikla masını sunar. ☉ δηλώνει την εκκλούθη σύμφωνα σύμφωνα με την Οδηγία ΕΕ και τα πρότυπα για το προϊόν | <ul style="list-style-type: none"> ☉ dichiara la seguente conformità secondo la direttiva UE e le norme per l'articolo ☉ atestierer følgende overensstemmelse i henhold til EU-direktiv og standarder for produkt ☉ prohlašuje následující shodu podle směrnice EU a norem pro výrobek. ☉ a következő konformitást jelenti ki a termékerek vonatkozó EU-irányvonalak és normák szerint ☉ pojasnjuje sledečo skladnost po smernici EU in normah za artikel. ☉ deklaruje zgodność wymienionego poniżej artykułu z następującymi normami na podstawie dyrektywy WE. ☉ vydáva nasledujúce prehlásenie o zhode podľa smernice EU a noriem pre výrobok. ☉ декларира следното съответствие съгласно директивите и нормите на ЕС за продукта. ☉ заявляє про відповідність згідно з Директивою ЄС та стандартами, чинними для даного товару ☉ deklareerib vastavuse järgnevalele EL direktiivi dele ja normidele ☉ deklaruoja atitikti pagal ES direktyvas ir normas straipsniui ☉ izjavljuje sledeći konformitet u skladu s odredbom EZ i normama za artikl ☉ Atbilstības sertifikāts apliecina zemāk minēto preču atbilstību ES direktīvām un standartiem ☉ Samræmslýfinging staðfestir eftirfarandi samræmi samkvæmt reglum Evrópuþingalagsins og stöðlum fyrir vörur |
|---------------------------------------------------------------------------------------------------------------------------------------------------------------------------------------------------------------------------------------------------------------------------------------------------------------------------------------------------------------------------------------------------------------------------------------------------------------------------------------------------------------------------------------------------------------------------------------------------------------------------------------------------------------------------------------------------------------------------------------------------------------------------------------------------------------------------------------------------------------------------------------------------------------------------------------------------------------------------------------------------------------------------------------------------------------------------------------------------------------------------------------------------------------------------------------------------------------------------------------------------------------------------------------------------------------------------------------------------------------------------------------------|-----------------------------------------------------------------------------------------------------------------------------------------------------------------------------------------------------------------------------------------------------------------------------------------------------------------------------------------------------------------------------------------------------------------------------------------------------------------------------------------------------------------------------------------------------------------------------------------------------------------------------------------------------------------------------------------------------------------------------------------------------------------------------------------------------------------------------------------------------------------------------------------------------------------------------------------------------------------------------------------------------------------------------------------------------------------------------------------------------------------------------------------------------------------------------------------------------------------------------------------------------------------------------------------------------------------------------------------------------------------------------------------------------|

Winkelschleifer BWS 115/850-3

- | | |
|-------------------------------------------------|-------------------------------------------|
| <input checked="" type="checkbox"/> 2006/42/EG | <input type="checkbox"/> 87/404/EWG |
| <input checked="" type="checkbox"/> 2006/95/EG | <input type="checkbox"/> R&TTED 1999/5/EG |
| <input type="checkbox"/> 97/23/EG | <input type="checkbox"/> 2000/14/EG: |
| <input checked="" type="checkbox"/> 2004/108/EG | <input type="checkbox"/> 95/54/EG: |
| <input type="checkbox"/> 90/396/EWG | <input type="checkbox"/> 97/68/EG: |
| <input type="checkbox"/> 89/686/EWG | |

EN 60745-1; EN 50144-1; EN 50144-2-3; EN 55014-1; EN 55014-2; EN 61000-3-2; EN 61000-3-3

Landau/Isar, den 09.07.2007

Wechsungartner
General-Manager

Mayr
Product-Management

Art.-Nr.: 44.303.52 I.-Nr.: 01027 Archivierung: 4430310-31-4155050-07
Subject to change without notice



Ⓢ For EU countries only

Never place any electric tools in your household refuse.

To comply with European Directive 2002/96/EC concerning old electric and electronic equipment and its implementation in national laws, old electric tools have to be separated from other waste and disposed of in an environment-friendly fashion, e.g. by taking to a recycling depot.

Recycling alternative to the demand to return electrical devices:

As an alternative to returning the electrical device, the owner is obliged to cooperate in ensuring that the device is properly recycled if ownership is relinquished. This can also be done by handing over the used device to a returns center, which will dispose of it in accordance with national commercial and industrial waste management legislation. This does not apply to the accessories and auxiliary equipment without any electrical components which are included with the used device.

Einhell UK Ltd
Morpeth Wharf
Twelve Quays
Birkenhead, Wirral
CH41 1NG
Tel. 0151 6491500, Fax 0151 6491501

Ⓢ

The reprinting or reproduction by any other means, in whole or in part, of documentation and papers accompanying products is permitted only with the express consent of ISC GmbH.

Ⓢ Technical changes subject to change

GB GUARANTEE CERTIFICATE

Dear Customer,

All of our products undergo strict quality checks to ensure that they reach you in perfect condition. In the unlikely event that your device develops a fault, please contact our service department at the address shown on this guarantee card. Of course, if you would prefer to call us then we are also happy to offer our assistance under the service number printed below. Please note the following terms under which guarantee claims can be made:

1. These guarantee terms cover additional guarantee rights and do not affect your statutory warranty rights. We do not charge you for this guarantee.
2. Our guarantee only covers problems caused by material or manufacturing defects, and it is restricted to the rectification of these defects or replacement of the device. Please note that our devices have not been designed for use in commercial, trade or industrial applications. Consequently, the guarantee is invalidated if the equipment is used in commercial, trade or industrial applications or for other equivalent activities. The following are also excluded from our guarantee: compensation for transport damage, damage caused by failure to comply with the installation/assembly instructions or damage caused by unprofessional installation, failure to comply with the operating instructions (e.g. connection to the wrong mains voltage or current type), misuse or inappropriate use (such as overloading of the device or use of non-approved tools or accessories), failure to comply with the maintenance and safety regulations, ingress of foreign bodies into the device (e.g. sand, stones or dust), effects of force or external influences (e.g. damage caused by the device being dropped) and normal wear resulting from proper operation of the device.

The guarantee is rendered null and void if any attempt is made to tamper with the device.

3. The guarantee is valid for a period of 2 years starting from the purchase date of the device. Guarantee claims should be submitted before the end of the guarantee period within two weeks of the defect being noticed. No guarantee claims will be accepted after the end of the guarantee period. The original guarantee period remains applicable to the device even if repairs are carried out or parts are replaced. In such cases, the work performed or parts fitted will not result in an extension of the guarantee period, and no new guarantee will become active for the work performed or parts fitted. This also applies when an on-site service is used.
4. In order to assert your guarantee claim, please send your defective device postage-free to the address shown below. Please enclose either the original or a copy of your sales receipt or another dated proof of purchase. Please keep your sales receipt in a safe place, as it is your proof of purchase. It would help us if you could describe the nature of the problem in as much detail as possible. If the defect is covered by our guarantee then your device will either be repaired immediately and returned to you, or we will send you a new device.

Of course, we are also happy offer a chargeable repair service for any defects which are not covered by the scope of this guarantee or for units which are no longer covered. To take advantage of this service, please send the device to our service address.

iSC GmbH • Eschenstraße 6 • 94405 Landau/Isar (Deutschland)

Telefon: +49 [0] 180 5 120 509 • Telefax +49 [0] 180 5 835 830 (Anruferkosten: 0,14 Euro/Minute, Festnetz der T-Com)

E-Mail: info@isc-gmbh.info • Internet: www.isc-gmbh.info

EH 07/2007