

## Electric Hoist SHZ 500-2 Global

Art.-No.: **22.555.20**

Bar code: **4006825531787**

Sales unit: **2 pcs**

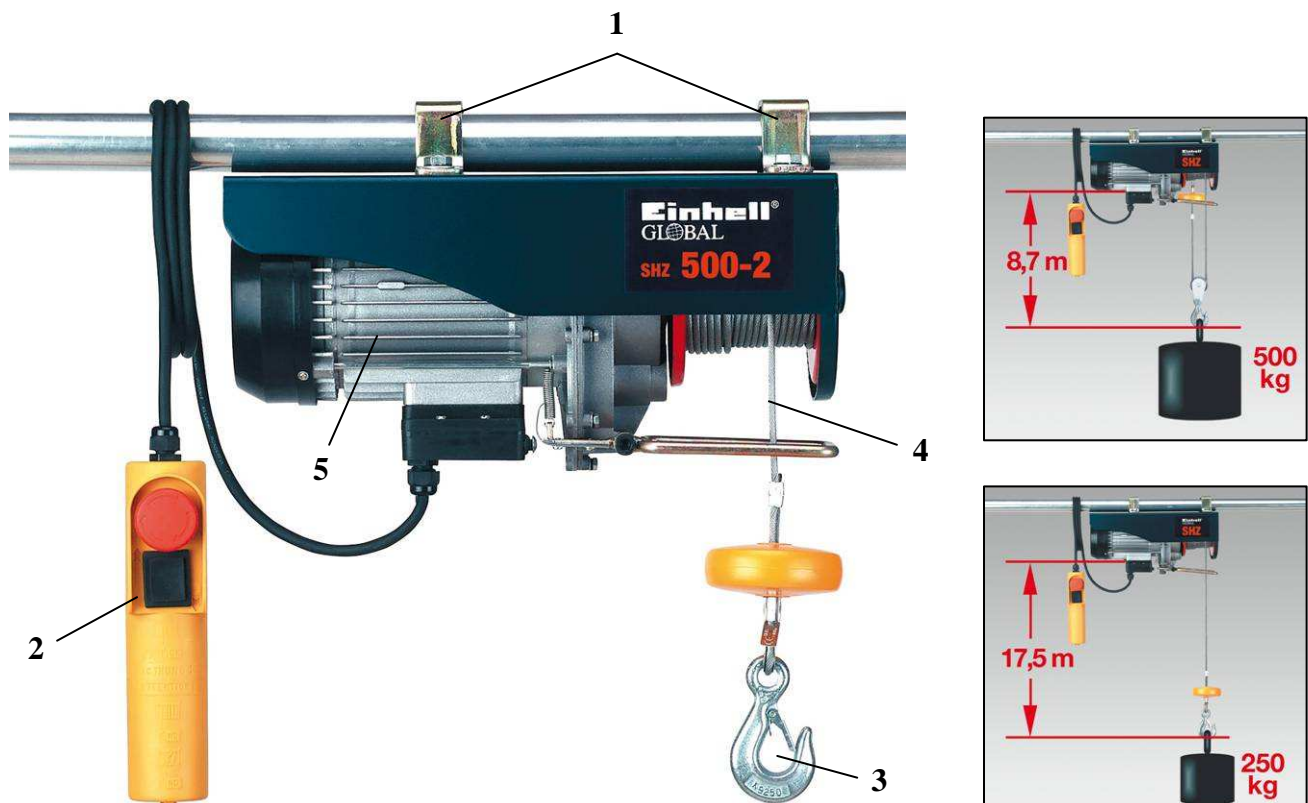
The Electric Hoist SHZ 500-2 convinces with its solid construction and performance power. A forcibly actuated end switch ensures that the Electric Hoist will safely be cut-off at the upper end. The brake will be immediately activated in case of power failure in the motor. Safe holding also is ensured in case of a defect on the pressure spring. The non-rotating steel rope reduces twisting of the load during the lifting motion. The additional safety latch at the payload hook prevents an unintended loosening of the load.

### Features:

- Fastening with 2 double clamps (1)
- Control switch with emergency stop button (2)
- Payload hook (3)
- 18 m non-rotating steel wire rope Ø 4.2 mm (4)
- Motor with thermal circuit breaker (5)
- An automatic brake secures the load in any position

### Technical data:

- Payload: 250 kg without pulley  
500 kg with pulley
- Lifting height: 17.5 m without pulley  
8.7 m with pulley
- Mains: 230 V ~ 50 Hz
- Power: 900 W S3 20 % 10 min.
- Rope speed: without pulley: 10 m/min  
with pulley: 5 m/min
- Weight: 17.4 kg
- Packing dimensions: 400 x 250 x 150 mm



### As special accessory available:

Hoist lever arm  
Global SA 1200

Art.-No.: **22.553.96**  
Bar code: **4006825221244**

Abbildungen können nicht im Serien-Lieferumfang enthaltenes Zubehör darstellen / Illustrations can contain accessories, which are not included in standard extent of delivery.

Abbildungen ähnlich, produktionsbedingte Abweichung vorbehalten / Illustration similar (in design), production-wise modifications reserved  
File: S:\shared-pool\Product-Documentation\T-Produktbeschreibung\30\_n0t\Originale\_Englisch\_PA04\2255520\_01016.doc

Erstelldatum / create date: 27.07.2006 16:58:00

Aktualisiert / up dated: 28.03.2008