



**TP-CD 18/80 Li-i BL**

---

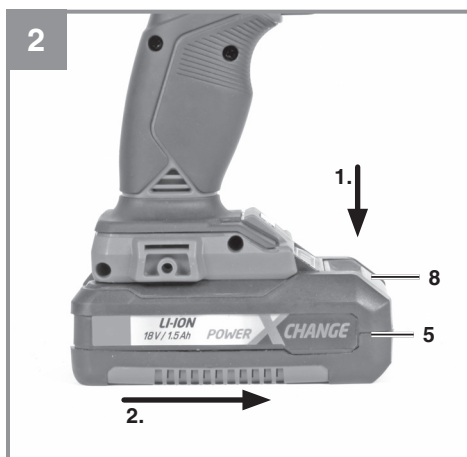
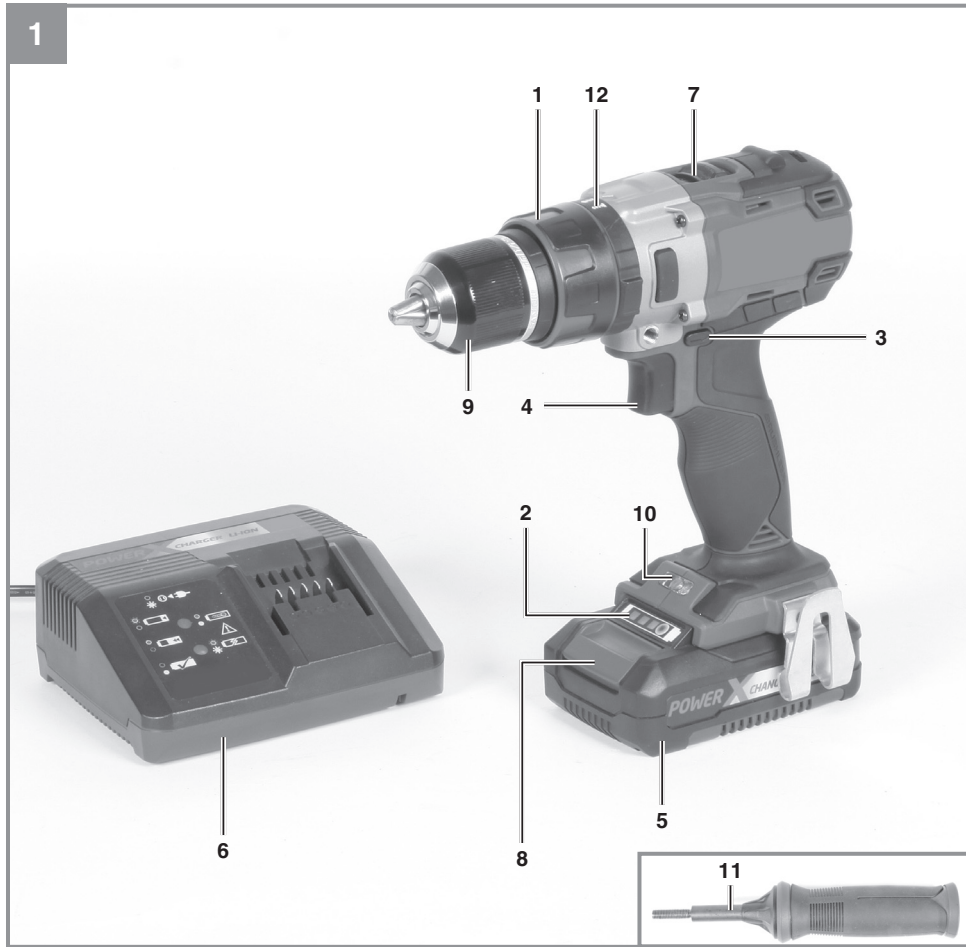
**GB Original operating instructions  
Cordless Hammer Drill/Screwdriver**

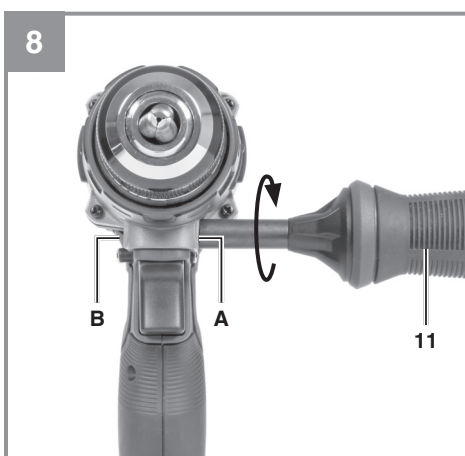
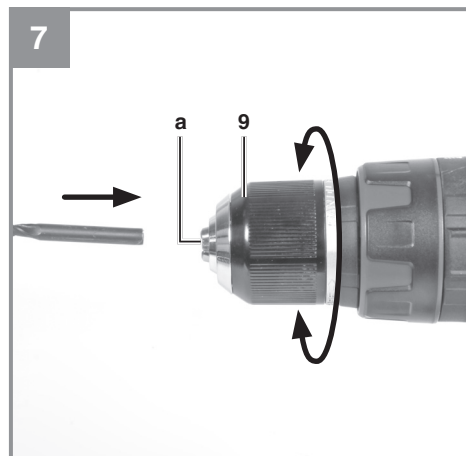
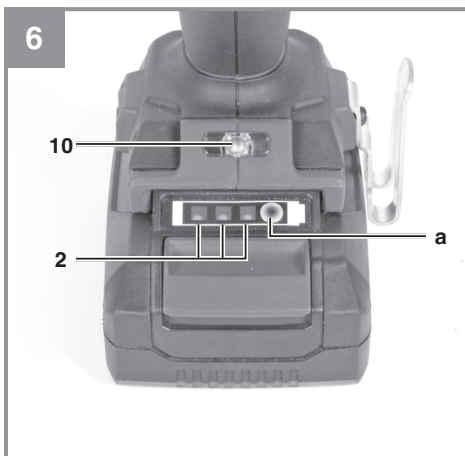
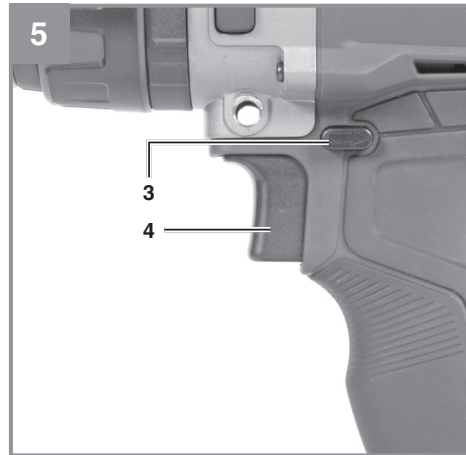
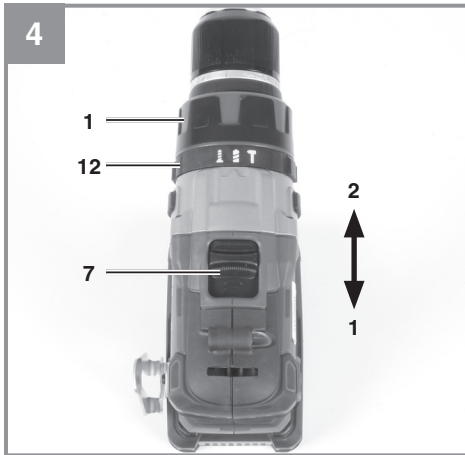


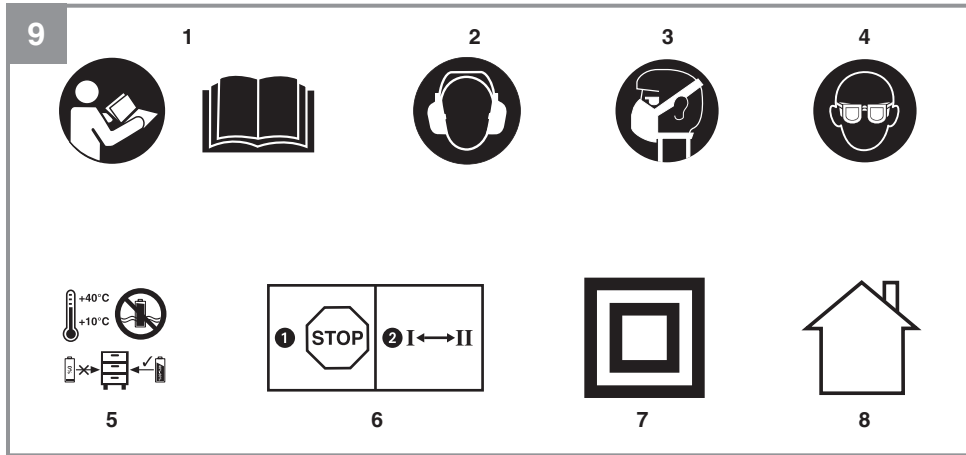
---

**Art.-Nr.: 42.572.43**

**I.-Nr.: 21013**







**Danger!**

When using the equipment, a few safety precautions must be observed to avoid injuries and damage. Please read the complete operating instructions and safety regulations with due care. Keep this manual in a safe place, so that the information is available at all times. If you give the equipment to any other person, hand over these operating instructions and safety regulations as well. We cannot accept any liability for damage or accidents which arise due to a failure to follow these instructions and the safety instructions.

**Explanation of the symbols used (see Fig. 9)**

1. **Danger!** - Read the operating instructions to reduce the risk of injury.
2. **Caution! Wear ear-muffs.** The impact of noise can cause damage to hearing.
3. **Caution! Wear a breathing mask.** Dust which is injurious to health can be generated when working on wood and other materials. Never use the device to work on any materials containing asbestos!
4. **Caution! Wear safety goggles.** Sparks generated during working or splinters, chips and dust emitted by the device can cause loss of sight.
5. Store the batteries only in dry rooms with an ambient temperature of +10°C to +40°C. Place only fully charged batteries in storage (charged at least 40%).
6. Change the gear only when the drill is at a standstill. If you fail to observe this point, the gearing may be damaged.
7. Safety class II
8. For use in dry rooms only.

**1. Safety regulations**

The corresponding safety information can be found in the enclosed booklet.

**Warning!**

**Read all the safety information, instructions, illustrations and technical data provided on or with this power tool.** Failure to adhere to the following instructions may result in electric shock, fire and/or serious injury.

**Keep all the safety information and instructions in a safe place for future use.**

**2. Layout and items supplied****2.1 Layout (Fig. 1)**

1. Torque selector
2. Battery capacity indicator
3. Changeover switch
4. ON/OFF switch
5. Battery pack
6. Battery charger
7. Selector switch for 1st/2nd gear
8. Pushlock button
9. Quick-change drill chuck
10. LED lamp
11. Additional handle
12. Selector switch for driving/drilling/impact drilling

**2.2 Items supplied**

Please check that the article is complete as specified in the scope of delivery. If parts are missing, please contact our service center or the sales outlet where you made your purchase at the latest within 5 working days after purchasing the product and upon presentation of a valid bill of purchase. Also, refer to the warranty table in the service information at the end of the operating instructions.

- Open the packaging and take out the equipment with care.
- Remove the packaging material and any packaging and/or transportation braces (if available).
- Check to see if all items are supplied.
- Inspect the equipment and accessories for transport damage.
- If possible, please keep the packaging until the end of the guarantee period.

**Important!**

**The equipment and packaging material are not toys. Do not let children play with plastic bags, foils or small parts. There is a danger of swallowing or suffocating!**

- Cordless drill/screwdriver
- Additional handle
- Charger
- Battery
- Original operating instructions
- Safety instructions

### 3. Proper use

The cordless impact drill/driver is designed for tightening and undoing screws, for drilling in wood, metal and plastic, and for impact drilling in stone, in each case when using the appropriate bits.

The equipment is to be used only for its prescribed purpose. Any other use is deemed to be a case of misuse. The user/operator and not the manufacturer will be liable for any damage or injuries of any kind caused as a result of this.

### 4. Technical data

Voltage supply ..... 18 V d.c.  
 Idling speed: ..... 0-500/0-1800 rpm  
 Torque settings: ..... 20+1+1  
 Forward and reverse rotation ..... yes  
 Chuck clamping width..... 0.8-13 mm  
 Battery charger output voltage: ..... 20 V d. c.  
 Battery charger output current: ..... 3 A  
 Mains voltage for charger: .. 200-250 V~ 50-60 Hz  
 Battery type: ..... Lithium-ion  
 Number of battery cells: ..... 5  
 Battery capacitance: ..... 2.0 Ah  
 Weight..... 1.69 kg

The maximum screw diameter indicates the maximum diameter of the screw that can be screwed into wood. The screw diameter can vary depending on the type of wood.

#### **Danger!**

#### **Sound and vibration**

Sound and vibration values were measured in accordance with EN 62841.

$L_{pA}$  sound pressure level ..... 87,7 dB(A)  
 $K_{pA}$  uncertainty ..... 5 dB  
 $L_{WA}$  sound power level ..... 98,7 dB(A)  
 $K_{WA}$  uncertainty ..... 5 dB

#### **Wear ear-muffs.**

The impact of noise can cause damage to hearing.

Total vibration values (vector sum of three directions) determined in accordance with EN 62841.

#### **Drilling in metal**

Vibration emission value  $a_{h,ID} \leq 2.5 \text{ m/s}^2$   
 K uncertainty =  $1.5 \text{ m/s}^2$

#### **Impact drilling in concrete**

Vibration emission value  $a_{h,ID} = 10.15 \text{ m/s}^2$   
 Uncertainty K =  $1.5 \text{ m/s}^2$

The stated vibration emission levels and stated noise emission values were measured in accordance with a set of standardized criteria and can be used to compare one power tool with another.

The stated vibration emission levels and stated noise emission values can also be used to make an initial assessment of exposure.

#### **Warning:**

The vibration and noise emission levels may vary from the level specified during actual use, depending on the way in which the power tool is used, especially the type of workpiece it is used for.

#### **Keep the noise emissions and vibrations to a minimum.**

- Only use appliances which are in perfect working order.
- Service and clean the appliance regularly.
- Adapt your working style to suit the appliance.
- Do not overload the appliance.
- Have the appliance serviced whenever necessary.
- Switch the appliance off when it is not in use.

#### **Caution!**

#### **Residual risks**

**Even if you use this electric power tool in accordance with instructions, certain residual risks cannot be ruled out. The following hazards may arise in connection with the equipment's construction and layout:**

1. Lung damage if no suitable protective dust mask is used.
2. Damage to hearing if no suitable ear protection is used.
3. Health damage caused by hand-arm vibrations if the equipment is used over a prolonged period or is not properly guided and maintained.

#### **Limit the operating time.**

All stages of the operating cycle must be considered (for example, times in which the electric tools are switched off and times in which the tool is switched on but operates without load).

## 5. Before starting the equipment

Be sure to read the following information before you use your cordless screwdriver for the first time:

1. Charge the battery pack with the charger supplied.
2. Only ever use sharp drill bits and screwdriver bits which are suitable for the purpose and in faultless condition.
3. Always check for concealed electric cables and gas and water pipes when drilling and screwing in walls.

## 6. Operation

### 6.1 Charging the LI battery pack (Fig. 2-3)

1. Remove the battery pack (5) from the handle, pressing the pushlock buttons (8) downwards to do so.
2. Check that your mains voltage is the same as that marked on the rating plate of the battery charger. Insert the power plug of the charger (6) into the mains socket outlet. The green LED will then begin to flash.
3. Push the battery pack onto the battery charger.

In section 10 "Charger indicator" you will find a table with an explanation of the LED indicator on the charger.

If the battery pack fails to become charged, please check

- whether there is voltage at the socket-outlet
- whether there is proper contact at the charging contacts on the charger.

If the battery still fails to become charged, please return

- the charger
- the battery pack

to our Customer Service Department.

**To ensure that items are properly packaged and delivered when you send them to us, please contact our customer service or the point of sale at which the equipment was purchased.**

**When shipping or disposing of batteries and cordless tools, always ensure that they are packed individually in plastic bags to prevent short circuits and fires.**

To ensure that the LI battery pack provides long service you should take care to recharge it promptly. You must recharge the battery pack when you notice that the power of the cordless screwdriver drops.

### 6.2 Torque setting (Fig. 4 /Item 1)

**Important! The tool must be at a standstill when you set the torque with the setting ring.**

The cordless screwdriver is fitted with a mechanical torque selector.

The torque for a specific size of screw is selected with the set-collar (1). The correct torque depends on several factors:

- on the type and hardness of material in question
- on the type and length screws used
- on the requirements needing to be met by the screwed joint.

The clutch disengages with a grating sound to indicate when the set torque is reached.

### 6.3 Selector switch for driving/drilling/impact drilling (Fig. 4/Item 12)

- For driving purposes, set the selector switch (12) to the „Screw“ position. The torque is adjusted via the torque setting (1) (see point 6.2).
- For drilling purposes, set the selector switch (12) to the „Bit“ position. The slip coupling is now off and the maximum torque is available regardless of the torque setting (1).
- For impact drilling purposes, set the selector switch (12) to the „Hammer“ position. The slip coupling is now off and the maximum torque is available regardless of the torque setting (1).

**Important! Change the torque setting (1) and the selector switch for driving/drilling/impact drilling (12) only when the equipment is at a standstill.**

#### 6.4 Forward/Reverse switch (Fig. 5 /Item 3)

With the slide switch above the On/Off switch you can select the direction of rotation of the battery-powered drill/screwdriver and secure it against being switched on accidentally. You can choose between clockwise and anticlockwise rotation. To avoid causing damage to the gearing it is advisable to change the direction of rotation only when the tool is at a standstill. The On/Off switch is blocked when the slide switch is in centre position.

#### 6.5 On/Off switch (Fig. 5 /Item 4)

Infinitely variable speed control is possible with the On/Off switch. The further you press the switch, the higher the speed of the battery-powered drill/screwdriver.

#### 6.6 Changing over from 1st gear to 2nd gear (Fig. 4 /Item 7)

You can work at a higher or lower speed depending on the position of the selector switch. To avoid damaging the gear unit you should only change over gears when the tool has stopped.

#### 6.7 Battery capacity indicator (Fig. 6 – Item 2)

Press the battery capacity indicator switch (a). The battery capacity indicator (2) shows the charge status of the battery using 3 LEDs.

##### All 3 LEDs are lit:

The battery is fully charged.

##### 2 or 1 LED(s) are lit:

The battery has an adequate remaining charge.

##### 1 LED flashes:

The battery is empty, recharge the battery.

##### All LEDs blink:

The battery temperature is too low. Remove the battery from the equipment, keep it at room temperature for one day. If the fault reoccurs, this means that the rechargeable battery has undergone exhaustive discharge and is defective. Remove the battery from the equipment. Never use or charge a defective battery.

#### 6.8 LED lamp (Fig. 6 /Item 10)

The LED lamp (10) can be used in poor lighting conditions to illuminate the area where you want to drill or screw. The LED lamp (10) will be lit automatically as soon as you press the ON/OFF switch (4).

#### 6.9 Changing the tool (Fig. 7)

**Important.** Set the changeover switch (3) to its centre position whenever you carry out any work (for example changing the tool, maintenance work, etc.) on the cordless screwdriver.

- The cordless screwdriver is fitted with a quick-action chuck (9) with an automatic spindle stop.
- Open the chuck (9). The chuck opening (a) must be large enough to hold the tool (drill bit or screwdriver bit).
- Select the suitable tool. Push the tool as far as possible into the chuck opening (a).
- Tighten the chuck (9) and then check that the tool is secure.

#### 6.10 Screwdriving

We recommend using self-centering screws (e.g. recessed head screws) designed for reliable working. Be sure to use a bit that matches the screw in shape and size. Set the torque, as described elsewhere in these operating instructions, to suit the size of screw.

#### 6.11 Mounting the additional handle (Fig. 8 /Item 11)

The additional handle (11) enables you to achieve better stability while using the equipment. Do not use the equipment without the additional handle.

The additional handle (11) can be screw-fitted in two positions (A, B). It is suitable therefore for right-handed and left-handed users.

## 7. Cleaning, maintenance and ordering of spare parts

### Danger!

Always pull out the battery pack before starting any cleaning work.

#### 7.1 Cleaning

- Keep all safety devices, air vents and the motor housing free of dirt and dust as far as possible. Wipe the equipment with a clean cloth or blow it with compressed air at low pressure.
- We recommend that you clean the device immediately each time you have finished using it.
- Clean the equipment regularly with a moist cloth and some soft soap. Do not use



cleaning agents or solvents; these could attack the plastic parts of the equipment. Ensure that no water can seep into the device. The ingress of water into an electric tool increases the risk of an electric shock.

### 7.2 Maintenance

There are no parts inside the equipment which require additional maintenance.

### 7.3 Ordering spare parts and accessories

Please provide the following information when ordering spare parts:

- Type of unit
- Article number of the unit
- ID number of the unit
- Spare part number of the required spare part

For our latest prices and information please go to [www.Einhell-Service.com](http://www.Einhell-Service.com)



Tip! For good results we recommend high-quality accessories from **kwb** !  
[www.kwb.eu](http://www.kwb.eu)  
[welcme@kwb.eu](mailto:welcme@kwb.eu)

## 8. Disposal and recycling

The equipment is supplied in packaging to prevent it from being damaged in transit. The raw materials in this packaging can be reused or recycled. The equipment and its accessories are made of various types of material, such as metal and plastic. Never place defective equipment in your household refuse. The equipment should be taken to a suitable collection center for proper disposal. If you do not know the whereabouts of such a collection point, you should ask in your local council offices.

## 9. Storage

Store the equipment and accessories out of children's reach in a dark and dry place at above freezing temperature. The ideal storage temperature is between 5 and 30 °C. Store the electric tool in its original packaging.

## 10. Charger indicator

Indicator status		Explanations and actions
Red LED	Green LED	
Off	Flashing	<p><b>Ready for use</b> The charger is connected to the mains and is ready for use; there is no battery pack in the charger</p>
On	Off	<p><b>Charging</b> The charger is charging the battery pack in quick charge mode. The charging times are shown directly on the charger. Important! The actual charging times may vary slightly from the stated charging times depending on the existing battery charge.</p>
Off	On	<p><b>The battery is charged and ready for use. (READY TO GO)</b> The unit then changes over to gentle charging mode until the battery is fully charged. To do this, leave the rechargeable battery on the charger for approx. 15 minutes longer. <b>Action:</b> Take the battery pack out of the charger. Disconnect the charger from the mains supply.</p>
Flashing	Off	<p><b>Adapted charging</b> The charger is in gentle charging mode. For safety reasons the charging is performed less quickly and takes more time. The reasons can be: - The rechargeable battery has not been used for a very long time. - The battery temperature is outside the ideal range. <b>Action:</b> Wait for the charging to be completed; you can still continue to charge the battery pack.</p>
Flashing	Flashing	<p><b>Fault</b> Charging is no longer possible. The battery pack is defective. <b>Action:</b> Never charge a defective battery pack. Take the battery pack out of the charger.</p>
On	On	<p><b>Temperature fault</b> The battery pack is too hot (e.g. due to direct sunshine) or too cold (below 0° C). <b>Action:</b> Remove the battery pack and keep it at room temperature (approx. 20° C) for one day .</p>

**Disposal**

Power tools, rechargeable batteries, accessories and packaging should be sorted for environmental-friendly recycling.

Do not dispose of power tools and batteries/rechargeable batteries into household waste!

**Only for EU countries:**

According to the Directive 2012/19/EU on waste electrical and electronic equipment and its transposition into national law, power tools that are no longer usable, and, according to the Directive 2006/66/EC, defective or drained batteries must be collected separately and disposed of in an environmentally correct manner.

If disposed incorrectly, waste electrical and electronic equipment may have harmful effects on the environment and human health, due to the potential presence of hazardous substances.

**Only for United Kingdom:**

According to The Waste Electrical and Electronic Equipment Regulations 2013 (SI 2013/3113) (as amended) and the Waste Batteries and Accumulators Regulations 2009 (SI 2009/890) (as amended), products that are no longer usable must be collected separately and disposed of in an environmentally friendly manner.

The reprinting or reproduction by any other means, in whole or in part, of documentation and papers accompanying products is permitted only with the express consent of the Einhell Germany AG.

Subject to technical changes

## Service information

We have competent service partners in all countries named on the guarantee certificate whose contact details can also be found on the guarantee certificate. These partners will help you with all service requests such as repairs, spare and wearing part orders or the purchase of consumables.

Please note that the following parts of this product are subject to normal or natural wear and that the following parts are therefore also required for use as consumables.

Category	Example
Wear parts*	Drill chuck, Battery
Consumables*	Bit inserts/drill bits
Missing parts	

\* Not necessarily included in the scope of delivery!

In the effect of defects or faults, please register the problem on the internet at [www.Einhell-Service.com](http://www.Einhell-Service.com). Please ensure that you provide a precise description of the problem and answer the following questions in all cases:

- Did the equipment work at all or was it defective from the beginning?
- Did you notice anything (symptom or defect) prior to the failure?
- What malfunction does the equipment have in your opinion (main symptom)?  
Describe this malfunction.

## Warranty certificate

Dear Customer,

All of our products undergo strict quality checks to ensure that they reach you in perfect condition. In the unlikely event that this equipment develops a fault, please contact our service department at the address shown on this guarantee card. You can also contact us by telephone using the service number shown. Please note the following terms under which guarantee claims can be made:

1. These guarantee terms apply solely to consumers, i.e. natural persons, who do not want to use this product in connection with either their commercial or other self-employed activities. These guarantee terms regulate additional guarantee services which the undermentioned manufacturer promises to buyers of its new products in addition to their statutory rights of guarantee. Your statutory rights of guarantee are not affected by this guarantee. Our guarantee is free of charge to you.
2. The guarantee services cover only defects due to material or manufacturing faults on the new product which you have bought in the European Union from the undermentioned manufacturer and are limited to either the rectification of said defects or the replacement of the product, whichever we prefer. Please note that only equipment under the brand name "Professional" has been designed for use in commercial, trade or professional applications. For all other products the guarantee is invalidated if the equipment is used within the guarantee period in commercial, trade or industrial applications or for other equivalent activities.
3. Our guarantee does not cover:
  - Damage to the equipment caused by failure to comply with the installation/assembly instructions or by unprofessional installation; damage caused by failure to comply with the operating instructions (e.g. connection to the wrong mains voltage or current type); damage caused by failure to comply with the maintenance and safety regulations; damage caused by exposing the equipment to abnormal environmental conditions; damage resulting from poor care and maintenance.
  - Damage to the equipment caused by misuse or incorrect applications (e.g. overloading the equipment or using non-approved attachments or accessories); damage caused by foreign bodies (e.g. sand, stones, dust, ...) getting inside the equipment. Damage in transit; damage caused by force or external influences (e.g. by dropping the equipment).
  - Damage to the equipment or parts of the equipment which is owed to use-related, normal or otherwise natural wear. For example, batteries and battery packs are manufactured with a cycle limit for design-related reasons. Wear is negatively influenced in particular by load demands and charging speeds as well as exposure to heat, cold, vibration and impact.
4. The guarantee is valid for a period of 2 years starting from the purchase date of the equipment. Guarantee claims must be submitted before the end of the guarantee period and within two weeks of the defect being noticed. No guarantee claims will be accepted after the end of the guarantee period. The original guarantee period remains applicable to the equipment even if repairs are carried out or parts are replaced. In such cases, the work performed or parts fitted will not result in an extension of the guarantee period, and no new guarantee will become active for the work performed or for any replacement parts fitted. This also applies if on-site service is used.
5. To assert your guarantee claim, register the defective equipment at: [www.Einhell-Service.com](http://www.Einhell-Service.com). You will need to provide proof of purchase of the new item of equipment. Equipment returned without such proof or without a rating plate are excluded from the guarantee services because of the lack of traceability. If the defect is covered by our guarantee, then either the item in question will be repaired immediately and returned to you or we will send you a new replacement.
6. If you have taken the equipment with you to a different EU country than where you bought it, we will arrange for a local service partner to provide the guarantee services. If you take the equipment outside the EU, the guarantee will not apply.

Of course, we are also happy to offer a chargeable repair service for any defects which are not covered or no longer covered by the scope of this guarantee. To take advantage of this service, please send the equipment to our service address. We draw attention to the restrictions of this guarantee concerning wear parts, consumables and missing parts as presented in the service information included in this operating manual.

Warrantor/ Service:

Einhell UK Ltd, Unit 10, 1st Floor, Champion's Business Park, Arrowse Brook Road, Upton, Wirral, CH49 0UQ



## Declaration of conformity

We, Einhell UK Ltd

Champions Business Park, First Floor Unit 10, Arrowe Brook Rd, Upton, Wirral CH49 0AB,  
United Kingdom

declare the conformity to UK standards and legislation was assessed for:

### Cordless Impact Drill TP-CD 18/80 Li-i BL (Einhell)

#### UK legislation

- |  |  |
|--|--|
| <input type="checkbox"/> Simple Pressure Vessels (Safety) Regulation   | <input checked="" type="checkbox"/> Electromagnetic Compatibility Regulation |
| <input type="checkbox"/> Electrical Equipment (Safety) Regulation  | <input type="checkbox"/> Measuring Instruments Regulation                    |
| <input type="checkbox"/> Radio Equipment Regulation  | <input type="checkbox"/> Pressure Equipment (Safety) Regulation              |
| <input type="checkbox"/> Personal Protective Equipment Regulation  |  |
| <input type="checkbox"/> The Ecodesign for Energy-Related Products and Energy Information Regulation   |  |
| <input checked="" type="checkbox"/> The Restriction of the Use of Certain Hazardous Substances in Electrical and Electronic Equipment Regulation                       |  |
| <input type="checkbox"/> Noise Emission in the Environment by Equipment for use Outdoors Regulation<br>Noise: measured $L_{WA}$ = dB (A); guaranteed $L_{WA}$ = dB (A) |  |
| <input checked="" type="checkbox"/> Supply of Machinery (Safety) Regulation  |  |
| <input type="checkbox"/> Annex IV<br>Notified Body:<br>Reg. No.:   |  |

Standards: BS EN 62841-1; BS EN 62841-2-1; BS EN 55014-1; BS EN 55014-2

Wirral, 2023.10.16

  
Tom Chambers, Managing Director Einhell UK Ltd.

Article Number: 42.572.43 I.-No.: 21013  
Subject to change without notice

Archive-File/Record: NAPR031058  
Documents registrar: Thomas Fischer  
Wiesenweg 22, 94405 Landau/Isar, Germany



A series of 20 horizontal lines for writing, starting from the top right of the page and extending downwards.



EH 10/2023 (01)

