



# Einhell

**BLUE**

## BT-LS 810 D Log Splitter

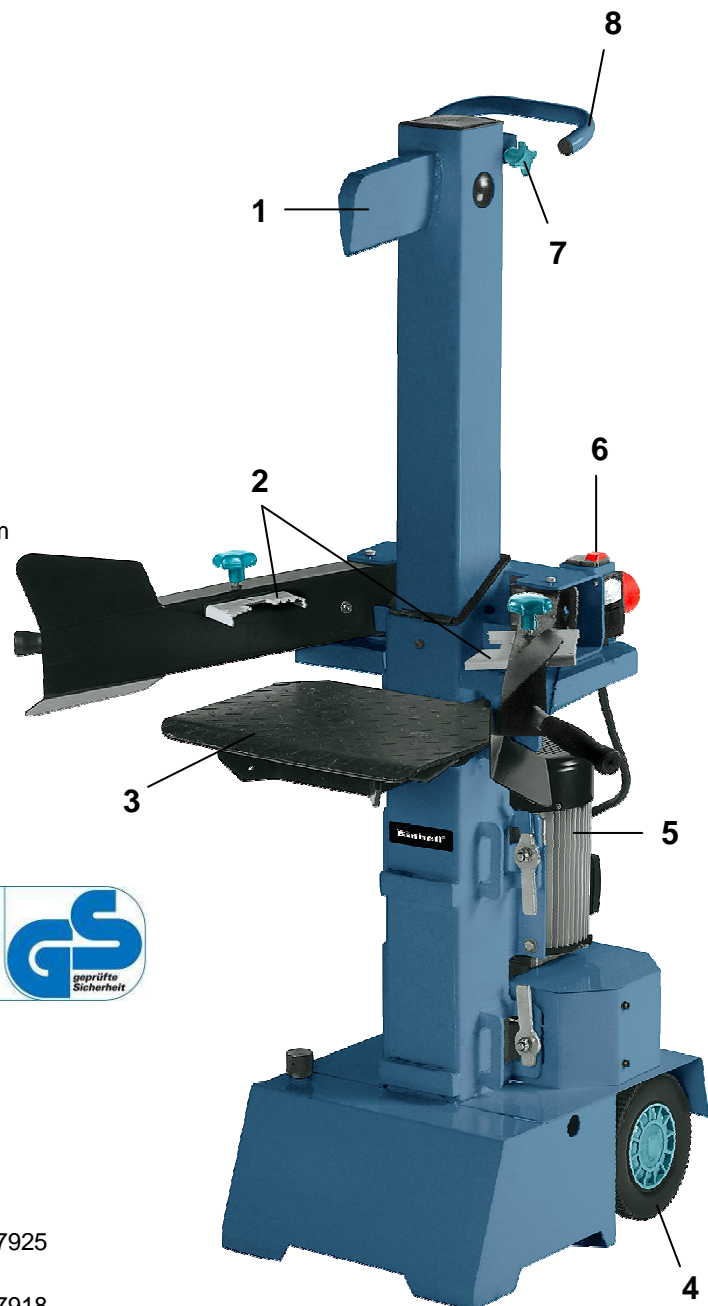
Art.-No. 34.320.60

### Features

- Splitting wedge (1)
- Adjustable log holding plates (2)
- 3-fold height adjustable working table made of checkered sheet steel (3)
- Stable wheels for easy transport (4)
- Powerful 400 V engine (5)
- On/Off switch with no-load actuator (6)
- Adjustable splitting wedge height (7)
- Transport handle (8)

### Technical data

- |                              |                      |
|------------------------------|----------------------|
| ■ Engine:                    | 400 V ~ 50 Hz        |
| ■ Power:                     | 3.5 kW               |
| ■ Splitting force:           | 8 t                  |
| ■ Cylinder stroke:           | 480 mm               |
| ■ Log length:                | 150 – 1,040 mm       |
| ■ Log diameter:              | 120 – 320 mm         |
| ■ Filling quantity oil tank: | 5 l                  |
| ■ Weight:                    | 125 kg               |
| ■ Packing dimensions:        | 585 x 440 x 1,070 mm |
| ■ Bar code:                  | 4006825 537888       |
| ■ Sales unit:                | 1 pc                 |



### As special accessories available:

- |                         |                            |
|-------------------------|----------------------------|
| <b>Cross knife</b>      | Art.-No.: <b>34.320.87</b> |
|                         | Bar code: 4006825 537925   |
| <b>Broadening knife</b> | Art.-No.: <b>34.320.85</b> |
|                         | Bar code: 4006825 537918   |