

POWER CRAFT

1500W 10" TABLE SAW

User Guide & Warranty



After Sales Support

Now you have purchased a Power Craft product you can rest assured in the knowledge that as well as your 3 year parts and labour warranty you have the added peace of mind of dedicated helplines and web support.

AFTER SALES SUPPORT

UK / N.IRELAND HELPLINE NO 0151 649 1500
REP. IRELAND HELPLINE NO 1890 946 244
WEB SUPPORT www.einhell.co.uk

MODEL NUMBER: PTS 15/250

Contents

- 03 Introduction
- 04 General Information & Safety Instructions
- 10 Assembly and Parts List
- 17 Getting Started
- 19 Features
- 20 Instructions
- 28 Other Useful Information
- 31 Warranty Card

Introduction

Congratulations on choosing to buy a PowerCraft product.

By doing so you now have the assurance and peace of mind that comes with purchasing a product made by one of Europe's leading manufacturers.

All products brought to you by PowerCraft are manufactured to the highest standards of performance and safety, and, as part of our philosophy for customer service and satisfaction, are backed by our comprehensive 3 Year Warranty.

We hope you will enjoy using your purchase for many years to come.

General Information & Safety Instructions **2**

Please read the operating instructions carefully before assembling and using

Important information

Please read the directions for use carefully and observe the information provided. It is important to consult these instructions in order to acquaint yourself with the machine, its proper use and safety precautions.

Safety information

- Warning: When using electric tools it is imperative to take the following basic safety precautions in order to reduce the risk of electric shock, injury and fire.
- Take due note of all this information before and while working with the saw.
- Do not lose these safety regulations.
- Guard against electric shock Avoid body contact with earthed parts.
- When equipment is not being used it should be kept in a dry, closed place out of children's reach.
- Keep mounted attachments sharp and clean to enable you to work well and safely.
- Check the power cable regularly and have it replaced by an authorized specialist at the first sign of any damage.
- Check your extension cables regularly and replace them if damaged.
- When working outdoors, use only extension cables that are approved for outdoor use and which are marked accordingly.
- Concentrate on what you are doing. Use common sense. Do not operate the tool if your mind is not on your work.
- Never use an electric tool with a switch that cannot be turned on and off.

- Warning! The use of plug-in tools and accessories other than those intended may put you at risk of injury.
- Always pull the plug out of the power socket before adjusting or servicing the machine.
- Give these safety regulations to all persons who work on the machine.
- Do not use this saw to cut fire wood.
- Do not use this saw to cross-cut roundwood.
- Caution! Hands and fingers may be injured on the rotating saw blade.
- The machine is equipped with a safety circuit breaker (11) to prevent it starting up again after a voltage drop.
- Before you use the machine for the first time, check that the voltage marked on the rating plate is the same as your mains voltage.
- If you need to use an extension cable, make sure its conductor cross-section is big enough for the saw's power consumption. Minimum cross-section: 1 mm².
- If you use a cable reel, the complete cable has to be pulled off the reel.
- Do not carry the tool by its cable.
- Check the power cable. Never use a faulty or damaged power cable.
- Do not use the cable to pull the plug out of the socket. Protect the cable from heat, oil and sharp edges.
- Do not leave the saw in the rain and never use it in damp or wet conditions.
- Provide good lighting.
- Do not saw near flammable liquids or gases.
- Wear suitable work clothes! Loose garments or jewelry may become caught up in the rotating saw blade.
- Non-slip shoes are recommended when working outdoors.
- Wear a hair net if you have long hair.
- Avoid abnormal working postures.
- It is recommended that an RCD (Residual Current Device) is fitted into the mains supply for added safety.
- Keep children away from the machine when it is connected to the power supply.

- Keep your workplace clean of wood scrap and any unnecessary objects.
- An untidy work area invites accidents.
- Do not allow other persons, especially children, to touch the tool or cable. Keep them out of your work area.
- Persons working on the machine should not be distracted.
- Note the direction of rotation of the motor and saw blade. Use only blades whose permissible maximum speed is not lower than the maximum spindle speed of the bench-type circular saw and of the material to be cut.
- After you have switched off the motor, never slow down the saw blade (4) by applying pressure to its side.
- Fit only blades (4) which are well sharpened and have no cracks or deformations.
- Never use circular saw blades (4) made of high-speed steel (HSS).
- Use only blades which are recommended by the manufacturer, comply with EN 847-1 and come with a warning notice. When changing the blade, make sure that the cutting width is not smaller and the saw plate not bigger than the thickness of the splitter.
- Faulty saw blades (4) have to be replaced immediately.
- Never use saw blades which do not comply with the data specified in this manual.
- Never wedge the hinged guard hood (2) in open position. Use the upper blade guard and set it to the correct position.
- Never dismantle the machine's safety devices (2, 5) or put them out of operation.
- If the table insert is worn, replace it.
- Use the splitter correctly and set it to the correct position. The splitter (5) is an important safety device. Not only does it guide the workpiece, it also prevents the cut closing behind the blade so that there is no kickback from the workpiece. Note the thickness of the splitter.
- The guard hood (2) has to be lowered over the workpiece for each cut.

- Always be sure to use a push stick (3), especially when slitting narrow workpieces (smaller than 120 mm in width). Keep the push stick or handle for a push block at the machine at all times, even when you are not using them.
- Never cut workpieces which are too small to hold securely in your hand.
- Important: It is prohibited to use this saw to make plunge cuts.
- Always stand to the side of the saw blade when working with the saw.
- Never load the machine so much that it cuts out.
- Always press the workpiece firmly against the saw table (1).
- Make sure that off-cuts do not catch on the saw blade crown. Risk of catapulting!
- Never remove loose splinters, chips or jammed pieces of wood when the saw blade is running.
- To rectify faults or remove jammed pieces of wood, always switch off the machine first. - Pull out the power plug!
- If the sawing gap is worn, replace the table insert (6). - Pull out the power plug!
- Carry out conversions, adjustments, measurements and cleaning jobs only when the motor is switched off. - Pull out the power plug!
- Before switching on, make sure that all keys and wrenches have been removed from the tool.
- Switch off the motor and pull out the power plug before you leave the workplace.
- Refit all guards and safety devices immediately after you have completed any repairs or maintenance work.
- Be sure to observe the safety information and operating and maintenance instructions issued by the manufacturer, as well as the dimensions listed in the Technical Data.
- It is imperative to observe the accident prevention regulations in force in your area as well as all other generally recognized rules of safety.
- Note the information published by your professional associations.

- Connect up the dust extraction system on all jobs. Circular saws have to be connected to a dust collecting device when used to saw wood. The operator has to be informed about the conditions with an influence on dust development, e.g. the type of material being processed (source and collection of the dust), the significance of local separation arrangements, and the correct setting of hoods, baffle plates and guides.
- To prevent injuries from flying debris from the workpiece, operate the saw only with a suitable extraction system or a standard industrial vacuum cleaner.
- The bench-type saw has to be connected to a 230 V socket-outlet with earthing contact and minimum fusing of 10 A.
- Do not use any low-powered machines for heavy duty work.
- Do not mis-use the cable
- Make sure you stand squarely and keep your balance at all times.
- Check the tool for damage
- Each time before re-using the tool, carefully check that the guards or any slightly damaged parts are working as intended.
- Check that the moving parts are in good working order, that they do not jam, and that no parts are damaged. Make sure that all parts are fitted correctly and that all other operating conditions are properly fulfilled.
- Unless otherwise stated in the operating instructions, damaged safety devices and parts have to be repaired or replaced by an authorized service center.
- Have damaged switches replaced by a customer service workshop.
- This electric tool complies with the pertinent safety regulations. Repairs are to be carried out only by a qualified electrician using original replacement parts or the user may suffer an accident.
- If necessary, wear suitable personal protection equipment. This could consist of: - Ear-defenders to prevent the risk of damaging your hearing - A breathing mask to prevent the risk of inhaling hazardous dust - Eye protection to prevent the risk of damaging your eyes.

- Always wear gloves when handling saw blades and rough materials. Whenever practicable, saw blades must be carried in a container.
- The operator has to be informed about the conditions with an influence on noise development (e.g. blades designed to reduce noise emission, caring for blades and saws).
- Faults on the machine or its guards, safety devices and blade have to be reported to the person in charge as soon as they are discovered.
- Use only the transport devices to move the machine. Never use the guards for handling and moving the machine.
- While you are moving the machine it is best to cover the top part of the blade, e.g. with the guard.
- Do not cut rebates or grooves without fitting a suitable guard, e.g. a tunnel-type guard, over the saw table.
- Circular saws must not be used for slotting jobs (cutting grooves which end in the workpiece).
- During transportation, the upper part of the saw blade should be covered; for example, by the guard.



Important: Risk of injury!
Never reach into the running saw blade.



Wear goggles



Wear ear-defenders



Wear a breathing mask

Assembly & Parts List **3**

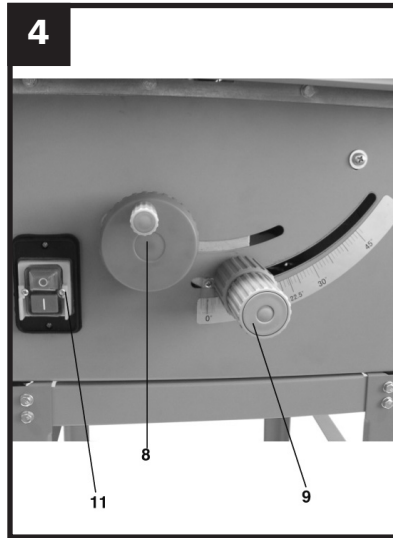
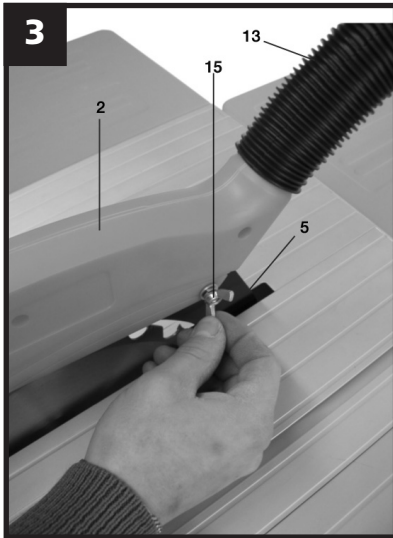
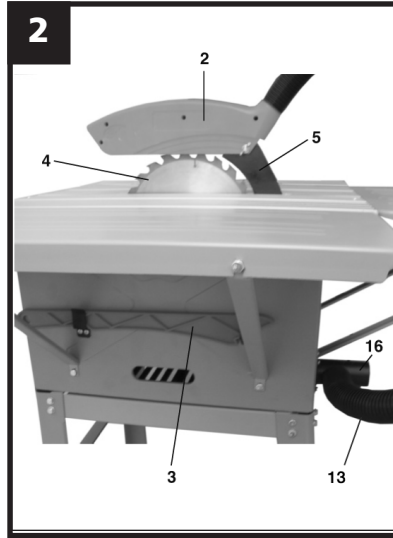
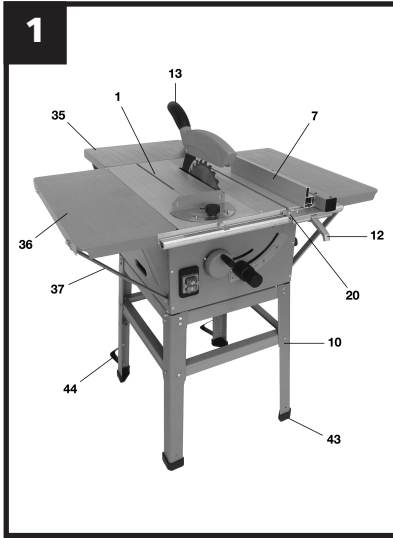
Layout (Fig. 1 to 4)

- | | | | |
|----|-----------------|----|-----------------------|
| 1 | Saw table | 14 | Cross stop |
| 2 | Saw blade guard | 15 | Screw with wing |
| 3 | Push stick | 16 | Extractor adapter |
| 4 | Saw blade | 20 | Fixing screw |
| 5 | Splitter | 35 | Length extension |
| 6 | Table insert | 36 | Width extension |
| 7 | Parallel stop | 37 | Table support |
| 8 | Handwheel | 43 | Rubber feet |
| 9 | Adjusting and | 44 | Additional stand bars |
| 10 | Base frame | | |
| 11 | ON/OFF switch | | |
| 12 | Eccentric lever | | |
| 13 | Extractor hose | | |

Items supplied

- Table saw
- Carbide-tipped saw blade
- Parallel stop
- Cross stop
- Push stick
- Additional stand bars

Important! Pull out the power plug before carrying out any maintenance, resetting or assembly work on the cutting-off machine!



Assembling the base Frame (Fig. 5/6)

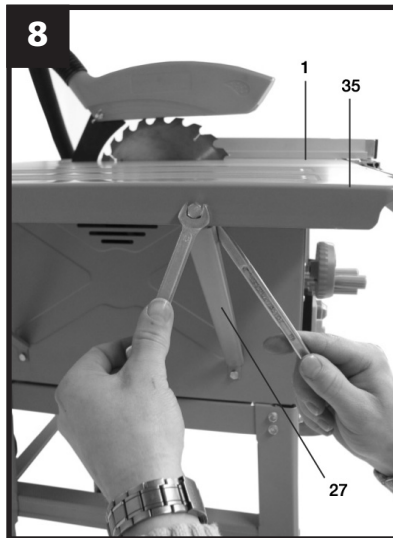
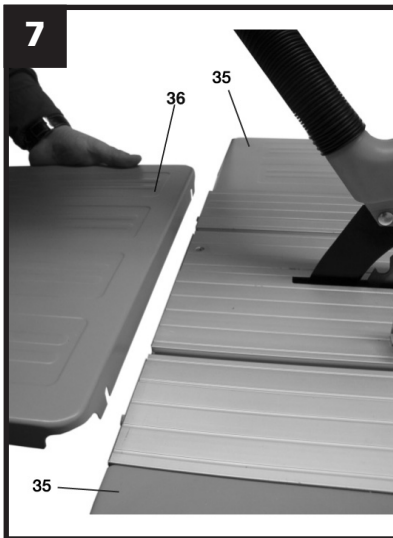
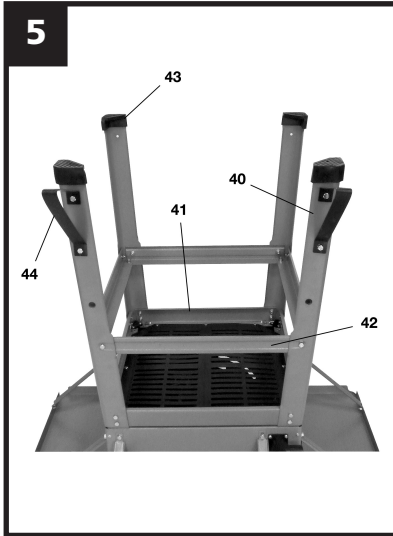
- Turn the saw upside down and place it on the floor.
- Use the hex screws and nuts to fasten the four legs (40) loosely to the saw.
- The two legs (40) with two holes lying upon each other on the lower side need to be mounted so the holes are on the backside of the machine. Mount the additional stand bar (44) on these holes. Warning! Both additional stand bars (44) have to be mounted on the backside of the machine.
- Now fasten the longitudinal struts and cross struts (41) as well as the four center struts (42) loosely to the legs.
- Be sure to secure the hex screws and nuts only loosely. Important: The longer struts have to be used on the sides.
- Now mount the rubber feet (43) on the legs and turn the saw together with the base frame so that it stands upright on the floor.
- Finally, secure all the screws and nuts on the base frame so that they are tight (Fig. 6).

Table width extension and length extension (Fig. 7/8)

- Use the screws and nuts to fasten the table width extension and length extension (35/36) loosely to the saw table (1) (Fig. 7).
- Screw the supports (27) loosely onto the saw housing and onto the table width extension or length extension (short supports for the width extension, long supports for the length extension).
- Align the table width extension and length extension level with the saw table (1).
- Finally, tighten all screws. (Fig.8)

Fitting/removing the saw blade guard (Fig. 2/3/10)

- Mount the saw blade guard (2) on the splitter (5) so that the screw fits through the hole (44) in the splitter.



- Do not tighten the screw (15) too far - the blade guard must be able to move freely.
- Fasten the extractor hose (13) to the extractor adapter (16) and to the extractor socket of the blade guard (2).
- A suitable extractor system has to be connected to the outlet of the extractor adapter (16).
- To remove the saw blade guard, proceed in reverse order.
- **Important! The guard hood (2) must always be lowered over the workpiece before you begin to cut.**

Setting the splitter (Fig. 3/10/11/12)

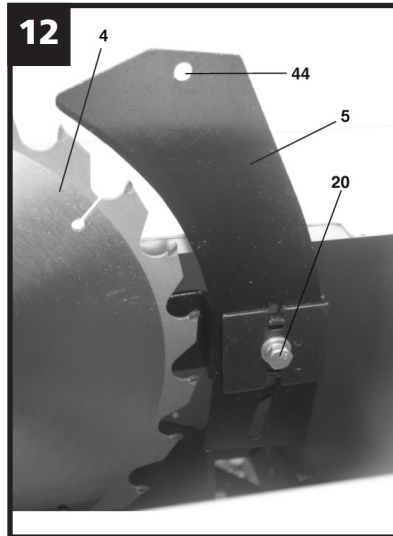
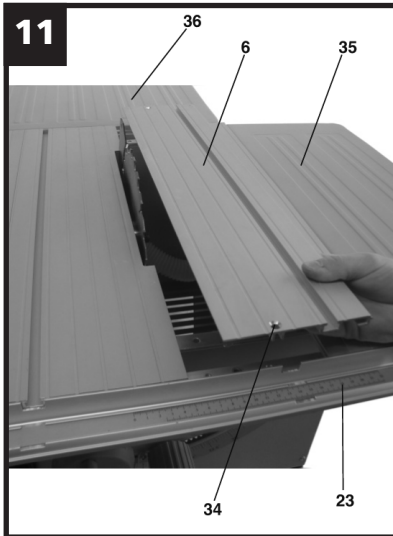
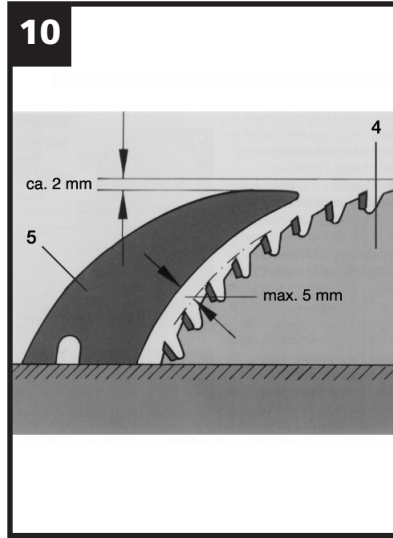
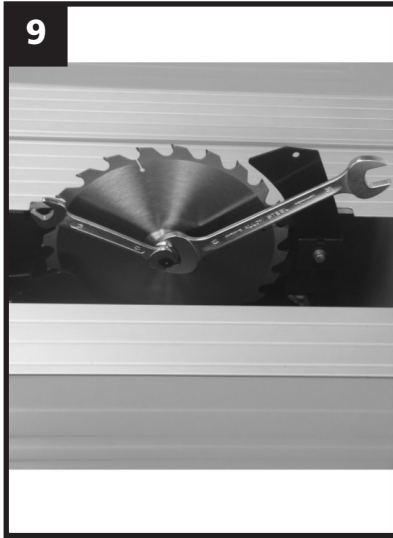
- **Important! Pull out the power plug.**
- Set the blade (4) to max. cutting depth, move to 0° position and lock in place.
- Remove the saw blade guard
- Take out the table insert (6)
- Slacken the fixing screw (20).

Setting for maximum cuts (Fig. 10/11/12)

- Push up the splitter (5) until the gap between the saw table (1) and the upper edge of the splitter (5) equals approx. 10 cm.
- The distance between the blade (4) and the splitter (5) should be 3-5 mm.
- Retighten the screw (20) and mount the table insert (6) (Fig. 7).

Setting for concealed cuts (Fig. 10/11/12)

- Push down the splitter (5) to the point where the tip of the splitter is 2 mm below the uppermost saw tooth tip.
- The distance between the splitter (5) and the saw blade (4) should again be 3-5 mm (see Fig9).
- Retighten the screw (20) and mount the table insert (6). **Important! After you make a concealed cut, be sure to refit the guard hood.**



- Please note that the cutting height will be reduced to approx. 55 mm if you leave the splitter in the lower position.
- The setting of the splitter has to be checked each time after changing the saw blade.

Changing the table insert (Fig. 3/11)

- To prevent increased likelihood of injury the table insert should be changed whenever it is worn or damaged.
- Remove the saw blade guard (2).
- Remove the 2 countersunk head screws (34).
- Take out the worn table insert (6).
- To fit the replacement table insert, proceed in reverse order.

Fitting/replacing the blade (Fig. 3/9)

- **Important! Pull out the power plug first.**
- Remove the table insert by undoing the two countersunk head screws.
- Undo the nut with a size 24 wrench on the nut itself and a second fork wrench (size 13) on the motor shaft to apply counter-pressure.
- Important! Turn the nut in the direction of rotation of the saw blade.
- Take off the outer flange and pull the old saw blade off the inner flange by dropping the blade at an angle.
- Clean the blade flange thoroughly before fitting the new blade.
- Mount and fasten the new saw blade in reverse order.
- **Important! Note the running direction. The cutting angle of the teeth must point in running direction, i.e. forwards (see the arrow on the blade guard).**
- Refit and set the splitter (5) and the saw guard (2)
- Check to make sure that all safety devices are properly mounted and in good working condition before you begin working with the saw again.

Getting Started

4

Before putting the machine into operation

- Never use the machine without the additional stand bars (44).
- Unpack the bench-type circular saw and check it for damage which may have occurred in transit.
- The machine has to be set up where it can stand firmly, e.g. on a work bench, or it must be bolted to a strong base.
- All covers and safety devices have to be properly fitted before the machine is switched on.
- It must be possible for the saw blade to run freely.
- When working with wood that has been processed before, watch out for foreign bodies such as nails or screws etc.
- Before you actuate the On/Off switch, make sure that the saw blade is correctly fitted and that the machine's moving parts run smoothly.
- Before you connect the machine to the power supply, make sure the data on the rating plate is the same as that for your mains.

Proper use

The bench-type circular saw is designed for the slitting and cross-cutting (only with the cross stop) of all types of timber, commensurate with the machine's size.

The machine is not to be used for cutting any type of roundwood. The machine is to be used only for its prescribed purpose.

Any other use is deemed to be a case of misuse. The user/operator and not the manufacturer will be held liable for damage and/or injuries of any kind that result from such misuse. The machine is to be operated only with suitable saw blades (saw blades made of HM or CV) It is prohibited to use

any type of HSS saw blade and cutting-off wheel. To use the machine properly you must also observe the safety regulations, the assembly instructions and the operating instructions to be found in this manual.

All persons who use and service the machine have to be acquainted with this manual and must be informed about the machine's potential hazards. It is also imperative to observe the accident prevention regulations in force in your area. The same applies for the general rules of occupational health and safety.

The manufacturer shall not be liable for any changes made to the machine nor for any damage resulting from such changes. Even when the machine is used as prescribed it is still impossible to eliminate certain residual risk factors. The following hazards may arise in connection with the machine's construction and design:

- Contact with the saw blade in the uncovered saw zone.
- Reaching into the running saw blade (cut injuries).
- Kick-back of workpieces and parts of workpieces.
- Saw blade fracturing.
- Catapulting of faulty carbide tips from the saw blade.
- Damage to hearing if ear-defenders are not used as necessary.
- Harmful emissions of wood dust when used in closed rooms.

Features

5

- Powerful 1500w motor
- 250mm x 30mm bore blade size
- 73mm maximum cutting capacity (53mm at 45°)
- 610mm x 440mm anodised table surface
- 3 x side extensions included
- Underframe with safety stabiliser included
- Includes parallel stop, cross fence with angle scale and push stick

Instructions

6

Using the saw

ON/OFF switch (Fig. 4)

- To turn the saw on, press the green button .I. . Wait for the blade to reach its maximum speed of rotation before commencing with the cut.
- To turn the machine off again, press the red button "0".

Cutting depth (Fig. 4)

- Turn the hand crank (8) to set the blade (4) to the required cutting depth.

Turn anti-clockwise: larger cutting depth

Turn clockwise: smaller cutting depth

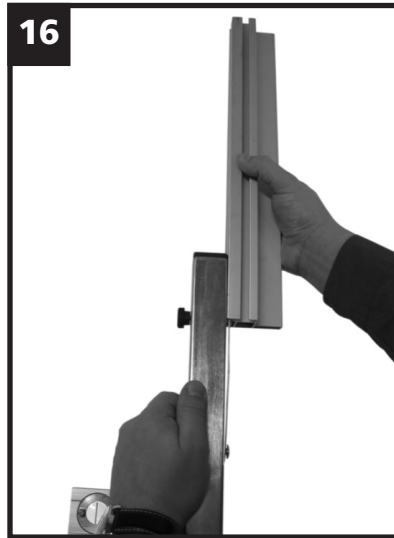
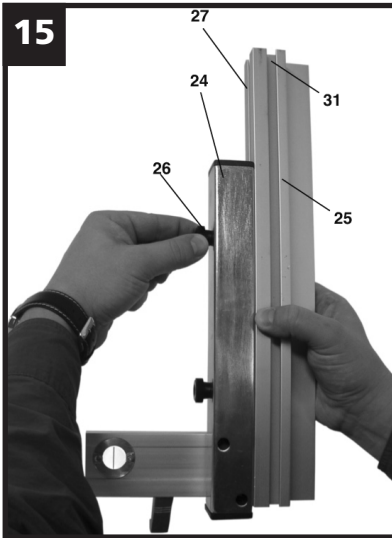
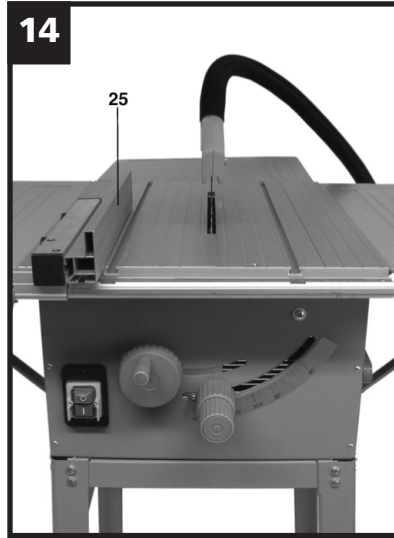
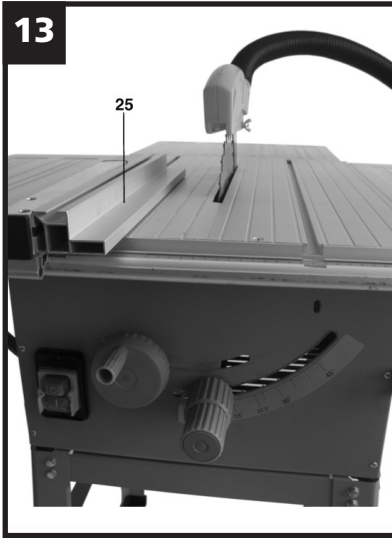
Parallel stop

Stop height (Figure 1/13/16)

- The parallel stop (7) supplied with the bench type circular saw has two different guide faces.
- For thick material you must use the stop rail (25) as shown in Fig. 14, for thin material you must use the stop rail as shown in Fig.13.
- To change over the stop rail (25) to the lower guide face you have to slacken the two knurled screws (26) in order to disconnect the stop rail (25) from the holder (24).
- Remove the two knurled screws (26) through the one slot (27) in the stop rail (25) and insert in the other slot (31).
- Remount the stop rail (25) on the holder (24).
- The procedure for changing over to the high guide face is similar.

Cutting width:

- The parallel stop (7) has to be used when making longitudinal cuts in wooden workpieces.
- The parallel stop (7) can be mounted on either side of the saw table (1).



- The parallel stop (7) has to be mounted in the guide rail (22) of the saw table (1).
- The parallel stop (7) can be set to the required dimension with the help of the scale (23) on the guide rail (1).
- You can clamp the parallel stop in the required position by pressing the eccentric lever (12).

Setting the stop length (Fig. 15/18)

- The stop rail (25) can be moved in longitudinal direction in order to prevent the workpiece from becoming jammed.
- Rule of thumb: The rear end of the stop comes up against an imaginary line that begins roughly at the center of the blade and runs at an angle of 45° to the rear.
- Set the required cutting width - Slacken the knurled screws (26) and push the stop rail (25) forward until it touches the imaginary 45° line. - Retighten the knurled screws (26).

Cross stop (Fig. 17)

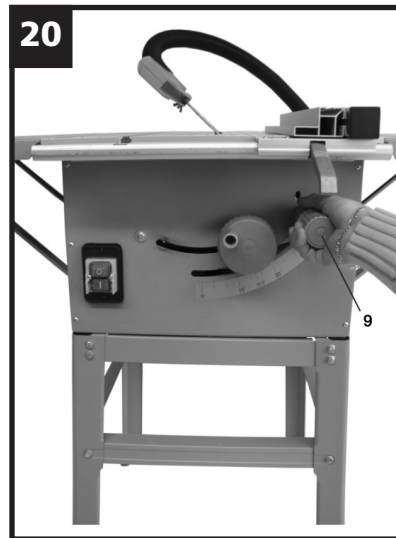
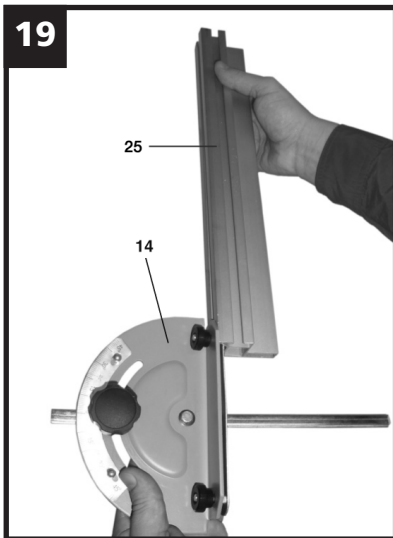
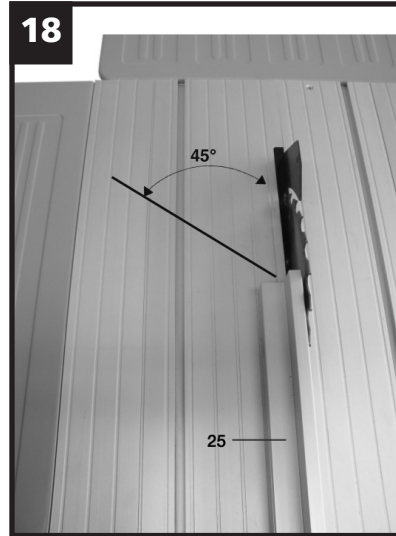
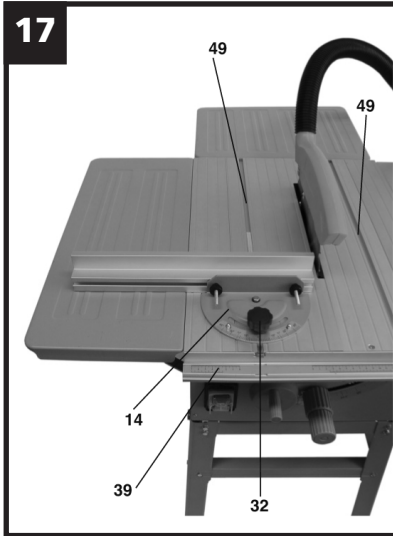
- Slide the cross stop (14) into the groove (49) of the table.
- Slacken the knurled screw (32).
- Turn the cross stop (14) until the arrow points to the angle required.
- Retighten the knurled screw (32).
- When cutting large parts of workpieces you can use the stop rail (25) from the parallel stop (7) to extend the length of the cross stop (14) (Fig.19)

Important!

- Do not push the stop rail (25) too far toward the blade.
- The distance between the stop rail (25) and the blade (4) should be approx. 2 cm.

Setting the angle (Fig. 20)

- Undo the fixing handle (9).
- Turn the handle to set the desired angle on the scale.
- Lock the fixing handle again in the required angle position.



Operation

Important!!

- After every new adjustment we recommend you to make a trial cut in order to check the new settings.
- After switching on the saw, wait for the blade to reach its maximum speed of rotation before commencing with the cut.
- Take extra care when starting the cut!

Making longitudinal cuts (Fig. 1/21)

Longitudinal cutting (also known as slitting) is when you use the saw to cut along the grain of the wood. Press one edge of the workpiece against the parallel stop (7) while the flat side lies on the saw table (1). The guard hood (2) must always be lowered over the workpiece.

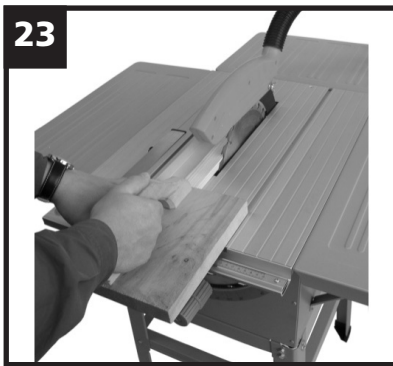
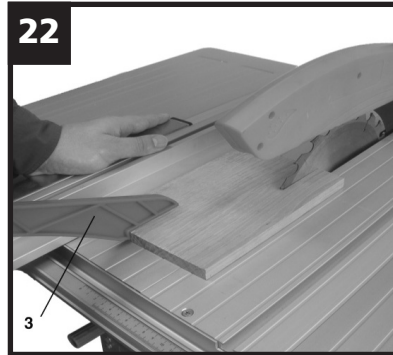
When you make a longitudinal cut, never adopt a working position that is in line with the cutting direction.

- Set the parallel stop (7) in accordance with the workpiece height and the desired width.
- Switch on the saw.
- Place your hands (with fingers closed) flat on the workpiece and push the workpiece along the parallel stop (7) and into the blade (4).
- Guide at the side with your left or right hand (depending on the position of the parallel stop) only as far as the front edge of the guard hood.
- Always push the workpiece through to the end of the splitter (5).
- The offcut piece remains on the saw table (1) until the blade (4) is back in its position of rest.
- Secure long workpieces against falling off at the end of the cut (e.g. with a roller stand etc.).

Cutting narrow workpieces (Fig. 22)

- Be sure to use a push stick (3) when making longitudinal cuts in workpieces smaller than 120 mm in width. A push block is supplied with the saw!

Replace a worn or damaged push stick immediately.



Cutting extremely narrow workpieces (Fig.23)

- Be sure to use a push block when making longitudinal cuts in very narrow workpieces with a width of 30 mm and less.
- The low guide face of the parallel stop is best used in this case.

**There is no push block supplied with the saw!
(Available from your specialist dealer) Replace the
push block without delay when it becomes worn.**



Making bevel cuts (Fig. 20/24)

Bevel cuts must always be used using the parallel stop (7).

- Set the blade (4) to the desired angle.
- Set the parallel stop (7) in accordance with the workpiece width and height.
- Carry out the cut in accordance with the workpiece width.

Making cross cuts (Fig. 17/25)

- Slide the cross stop (14) into one of the grooves (49) in the table and adjust to the required angle. If you also want to tilt the blade (4), use the groove (49) which prevents your hand and the cross stop from making contact with the blade guard.
- If necessary, use the stop rail (25).
- Press the workpiece firmly against the cross stop (14).
- Switch on the saw.
- Push the cross stop (14) and the workpiece toward the blade in order to make the cut.
- Important: Always hold the guided part of the workpiece. Never hold the part which is to be cut off.
- Push the cross stop (14) forward until the workpiece is cut all the way through.
- Switch off the saw again. Do not remove the offcut until the blade has stopped rotating.

Maintenance

- Important! Pull out the power plug first.
- Remove dust and dirt regularly from the machine. Cleaning is best carried out with a fine brush or a cloth.
- Never use caustic agents to clean plastic parts.

Ordering replacement parts

Please provide the following information on all orders for replacement parts:

- Model/type of device
- Article number of the device
- ID number of device
- Number of the required replacement part

For our latest prices and information please go to www.isc-gmbh.info

Useful Information

8

Technical data

AC motor	230V - 240V ~ 50Hz
Power P	S1 1200 W S6 40% 1500 W
Idle speed n0	5700 min ⁻¹
Cutting-off wheel	Ø 250 x Ø 30 x 2.4 mm
Number of teeth	24
Table size	610 x 440 mm
Table width extension, left/right	610 x 250 mm
Table length extension, rear	440 x 320 mm
Cutting height max.	73 mm/90° 53 mm / 45°
Height adjustment infinite	0 - 73 mm
Tilting saw blade infinite	0° - 45°
Extractor socket	Ø 35 mm
Operating mode S1:	Continuous operation
Weight	27 kg

Operating mode S6 40%: Continuous operation with idling (cycle time 10 minutes). To ensure that the motor does not become excessively hot it may only be operated for 40% of the cycle at the specified rating and must then be allowed to idle for 60% of the cycle.

Noise emission values

	mode	idle
Sound pressure level L_{pA}	106,7 dB(A)	93,5 dB(A)
Sound power level L_{WA}	114,5 dB(A)	105,0 dB(A)

The quoted values are emission values and not necessarily reliable workplace values. Although there is a correlation between emission and immission levels it is impossible to draw any certain conclusions as to the need for additional precautions. Factors with a potential influence on the actual immission level at the workplace include the duration of impact, the type of room, and other sources of noise etc., e.g. the number of machines and other neighboring operations. Reliable workplace values may also vary from country to country. With this information the user should at least be able to make a better assessment of the dangers and risks involved.

Waste disposal

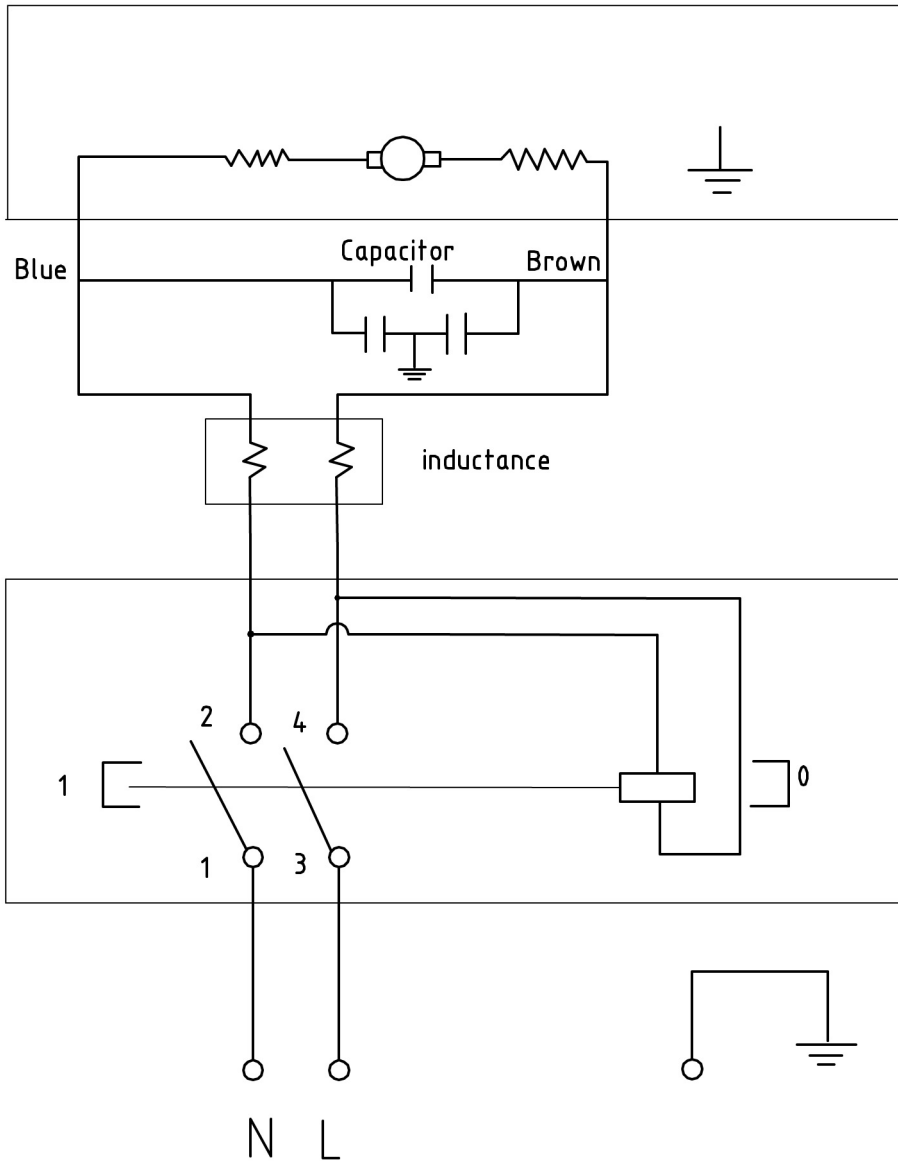
Important! The table saw and its accessories are made of various types of material, such as metal and plastic.

Defective components must be disposed of as special waste. Ask your dealer or your local council.



For EU countries only

Never place any electric tools in your household refuse. To comply with European Directive 2002/96/EC concerning old electric and electronic equipment and its implementation in national laws, old electric tools have to be separated from other waste and disposed of in an environment-friendly fashion, e.g. by taking to a recycling depot. Recycling alternative to the demand to return electrical devices: As an alternative to returning the electrical device, the owner is obliged to cooperate in ensuring that the device is properly recycled if ownership is relinquished. This can also be done by handing over the used device to a returns center, which will dispose of it in accordance with national commercial and industrial waste management legislation. This does not apply to the accessories and auxiliary equipment without any electrical components which are included with the used device.





DECLARATION OF CONFORMITY

ISC-GmbH · Eschenstraße 6 · D-94405 Landau/Isar

D erklart folgende Konformitat gema EU-Richtlinie und Normen fur Artikel
GB declares conformity with the EU Directive and standards marked below for the article
F dclare la conformit suivante selon la directive CE et les normes concernant l'article
NL verklaart de volgende conformiteit in overeenstemming met de EU-richtlijn en normen voor het artikel
E declara la siguiente conformidad a tenor de la directiva y normas de la UE para el artculo
P declara a seguinte conformidade de acordo com a directiva CE e normas para o artigo
S forklarar foljande overensstammelse enl. EU-direktiv och standarder for artikeln
FIN ilmoittaa seuraavaa Euroopan unionin direktiivien ja normien mukaista yhdenmukaista tuotteelle
N erklarer herved folgende samsvar med EU-direktiv og standarder for artikkel
HR zjavljet o soodstvutviu tovara sleduuom direktivama i normam EC
HR izjavljuje slededu uskladjenost s odredbama i normama EU za artiki.
RO declar urmtoarea conformitate cu linia directoare CE i norme valabile pentru articolul.
TR rn ile ilgili olarak AB Yonetmelikleri ve Normları gereince aaıdaki uygunluk aıkla masını sunar.
GR dhlwnei tn aklouti smfonia smfona me tn Ohgia EE kai ta prtupo gia to proiv

I dichiara la seguente conformit secondo la direttiva UE e le norme per l'articolo
SK atesterer folgende overensstemmelse i henhold til EU-direktiv og standarder for produkt
CZ prohlauje nsledujci shodu podle smrnice EU a norem pro vrobek.
H a kvetkez konformitt jelenti ki a termkek-re vonatkoz EU-irnyvonalak s normk szerint
SI pojasnjuje slededo skladnost po smernici EU in normah za artikel.
PL deklaruje zgodnoc wymienionego poniej artykuu z nastpujcymi normami na podstawie dyrektywy WE.
UK vydva nasledujce prehlszenie o zhode poda smernice EU a noriem pre vrobok.
BG dklarira slednoto sotvetstvie sglasno direktivite i normite na ES za produkta.
HR zjavlja pro vdpovdnst zgdno z Direktivnou SS ta standardami, chinimimi dla danogo tovaru
IE deklareerib vastavuse jrgnevatele EL direktiivi dele ja normidele
LT deklaruoja atitikt pagal ES direktyvas ir normas straipsniu
RS izjavljuje slededi konformitet u skladu s odred bom EZ i normama za artiki
LV Atbilstbas sertifikts apliecina zemk minto preu atbilstbu ES direktivm un standartiem
IS Samrmisyfrsing stafestir eftirfarandi samrmi samkvamt reglum Evfrubandalagsins og stdlum fyrir vdur

Table Saw PTS 15/250

<input checked="" type="checkbox"/> 98/37/EC	<input type="checkbox"/> 87/404/EEC
<input checked="" type="checkbox"/> 2006/95/EC	<input type="checkbox"/> R&TTED 1999/5/EC
<input type="checkbox"/> 97/23/EC	<input type="checkbox"/> 2000/14/EG_2005/88/EC:
<input checked="" type="checkbox"/> 2004/108/EC	<input type="checkbox"/> 95/54/EC:
<input type="checkbox"/> 90/396/EEC	<input type="checkbox"/> 97/68/EC:
<input type="checkbox"/> 89/686/EEC	

EN 61029-1; EN 55014-1; EN 55014-2; En 61029-2-1; EN 61000-3-2; EN 61000-3-3; TUV Rheinland Product Safety GmbH; BM 50128952 0001

Landau/Isar, den 13.03.2008

Weichselgartner
General-Manager

Baumstark
Product-Management

Art.-Nr.: 43.406.91 I.-Nr.: 01018
Subject to change without notice

Archivierung: 4340650-10-417740

WARRANTY CERTIFICATE



Year of manufacture: 2008

1500W 10" Table Saw PTS 15/250

Congratulations! You have made an excellent choice with the purchase of this Quality product. Our commitment to quality also includes our service. Should you, contrary to expectations, experience defects due to material or manufacturing faults during private use within 36 months of the date of purchase we shall be liable for warranty in accordance with statutory warranty regulations, provided that:

- The device was not put to any use other than the intended.
- Was not overloaded.
- Was not used with the wrong accessories.
- Repairs were not carried out by any other than the authorised workshop.

The warranty certificate is only valid in connection with the receipt. Please keep both in a safe place. The warranty does not affect your statutory rights.

The product is guaranteed for a period of three years beginning on the day of purchase. Keep your purchase receipt safe as proof of the date of purchase. The guarantee period can only be extended for the duration of any repair required.

During the warranty period, if the item becomes defective, please contact the service helpline. If necessary they will advise on how the product can be returned to us.

Please include the following when sending in your product for repair:

1. The receipt (proof of purchase)
2. This warranty certificate with your name, address, contact details and a fault description completed overleaf.

If the original receipt is not enclosed the repair will be charged for in all cases. After the warranty has expired you can still send defective devices for repairs FREIGHT PREPAID to the address at the end of this booklet. Quotes as well as repairs after warranty period are to be paid for in all cases. Ensure the product is sent well packed as no responsibility can be accepted for items lost or damaged in transit. This warranty does not affect your statutory rights.

Helpline No. UK/Northern Ireland 0151 649 1500 Rep. Ireland 1890 946 244

Web Support: WWW.EINHELL.CO.UK

Model Number: PTS 15/250

GB WARRANTY CERTIFICATE

The product described in these instructions comes with a 3 year warranty covering defects. This 3-year warranty period begins with the passing of risk or when the customer receives the product.

For warranty claims to be accepted, the product has to receive the correct maintenance and be put to the proper use as described in the operating instructions.

Your statutory rights of warranty are naturally unaffected during these 3 years.

This warranty applies in Germany, or in the respective country of the manufacturer's main regional sales partner, as a supplement to local regulations. Please note the details for contacting the customer service center responsible for your region or the service address listed below.

GB Einhell UK Ltd
 Unit 5 Morpeth Wharf
 Twelve Quays
 Birkenhead, Wirral
CH 41 1LF

Helpline-No.: GB 0044 151649 1500
 IRL 189 09 46244



The reprinting or reproduction by any other means, in whole or in part, of documentation and papers accompanying products is permitted only with the express consent of ISC GmbH.

® Technical changes subject to change

Helpline No. UK/Northern Ireland 0151 649 1500 Rep. Ireland 1890 946 244
 Web Support: WWW.EINHELL.CO.UK
 Model Number: PTS 15/250



1500W 10" TABLE SAW

PTS 15/250

If you are requested by the manufacturer to return the item for repair please complete the enclosed section and send it together with your product and your receipt (proof of purchase) to the service address shown below.

Name: _____

Address: _____

Contact Telephone No.: _____

Location of purchase: _____

Fault Description: _____



In order to deal with your enquiry please call our customer helpline on the number shown on this page.

Service:
Einhell UK Ltd
Unit 5 Morpeth Wharf
Twelve Quays
Birkenhead, Wirral
CH 41 1LF

UK / N.IRELAND HELPLINE NO: 0151 649 1500
REP. IRELAND HELPLINE NO: 1890 946 244