

TROUBLESHOOTING

LED lights do not illuminate on charger

Check the charging adaptor is securely plugged into the wall outlet.
Check the battery is firmly connected to the charging cradle.
Check that the charging jack is securely connected to the charging cradle.

Sparking visible through the housing vents

A small amount of sparking may be visible through the housing vents.
This is normal and does not indicate a problem.

Spindle locking button will not depress

The spindle will need to be rotated until the lock can engage. Simply rotate the spindle while applying a small amount of pressure on the spindle lock.

MAINTENANCE

WARNING! ALWAYS ENSURE THE TOOL HAS COMPLETELY STOPPED AND THE BATTERY IS REMOVED PRIOR TO ANY MAINTENANCE.

- After each use, blow air through the tool housing to ensure it is free from all dust, dirt, etc. Build up of dust, dirt particles may cause the tool to overheat and shorten the life of the tool.
- If the housing of the angle grinder requires cleaning, do not use solvents but a moist soft cloth or soft brush only.
- Never let any liquid get inside the tool, never immerse any part of the tool into liquid.
- When not in use, the angle grinder should be stored in a dry, frost free location not within the reach of children.

Note: Ozito Industries will not be responsible for any damage or injuries caused by the repair of the angle grinder by an unauthorised person or by mishandling of the angle grinder.

SERVICE INFORMATION

Please note that the following parts of this product are subject to normal or natural wear and that the following parts are therefore also required for use as consumables.

Category	Example
Wear parts*	Carbon brushes, Battery
Consumables*	Cutting wheels, grinding wheels
Missing parts	

* Not necessarily included in the scope of delivery!

SPARE PARTS

Spare parts can be ordered from the Special Orders Desk at your local Bunnings Warehouse or Homebase store.
For further information, or any parts visit www.ozito-diy.co.uk or contact Ozito Customer Service:
Great Britain: 0151 294 4488
Ireland: 1850 882711
E-mail: info@ozito-diy.co.uk

SOUND & VIBRATION

Sound and vibration values were measured in accordance with EN 60745.

L_{pA} sound pressure level:	76.1 dB
L_{pA} uncertainty:	3 dB
K_{pA} sound power level:	87.1 dB
K_{pA} uncertainty:	3 dB

Wear ear-muffs.

The impact of noise can cause damage to hearing.

Total vibration values (vector sum of three directions) determined in accordance with EN 60745.

Handle

Vibration emission value a_{hv} = 3.1 m/s²
K uncertainty = 1.5 m/s²

Additional handle

Vibration emission value a_h = 2.59 m/s²
K uncertainty = 1.5 m/s²

Keep the noise emissions and vibrations to a minimum.

- Only use appliances which are in perfect working order.
- Service and clean the appliance regularly.
- Adapt your working style to suit the appliance.
- Do not overload the appliance.
- Have the appliance serviced whenever necessary.
- Switch the appliance off when it is not in use.
- Wear protective gloves.



For EU countries only

Never place any electric power tools in your household refuse.

To comply with European Directive 2012/19/EC concerning old electrical and electronic equipment and its implementation in national laws, old electric power tools have to be separated from other waste and disposed of in an environment-friendly fashion, e.g. by taking to a recycling depot.

Recycling alternative to the return request:

As an alternative to returning the equipment to the manufacturer, the owner of the electrical equipment must make sure that the equipment is properly disposed of if he no longer wants to keep the equipment. The old equipment can be returned to a suitable collection point that will dispose of the equipment in accordance with the national recycling and waste disposal regulations. This does not apply to any accessories or aids without electrical components supplied with the old equipment.

The reprinting or reproduction by any other means, in whole or in part, of documentation and papers accompanying products is permitted only with the express consent of the iSC GmbH.

Subject to technical changes

ELECTRICAL SAFETY

WARNING! When using mains-powered tools, basic safety precautions, including the following, should always be followed to reduce risk of fire, electric shock, personal injury and material damage.

Read the whole manual carefully and make sure you know how to switch the tool off in an emergency, before using the tool.

Save these instructions and other documents supplied with this tool for future reference.

Before you connect the charger to the mains supply make sure that the data on the rating plate are identical to the mains data.

This tool's charger is double insulated; therefore no earth wire is required.

If the supply cord is damaged, it must be replaced by an electrician or a power tool repairer in order to avoid a hazard.

Note: Double insulation does not take the place of normal safety precautions when operating this tool. The insulation system is for added protection against injury resulting from a possible electrical insulation failure within the tool.

The power supply for this products charger should be protected by a residual current device (rated at 30mA or less). A residual current device reduces the risk of electric shock.

DECLARATION OF CONFORMITY

ISC GmbH · Eschenstraße 6 · D-94405 Landau/Isar

explains the following conformity according to EU directives and norms for the following product

Cordless Angle Grinder PXAGS-500U (Ozito)

<input type="checkbox"/> 2014/29/EU	<input checked="" type="checkbox"/> 2006/42/EC
<input type="checkbox"/> 2005/32/EC_2009/125/EC	<input type="checkbox"/> Annex IV
<input type="checkbox"/> 2014/35/EU	Notified Body:
<input type="checkbox"/> 2006/28/EC	Reg. No.:
<input checked="" type="checkbox"/> 2014/30/EU	<input type="checkbox"/> 2000/14/EC_2005/88/EC
<input type="checkbox"/> 2014/32/EU	<input type="checkbox"/> Annex V
<input type="checkbox"/> 2014/53/EC	<input type="checkbox"/> Annex VI
<input type="checkbox"/> 2014/68/EU	Noise: measured L_{WA} = dB (A); guaranteed L_{WA} = dB (A)
<input type="checkbox"/> 90/396/EC_2009/142/EC	P = KW; L ₀ D = cm
<input type="checkbox"/> 89/686/EC_96/58/EC	Notified Body:
<input checked="" type="checkbox"/> 2011/65/EU	<input type="checkbox"/> 2012/46/EU
	Emission No.:

Standard references: EN 60745-1; EN 60745-2-3;
EN 55014-1; EN 55014-2

Landau/Isar, den 24.01.2018

Weichselgartner/Geschäftsführer/Manager

Yang/Produkt-Manager

First CE: 17
Art.-No.: 44.311.17 I-No.: 11016
Wiesenberg 22, D-94405 Landau/Isar
Subject to change without notice

Archive-File/Record: NAPR014420
Documents registrar: Alex Kurz
Wiesenberg 22, D-94405 Landau/Isar

GENERAL POWER TOOL SAFETY WARNINGS

DANGER! Read all safety regulations and instructions. Any errors made in following the safety regulations and instructions may result in an electric shock, fire and/or serious injury.
Keep all safety regulations and instructions in a safe place for future use. The term "electric tool" used in the safety instructions refers to electric tools operated from the mains power supply (with a power cable) and to battery-operated electric tools (without a power cable).

- Workplace safety**
 - Keep your work area clean and well illuminated. Untidy or unlit work areas can result in accidents.
 - Do not operate the electric tool in an environment where there is a risk of explosions and where there are inflammable liquids, gases or dust. Electric tools produce sparks which could set the dust or vapours alight.
 - Keep the electric tool out of the reach of children and other persons. If there is a distraction, you may lose control of the appliance.
- Electrical safety**
 - The connector plug from this electric tool must fit into the socket. The plug should never be altered in any way. Never use adapter plugs together with earthed electric tools. Unaltered plugs and correct sockets reduce the risk of an electric shock.
 - Avoid bodily contact with earthed surfaces such as pipes, heating, ovens and fridges. The risk of electric shock is increased if your body is earthed.
 - Keep the tool out of the rain and away from moisture. The ingress of water into an electric tool increases the risk of an electric shock.
 - Do not use the cable to carry the electric tool, to hang it up or to pull it out of the socket. Keep the cable away from heat, oil, sharp edges and moving parts of the appliance. Damaged or entangled cables increase the risk of an electric shock.
 - If you are working outdoors with an electric tool, only use extension cables which are designed specifically for this purpose. Using specially designed outdoor extension cables, the risk of electric shock is reduced.
 - If operation of the electric tool in a damp environment can not be avoided, use an earth-leakage circuit-breaker. The earthleakage circuit-breaker reduces the risk of an electric shock.

3. Safety of persons

Be careful, watch what you are doing and use an electric tool sensibly. Do not use the tool if you are tired or under the influence of drugs, alcohol or medication. A moment of inattention when using the electric tool can result in serious injuries.

Wear personal protection equipment and always wear safety goggles. Wearing personal protection (such as dust masks, non-slip safety shoes, safety helmet or ear protection, depending upon the type and use of the electric tool) reduces the risk of injury.

Make sure that the appliance cannot start up accidentally. Ensure that the electric tool is switched off before you connect it to the power supply and/or insert the battery, or pick up or carry the tool. If you finger is on the switch whilst carrying the electric tool or if you connect the appliance to the mains when it is switched on, this can lead to accidents.

Remove keys and wrenches before switching on the electric tool. A tool or key which comes into contact with rotating parts of the appliance can lead to injuries.

Avoid abnormal working postures. Make sure you stand squarely and keep your balance at all times. In this way, you can control the electric tool better in unexpected circumstances.

Wear suitable work clothes. Do not wear loose clothing or jewellery. Keep hair, clothes and gloves away from moving parts. Loose clothing, jewellery or long hair can get trapped in moving parts.

If vacuuming devices and draining devices can be fitted, make sure that these are correctly attached and correctly used. The use of a dust extraction system can reduce the danger posed by dust.

ANGLE GRINDER SAFETY WARNINGS

WARNING!

This electric tool is designed for use as a grinder/sander and cutting-off machine. Obey all the safety instructions, general instructions, illustrations and data supplied with the tool. If you fail to obey the following instructions, you may suffer an electric shock, fire and/or serious injury.

This electric tool is not designed for sanding, working with wire brushes or polishing. Use of the electric tool in ways it was not intended could lead to dangerous situations and injuries.

Do not use any accessories which have not been designed and recommended by the manufacturer specifically for this electric tool. Just because you can attach an accessory to your electric tool, this does not guarantee that you can use it safely.

The maximum speed of the plug-in tool must be at least as high as the maximum speed specified on the electric tool. Accessories which rotate faster than the maximum speed may break and be catapulted out of the tool.

The external diameter and thickness of the plug-in tool must comply with the dimension specifications of your electric tool. Plug-in tools of the wrong size cannot be adequately screened or checked.

Plug-in tools with thread must fit exactly on the thread of the grinding spindle. In the case of plug-in tools that are flange-fitted, the hole diameter of the plug-in tool must fit the mounting diameter of the flange. Plug-in tools that are not exactly secured to the electric tool will rotate irregularly, vibrate a great deal and might result in you losing control.

Do not use damaged plug-in tools. Before use, check plug-in tools such as grinding/sanding wheels for splintering and cracks, grinding/sanding disks for cracks, wear or heavy wear, and wire brushes for loose or broken wires. If the electric tool or the plug-in tool is dropped, check whether it is damaged or use an undamaged plug-in tool. When you have checked and fitted the plug-in tool, make sure that you and other persons in the vicinity are not on a level with the rotating plug-in tool and allow the electric tool to run for one minute at maximum speed. Damaged plug-in tools will generally break during this test time.

Wear personal protection equipment. Use face guards, eye protection or goggles depending on the application. If reasonable, wear a dust mask, ear protection, safety gloves or special aprons to keep small grinding and material particles away from you. Protect your eyes from flying foreign bodies which may be created by a range of applications. Dust masks or respiration masks must filter the dust generated by the application. If you are exposed to loud noise for a lengthy period of time, you may suffer hearing loss.

Ensure that others keep a safe distance away from where you are working. Anybody who enters the area must wear personal protection equipment. Pieces of the workpiece or broken plug-in tools may be catapulted into the air and cause injuries even outside the immediate vicinity of where you are working.

Hold the tool only by the insulated handles when carrying out work during which the plug-in tool could strike concealed power cables or its own mains lead. Contact with a live cable will also make the metal parts of the tool live and will cause an electric shock.

Keep the power cable away from rotating plug-in tools. If you lose control of the machine, the mains lead may be cut or caught and your hand or arm might be pulled into the rotating plug-in tool.

Never put the electric tool down until the plug-in tool has reached a complete standstill. The rotating plug-in tool may come into contact with the surface on which you place it which could result in you losing control of the electric tool.

Never leave the electric tool running whilst you are carrying it. Your clothing can come into contact with the rotating plug-in tool and the plug-in tool could thus bore into your body.

Clean the ventilation slots on your electric tool at regular intervals. The motor fan draws dust into the housing and a heavy accumulation of metal dust can pose electric risks.

Never use the electric tool in the vicinity of inflammable materials. Sparks may ignite these materials.

Do not use any plug-in tools which require liquid coolant. Use of water or other liquid coolants could result in electric shocks.

Other safety information for all applications

Recall and related safety information
Recall is the sudden reaction as a result of a jammed or blocked rotating plug-in-tool, such as a grinding wheel, grinding disks, wire brushes etc. Jamming or blocking leads to an abrupt stop of the rotating plug-in-tool. This causes acceleration of any uncontrolled electric tools rotating in the opposite direction to the plug-in-tool at the point of blockage.

If for example a grinding wheel gets jammed or blocked by the workpiece, the edge of the grinding wheel could get stuck and the grinding wheel could break free or recoil, if it should come into contact with the workpiece. The grinding wheel moves toward or away from the operator, depending upon the direction of rotation of the disk at the point of blockage. Grinding wheels could also be broken if this occurs.

4. Usage and treatment of the electric tool

a) Do not overload the appliance. Use the correct tool for your work. You will be able to work better and more safely within the given performance boundaries.

b) Do not use an electric tool with a defective switch. An electric tool that cannot be switched on or off is dangerous and must be repaired.

c) Pull the plug out of the socket and/or remove the battery before making any adjustments to the appliance, changing accessories or put the appliance down. This safety measure prevents starting the electric tool unintentionally.

d) Keep unused electric tools out of the reach of children. Do not allow people who are not familiar with the appliance or who have not read these instructions to use the appliance. Electric tools are dangerous if they are used by inexperienced people.

e) Clean your electric tool carefully. Check whether moving parts are functioning properly and not jamming, whether parts are broken or damaged enough that the functioning of this electric tool is affected. Have damaged parts repaired before using the appliance. Many accidents are caused by badly maintained electric tools.

f) Keep your cutting tools sharp and clean. Carefully maintained cutting tools with sharp cutting edges will jam less and are easier to control.

g) Make sure to use electric tools, accessories, attachments, etc. in accordance with these instructions. Take the conditions in your work area and the job in hand into account. Using electric tools for any purpose other than the one for which they are intended can lead to dangerous situations.

5. Using and handling the cordless tool

a) Only charge the batteries in chargers that are recommended by the manufacturer. A charger that is designed for a certain type of battery may pose a fire risk if it is used with other types of battery.

b) Use only the correct batteries in the electric tools. The use of other batteries may result in injuries and a fire risk.

c) Keep unused batteries away from paper clips, coins, keys, nails, screws and other metallic objects that could cause a short circuit between the contacts. A short circuit between the battery contacts may cause burns or a fire.

d) In case of incorrect use, fluid may escape from the battery. Avoid contact with it. If you touch it by accident, rinse the affected area with water. If you get the fluid in your eyes, also seek medical advice. Leaking battery fluid can cause skin irritation or burns.

6. Service

a) Have your electric tool repaired only by trained personnel using only genuine spare parts. This will ensure that your electric tool remains safe to use.

Additional safety instructions We pay a great deal of attention to the design of every battery pack to ensure that we supply you with batteries which feature maximum power density, durability and safety. The battery cells have a wide range of safety devices. Each individual cell is initially formatted and its electrical characteristic curves are recorded. These data are then used exclusively to be able to assemble the best possible battery packs. Despite all the safety precautions, caution must always be exercised when handling batteries. The following points must be obeyed at all times to ensure safe use. Safe use can only be guaranteed if undamaged cells are used. Incorrect handling can cause cell damage.

Important: Analyses confirm that incorrect use and poor care are the main causes of the damage caused by high performance batteries.

Recall is the result of incorrect or wrong use of the electric tool. It can be prevented by suitable precautions, as described below.

a) Hold the electric tool securely and move your body and your arms into a position in which you can absorb the force caused by the recoil. Always use the additional handle (if there is one) to give you the maximum possible control over recoil forces or reaction moments whilst the tool is operating at full speed. The operator can manage the recoil and reaction forces by taking suitable precautions.

b) Never move your hand into the vicinity of rotating plug-in tools. The plug-in tool may catch your hand if it differs recoil.

c) Keep your body out of the area into which the electric tool will be moved if it suffers recoil. Recoil will throw the electric tool into the direction opposite to the grinding/sanding wheel at the point at which it is blocked.

d) Work with particular care around corners, sharp edges, etc. Ensure that the plug-in tool does not bounce off or jam in the workpiece. At corners, sharp edges or if it bounces, the rotating plug-in tool will tend to jam. This will result in loss of control or recoil.

e) Do not use chain saw blades or toothed saw blades. These plug-in tools often cause recoil or loss of control of the electric tool.

Special safety information for grinding/sanding and cutting-off

a) Use only grinding/sanding wheels that have been approved for your electric tool and the safety hood designed for these grinding/sanding wheels. Grinding/sanding wheels which are not designed for the electric tool cannot be shielded adequately and are unsafe.

b) Off set grinding wheels must be fitted such that their grinding face does not project beyond the level of the guard hood edge. An incorrectly fitted grinding wheel that projects beyond the level of the guard hood edge cannot be adequately shielded.

c) The safety hood must be securely fastened to the electric tool and adjusted for maximum safety, i.e. with the smallest possible part of the grinding/sanding wheel facing the operator. The safety hood helps to protect the operator from broken pieces, accidental contact with the cutting-off wheel, and sparks which could ignite clothing.

d) Grinding/sanding wheels may only be used for the applications for which they are recommended. For example: Never grind/sand a side surface area with a cutting off wheel. Cutting off wheels are designed for removing material with the edge of the wheel. Applying lateral force to these cutting off wheels can cause them to break.

e) Always use undamaged clamping flanges of the correct size and shape for the grinding/sanding wheel you have selected. Suitable flanges support the grinding/sanding wheel and thus reduce the risk of the grinding/sanding wheel breaking. Flanges for cutting off wheels may differ from the flanges for other grinding/sanding wheels.

f) Do not use worn grinding/sanding wheels from larger electric tools. Grinding/sanding wheels for larger electric tools are not designed for the higher speeds of smaller electric tools and may break.

Other special safety information for cutting-off wheels

a) Avoid blocking the cutting-off wheel or applying excessive contact pressure. Do not make any excessively deep cuts. Overloading the cutting-off wheel will increase the stress on it and its susceptibility to jam or block and therefore the possibility of recoil or of the grinding wheel breaking.

b) Avoid the area in front of and behind the rotating cutting-off wheel. If you move the cutting-off wheel in the workpiece away from yourself, in the event of recoil the electric tool and the rotating wheel may be catapulted directly towards you.

c) If the cutting-off wheel jams or you interrupt your work, switch off the tool and hold it still until the wheel has reached a complete standstill. Never attempt to pull the cutting-off wheel out of the cut whilst it is still rotating, otherwise it may suffer recoil. Find and rectify the cause of the jam.

d) Do not switch the electric tool on again whilst it is inside the workpiece. Allow the cutting-off disk to reach its full speed before you continue the cut with care. Otherwise the wheel may catch, jump out of the workpiece or cause recoil.

e) Support panels or large workpieces to reduce the risk of recoil by a jammed cutting-off wheel. Large workpieces may sag under their own weight. The workpiece must be supported on both sides of the wheel both near the cut and also at the edge.

f) Be particularly careful with "pocket cuts" in existing walls or in areas which you cannot see clearly. As the cutting-off disk enters the cut it may suffer recoil if it cuts into gas or water pipes, electric cables or other objects.

Do not lose these safety instructions.



18V LITHIUM ION

115MM ANGLE GRINDER

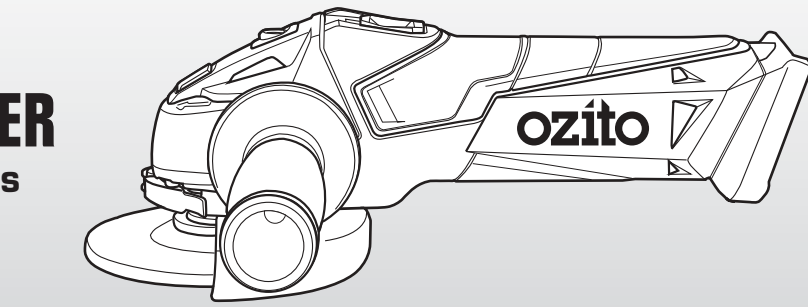
ORIGINAL INSTRUCTIONS

SPECIFICATIONS

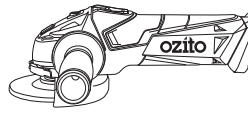
Voltage:	18V
No Load Speed:	8500/min
Disc Diameter:	115mm (4 1/2")
Spindle:	M14
Weight:	1.8kg

ozito-diy.co.uk

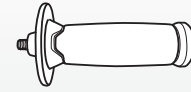
5 YEAR REPLACEMENT WARRANTY



STANDARD EQUIPMENT



Angle Grinder



Side Handle



Safety Guard



Pin Wrench



Grinding Disc

PXAGS-500U

Art.-No.: 44.311.17

I-No.: 11016

WARRANTY

All of our products undergo strict quality checks to ensure that they reach you in perfect condition. In the unlikely event that your device develops a fault, please contact our service department at the address shown on this guarantee card. You can also contact us by telephone using the customer service number shown. Please note the following terms under which guarantee claims can be made:

1. These warranty terms regulate additional warranty services, which the manufacturer mentioned below promises to buyers of its new products in addition to their statutory guarantee claims are not affected by this guarantee. Our guarantee is free of charge to you.

2. The warranty services only covers defects due to material or manufacturing faults on a product which you have bought from the manufacturer mentioned below are limited to either the rectification of said defects on the product or the replacement of the product, whichever we prefer. Please note that our devices are not designed for use in commercial, trade or professional applications. A guarantee contract will not be created if the device has been used by commercial, trade or industrial business or has been exposed to similar stresses during the guarantee period.

CUSTOMER SERVICE HELPLINE
GB: 0151 294 4488
IRL: 1850 882711
Ozito-diy.co.uk

3. The following are not covered by our guarantee:

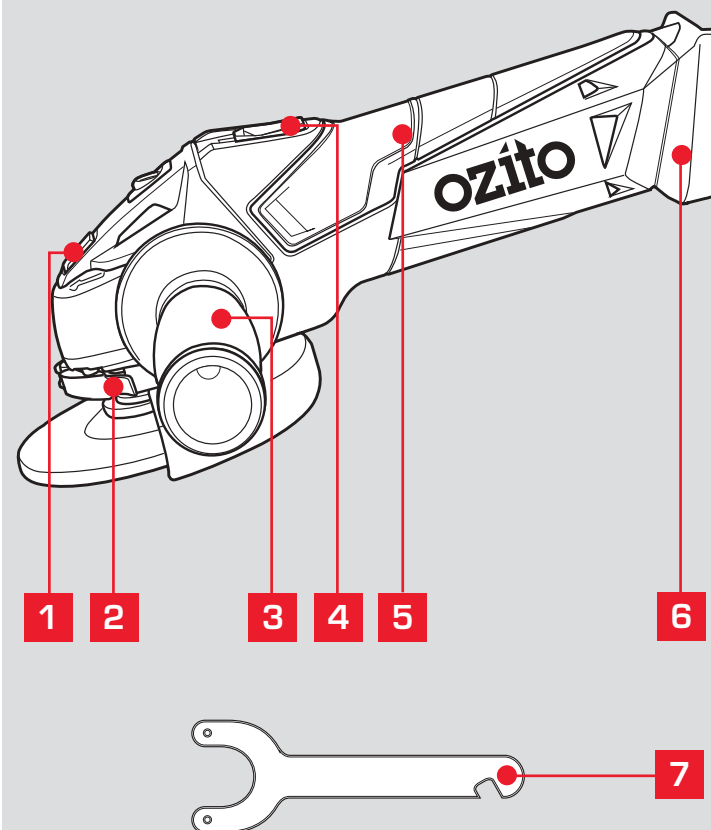
- Damage to the device caused by a failure to follow the assembly instructions or due to incorrect installation, a failure to follow the operating instructions (for example connecting it to an incorrect mains voltage or current type) or a failure to follow the maintenance and safety instructions or by exposing the device to abnormal environmental conditions or by lack of care and maintenance.
- Damage to the device caused by abuse or incorrect use (for example overloading the device or the use of unapproved tools or accessories), ingress of foreign bodies into the device (such as sand, stones or dust, transport damage), the use of force or damage caused by external forces (for example by dropping it).
- Damage to the device or parts of the device caused by normal or natural wear or tear or by normal use of the device.

4. Your Product is guaranteed for a period of 60 months from the original date of purchase and is intended for DIY (Do It Yourself) use only. Lithium Ion batteries and chargers are

KNOW YOUR PRODUCT

CORDLESS ANGLE GRINDER

- | | |
|------------------------|--------------------|
| 1 Spindle Lock | 5 Sure Grip Handle |
| 2 Guard Locking Lever | 6 Battery Seating |
| 3 Side Handle | 7 Pin Wrench |
| 4 Lock On Slide Switch | |



BATTERY & CHARGER

This tool is compatible with all battery and chargers from the Ozito Power X Change Range.

For optimal performance, we recommend the use of a 3.0Ah battery or higher to operate this Power X Change Angle Grinder.

ONLINE MANUAL

Scan this QR Code with your mobile device to take you to the online manual.



SETUP & PREPARATION

1. BEFORE USE

Items Supplied

Please check that the article is complete as specified in the scope of delivery. If parts are missing, please contact our service center or the sales outlet where you made your purchase at the latest within 5 working days after purchasing the product and upon presentation of a valid bill of purchase. Also, refer to the warranty table in the service information at the end of the operating instructions.

- Open the packaging and take out the equipment with care.
- Remove the packaging material and any packaging and/or transportation braces (if available).
- Check to see if all items are supplied.
- Inspect the equipment and accessories for transport damage.
- If possible, please keep the packaging until the end of the guarantee period.

Danger!

The equipment and packaging material are not toys. Do not let children play with plastic bags, foils or small parts. There is a danger of swallowing or suffocating!

Proper Use

The angle grinder is designed for grinding metal and stone when using the appropriate grinding wheel and guard.

Warning! To cut metal and stone the grinder/sander may only be used when the guard (available as an accessory) is mounted.

The equipment is to be used only for its prescribed purpose. Any other use is deemed to be a case of misuse. The user / operator and not the manufacturer will be liable for any damage or injuries of any kind caused as a result of this.

Please note that our equipment has not been designed for use in commercial, trade or industrial applications. Our warranty will be voided if the machine is used in commercial, trade or industrial businesses or for equivalent purposes.

Caution!

Residual risks

Even if you use this electric power tool in accordance with instructions, certain residual risks cannot be ruled out. The following hazards may arise in connection with the equipment's construction and layout:

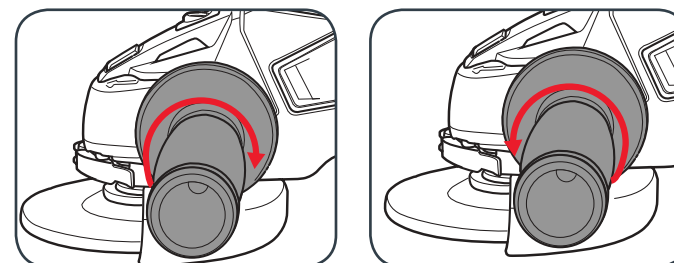
1. Lung damage if no suitable protective dust mask is used.
2. Damage to hearing if no suitable ear protection is used.
3. Health damage caused by hand-arm vibrations if the equipment is used over a prolonged period or is not properly guided and maintained.

2. ASSEMBLY

WARNING! ENSURE THE TOOL IS SWITCHED OFF AND THE BATTERY IS REMOVED BEFORE PERFORMING ANY OF THE FOLLOWING TASKS.

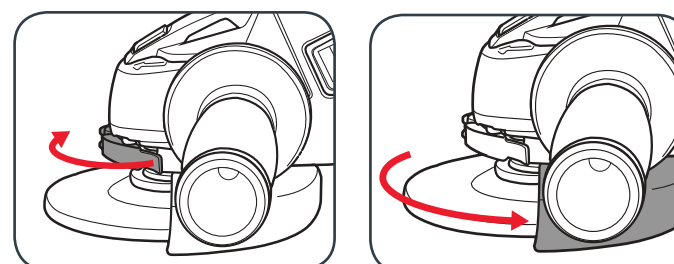
Fitting and Removing the Side Handle

- 1 To fit, screw the side handle clockwise into 1 of 3 handle positions.
- 2 To remove, screw the handle anti-clockwise.



Adjusting the Safety Guard

- 1 Loosen the safety guard locking lever to allow it to spin.
- 2 Rotate the guard into the desired position & secure in place with the locking lever.

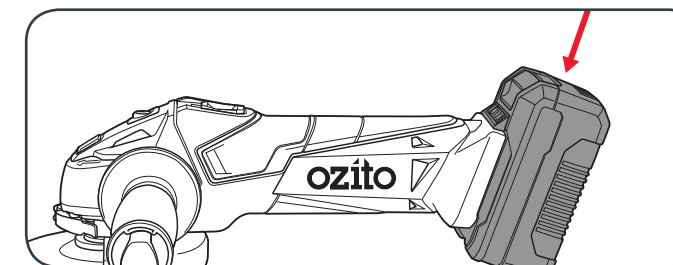


WARNING! DO NOT OPERATE THE ANGLE GRINDER WITHOUT THE SAFETY GUARD FITTED AS POSSIBLE INJURIES COULD OCCUR.

3. FITTING THE BATTERY

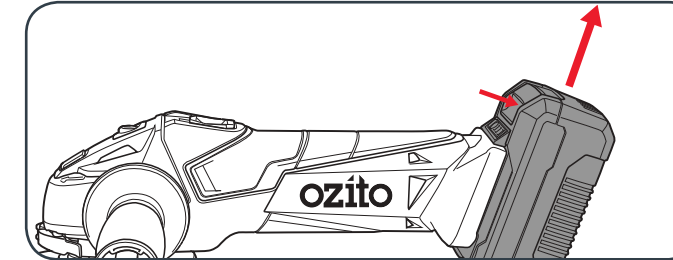
Inserting the Battery

- 1 Align the ribs of the battery with the recess at the back of the angle grinder & push in until it clicks into place.



Removing the Battery

- 1 To remove, press and hold the battery release tab and then slide out.



Battery protection system

The tool is equipped with the battery protection system, which helps to ensure a long service life.

The output power automatically cuts off during operation when the tool and/or battery are placed under the following situations:

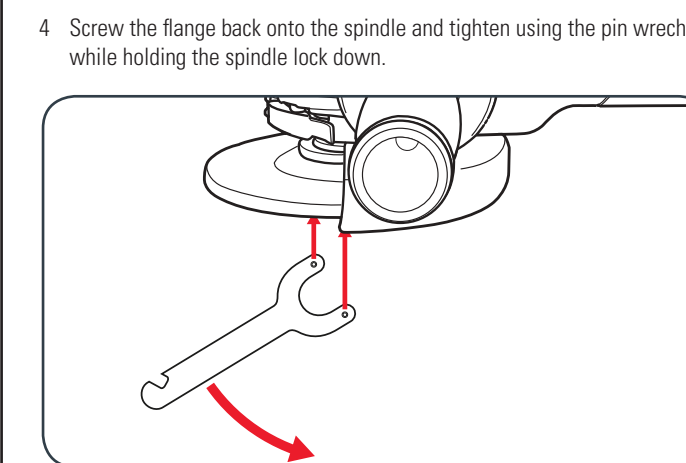
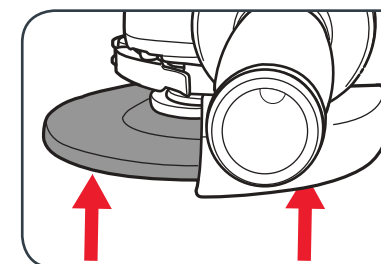
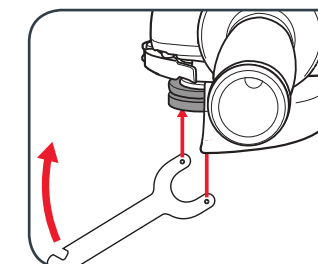
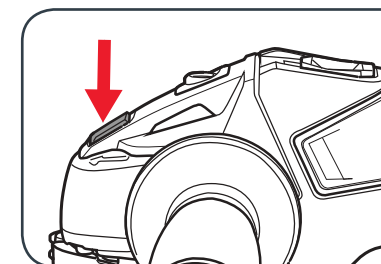
- **When the tool is overloaded:**
If this occurs, release the trigger switch and remove causes of overload, then pull the switch trigger again to restart.
- **When the remaining battery capacity becomes low:**
Recharge the battery pack.

Note: The battery protection system does not in any way damage the tool.

Note: The indicated capacity may be lower than the actual level during use or immediately after using the tool.

4. REPLACING A GRINDING DISC

- 1 Depress and hold the spindle lock to prevent the spindle spinning.
- 2 Using the pin wrench loosen the flange by rotating it anti-clockwise.
- 3 Remove the flange and replace the grinding disc on the spindle.
- 4 Screw the flange back onto the spindle and tighten using the pin wrench while holding the spindle lock down.

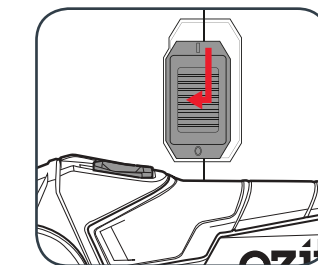
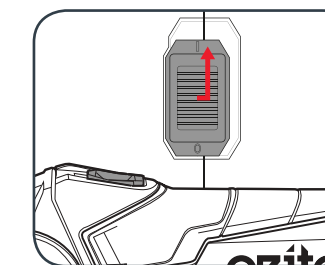


OPERATION

5. GRINDING

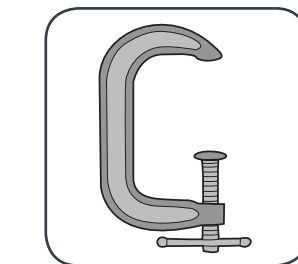
Turning On and Off

- 1 To turn on, slide the lock-on switch across to the right and then forward.
- 2 To turn off, slide the lock-on switch back and to the left.

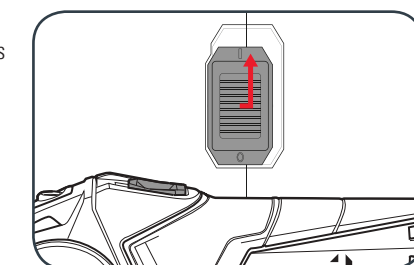


Grinding Procedure

- 1 Ensure the workpiece is securely held down.



- 2 Hold the angle grinder firmly with both handles and switch on.



- 3 Begin grinding your workpiece. The optimum grinding angle is 10-15° to the workpiece.

Note: Do not apply excessive pressure. Allow the tool to do the work, this will prevent deep gouging.

