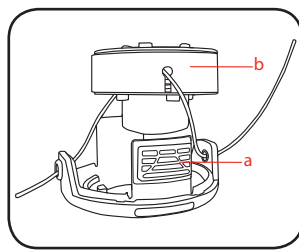


MAINTENANCE

WARNING! ENSURE THE TOOL IS DISCONNECTED FROM THE POWER SUPPLY BEFORE PERFORMING ANY OF THE FOLLOWING OPERATIONS.

Replacing the Spool and Line

- Press the sides of the spool cover (a) and remove the cover.
- Remove the empty line spool (b).
- Thread the ends of the line on the new line spool through the eyelets in the spool cover and allow approx. 10 cm of line to project.
- Fit the spool cover and spool back into the spool mounting.
- When you start the equipment again the line will be cut to the perfect length automatically.



IMPORTANT! BITS OF THE NYLON LINE COULD CAUSE INJURY WHEN BEING FLUNG OUT.

- Keep ventilation slots of the trimmer clean at all times. Periodically clean out the grass from the cutting head and the rim of the cutting guard to ensure efficient operation at all times.
- After each use, blow air through the tool housing to ensure it is free from all dust, dirt, etc. Build up of dust, dirt particles may cause the tool to overheat and shorten the life of the tool.
- If the housing of the trimmer requires cleaning, do not use solvents but a moist soft cloth or soft brush only.
- Never let any liquid get inside the tool, never immerse any part of the tool into liquid.
- No lubrication is necessary as the tool has sealed bearings.
- When not in use, the line trimmer should be stored in a dry, frost free location not within the reach of children.

Note: Ozito Industries will not be responsible for any damage or injuries caused by the repair of the line trimmer by an unauthorised person or by mishandling of the line trimmer. This tool is designed for DIY use - in commercial or industrial environments will void the warranty.

TROUBLESHOOTING

Problem	Cause	Remedy
Grass wraps around the attachment shaft and the trimmer head.	Cutting tall grass at ground level.	Make several passes from top down.

SPARE PARTS

Spare parts can be ordered from the Special Orders Desk at your local Bunnings Warehouse or Homebase store.

For further information, or any parts visit www.ozito-diy.co.uk or contact Ozito Customer Service: Great Britain: 0151 294 4488
Ireland: 1850 882711
E-mail: info@ozito-diy.co.uk

SERVICE INFORMATION

Please note that the following parts of this product are subject to normal or natural wear and that the following parts are therefore also required for use as consumables.

Category	Example
Wear parts*	Line spool holder
Consumables*	Line spool
Missing parts	

* Not necessarily included in the scope of delivery!

In the event of defects or faults, please register the problem on the internet at www.isc-gmbh.info. Please ensure that you provide a precise description of the problem and answer the following questions in all cases:

- Did the equipment work at all or was it defective from the beginning?
- Did you notice anything (symptom or defect) prior to the failure?
- What malfunction does the equipment have in your opinion (main symptom)? Describe this malfunction.

ADDITIONAL INFORMATION

Danger! Sound and vibration

L_{pa} sound pressure level:	81 dB(A)
L_{wa} sound power level:	94 dB(A)
Vibration ah	3.0 m/s ²

Wear ear-muffs.

The impact of noise can cause damage to hearing.

The specified vibration value was established in accordance with a standardized testing method. It may change according to how the electric equipment is used and may exceed the specified value in exceptional circumstances. The specified vibration value can be used to compare the equipment with other electric power tools.

The specified vibration value can be used for initial assessment of a harmful effect.

Keep the noise emissions and vibrations to a minimum.

- Only use appliances which are in perfect working order.
- Service and clean the appliance regularly.
- Adapt your working style to suit the appliance.
- Do not overload the appliance.
- Have the appliance serviced whenever necessary.
- Switch the appliance off when it is not in use.
- Wear protective gloves.



For EU countries only

Never place any electric power tools in your household refuse.

To comply with European Directive 2012/19/EC concerning old electric and electronic equipment and its implementation in national laws, old electric power tools have to be separated from other waste and disposed of in an environment-friendly fashion, e.g. by taking to a recycling depot.

Recycling alternative to the return request:

As an alternative to returning the equipment to the manufacturer, the owner of the electrical equipment must make sure that the equipment is properly disposed of if he no longer wants to keep the equipment. The old equipment can be returned to a suitable collection point that will dispose of the equipment in accordance with the national recycling and waste disposal regulations. This does not apply to any accessories or aids without electrical components supplied with the old equipment.

The reprinting or reproduction by any other means, in whole or in part, of documentation and papers accompanying products is permitted only with the express consent of the ISC GmbH.

Subject to technical changes

DECLARATION OF CONFORMITY

ISC GmbH · Eschenstraße 6 · D-94405 Landau/Isar

explains the following conformity according to EU directives and norms for the following product

Electric Line Trimmer LTR-3725U (Ozito)	
<input type="checkbox"/> 2014/29/EU	<input checked="" type="checkbox"/> 2006/42/EC
<input checked="" type="checkbox"/> 2005/32/EC, 2009/125/EC	<input type="checkbox"/> Annex IV
<input type="checkbox"/> 2014/35/EU	Notified Body No.:
<input type="checkbox"/> 2006/28/EC	Reg. No.:
<input checked="" type="checkbox"/> 2014/30/EU	<input checked="" type="checkbox"/> 2000/14/EC, 2005/88/EC
<input type="checkbox"/> 2014/32/EU	<input type="checkbox"/> Annex V
<input type="checkbox"/> 2014/53/EC	<input checked="" type="checkbox"/> Annex VI
<input type="checkbox"/> 2014/68/EU	Noise (measured L_{wa} = 92.7 dB (A); guaranteed L_{wa} = 94 dB (A))
<input checked="" type="checkbox"/> 90/396/EC, 2009/142/EC	P = 0.37 kW, LID = 25 cm
<input checked="" type="checkbox"/> 89/686/EC, 96/58/EC	Notified Body: Intertek Testing & Certification LTD (NB0359)
<input checked="" type="checkbox"/> 2011/65/EU	<input type="checkbox"/> 2012/46/EU
	Emission No.:

Standard references: EN 60335-1; EN 50636-2-91; EN 62233; EN 55014-1; EN 55014-2; EN 61000-3-2; EN 61000-3-3

Landau/Isar, den 08.12.2017

Weschungsmann/Global-Manager
Weschungsmann/Global-Manager
Archiv-File/Resourd-NAPR018/094
Documents registrar: Alex Kurz
Wiesengweg 22, D-94405 Landau/Isar

First CE-17
Art.No.: 30.002.62 I-No.: 11017
Subject to change without notice

DESCRIPTION OF SYMBOLS

V	Volts	Hz	Hertz
~	Alternating current	W	Watts
/min	Revolutions or reciprocation per minute	no	No load speed
	Warning!		Safety class II
	Read the instruction manual before starting!		Wear eye protection and ear plugs!
	Protect from moisture		Decibel level
	Pull out the mains plug before checking a damaged power cable!		
	Keep other people out of the danger area!		
	The equipment continues to rotate!		

ELECTRICAL SAFETY

WARNING! When using mains-powered tools, basic safety precautions, including the following, should always be followed to reduce risk of fire, electric shock, personal injury and material damage.
Read the whole manual carefully and make sure you know how to switch the tool off in an emergency, before operating the tool.

Save these instructions and other documents supplied with this tool for future reference. Before you connect the equipment to the mains supply make sure that the data on the rating plate are identical to the mains data.

This tool is double insulated therefore no earth wire is required.

GENERAL POWER TOOL SAFETY WARNINGS

WARNING! Read all safety warnings, instructions, illustrations and specifications provided with this power tool. Failure to follow the warnings and instructions may result in electric shock, fire and/or serious injury.

Save all warnings and instructions for future reference. The term "power tool" in the warnings refers to your mains-operated (corded) power tool or battery-operated (cordless) power tool.

- Work area safety
 - Keep work area clean and well lit. Cluttered or dark areas invite accidents.
 - Do not operate power tools in explosive atmospheres, such as in the presence of flammable liquids, gases or dust. Power tools create sparks which may ignite the dust or fumes.
 - Keep children and bystanders away while operating a power tool. Distractions can cause you to lose control.
- Electrical safety
 - Power tool plugs must match the outlet. Never modify the plug in any way. Do not use any adapter plugs with earthed (grounded) power tools. Unmodified plugs and matching outlets will reduce risk of electric shock.
 - Avoid body contact with earthed or grounded surfaces, such as pipes, radiators, ranges and refrigerators. There is an increased risk of electric shock if your body is earthed or grounded.
 - Do not expose power tools to rain or wet conditions. Water entering a power tool will increase the risk of electric shock.
 - Do not abuse the cord. Never use the cord for carrying, pulling or unplugging the power tool. Keep cord away from heat, oil, sharp edges or moving parts. Damaged or entangled cords increase the risk of electric shock.
 - When operating a power tool outdoors, use an extension cord suitable for outdoor use. Use of a cord suitable for outdoor use reduces the risk of electric shock.
 - If operating a power tool in a damp location is unavoidable, use a residual current device (RCD) protected supply. Use of an RCD reduces the risk of electric shock.
- Personal safety
 - Stay alert, watch what you are doing and use common sense when operating a power tool. Do not use a power tool while you are tired or under the influence of drugs, alcohol or medication. A moment of inattention while operating power tools may result in serious personal injury.
 - Use personal protective equipment. Always wear eye protection. Protective equipment such as dust mask, non-skid safety shoes, hard hat, or hearing protection used for appropriate conditions will reduce personal injuries.
 - Prevent unintentional starting. Ensure the switch is in the off-position before connecting to power source and/or battery pack, picking up or carrying the tool. Carrying power tools with your finger on the switch or energising power tools that have the switch on invites accidents.

LINE TRIMMER SAFETY WARNINGS

Read the complete operating manual with due care.

Acquaint yourself with the controls and how to use the tool.

This appliance is not intended for use by persons (including children) with reduced physical, sensory or mental capabilities, or lack of experience and knowledge, unless they have been given supervision or instruction concerning use of the appliance by a person responsible for their safety. Children should be supervised to ensure that they do not play with the appliance.

Important! For safety reasons the grass trimmer is not to be used by children, young people under 16 years of age, or any other persons who are not acquainted with these directions for use. Keep the instruction manual in a safe place for later use.

- Examine the grass trimmer each time before you use it. Do not use the trimmer if any safety devices are damaged or worn.
- Never put safety devices out of operation.
- Do not use the grass trimmer if the cables are damaged or worn.
- Stop using the equipment when there are people, particularly children - or pets nearby.
- Use the grass trimmer only for the purpose specified in these instructions.
- You are responsible for safety in your work area.
- Inspect the items you want to cut before starting to work. Remove any foreign objects you find. Watch out for foreign objects you work. If you still hit upon an obstacle while cutting, turn off the grass trimmer and remove the obstacle.
- Work only in good visibility.
- Always make sure of your footing while working. Be careful when stepping backwards. Risk of stumbling!
- Never leave the grass trimmer unattended at your work place. Store the trimmer in a safe place during interruptions.
- If you interrupt your work to move to a different position it is imperative to switch off the grass trimmer while you are moving there.
- Never use the grass trimmer in the rain or in moist or wet conditions.
- Protect the grass trimmer from the damp and rain.
- Before you switch on the grass trimmer, make sure that there are no stones or other objects touching the nylon line.
- Always wear suitable clothing to protect your head, hands and feet from injury. Wear a helmet, goggles or visor, high boots or strong shoes, long trousers made of tough material, and work gloves.
- Be sure to hold the grass trimmer away from your body when it is switched on!
- If the grass trimmer is turned over or if it is not in working position, do not switch it on.
- Switch off the motor and pull out the power plug when you are not using the grass trimmer, when you leave the trimmer unattended, when you are checking the trimmer, if the power cable is damaged, when you want to remove and replace the spool, and when you are moving the trimmer to another location.
- Keep the grass trimmer away from other persons, particularly children and pets. There may be stones and other objects in the flying out grass.
- Keep at least 5 m away from other persons and animals when you are working with the grass trimmer.
- To prevent injury to yourself and damage to the grass trimmer, never cut against hard objects.
- Use the edge of the guard to keep the grass trimmer away from walls, changes of surface and fragile objects.
- Never use the grass trimmer without a guard.

CAUTION! The guard is vital for your safety and for the safety of others, and it is also essential for the grass trimmer to work correctly. Failure to observe this instruction will not only create a potential hazard, it will also result in the loss of your rights under the warranty.

- Never try to stop the cutter (nylon line) with your hands. Wait until it stops by itself.
- It is imperative to use only the original nylon line. Never use metal wire instead of the nylon line.
- Beware of injuring yourself on the line cutting device.

If the supply cord is damaged, it must be replaced by an electrician or a power tool repairer in order to avoid a hazard.

Note: Double insulation does not take the place of normal safety precautions when operating this tool. The insulation system is for added protection against injury resulting from a possible electrical insulation failure within the tool.

Using an Extension Lead
Always use an approved extension lead suitable for the power input of this tool. Before use, inspect the extension lead for signs of damage, wear and ageing. Replace the extension lead if damaged or defective. When using an extension lead on a reel, always unwind the lead completely. Use of an extension lead not suitable for the power input of the tool or which is damaged or defective may result in a risk of fire and electric shock.

- Remove any adjusting key or wrench before turning the power tool on. A wrench or a key left attached to a rotating part of the power tool may result in personal injury.
- Do not overreach. Keep proper footing and balance at all times. This enables better control of the power tool in unexpected situations.
- Dress properly. Do not wear loose clothing or jewellery. Keep your hair, clothing and gloves away from moving parts. Loose clothes, jewellery or long hair can be caught in moving parts.
- If devices are provided for the connection of dust extraction and collection facilities, ensure these are connected and properly used. Use of dust collection can reduce dust-related hazards.
- Do not let familiarity gained from frequent use of tools allow you to become complacent and ignore tool safety principles. A careless action can cause severe injury within a fraction of a second.
- Power tool use and care
 - Do not force the power tool. Use the correct power tool for your application. The correct power tool will do the job better and safer at the rate for which it was designed.
 - Do not use the power tool if the switch does not turn it on and off. Any power tool that cannot be controlled with the switch is dangerous and must be repaired.
 - Disconnect the plug from the power source and/or remove the battery pack, if detachable, from the power tool before making any adjustments, changing accessories, or storing power tools. Such preventive safety measures reduce the risk of starting the power tool accidentally.
 - Store idle power tools out of the reach of children and do not allow persons unfamiliar with the power tool or these instructions to operate the power tool. Power tools are dangerous in the hands of untrained users.
 - Maintain power tools and accessories. Check for misalignment or binding of moving parts, breakage of parts and any other condition that may affect the power tool's operation. If damaged, have the power tool repaired before use. Many accidents are caused by poorly maintained power tools.
 - Keep cutting tools sharp and clean. Properly maintained cutting tools with sharp cutting edges are less likely to bind and are easier to control.
 - Use the power tool, accessories and tool bits etc. in accordance with these instructions, taking into account the working conditions and the work to be performed. Use of the power tool for operations different from those intended could result in a hazardous situation.
 - Keep handles and grasping surfaces dry, clean and free from oil and grease. Slippery handles and grasping surfaces do not allow for safe handling and control of the tool in unexpected situations.
- Service
 - Have your power tool serviced by a qualified repair person using only identical replacement parts. This will ensure that the safety of the power tool is maintained.

- Keep the air vents clear of dirt.
- After use, unplug the machine and check it for damage.
- Never attempt to cut grass that is not growing on the ground. For example, do not try to cut grass growing on walls, rocks, etc.
- Within the working radius of the grass trimmer the user is responsible for any damage caused to third persons by use of the trimmer.
- Never cross roads or pebble paths with the grass trimmer switched on.
- When you are not using the grass trimmer, keep it in a dry place out of the reach of children.
- Use the grass trimmer only as described in these directions for use and always hold it vertical to the ground. All other positions are dangerous.
- Check the screws regularly to see that they are properly tightened.
- The mains voltage must be the same as the voltage specified on the rating plate.
- Check the power cable regularly for signs of damage or aging. Never use the grass trimmer if the power cable is in less than perfect condition.
- Power cables used with the trimmer must not be of a lighter duty class than H07RN-F rubber insulated flexible cables according to DIN 57252 / VDE 0282, with a minimum diameter of 1.5 mm². Plug connectors must be equipped with earthing contacts and the coupling must be rain-water protected.
- If the cable is damaged during operation, disconnect it immediately from the power supply. DO NOT TOUCH THE CABLE BEFORE IT IS DISCONNECTED FROM THE POWER SUPPLY.
- To prevent danger, damaged power cables must be replaced by the manufacturer or by a service company authorized by the manufacturer to carry out the work.
- The equipment may only be powered via an earth-leakage circuit breaker (RCD) with a maximum operating current of 30 mA.
- Keep cables and other objects out of the area you want to cut.
- If you have to lift the grass trimmer to move it, switch off the motor and wait for the rotating tool to stop. Before you leave the trimmer, switch off the motor and pull out the power plug.
- Before you connect the grass trimmer to the power supply, make sure that none of its moving parts are damaged and that the line spool is correctly inserted and fastened.
- Never cut against hard objects when using the grass trimmer. This is imperative to avoid causing injury to the user and damage to the trimmer.
- Use only original replacement parts for repair and maintenance purposes.
- Have repairs carried out only by a qualified electrician.
- Examine the grass trimmer for signs of wear or damage each time before you use it and after any collisions. Have essential repairs carried out without delay.
- Always keep your hands and feet away from the cutting mechanism, particularly when you switch on the trimmer.
- After pulling out new line, always return the trimmer to normal working position before you switch it on again.
- Never use replacement parts or accessories which are not foreseen or recommended by the manufacturer.
- Pull out the power plug before carrying out any inspection, cleaning or other work on the trimmer and whenever it is not being used.
- Use the equipment only in broad daylight or in well-lit conditions.
- Keep the extension cable away from cutting tools at all times.

Important: The nylon line continues to rotate for a few seconds after the motor is switched off.



The equipment does not start.

ozito

LINE TRIMMER

370W 250mm

ORIGINAL INSTRUCTIONS

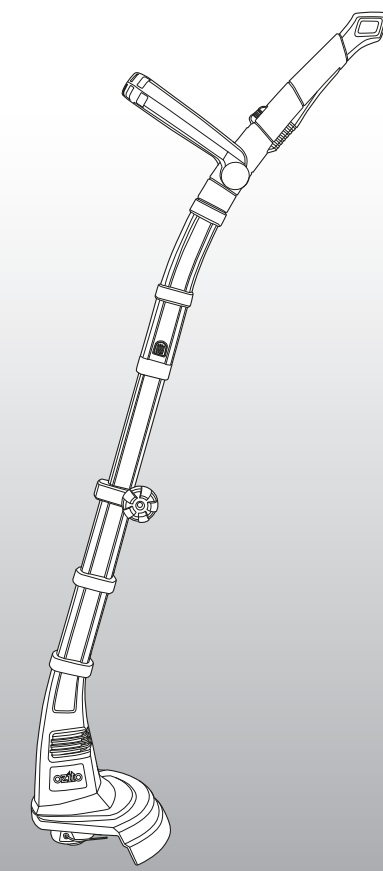
SPECIFICATIONS

Power:	370W
No Load Speed:	12,000/min
Cutting Diameter:	250mm
Line Diameter:	1.2mm
Line Feed:	Bump
Protection Class:	II
Weight:	2.3kg

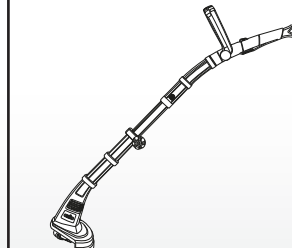
ozito-diy.co.uk



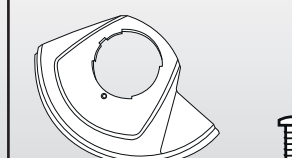
3 YEAR REPLACEMENT WARRANTY



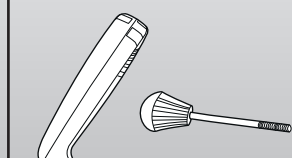
WHAT'S IN THE BOX



Line Trimmer



Safety Guard & Screw



Adjustable Handle & Securing Bolt

LTR-3725U

WARRANTY

All of our products undergo strict quality checks to ensure that they reach you in perfect condition. In the unlikely event that your device develops a fault, please contact our service department at the address shown on this guarantee card. You can also contact us by telephone using the customer service number shown. Please note the following terms under which guarantee claims can be made:

1. These warranty terms regulate additional warranty services, which the manufacturer mentioned below promises to buyers of its new products in addition to their statutory guarantee claims are not affected by this guarantee. Our guarantee is free of charge to you.

2. The warranty services only covers defects due to material or manufacturing faults on a product which you have bought from the manufacturer mentioned below are limited to either the rectification of said defects on the product or the replacement of the product, whichever we prefer. Please note that our devices are not designed for use in commercial, trade or professional applications. A guarantee contract will not be created if the device has been used by commercial, trade or industrial business or has been exposed to similar stresses during the guarantee period.

3. The following are not covered by our guarantee:
- Damage to the device caused by a failure to follow the assembly instructions or due to incorrect installation, a failure to follow the operating instructions (for example connecting it to an incorrect mains voltage or current type) or a failure to follow the maintenance and safety instructions or by exposing the device to abnormal environmental conditions or by lack of care and maintenance.
- Damage to the device caused by abuse or incorrect use (for example overloading the device or the use of unapproved tools or accessories), ingress of foreign bodies into the device (such as sand, stones or dust, transport damage), the use of force or damage caused by external forces (for example by dropping it).
- Damage to the device or parts of the device caused by normal or natural wear or tear or by normal use of the device.

4. Your Product is guaranteed for a period of 36 months from the original date of purchase and is intended for DIY (Do It Yourself) use only. Warranty excludes consumable parts. Guarantee claims should be submitted before the end of the guarantee period within two weeks of the defect being noticed. No guarantee claims will be accepted after the end of the guarantee period. The original guarantee period remains applicable to the device even if repairs are carried out or parts are replaced. In such cases, the work performed or parts fitted will not result in an extension of the guarantee period, and no new guarantee will become active for the work performed or parts fitted. This also applies if an on-site service is used.

IN ORDER TO MAKE A CLAIM UNDER THIS WARRANTY YOU MUST RETURN THE PRODUCT TO THE PLACE OF PURCHASE WITH YOUR REGISTER RECEIPT.

Please refer to the restrictions of this warranty concerning wearing parts, consumables and missing parts as set out in the service information in these operating instructions.

CUSTOMER SERVICE HELPLINE

GB: 0151 294 4488

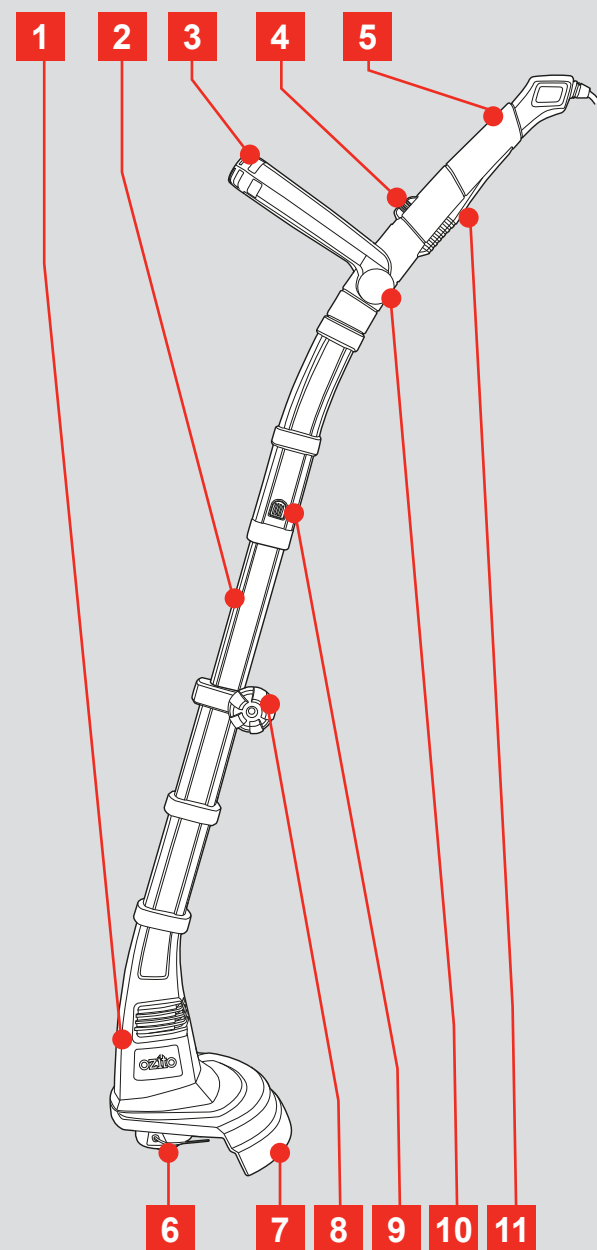
IRL: 1850 882711

Ozito-diy.co.uk

KNOW YOUR PRODUCT

LINE TRIMMER

- | | |
|----------------------------|--------------------------|
| 1. Motor Housing | 7. Cutting Guard |
| 2. Telescopic Shaft | 8. Telescopic Shaft Lock |
| 3. Adjustable Front Handle | 9. Split Shaft Release |
| 4. Safety Switch | 10. Securing Bolt |
| 5. Main Handle | 11. On/Off Switch |
| 6. Cutter Head | |



ONLINE MANUAL

Scan this QR Code with your mobile device to take you to the online manual.



SETUP & PREPARATION

1. BEFORE USE

Items Supplied

Please check that the article is complete as specified in the scope of delivery. If parts are missing, please contact our service centre or the sales outlet where you made your purchase at the latest within 5 working days after purchasing the product and upon presentation of a valid bill of purchase. Also, refer to the warranty table in the service information at the end of the operating instructions.

- Open the packaging and take out the equipment with care.
- Remove the packaging material and any packaging and/or transportation braces (if available).
- Check to see if all items are supplied.
- Inspect the equipment and accessories for transport damage.
- If possible, please keep the packaging until the end of the guarantee period.

Danger!

The equipment and packaging material are not toys. Do not let children play with plastic bags, foils or small parts. There is a danger of swallowing or suffocating!

Proper Use

The equipment is designed for cutting lawns and small areas of grass in private and hobby gardens.

Equipment designed for use in private and hobby gardens is regarded as unsuitable for use in public facilities, parks and sports centres, along roadways, or in agriculture and forestry. The operating instructions as supplied by the manufacturer must be kept and referred to in order to ensure that the equipment is properly used and maintained.

Important. This equipment must not be used for composting purposes (shredding) as this could result in injury or damage to property.

The equipment is to be used only for its prescribed purpose. Any other use is deemed to be a case of misuse. The user / operator and not the manufacturer will be liable for any damage or injuries of any kind caused as a result of this.

Please note that our equipment has not been designed for use in commercial, trade or industrial applications. Our warranty will be voided if the machine is used in commercial, trade or industrial businesses or for equivalent purposes.

Caution! Residual risks

Even if you use this electric power tool in accordance with instructions, certain residual risks cannot be ruled out. The following hazards may arise in connection with the equipment's construction and layout:

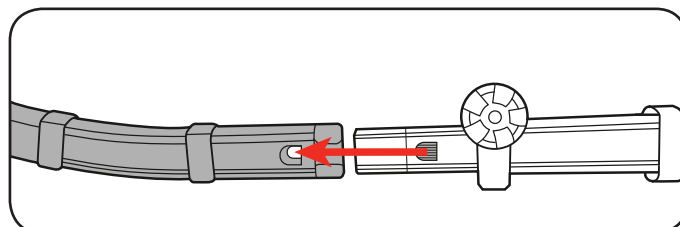
1. Lung damage if no suitable protective dust mask is used.
2. Damage to hearing if no suitable ear protection is used.
3. Health damage caused by hand-arm vibrations if the equipment is used over a prolonged period or is not properly guided and maintained.

2. ASSEMBLY

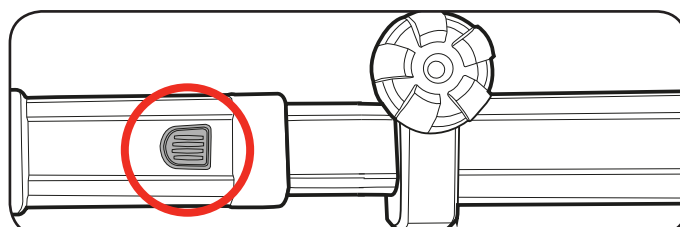
WARNING! ENSURE THE TOOL IS DISCONNECTED FROM THE POWER SUPPLY BEFORE PERFORMING ANY OF THE FOLLOWING OPERATIONS.

Split Shaft Assembly

1. Align the two halves of the split shaft.

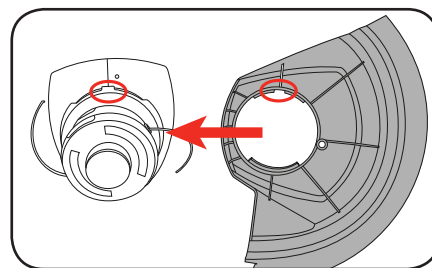


2. Push the two halves together until the split shaft release button is securely engaged.

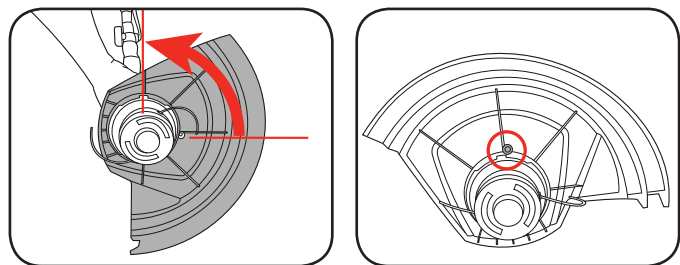


Fitting the Safety Guard

1. Turn the trimmer upside down and place the safety guard over the cutting head. Aligning the slot in the guard with the tab on the cutting head.



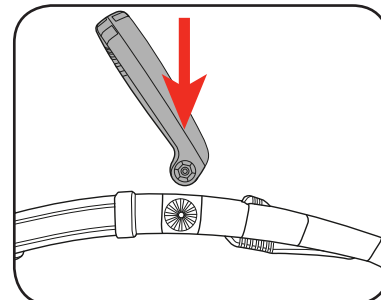
2. Rotate the safety guard 90 degrees until the safety guard locks onto the cutting head.
3. Secure in place with the screw provided.



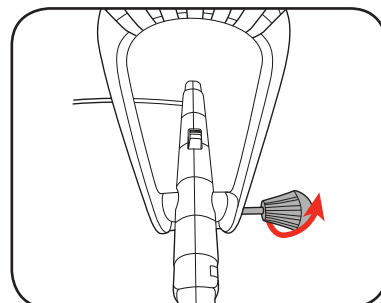
WARNING! NEVER USE THE LINE TRIMMER UNLESS THE SAFETY GUARD IS PROPERLY FITTED AND SECURED.

Fitting the Secondary Handle

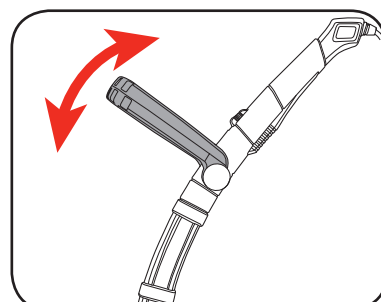
1. Place the adjustable handle onto the line trimmer so that the holes align.



2. Screw the securing bolt through the handle loosely to allow adjustment.



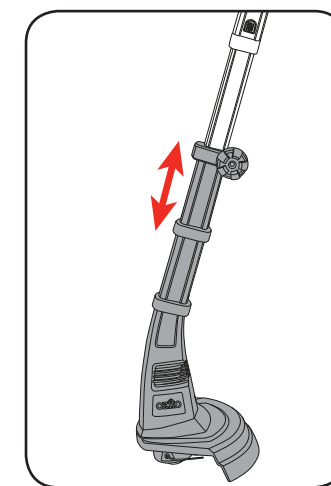
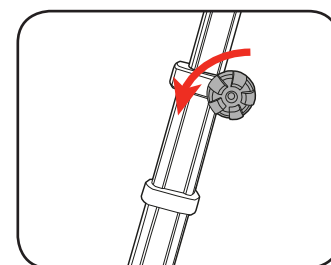
3. Rotate the handle into the most comfortable position and then tighten in place.



3. ADJUSTMENTS

Adjusting the Working Height

1. Loosen the telescopic shaft lock knob.
2. Adjust up or down to the appropriate height.

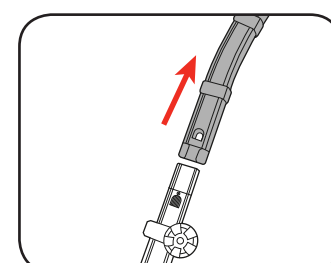
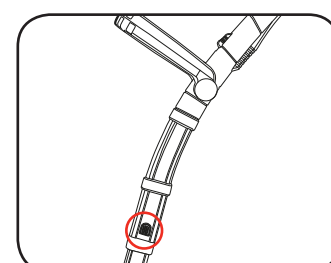


3. Tighten the telescopic shaft lock knob once adjustment is complete.

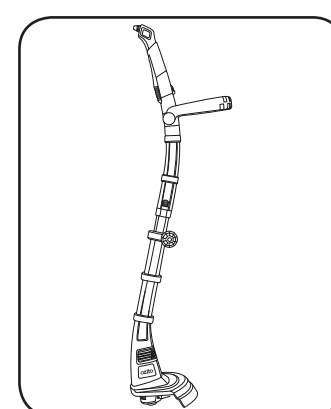
Rotating the Main Handle

By rotating the main handle the line trimmer can cut the edges of lawns and flower beds.

1. Press the split shaft release on both sides of the line trimmer and separate both halves.



2. Rotate main handle 180 degrees.



3. Re-attach the two halves together until the split shaft release button is securely engaged.

OPERATION

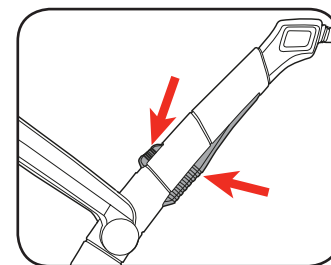
4. CONTROLS

CAUTION! TO REDUCE THE RISK OF ELECTRICAL SHOCK, A RESIDUAL CURRENT DEVICE (RATED 30mA OR LESS) SHOULD BE USED.

Switching On and Off

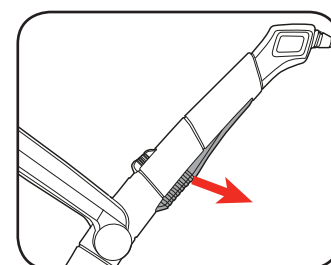
For your safety this Line Trimmer is designed with a safety lock off mechanism. This prevents accidental starting. If you only squeeze the on/off trigger the Line Trimmer will not start.

1. Push the safety switch with your thumb and then squeeze the on/off switch with your fingers.



Once the tool is running, you can release the safety switch.

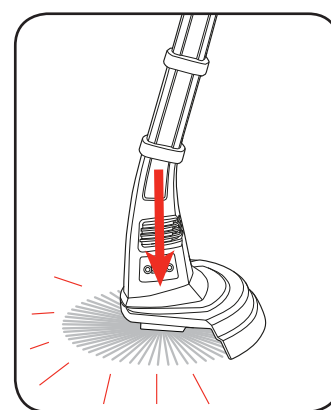
2. To turn off release the on/off switch..



WARNING! THE LINE TRIMMER MAY RUN FOR A FEW SECONDS AFTER IT HAS BEEN SWITCHED OFF. LET THE MOTOR COME TO A COMPLETE STANDSTILL BEFORE SETTING THE TOOL DOWN.

Extending the Cutting Line

To extend the cutting line, run the motor at full speed and tap the cutting head on the ground. This will automatically extend the line. The line cutter on the cutting guard will cut the line to the appropriate length.



NOTE: Do not hit the cutting head on concrete or hard surfaces as this may result in damage to the spool or cutting head. If the line does not feed check that the line is not jammed.

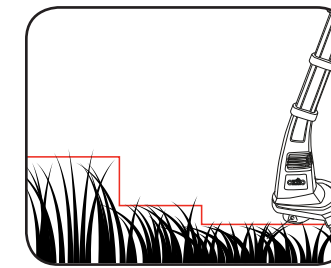
5. USING THE LINE TRIMMER

WARNING! MAKE SURE THAT THE WORK AREA IS FREE OF ROCKS, DEBRIS, LINES AND OTHER FOREIGN OBJECTS.

Using the Line Trimmer

CAUTION! DO NOT CONTINUALLY TAP, BUMP OR HOLD THE CUTTING HEAD ON THE GROUND AS THIS MAY RESULT IN DAMAGE TO THE SPOOL HOLDER OR OVERLOAD THE UNIT.

1. Wear eye protection and stout shoes at all times while operating the line trimmer.
2. Start cutting nearest the mains power source and work away to make it easier to avoid the power cord.
3. Do not push the line against hard material (rocks or concrete) during cutting as this may result in damaged line.
4. Never use the line trimmer without its safety devices.
5. Do not cut grass that is wet (The best results are achieved on dry grass).
6. Wait until the line trimmer reaches full speed before cutting the grass
7. Keep the line trimmer away from hard objects in order to avoid unnecessary wear to the line.
8. Several passes will be required to cut long grass.

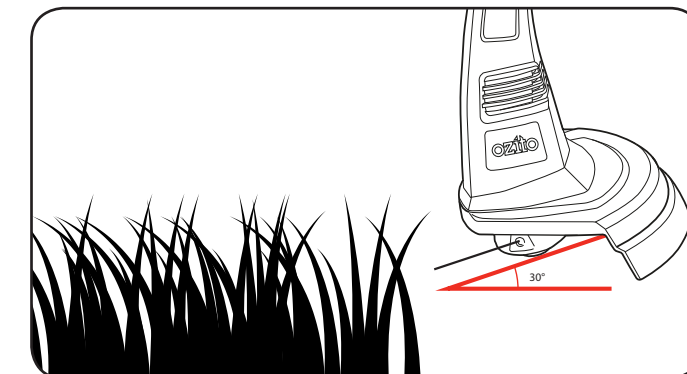
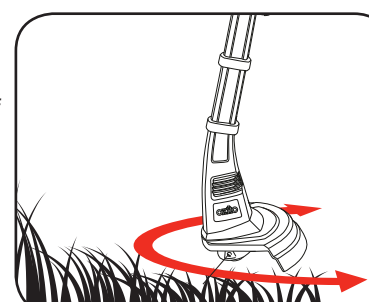


9. To prevent the line from breaking ensure you approach the edge/object slowly.
10. Watch out for kickbacks in the event of impact with hard objects

NOTE: DO NOT CUT GRASS WHEN WET. (THE BEST RESULTS ARE ACHIEVED ON DRY GRASS.)

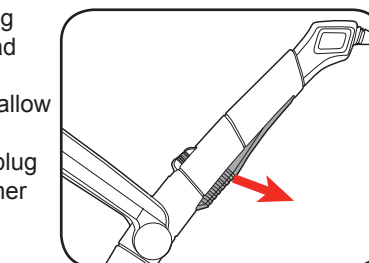
11. Keep ventilation slots of the trimmer clean at all times. Periodically clean out the grass from the cutting head and the rim of the cutting guard to ensure efficient operation at all times.

12. Move the line trimmer from side to side as you walk forward, holding it at an angle of approx. 30° (Light cuts are better than heavy cuts as they allow the cut grass to fall away from the cutting head).



NOTE: IF THE MOTOR STARTS TO SLOW DOWN, REDUCE THE CUTTING LOAD.

13. After finishing the cutting operation, keep the head close to ground level, release the switch and allow the motor to come to a complete standstill. Unplug and place the line trimmer on the ground.



NOTE: BEFORE STORING FEED EXTRA CUTTING LINE TO AVOID LOOSING THE LINE COMPLETELY.

3 YEAR REPLACEMENT WARRANTY