



**TC-AC 200/24/8 OF Kit**

---

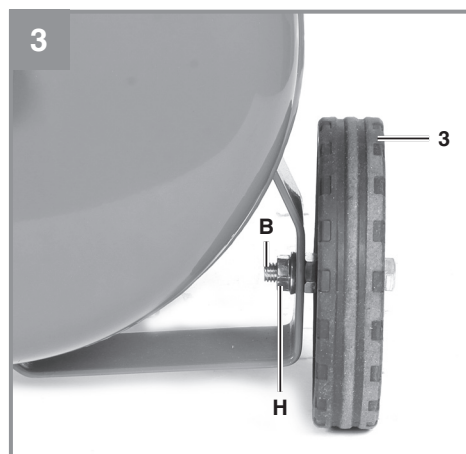
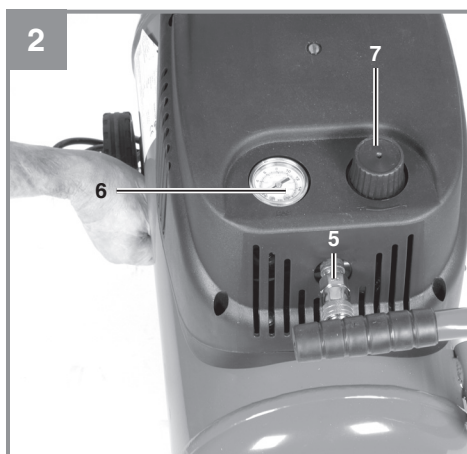
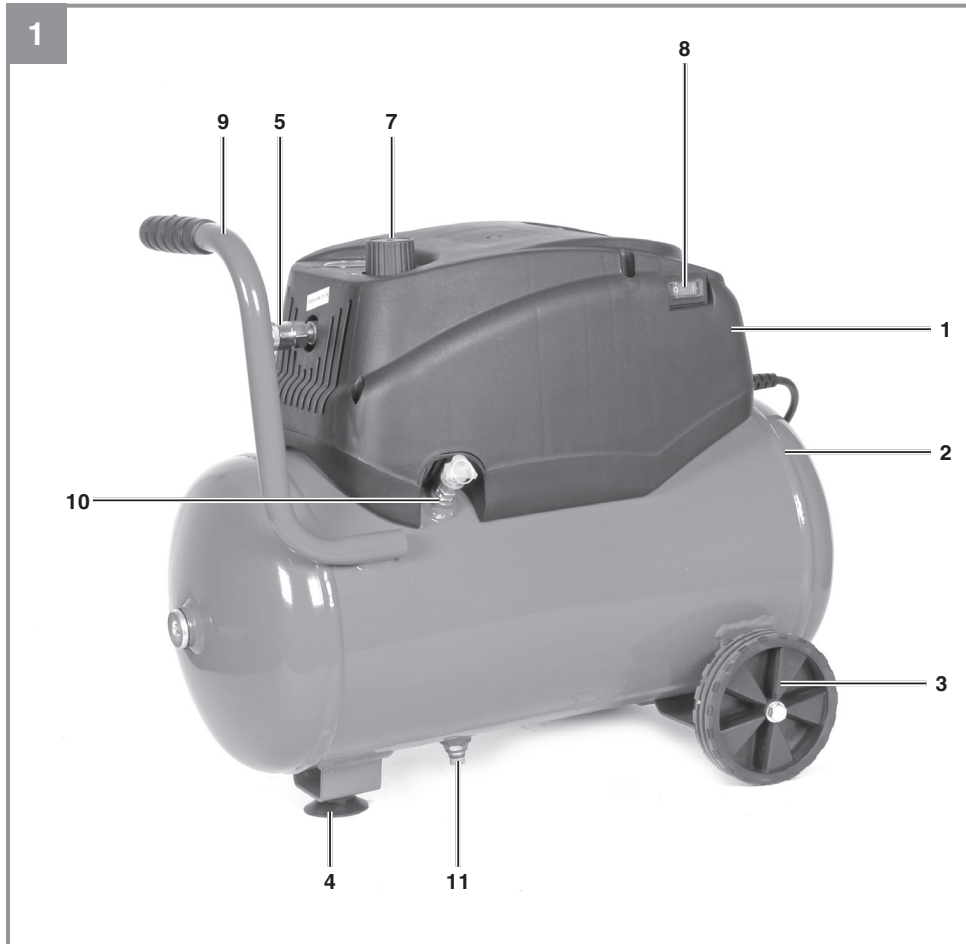
**GB Original operating instructions  
Air Compressor**

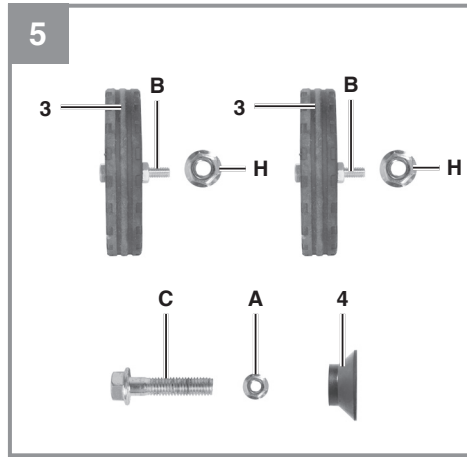
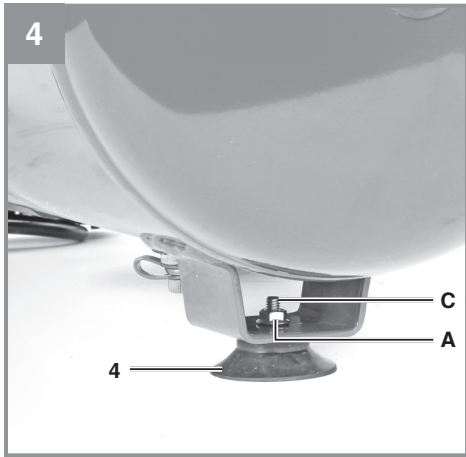


---

**Art.-Nr.: 40.205.91**

**I.-Nr.: 21010**









**Danger!** - Read the operating instructions to reduce the risk of injury



**Caution!** Wear ear-muffs. The impact of noise can cause damage to hearing.



**Beware of electrical voltage!**



**Beware of hot parts!**



**Warning!** The unit will start up automatically without warning if the pressure drops below cut-in pressure!

**Danger!**

When using the equipment, a few safety precautions must be observed to avoid injuries and damage. Please read the complete operating instructions and safety regulations with due care. Keep this manual in a safe place, so that the information is available at all times. If you give the equipment to any other person, hand over these operating instructions and safety regulations as well. We cannot accept any liability for damage or accidents which arise due to a failure to follow these instructions and the safety instructions.

## 1. Safety regulations

**Danger!****Read all safety regulations and instructions.**

Any errors made in following the safety regulations and instructions may result in an electric shock, fire and/or serious injury.

**Keep all safety regulations and instructions in a safe place for future use.**

This appliance is not intended for use by persons (including children) with reduced physical, sensory or mental capabilities, or lack of experience and knowledge, unless they have been given supervision or instruction concerning use of the appliance by a person responsible for their safety. Children should be supervised to ensure that they do not play with the appliance.

**Safety information**

**Important! The following basic safety actions must be taken when using this compressor in order to protect the user from electric shocks and the risk of injury and fire. Read and follow these instructions before using the equipment.**

- **Keep your work area tidy**  
Untidy work areas can result in accidents.
- **Check the ambient conditions**  
Do not expose the compressor to rain. Never use the compressor in damp or wet locations. There is a risk of electric shock! Provide good lighting. Do not use the compressor near flammable liquids or gases. There is a risk of explosion!
- **Protect yourself against electric shocks**  
Avoid bodily contact with earthed parts, e.g. pipes, radiators, cookers and refrigerators.

- **Keep children away!**

Do not allow other persons to touch the compressor or cable, keep them away from your work area.

- **Keep your compressor in a safe place**

When unused, the compressor must be stored in a dry, locked room out of children's reach.

- **Do not overload your compressor**

It will run better and safer within its quoted capacity range.

- **Wear suitable work clothes**

Never wear loose fitting clothes or jewellery. They may get caught in moving parts. Rubber gloves and non-slip shoes are recommended when working outdoors. Wear a hair net if you have long hair. Risk of injury!

- **Do not use the cable for purposes other than that for which it is designed**

Do not carry the compressor by its cable and do not use the cable to pull the plug out of the socket. Protect the cable from heat, oil and sharp edges. The cable/plug could become damaged.

- **Take care of your compressor**

Keep your compressor clean in order to work well and safely. Follow the maintenance instructions. Check the power plug and cable on a regular basis and have them replaced by an authorized specialist if they are damaged. Check the extension cable regularly and replace it if damaged.

- **Pull out the power plug**

When not in use and before carrying out any maintenance work.

- **Avoid unintentional starting**

Make sure that the switch is turned off when connecting to the power supply.

- **When using an extension cable outdoors**

Check that it is approved for outdoor duty and is marked accordingly.

- **Be alert at all times**

Watch what you are doing. Use common sense when working. Never use the compressor when you are distracted.

- **Check your compressor for damage**

Before using the compressor again, carefully check the safety devices and any slightly damaged parts to ensure that they are in good working order. Check that the moving parts are working correctly, that they do not jam, and that no parts are damaged. Make sure that all parts are fitted correctly to ensure that the equipment remains safe to use. Unless otherwise stated in the operating instruc-

tions, damaged guards and parts have to be repaired or replaced by a customer service workshop. Damaged switches have to be replaced by a customer service workshop. Never use an electric power tool with a switch that cannot be turned on and off.

- **Important!**  
For your own safety you must only use the accessories and additional units listed in the operating instructions or recommended or specified by the manufacturer. The use of mounted tools or accessories other than those recommended in the operating instructions or catalog may place your personal safety at risk.
- **Leave all repairs to a qualified electrician**  
Repairs must be left strictly to qualified electricians or the user might suffer an accident.
- **Noise**  
Wear ear muffs when you use the compressor.
- **Replacing the power cable**  
To prevent hazards, leave the replacement of damaged power cables strictly to the manufacturer or a qualified electrician. There is a risk of electric shock!
- **Inflating tires**  
Directly after inflating tires, check the pressure with a suitable pressure gauge, for example at your filling station.
- **Roadworthy compressors for building site operations**  
Make sure that all lines and fittings are suitable for the maximum permissible operating pressure of the compressor.
- **Place of installation**  
Set up the compressor on an even surface.

#### **Safety instructions for working with compressed air and blasting guns**

- The compressor pump and lines can become very hot during operation. Touching these parts will burn you.
- The air which is sucked in by the compressor must be kept free of impurities that could cause fires or explosions in the compressor pump.
- When releasing the hose coupling, hold the hose coupling piece with your hand. This way, you can protect yourself against injury from the rebounding hose.
- Wear safety goggles when working with the blow-out pistol. Foreign bodies or blown off parts can easily cause injuries.
- Do not blow at people with the blow-out pistol

and do not clean clothes while being worn.  
Risk of injury!

#### **Safety information for paint spraying**

- Do not process any paints or solvents with a flash point below 55° C. There is a risk of explosion!
- Do not heat up paints or solvents. There is a risk of explosion!
- If hazardous liquids are processed, wear protective filter units (face guards). Also, adhere to the safety information provided by the manufacturers of such liquids.
- The details and designations of the Ordinance on Hazardous Substances, which are displayed on the outer packaging of the processed material, must be observed. Additional protective measures are to be undertaken if necessary, particularly the wearing of suitable clothing and masks.
- Do not smoke during the spraying process and/or in the work area. There is a risk of explosion! Paint vapors are easily combustible.
- Never set up or operate the equipment in the vicinity of a fire place, open lights or sparking machines.
- Do not store or eat food and drink in the work area. Paint vapors are harmful to your health.
- The work area must exceed 30 m<sup>3</sup> and sufficient ventilation must be ensured during spraying and drying. Do not spray against the wind. Always adhere to the regulations of the local police authority when spraying combustible or hazardous materials.
- Do not process media such as white spirit, butyl alcohol and methylene chloride with the PVC pressure hose. These media will destroy the pressure hose.

#### **Operating pressure vessels**

- You must keep your pressure vessel in good working order, operate the vessel correctly, monitor the vessel, carry out necessary maintenance and repair work immediately and meet the relevant safety precautions.
- The supervisory authority may enforce essential control measures in individual cases.
- A pressure vessel is not allowed to be used if it has faults or deficiencies that can endanger workers or third parties.
- Check the pressure vessel for signs of rust and damage each time before using. Do not use the compressor with a damaged or rusty pressure vessel. If you discover any damage, then please contact the customer service

workshop.

### Do not lose these safety instructions

## 2. Layout and items supplied

### 2.1 Layout

1. Housing cover
2. Pressure vessel
3. Wheel
4. Supporting foot
5. Quick-lock coupling (regulated compressed air)
6. Pressure gauge  
(for reading the preset tank pressure)
7. Pressure regulator
8. ON/OFF switch
9. Transportation handle
10. Safety valve
11. Drainage screw for condensation water

### 2.2 Items supplied

Please check that the article is complete as specified in the scope of delivery. If parts are missing, please contact our service center or the sales outlet where you made your purchase at the latest within 5 working days after purchasing the product and upon presentation of a valid bill of purchase. Also, refer to the warranty table in the service information at the end of the operating instructions.

- Open the packaging and take out the equipment with care.
- Remove the packaging material and any packaging and/or transportation braces (if available).
- Check to see if all items are supplied.
- Inspect the equipment and accessories for transport damage.
- If possible, please keep the packaging until the end of the guarantee period.

### Danger!

**The equipment and packaging material are not toys. Do not let children play with plastic bags, foils or small parts. There is a danger of swallowing or suffocating!**

- Original operating instructions
- Safety information

## 3. Proper use

The compressor is designed for generating compressed air for tools operated by compressed air.

The equipment is to be used only for its prescribed purpose. Any other use is deemed to be a case of misuse. The user / operator and not the manufacturer will be liable for any damage or injuries of any kind caused as a result of this.

Please note that our equipment has not been designed for use in commercial, trade or industrial applications. Our warranty will be voided if the machine is used in commercial, trade or industrial businesses or for equivalent purposes.

## 4. Technical data

Mains connection: .....	220-240 V ~ 50 Hz
Motor rating kW: .....	1.2
Compressor speed min-1: .....	3450
Operating pressure bar: .....	8
Pressure vessel capacity (in liters): .....	24
Theoretical suction rate l/min.: .....	180
Output (compressed air) at 7 bar: ....	45 liters/min
Output (compressed air) at 4 bar: ....	70 liters/min
Sound power level LWA in dB: .....	97
Uncertainty KWA .....	0.28 dB
Sound pressure level LpA in dB: .....	76
Uncertainty KpA .....	0.28 dB
Protection type: .....	IP20
Weight of the unit in kg: .....	approx. 15.5 kg

### Noise

The noise emission values were measured in accordance with EN ISO 3744.



## 5. Before starting the equipment

### Warning!

Before you connect the equipment to the mains supply make sure that the data on the rating plate are identical to the mains data.

- Examine the machine for signs of transit damage. Report any damage immediately to the company which delivered the compressor.
- The compressor should be set up near the working consumer.
- Avoid long air lines and long supply lines (extensions).
- Make sure the intake air is dry and dust-free.
- Do not set up the compressor in damp or wet rooms.
- The compressor may only be used in suitable rooms (with good ventilation and an ambient temperature from +5°C to +40°C). There must be no dust, acids, vapors, explosive gases or inflammable gases in the room.
- The compressor is designed to be used in dry rooms. It is prohibited to use the compressor in areas where work is conducted with sprayed water.
- The equipment must be set up where it can stand securely.
- Use flexible hoses in order to prevent transmitting unacceptable loads to the pipeline system at the connection between the compressor system and the pipeline system.
- It is essential to use separators, traps and drains which process the liquids produced by the compressor before the compressor system is put into operation.
- Supply hoses at pressures above 7 bar should be equipped with a safety cable (e.g. a wire rope).

## 6. Assembly and starting

### Notice!

**You must fully assemble the appliance before using it for the first time.**

### 6.1 Fitting the wheels (3)

Fit the supplied wheels as shown in Fig. 3.

### 6.2 Fitting the supporting foot (4)

Fit the supplied rubber stopper as shown in Fig. 4.

### 6.3 Voltage

- Long supply cables, extensions, cable reels etc. cause a drop in voltage and can impede motor start-up.
- At low temperatures below +5°C, sluggishness may make starting difficult or impossible.

### 6.4 On/Off switch (8)

To switch on the equipment, set the On/Off switch (8) to position 1.

To switch off the equipment, move the On/Off switch (8) to position 0.

### 6.5 Adjusting the pressure: (Fig. 1)

- You can adjust the pressure on the pressure gauge (6) using the pressure regulator (7).
- The set pressure can be taken from the quick-lock coupling (5).

### 6.6 Setting the pressure switch

The pressure switch is set at the factory.

Switch-on pressure 6 bar

Switch-off pressure 8 bar

## 7. Replacing the power cable

### Danger!

If the power cable for this equipment is damaged, it must be replaced by the manufacturer or its after-sales service or similarly trained personnel to avoid danger.

## 8. Cleaning, maintenance and ordering of spare parts

### Danger!

**Pull the power plug before doing any cleaning and maintenance work on the appliance.**

### Warning!

**Wait until the compressor has completely cooled down. Risk of burns!**

### Warning!

**Always depressurize the tank before carrying out any cleaning and maintenance work.**

### Warning!

**After use, always switch off the equipment immediately and pull out the power plug.**

### 8.1 Cleaning

- Keep the safety devices free of dirt and dust as far as possible. Wipe the equipment with a clean cloth or blow it with compressed air at low pressure.
- We recommend that you clean the appliance immediately after you use it.
- Clean the appliance regularly with a damp cloth and some soft soap. Do not use cleaning agents or solvents; these may be aggressive to the plastic parts in the appliance. Ensure that no water can get into the interior of the appliance.
- You must disconnect the hose and any spraying tools from the compressor before cleaning. Do not clean the compressor with water, solvents or the like.

### 8.2 Condensed water (Fig. 1)

**Important!** To ensure a long service life of the pressure vessel (2), drain off the condensed water by opening the drain screw (11) each time after using.

Check the pressure vessel for signs of rust and damage each time before using. Do not use the compressor with a damaged or rusty pressure vessel. If you discover any damage, please contact the customer service workshop.

### 8.3 Safety valve (10)

The safety valve has been set for the highest permitted pressure of the pressure vessel. It is prohibited to adjust the safety valve or remove its seal. Actuate the safety valve from time to time to ensure that it works when required. Pull the ring with sufficient force until you can hear the compressed air being released. Then release the ring again.

### 8.4 Storage

#### **Warning!**

Pull the mains plug out of the socket and ventilate the appliance and all connected pneumatic tools. Switch off the compressor and make sure that it is secured in such a way that it cannot be started up again by any unauthorized person.

#### **Warning!**

**Store the compressor only in a dry location which is not accessible to unauthorized persons. Always store upright, never tilted!**

### 8.5 Transport

- Use the handle for transporting the compressor and use it to move the compressor about.
- Transport the equipment only by carrying it by the transport handle.
- Protect the equipment against unexpected knocks and vibrations.

### 8.6 Ordering replacement parts:

Please quote the following data when ordering replacement parts:

- Type of machine
- Article number of the machine
- Identification number of the machine
- Replacement part number of the part required

For our latest prices and information please go to [www.isc-gmbh.info](http://www.isc-gmbh.info)

## 9. Disposal and recycling

The equipment is supplied in packaging to prevent it from being damaged in transit. The raw materials in this packaging can be reused or recycled. The equipment and its accessories are made of various types of material, such as metal and plastic. Never place defective equipment in your household refuse. The equipment should be taken to a suitable collection center for proper disposal. If you do not know the whereabouts of such a collection point, you should ask in your local council offices.

## 10. Possible causes of failure

Problem	Cause	Solution
The compressor does not start.	<ol style="list-style-type: none"> <li>1. No supply voltage.</li> <li>2. Insufficient supply voltage.</li> <li>3. Outside temperature is too low.</li> <li>4. Motor is overheated.</li> </ol>	<ol style="list-style-type: none"> <li>1. Check the supply voltage, the power plug and the socket-outlet.</li> <li>2. Make sure that the extension cable is not too long. Use an extension cable with large enough wires.</li> <li>3. Never operate with an outside temperature of below +5° C.</li> <li>4. Allow the motor to cool down. If necessary, remedy the cause of the overheating.</li> </ol>
The compressor starts but there is no pressure.	<ol style="list-style-type: none"> <li>1. The non-return valve leaks.</li> <li>2. The seals are damaged.</li> <li>3. The drain plug for condensation water (11) leaks.</li> </ol>	<ol style="list-style-type: none"> <li>1. Have a service center replace the non-return valve.</li> <li>2. Check the seals and have any damaged seals replaced by a service center.</li> <li>3. Tighten the screw by hand. Check the seal on the screw and replace if necessary.</li> </ol>
The compressor starts, pressure is shown on the pressure gauge, but the tools do not start.	<ol style="list-style-type: none"> <li>1. The hose connections have a leak.</li> <li>2. A quick-lock coupling has a leak.</li> <li>3. Insufficient pressure set on the pressure regulator.</li> </ol>	<ol style="list-style-type: none"> <li>1. Check the compressed air hose and tools and replace if necessary.</li> <li>2. Check the quick-lock coupling and replace if necessary.</li> <li>3. Increase the set pressure with the pressure regulator.</li> </ol>



For EU countries only

Never place any electric power tools in your household refuse.

To comply with European Directive 2012/19/EC concerning old electric and electronic equipment and its implementation in national laws, old electric power tools have to be separated from other waste and disposed of in an environment-friendly fashion, e.g. by taking to a recycling depot.

Recycling alternative to the return request:

As an alternative to returning the equipment to the manufacturer, the owner of the electrical equipment must make sure that the equipment is properly disposed of if he no longer wants to keep the equipment. The old equipment can be returned to a suitable collection point that will dispose of the equipment in accordance with the national recycling and waste disposal regulations. This does not apply to any accessories or aids without electrical components supplied with the old equipment.

Please note that batteries and lamps (e.g. light bulbs) must be removed from the tool before it is disposed of.

The reprinting or reproduction by any other means, in whole or in part, of documentation and papers accompanying products is permitted only with the express consent of the iSC GmbH.

Subject to technical changes

## Service information

We have competent service partners in all countries named on the guarantee certificate whose contact details can also be found on the guarantee certificate. These partners will help you with all service requests such as repairs, spare and wearing part orders or the purchase of consumables.

Please note that the following parts of this product are subject to normal or natural wear and that the following parts are therefore also required for use as consumables.

Category	Example
Wear parts*	V-belt, air filter
Consumables*	
Missing parts	

\* Not necessarily included in the scope of delivery!

In the effect of defects or faults, please register the problem on the internet at [www.Einhell-Service.com](http://www.Einhell-Service.com). Please ensure that you provide a precise description of the problem and answer the following questions in all cases:

- Did the equipment work at all or was it defective from the beginning?
- Did you notice anything (symptom or defect) prior to the failure?
- What malfunction does the equipment have in your opinion (main symptom)?  
Describe this malfunction.

## Warranty certificate

Dear Customer,

All of our products undergo strict quality checks to ensure that they reach you in perfect condition. In the unlikely event that your device develops a fault, please contact our service department at the address shown on this guarantee card. You can also contact us by telephone using the service number shown. Please note the following terms under which guarantee claims can be made:

1. These guarantee terms apply to consumers only, i.e. natural persons intending to use this product neither for their commercial activities nor for any other self-employed activities. These warranty terms regulate additional warranty services, which the manufacturer mentioned below promises to buyers of its new products in addition to their statutory rights of guarantee. Your statutory guarantee claims are not affected by this guarantee. Our guarantee is free of charge to you.
2. The warranty services cover only defects due to material or manufacturing faults on a product which you have bought from the manufacturer mentioned below and are limited to either the rectification of said defects on the product or the replacement of the product, whichever we prefer.  
Please note that our devices are not designed for use in commercial, trade or professional applications. A guarantee contract will not be created if the device has been used by commercial, trade or industrial business or has been exposed to similar stresses during the guarantee period.
3. The following are not covered by our guarantee:
  - Damage to the device caused by a failure to follow the assembly instructions or due to incorrect installation, a failure to follow the operating instructions (for example connecting it to an incorrect mains voltage or current type) or a failure to follow the maintenance and safety instructions or by exposing the device to abnormal environmental conditions or by lack of care and maintenance.
  - Damage to the device caused by abuse or incorrect use (for example overloading the device or the use of unapproved tools or accessories), ingress of foreign bodies into the device (such as sand, stones or dust, transport damage), the use of force or damage caused by external forces (for example by dropping it).
  - Damage to the device or parts of the device caused by normal or natural wear or tear or by normal use of the device.
4. The guarantee is valid for a period of 24 months starting from the purchase date of the device. Guarantee claims should be submitted before the end of the guarantee period within two weeks of the defect being noticed. No guarantee claims will be accepted after the end of the guarantee period. The original guarantee period remains applicable to the device even if repairs are carried out or parts are replaced. In such cases, the work performed or parts fitted will not result in an extension of the guarantee period, and no new guarantee will become active for the work performed or parts fitted. This also applies if an on-site service is used.
5. To make a claim under the guarantee, please register the defective device at: [www.Einhell-Service.com](http://www.Einhell-Service.com). Please keep your bill of purchase or other proof of purchase for the new device. Devices that are returned without proof of purchase or without a rating plate shall not be covered by the guarantee, because appropriate identification will not be possible. If the defect is covered by our guarantee, then the item in question will either be repaired immediately and returned to you or we will send you a new replacement.

Of course, we are also happy offer a chargeable repair service for any defects which are not covered by the scope of this guarantee or for units which are no longer covered. To take advantage of this service, please send the device to our service address.

Also refer to the restrictions of this warranty concerning wear parts, consumables and missing parts as set out in the service information in these operating instructions.

**Konformitätserklärung**

- D** erklärt folgende Konformität gemäß EU-Richtlinie und Normen für Artikel
- GB** explains the following conformity according to EU directives and norms for the following product
- F** déclare la conformité suivante selon la directive CE et les normes concernant l'article
- I** dichiara la seguente conformità secondo la direttiva UE e le norme per l'articolo
- NL** verklaart de volgende overeenstemming conform EU richtlijn en normen voor het product
- E** declara la siguiente conformidad a tenor de la directiva y normas de la UE para el artículo
- P** declara a seguinte conformidade, de acordo com as diretiva CE e normas para o artigo
- DK** atterer følgende overensstemmelse i medfør af EU-direktiv samt standarder for artikel
- S** förklarar följande överensstämmelse enl. EU-direktiv och standarder för artikeln
- FIN** vakuuttaa, että tuote täyttää EU-direktiivin ja standardien vaatimukset
- EE** tõendab toote vastavust EL direktiivile ja standarditele
- CZ** vydává následující prohlášení o shodě podle směrnice EU a norem pro výrobek
- SLO** potrjuje sledečo skladnost s smernico EU in standardi za izdelek
- SK** vydáva nasledujúce prehlásenie o zhode podľa smernice EÚ a noriem pre výrobok
- H** a cikkekhez az EU-irányvonal és Normák szerint a következő konformitást jelenti ki
- PL** deklaruje zgodność wymienionego ponizej artykułu z następującymi normami na podstawie dyrektywy WE.
- BG** декларира съответното съответствие съгласно Директива на ЕС и норми за артикул
- LV** paskaidro šādu atbilstību ES direktīvai un standartiem
- LT** apibūdina šį atitikimą EU reikalavimams ir prekės normoms
- RO** declară următoarea conformitate conform directivei UE și normelor pentru articolul
- GR** δηλώνει την ακόλουθη συμμόρφωση σύμφωνα με την Οδηγία ΕΚ και τα πρότυπα για το προϊόν
- HR** potvrđuje sljedeću usklađenost prema smjernicama EU i normama za artikl
- BIH** potvrđuje sljedeću usklađenost prema smjernicama EU i normama za artikl
- RS** potvrđuje sledeću usklađenost prema smernicama EZ i normama za artikal
- RUS** следующим удостоверяется, что следующие продукты соответствуют директивам и нормам ЕС
- UKR** проголошує про зазначену нижче відповідність виробу директивам та стандартам ЄС на виробі
- MK** ja izjavува следната сообрзност согласно EУ-директивата и нормите за артикли
- TR** Ürünü ile ilgili AB direktifleri ve normları gereğince aşağıda açıklanan uygunluğu belirtir
- N** erklærer følgende samsvar i henhold til EU-direktivet og standarder for artikkel
- IS** Lýsir uppfyllingu EУ-reglna og annarra staðla vöru

**Air Kompressor TC-AC 200/24/8 OF Kit (Einhell)**

- 2014/29/EU
- 2005/32/EC\_2009/125/EC
- 2014/35/EU
- 2006/28/EC
- 2014/30/EU
- 2014/32/EU
- 2014/53/EU
- 2014/68/EU
- (EU)2016/426  
Notified Body:
- (EU)2016/425
- 2011/65/EU\_(EU)2015/863
- 2006/42/EC
- Annex IV  
Notified Body:  
Reg. No.:
- 2000/14/EC\_2005/88/EC
- Annex V
- Annex VI  
Noise: measured L<sub>WA</sub> = 96 dB (A); guaranteed L<sub>WA</sub> = 97 dB (A)  
P = 1,2 KW; L/Ø = cm  
Notified Body:  
INTERTEK TESTING & CERTIFICATION LTD (Notified Body 0359)
- 2012/46/EU\_(EU)2016/1628  
Emission No.:

**Standard references:**

EN 61000-3-2; EN 61000-3-3, EN 55014-1; EN 55014-2; EN 1012-1; EN 60204-1

Landau/Isar, den 14.05.2020

Weichselgartner/General-Manager

Dong/Product-Management

First CE: 2020  
Art.-No.: 40.205.91 I.-No.: 21010  
Subject to change without notice

Archive-File/Record: NAPR023716  
Documents registrar: Siegfried Roider  
Wiesenweg 22, D-94405 Landau/Isar



## Declaration of conformity

We, Einhell UK Ltd

Champions Business Park, First Floor Unit 10, Arrowe Brook Rd, Upton, Wirral CH49 0AB,  
United Kingdom

declare the conformity to UK standards and legislation was assessed for:

### Air Compressor TC-AC 200/24/8 OF Kit (Einhell)

#### UK legislation

- |  |  |
|--|--|
| <input checked="" type="checkbox"/> Simple Pressure Vessels (Safety) Regulation  | <input checked="" type="checkbox"/> Electromagnetic Compatibility Regulation |
| <input type="checkbox"/> Electrical Equipment (Safety) Regulation  | <input type="checkbox"/> Measuring Instruments Regulation                    |
| <input type="checkbox"/> Radio Equipment Regulation  | <input type="checkbox"/> Pressure Equipment (Safety) Regulation              |
| <input type="checkbox"/> Personal Protective Equipment Regulation  |  |
| <input type="checkbox"/> The Ecodesign for Energy-Related Products and Energy Information Regulation   |  |
| <input checked="" type="checkbox"/> The Restriction of the Use of Certain Hazardous Substances in Electrical and Electronic Equipment Regulation |  |
| <input checked="" type="checkbox"/> Noise Emission in the Environment by Equipment for use Outdoors Regulation                                   |  |
| <input type="checkbox"/> Annex V   |  |
| <input checked="" type="checkbox"/> Annex VI   |  |
| Noise: measured $L_{WA}$ = 96 dB (A); guaranteed $L_{WA}$ = 97 dB (A)  |  |
| P = 1.2 kW; L/Ø = cm   |  |
| UK Approved Body: INTERTEK TESTING & CERTIFICATION LTD (Notified Body 0359)  |  |
| <input checked="" type="checkbox"/> Supply of Machinery (Safety) Regulation  |  |
| <input type="checkbox"/> Annex IV  |  |
| UK Approved Body:  |  |
| UKTE Certificate No.:  |  |

**Standards: BS 61000-3-2; BS 61000-3-3; BS 55014-1; BS 55014-2; BS 1012-1; BS 60204-1**

Wirral, 2022.06.09

  
Tom Chambers, Managing Director Einhell UK Ltd.

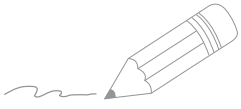
Article Number: 40.205.91 I-No.: 21010  
Subject to change without notice

Archive-File/Record: NAPR023716  
Documents registrar: Siegfried Roider  
Wiesenweg 22, 94405 Landau/Isar, Germany





A series of 20 horizontal lines for writing, starting from the line where the pencil is positioned and extending down the page.



A series of horizontal lines for writing, consisting of two lines at the top and a larger section of 24 single lines below.



A series of horizontal lines for writing, starting from the top right and extending down to the bottom of the page.



EH 08/2022 (02)

