



Einhell

BLUE

BG-DP 6315 N Dirt water pump

Art.-No. 41.704.90

Powerful and robust dirt water pump to empty garden ponds, flooded basements and construction sites. The installed float switch controls the ON/OFF function of the pump. It takes foreign particles up to \varnothing 15 mm in size. High quality of the materials, i. e. stainless steel-driving gear and top quality axial face seal warrants an almost maintenance-free and a long service life of product performance. An exact fine-tuning between motor and turbine blade wheel achieves performance-effectiveness and above-average performance data.

Features

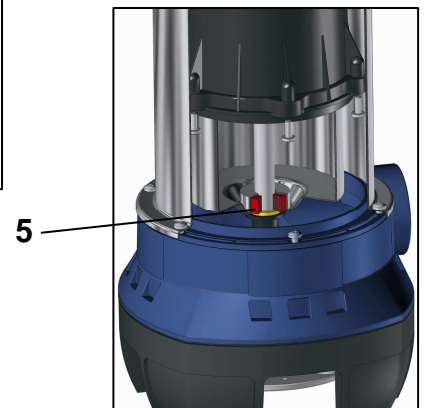
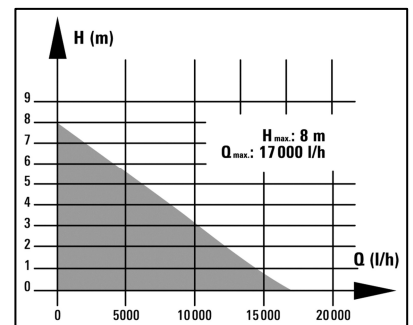
- Handle (1)
- Float switch (2)
- Universal connection for 25 mm (1") and 32 mm (1¼") male thread hose connection as well as G1 (ca. 33.3 mm) male thread
- 90° angle G1½ (ca. 47.8 mm) male thread x G1½ (ca. 47.8 mm) male thread (3)
- Cable reel (4)
- High quality floating ring seal (5)

Technical Data

- Mains: 230 V ~ 50 Hz
- Power: 630 W
- Delivery capacity max.: 17,000 l/h
- Delivery height max.: 8 m
- Immersion depth: 5 m
- Water temperature: up to 35 °C
- Hose connection: G 1½ (ca. 47.8 mm) female thread
- Foreign particle size up to: \varnothing 15 mm
- Mains cable: 10 m H07RN-F
- ON function: approx. 50 cm
- OFF function: approx. 5 cm
- Net weight: 5.7 kg
- Gross weight: 6.15 kg
- Packing dimensions: 220 x 180 x 370 mm
- Bar code: 4006825556209
- Sales unit: 4 pcs



Performance data:



As special accessory available:

PVC-drainage hose 10 m/1"
Einhell Grey

Art.-No.: 41.737.14
Bar code: 4006825549249

