



User Manual



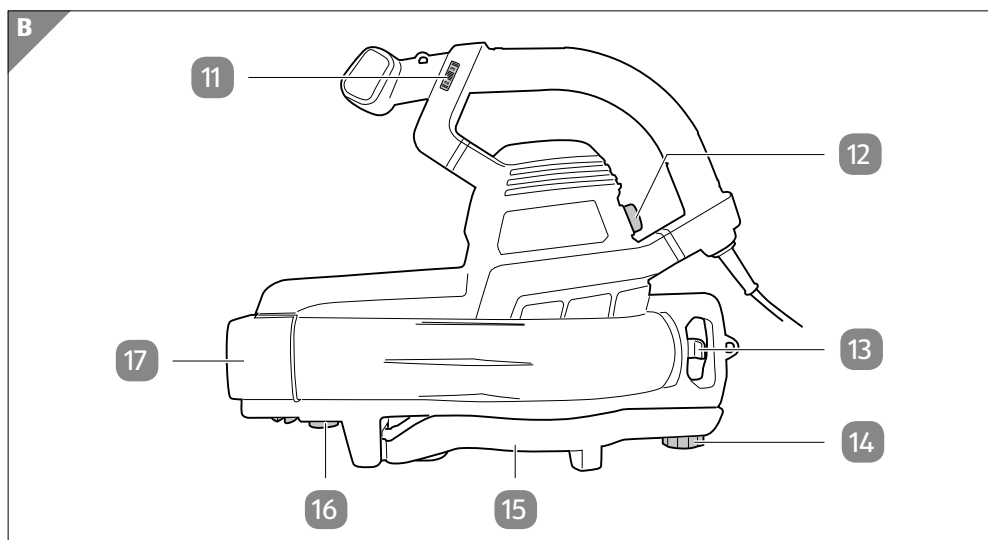
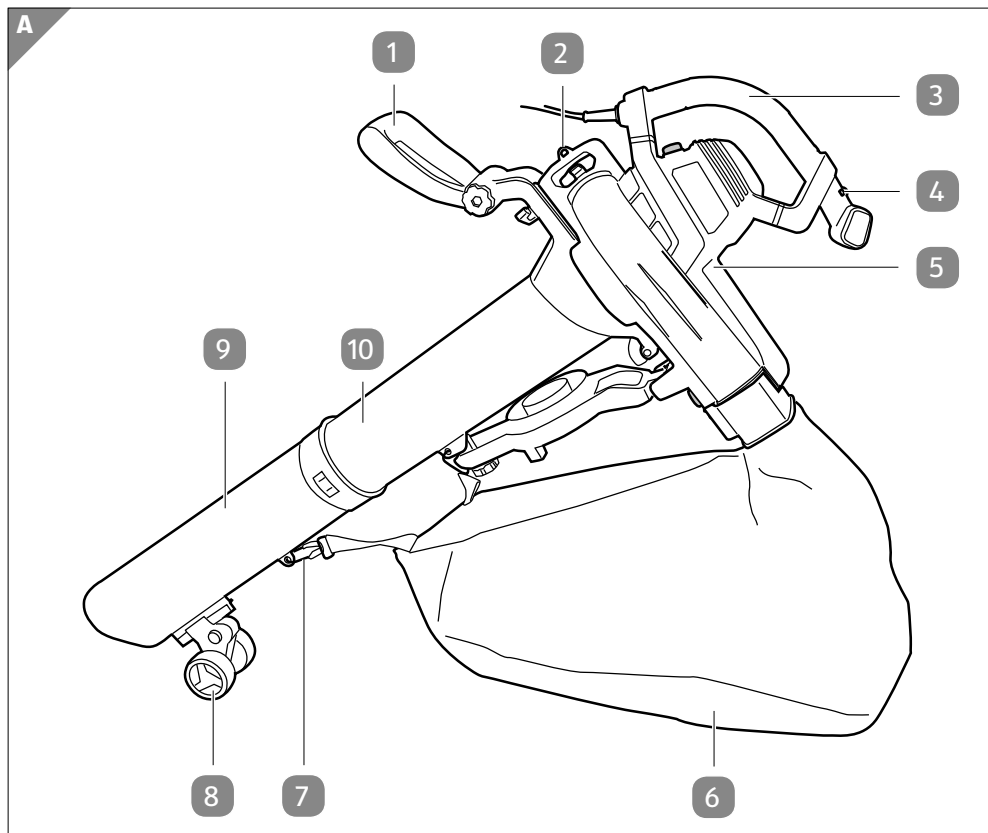
ELECTRIC BLOWER VAC

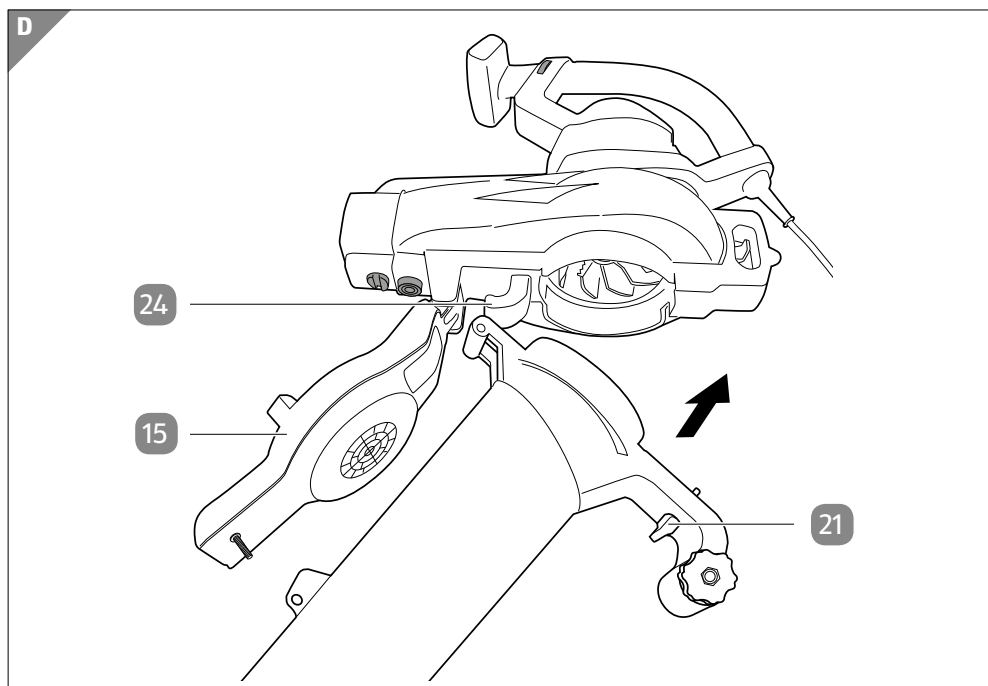
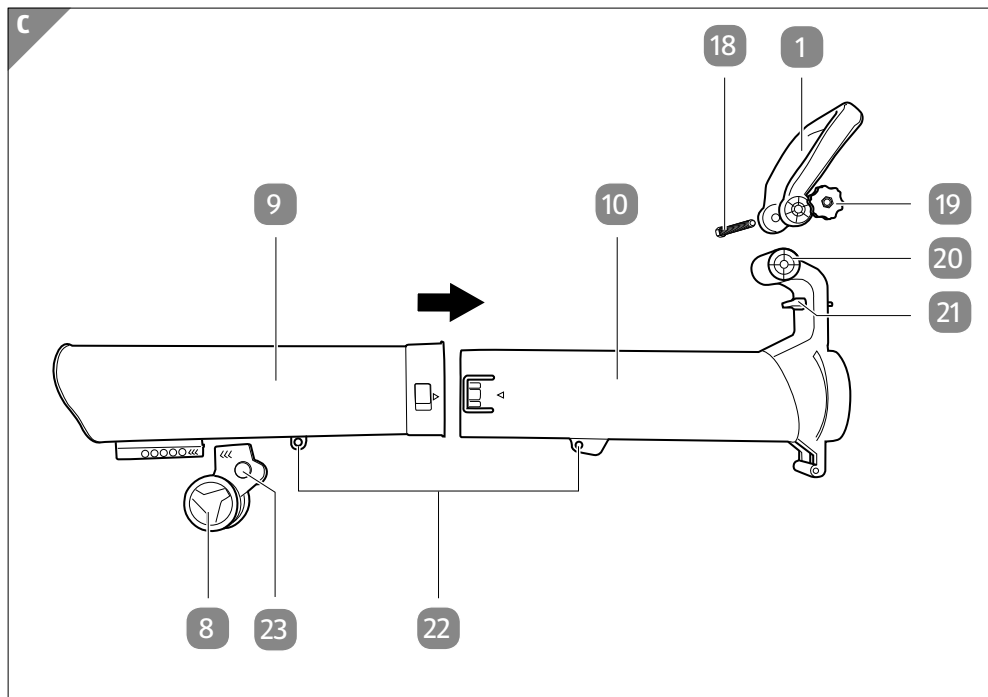


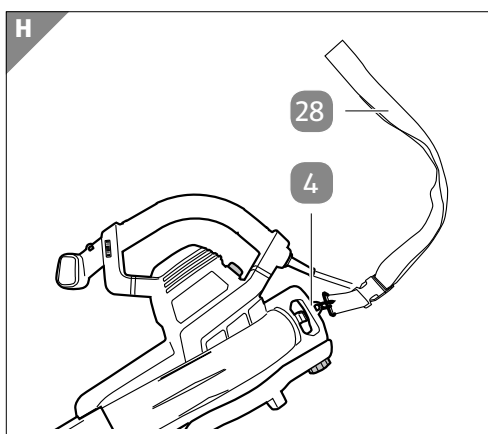
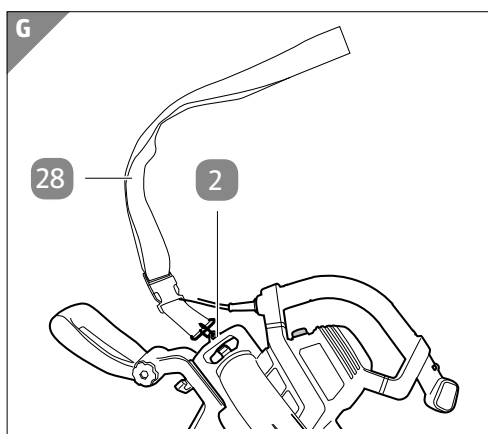
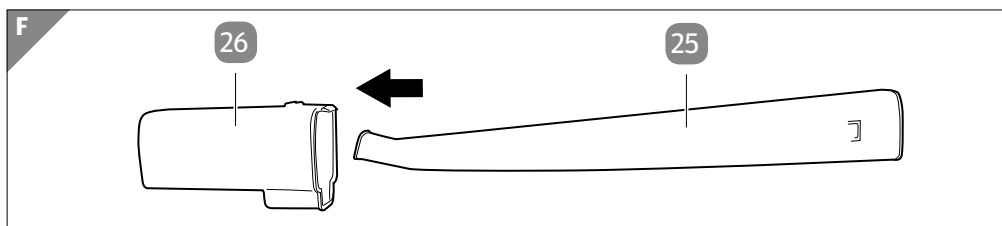
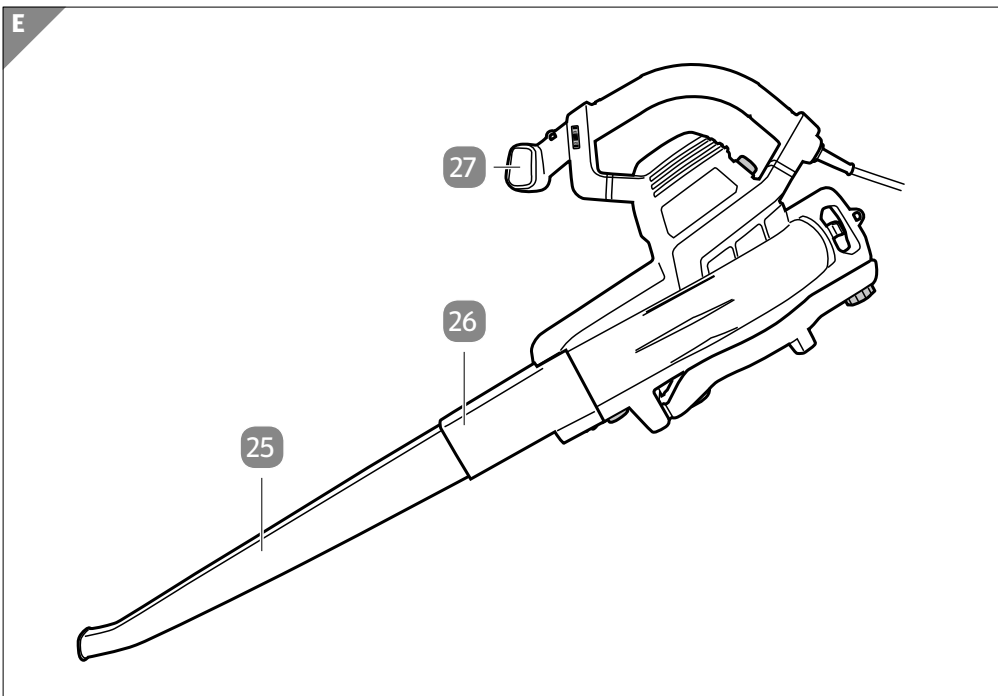
Original instructions

Contents

Overview	3
Use.....	4
Package contents/device parts.....	6
General information.....	7
Reading and storing the user manual	7
Explanation of symbols	7
Safety	9
Proper use.....	9
Residual risks.....	9
General power tool safety instructions.....	10
Additional safety instructions for handheld electric blower vacs with blower function	13
Supplementary safety instructions	16
First use.....	17
Checking the blower vac and package contents	17
Assembling the blower vac.....	17
Assembling the suction tube.....	17
Attaching the extra handle.....	18
Assembling the blower tube	18
Assembly in blower mode.....	18
Assembly in vacuum mode.....	18
Using the carrying strap.....	19
Use.....	19
Preparing the blower vac.....	19
Activating/deactivating the blower vac	20
Using the blower vac in vacuum mode.....	20
Using the blower vac in blower mode.....	21
Emptying the collector bag.....	21
Removing the collector bag.....	22
Removing blockages.....	22
Cleaning.....	23
Maintenance and repair.....	24
Storage	24
Transport	25
Troubleshooting.....	25
Technical data	26
Spare parts and accessories	26
Noise/vibration information	27
Disposal.....	29
Declaration of conformity	30







Package contents/device parts

- 1 Extra handle (vacuum mode)
- 2 Eyelet for carrying strap (suction mode)
- 3 Handle
- 4 Eyelet for carrying strap (blower mode)
- 5 Motor housing
- 6 Collector bag
- 7 Hooks, 2×
- 8 Guide rollers
- 9 Lower suction tube
- 10 Upper suction tube
- 11 Speed control
- 12 On/Off switch
- 13 Strain relief
- 14 Star screw
- 15 Cover
- 16 Lock button
- 17 Mounting on the motor housing
- 18 Screw
- 19 Star nut
- 20 Mounting (extra handle)
- 21 Wing screw
- 22 Eyelet on suction tube, 2×
- 23 Lock button
- 24 Fixation for suction tube
- 25 Blower tube
- 26 Sleeve
- 27 Extra handle (blower mode)
- 28 Carrying strap

General information

Reading and storing the user manual



This user manual accompanies this electric blower vac (referred to below only as the “blower vac”). It contains important information about safety, usage and care.

Read this user manual carefully before using the blower vac. Pay particular attention to the safety instructions and warnings. Failure to follow the instructions in this user manual may result in severe injury or damage to the blower vac.

Comply with applicable local or national regulations concerning the use of this product. Keep this user manual in a safe place for future reference. If you pass the blower vac on to third parties, please be absolutely sure to include this user manual.

Explanation of symbols

The following symbols and signal words are used in this user manual, on the blower vac or on the packaging.



Indicates a hazardous situation that, if not avoided, could result in death or serious injury.



Indicates a hazardous situation that, if not avoided, could result in minor or moderate injury.



Warns of possible damage to property.



This symbol provides you with useful supplementary information on assembly or use.



Declaration of conformity (see “Declaration of conformity” chapter): Products marked with this symbol meet all applicable Community regulations for the European Economic Area.



Caution/Warning



Read the user manual.



Wear suitable, tight fitting clothing.



Wear protective goggles.
Wear ear protection.



Wear a dust mask.



Wear suitable secure footwear.



Wear suitable protective gloves.



Pull the mains plug before cleaning, maintenance, assembly, storage and transport.



Pull the mains plug if the mains cord is damaged or tangled. Do not touch the mains cord until you have disconnected it from the power supply.



Keep other persons and animals out of the danger area while the blower vac is operating.



Discharge of cuttings.



Protect the blower vac from rain and moisture.



Guaranteed sound power level in dB.



The blower vac corresponds to protection class II. This means that the blower vac has reinforced or double insulation.



Rotating parts! Keep your hands and feet away from the openings.



Safety

Proper use

The blower vac is only designed for private users in connection with hobby and DIY projects for the following purposes:

- in vacuum mode for sucking up dry foliage or other garden waste such as cuttings.
- in blower mode for blowing foliage or other garden waste such as cuttings together or for removing them from hard-to-reach areas.

Any other applications are expressly prohibited and are deemed improper use.

Neither the manufacturer nor the retailer can accept any responsibility for injury, loss or damage caused by misuse of this product of any kind. Examples of misuse are given in the following non-exhaustive list:

- using the blower vac for other than the intended purposes;
- failure to observe the safety instructions and warnings as well as the assembly, operating, maintenance and cleaning instructions contained in this user manual;
- failure to comply with any regulations relating to accident prevention, occupational medicine or safety, which specifically and/or generally apply to the use of this blower vac;
- use of accessories and spare parts not intended for the blower vac;
- changes to the blower vac;
- repairs to the blower vac performed by parties other than the manufacturer or a qualified professional;
- commercial or industrial use of the blower vac as well as in connection with the trades;
- operation or maintenance of the blower vac by persons not familiar with how to handle the blower vac and/or who are not aware of the related risks.

Residual risks

Despite proper use, inconspicuous residual risks cannot be completely ruled out.

The following risks may arise due to the nature of the blower vac:

- lung injury if a suitable dust mask is not worn;
- hearing loss if suitable ear protection is not worn;
- injury to health attributed to hand-arm vibration emissions if the device is used over a prolonged period of time or is not guided and maintained properly.

General power tool safety instructions

⚠ WARNING Read all the safety notes, instructions, illustrations and technical details supplied with this power tool. Failure to follow the safety notices and instructions may result in an electric shock, fire and/or severe injury.

Save all warnings and instructions for future reference.

The term “power tool” used in the safety instructions refers to mains-operated power tools (corded) and battery-powered power tools (cordless).

Work area safety

- a) **Keep your work area clean and well lit.** *Cluttered or dark areas invite accidents.*
- b) **Do not operate power tools in explosive atmospheres, such as in the presence of flammable liquids, gases or dust.** *Power tools create sparks which may ignite the dust or fumes.*
- c) **Keep children and bystanders away while operating a power tool.** *If you are distracted, you could lose control of the power tool.*

Electrical safety

- a) **Power tool plugs must match the outlet. Never modify the plug in any way. Do not use any adapter plugs with earthed (grounded) power tools.** *Unmodified plugs and matching outlets will reduce risk of electric shock.*
- b) **Avoid body contact with earthed or grounded surfaces, such as pipes, radiators, ranges and refrigerators.** *There is an increased risk of electric shock if your body is earthed or grounded.*
- c) **Do not expose power tools to rain or wet conditions.** *Water entering a power tool will increase the risk of electric shock.*
- d) **Do not use the cord for improper purposes such as for carrying the power tool, for hanging it up or for pulling or unplugging it from the socket. Keep cord away from heat, oil, sharp edges and moving parts.** *Damaged or entangled cords increase the risk of electric shock.*
- e) **When operating a power tool outdoors, use only extension cords that are suitable for outdoor use.** *Use of a cord suitable for outdoor use reduces the risk of electric shock.*

-
- f) **If operating a power tool in a damp location is unavoidable, use a residual current device (RCD) protected supply.** *Use of an RCD reduces the risk of electric shock.*

Personal safety

- a) **Stay alert, watch what you are doing and use common sense when operating a power tool. Do not use a power tool while you are tired or under the influence of drugs, alcohol or medication.** *A moment of inattention while operating power tools may result in serious personal injury.*
- b) **Use personal protective equipment. Always wear eye protection.** *Protective equipment such as dust mask, non-skid safety shoes, hard hat, or ear protection used for appropriate conditions will reduce personal injuries.*
- c) **Prevent unintentional starting. Ensure the switch is in the off-position before connecting to power source and/or battery pack, picking up or carrying the tool.** *Carrying power tools with your finger on the switch or connecting the power tool to a power supply while the switch is set to “on” may lead to accidents.*
- d) **Remove any adjusting key or wrench before turning the power tool on.** *A wrench or a key left attached to a rotating part of the power tool may result in personal injury.*
- e) **Do not overreach. Keep proper footing and balance at all times.** *This enables better control of the power tool in unexpected situations.*
- f) **Dress properly. Do not wear loose clothing or jewellery. Keep your hair and clothing away from moving parts.** *Loose clothes, jewellery or long hair can be caught in moving parts.*
- g) **If there is an option for installing dust suction devices and dust containers, these should be attached and used correctly.** *Use of dust collection can reduce dust-related hazards.*
- h) **Do not be lulled into a false sense of security and ignore the safety rules for power tools, even if you are well acquainted with power tools, having used them frequently.** *Using power tools without due care and attention can cause serious injuries in a split second.*

Power tool use and care

- a) **Do not overload the power tool. Use the correct power tool for your application.** *The correct power tool will do the job better and safer at the rate for which it was designed.*
- b) **Do not use the power tool if the switch does not turn it on and off.** *Any power tool that cannot be controlled with the switch is dangerous and must be repaired.*
- c) **Disconnect the plug from the power source and/or remove the rechargeable battery from the power tool before making any adjustments, changing insertion tools or storing the power tool.** *Such preventive safety measures reduce the risk of starting the power tool accidentally.*
- d) **Store idle power tools out of the reach of children. Do not let any individual who is not familiar with the power tool or who has not read these instructions operate this power tool.** *Power tools are dangerous in the hands of untrained users.*
- e) **Maintain power tools and insertion tools with care. Check for misalignment or binding of moving parts, breakage of parts and any other condition that may affect the power tool's operation. If any parts of the power tool are damaged, have them repaired before use.** *Many accidents are caused by poorly maintained power tools.*
- f) **Keep cutting tools sharp and clean.** *Properly maintained cutting tools with sharp cutting edges are less likely to bind and are easier to control.*
- g) **Use the power tool and insertion tools, etc., in accordance with these instructions. taking into account the working conditions and the work to be performed.** *Use of the power tool for operations different from those intended could result in a hazardous situation.*
- h) **Keep handles and handle surfaces dry, clean and free from oil and grease.** *Slippery handles and handle surfaces will prevent you from operating and controlling the power tools safely in unforeseen situations.*

Service

- a) **Have your power tool serviced by a qualified repair person using only identical replacement parts.** *This will ensure that the safety of the power tool is maintained.*

Additional safety instructions for handheld electric blower vacs with blower function

Briefing

- a) Carefully read through the instructions. Familiarise yourself with the control elements and proper use of the device.
- b) Never allow children or persons not familiar with these instructions to use the device. Local regulations may restrict the permissible age of the operator.
- c) Please keep in mind that the operator or user is responsible for accidents or dangers affecting other persons or their property.

Preparation

- a) Use ear protection and protective goggles. Wear them during the whole operating time of the device.
- b) Always wear secure footwear and long trousers when operating the device. Do not operate the device with bare feet or with open sandals. Avoid wearing loose clothing or clothing with dangling strings or ties.
- c) Do not wear any loose clothing or jewellery that could be drawn into the suction intake. Keep long hair away from the suction intakes.
- d) Operate the device in a recommended position and only on a solid, level surface.
- e) Do not operate the device on a cobbled or gravel surface where discharged material could inflict injury.
- f) Always perform a visual check before use to ensure that the shredder, the bolts of the shredder and other fasteners are secure, that the housing is not damaged and that the protective equipment and shields are all in place. If any components are worn or damaged, replace the complete set to maintain balance. Replace any damaged or illegible labels.
- g) Before use, check the voltage supply and the mains cord for signs of damage or ageing. If the mains cord is damaged during use, the mains connection line must be immediately disconnected from the mains. **Do not touch the mains cord as long as it has not yet been disconnected from the mains** as this could result in contact with live parts. Do not use the device if the mains cord is damaged or worn.

- h) Keep the mains cord away from moving parts to prevent damage to the mains cord.
- i) Never use the device if there are people, especially children, or animals nearby.

Operation

- a) Before you start the device, make sure that the feeder is empty.
- b) Keep your face and your body away from the intake.
- c) Ensure that your hands, other body parts or clothing are not in the feeder, the discharge duct or near moving parts.
- d) Make sure that you maintain your balance and that you assume a stable stance, especially when working on slopes. Do not overreach. When feeding material into the device, never stand on a higher level than the level on which the device is set up.
- e) Walk, do not run.
- f) When operating the device, stay out of the discharge zone.
- g) Be extremely careful when feeding material into the device to ensure that no pieces of metal, rocks, bottles, cans or other foreign objects are fed into it.
- h) Immediately switch off the power supply and wait until the device has come to a stop if the shredder comes into contact with a foreign object or if the device starts to vibrate strongly. Disconnect the device from the mains and take the following steps before restarting and operating the device:
 - check for damage;
 - replace or repair any damaged parts;
 - check for loose parts and tighten them.
- i) Ensure that processed material does not accumulate in the discharge zone as this will impair the proper discharge of material and result in material being drawn back into the device via the intake.
- j) If the device is plugged, switch the power source off and disconnect it from the mains before you remove the debris.
- k) Never operate the device if the protective equipment or shields are defective or if the safety fixtures, such as collector bag, are not in place or attached.

-
- l) Keep the power source free of debris and the accumulation of other materials to prevent damage to it or a possible fire.
 - m) Do not transport the device whilst the power source is running.
 - n) Stop the device and pull the plug out of the socket. Make sure that all moving parts have come to a full stop
 - whenever you leave the device unattended,
 - before removing a blockage or rectifying obstructed ducts,
 - before inspecting, cleaning or performing any other work on the device.
 - o) Do not tip the device whilst the power source is running.

Maintenance and storage

- a) If the device is stopped for maintenance, inspection, storage or in order to change accessories, switch the power supply off, disconnect the device from the mains and make sure that all moving parts have come to a full stop. Let the device cool off before inspecting it, performing settings, etc. Maintain the device with care and keep it clean.
- b) Store the device in a dry place out of the reach of children.
- c) Always let the device cool off before storing it.
- d) When performing maintenance on the shredder, please keep in mind that although the power source has been switched off by the locking function of the protective equipment, the shredder can still be moved.
- e) Replace worn or damaged parts for reasons of safety. Only use original spare parts and accessories.
- f) Never attempt to bypass the locking function of the protective equipment.
- g) Switch the device off before attaching or removing the bag.

Recommendation

- a) The device should be operated with a residual current protective device (RCD) with a maximum release current of no more than 30 mA.
- b) Do not operate the device in poor weather conditions, especially if there is a risk of lightning.

Supplementary safety instructions



Danger for children and persons with impaired physical, sensory or mental capacities (e.g. partially disabled persons, older persons with reduced physical and mental capacities) or lack of experience and knowledge (e.g. older children).

- Children, persons with impaired physical, sensory or mental abilities or who lack experience and knowledge or persons who are not familiar with the instructions are never permitted to use the device.
- Local regulations may prescribe an age limit for the operator.
- The device must never be operated if people, particularly children, or pets are nearby.
- Follow the instructions for assembly and maintenance in this user manual.
- If the mains connection line of this device is damaged, it must be replaced by the manufacturer, its After Sales Support or a similarly qualified person in order to prevent risks.



Health hazard for persons with pacemakers!

The blower vac generates a weak electromagnetic field during operation. Potential interference with a pacemaker can therefore not be ruled out.

- Before the start-up of the blower vac, ask the manufacturer of the pacemaker or a physician in order to prevent any malfunctioning and related health risks.

First use

Checking the blower vac and package contents



Danger of suffocation!

Children could suffocate on plastic wrappers or if they swallow small parts.

- Do not allow children to play with the plastic bags, wrappers and small parts. The blower vac and the packaging are not a children's toy.
 1. Lift the blower vac out of the packaging with both hands.
 2. Place the blower vac on a level, stable surface, such as a workbench.
 3. Check whether the blower vac or the individual parts exhibit damage. If this is the case, do not use the blower vac. Contact the manufacturer at the service address specified on the warranty card.
 4. Check to make sure that all parts are included (see **Fig. A–H**).

Assembling the blower vac



Risk of injury!

A blower vac that is not fully assembled may result in severe injury.

- Follow the user manual step-by-step.
- Assemble the blower vac completely before operating it.
- Do not connect the mains plug with the mains connection line until you have completely assembled the blower vac.

Assembling the suction tube

1. Put the upper suction tube **10** and the lower suction tube **9** together (see **Fig. C**).
2. Make sure that the guide nose is inserted into the corresponding recess and that both tubes correctly snap onto each other.
3. Slide the guide rollers **8** onto the lower suction tube while holding down the lock button **23** and allow them to snap into the desired position.

You can adjust the position of the guide rollers by pressing the lock button again and snapping them into the desired position.

Attaching the extra handle



Risk of injury!

If the front handle has not been properly fixed in place, this may result in injury.

- Make sure that the gear tooth system has properly locked in place.
- Make sure that the locking screw has been tightened.
 1. Insert the extra handle **1** into the mounting **20** on the upper suction tube **10**.
 2. Use the screw **18** and the star nut **19** to fix the extra handle in the desired position (see **Fig. C**).
 3. When inserting the screw, make sure that the screw head reaches into the hexagonal fixation.
 4. Make sure that the gear tooth system of the mounting and the extra handle have correctly locked into place.

You can later adjust the position of the extra handle by loosening the star nut.

Assembling the blower tube

1. Slide the sleeve **26** over the blower tube **25** following the arrow markings and pull it up to the top of the blower tube (see **Fig. F**).
2. Snap the sleeve and the blower tube into position on both sides.

Do not disassemble the blower tube after it has been assembled.

Assembly in blower mode

1. Attach the assembled blower tube **25** to the receptacle on the motor housing **17** so that it clicks into position correctly (see **Fig. E**).
2. To remove the blower tube, push the lock button **16** and remove the blower tube from the receptacle on the motor housing.

Assembly in vacuum mode



Risk of injury!

If the collector bag is not secured during operation in vacuum mode, projected parts could inflict injury.

-
- Only use the blower vac in vacuum mode with a properly mounted collector bag.
 - Make sure that the collector bag is not damaged.
 1. Open the star screw **14** and fold the cover **15** into an open position.
 2. Hang the assembled suction tube from the fixation for the suction tube **24** and fold it onto the motor housing **5** (see **Fig. D**).
 3. Fix the suction tube with the wing screw **21**.
 4. Insert the collector bag **6** into the mounting on the motor housing **17** so that it snaps into position correctly.
 5. Fix the collector bag with the two hooks **7** in the eyelets on the suction tube **22**.

Using the carrying strap

- When using the blower vac both in blowing and suction modes, always wear the carrying strap **28** so that you can work without getting tired (see **Fig. G** and **H**).

The carrying strap is equipped with a click fastener in order to be able to release it quickly in the event of an accident.

Use

Preparing the blower vac

Preparing the mains cord

1. Lay out the mains cord in loops so that you can drag it along when working.
2. Lay the mains cord so that it does not pose a tripping hazard and nothing can fall on it.
3. Check that the mains cord is undamaged. Do not use a damaged mains cord under any circumstances.

Connecting the mains cord

1. Make sure that the On/Off switch **12** is in the Off position (**o**).
2. Insert the plug of the mains cord in a properly installed socket.

Since the blower vac already has a 10 m long power cord, the strain relief **13** is not required.

Picking up the blower vac

1. Hold the handle **3** with one hand and the extra handle **1** / **27** with the other hand.
2. Put on the carrying strap **28** so that it runs over your shoulder and crosses your chest and back.
3. Attach the carrying strap with the hook to the eyelet for the carrying strap **2** / **4**.
4. Adjust the belt length so that the lower suction tube **9** or blower tube **25** can be guided just above the floor.

In suction mode, the guide rollers **8** are used to guide the suction tube more easily over the floor.

Setting the speed

- To increase power, turn the speed control **11** clockwise corresponding to the mark.
- To reduce power, turn the speed control anticlockwise corresponding to the mark.

Activating/deactivating the blower vac



Risk of injury!

Moving parts will continue to move and can cause injury if touched before they have come to a full stop.

- Wait until all moving parts have come to a full stop.
- To switch the blower vac on, set the On/Off switch **12** to the On position (**I**).
- To switch the blower vac off, set the On/Off switch to the Off position (**o**).

Using the blower vac in vacuum mode



Risk of injury!

If the collector bag is not secured during operation in vacuum mode, projected parts could inflict injury.

- Only use the blower vac in vacuum mode with a properly mounted collector bag.
- Make sure that the collector bag is not damaged.

NOTICE!**Risk of damage!**

Blockages and hard objects can damage the blower vac.

- Clean the vents as described in the chapter “Cleaning”.
- Do not suck up too many leaves at once as this could plug the tube and chopper.
- Remove any blockages as described in the chapter “Removing blockage”.
- Do not suck up any hard or wet materials.
 1. Use a rake to loosen any leaves stuck on the ground before you use the blower vac.
 2. Hold the blower vac in front of you and use the guide rollers **8** to push it across the ground.

Using the blower vac in blower mode**Risk of injury!**

Pointing the airstream at other persons, animals or objects (e.g. windows) may cause injury and damage.

- Point the airstream away from you.
- Never point the airstream at other persons, animals or objects.
- Never blow away hard objects like rocks or branches.
 1. Hold the blower tube **25** approx. 10 cm above the ground.
 2. Walk slowly and swing the blower tube from side to side in controlled movements.

Emptying the collector bag

Empty the collector bag **6** once it is roughly half full. This will maintain the vacuum power so that you can work more efficiently.

1. Switch the blower vac off, disconnect it from the power supply and wait until all parts have come to a complete stop.
2. Undo the zipper of the collector bag and empty the contents. You do not have to remove the collector bag for this.
3. Then do the zipper all the way up.

Removing the collector bag

1. To remove the collector bag **6**, loosen the hooks from the eyelets on the suction tube **22**.
2. Push the lock button **16** and remove the collector bag from the mounting on the motor housing **17**.

Removing blockages



Risk of injury!

Moving parts will continue to move and can cause injury if touched before they have come to a full stop.

- Wait until all moving parts have come to a full stop.



Risk of injury!

You could injure yourself if you remove blockages with your bare hands.

- Wear protective gloves.
 - Use suitable tools (e.g. a wooden stick).
1. Check the tube for blockages. Carefully tap on the upper and lower suction tubes **9** / **10** or use a wooden stick to remove blockages.
 2. Remove the collector bag **6** as described in the chapter “Removing the collector bag”.
 3. Check the opening in the motor housing for any blockages. If necessary, remove the blockage with a wooden stick.
 4. Remove the suction tube by reversing the steps described in the chapter “Assembling the suction tube”.
 5. Check the opening in the motor housing for any blockages. Remove any blockages with a wooden stick.

Cleaning



Risk of electric shock!

If used improperly or in a negligent manner, the blower vac can inflict serious injury.

- Each time before performing maintenance, switch the blower vac off and disconnect it from the power supply to prevent an electric shock or the motor from being started accidentally.

NOTICE!

Risk of damage!

Improper handling of the blower vac may result in damage to the blower vac.

- Never spray the blower vac with a water jet or a high-pressure cleaner. There may be significant damage to the blower vac if water enters the motor.
- Do not use any aggressive cleaners, brushes with metal or nylon bristles or sharp or metallic cleaning utensils such as scrapers and the like. They could damage the surfaces.

Thoroughly clean the blower vac immediately after each use and let all components dry. Moist plant cuttings may otherwise harden or start to rot; they are then much harder to remove.

- Keep the protective devices, air vents and the motor housing **5** as free of dust and dirt as possible.
- Remove all plant cuttings with a hand brush or brush.
- Clean all smooth surfaces with a damp cloth.
- Remove the collector bag **6** by reversing the steps described in the chapter "Assembly in vacuum mode".
- Clean the collector bag after each use by turning it inside out and brushing it out.

Maintenance and repair



Risk of electric shock!

If used improperly or in a negligent manner, the blower vac can inflict serious injury.

- Each time before performing maintenance, switch the blower vac off and disconnect it from the power supply to prevent an electric shock or the motor from being started accidentally.
- Regularly check that all screw connections are tight to ensure the blower vac will operate safely.
- Do not use any damaged or worn parts. Replace them with original spare parts of the manufacturer.
- Have any safety-relevant maintenance work – such as replacing faulty components – carried out by a qualified professional or our service department to maintain the blower vac's operational safety.
- If the mains connection line is damaged, it must be replaced by the manufacturer, after sales support or a similarly qualified person in order to prevent risks.

Check the condition of the blower vac regularly. Among other things, check to make sure:

- that the switches are not damaged,
- that the accessories are in proper condition,
- that the mains cord and the mains plug are not damaged,
- that the vents are unobstructed and clean. If applicable, use a soft brush to clean them.

If you identify any damages, you must have them repaired by a specialist workshop to prevent risks.

Storage

- Before storage, clean the blower vac thoroughly as described in the chapter “Cleaning”.
- Always store the blower vac in a dry area.
- Protect the blower vac from direct sunlight.
- Store the blower vac so that it is not accessible to children and at a storage temperature between 5 °C and 30 °C.
- Store the blower vac in its original packaging or similar packaging.

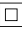
Transport

- Always carry the blower vac by the handle **3** or extra handle **1** / **27**.
- Protect the blower vac from shocks and intense vibrations.
- Secure the blower vac when transporting it in a vehicle.
- If possible, use the original packaging for transport.

Troubleshooting

Problem	Possible cause	Solution
The motor doesn't start.	The On/Off switch 12 is in the off position (O).	Set the On/Off switch to the On position (I).
	There is no power.	Use another device to check whether the socket being used has power.
		Connect the mains plug with a socket as described in the chapter "Connecting the mains cord".
	The house fuse or fault current protection switch has triggered.	Check the mains cord for damage.
	The motor overload protection has triggered because the motor is overloaded or overheated.	Let the blower vac cool off for 15–20 minutes.
	The mains cord or mains plug is defective.	Have the blower vac checked by a qualified workshop.
The blower vac is not working powerfully enough.	The tube or shredder is blocked with leftover leaves or debris.	Check the tube and the shredder. If necessary, remove the debris as described in the chapter "Removing blockages".
	The collector bag 6 is full.	Empty the collector bag.
	The vents are blocked.	Clean the vents.

Technical data

Model:	GLLS 3002 UK
Article number:	96513
Rated voltage:	220-240 V~
Frequency:	50 Hz
Rated power:	3,000 W
Idle speed:	8,000–15,000 rpm
Suction power:	840 m ³ /h
Protection class:	II 
Type of protection:	IP 20
Collector bag capacity:	approx. 45 l
Weight:	4.9 kg

Spare parts and accessories

You can order suitable spare parts and accessories online: www.einhell.co.uk.

You will find current prices and information there. You should provide the following data when ordering spare parts:

- Model: GLLS 3002 UK
- Article number (Einhell): 34.333.33
- Identification no: 11018
- Spare part number of the required spare part
(Can be viewed at www.einhell.co.uk)

Noise/vibration information



Health hazard!

Working without ear protection and suitable protective clothing poses a health hazard.

- Wear ear protection and suitable protective clothing when working with the device.

Measured in accordance with DIN EN 50636-2-100. The noise at your workplace may exceed 70 dB(A); protective measures are necessary in this case (wear suitable ear protection).

- Measured sound pressure level L_{pA} : 89,3 dB(A)
- Uncertainty K_{pA} : 3,0 dB(A)
- Measured sound power level L_{WA} : 107,22 dB(A)
- Uncertainty K_{WA} : 2,25 dB(A)
- Guaranteed sound power level L_{WA} : 110 dB(A)

The aforementioned values are noise emission values and therefore, do not necessarily represent safe values for the workplace. The correlation between emission and imission levels cannot reliably provide for a conclusion as to whether additional precautionary measures are necessary or not.

Factors that could affect the respective imission level present at the workplace involve the specification of the work area, the surrounding area, the duration of exposure, other noise sources etc.

You must also observe any divergences in national regulations with respect to the permissible workplace levels. The aforementioned information does, however, allow the user to better assess dangers and risks.

Hand-arm vibration measured on the back handle a_{hw} : 9,8 m/s²

Uncertainty K: 1,5 m/s²

ATTENTION!

The aforementioned vibration emission level (vibration value) has been measured in accordance with a test method standardised in DIN EN 50636-2-100 and can be used to compare one power tool to another. It is also suited for preliminary estimation of exposure to vibration. The vibration emission value during actual use of the tool can differ from the declared vibration level depending on the way in which the leaf blower is used, for example:

- condition of the blower vac or proper maintenance;
- type of material and use of the blower vac;
- use of the right accessories and whether they are in good condition;
- a firm grip of the blower vac by the operator;
- proper use of the blower vac as described in this user manual.

Improper use of the blower vac can cause vibration-related ailments.

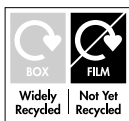
ATTENTION!

Depending on the type of use or conditions of use, the following safety measures must be taken to protect the user:

- avoid exposure to vibrations as much as possible.
- only use accessories in perfect working order.
- wear anti-vibration gloves when using the blower vac.
- follow the user manual on care and maintenance of the blower vac.
- avoid using the blower vac at temperatures below 10 °C.
- plan your work steps so as not to use strongly vibrating devices over several consecutive days.

Disposal

Disposing of the packaging



Sort the packaging materials according to type and dispose of each separately. Dispose of paperboard and cardboard with waste paper and plastics with recyclable waste.

Disposing of the blower vac

- Dispose of the blower vac in accordance with the regulations in your country.



Old devices must not be disposed of with household waste!

This symbol indicates that this product must not be disposed of together with domestic waste in compliance with the Directive (2012/19/EU) pertaining to waste electrical and electronic equipment (WEEE). This product must be handed in at a collection point intended for the purpose. This can occur, for example, by handing it in at an authorised collecting point for the recycling of waste electrical and electronic equipment. Owing to potentially hazardous substances that are frequently contained in waste electronic equipment, incorrect handling of waste equipment may have a negative impact on the environment and on the health of human beings. By disposing of this product correctly, you are also contributing towards an efficient use of natural resources. Information on collecting points for waste equipment can be obtained from your municipal authorities, the public law disposal authorities, an authorised institution for the disposal of waste electrical and electronic equipment or the waste collection services.

Declaration of conformity

Einhell Germany AG · Wiesenweg 22 · D-94405 Landau/Isar

EU

Konformitätserklärung

<p>D erklärt folgende Konformität gemäß EU-Richtlinie und Normen für Artikel</p> <p>GB explains the following conformity according to EU directives and norms for the following product</p> <p>F déclare la conformité suivante selon la directive CE et les normes concernant l'article</p> <p>I dichiara la seguente conformità secondo la direttiva UE e le norme per l'articolo</p> <p>NL verklaart de volgende overeenstemming conform EU richtlijn en normen voor het product</p> <p>E declara la siguiente conformidad a tenor de la directiva y normas de la UE para el artículo</p> <p>P declara a seguinte conformidade, de acordo com as diretiva CE e normas para o artigo</p> <p>DK attesterer følgende overensstemmelse i medfør af EU-direktiv samt standarder for artikel</p> <p>S förklarar följande överensstämmelse enl. EU-direktiv och standarder för artikeln</p> <p>FIN vakuuttaa, että tuote täyttää EU-direktiivin ja standardien vaatimukset</p> <p>EE tõendab toote vastavust EL direktiivile ja standarditele</p> <p>CZ vydává následující prohlášení o shodě podle směrnice EU a norem pro výrobek</p> <p>SLO potrjuje sledečo skladnost s smernico EU in standardi za izdelek</p> <p>SK vydáva nasledujúce prehlásenie o zhode podľa smernice EÚ a noriem pre výrobok</p> <p>H a cikkkehez az EU-irányvonal és Normák szerint a következő konformitást jelenti ki</p>	<p>PL deklaruje zgodność wymienionej poniżej artykułu z następującymi normami na podstawie dyrektywy WE.</p> <p>BG декларира съответното съответствие съгласно Директива на ЕС и норми за артикул</p> <p>LV paskaidro šādu atbilstību ES direktīvai un standartiem</p> <p>LT apibūdina šį atitikimą EU reikalavimams ir prekės normoms</p> <p>RO declară următoarea conformitate conform directivei UE și normelor pentru articolul</p> <p>GR δηλώνει την ακόλουθη συμμόρφωση σύμφωνα με την Οδηγία ΕΚ και τα πρότυπα για το προϊόν</p> <p>HR potvrđuje sljedeću usklađenost prema smjernicama EU i normama za artikl</p> <p>BIH potvrđuje sljedeću usklađenost prema smjernicama EU i normama za artikl</p> <p>RS potvrđuje sledeću usklađenost prema smernicama EZ i normama za artikal</p> <p>RUS следующим удостоверяется, что следующие продукты соответствуют директивам и нормам ЕС</p> <p>UKR проголошує про зазначену нижче відповідність виробу директивам та стандартам ЄС на виріб</p> <p>MK ja izjavuwa slednata soobraznost согласно EУ-директивата и нормите за артикли</p> <p>TR Ürünü ile ilgili AB direktifleri ve normları gereğince aşağıda açıklanan uygunluğu belirtir</p> <p>N erklærer følgende samsvar i henhold til EU-direktivet og standarder for artikkel</p> <p>IS Lýsir uppfyllingu EU-regluna og annarra staðla vöru</p>
--	---

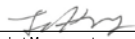
Electric Blower Vac GLLS 3002 UK (Gardenline)

<input type="checkbox"/> 2014/29/EU	<input checked="" type="checkbox"/> 2006/42/EC
<input type="checkbox"/> 2005/32/EC_2009/125/EC	<input type="checkbox"/> Annex IV Notified Body: Notified Body No.: Reg. No.:
<input type="checkbox"/> 2014/35/EU	<input checked="" type="checkbox"/> 2000/14/EC_2005/88/EC
<input type="checkbox"/> 2006/28/EC	<input checked="" type="checkbox"/> Annex V
<input checked="" type="checkbox"/> 2014/30/EU	<input type="checkbox"/> Annex VI
<input type="checkbox"/> 2014/32/EU	Noise: measured $L_{wa} = 107,22$ dB (A); guaranteed $L_{wa} = 110$ dB (A)
<input type="checkbox"/> 2014/53/EC	P = 3,0 kW; L/O = cm
<input type="checkbox"/> 2014/68/EU	Notified Body:
<input type="checkbox"/> 90/396/EC_2009/142/EC	<input type="checkbox"/> 2012/46/EU
<input type="checkbox"/> 89/686/EC_96/58/EC	Emission No.:
<input checked="" type="checkbox"/> 2011/65/EU	

**Standard references: EN 55014-1:2006+A1+A2; EN 55014-2:2015;
EN 60335-1:2012+A11+A13; EN 50636-2-100:2014;
EN 61000-3-2:2014; EN 61000-3-3:2013; EN 62233:2008**

Landau/Isar, den 27.02.2018


Weichselgartner/General-Manager


Liu/Product-Management

First CE: 18
Art.-No.: 34.333.33 I.-No.: 11018
Subject to change without notice

Archive-File/Record: NAPRO18446
Documents registrar: Daniel Laubmeier
Wiesenweg 22, D-94405 Landau/Isar



Great care has gone into the manufacture of this product and it should therefore provide you with years of good service when used properly. In the event of product failure within its intended use over the course of the first 3 years after date of purchase, we will remedy the problem as quickly as possible once it has been brought to our attention. In the unlikely event of such an occurrence, or if you require any information about the product, please contact us via our helpline support services, details of which are to be found both in this manual and on the product itself.



PRODUCED IN CHINA FOR:

ALDI STORES LTD. PO BOX 26, ATHERSTONE
WARWICKSHIRE, CV9 2SH.

ALDI STORES (IRELAND) LTD.
PO BOX 726, NAAS, CO. KILDARE.
Visit us at www.aldi.com

AFTER SALES SUPPORT

96513



GB 0044 151 649 1500



0044 1890 946 244



info@einhell.co.uk

MODEL:
GLLS 3002 UK

09/2018

3
YEAR
WARRANTY