

- Ⓒ Operating Instructions  
Hammer Drill
- Ⓓ Bedienungsanleitung  
Schlagbohrmaschine
- Ⓖ Instrucțiuni de utilizare  
Mașină de găurit cu percuție
- Ⓙ Kullanma Klavuzu  
Darbeli Matkap

**Maestro<sup>®</sup>**

**CE**

**Art.-Nr.: 42.586.74**

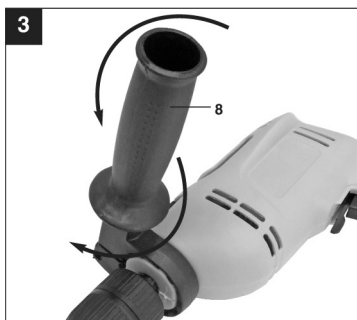
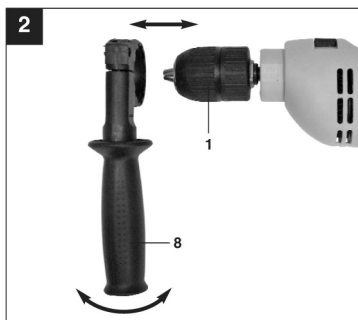
**I.-Nr.: 01018**

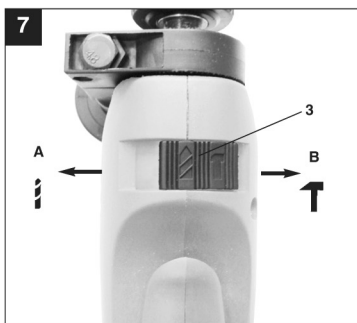
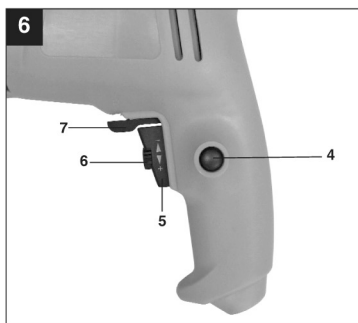
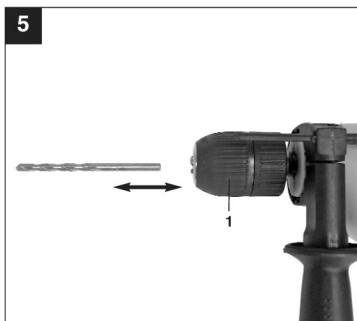
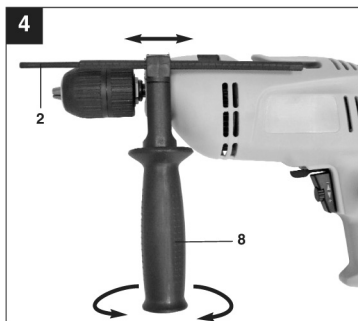


**MID 650 E**



- Ⓔ To avoid damaging the gearbox, the drill / hammer drill selector switch should only be moved when the machine is at a standstill
- Ⓕ Um eine Beschädigung des Getriebes zu vermeiden, darf der Bohren / Schlagbohren Umschalter nur im Stillstand umgeschaltet werden
- Ⓖ Pentru a evita deteriorarea angrenajului, comutarea găurire / percuție se va realiza numai atunci când aparatul este în repaus.
- Ⓣ Dişli kutusunun hasar görmesini önlemek için normal delme/darbeli delme değiştirme şalteri sadece matkap dururken kullanılacaktır





**GB**



"Caution - Read the operating instructions to reduce the risk of inquiry"



**Wear ear-muffs.**

The impact of noise can cause damage to hearing.



**Wear a breathing mask.**

Dust which is injurious to health can be generated when working on wood and other materials. Never use the device to work on any materials containing asbestos!



**Wear safety goggles.**

Sparks generated during working or splinters, chips and dust emitted by the device can cause loss of sight.

**⚠ Important!**

When using equipment, a few safety precautions must be observed to avoid injuries and damage. Please read the complete operating manual with due care. Keep this manual in a safe place, so that the information is available at all times. If you give the equipment to any other person, give them these operating instructions as well.

We accept no liability for damage or accidents which arise due to non-observance of these instructions and the safety information.

**1. Safety regulations**

The corresponding safety information can be found in the enclosed booklet.

**⚠ CAUTION!****Read all safety regulations and instructions.**

Any errors made in following the safety regulations and instructions may result in an electric shock, fire and/or serious injury.

**Keep all safety regulations and instructions in a safe place for future use.**

**2. Layout (Fig. 1)**

1. Drill chuck
2. Drill depth stop
3. Drill/hammer drill selector switch
4. Locking button
5. ON/OFF switch
6. Speed controller
7. Clockwise/Counter-clockwise switch
8. Additional handle

**3. Proper use**

The drill is designed for drilling holes into wood, iron, non-ferrous metals and rock using the appropriate bits.

The equipment is to be used only for its prescribed purpose. Any other use is deemed to be a case of misuse. The user / operator and not the manufacturer will be liable for any damage or injuries of any kind caused as a result of this.

Please note that our equipment has not been designed for use in commercial, trade or industrial applications. Our warranty will be voided if the machine is used in commercial, trade or industrial businesses or for equivalent purposes.

**4. Technical data**

Mains voltage:	230 V ~ 50 Hz
Power input:	650 W
Idling speed:	0-2800 min <sup>-1</sup>
Drilling capacity	Concrete 13 mm Steel 10 mm Wood 30 mm
Protection class:	II / □
Weight:	1.8 kg

**Sound and vibration**

Sound and vibration values were measured in accordance with EN 60745.

L <sub>pA</sub> sound pressure level	92.5 dB(A)
K <sub>pA</sub> uncertainty	3 dB
L <sub>WA</sub> sound power level	103.5 dB(A)
K <sub>WA</sub> uncertainty	3 dB

**Wear ear-muffs.**

The impact of noise can cause damage to hearing.

Total vibration values (vector sum of three directions) determined in accordance with EN 60745.

**Hammer drilling in concrete**

Vibration emission value  $a_{h1} = 9.99 \text{ m/s}^2$

K uncertainty = 1.5 m/s<sup>2</sup>

**Drilling in metal**

Vibration emission value  $a_{h1} \leq 2.5 \text{ m/s}^2$

K uncertainty = 1.5 m/s<sup>2</sup>

**⚠ Important!**

The vibration value changes according to the area of application of the electric tool and may exceed the specified value in exceptional circumstances.

## 5. Before starting the equipment

Before you connect the equipment to the mains supply make sure that the data on the rating plate are identical to the mains data.

Always pull the power plug before making adjustments to the equipment.

### 5.1 Fitting the additional handle (Fig. 2-3/Item 8)

The additional handle (8) enables you to achieve better stability whilst using the hammer drill. Do not use the tool without the additional handle. The additional handle (8) is secured to the hammer drill by a clamp. During the handle clockwise tightens this clamp. Turning it anti-clockwise will release the clamp.

- The supplied additional handle (8) must first be fitted. To do this, the clamp must be opened by turning the handle until it is wide enough for the additional handle to be slid over the chuck (1) and on to the hammer drill.
- After you have positioned the additional handle (8), turn it to the most comfortable working position for you.
- Now turn the handle in the opposite direction again until the additional handle is secure.
- The additional handle (8) is suitable for both left-handed and right-handed users.

### 5.2 Fitting and adjusting the depth stop (Fig. 4/Item 2)

The depth stop (2) is held in place by the additional handle (8) by clamping. The clamp can be released and tightened by turning the handle.

- Release the clamp and fit the depth stop (2) in the recess provided for it in the additional handle.
- Set the depth stop (2) to the same level as the drill bit.
- Pull the depth stop back by the required drilling depth.
- Turn the handle on the additional handle (8) until it is secure.
- Now drill the hole until the depth stop (2) touches the workpiece.

### 5.3 Fitting the drill bit (Fig. 5)

- Always pull the power plug before making adjustments to the equipment.
- Release the depth stop (2) as described in 5.2 and push it towards the additional handle. This provides free access to the chuck (1).
- This hammer drill is fitted with a keyless chuck (1).
- Open the chuck (1). The drill bit opening must be large enough to fit the drill bit into.
- Select a suitable drill bit. Push the drill bit as far as possible into the chuck opening.
- Close the chuck (1). Check that the drill bit is secure in the chuck (1).
- Check at regular intervals that the drill bit or tool is secure (pull the mains plug).

## 6. Operation

### 6.1 ON/OFF switch (Fig. 6/Item 5)

- First fit a suitable drill bit into the tool (see 5.3).
- Connect the mains plug to a suitable socket.
- Position the drill in the position you wish to drill.

#### To switch on:

Press the ON/OFF switch (5)

#### Continuous operation:

Secure the ON/OFF switch (5) with the locking button (4).

#### To switch off:

Press the ON/OFF switch (5) briefly.

### 6.2 Adjusting the speed (Fig. 6/Item 5)

- You can infinitely vary the speed whilst using the tool.
- Select the speed by applying a greater or lesser pressure to the ON/OFF switch (5).
- Select the correct speed: The most suitable speed depends on the workpiece, the type of use and the drill bit used.
- Low pressure on the ON/OFF switch (5): Lower speed (suitable for: small screws and soft materials)
- Greater pressure on the ON/OFF switch (5): Higher speed (suitable for large/long screws and hard materials)

**Tip:** Start drilling holes at low speed. Then increase the speed in stages.

#### Benefits:

- The drill bit is easier to control when starting the hole and will not slide away.

- You avoid drilling messy holes (for example in tiles).

### 6.3 Preselecting the speed (Fig. 6/Item 6)

- The speed setting ring (6) enables you to define the maximum speed. The ON/OFF switch (5) can only be pressed to the defined maximum speed setting.
- Set the speed using the setting ring (6) on the ON/OFF switch (5).
- Do not attempt to make this setting whilst the drill is in use.

### 6.4 Clockwise/Counter-clockwise switch (Fig. 6/Item 7)

- **Change switch position only when the drill is at a standstill!**
- Switch the direction of the hammer drill using the clockwise/counter-clockwise switch (7):

Direction	Switch position
Clockwise (forwards and drill)	R
Counter-clockwise (reverse)	L

### 6.5 Drill / hammer drill selector switch (Fig. 7/Item 3)

- **Change switch position only when the drill is at a standstill!**

#### Drill

Drill / hammer drill selector switch (3) in the drill position. (Position A)  
Use for: Wood, metal, plastic

#### Hammer drill

Drill / hammer drill selector switch (3) in the hammer drill position. (Position B)  
Use for: Concrete, rock, masonry

### 6.6 Tips for working with your hammer drill

#### 6.6.1 Drilling concrete and masonry

- Switch the Drill/Hammer drill selector switch (3) to position B (Hammer drill).
- Always use carbide drill bits and a high speed setting for drilling into masonry and concrete.

#### 6.6.2 Drilling steel

- Switch the drill / hammer drill selector switch (3) to position A (drill).
- Always use HSS drill bits (HSS = high speed steel) and a low speed setting for drilling steel.
- We recommend that you lubricate the hole with a suitable cutting fluid to prevent unnecessary drill bit wear.

#### 6.6.3 Inserting/Removing screws

- Switch the Drill/Hammer drill selector switch (3) to position A (drill).
- Use a low speed setting

#### 6.6.4 Starting holes

If you wish to drill a deep hole in a hard material (such as steel), we recommend that you start the hole with a smaller drill bit.

#### 6.6.5 Drilling tiles

- To start the hole, switch the drill / hammer drill selector switch (3) to position A (drill).
- Switch the drill / hammer drill selector switch (3) to position B (hammer drill) as soon as the drill bit has passed through the tiles.

## 7. Replacing the power cable

If the power cable for this equipment is damaged, it must be replaced by the manufacturer or its after-sales service or similarly trained personnel to avoid danger.

## 8. Cleaning, maintenance and ordering of spare parts

Always pull out the mains power plug before starting any cleaning work.

### 8.1 Cleaning

- Keep all safety devices, air vents and the motor housing free of dirt and dust as far as possible. Wipe the equipment with a clean cloth or blow it with compressed air at low pressure.
- We recommend that you clean the device immediately each time you have finished using it.
- Clean the equipment regularly with a moist cloth and some soft soap. Do not use cleaning agents or solvents; these could attack the plastic parts of the equipment. Ensure that no water can seep into the device.

### 8.2 Carbon brushes

In case of excessive sparking, have the carbon brushes checked only by a qualified electrician. Important! The carbon brushes should not be replaced by anyone but a qualified electrician.

### 8.3 Maintenance

There are no parts inside the equipment which require additional maintenance.



**8.4 Ordering replacement parts:**

Please quote the following data when ordering replacement parts:

- Type of machine
- Article number of the machine
- Identification number of the machine
- Replacement part number of the part required

For our latest prices and information please go to [www.isc-gmbh.info](http://www.isc-gmbh.info)

**9. Disposal and recycling**

The unit is supplied in packaging to prevent its being damaged in transit. This packaging is raw material and can therefore be reused or can be returned to the raw material system.

The unit and its accessories are made of various types of material, such as metal and plastic.

Defective components must be disposed of as special waste. Ask your dealer or your local council.



# GUARANTEE CERTIFICATE

**Dear Customer,**

All of our products undergo strict quality checks to ensure that they reach you in perfect condition. In the unlikely event that your device develops a fault, please contact our service department at the address shown on this guarantee card. Of course, if you would prefer to call us then we are also happy to offer our assistance under the service number printed below. Please note the following terms under which guarantee claims can be made:

1. These guarantee terms cover additional guarantee rights and do not affect your statutory warranty rights. We do not charge you for this guarantee.
2. Our guarantee only covers problems caused by material or manufacturing defects, and it is restricted to the rectification of these defects or replacement of the device. Please note that our devices have not been designed for use in commercial, trade or industrial applications. Consequently, the guarantee is invalidated if the equipment is used in commercial, trade or industrial applications or for other equivalent activities. The following are also excluded from our guarantee: compensation for transport damage, damage caused by failure to comply with the installation/assembly instructions or damage caused by unprofessional installation, failure to comply with the operating instructions (e.g. connection to the wrong mains voltage or current type), misuse or inappropriate use (such as overloading of the device or use of non-approved tools or accessories), failure to comply with the maintenance and safety regulations, ingress of foreign bodies into the device (e.g. sand, stones or dust), effects of force or external influences (e.g. damage caused by the device being dropped) and normal wear resulting from proper operation of the device.

The guarantee is rendered null and void if any attempt is made to tamper with the device.

3. The guarantee is valid for a period of 2 years starting from the purchase date of the device. Guarantee claims should be submitted before the end of the guarantee period within two weeks of the defect being noticed. No guarantee claims will be accepted after the end of the guarantee period. The original guarantee period remains applicable to the device even if repairs are carried out or parts are replaced. In such cases, the work performed or parts fitted will not result in an extension of the guarantee period, and no new guarantee will become active for the work performed or parts fitted. This also applies when an on-site service is used.
4. In order to assert your guarantee claim, please send your defective device postage-free to the address shown below. Please enclose either the original or a copy of your sales receipt or another dated proof of purchase. Please keep your sales receipt in a safe place, as it is your proof of purchase. It would help us if you could describe the nature of the problem in as much detail as possible. If the defect is covered by our guarantee then your device will either be repaired immediately and returned to you, or we will send you a new device.

Of course, we are also happy offer a chargeable repair service for any defects which are not covered by the scope of this guarantee or for units which are no longer covered. To take advantage of this service, please send the device to our service address.



"WARNUNG - Zur Verringerung des Verletzungsrisikos Bedienungsanleitung lesen"



**Tragen Sie einen Gehörschutz.**

Die Einwirkung von Lärm kann Hörverlust bewirken.



**Tragen Sie eine Staubschutzmaske.**

Beim Bearbeiten von Holz und anderer Materialien kann gesundheitsschädlicher Staub entstehen. Asbesthaltiges Material darf nicht bearbeitet werden!



**Tragen Sie eine Schutzbrille.**

Während der Arbeit entstehende Funken oder aus dem Gerät heraustretende Splitter, Späne und Stäube können Sichtverlust bewirken.

# D

## **Achtung!**

Beim Benutzen von Geräten müssen einige Sicherheitsvorkehrungen eingehalten werden, um Verletzungen und Schäden zu verhindern. Lesen Sie diese Bedienungsanleitung / Sicherheitshinweise deshalb sorgfältig durch. Bewahren Sie diese gut auf, damit Ihnen die Informationen jederzeit zur Verfügung stehen. Falls Sie das Gerät an andere Personen übergeben sollten, händigen Sie diese Bedienungsanleitung / Sicherheitshinweise bitte mit aus. Wir übernehmen keine Haftung für Unfälle oder Schäden, die durch Nichtbeachten dieser Anleitung und den Sicherheitshinweisen entstehen.

## 1. Sicherheitshinweise

Die entsprechenden Sicherheitshinweise finden Sie im beiliegenden Heftchen!

## **WARNING**

**Lesen Sie alle Sicherheitshinweise und Anweisungen.** Versäumnisse bei der Einhaltung der Sicherheitshinweise und Anweisungen können elektrischen Schlag, Brand und/oder schwere Verletzungen verursachen zur Folge haben. **Bewahren Sie alle Sicherheitshinweise und Anweisungen für die Zukunft auf.**

## 2. Gerätebeschreibung (Bild 1)

1. Bohrfutter
2. Bohrtiefenanschlag
3. Bohren-/Schlagbohren-Umschalter
4. Feststellknopf
5. Ein-/Aussschalter
6. Drehzahl-Einstellung
7. Rechts-/Linkslauf-Umschalter
8. Zusatzhandgriff


## 3. Bestimmungsgemäße Verwendung

Die Bohrmaschine ist zum Bohren von Löchern in Holz, Eisen, Buntmetallen und Gestein unter Verwendung des entsprechenden Bohrwerkzeugs ausgelegt.

Die Maschine darf nur nach ihrer Bestimmung verwendet werden. Jede weitere darüber hinausgehende Verwendung ist nicht bestimmungsgemäß. Für daraus hervorgerufene Schäden oder Verletzungen aller Art haftet der Benutzer/Bediener und nicht der Hersteller.

Bitte beachten Sie, dass unsere Geräte bestimmungsgemäß nicht für den gewerblichen, handwerklichen oder industriellen Einsatz konstruiert wurden. Wir übernehmen keine Gewährleistung, wenn das Gerät in Gewerbe-, Handwerks- oder Industriebetrieben sowie bei gleichzusetzenden Tätigkeiten eingesetzt wird.

## 4. Technische Daten

Netzspannung:	230 V ~ 50 Hz
Leistungsaufnahme:	650 W
Leerlauf-Drehzahl:	0-2800 min <sup>-1</sup>
Bohrleistung:	Beton 13 mm Stahl 10 mm Holz 30 mm
Schutzklasse:	II / 
Gewicht:	1,8 kg

## Geräusch und Vibration

Die Geräusch- und Vibrationswerte wurden entsprechend EN 60745 ermittelt.

Schalldruckpegel $L_{pA}$	92,5 dB(A)
Unsicherheit $K_{pA}$	3 dB
Schallleistungspegel $L_{WA}$	103,5 dB(A)
Unsicherheit $K_{WA}$	3 dB

## Tragen Sie einen Gehörschutz.

Die Einwirkung von Lärm kann Gehörverlust bewirken.

Schwingungsgesamtwerte (Vektorsumme dreier Richtungen) ermittelt entsprechend EN 60745.

## Schlagbohren in Beton

Schwingungsemissionswert  $a_{h1} \leq 9,99 \text{ m/s}^2$   
Unsicherheit  $K = 1,5 \text{ m/s}^2$

## Bohren in Metall

Schwingungsemissionswert  $a_{h1} \leq 2,5 \text{ m/s}^2$   
Unsicherheit  $K = 1,5 \text{ m/s}^2$

## **Achtung!**

Der Schwingungswert wird sich aufgrund des Einsatzbereiches des Elektrowerkzeuges ändern und kann in Ausnahmefällen über dem angegebenen Wert liegen.

## 5. Vor Inbetriebnahme

Überzeugen Sie sich vor dem Anschließen, dass die Daten auf dem Typenschild mit den Netzdaten übereinstimmen.

Ziehen Sie immer den Netzstecker, bevor Sie Einstellungen am Gerät vornehmen.

### 5.1. Zusatzhandgriff montieren (Bild 2-3/Pos. 8)

Der Zusatzhandgriff (8) bietet Ihnen während der Benutzung der Schlagbohrmaschine zusätzlichen Halt. Benutzen Sie das Gerät daher nicht ohne den Zusatzhandgriff.

Befestigt wird der Zusatzhandgriff (8) an der Schlagbohrmaschine durch Klemmung. Durch drehen des Griffes im Uhrzeigersinn wird die Klemmung angezogen. Drehen gegen den Uhrzeigersinn löst die Klemmung.

- Der beiliegende Zusatzhandgriff (8) muss zunächst montiert werden. Hierzu ist durch Drehen des Griffes die Klemmung weit genug zu öffnen, damit der Zusatzhandgriff über das Bohrfutter (1) auf die Schlagbohrmaschine geschoben werden kann.
- Nach dem Aufschieben des Zusatzhandgriffes (8) schwenken Sie diesen in die für Sie angenehmste Arbeitsposition.
- Jetzt den Griff in entgegengesetzter Drehrichtung wieder zudrehen, bis der Zusatzhandgriff fest sitzt.
- Der Zusatzhandgriff (8) ist für Rechtshänder ebenso wie für Linkshänder geeignet.

### 5.2 Tiefenanschlag montieren und einstellen (Bild 4/Pos. 2)

Der Tiefenanschlag (2) wird vom Zusatzhandgriff (8) durch Klemmung gehalten. Die Klemmung wird wieder durch Drehen des Griffes gelöst bzw. festgezogen.

- Lösen Sie die Klemmung und setzen Sie den Tiefenanschlag (2) in die dafür vorgesehene Aussparung des Zusatzhandgriffes ein.
- Bringen Sie den Tiefenanschlag (2) auf gleiche Ebene zum Bohrer.
- Ziehen Sie den Tiefenanschlag um die gewünschte Bohrtiefe zurück.
- Drehen Sie den Griff des Zusatzhandgriffes (8) wieder zu bis dieser fest sitzt.
- Bohren Sie nun das Loch, bis der Tiefenanschlag (2) das Werkstück berührt.

### 5.3 Einsetzen des Bohrers (Bild 5)

- Ziehen Sie immer den Netzstecker, bevor Sie Einstellungen am Gerät vornehmen.
- Tiefenanschlag (2) wie in 5.2 beschrieben lösen und in Richtung Bohrergriff schieben. Somit hat man freien Zugang zum Bohrfutter (1).
- Diese Schlagbohrmaschine ist mit einem Schnellspann-Bohrfutter (1) ausgestattet.
- Drehen Sie das Bohrfutter (1) auf. Die Bohreröffnung muss groß genug sein, um den Bohrer aufzunehmen.
- Wählen Sie einen geeigneten Bohrer aus. Schieben Sie das Werkzeug soweit wie möglich in die Bohrfutteröffnung hinein.
- Drehen Sie das Bohrfutter (1) zu. Prüfen Sie, ob der Bohrer fest im Bohrfutter (1) sitzt.
- Überprüfen Sie in regelmäßigen Abständen den festen Sitz des Bohrers bzw. Werkzeuges (Netzstecker ziehen!).

## 6. Bedienung

### 6.1 Ein-/Ausschalter (Bild 6/Pos. 5)

- Setzen Sie zuerst einen geeigneten Bohrer in das Gerät ein (siehe 5.3).
- Verbinden Sie den Netzstecker mit einer geeigneten Steckdose.
- Setzen Sie die Bohrmaschine direkt an der Bohrstelle an.

#### Einschalten:

Ein-/Ausschalter (5) drücken

#### Dauerbetrieb:

Ein-/Ausschalter (5) mit Feststellknopf (4) sichern.

#### Ausschalten:

Ein-/Ausschalter (5) kurz eindrücken.

### 6.2 Drehzahl einstellen (Bild 6/Pos. 5)

- Sie können die Drehzahl während des Betriebes stufenlos steuern.
- Durch mehr oder wenig starkes Drücken des Ein-/Ausschalters (5) wählen Sie die Drehzahl.
- Wahl der richtigen Drehzahl: Die am besten geeignete Drehzahl ist abhängig vom Werkstück, von der Betriebsart und vom eingesetzten Bohrer.
- Geringer Druck auf Ein-/Ausschalter (5): niedrigere Drehzahl (Geeignet für: kleine Schrauben, weiche Werkstoffe)
- Größerer Druck auf Ein-/Ausschalter (5): höhere Drehzahl (Geeignet für: große/ lange Schrauben, harte Werkstoffe)

**Tipp:** Bohren Sie Bohrlöcher mit geringer Drehzahl an. Erhöhen Sie Die Drehzahl danach schrittweise.

#### Vorteile:

- Der Bohrer ist beim Anbohren leichter zu kontrollieren und rutscht nicht ab.
- Sie vermeiden zersplitterte Bohrlöcher (z.B. bei Kacheln).

#### 6.3 Vorwählen der Drehzahl (Bild 6/Pos. 6)

- Der Drehzahl-Einstellung (6) ermöglicht es Ihnen, die maximale Drehzahl zu definieren. Der Ein-/Ausschalter (5) kann nur noch bis zur vorgegebenen Maximaldrehzahl eingedrückt werden.
- Stellen Sie die Drehzahl mit dem Einstellung (6) im Ein-/Ausschalter (5) ein.
- Nehmen Sie diese Einstellung nicht während des Bohrens vor.

#### 6.4 Rechts-/Linkslauf-Umschalter (Bild 6/Pos. 7)

- **Nur im Stillstand umschalten!**
- Stellen Sie mit dem Rechts-/Linkslauf-Umschalter (7) die Laufrichtung des Schlagbohrers ein:

Laufrichtung	Schalterposition
Rechtslauf (Vorwärts und Bohren)	R
Linkslauf (Rücklauf)	L

#### 6.5 Bohren/Schlagbohren-Umschalter (Bild 7/Pos. 3)

- **Nur im Stillstand umschalten!**

#### Bohren:

Bohren-/Schlagbohren-Umschalter (3) in Stellung Bohren. (Position A)

Anwendung: Hölzer; Metalle; Kunststoffe

#### Schlagbohren:

Bohren-/Schlagbohren-Umschalter (3) in Stellung Schlagbohren. (Position B)

Anwendung: Beton; Gestein; Mauerwerk

#### 6.6 Tipps für das Arbeiten mit Ihrer Schlagbohrmaschine

##### 6.6.1 Bohren von Beton und Mauerwerk

- Stellen Sie den Bohren/Schlagbohren Umschalter (3) auf die Position B (Schlagbohren).
- Benutzen Sie für das Bearbeiten von Mauerwerk oder Beton immer Hartmetallbohrer und eine hohe Drehzahleinstellung.

##### 6.6.2 Bohren von Stahl

- Stellen Sie den Bohren/Schlagbohren Umschalter (3) auf die Position A (Bohren).
- Benutzen Sie für das Bearbeiten von Stahl immer HSS-Bohrer (HSS = Hochlegierter Schnellarbeitsstahl) und eine niedrige Drehzahleinstellung.
- Es ist empfehlenswert die Bohrung durch ein geeignetes Kühlmittel zu schmieren um unnötigen Bohrerverschleiß zu vermeiden.

##### 6.6.3 Schrauben eindrehen/lösen

- Stellen Sie den Bohren/Schlagbohren Umschalter (3) auf die Position A (Bohren).
- Benutzen Sie eine niedrige Drehzahleinstellung.

##### 6.6.4 Löcher anbohren

Falls Sie ein tiefes Loch in ein hartes Material (wie etwa Stahl) bohren möchten, empfehlen wir, dass Sie das Loch mit einem kleineren Bohrer vorbohren.

##### 6.6.5 Bohren in Fliesen und Kacheln

- Stellen Sie zum Anbohren den Umschalter Bohren/Schlagbohren (3) auf die Position A (Bohren).
- Stellen Sie den Umschalter Bohren/Schlagbohren (3) auf die Position B (Schlagbohren), sobald der Bohrer die Fliese/Kachel durchschlagen hat.

## 7. Austausch der Netzanschlussleitung

Wenn die Netzanschlussleitung dieses Gerätes beschädigt wird, muss sie durch den Hersteller oder seinen Kundendienst oder eine ähnlich qualifizierte Person ersetzt werden, um Gefährdungen zu vermeiden.

## 8. Reinigung, Wartung und Ersatzteilbestellung

Ziehen Sie vor allen Reinigungsarbeiten den Netzstecker.

### 8.1 Reinigung

- Halten Sie Schutzvorrichtungen, Luftschlitz und Motorenhäuser so staub- und schmutzfrei wie möglich. Reiben Sie das Gerät mit einem sauberen Tuch ab oder blasen Sie es mit Druckluft bei niedrigem Druck aus.
- Wir empfehlen, dass Sie das Gerät direkt nach jeder Benutzung reinigen.
- Reinigen Sie das Gerät regelmäßig mit einem

feuchten Tuch und etwas Schmierseife.  
Verwenden Sie keine Reinigungs- oder Lösungsmittel; diese könnten die Kunststoffteile des Gerätes angreifen. Achten Sie darauf, dass kein Wasser in das Geräteinnere gelangen kann.

### 8.2 Kohlebürsten

Bei übermäßiger Funkenbildung lassen Sie die Kohlebürsten durch eine Elektrofachkraft überprüfen. Achtung! Die Kohlebürsten dürfen nur von einer Elektrofachkraft ausgewechselt werden.

### 8.3 Wartung

Im Geräteinneren befinden sich keine weiteren zu wartenden Teile.

### 8.4 Ersatzteilbestellung:

Bei der Ersatzteilbestellung sollten folgende Angaben gemacht werden;

- Typ des Gerätes
- Artikelnummer des Gerätes
- Ident-Nummer des Gerätes
- Ersatzteilnummer des erforderlichen Ersatzteils

Aktuelle Preise und Infos finden Sie unter [www.isc-gmbh.info](http://www.isc-gmbh.info)

## 9. Entsorgung und Wiederverwertung

Das Gerät befindet sich in einer Verpackung um Transportschäden zu verhindern. Diese Verpackung ist Rohstoff und ist somit wieder verwendbar oder kann dem Rohstoffkreislauf zurückgeführt werden. Das Gerät und dessen Zubehör bestehen aus verschiedenen Materialien, wie z.B. Metall und Kunststoffe. Führen Sie defekte Bauteile der Sondermüllentsorgung zu. Fragen Sie im Fachgeschäft oder in der Gemeindeverwaltung nach!

# GARANTIEURKUNDE

## Sehr geehrte Kundin, sehr geehrter Kunde,

unsere Produkte unterliegen einer strengen Qualitätskontrolle. Sollte dieses Gerät dennoch einmal nicht einwandfrei funktionieren, bedauern wir dies sehr und bitten Sie, sich an unseren Servicedienst unter der auf dieser Garantiekarte angegebenen Adresse zu wenden. Gern stehen wir Ihnen auch telefonisch über die unten angegebene Servicrufnummer zur Verfügung. Für die Geltendmachung von Garantieansprüchen gilt Folgendes:

1. Diese Garantiebedingungen regeln zusätzliche Garantieleistungen. Ihre gesetzlichen Gewährleistungsansprüche werden von dieser Garantie nicht berührt. Unsere Garantieleistung ist für Sie kostenlos.
2. Die Garantieleistung erstreckt sich ausschließlich auf Mängel, die auf Material- oder Herstellungsfehler zurückzuführen sind und ist auf die Behebung dieser Mängel bzw. den Austausch des Gerätes beschränkt. Bitte beachten Sie, dass unsere Geräte bestimmungsgemäß nicht für den gewerblichen, handwerklichen oder industriellen Einsatz konstruiert wurden. Ein Garantievertrag kommt daher nicht zustande, wenn das Gerät in Gewerbe-, Handwerks- oder Industriebetrieben sowie bei gleichzusetzenden Tätigkeiten eingesetzt wird.

Von unserer Garantie sind ferner Ersatzleistungen für Transportschäden, Schäden durch Nichtbeachtung der Montageanleitung oder aufgrund nicht fachgerechter Installation, Nichtbeachtung der Gebrauchsanleitung (wie durch z.B. Anschluss an eine falsche Netzspannung oder Stromart), missbräuchliche oder unsachgemäße Anwendungen (wie z.B. Überlastung des Gerätes oder Verwendung von nicht zugelassenen Einsatzwerkzeugen oder Zubehör), Nichtbeachtung der Wartungs- und Sicherheitsbestimmungen, Eindringen von Fremdkörpern in das Gerät (wie z.B. Sand, Steine oder Staub), Gewaltanwendung oder Fremdeinwirkungen (wie z. B. Schäden durch Herunterfallen) sowie durch verwendungsgemäßen, üblichen Verschleiß ausgeschlossen.

Der Garantieanspruch erlischt, wenn an dem Gerät bereits Eingriffe vorgenommen wurden.

3. Die Garantiezeit beträgt 2 Jahre und beginnt mit dem Kaufdatum des Gerätes. Garantieansprüche sind vor Ablauf der Garantiezeit innerhalb von zwei Wochen, nachdem Sie den Defekt erkannt haben, geltend zu machen. Die Geltendmachung von Garantieansprüchen nach Ablauf der Garantiezeit ist ausgeschlossen. Die Reparatur oder der Austausch des Gerätes führt weder zu einer Verlängerung der Garantiezeit noch wird eine neue Garantiezeit durch diese Leistung für das Gerät oder für etwaige eingebaute Ersatzteile in Gang gesetzt. Dies gilt auch bei Einsatz eines Vor-Ort-Services.
4. Für die Geltendmachung Ihres Garantieanspruches übersenden Sie bitte das defekte Gerät portofrei an die unten angegebene Adresse. Fügen Sie den Verkaufsbeleg im Original oder einen sonstigen datierten Kaufnachweis bei. Bitte bewahren Sie deshalb den Kassenbon als Nachweis gut auf! Beschreiben Sie uns bitte den Reklamationsgrund möglichst genau. Ist der Defekt des Gerätes von unserer Garantieleistung erfasst, erhalten Sie umgehend ein repariertes oder neues Gerät zurück.

Selbstverständlich begeben wir gegen Erstattung der Kosten auch gerne Defekte am Gerät, die vom Garantiefumfang nicht oder nicht mehr erfasst sind. Dazu senden Sie das Gerät bitte an unsere Serviceadresse.

### ISC GmbH • Eschenstraße 6 • 94405 Landau/Isar (Deutschland)

Telefon: +49 (0) 180 5 120 509 • Telefax +49 (0) 180 5 835 830 (Anrufrufen: 0,14 Euro/Minute, Festnetz der T-Com)

E-Mail: [info@isc-gmbh.info](mailto:info@isc-gmbh.info) • Internet: [www.isc-gmbh.info](http://www.isc-gmbh.info)



RO



"Avertisment – Citiți manualul de utilizare pentru a reduce riscul producerii unui accident"



**Purtați o protecție a auzului.**

Acțiunea zgomotului pot duce la diminuarea auzului.



**Purtați o mască de protecție contra prafului.**

La prelucrarea lemnului și a altor materiale poate rezulta praf periculos pentru sănătate. Nu se vor prelucra materiale cu conținut de azbest!



**Purtați ochelari de protecție.**

Scântele rezultate pe timpul lucrului sau talașul, așchiile și praful care iese din aparat pot duce la diminuarea vederi.

**⚠ Atenție!**

La utilizarea aparatelor trebuie respectate câteva măsuri de siguranță, pentru a evita accidentele și daunele. De aceea, citiți cu grijă instrucțiunile de utilizare/indicațiile de siguranță. Păstrați aceste materiale în bune condiții, pentru ca aceste informații să fie disponibile în orice moment. Dacă predați aparatul altor persoane, înmânați-le și aceste instrucțiuni de utilizare /indicații de siguranță. Nu asumăm nici o răspundere pentru accidente sau daune care rezultă din nerespectarea acestor instrucțiuni de utilizare și a indicațiilor de siguranță.

**1. Indicații de siguranță**

Indicațiile de siguranță aferente le găsiți în broșura anexată.

**⚠ AVERTIZARE!****Citiți indicațiile de siguranță și îndrumările.**

Nerespectarea indicațiilor de siguranță și a îndrumărilor poate avea ca urmare electrocutare, incendiu și/sau răni grave.

**Păstrați pentru viitor toate indicațiile de siguranță și îndrumările.**

**2. Descrierea aparatului (vezi Figura 1)**

1. Mandrină
2. Oprit or adâncime de găurire
3. Comutator găurire / percuție
4. Buton de fixare
5. Întrerupător pornire/oprire
6. Reglaj al turajiei
7. Comutator rotire stânga/dreapta
8. Mâner suplimentar

**3. Utilizarea conform scopului**

Mașina de găurit este construită pentru găurirea lemnului, fierului, a metalelor neferoase și a pietrei cu utilizarea sculelor de găurit corespunzătoare.

Mașina se va utiliza numai conform scopului pentru care este concepută. Orice altă utilizare nu este în conformitate cu scopul. Pentru pagubele sau vătămările rezultate în acest caz este responsabil utilizatorul/operatorul și nu producătorul.

Vă rugăm să țineți cont de faptul că mașinile noastre nu sunt construite pentru utilizare în domeniile meșteșugărești și industriale. Noi nu preluăm nici o garanție atunci când aparatul este folosit în întreprinderile meșteșugărești sau industriale ori în scopuri similare.

**4. Date tehnice**

Tensiunea de rețea:	230 V~ 50 Hz
Puterea consumată:	650 W
Turație la mers în gol:	0-2800 min <sup>-1</sup>
Capacitatea de găurire:	Beton 13 mm
	Oțel 10 mm
	Lemn 30 mm
Clasa de protecție:	II/□
Greutate:	1,8 kg

**Zgomote și vibrații**

Valorile nivelurilor de zgomot și de vibrație au fost calculate conform EN 60745.

Nivelul presiunii sonore $L_{pA}$	92,5 dB (A)
Nesiguranță $K_{pA}$	3 dB
Nivelul capacității sonore $L_{WA}$	103,5 dB (A)
Nesiguranță $K_{WA}$	3 dB

**Purtați protecție antifonică.**

Expunerea la zgomot poate cauza deteriorarea sau pierderea auzului.

Valorile totale ale nivelului de vibrații (suma vectorială a trei direcții), calculate conform EN 60745.

**Găurire prin percuție în beton**

Valoare a vibrațiilor emise  $a_{h1} = 9,99 \text{ m/s}^2$

Nesiguranță  $K = 1,5 \text{ m/s}^2$

**Găurire în metal**

Valoare a vibrațiilor emise  $a_{h1} \leq 2,5 \text{ m/s}^2$

Nesiguranță  $K = 1,5 \text{ m/s}^2$

**⚠ Atenție!**

Valoarea nivelului de vibrații se schimbă în funcție de locul utilizării sculei electrice, putându-se situa în cazuri excepționale peste valoarea indicată mai sus.

## 5. Înainte de punerea în funcțiune

Asigurați-vă înainte de racordare că datele de pe plăcuța de identificare corespund datelor din rețea.

Scoateți întotdeauna ștecherul din priză înainte de a executa reglaje la mașină.

### 5.1. Montarea mânerului suplimentar (Fig. 2-3/Poz. 8)

Mânerul suplimentar (8) vă oferă stabilitate suplimentară în timpul utilizării mașinii de găurit cu percuție. Din acest motiv nu folosiți mașina fără mânerul suplimentar.

Fixarea mânerului suplimentar (8) la mașina de găurit cu percuție se face cu ajutorul clemelor. Prin rotirea mânerului în sens orar se strâng clemele. Prin rotirea în sens antiorar se desface fixarea mânerului.

- Mânerul suplimentar anexat (8) trebuie mai întâi montat. Pentru aceasta trebuie ca prin rotirea mânerului să deschideți clemele suficient de mult pentru ca mânerul suplimentar să poată fi împins peste mandrină (1) pe mașina de găurit prin percuție.
- După poziționarea mânerului suplimentar (8) potriviți-l în poziția de lucru cea mai comodă pentru Dvs..
- Rotiți acum mânerul în sensul opus, până când se blochează.
- Mânerul suplimentar (8) este indicat atât pentru dreptaci cât și pentru stângaci.

### 5.2 Montarea și reglarea opritorului adâncimii de găurire (Fig. 4/Poz. 2)

Opritorul adâncimii de găurire (2) este susținut de către mânerul suplimentar (8) cu ajutorul clemelor. Clemele se deschid și respectiv închid prin rotirea mânerului.

- Deschideți clemele și introduceți opritorul adâncimii de găurire (2) în lăcașul special prevăzut pe mânerul suplimentar.
- Aduceți opritorul adâncimii de găurire (2) la același nivel cu burghiul.
- Trageți opritorul cu exact adâncimea de găurire dorită înapoi.
- Rotiți mânerul suplimentar (8) la loc, până când se blochează din nou.
- Dați acum o gaură și înaintați până când opritorul adâncimii de găurire (2) atinge piesa prelucrată.

### 5.3 Montarea burghiului (Fig 5)

- Scoateți întotdeauna ștecherul din priză înainte de a efectua reglaje ale aparatului.
- Desfaceți opritorul adâncimii de găurire (2) conform descrierii de la punctul 5.2 și împingeți-l în direcția mânerului. Aveți acum acces liber la

mandrină (1).

- Această mașină de găurit prin percuție este dotată cu o mandrină cu prindere rapidă (1).
- Rotiți mandrina (1) deschizând-o. Deschiderea trebuie să fie suficient de mare pentru a putea prelua burghiul.
- Alegeți un burghiu adecvat. Împingeți burghiul la maxim în deschiderea mandrinei.
- Rotiți mandrina (1) închizând-o. Verificați dacă burghiul este bine fixat în mandrină (1).
- Verificați la intervale regulate de timp dacă burghiul, respectiv scula sunt bine prinse în mandrină (decuplați ștecherul de la rețea!).

## 6. Operare

### 6.1 Întrerupător pornire/oprire (Fig. 6/Poz. 5)

- Montați mai întâi un burghiu potrivit în mașină (vezi 5.3).
- Racordați cablul de rețea la o priză adecvată.
- Așezați mașina de găurit pe punctul unde urmează să se dea gaura.

#### Pornire:

Apăsați întrerupătorul pornire/oprire (5)

#### Funcționarea de durată:

Asigurați întrerupătorul pornire/oprire (5) cu butonul de fixare (4).

Atenție! Un blocaj este posibil doar în cazul rotației spre dreapta.

#### Oprire:

Apăsați scurt întrerupătorul pornire/oprire (5).

### 6.2 Reglarea turației (Fig. 6/Poz. 5)

- În timpul utilizării mașinii de găurit puteți regla turația acesteia fără trepte.
- Prin apăsarea mai tare sau mai ușoară a întrerupătorului pornire/oprire (5) alegeți turația.
- Alegerea turației corecte: Turația adecvată depinde de piesa de prelucrat, de regimul de funcționare și de burghiul folosit.
- Apăsare ușoară pe întrerupătorul pornire/oprire (5): turație joasă (adecvată pentru: șuruburi mici, materiale de prelucrat moi)
- Apăsare mai tare pe întrerupătorul pornire/oprire (5): turație mai mare (adecvată pentru: șuruburi mari/lungi, materiale dure)

**Pont:** Folosiți o turație mai mică atunci când începeți să dați gaura. Creșteți apoi treptat turația.

#### Avantaje:

- Când începeți să dați gaura, burghiul este mai ușor de controlat și nu alunecă.

- Evitați astfel găurile așchiate (de ex. la plăcile de teracotă).

### 6.3 Preselecția turației (Fig. 6/Poz. 6)

- Inelul de reglare a turației (6) vă permite definirea turației maxime. Întrerupătorul de pornire/oprire (5) nu mai poate fi apăsat decât până la turația maximă prestabilită.
- Alegeți turația maximă cu ajutorul inelului de reglare a turației (6) aflat în dreptul întrerupătorului de pornire/oprire (5).
- Nu efectuați acest reglaj în timpul procesului de găurire.

### 6.4 Comutatorul rotire stânga/dreapta (Fig. 6/Poz. 7)

- Comutarea se va realiza numai când aparatul este în repaus!
- Alegeți sensul de lucru al mașinii de găurit prin percuție cu ajutorul comutatorului rotire spre stânga/rotire spre dreapta (7):

**Sensul de lucru al mașinii Poziția comutatorului**  
 Rotație spre dreapta (înainte și găurire) R

Rotație spre stânga (înapoi) L

### 6.5 Comutator găurire/percuție (Fig. 7/Poz. 3)

- **Comutarea se va realiza numai când aparatul este în repaus!**

#### Găurire:

Comutatorul găurire/percuție (3) este în poziția găurire. (Poziția A)

Utilizare: lemn; metale; materiale plastice

#### Găurire prin percuție:

Comutatorul găurire/percuție (3) este în poziția percuție. (Poziția B)

Utilizare: beton; piatră; zidărie

### 6.6 Ponturi pentru lucrul cu mașina de găurit cu percuție

#### 6.6.1 Găurire în beton și zidărie

- Poziționați comutatorul găurire/percuție (3) în poziția B (găurire prin percuție).
- În cazul zidăriei sau al betonului utilizați întotdeauna burghie pentru metale dure și o turație ridicată.

#### 6.6.2 Găurire în oțel

- Poziționați comutatorul găurire/percuție (3) în poziția A (găurire).
- În cazul oțelului utilizați întotdeauna burghie HSS (HSS = oțel rapid, înalt aliat) și o turație joasă.

- Este recomandată ungerea găurii cu un agent de răcire adecvat, pentru a evita uzura inutilă a mașinii de găurit și a burghiului.

### 6.6.3 Strângerea/Desfacerea șuruburilor

- Poziționați comutatorul găurire/percuție (3) în poziția A (găurire).
- Folosiți o turație joasă.

### 6.6.4 Găuri pregătitoare

În cazul în care doriți să dați o gaură adâncă într-un material dur (cum ar fi oțelul), vă recomandăm să dați mai întâi o gaură pregătitoare cu un burghiu mai mic în punctul respectiv.

### 6.6.5 Găurire în faianță, gresie și plăci de teracotă

- Aduceți comutatorul de găurire/percuție (3) în poziția A (găurire) pentru a da gaura pregătitoare.
- Aduceți comutatorul de găurire/percuție (3) în poziția B (găurire prin percuție) imediat ce burghiul a străpuns gresia/faianța/placa de teracotă.

## 7. Schimbarea cablului de racord la rețea

În cazul deteriorării cablului de racord la rețea a acestui aparat, pentru a evita pericolele acesta trebuie înlocuit de către producător sau un servicie clienți sau de persoana cu calificare similară.

## 8. Curățirea, întreținerea și comanda pieselor de schimb

Scoateți ștecherul înaintea începerii lucrărilor de curățire.

### 8.1 Curățirea

- Păstrați curate dispozitivele de protecție, șlițele de aerisire și carcasa mașinii. Îtergeți aparatul cu o cârpă curată sau suflați praful cu aer sub presiune la o presiune mică.
- Noi recomandăm curățirea aparatului imediat după fiecare folosire.
- Curățați aparatul cu o cârpă umedă și puțin săpun lichid. Nu folosiți detergenți sau solvenți; aceștia pot ataca piesele din material plastic ale aparatului. Fiți atenți să nu intre apă în interiorul aparatului.

### **8.2 Perile de cărbune**

În cazul formării excesive a scânteilor perile de cărbune se vor verifica de către un electrician specializat.

Atenție! Perile de cărbune au voie să fie schimbate numai de către un electrician specializat.

### **8.3 Întreținerea**

În interiorul aparatului nu se găsesc alte piese care trebuie să fie întreținute.

### **8.4 Comanda pieselor de schimb:**

La comanda pieselor de schimb trebuie să menționați următoarele date;

- Tipul aparatului
- Numărul articolului aparatului
- Numărul Ident al aparatului
- Numărul piesei de schimb necesare

Prețurile actuale și informații suplimentare găsiți la [www.isc-gmbh.info](http://www.isc-gmbh.info)

## **9. Îndepărtarea și reciclarea**

Aparatul se găsește într-un ambalaj pentru a se preveni deteriorările pe timpul transportului. Acest ambalaj este o resursă și deci reutilizabil și poate fi supus unui ciclu de reciclare.

Aparatul și auxiliarii acestuia sunt fabricați din materiale diferite cum ar fi de exemplu metal și material plastic. Piese defecte se vor preda la un centru de colectare pentru deșeurile speciale. Interesați-vă în acest sens în magazinele de specialitate sau la administrația locală!

# Certificat de garanție

**Stimate clientă, stimat client,**

produsele noastre sunt supuse unui control de calitate riguros. Dacă totuși vreodată acest aparat nu va funcționa ireproșabil ne pare foarte rău și vă rugăm să vă adresați la centrul service indicat la finalul acestui certificat de garanție. Bineînțeles că vă stăm și la telefon cu plăcere la dispoziție, la numerele de service menționate mai jos. Pentru revendicarea pretențiilor de garanție trebuie ținut cont de următoarele:

1. Aceste instrucțiuni de garanție reglementează prestațiile de garanție suplimentare. Pretențiile dumneavoastră de garanție legale nu sunt atinse de această garanție. Prestația noastră de garanție este gratuită pentru dumneavoastră.
2. Prestația de garanție se extinde în exclusivitate asupra defectelor care provin din erori de material sau de fabricație și se limitează la remedierea acestor defecte respectiv la schimbarea aparatului. Vă rugăm să țineți cont de faptul că aparatele noastre, în conformitate cu scopul lor de folosire, nu sunt prevăzute pentru intervenții meșteșugărești sau industriale. Din acest motiv nu se va încheia un contract de garanție atunci când aparatul se va folosi în întreprinderi meșteșugărești sau industriale precum și pentru activități similare. De la garanție sunt excluse deasemenea prestațiile pentru deteriorările intervenite pe timpul transportului, deteriorări datorate neluării în considerare a instrucțiunilor de montare sau datorită instalării necompetente, neluării în considerare a instrucțiunilor de folosire (cum ar fi de exemplu racordarea la o tensiune de rețea falsă sau la un curent fals), utilizarea abuzivă sau improprie (cum ar fi suprasolicitarea aparatului sau folosirea uneltelor atașabile sau auxiliarelor neadmiși), neluării în considerare a prescripțiilor referitoare la lucrările de întreținere și siguranță, intrarea corpurilor străine în aparat (cum ar fi nisip, pietre sau praf), recurgerea la violență sau influențe străine (cum ar fi de exemplu deteriorări datorită căderii), precum și datorită uzurii normale, conformă utilizării.

Pretenția de garanție se pierde atunci când s-au efectuat intervenții la aparat.

3. Durata de garanție este de 2 ani și începe din ziua cumpărării aparatului. Pretențiile de garanție se vor revindica în interval de două săptămâni de la data apariției defectului. Este exclusă revendicarea pretenției de garanție după expirarea duratei de garanție. Repararea sau schimbarea aparatului nu duce nici la prelungirea duratei de garanție și nici nu se va fixa o durată de garanție nouă pentru prestația efectuată la acest aparat sau pentru o piesă schimbată la acesta. Acest lucru este valabil și în cazul unui service la fața locului.
4. Pentru revendicarea pretențiilor dumneavoastră de garanție vă rugăm să trimiteți aparatul defect gratuit la adresa menționată mai jos. Anexați bonul de cumpărare în original sau o altă dovadă de cumpărare datată. Vă rugăm să păstrați cu grijă bonul de casă drept dovadă! Vă rugăm să descrieți cât mai amănunțit motivul reclamației. Dacă defectul aparatului este cuprins în prestațiile noastre de garanție, veți primi imediat înapoi aparatul reparat sau un aparat nou.

Bineînțeles că remediem cu plăcere contra cost și defecte la aparate care nu sunt sau nu mai sunt cuprinse în prestațiile de garanție. Pentru aceasta trimiteți vă rugăm aparatul la adresa noastră service.



„İkaz – yaralanma riskini azaltmak için Kullanma Talimatını okuyunuz“



**Kulaklık takın.**

Çalışma esnasında oluşan gürültü işitme kaybına yol açabilir.



**Toz maskesi takın.**

Ahşap ve diğer malzemeler üzerinde çalışıldığında sağlığa zarar veren tozlar oluşabilir. Asbest içeren malzemelerin işlenmesi yasaktır!



**İş gözlüğü kullanın.**

Çalışma esnasında oluşan kıvılcım veya aletten dışarı fırlayan kıymık, talaş ve tozlar gözlere zarar verebilir.

**⚠ Dikkat!**

Yaralanmaları ve maddi hasarları önlemek için aletler ile çalışırken bazı iş güvenliği talimatlarına riayet edilecektir. Bu nedenle Kullanma Talimatını dikkatlice okuyunuz. İçerdiği bilgilere her zaman erişebilmek için Kullanma Talimatını iyi bir yerde saklayınız. Aleti başka kişilere ödünç verdiğinizde bu Kullanma Talimatını da alet ile birlikte verin. Kullanma Talimatında açıklanan bilgiler ve güvenlik uyarılarına riayet edilmemesinden kaynaklanan iş kazaları veya maddi hasarlardan herhangi bir sorumluluk üstlenmeyiz.

**1. Güvenlik Uyarıları**

İlgili güvenlik uyarıları ekteki kullanma kitapçığında açıklanmıştır.

**⚠ UYARI!**

**Tüm güvenlik bilgileri ve talimatları okuyunuz.** Güvenlik bilgileri ve talimatlarda belirtilen direktiflere aykırı hareket edilmesi sonucunda elektrik çarpması, yangın ve/veya ağır yaralanmalar meydana gelebilir. **Gelecekte kullanmak üzere tüm güvenlik bilgileri ve talimatları saklayın.**

**2. Alet açıklaması (Şekil 1)**

1. Mandren
2. Derinlik dayanağı
3. Normal delme/Darbeli delme değiştirme şalteri
4. Sabitleme düğmesi
5. Açık/Kapalı şalteri
6. Devir regülatörü
7. Sağa/Sola dönme şalteri
8. İlave sap

**3. Kullanım amacına uygun kullanım**

Matkap, uygun matkap ucu kullanılarak ahşap, demir, renkli demir ve taş malzemelerine delik delmek için tasarlanmıştır.

Makine yalnızca kullanım amacına göre kullanılacaktır. Kullanım amacının dışındaki tüm kullanımlar makinenin kullanılması için uygun değildir. Bu tür kullanım amacı dışındaki kullanımlardan kaynaklanan hasar ve yaralanmalarda, yalnızca kullanıcı/işletici sorumlu olup üretici firma sorumlu tutulamaz.

Lütfen cihazlarımızın ticari, zanaatkarlar veya endüstriyel kullanım için uygun olmadığını ve bu kullanımlar için tasarlanmadığını dikkate alın. Aletin ticari, zanaatkarlar veya endüstriyel veya benzer kullanımlarda kullanılmasından kaynaklanan hasarlar garanti kapsamına dahil değildir.

**4. Teknik özellikler**

Gerilim:	230 V ~ 50 Hz
Güç:	650 W
Rölanti devri:	0 - 2800 dev/dak
Delme gücü:	Beton 13 mm Çelik 10 mm Ahşap 30 mm
Koruma sınıfı:	II / <input type="checkbox"/>
Ağırlık:	1,8 kg

**Ses ve titreşim**

Ses ve titreşim değerleri EN 60745 normuna göre ölçülmüştür.

Ses basınç seviyesi $L_{pA}$	92,5 dB(A)
Sapma $K_{pA}$	3 dB
Ses güç seviyesi $L_{WA}$	103,5 dB(A)
Sapma $K_{WA}$	3 dB

**Kulaklık takın.**

Gürültü işitme kaybına sebep olabilir.

Toplam titreşim değerleri (üç yönün vektör toplamı) EN 60745 normuna göre ölçülmüştür.

**Betona darbeli delik delme**

Titreşim emisyon değeri  $a_h = 9,99 \text{ m/s}^2$   
Sapma  $K = 1,5 \text{ m/s}^2$

**Metal içine normal delik delme**

Titreşim emisyon değeri  $a_h = 2,5 \text{ m/s}^2$   
Sapma  $K = 1,5 \text{ m/s}^2$

**⚠ Dikkat!**

Titreşim değeri elektrikli aletin kullanım alanına göre farklılık gösterebilir ve istisnai durumlarda açıklanan değerlerin üzerinde olabilir.



## 5. Çalıştırmadan önce

Makineyi elektrik şebekesine bağlamadan önce makinenin tip etiketi üzerinde belirtilen değerlerin elektrik şebekesi değerleri ile aynı olup olmadığını kontrol edin.

Makine üzerinde ayar işlemi yapmadan önce daima fişi prizden çıkarın.

### 5.1. İlave sapın montajı (Şekil 2-3/Poz. 8)

İlave sap (8), darbeli matkap aletini kullanırken ek bir destek sağlar. Darbeli matkap aletini ilave sapı takmadan kullanmayın.

İlave sap (8) darbeli matkaba sıkıştırma metodu ile sabitleyin. Sap saat yönünde döndürüldüğünde sıkışma artar. Sapın saat yönünün tersi yönünde döndürülmesi ise sıkışmayı azaltır.

- Matkap ile birlikte sevk edilmiş olan ilave sap (8) çalışmaya başlamadan önce monte edilecektir. Bu işlem için sapı döndürerek sıkıştırma yuvasının yeterli derecede açılması ve böylece ilave sapın mandren (1) üzerinden geçirilmesi mümkün kılınacaktır.
- İlave sap (8), mandren üzerinden geçirilip montaj pozisyonuna getirildikten sonra sizin için en uygun çalışma pozisyonuna getirilecektir.
- Sonra sapı, dönme yönünün tersi yönüne döndürerek ilave sapı sıkın.
- İlave sap (8) hem solaklar hem de sağ el ile çalışanlar için uygundur

### 5.2. Derinlik dayanağının montajı ve ayarlanması (Şekil 4/Poz. 2)

Derinlik dayanağı (2) ilave sap (8) tarafından sıkıştırma yöntemi ile sabit tutulur. Sıkıştırma derecesi sapın döndürülmesi ile açılır ve/veya kapatılır.

- Sıkıştırmayı açın ve derinlik dayanağını (2) ilave sapın öngörülen yanğının içine yerleştirin.
- Derinlik dayanağını (2) matkap ucu ile aynı yüksekliğe getirin.
- Derinlik dayanağını delmek istediğiniz delik derinliği mesafesi kadar geri çekin.
- Derinlik dayanağı sabitlemeye kadar ilave sapı (8) döndürün.
- Sonra derinlik dayanağı (2) iş parçasına temas edinceye kadar deliği delin.

### 5.3 Matkap ucunun takılması (Şekil 5)

- Alet üzerinde ayar çalışmalarını yapmadan önce daima elektrik kablosunun fişini prizden çıkarın.
- Derinlik dayanağını (2) madde 5.2'de açıklandığı gibi açın ve matkap sapı yönüne itin. Böylece mandrene (1) daha kolay erişilebilir.
- Bu darbeli matkap anahtarsız mandren (1) ile donatılmıştır.

- Mandreni (1) döndürerek açın. Mandren deliği takılacak matkap ucu çapı için yeterli büyüklüğe olmalıdır.
- Uygun bir matkap ucu seçin. Matkap ucunu mümkün olan en son derinliğe kadar mandren içine yerleştirin.
- Mandreni (1) döndürerek kapatın. Matkap ucunun mandren (1) içinde sıkı şekilde bağlı olup olmadığını kontrol edin.
- Matkap ucunun ve/veya takımın mandren içinde sıkı şekilde bağlı olup olmadığını düzenli aralıklarla kontrol edin (kontrol işlemine başlamadan önce fişi prizden çıkarın!).

## 6. Kullanma

### 6.1 Açık/Kapalı şalteri (Şekil 6/Poz. 5)

- Mandrene önce uygun bir matkap ucu yerleştirin (bakınız Madde 5.3).
- Elektrik kablosunun fişini uygun bir prize takın.
- Darbeli matkabi direkt olarak çalışacağınız yerde çalıştırın.

### Çalıştırma:

Açık/Kapalı şalterine (5) basın

### Sürekli çalıştırma:

Açık/Kapalı şalterini (5) sabitleme düğmesi (4) ile emniyetleyin.

### Kapatma:

Açık/Kapalı şalterine (5) kısaca basın.

### 6.2 Devir ayarı (Şekil 6/Poz. 5)

- Devir ayarını delme işlemi esnasında kademesizce değiştirebilirsiniz.
- Açık/Kapalı şalterine (5) hafif veya kuvvetlice basarak deviri ayarlayabilirsiniz.
- Doğru devir ayarının seçilmesi: En uygun çalışma devri delinecek malzeme türüne, işletme türüne ve kullanılan matkap ucuna bağlıdır.
- Açık/Kapalı şalterine (5) hafifçe bastığınızda: düşük devir (küçük civataların sıkılması, yumuşak malzemelerin delinmesi için uygundur)
- Açık/Kapalı şalterine (5) kuvvetlice bastığınızda: yüksek devir (büyük/uzun civataların sıkılması, sert malzemelerin delinmesi için uygundur)

**Tüyo:** Delikleri düşük devirde delmeye başlayın. Matkabin hızını sonra kademeli olarak yükseltin.

**Avantajlar:**

- Matkap ucu delmeye başlamada daha kolay kontrol edilebilir ve kaymaz.
- Delik yerinin çatlamasını (örneğin seramik delme işlemi) önlersiniz.

**6.3 Devir değerinin ön seçimi (Şekil 6/Poz. 6)**

- Devir regülatörü (6), azami devir değerini tanımlamanıza yardımcı olur. Açık/Kapalı şalteri (5) ancak, öngörülmüş olan bu azami devire kadar bastırılabilir.
- Devir ayarını, Açık/Kapalı şalterindeki (5) ayar halkası (6) ile ayarlayın.
- Ayar işlemini delik delme işlemi esnasında yapmayın.

**6.4 Sağa dönme/Sola dönme değiştirme şalteri (Şekil 6/Poz. 7)**

- **Değiştirme şalterini sadece matkap dururken kullanın!**
- Sağa/Sola dönme değiştirme şalteri (7) ile darbeli matkabın dönme yönünü ayarlayın:

**Dönme yönü** **Şalter pozisyonu**  
Sağa dönme (İleri ve normal delme) R

Sola dönme (geri (sola) dönme) L

**6.5 Normal delme/darbeli delme değiştirme şalteri (Şekil 7/Poz. 3)**

- **Değiştirme şalterini sadece matkap dururken kullanın!**

**Normal delme:**

Normal delme/darbeli delme değiştirme şalteri (3) normal delme pozisyonunda. (Pozisyon A)  
Kullanım alanı: Ahşap, metal, plastik malzemeler

**Darbeli delme:**

Normal delme/darbeli delme değiştirme şalteri (3) darbeli delme pozisyonunda. (Pozisyon B)  
Kullanım alanı: Beton; taş; duvar

**6.6 Darbeli matkap ile çalışma tavsiyeleri****6.6.1 Beton ve duvar delme**

- Normal delme/darbeli delme değiştirme şalterini (3) B pozisyonuna ayarlayın (darbeli delme).
- Duvar veya beton uygulamaları için daima sert metal uçlu matkap ucu kullanın ve yüksek devirde çalışın.

**6.6.2 Çelik malzemeleri delme**

- Normal delme/darbeli delme değiştirme şalterini (3) A pozisyonuna ayarlayın (normal delme).
- Çelik malzemelerin delinmesinde daima HSS

matkap ucu (HSS= yüksek alaşımlı hızlı çalışma çeliği) kullanın ve düşük devirde çalışın.

- Matkap ucunun gereksiz yere aşınmasını önlemek için delme işlemi esnasında deliği uygun bir soğutma sıvısı ile soğutun.

**6.6.3 Civataları sıkma/sökme**

- Normal delme/darbeli delme değiştirme şalterini (3) A pozisyonuna ayarlayın (normal delme).
- Düşük devirde çalışın.

**6.6.4 Küçük çaplı matkap ucu ile ön delme**

Sert malzeme (örneğin çelik) içine uzun delik delmek istediğinizde deliği önce küçük çaplı matkap ucu ile delmenizi tavsiye ederiz.

**6.6.5 Seramik ve fayans delme**

- Normal delme/darbeli delme değiştirme şalterini (3) A pozisyonuna (normal delme) ayarlayın ve deliğin ön delme işlemini gerçekleştirin.
- Matkap ucu seramikten/fayanstan geçtikten normal delme/darbeli delme değiştirme şalterini (3) B pozisyonuna (darbeli delme) ayarlayın.

**7. Elektrik kablosunun değiştirilmesi**

Bu aletin elektrik kablosu hasar gördüğünde oluşabilecek herhangi bir tehlikenin önlenmesi için kablo, üretici firma veya yetkili servis veya uzman bir personel tarafından değiştirilecektir.

**8. Temizleme, Bakım ve Yedek Parça Siparişi**

Temizleme çalışmasına başlamadan önce fişi prizden çıkarın.

**8.1 Temizleme**

- Koruma donanımları, hava delikleri ve motor gövdesini mümkün olduğunca toz ve kirden temiz tutun. Aleti temiz bir bez ile silin veya düşük basınçlı hava ile üfleterek temizleyin.
- Aleti her kullanmadan sonra temizlemenizi tavsiye ederiz.
- Aleti düzenli olarak nemli bir bez ve biraz sıvı sabun ile temizleyin. Temizleme işleminde deterjan veya solvent kullanmayın, zira bu temizleme maddeleri aletin plastik malzemelerine zarar verir. Aletin içine su girmemesine dikkat edin.

### 8.2 Kömür fırçalar

Aşırı kıvılcım oluştuğunda kömür fırçaların elektrikçi uzman personel tarafından kontrol edilmesini sağlayın.

Dikkat! Kömür fırçalar ancak elektrikçi uzman personel tarafından değiştirilmelidir.

### 8.3 Bakım

Cihazın içinde başka bakımı yapılacak parça bulunmaz.

### 8.4 Yedek parça siparişi:

Yedek parça siparişinde aşağıda açıklanan bilgiler verilecektir:

- Cihaz tipi
- Cihazın parça numarası
- Cihazın kod numarası
- İstenilen yedek parçanın yedek parça numarası

## 9. Bertaraf etme ve geri kazanım

Nakliye esnasında hasar görmesini önlemek için alet özel bir ambalaj içinde gönderilir. Bu ambalaj hammadde olup tekrar kullanılabilir veya geri kazanım prosesinde işlenerek hammaddeye dönüştürülebilir.

Nakliye ve aksesuarları örneğin metal ve plastik gibi çeşitli malzemelerden meydana gelir. Arızalı parçaları özel atık bertaraf etme sistemine verin. Bu sistemin nerede olduğunu bayinizden veya yerel yönetimlerden öğrenebilirsiniz!

**Kullanım ömrü: 10 yıl**

### İthalatçı Firma;

İntratek Mühendislik ve Dış Tic.A.Ş.  
Atatürk Mah. Girne Cd. No:45 34750  
K.Bakkalköy-Kadıköy/İstanbul/TÜRKİYE  
Tel : +90 (0) 216 456 60 60  
Fax: +90 (0) 216 456 60 84

# GARANTİ BELGESİ

**Maestro®**

**Matkap**

**Model  
MID 650 E**

## Sanayi ve Ticaret Bakanlığı

Belge izin tarihi : 29/12/2008  
Belge numarası : 64011  
Garanti süresi : 2 yıl  
Azami tamir süresi : 30 iş günü

Bandrol ve seri no :  
Fatura tarih/no :  
Teslim tarihi :

## İTHALATÇI FIRMA

Ünvanı : İNTRATEK Mühendislik ve Dış Tic. A.Ş.  
Adresi : Atatürk Mah. Girne Cd. No.43-45  
34750 Kuşçubakkalköy / İstanbul  
Telefon : 0 216 456 60 60  
Faks : 0 216 456 60 84

## SATICI FIRMA

Ünvanı :  
Adresi :  
Telefon :  
Faks :

**Kaşe - Yetkilil İmza**

**Kaşe - Yetkilil İmza**



## GARANTİ ŞARTLARI

- Garanti süresi malın teslim tarihinden başlar ve 2 (iki) yıldır.
- Malın bütün parçaları dahil olmak üzere tamamı firmamızın garantisine kapsamındadır.
- Malın garanti süresi içinde arızalanması durumunda, tamirde geçen süre garanti süresine eklenir. Malın tamir süresi en fazla otuz iş günüdür. Bu süre, mala ilişkin arızanın servis istasyonuna, servis istasyonunun olmaması durumunda, malın satıcısı, bayii, acentası, temsilciliği, ithalatçısı veya imalatçısı - üreticisinden birisine bildirim tarihinden itibaren başlar. Malın arızasının 15 iş günü içerisinde giderilmemesi halinde, imalatçı üretici veya ithalatçı, malın tamiri tamamlanıncaya kadar, benzer özelliklere sahip başka bir sanayi malı tüketicinin kullanımına tahsis et-mek zorundadır.
- Malın garanti süresi içinde, gerek matzeme ve işçilik, gerekse montaj hatalarından dolayı arızalanması halinde, işçilik masrafı, değiştirilen parça bedeli ya da başka herhangi bir ad altında hiçbir ücret talep edilmeksizin tamiri yapılacaktır.
- Tüketicinin onanın hakkını kullanmasına rağmen malın,
  - Tüketicie teslim edildiği tarihten itibaren, belirlenen garanti süresi içinde kalmak kaydıyla bir yıl içerisinde, aynı arızayı ikiden fazla tekrarlama veya farklı arızaların dörtten fazla meydana gelmesi veya belirlenen garanti süresi içerisinde farklı arızaların toplamının altıdan fazla olması unsurlarının yanı sıra, bu arızaların maldan yararlanamamayı süreklil kılması,
  - Tamiri için gereken azami sürenin aşılması,
  - Firmanın servis istasyonunun, servis istasyonunun mevcut olmaması halinde sırasıyla satıcısı, bayii, acentesi, temsilciliği, ithalatçısı veya imalatçısı - üreticisinden birisinin düzenleyeceği raporla arızanın tamirinin mümkün bulunmadığının belirlenmesi,durumlarında, tüketici malın ücretsiz olarak değiştirilmesini, bedel iadesi veya ayıp oranında bedel indirimini talep edebilir
- Malın kullanma kılavuzunda yer alan hususlara aykırı kullanılmasından kaynaklanan arızalar garanti kapsamı dışındadır.
- Garanti belgesi ile ilgili olarak çıkabilecek sorunlar için Sanayi ve Ticaret Bakanlığı, Tüketicinin ve Rekabetin Korunması Genel Müdürlüğüne başvurulabilir.

## GARANTİ KONUSUNDA TÜKETİCİNİN DİKKAT ETMESİ GEREKEN HUSUSLAR

İNTRATEK A.Ş. tarafından verilen bu garanti aşağıdaki durumlarda geçerli değildir.

- Kullanma kılavuzunda tarif edilen şeklin dışında kullanımdan dolayı meydana gelen arızalar.
- Malın tüketicie teslim tarihinden itibaren yüklenme, boşaltma ve taşıma sırasında düşme ve çarpma dolayısıyla meydana gelen hasarlar.

**Garanti belgesinde ve malın üzerindeki seri numarasında tahriyat yapıldığı takdirde bu garanti belgesi geçersizdir.**

**Bu Garanti Belgesi'nin kullanılmasına 4077 sayılı Tüketicinin Korunması Hakkında Kanun ile bu Kanun'a dayanarak yürürlüğe konulan Garanti Belgesi Uygulama Esaslarına Dair Yönetmelik eynenince T.C. Sanayi ve Ticaret Bakanlığı, Tüketicinin ve Rekabetin Korunması Genel Müdürlüğü tarafından izin verilmiştir.**

## YETKİLİ TEKNİK SERVİS LİSTESİ

İL-İLÇE	YETKİLİ	ADRES	TELEFON	
1	MERKEZ	INTRATEK A.Ş.	Atatürk Mah. Girne Cad. No.43-45	0216 456 60 60
2	İSTANBUL,KÜÇÜKBAKKALKÖY	MERKEZ SERVİS	Atatürk Mah. Alemdaroğlu Sk. No.12	0216 456 60 60
3	İSTANBUL,ÜMRANİYE	ALTINEL BOBİNAJ	Yukarı Duduluğu Bostancı Yolu Kerem Sk. No.2/A	0216 540 28 77
4	İSTANBUL,KARTAL	FERAY BOBİNAJ	Karlıktepe Mah. Soğanlık Cad. Erenler Camii Altı	0216 353 14 08
5	İSTANBUL,KARTAL	BAYSAL MAKİNA	Eski Yakacık Cad. Stad çıkması No.4/C	0216 473 67 12
6	İSTANBUL,TOPKAPI	ZENMAK TİCARET	Fazlıpaşa Cad.Fazlıpaşa Sit.No.5	0212 612 50 83
7	İSTANBUL,OKMEYDANI	TUĞRA ELEK.MEK.	Perpa Ticaret merkezi B Blok No.1988 Perpa	0212 320 59 80
8	İSTANBUL,KÜÇÜKÇEKMECE	AYPAZ ELEKTRİK	Fevziçakmak Mah.Ahmet Kocabayrak Sok. No.23/4	0212 580 96 39
9	İSTANBUL,BÜYÜKÇEKMECE	SERMAK MAKİNA ELEKTRİK	Beykent Sit.Atatürk cd.Tuna sk.Cumhuriyet Mah.No.24	0212 872 00 66
10	İSTANBUL,KARAKÖY	YILDIRIM BOBİNAJ	Tersane Cad. Tiryakioğlu İş hanı Kat.1	0212 361 78 89
11	ADAPAZARI	AOG ELEKTRİK	Adnan Menderes Cad. Saka Sitesi No.18/C	0264 273 43 18
12	ADAPAZARI	KARDEŞLER BOBİNAJ	Başpınar Mahallesi Bağdat Cad.No.4	0264 614 82 12
13	ADAPAZARI/DÜZCE	TEKNİK İŞ BOBİNAJ	Şerefliye Mahallesi Çınlar Sokak No.22/C	0380 524 57 23
14	ADANA	ÖZİŞİKLAR ELEKTRİK	Ulucami Mah.Kızılay cad.19.Sk.No.20/A	0322 352 18 24
15	ADİYAMAN	KÖYLÜ BOBİNAJ	Siratut Mah.411. Sokak No.9	0416 214 41 87
16	ADİYAMAN/KAHTA	METİN BOBİNAJ	Firat Mahallesi Ebu Sadık Cad.No.40	0416 725 55 07
17	AFYON	EMEK İŞ BOBİNAJ	Dumlupınar MAH.Menderes Cad.Karahisar Apt.A blok	0272 212 11 32
18	AYDIN/MERKEZ	HAM TEKNİK BOBİNAJ	1.Sanayi Sit.San.Caddesi 250.Sk.No.1/D	0256 212 58 99
19	AYDIN/SÖKE	SAVŞ BOBİNAJ	Söke Sanayi Sitesi Demirciler Cad.E/4 Söke	0256 518 18 13
20	AKSARAY	ÇEKİMLER ELEKTRİK	Yeni Sanayi 10 Blok No.1	0382 215 11 03
21	ALANYA	ÜĞÜR TİCARET	Kurtdereli Caddesi No.44	0242 515 08 71
22	AMASYA	TEKNİK BOBİNAJ	Kırızlı Dere Mah.Meşe Sok.No.2	0358 218 26 82
23	AMASYA	AKTİF BOBİNAJ	Üçler Mah. Değirmenli Sok. No.7/A	0358 218 66 32
24	ANTALYA	EBA ELEKTRİK BOBİNAJ	Sanayi Sitesi 682. Sokak No.38	0242 345 36 22
25	ANTALYA	SARGIN BOBİNAJ	Eski Sanayi Sitesi 679 Sokak No.4	0242 334 11 81
26	ANTALYA/MANAVGAT	AYDIN BOBİNAJ	Sanayi Sitesi Girişi 1068.Sokak No.19	0242 743 16 91
27	ANTALYA/KUMLUCA	ÖĞÜZLAR ELEKTRİK	Yeni Mah.Ahmet Ali Ağa Bk.Denizliyoğlu Cad.Jale apt.No.70/D	0242 887 76 61
28	ANTAKYA/HATAÇ	PAKİŞ BOBİNAJ	Kurtuluş Cad. No.156	0326 215 64 73
29	ANKARA	ORHAN BOBİNAJ	Akçakale Sok. No.4/6	0312 350 95 29
30	ANKARA/SİNCAN	İNAN ELEKTRİK BOBİNAJ	Sanayi Sitesi 3.Cadde Oba iş hanı No.32/B	0312 276 96 83
31	ANKARA/ÖSTİM/ENERJİ	YILDIRIM GÜÇ SİSTEMLERİ	Alınteri Bulvarı Gül Yapı Koop.No.1/66	0312 386 17 10
32	ANKARA/SİTELER	SEMİZ MAKİNA	Koçak Sok. No.53	0312 353 58 06
33	ANKARA/ÖSTİM	DEMİR TİCARET	İvedik Organize Sanayi Uyumuulu Sit.21.Cad.No.26	0312 395 40 20
34	BALIKESİR	BAŞDEMİR BOBİNAJ	6 Eylül Mah.uzun döşeme sk. No.41/A	0266 239 86 26
35	BANDIRMA	KURTLAR BOBİNAJ	Atatürk Caddesi No.211	0266 713 38 88
36	BARTIN	YURTBAY BOBİNAJ	Sanayi Sitesi Camii Altı No.17	0378 228 23 63
37	BATMAN	TOPIZ BOBİNAJ	Otogar Karşısı 1512 Sokak No.50	0488 214 87 70
38	BATMAN	AKTİF BOBİNAJ	Yeni Mahalle 1008 Sokak No.8	0488 214 56 64
39	BURSA/BENZİNLİ GRUP	MANAS MOTOR	Uluyol Fırın Sokak No.1-A	0224 255 13 06
40	BURSA	ATAK BOBİNAJ	Uluyol Güler Sokak No.16	0224 252 63 43
41	BURSA	SÜPER TEKNİK BOBİNAJ	Gazıcılar Caddesi No.156	0224 251 91 17
42	BURSA/M.KEMAL PAŞA	MAHMUT BOBİNAJ	Sanayi sitesi 17. Blok No.5	0224 618 01 01
43	BURSA/İNEGÖL	DOĞAN BOBİNAJ	Ankara Cad.K.San.Sit.Cevat Parman Sok.No.1/A	0224 713 36 14
44	BURDUR	YILDIRIM BOBİNAJ	Özgür Mahallesi Cümbüşlü Caddesi No.37/B	0248 233 76 96
45	BURDUR/BUCAK	ÖZBEK ELEKTRİK BOBİNAJ	Oğuzhan San.Sit. No.38	0248 515 64 70
46	BOLU	TÜRKOĞLU ELEKTRİK	İzzet Baysal Caddesi No.251/A	0374 213 63 89
47	BODRUM	EGE BOBİNAJ	Atatürk Bulvarı Tansaş Karşısı	0252 319 10 50
48	BODRUM / BAHÇE GRUBU	KÜÇÜK ÇİFTLİK PET & GARDEN	Atatürk Bulvarı No.14/A	0252 319 19 15
49	ÇORLU	ELEKTROGAZ 2	Kumyolu Caddesi No15/A	0282 654 27 76
50	ÇORLU	ELMOŞAN BOBİNAJ	Gülabbey Mah.Hamidiye 4.Sok.No.8/C	0364 212 59 46
51	ÇANAKKALE/BİGA	OVALI BOBİNAJ	İstiklal Caddesi No.160	0286 316 49 66
52	ÇANKIRI	ELVAN BOBİNAJ	Atatürk Bulvarı Anıl İş hanı No.12	0376 212 14 56
53	ÇANKIRI	AYDAN SOĞUTMA	Yeni Mahalle İstanbul Cadesi Beğlona Karş.	0376 416 44 45
54	DENİZLİ	GÜVEN BOBİNAJ	Eski Sarayköy Cad. Tamaoğlu İş hanı D Blok No.3	0258 263 02 32
55	DENİZLİ	NUR BOBİNAJ	1.Sanayi Sitesi 156.Sokak No.16	0258 262 12 86
56	DIYARBAKIR	VURANEL ELEKTRİK	Peyas Mah.Firat Bld.63.Sok.Çelebi 4 Apt.Alıh No.27/D	0412 252 48 58
57	DIYARBAKIR	VOLTAN BOBİNAJ	1.Sanayi Sitesi B-5 No.6	0412 237 60 21
58	ESKİŞEHİR	BERAT BOBİNAJ	Güllük Mahallesi Hat Boyu cad.No.43/A	0222 323 23 79
59	EDİRNE	ERAY BOBİNAJ	Küçük Sanayi Sitesi 12.Blok No.9	0284 225 26 92
60	ELBİSTAN	ÖMER BOBİNAJ	Güneşli Mahallesi Mert Sokak No.6	0344 413 17 46

## YETKİLİ TEKNİK SERVİS LİSTESİ

İL-İLÇE	YETKİLİ SERVİS	ADRES	TELEFON	
61	ELAZIĞ	KALENDER BOBİNAJ	Sanayi Sitesi 11, Sokak No.43	0424 224 85 01
62	ERZURUM	ÜMIT TEKNİK	Bakırca Mah,Cennet Çeşme Cad.	0442 235 05 72
63	ERZURUM	BURSAN BOBİNAJ	Sanayi Sitesi 5, Blok No.135	0442 234 58 29
64	ERZİNCAN	KÖRFEZ ELEKTRİK	Sanayi Çarşısı 770 Sokak No.71	0446 223 09 59
65	GAZİANTEP	KILIÇ BOBİNAJ	İsmetpaşa Mahallesi 1.Nolu Cadde No.3/B	0442 230 25 48
66	GAZİANTEP	KEN-MAKSAN TİCARET	Kurtuluş Mahallesi Şenyeri Caddesi No.22/A	0342 232 67 06
67	GİRESUN	YÜCELLER SOĞUTMA	Hacı Miktat Mahallesi Anafur Sokak No.32/B	0454 212 09 18
68	GİRESUN	ÖZCAN TEKNİK	Hacı Sıyam Mahallesi Fatih Cad.No.94/B	0454 212 17 35
69	HOPA/ARTVIN	YILDIZ ÖZEL MOTOR SERVİSİ	Yeni San, Sit,D.2 No.10	0466 351 57 76
70	İSPARTA	YUNUS ELEKTRİK BOBİNAJ	Eski Sanayi Mah.3215 Sk. No.18	0246 218 73 97
71	İSKENDERUN	ULUSAL TEKNİK	Sanayi Sitesi 324/1 Sok. No.8	0262 616 09 31
72	İZMİT	BOZKURT BOBİNAJ	Körfez Sanayi Sitesi Yeni İlaveler 4.Blok No.12	0262 335 22 18
73	İZMİT	GÜÇ MÜHENDİSLİK	Körfez Sanayi Sitesi 13. Blok No.17	0262 335 33 24
74	İZMİT	TEKNİK KAROT	Gaziler Mah. İbrahimpaşa Cad. No.125 Gebze	0262 642 72 78
75	İZMİR/KARABAĞLAR	BARİS BOBİNAJ	4005 Sokak No.11 Kaymakımyu Cami Arkası	0232 253 25 59
76	İZMİR/BORNOVA	AYDIN BOBİNAJ	350 Sokak No.3	0232 486 39 57
77	İZMİR/ÇANKAYA	HIZVER BOBİNAJ	1361 Sokak No.5	0232 484 03 28
78	KAYSERİ/BAHÇE GRUBU	ORMANCI MOTOR TİCARET	Eski Sanayi Bölgesi 3.Cadde No.49	0352 320 18 26
79	KAYSERİ	BİRLİK ELEKTRİK BOBİNAJ	Sanayi Bölgesi 3. Cadde No.26	0352 336 16 24
80	KAYSERİ(JENERATÖR)	AKYILDIZ MOTOR	Eski Sanayi Bölgesi 3.Cad.No.41	0352 336 52 14
81	KONYA	YAVUZHAN BOBİNAJ	Karatay Sanayi Çobandede Sok No.20	0332 233 29 60
82	KONYA	YAMAN BOBİNAJ	Karatay Sanayi Erkanlı Sokak No.27	0332 237 38 20
83	KARABÜK	DAMLAL ELEKTRİK BOBİNAJ	Hürriyet Mahallesi İnönü Cad.Aktaş Sok.No.17/B	0370 412 77 00
84	KAHRAMANMARAŞ	ONUR BOBİNAJ	Yeni Sanayi Sitesi 23.Çarşı No.33	0344 236 10 24
85	KASTAMONU	NUR BOBİNAJ	Sanayi Sitesi Cami Caddesi No.43	0366 214 61 18
86	KİRŞEHİR	EMEK BOBİNAJ	Kilçözü San.Sit.23. Blok N.2	0386 252 62 40
87	KİRŞEHİR/KAMAN	DOĞAN BOBİNAJ	Cuma Mahallesi, Ömer Hanık Cad.No.19	0386 712 47 96
88	KUŞADASI	TEKNİK BOBİNAJ	Sanayi Sitesi C Blok N.8	0256 622 28 15
89	MARDİN/KIZILTEPE	KILIMLILER İSITMA VE SOĞUTMA	2.Cadde Emin Apt,Altı No.26 B/6	0482 312 66 77
90	MALATYA	KAPLAN BOBİNAJ	Yeni San.Sit.6.Cad.4.Sok.No.11	0422 336 92 67
91	MANİŞA	ENSAR BOBİNAJ	Kenan Evren San.Sit.1225/17	0236 233 12 08
92	MUĞLA/FETHİYE	ONARIM BOBİNAJ	Sanayi Sitesi 3.Yol 254 Sok.No.56 Fethiye	0252 612 27 42
93	MUĞLA	ÇAĞUŞOĞLU BOBİNAJ	Milas San. Sitesi 3.Cadde No.54	0252 513 10 10
94	MARMARİS	EYÜP BOBİNAJ	Essan Sitesi A blok No.1	0252 412 14 50
95	MARMARİS	TEKNİK MAKİNA	Ulusal Egemenlik Cad.No.71	0252 413 16 00
96	MERSİN	ÇOŞKUN BOBİNAJ	Bahçe Mahallesi 4625 Sokak No.11/A	0342 337 31 61
97	NEVŞEHİR	ÇİFTGÜÇ ELEKTRİK	Yeni Sanayi Sitesi 8. Blok No.53	0384 213 19 96
98	RİZE	KALENDER MOTOR BOBİNAJ	Sanayi Girişi No.6	0464 226 05 40
99	RİZE	AKSOY BOBİNAJ	Çarşı Mahallesi Hacı Eşref Cad.No.29/A	0464 214 80 99
100	RİZE	YELKENLER GEÇİT MOTOR	Piri Çelebi Mah,Alev Apt,Altı Kale Yolu Üzeri	0464 212 28 08
101	RİZE/ÇAYELİ	PİNDAZ ELEKTRİK BOBİNAJ	Yeni Belediye Sitesi Altı Petrol Ofisi karşısı	0464 532 29 28
102	SAMSUN	İMAS SERVİS TEKNİK BOBİNAJ	Grup Sanayi Sitesi Ulus Cad. No.35/C	0362 238 76 26
103	SAMSUN	AKIŞ BOBİNAJ	Sanayi Sitesi Ulus Caddesi No.37	0362 238 07 23
104	SAMSUN/BAFRA	İŞLİDAK BOBİNAJ	Alaçam Caddesi Belediye Dükkanları No.115	0362 543 10 49
105	SİVAS	BURŞAL ELEKTRİK	Şehitler Caddesi üzeri No.27/A	0346 223 47 92
106	SİVAS (JENERATÖR)	ANC TEKNİK MOTOR	Eski Sanayi Çarşısı 35.Sokak No.8	0346 223 56 51
107	SİLİVRİ	ONAR MAKİNA	Piri Paşa Mahallesi Burnan Soyaktan Sokak No.21	0212 727 32 03
108	ŞANLIURFA	HAKAN BOBİNAJ	Sanayi Sitesi Cesur Cad.No.19	0414 316 69 98
109	ŞANLIURFA	MİSİRLİ BOBİNAJ	Sanayi Sitesi 1. Cadde No.49/A	0414 315 96 93
110	TOKAT	ÇETİN BOBİNAJ	Sanayi Sitesi Cami Altı No.22 Tokat	0356 214 63 07
111	TRABZON	ÖZEN BOBİNAJ	Demirkırlar cami altı No.11	0462 325 43 23
112	TRABZON	KONAK TİCARET	Kunduruacılar Caddesi No.20	0462 321 86 46
113	VAN	DOSTLAR BOBİNAJ	Ordu Caddesi Japon Pasajı No.80	0432 213 36 15
114	VAN	ÖZEN ELEKTRİK BOBİNAJ	Cumhuriyet Caddesi Alçekiç Pasajı No.12	0432 214 22 20
115	VAN - ERCİŞ	ÇEVİK BOBİNAJ	Kışla Caddesi Ordu evi önü	0432 351 53 32
116	YALOVA	MARMARA TİCARET	Kirazlı San.Sit. C-2 Blok No.51	0226 825 37 59
117	YALOVA/JENERATÖR	TEKNİK MOTOR	Kirazlı San.Sit. D Blok No.4	0226 825 34 60
118	YOZGAT	TEKNİK SOĞUTMA	Yeni Mahalle Hastane Cad.No.9/A	0354 415 02 03
119	YOZGAT/AKMAĞDENİ	İLERİSOY ELEKTRİK	Ahisavi Mahallesi İstiklal Cad.Yimpaş karşıısı	0354 314 57 69
120	ZONGULDAK	YILMAZLAR KOLLEKTİF	Fevkani Köprü Altı No.44	0372 251 25 73



## Konformitätserklärung

ISC-GmbH · Eschenstraße 6 · D-94405 Landau/Isar

- DE** erklärt folgende Konformität gemäß EU-Richtlinie und Normen für Artikel  
**EN** declares conformity with the EU Directive and standards marked below for the article  
**FR** déclare la conformité suivante selon la directive CE et les normes concernant l'article  
**ES** verklaart de volgende conformiteit in overeenstemming met de EU-richtlijn en normen voor het artikel  
**IT** dichiara la seguente conformità a tenor de la direttiva y normas de la UE para el artículo  
**PT** declara a seguinte conformidade de acordo com a diretiva CE e normas para o artigo  
**PL** forklarar följande överensstämmelse enl. EU-direktiv och standarder för artikeln  
**CZ** ilmoittaa seuraavaa Euroopan unionin direktiivien ja normien mukaista yhdenmukaisuutta tuotteelle  
**SK** erklærer herved følgende samsvar med EU-direktiv og standarder for artikkel  
**HR** заявляє о відповідності товару наступующим директивам и нормам ЕС  
**SI** izjavljuje sljedeće uskladenost s odredbama i normama EU za artikl.  
**LT** deklarą următoarea conformitate cu linia directoare CE și normele valabile pentru articolul.  
**LV** ūrūn ilē līguli olarak AB Yönetmelikleri ve Normları gereğince aşağıdaki uygululuk açikla masını sunar.  
**EL** δηλώνει την ακόλουθη συμμόρφωση σύμφωνα με την Οδηγία ΕΕ και τα πρότυπα για το προϊόν

- IT** dichiara la seguente conformità secondo la direttiva UE e le norme per l'articolo  
**EN** attesterer følgende overensstemmelse i henhold til EU-direktiv og standarder for produkt  
**FR** proklašuje následující shodu podle smérnice EU a norem pro výrobek.  
**ES** a következó konformitást jelenti ki a termékere vonatkozó EU-irányvonalak és normák szerint  
**PT** pojasnjuje sledečo skladnost po smernici EU in normah za artikel.  
**PL** deklaruje zgodność wymienionego ponizej artykułu z następującymi normami na podstawie dyrektywy UE.  
**CZ** vydáva nasledujúce prehlásenie o zhode podľa smernice EU a noriem pre výrobok.  
**SK** декларира следното съответствие съгласно директивите и нормите на ЕС за продукта.  
**HR** заявља про відповідність згідно з Директивою ЄС та стандартами, чинними для даного товару  
**SI** deklarirerir vastavuse järgnevatete EL direktiivi dele ja normidele  
**LT** deklaruoja atitiktį pagal ES direktyvas ir normas  
**LV** straipsnii izjaviļjuje sledeci konformitet u skladu s odred bom EZ i normama za artikl  
**EL** Atbilstības sertifikāts apliecina zemāk minēto preču atbilstību ES direktīvam un standartiem  
**EN** Samræmisvifýsing staðfestir eftirfarandi samræmi samkvæmt reglum Evrópubandalagsins og stöðlum fyrir vörur

## Schlagbohrmaschine MID 650 E

- |                                     |             |                          |                        |
|-------------------------------------|-------------|--------------------------|------------------------|
| <input checked="" type="checkbox"/> | 98/37/EC    | <input type="checkbox"/> | 87/404/EEC             |
| <input checked="" type="checkbox"/> | 2006/95/EC  | <input type="checkbox"/> | R&TTED 1999/5/EC       |
| <input type="checkbox"/>            | 97/23/EC    | <input type="checkbox"/> | 2000/14/EG_2005/88/EC: |
| <input checked="" type="checkbox"/> | 2004/108/EC | <input type="checkbox"/> | 95/54/EC:              |
| <input type="checkbox"/>            | 90/396/EEC  | <input type="checkbox"/> | 97/68/EC:              |
| <input type="checkbox"/>            | 89/686/EEC  |                          |                        |

EN 60745-1; EN 60745-2-1; EN 55014-1;  
 EN 55014-2; EN 61000-3-2; EN 61000-3-3

Landau/Isar, den 02.07.2008

  
 Weichselgartner  
 General-Manager

  
 Mayr  
 Product-Management

Art.-Nr.: 42.586.74 I.-Nr.: 01018  
 Subject to change without notice

Archivierung: 4258659-42-4155050-08



☉ For EU countries only

Never place any electric tools in your household refuse.

To comply with European Directive 2002/96/EC concerning old electric and electronic equipment and its implementation in national laws, old electric tools have to be separated from other waste and disposed of in an environment-friendly fashion, e.g. by taking to a recycling depot.

Recycling alternative to the demand to return electrical devices:

As an alternative to returning the electrical device, the owner is obliged to cooperate in ensuring that the device is properly recycled if ownership is relinquished. This can also be done by handing over the used device to a returns center, which will dispose of it in accordance with national commercial and industrial waste management legislation. This does not apply to the accessories and auxiliary equipment without any electrical components which are included with the used device.

☉ Nur für EU-Länder

Werfen Sie Elektrowerkzeuge nicht in den Hausmüll!

Gemäß europäischer Richtlinie 2002/96/EG über Elektro- und Elektronik-Altgeräte und Umsetzung in nationales Recht müssen verbrauchte Elektrowerkzeuge getrennt gesammelt werden und einer umweltgerechten Wiederverwertung zugeführt werden.

Recycling-Alternative zur Rücksendeaufforderung:

Der Eigentümer des Elektrogerätes ist alternativ anstelle Rücksendung zur Mitwirkung bei der sachgerechten Verwertung im Falle der Eigentumsaufgabe verpflichtet. Das Altgerät kann hierfür auch einer Rücknahmestelle überlassen werden, die eine Beseitigung im Sinne der nationalen Kreislaufwirtschafts- und Abfallgesetze durchführt. Nicht betroffen sind den Altgeräten beigelegte Zubehörteile und Hilfsmittel ohne Elektrobestandteile.

☉ Numai pentru țări din UE

Nu aruncați uneltele electrice în gunoii menajer.

Conform liniei directoare europene 2002/96/CE referitoare la aparatele electrice și electronice vechi și aplicarea ei în dreptul național, aparatele electrice uzate trebuiesc adunate separat și supuse unei reciclări favorabile mediului înconjurător.

Alternativă de reciclare a solicitarea de înapoiere a aparatelor electrice:

Proprietarul aparatului electric este alternativ, în locul înapoierii aparatului, obligat de cooperare la valorificarea corespunzătoare a acestuia în cazul încetării raportului de proprietate. Aparatul vechi poate fi predat și la o secție de preluare care va efectua îndepărtarea lui în conformitatea cu legea națională referitoare la reciclare și deșeuri. Aici sunt excluse accesoriile și piesele auxiliare ale aparatului vechi fără componente electrice.

☉ Sadece AB Ülkeleri İçin Geçerlidir

Elektrikli cihazları çöpe atmayınız.

Elektrikli ve elektronik aletler ile ilgili 2002/96/AB nolu Avrupa Yönetmeliğince ve ilgili yönetmeliğin ulusal normalara uyarlanması sonucunda kullanılmış elektrikli aletler ayrıştırılmış olarak toplanacak ve çevreye zarar vermeyecek şekilde geri kazanım sistemlerine teslim edilecektir.

Kullanılmış Cihazların İadesi Yerine Uygulanacak Geri Dönüşüm Alternatifi:

Kullanılmış elektrikli alet ve cihaz sahipleri bu eşyalarını iade etme yerine alternatif olarak, yönetmeliklere uygun olarak çalışan geri dönüşüm merkezlerine vermekle yükümlüdür. Bunun için kullanılan cihaz, ulusal dönüşüm ekonomisi ve atık kanununa göre atıkların artılmasını sağlayan kullanılmış cihaz teslim alma yerine teslim edilecektir. Kullanılmış alet ve cihazlara eklenen ve elektrikli sistemi bulunmayan aksesuar ile yardımcı malzemeler bu düzenlemeden muaf tutulur.



Ⓒ

The reprinting or reproduction by any other means, in whole or in part, of documentation and papers accompanying products is permitted only with the express consent of ISC GmbH.

Ⓓ

Der Nachdruck oder sonstige Vervielfältigung von Dokumentation und Begleitpapieren der Produkte, auch auszugsweise ist nur mit ausdrücklicher Zustimmung der ISC GmbH zulässig.

Ⓔ

Imprimarea sau multiplicarea documentației și a hârtiilor însoțitoare a produselor, chiar și numai sub formă de extras, este permisă numai cu aprobarea expresă a firmei ISC GmbH.

Ⓙ

Ürünlerinin dokümantasyonu ve evraklarının kısmen olsa dahi kopyalanması veya başka şekilde çoğaltılması, yalnızca ISC GmbH firmasının özel onayı alınmak şartıyla serbesttir.

- Ⓒ Technical changes subject to change
- Ⓓ Technische Änderungen vorbehalten
- Ⓔ Se rezervă dreptul la modificări tehnice.
- Ⓙ Teknik değişiklikler olabilir