



**Einhell**  
**EXPERT**

**GE-TM 102 B&S**

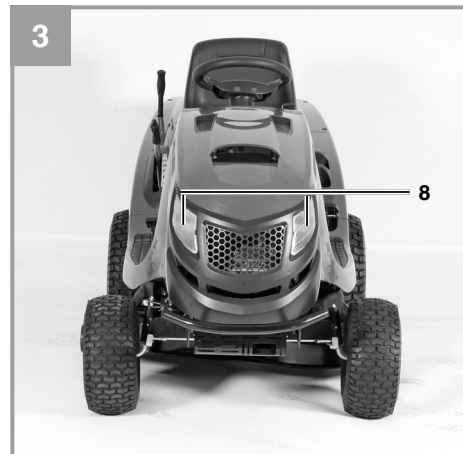
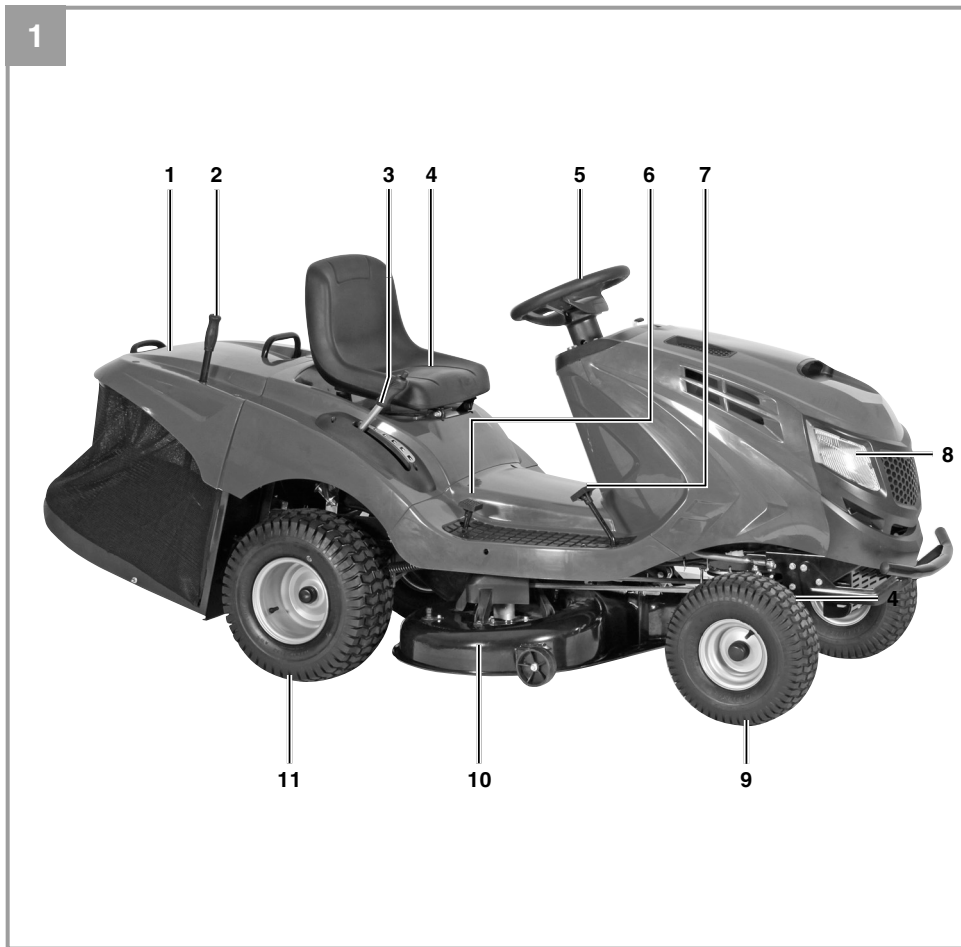
- 
- D** Produktabbildungen  
zur Originalbetriebsanleitung  
Traktor-Rasenmäher
- GB** Product Illustrations for the  
Original Operating Instructions  
Lawn Tractor
- F** Illustrations du produit pour le  
mode d'emploi d'origine  
Tracteur tondeuse

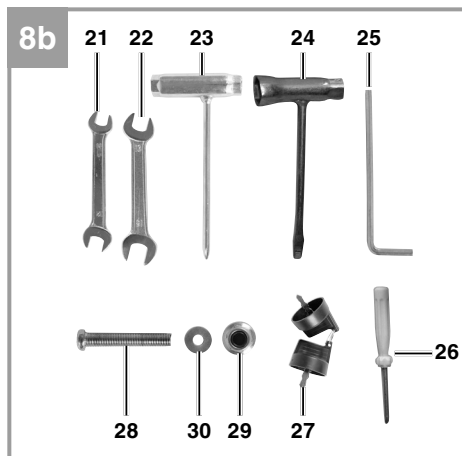
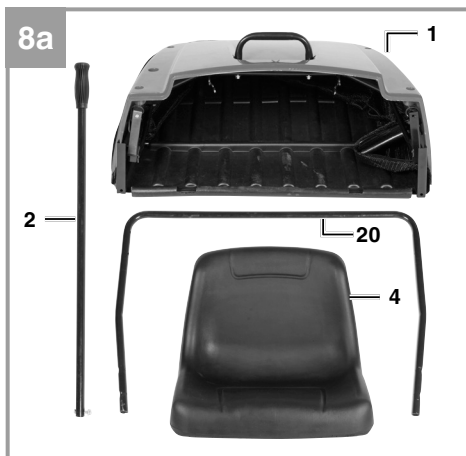
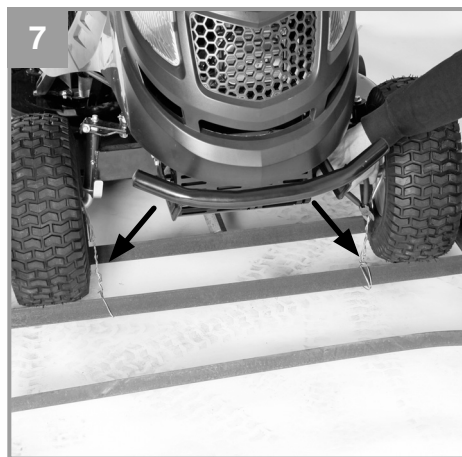
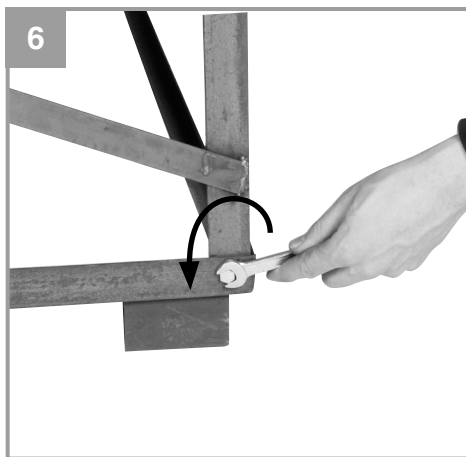
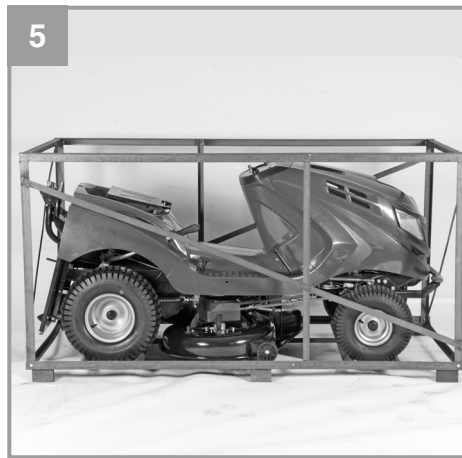
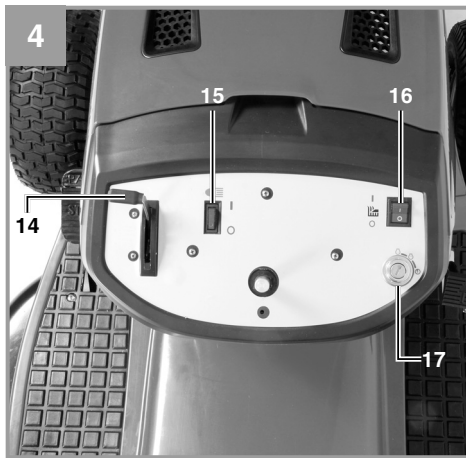
7 CE

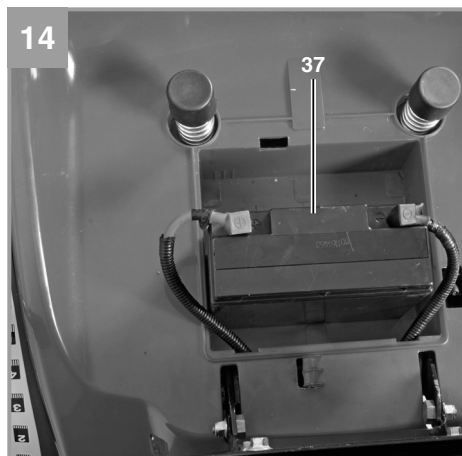
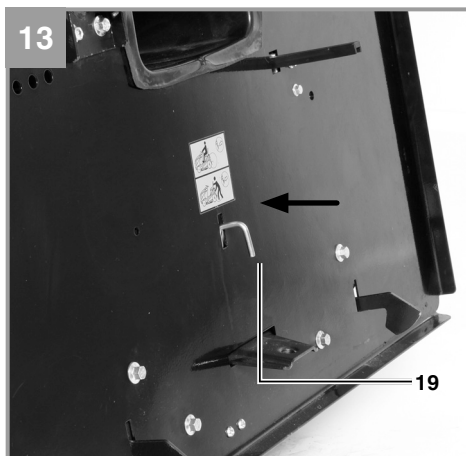
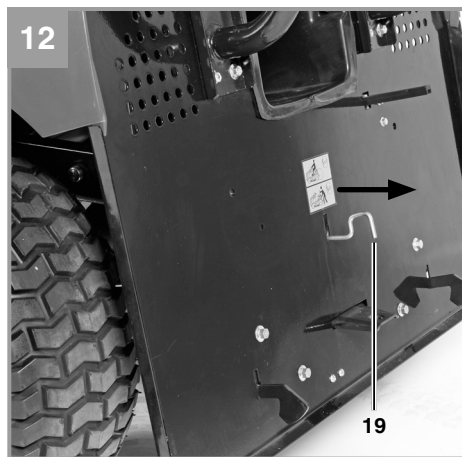
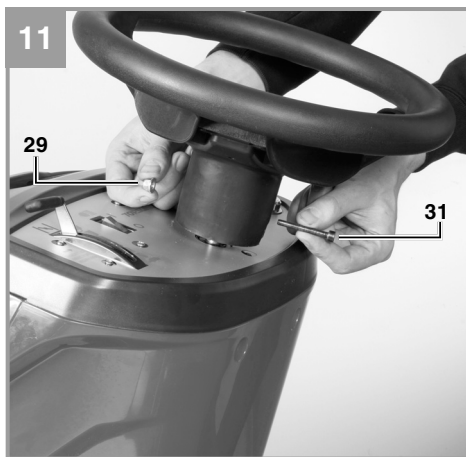
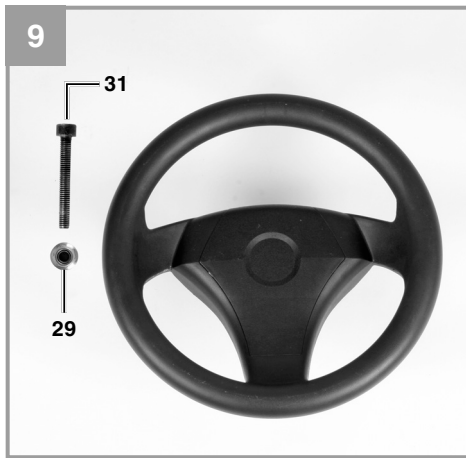
---

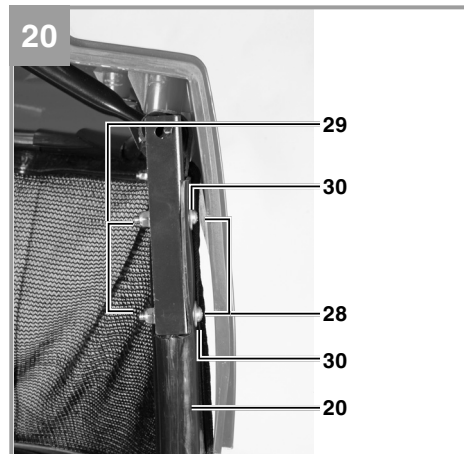
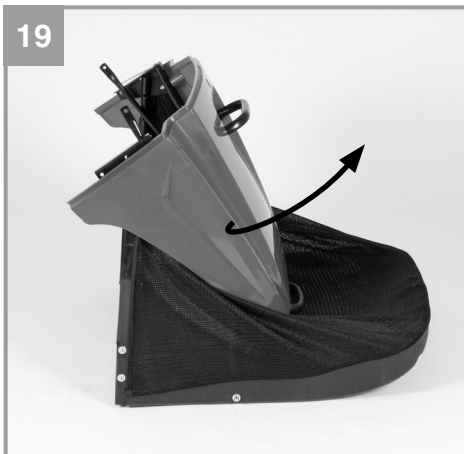
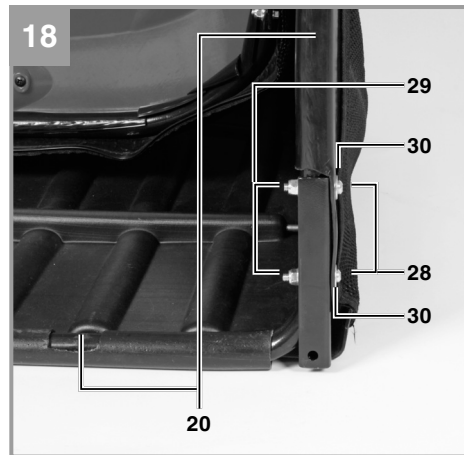
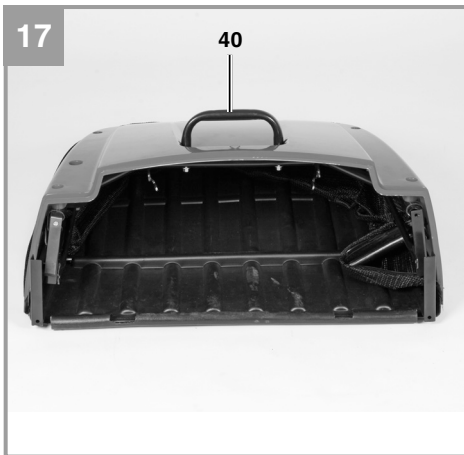
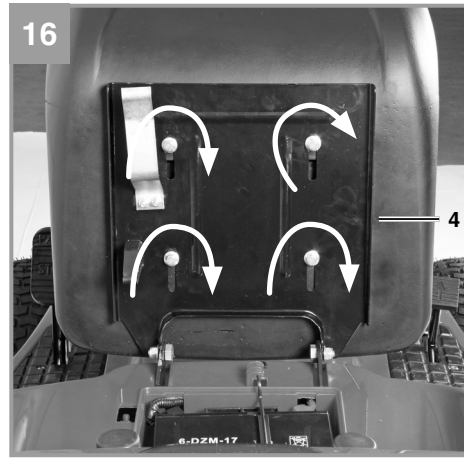
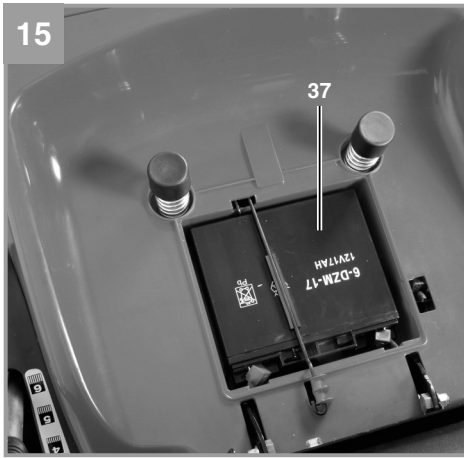
Art.-Nr.: 34.006.20

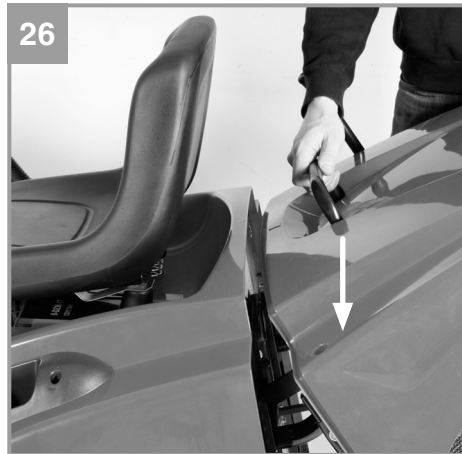
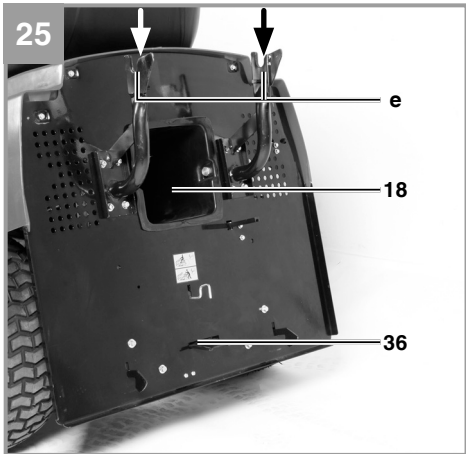
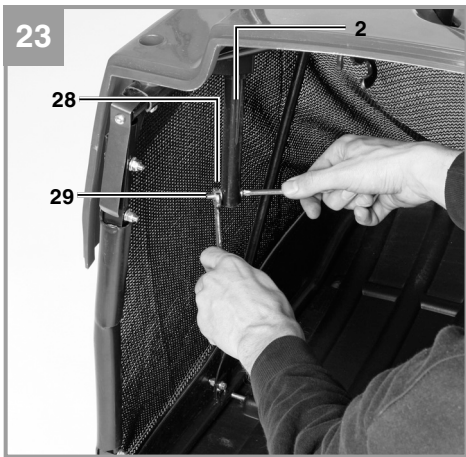
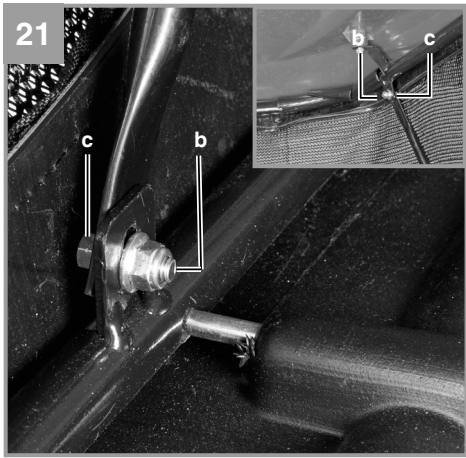
I.-Nr.: 11012

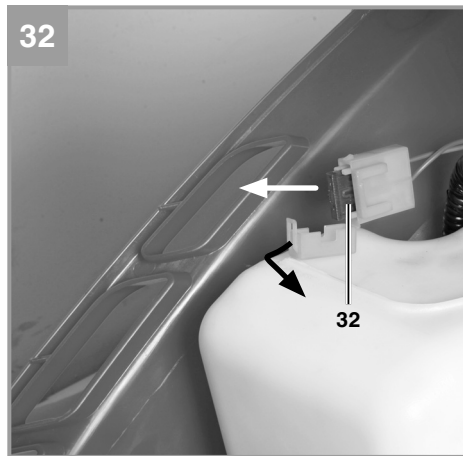
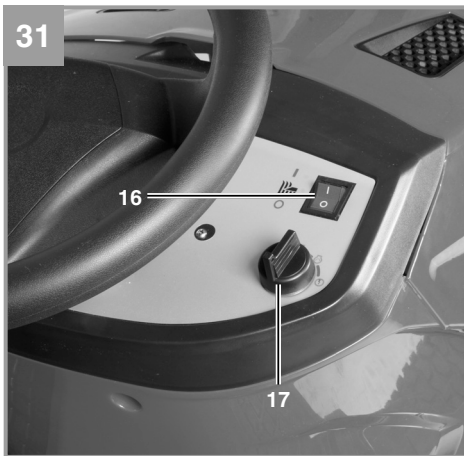
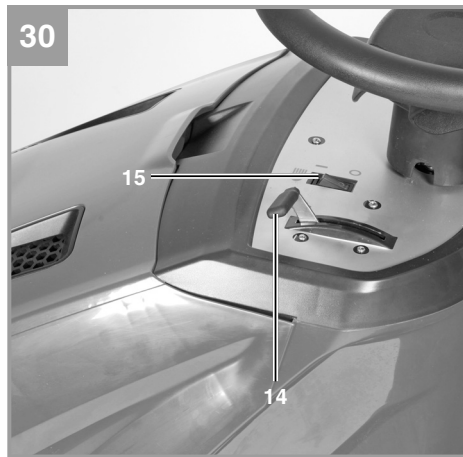
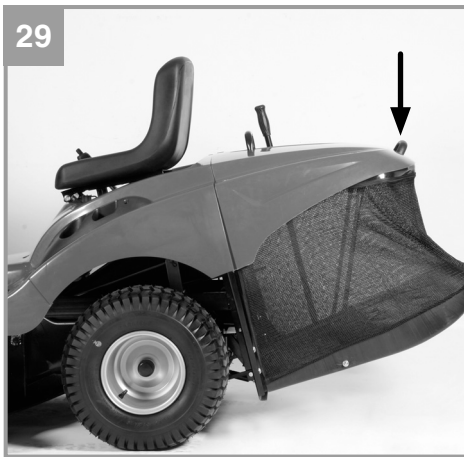
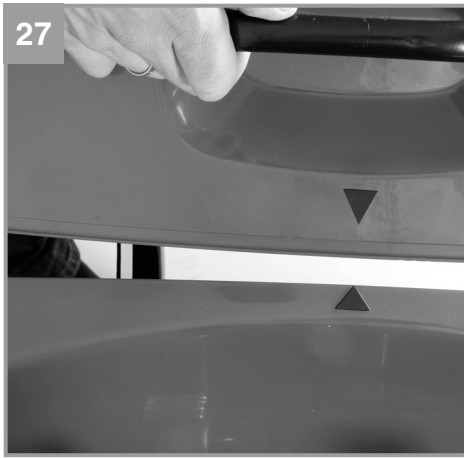


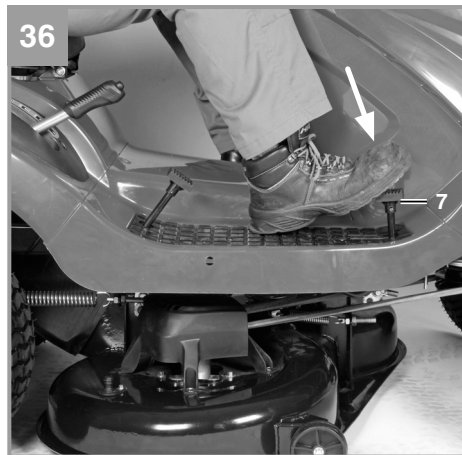
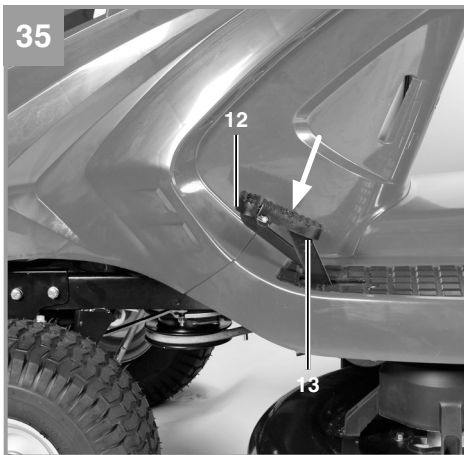
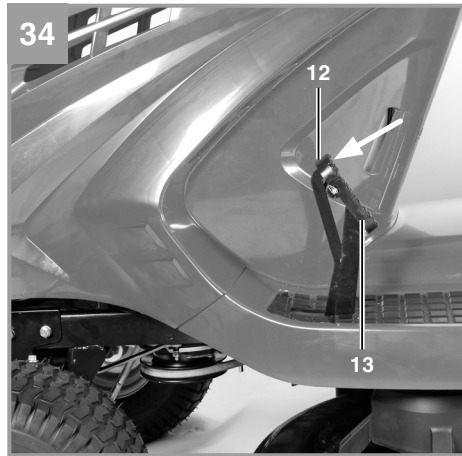
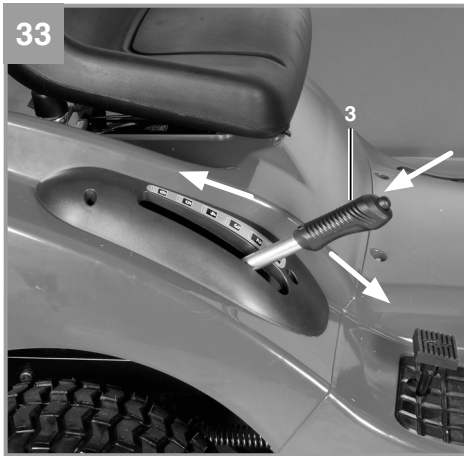




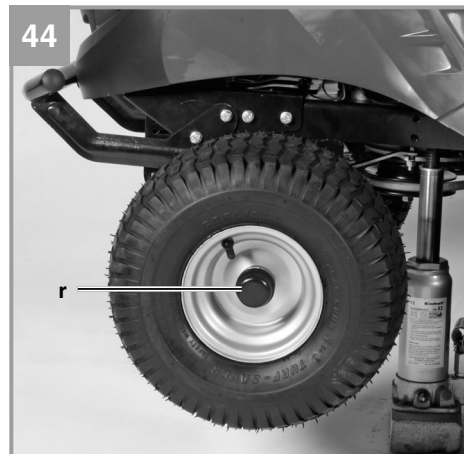
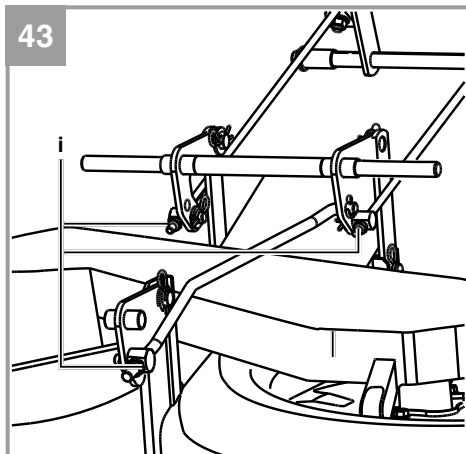
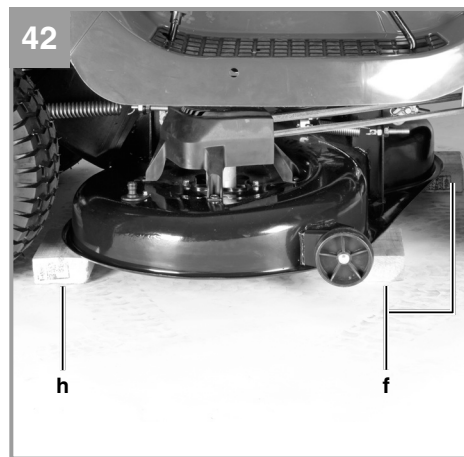
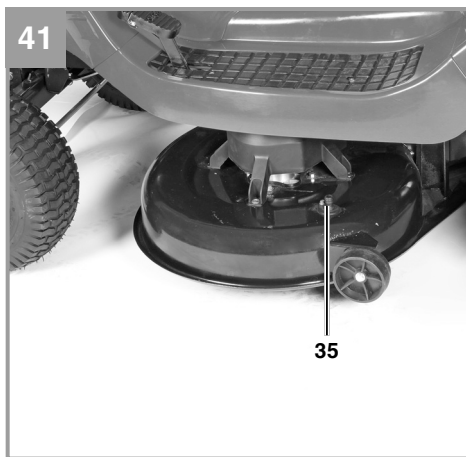
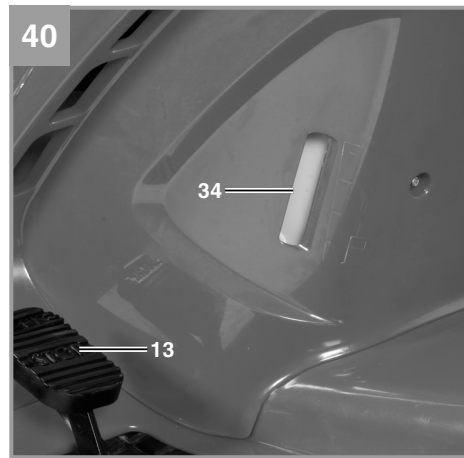


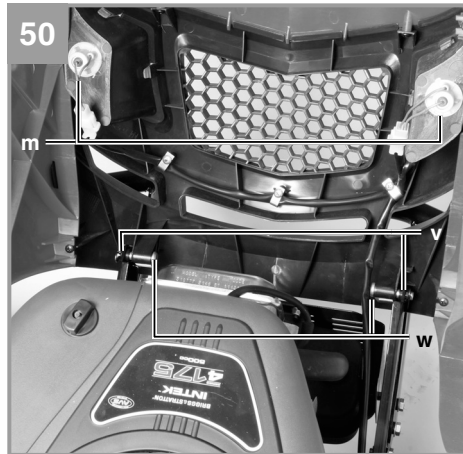
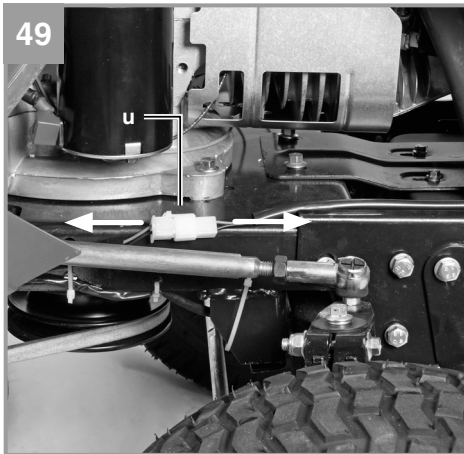
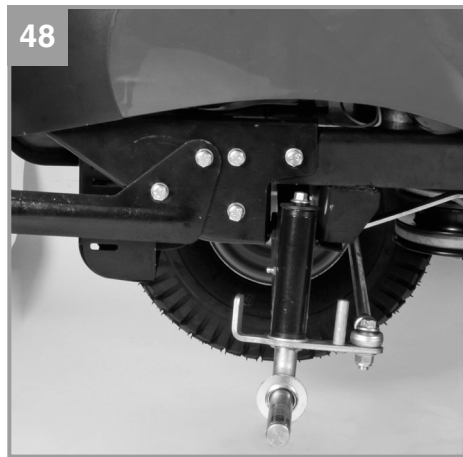
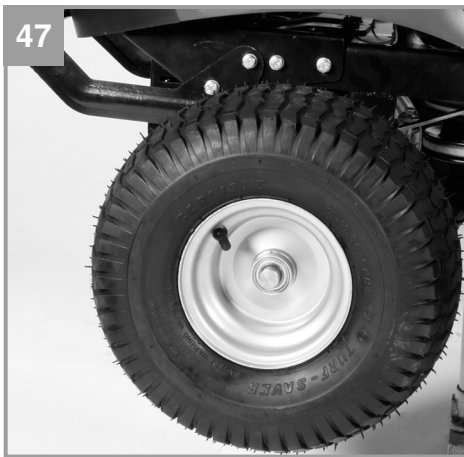
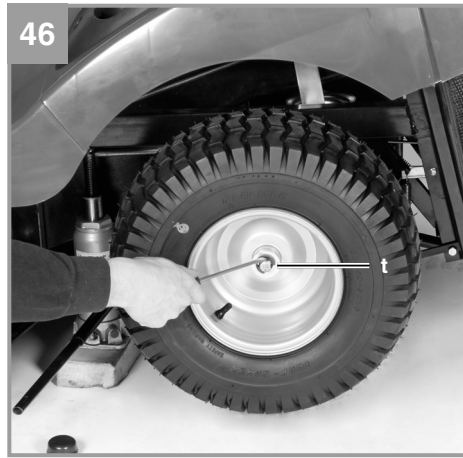


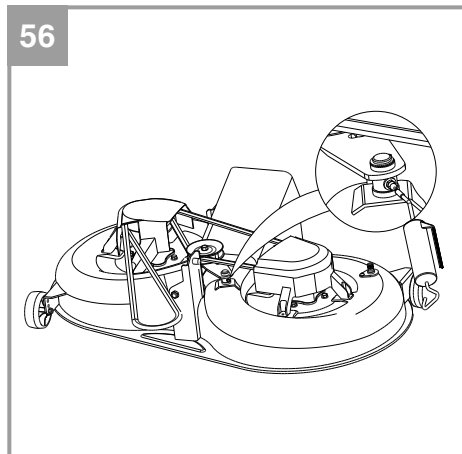
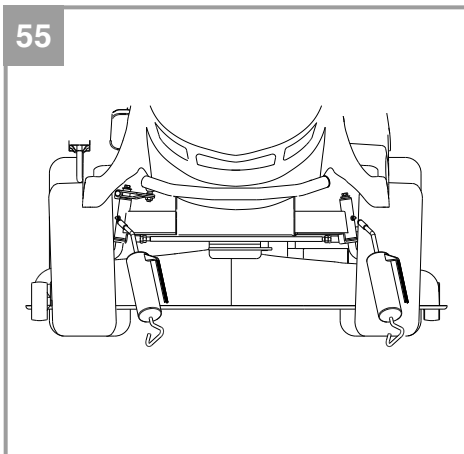
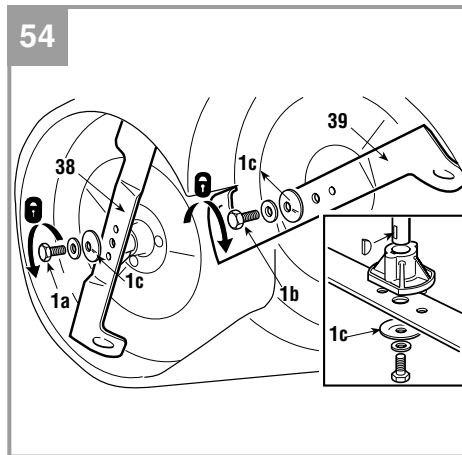
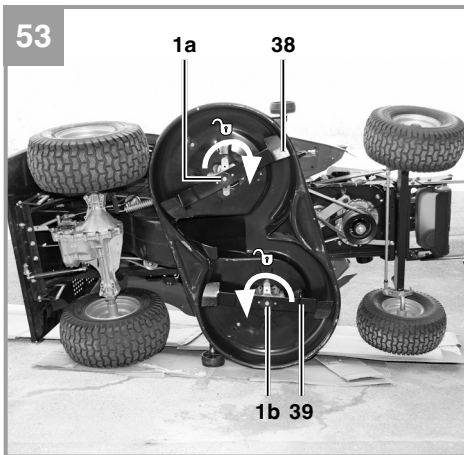
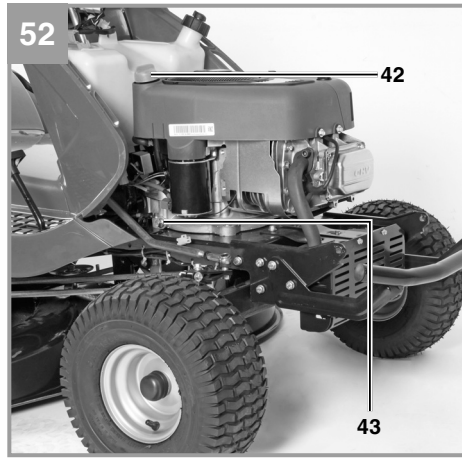


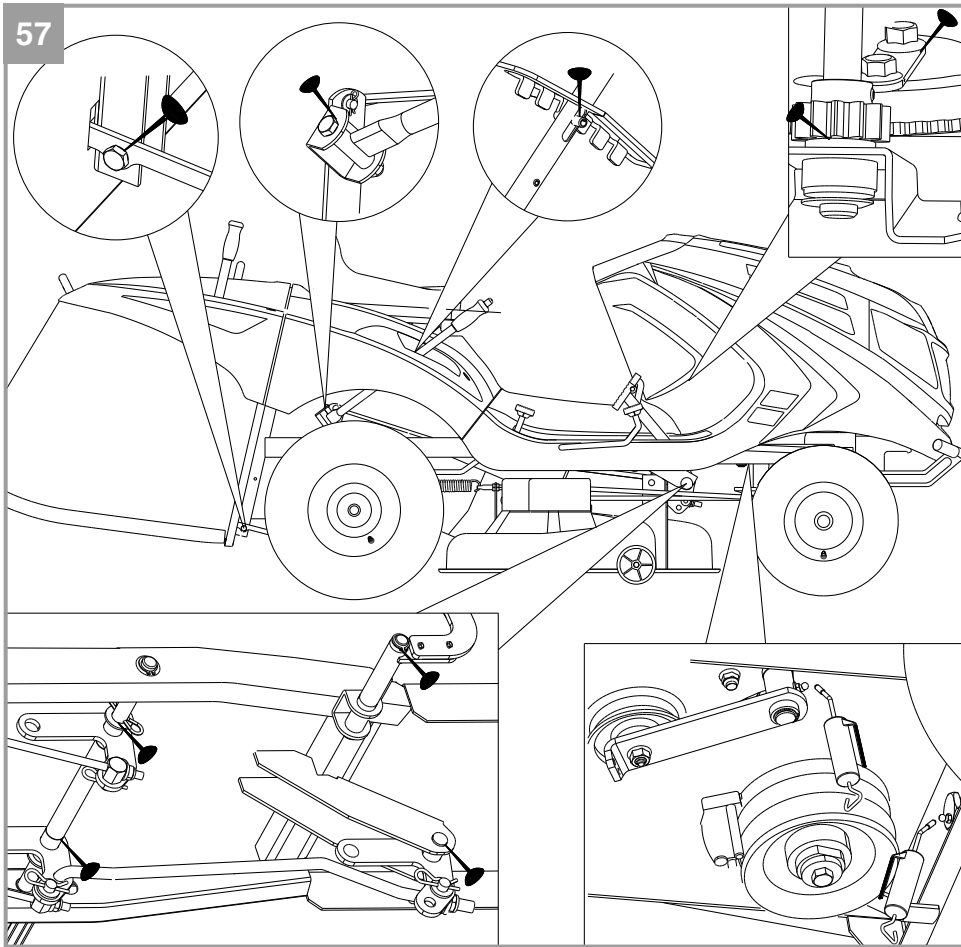














Two horizontal lines are positioned to the right of the pencil illustration. Below these, the page contains 25 additional horizontal lines, providing a total of 27 lines for writing or drawing.



Two horizontal lines are positioned to the right of the pencil illustration. Below these, the page contains 25 additional horizontal lines, providing a total of 27 lines for writing.



Two horizontal lines are positioned to the right of the pencil illustration. Below these, the page contains 25 additional horizontal lines, providing a total of 27 lines for writing or drawing.



EH 07/2012 (01)