

/// PARKSIDE

PBH 1100 A1



GB

SDS-PLUS-HAMMER DRILL

Operation and Safety Notes
Original operating instructions

SI

PNEVMATSKI VRTALNIK IN DLETO

Navodila za upravljanje in varnostna opozorila
Originalna navodila za uporabo

SK

VŔTACIE A SEKACIE KLADIVO

Pokyny pre obsluhu a bezpečnostné pokyny
Originálny návod na obsluhu

DE AT CH

BOHR- UND MEISSELHAMMER

Bedienungs- und Sicherheitshinweise
Originalbetriebsanleitung

HU

FÚRÓ- ÉS VÉSŐKALAPÁCS

Kezelési és biztonsági utalások
Eredeti használati utasítás

CZ

VŔTACÍ A DLÁTOVACÍ KLADIVO

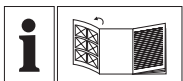
Pokyny pro obsluhu a bezpečnostní pokyny
Originální návod k obsluze

PL

MŁOTOWIERTARKA PNEUMATYCZNA

Wskazówki dotyczące obsługi i bezpieczeństwa
Instrukcją oryginalną

4 



(GB)

Before reading, unfold the page containing the illustrations and familiarise yourself with all functions of the device.

(HU)

Olvasás előtt kattintson az ábrát tartalmazó oldalra és végezetül ismerje meg a készülék mindegyik funkcióját.

(SI)

Pred branjem stran s slikami odprite navzven in se nato seznanite z vsemi funkcijami naprave.

(CZ)

Před čtením si otevřete stranu s obrázky a potom se seznámte se všemi funkcemi přístroje.

(SK)

Pred čítaním si odklopte stranu s obrázkami a potom sa oboznámte so všetkými funkciami prístroja.

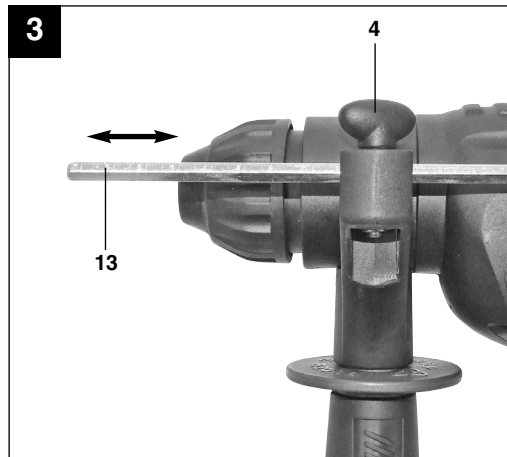
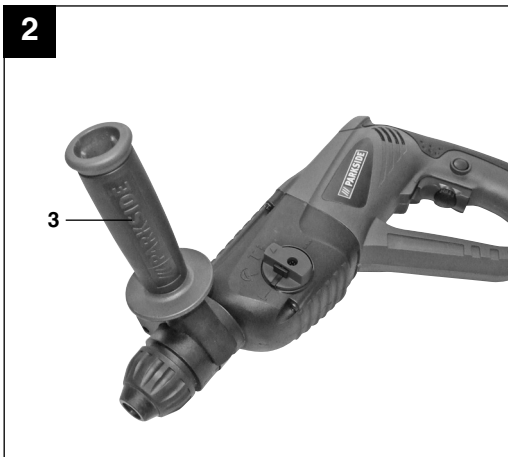
(PL)

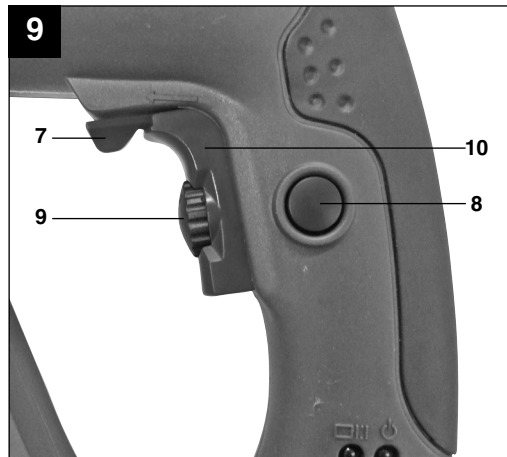
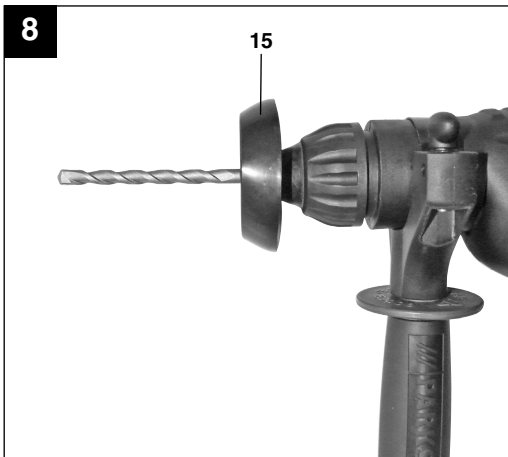
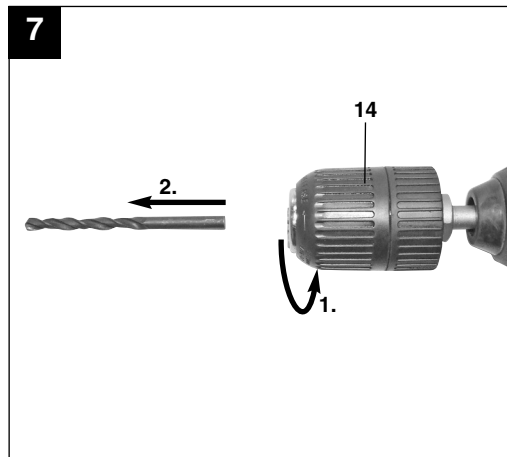
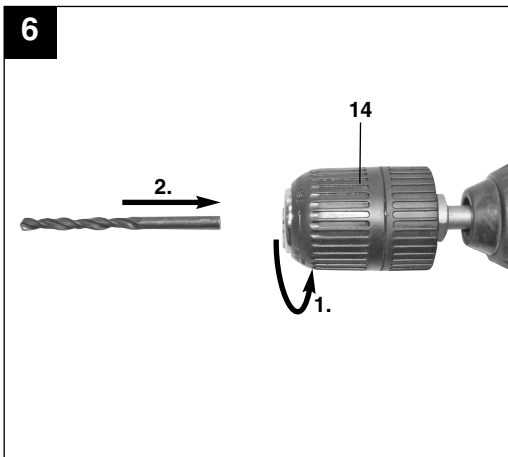
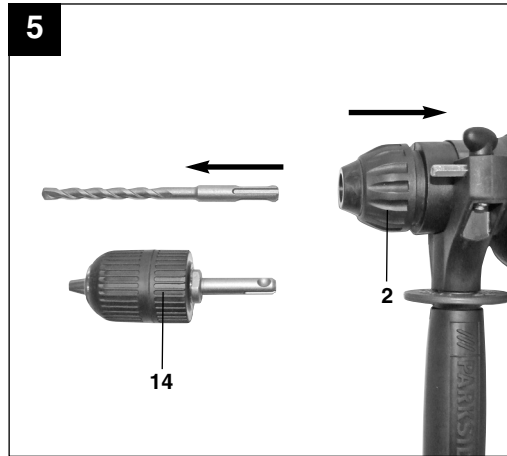
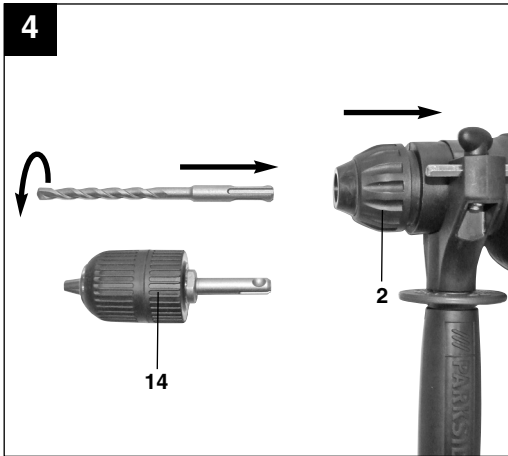
Przed przeczytaniem proszę rozłożyć stronę z ilustracjami, a następnie proszę zapoznać się z wszystkimi funkcjami urządzenia.

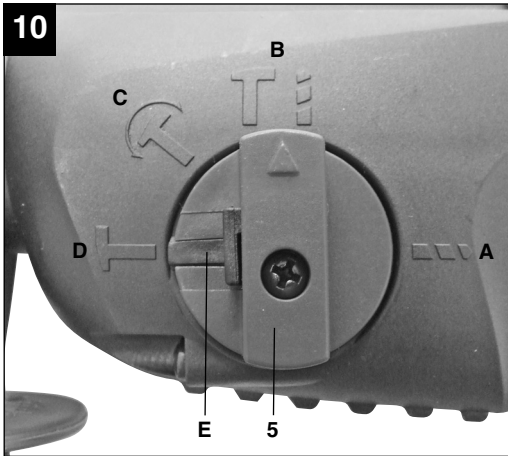
(DE AT CH)

Klappen Sie vor dem Lesen die Seite mit den Abbildungen aus und machen Sie sich anschließend mit allen Funktionen des Gerätes vertraut.

GB	Operation and Safety Notes	Page	6
HU	Kezelési és biztonsági utalások	Oldal	18
SI	Navodila za upravljanje in varnostna opozorila	Stran	31
CZ	Pokyny pro obsluhu a bezpečnostní pokyny	Strana	44
SK	Pokyny pre obsluhu a bezpečnostné pokyny	Strana	56
PL	Wskazówki dotyczące obsługi i bezpieczeństwa	Strona	68
DE/AT/CH	Bedienungs- und Sicherheitshinweise	Seite	81







GB

Table of contents:

Page

1. Introduction	8
2. Safety regulations	8-10
3. Layout	11
4. Items supplied	11
5. Proper use	11
6. Technical data	11-12
7. Before starting the equipment	12-13
8. Starting up	13-14
9. Replacing the power cable	14
10. Cleaning, maintenance and ordering of spare parts	15
11. Disposal and recycling	15
12. Declaration of conformity	16
13. Guarantee Certificate	17

The reprinting or reproduction by any other means, in whole or in part, of documentation and papers accompanying products is permitted only with the express consent of ISC GmbH.

Technical changes subject to change

Additional safety instructions



“Caution - Read the operating instructions to reduce the risk of injury”



Wear ear-muffs.

The impact of noise can cause damage to hearing.



Wear a breathing mask.

Dust which is injurious to health can be generated when working on wood and other materials. Never use the device to work on any materials containing asbestos!



Wear safety goggles.

Sparks generated during working or splinters, chips and dust emitted by the device can cause loss of sight.

1



2



Select between the individual functions only when the equipment is at a standstill. If you fail to observe this point, the equipment may be damaged.

GB

1. Introduction

⚠ Important!

When using equipment, a few safety precautions must be observed to avoid injuries and damage. Please read the complete operating manual with due care. Keep this manual in a safe place, so that the information is available at all times. If you give the equipment to any other person, give them these operating instructions as well.

We accept no liability for damage or accidents which arise due to non-observance of these instructions and the safety information.

2. Safety regulations

⚠ CAUTION!

Read all safety regulations and instructions.

Any errors made in following the safety regulations and instructions may result in an electric shock, fire and/or serious injury.

Keep all safety regulations and instructions in a safe place for future use.

The term "electric tool" used in the safety regulations refers to electric tools operated from the mains power supply (with a power cable) and to battery operated electric tools (without a power cable).

1. Workplace safety

- **Keep your work area clean and well illuminated.** Untidy or unlit work areas can result in accidents.
- **Do not use this tool in a potentially explosive environment containing combustible liquids, gases or dust.** Electric tools generate sparks, which can in turn ignite dust or vapors.
- **Keep children and other persons away from the electric tool while it is being used.** Allowing yourself to get distracted can cause you to lose control of the tool.

2. ELECTRICAL SAFETY

- **The tool's connector plug must be able to fit into the socket outlet. Do not modify the plug in any way! Do not use adapter plugs in conjunction with electrically grounded tools.** Unmodified plugs and matching socket outlets reduce the risk of an electric shock.
- **Avoid touching grounded surfaces, such as those of pipes/tubes, heaters, cookers and refrigerators.** There is an increased risk of getting an electric shock if you are electrically grounded.
- **Keep the tool away from rain and moisture/wet conditions.** Penetration of water into an electric tool increases the risk of an electric shock.
- **Do not use the cable to carry the tool, hang it up or pull the plug out of the socket. Keep the cable away from sources of heat, oil, sharp edges and moving tool parts.** Damaged or tangled cable increases the risk of an electric shock.
- **If you intend to use an electric tool outdoors, ensure that you only use extension cable that is approved for outdoor applications.** Using extension cable that is approved for outdoor applications reduces the risk of an electric shock.
- **If operation of the electric tool in a damp environment can not be avoided, use a earth-leakage circuit-breaker.** The earth-leakage circuit-breaker reduces the risk of an electric shock.

3. PERSONAL SAFETY

- **Be alert, work conscientiously and exercise appropriate caution when using the electric tool. Do not use the tool if you are tired or are under the influence of drugs/medication or alcohol.** One moment of carelessness or lack of attention when using the electric tool can cause serious bodily injury!
- **Always wear personal protective equipment (PPE), including safety goggles.**

Wearing personal protective equipment such as a dust mask, non-slip footwear, protective headgear and ear muffs (depending upon the type of electric tool and the particular application) reduces the risk of sustaining injury.

- **Make sure that the tool cannot start up accidentally. Ensure that the electric tool is switched off before you connect the tool to the power supply and/or insert the battery, or pick up or carry the tool.**

Physically touching the switch with your finger when carrying the tool or connecting the tool to the power supply switched on can lead to accidents.

- **Remove adjusting tools/wrench(es) prior to switching on the power tool.**

A tool or wrench that is positioned inside a rotating power tool part can cause injury.

- **Avoid abnormal working postures. Make sure you stand squarely and keep your balance at all times.**

This way, you will be able to have better control over the tool in unexpected situations.

- **Wear suitable clothes. Never wear loose fitting clothes or jewelry. Keep hair, clothes and gloves away from moving parts.**

Loose clothing, dangling jewelry and long hair can be caught by moving parts.

- **If dust extraction and dust collection devices can be mounted, ensure that these are connected and are properly used.**

The use of a dust extraction system can reduce the danger posed by dust.

4. Using the treatment of electric tools

- **Do not overload your tool. Only use suitable electric tools to perform your work.**

Using the right electric tool allows you to work better and safer within the tool's quoted capacity range.

- **Do not use an electric tool whose switch is defective.**

An electric tool that no longer can be switched on or off is dangerous and must

be repaired.

- **Pull the plug out of the socket and/or remove the battery before making any adjustments to the tool, changing accessories or put the tool down.**

This precaution eliminates the possibility of inadvertently starting the tool.

- **When not in use, store electric tools out of the reach of children. Do not allow those persons to use this tool who are unfamiliar with it or who have not read these instructions.**

Electric tools are dangerous when they are used by inexperienced persons.

- **Take good care of your tool. Check that moving parts properly function and do not jam, that parts are not broken off or damaged in any way and that the tool can be used to its full capacity. Have damaged parts repaired prior to using the tool.**

The cause of many accidents can be traced back to poorly maintained electric tools.

- **Keep your blades sharp and clean.** Properly maintained blades with sharp edges jam less frequently and are easier to use.

- **Make sure to use electric tools, accessories, attachments, etc. in accordance with these instructions. Take the conditions in your work area and the job in hand into account.**

Using electric tools for applications other than those intended can lead to dangerous situations.

5. SERVICE

- **Have your tool repaired only by authorized specialists using original replacement parts.**

This will ensure that your tool remains safe to use.

GB**Safety information for hammers**

- **Wear ear protection.** The impact of noise can cause damage to hearing.
- **Use the additional handles supplied with the tool.** Losing control of the tool can cause injuries.
- **Hold the equipment by the insulated handles when carrying out work during which the plug-in tool could strike concealed power cables or its own mains lead.** Contact with a live cable can also make the metal parts of the equipment live and will cause an electric shock.

Additional Safety rules for SDS-Plus-Hammer Drill

- Check that your mains voltage is the same as that marked on the rating plate.
- If you use a cable reel, run all the cable off the reel. The minimum conductor cross section used should be 1.5 mm².
- Make sure of your footing, particularly when working free-handed on ladders or scaffolding.
- Use a detector to localize pipes and/or cables in walls with concealed electric, water or gas lines. Avoid any contact with conducting electrical parts or lines.
- Wear ear-muffs to protect your hearing: Risk of progressive loss of hearing!
- Wear goggles and use a breathing mask on dusty jobs.
- Never use the machine near vapors or combustible liquids.
- Always unplug the machine before cleaning it or changing drill bits etc.
- Keep the power cable safe from damage. Oil and acids can damage cables.
- Never overload the machine.
- Important!
Follow all safety regulations in your country applicable to the installation, use and maintenance of the machine.
- Chisel bits and drill bits can be inadvertently thrown out from the machine and cause serious injury:
 - Always check that the chisel bit or drill bit is firmly locked in the chuck before you start work.

- Check the chuck for wear or damage at regular intervals.

- Do not start a hammering tool until it is pressed against a workpiece (wall, ceiling, etc.).
- Always unplug the hammer drill when you have finished working and remove the chisel bit or drill bit from the tool.
- Always unplug the machine before changing chisel bits or drill bits etc.
- Protect eyes and assistants from small flying parts and splinters. Wear a helmet! Erect a screen wall!
- Work gloves protect you against skin abrasions.
- Vibrations can be harmful to the hand-arm system: Keep the impact time of vibrations to a minimum.
- Always keep the power cable away from where you want to drill.
- Keep the machine out of children's reach.
- Always hold the machine with two hands when it is running and make sure of your footing.
- Make sure that the switch on the machine is set to the correct position for the work you want to perform before you put the machine into operation. If the switch is not in the correct position you risk suffering bodily injury when the machine starts to run.

Save this instructions.

3. Layout (Fig. 1)

1. Dust guard
2. Locking sleeve
3. Additional handle
4. Locking screw for depth stop
5. Selector switch for drill/hammer drill/chisel
6. Handle
7. Clockwise/counter-clockwise switch
8. Locking button
9. Speed controller
10. ON/OFF switch
11. Operating status indicator
12. Indicator for carbon brush wear
13. Depth stop
14. Additional quick-change drill chuck
15. Dust absorption device

4. Items supplied

Take all the parts out of the packaging.
Check that nothing is missing.

- PBH 1100 A1 SDS-Plus-Hammer Drill
- Additional handle
- Depth stop
- Drill bits for stone (6, 8, 10 mm)
- Pointed chisel / flat chisel
- Additional quick-change drill chuck
- Dust absorption device
- Operating instructions


5. Proper use

The tool is designed for drilling with hammer action in concrete, rock and brick, as well as for chiseling work, always using the respective correct drill or chisel bit.

The equipment is to be used only for its prescribed purpose. Any other use is deemed to be a case of misuse. The user / operator and not the manufacturer will be liable for any damage or injuries of any kind caused as a result of this.

Please note that our equipment has not been designed for use in commercial, trade or industrial applications. Our warranty will be voided if the machine is used in commercial, trade or industrial businesses or for equivalent purposes.

6. Technical data

Mains voltage:	230-240 V ~ 50 Hz
Power input:	1050 W
Idling speed:	0-1100 rpm
Blow rate:	0-5100 rpm
Drilling capacity in concrete/stone (max.):	Ø 26 mm
Protection class:	II / 
Weight:	3.6 kg

Sound and vibration

Sound and vibration values were measured in accordance with EN 60745.

L_{pA} sound pressure level	91.8 dB(A)
K_{pA} uncertainty	3 dB
L_{WA} sound power level	102.8 dB(A)
K_{WA} uncertainty	3 dB

GB

The hammer drill is not designed for outdoors use as specified in Article 3 of Directive 2000/14/EC_2005/88/EC.

Wear ear-muffs.

The impact of noise can cause damage to hearing.

Total vibration values (vector sum of three directions) determined in accordance with EN 60745.

Hammer drilling in concrete

Vibration emission value $a_h = 15.81 \text{ m/s}^2$

K uncertainty = 1.5 m/s^2

Chiseling

Vibration emission value $a_h = 15.668 \text{ m/s}^2$

K uncertainty = 1.5 m/s^2

Warning!

The specified vibration value was established in accordance with a standardized testing method. It may change according to how the electric equipment is used and may exceed the specified value in exceptional circumstances.

The specified vibration value can be used to compare the equipment with other electric power tools.

The specified vibration value can be used for initial assessment of a harmful effect.

Keep the noise emissions and vibrations to a minimum.

- Only use appliances which are in perfect working order.
- Service and clean the appliance regularly.
- Adapt your working style to suit the appliance.
- Do not overload the appliance.
- Have the appliance serviced whenever necessary.
- Switch the appliance off when it is not in use.
- Wear protective gloves.

7. Before starting the equipment**⚠ Important!**

Before you connect the equipment to the mains supply make sure that the data on the rating plate are identical to the mains data.

Always pull the power plug before making adjustments to the equipment.

Check the drilling point for concealed electrical cables, gas and water pipes using a cable/pipe detector.

7.1 Additional handle (Fig. 2 – Item 3)**For safety reasons you must only use the hammer drill with the additional handle.**

The additional handle (3) enables you to achieve better stability whilst using the equipment. Do not use the equipment without the additional handle (3). The additional handle (3) is secured to the equipment by a clamp. Turning the additional handle (3) clockwise tightens this clamp. Turning it anti-clockwise will release the clamp.

- The supplied additional handle (3) must first be fitted. To do this, turn the additional handle (3) until the clamp is opened wide enough for you to slide the additional handle (3) onto the equipment.
- After you have mounted the additional handle (3), swivel it to the most comfortable working position for yourself.
- Now turn the additional handle (3) in the opposite direction again until the additional handle (3) is secure.
- The additional handle (3) is suitable for both left-handed and right-handed users.

7.2 Depth stop (Fig. 3 – Item 13)

The depth stop (13) is held in place by clamping with the locking screw (4) on the additional handle (3).

- Release the locking screw (4) and insert the depth stop (13).
- Set the depth stop (13) to the same level as the drill bit.
- Pull the depth stop (13) back by the required drilling depth.

- Tighten the locking screw (4) again.
- Now drill the hole until the depth stop (13) touches the workpiece.
- The depth stop (13) is notched to prevent it from shifting when in use.

7.3. Tool insertion (Fig. 4)

- Clean the tool before insertion and apply a thin coating of drill bit grease to the shaft of the tool.
- Pull back and hold the locking sleeve (2).
- Turn and push the dust-free tool into the tool mounting as far as it will go. The tool will lock automatically, after the locking sleeve is released.
- Check that it is properly secure by pulling the tool.

7.4. Tool removal (Fig. 5)

Pull back and hold the locking sleeve (2) and remove the tool.

7.5 Dust collection device (Fig. 8)

Slide the dust collection device (15) over the drill bit before carrying out any hammer drilling vertically above your head.

7.6 Fitting the quick-change drill chuck (Fig. 4)

- Clean the quick-change drill chuck (14) before fitting it and apply a thin coating of drill bit grease to the quick-change drill chuck shaft.
- Pull back and hold the locking sleeve (2).
- Turn and push the dust-free quick-change drill chuck (14) into the tool mounting as far as it will go. The quick-change drill chuck (14) will lock automatically after the locking sleeve is released.
- Check that it is secure by pulling the quick-change drill chuck (14).

7.7 Removing the additional quick-change drill chuck (Fig. 5)

Pull back and hold the locking sleeve (2) and remove the quick-change drill chuck.

7.8 Inserting the bit into the quick-change drill chuck (Figure 6-7)

⚠ Important.

- Always pull the power plug before making adjustments to the equipment.
- Release the depth stop (13) as described in 7.2 and push it towards the drill handle. This provides free access to the chuck (14).
- Open the chuck (14). The drill bit opening must be large enough to hold the drill bit.
- Select a suitable drill bit. Push the tool as far as possible into the chuck opening.
- Close the chuck (14). Check that the drill bit is secure in the chuck (14).
- Check at regular intervals that the drill bit or tool is secure (pull the mains plug).

8. Starting up

⚠ Important!

To prevent all danger, the machine must only be held using the two handles (3/6). Otherwise there may be a risk of suffering an electric shock if you drill into cables.

8.1 Status indicator (Fig. 1/Item 11)

The status indicator (11) lights up when the power plug is connected.

8.2 ON/OFF switch (Fig. 9/Item 10)

- First fit a suitable drill bit into the tool (see 7.3).
- Connect the mains plug to a suitable socket.
- Position the drill in the position you wish to drill.

To switch on:

Press the ON/OFF switch (10)

To switch off:

Release the ON/OFF switch (10)

Switching on continuous operation:

Secure the ON/OFF switch (10) with the locking button (8). Important. It may only be locked if the drill is set to rotate clockwise.

GB**Switching off continuous operation:**

Press the ON/OFF switch (10) briefly.

8.3 Adjusting the speed (Fig. 9/Item 10)

- You can infinitely vary the speed whilst using the tool.
- Select the speed by applying a greater or lesser pressure to the ON/OFF switch (10).
- Select the correct speed: The most suitable speed depends on the workpiece, the type of use and the drill bit used.
- Low pressure on the ON/OFF switch (10): Lower speed
- Greater pressure on the ON/OFF switch (10): Higher speed

Tip: Start drilling holes at low speed. Then increase the speed in stages.

Benefits:

- The drill bit is easier to control when starting the hole and will not slide away.
- You avoid drilling messy holes (for example in tiles).

8.4 Preselecting the speed (Fig. 9/Item 9)

- Do not attempt to make this setting whilst the drill is in use.
- The speed setting ring (9) enables you to define the maximum speed. The ON/OFF switch (10) can only be pressed to the defined maximum speed setting.
- Set the speed using the setting ring (9) on the ON/OFF switch (10).

8.5 Clockwise/Counter-clockwise switch (Fig. 9/Item 7)

- **Change switch position only when the drill is at a standstill!**
- Switch the direction of the hammer drill using the clockwise/counter-clockwise switch (7):

Direction	Switch position
Clockwise (forwards and drill)	Push in to the left
Counter-clockwise (reverse)	Push in to the right

8.6 Drill / Hammer drill / Chisel selector switch (Fig. 10)

Important. If the additional quick-change drill chuck (14) is mounted, the hammer drill and chisel functions will not be available.

- For drilling, press the button (E) on the selector switch (5) and simultaneously turn the selector switch (5) to position A.
- For hammer drilling, press the button (E) on the selector switch (5) and simultaneously turn the selector switch (5) to position B.
- For chiseling, press the button (E) on the selector switch (5) and simultaneously turn the selector switch (5) to position C. In switch position C the chisel is not locked.
- For chiseling, press the button (E) on the selector switch (5) and simultaneously turn the selector switch (5) to position D. The chisel is locked in position D.

Important.

You only require slight contact pressure for hammer drilling. Excessive contact pressure will place an unnecessary strain on the motor. Check bits! at regular intervals. Sharpen or replace blunt bits.

9. Replacing the power cable

If the power cable for this equipment is damaged, it must be replaced by the manufacturer or its after-sales service or similarly trained personnel to avoid danger.

10. Cleaning, maintenance and ordering of spare parts

⚠ Important.

Always pull out the mains power plug before starting any cleaning work.

10.1 Cleaning

- Keep all safety devices, air vents and the motor housing free of dirt and dust as far as possible. Wipe the equipment with a clean cloth or blow it with compressed air at low pressure.
- We recommend that you clean the device immediately each time you have finished using it.
- Clean the equipment regularly with a moist cloth and some soft soap. Do not use cleaning agents or solvents; these could attack the plastic parts of the equipment. Ensure that no water can seep into the device.

10.2 Carbon brushes

In case of excessive sparking or if the status indicator for carbon brush wear (12) lights up, have the carbon brushes checked by a qualified electrician.

10.3 Maintenance

There are no parts inside the equipment which require additional maintenance.

10.4 Ordering replacement parts:

Please quote the following data when ordering replacement parts:

- Type of machine
- Article number of the machine
- Identification number of the machine

For our latest prices and information please go to www.isc-gmbh.info

11. Disposal and recycling

The unit is supplied in packaging to prevent its being damaged in transit. This packaging is raw material and can therefore be reused or can be returned to the raw material system. The unit and its accessories are made of various types of material, such as metal and plastic. Defective components must be disposed of as special waste. Ask your dealer or your local council.



For EU countries only

Never place any electric tools in your household refuse.

To comply with European Directive 2002/96/EC concerning old electric and electronic equipment and its implementation in national laws, old electric tools have to be separated from other waste and disposed of in an environment-friendly fashion, e.g. by taking to a recycling depot.

Recycling alternative to the demand to return electrical devices:

As an alternative to returning the electrical device, the owner is obliged to cooperate in ensuring that the device is properly recycled if ownership is relinquished. This can also be done by handing over the used device to a returns center, which will dispose of it in accordance with national commercial and industrial waste management legislation. This does not apply to the accessories and auxiliary equipment without any electrical components which are included with the used device.

GB

12. Declaration of conformity

Einhell Germany AG · Wiesenweg 22 · D-94405 Landau/Isar



Konformitätserklärung

- erklärt folgende Konformität gemäß EU-Richtlinie und Normen für Artikel
 explains the following conformity according to EU directives and norms for the following product
 déclare la conformité suivante selon la directive CE et les normes concernant l'article
 dichiara la seguente conformità secondo la direttiva UE e le norme per l'articolo
 verklaart de volgende overeenstemming conform EU richtlijn en normen voor het product
 declara la siguiente conformidad a tenor de la directiva y normas de la UE para el artículo
 declara a seguinte conformidade, de acordo com a directiva CE e normas para o artigo
 atterer følgende overensstemmelse i medfør af EU-direktiv samt standarder for artikel
 förklarar följande överensstämmelse enl. EU-direktiv och standarder för artikeln
 vakuuttaa, että tuote täyttää EU-direktiivin ja standardien vaatimukset
 töendab toote vastavust EL direktiivile ja standarditele
 vydává následující prohlášení o shodě podle směrnice EU a norem pro výrobek
 potrjuje sledeću skladnost s smernico EU in standardi za izdelek
 vydáva nasledujúce prehlásenie o zhode podľa smernice EÚ a noriem pre výrobok
 a cikkekhez az EU-irányvonal és Normák szerint a következő konformitást jelenti ki
 deklaruje zgodność wymienionego poniżej artykułu z następującymi normami na podstawie dyrektywy WE.
 декларира съответното съответствие съгласно Директива на ЕС и норми за артикул
 paskaidro šādu atbilstību ES direktīvai un standartiem
 arībūdina šj atitikimā EU reikalavimams ir prekės normoms
 declară următoarea conformitate conform directivei UE și normelor pentru articolul
 δηλώνει την ακόλουθη συμμόρφωση σύμφωνα με την Οδηγία ΕΚ και τα πρότυπα για το προϊόν
 potvrđuje sljedeću usklađenost prema smjernicama EU i normama za artikl
 Izjava o sukladnosti za ovaj proizvod dostupna je na internet stranici www.lidl.hr.
 potvrđuje sljedeću usklađenost prema smjernicama EU i normama za artikl
 potvrđuje sledeću usklađenost prema smernicama EZ i normama za artikal
 следующим удостоверяется, что следующие продукты соответствуют директивам и нормам ЕС
 проголошує про зазначену нижче відповідність виробу директивам та стандартам ЄС на виріб
 Ürünü ile ilgili AB direktifleri ve normları gereğince aşağıda açıklanan uygunluğu belirtir
 erklærer følgende samsvar i henhold til EU-direktivet og standarder for artikkel
 Lýsir uppfyllingu EU-reglna og annarra staða vöru

Bohrhammer PBH 1100 A1 (Parkside)

- | | |
|---|--|
| <input type="checkbox"/> 87/404/EC_2009/105/EC | <input checked="" type="checkbox"/> 2006/42/EC |
| <input type="checkbox"/> 2005/32/EC_2009/125/EC | <input type="checkbox"/> Annex IV
Notified Body:
Notified Body No.:
Reg. No.: |
| <input type="checkbox"/> 2006/95/EC | |
| <input type="checkbox"/> 2006/28/EC | |
| <input checked="" type="checkbox"/> 2004/108/EC | <input type="checkbox"/> 2000/14/EC_2005/88/EC |
| <input type="checkbox"/> 2004/22/EC | <input type="checkbox"/> Annex V |
| <input type="checkbox"/> 1999/5/EC | <input type="checkbox"/> Annex VI
Noise: measured L_{WA} = dB (A); guaranteed L_{WA} = dB (A)
P = KW; L/Ø = cm
Notified Body: |
| <input type="checkbox"/> 97/23/EC | |
| <input type="checkbox"/> 90/396/EC_2009/142/EC | |
| <input type="checkbox"/> 89/686/EC_96/58/EC | <input type="checkbox"/> 2004/26/EC
Emission No.: |
| <input checked="" type="checkbox"/> 2011/65/EC | |

Standard references: EN 60745-1; EN 60745-2-6; EN 55014-1;
EN 55014-2; EN 61000-3-2; EN 61000-3-3

Landau/Isar, den 21.09.2011

Weichselgartner/General Manager

Unger/Product-Management

First CE: 08
Art.-No.: 42.583.76 I.-No.: 11031
Subject to change without notice

Archive-File/Record: NAPR004729
Documents registrar: Georg Riedel
Wiesenweg 22, D-94405 Landau/Isar

13. GUARANTEE CERTIFICATE

Dear Customer,

All of our products undergo strict quality checks to ensure that they reach you in perfect condition. In the unlikely event that your device develops a fault, please contact our service department at the address shown on this guarantee card. Of course, if you would prefer to call us then we are also happy to offer our assistance under the service number printed below. Please note the following terms under which guarantee claims can be made:

1. These guarantee terms cover additional guarantee rights and do not affect your statutory warranty rights. We do not charge you for this guarantee.
2. Our guarantee only covers problems caused by material or manufacturing defects, and it is restricted to the rectification of these defects or replacement of the device. Please note that our devices have not been designed for use in commercial, trade or industrial applications. Consequently, the guarantee is invalidated if the equipment is used in commercial, trade or industrial applications or for other equivalent activities. The following are also excluded from our guarantee: compensation for transport damage, damage caused by failure to comply with the installation/assembly instructions or damage caused by unprofessional installation, failure to comply with the operating instructions (e.g. connection to the wrong mains voltage or current type), misuse or inappropriate use (such as overloading of the device or use of non-approved tools or accessories), failure to comply with the maintenance and safety regulations, ingress of foreign bodies into the device (e.g. sand, stones or dust), effects of force or external influences (e.g. damage caused by the device being dropped) and normal wear resulting from proper operation of the device. This applies in particular to rechargeable batteries for which we nevertheless issue a guarantee period of 12 months.

The guarantee is rendered null and void if any attempt is made to tamper with the device.
3. The guarantee is valid for a period of 3 years starting from the purchase date of the device. Guarantee claims should be submitted before the end of the guarantee period within two weeks of the defect being noticed. No guarantee claims will be accepted after the end of the guarantee period. The original guarantee period remains applicable to the device even if repairs are carried out or parts are replaced. In such cases, the work performed or parts fitted will not result in an extension of the guarantee period, and no new guarantee will become active for the work performed or parts fitted. This also applies when an on-site service is used.
4. In order to assert your guarantee claim, please send your defective device postage-free to the address shown below. Please enclose either the original or a copy of your sales receipt or another dated proof of purchase. Please keep your sales receipt in a safe place, as it is your proof of purchase. It would help us if you could describe the nature of the problem in as much detail as possible. If the defect is covered by our guarantee then your device will either be repaired immediately and returned to you, or we will send you a new device.

Of course, we are also happy offer a chargeable repair service for any defects which are not covered by the scope of this guarantee or for units which are no longer covered. To take advantage of this service, please send the device to our service address.

HU

Tartalomjegyzék

Oldal

1. Bevezetés	20
2. Biztonsági utasítások	20-23
3. A készülék leírása	23
4. A szállítás terjedelme	23
5. Rendeltetésszerűi használat	23
6. Technikai adatok	23-24
7. Beüzemeltetés előtt	24-25
8. Beüzemeltetés	26-27
9. A hálózati csatlakozóvezeték kicserélése	27
10. Tisztítás, karbantartás és pótalkatrészmegrendelés	27
11. Megsemmisítés és újrahasznosítás	27-28
12. Konformkijelentés	29
13. Garanciaokmány	30

A termékek dokumentációjának és a
kisézőpapírjainak az utánnyomtatása vagy
egyébb sokszorosítása, kivonatossan is csak az
ISC GmbH kihangsúlyozott beleegyezésével
engedélyezett.

Technikai változtatások jogát fenntartva

Kiegészítő biztonsági utasítások



„FIGYELMEZTETÉS – Sérülés veszélyének a lecsökkentéséhez olvassa el a használati utasítást”



Hordjon egy zajcsökkentő fülvédőt.
A zaj behatása hallásvesztéshez vezethet.



Viseljen egy porvédőálarcot.
Fa és más anyagok megdolgozásánál az egészségre káros por keletkezhet. Azbeszt tartalmú anyagokat nem szabad megmunkálni!



Hordjon egy védőszemüveget.
Munka közben keletkező szikrák vagy a készülékből kipattanó szillánk, forgács vagy a keletkező por vakulást okozhat.

1



2



A készülék megsérülésének az elkerülése érdekében az egyes funkciók közötti átkapcsolást csak nyugalmi állapotban kellene elvégezni.

HU

1. Bevezetés

⚠ Figyelem!

A készülékek használatánál, a sérülések és a károk megakadályozásának az érdekében be kell tartani egy pár biztonsági intézkedést. Ezért ezt a használati utasítást/biztonsági utasításokat gondosan átolvasni. Őrizze ezeket jól meg, azért hogy mindenkor rendelkezésére álljanak az információk. Ha más személyeknek adná át a készüléket, akkor kérjük kézbesítse ki vele együtt ezt a használati utasítást/biztonsági utasításokat is. Nem vállalunk felelőséget olyan balesetekért vagy károkért, amelyek ennek az utasításnak és a biztonsági utasításoknak a figyelmen kívül hagyásából keletkeznek.

2. Biztonsági utasítások

⚠ FIGYELMEZTETÉS

Olvasson minden biztonsági utalást és utasítást el. A biztonsági utalások és utasítások betartásán belüli mulasztás áramcsapást, tüzet és/vagy nehéz sérüléseket okozhat. **Őrizze meg a biztonsági utalásokat és utasításokat a jövőre nézve.**

A biztonsági utasításban használt kifejezés „elektromos szerszám” a hálózaton keresztül üzemeltetett elektromos szerszámokra (hálózati kábellel) és az akkuk által üzemeltetett elektromos szerszámokra (hálózati kábel nélkül) vonatkozik.

1. Munkahelybiztonság

- **Tartsa a munkakörét tisztán és jól megvilágítottan.** Rendetlenség vagy nem megvilágított munkakörök baleseteket idézhetnek elő.
- **Ne dolgozon ezzel a készülékkel robbanásveszélyeztetett környezetben, amelyben gyullékony folyadékok, gázok vagy porok találhatóak.** Elektromos szerszámok szikrákat idéznek elő, amelyek meg tudják gyújtani a port vagy a párákat.
- **Tartson az elektromos szerszám**

használatának az ideje alatt gyerekeket valamint más személyeket távol.

A figyelme elterelésénél elveszítheti a készülék feletti uralmat.

2. Elektromos biztonság

- **Az elektromos szerszám csatlakozási dugójának bele kell passzolnia a dugaszoló aljzatba. A dugót nem szabad semmilyen féle módon megváltoztatni. Ne használjon adapterdugókat a védőföldelt elektromos szerszámokkal együtt.** A nem megváltoztatott dugók és a megfelelő dugaszoló aljzatok lecsökkentik az áramcsapás rizikóját.
- **Kerülje el a földelt felületekkel való testi érintkezést, mint például csövekkel, fűtőtestekkel, tűzhelyekkel, hűtőszekrényekkel.** Magasabb az áramcsapás veszélye, ha földelt az Ön teste.
- **Tartsa az elektromos szerszámokat esőtől és nedveségtől távol.** A víz elektromos készülékbe való behatolása megnöveli az áramcsapás veszélyét.
- **Ne használja fel más célokra a kábelt, mint például az elektromos készülék hordására, felakasztására vagy a dugó kihúzására a dugaszoló aljzatból. Tartsa a kábelt hőségától, olajtól és éles szélektől vagy a mozgó készülékrészektől távol.** A megsérült vagy összezsavarodott kábel megnöveli egy áramcsapás veszélyét.
- **Ha az elektromos szerszámmal a szabadban dolgozna, akkor csak olyan hosszabbító kábelt használjon, amely kinti területre megfelelő.** A kinti területre megfelelő hosszabbítókábelnek a használata lecsökkenti az áramcsapás rizikóját.
- **Ha nem lehet elkerülni az elektromos szerszámnak a nedves környezetben levő használatát, akkor használjon egy hibaáramvédőkapcsolót.** A hibaáramvédőkapcsoló használata lecsökkenti az áramcsapás rizikóját.

3. Személyek biztonsága

- **Legyen figyelmes, ügyeljen arra amit csinál és fogjon az elektromos szerszámmal mindig okosan a munkához. Ne használja az elektromos készüléket ha fáradt vagy pedig ha kábítószerek, alkohol vagy orvosságok befolyása alatt áll.**

Az elektromos szerszám használatánál egy pillanat figyelmetlenség komoly sérülésekhez vezethet.

- **Viseljen egy személyi védőfelszerelést és mindig egy védőszemüveget.**
A személyi védőfelszerelés hordása, mint például porvédő álarc, tapadós biztonsági lábbeli, védősisak vagy zajcsökkentő fülvédő, az elektromos szerszám fajtájától és felhasználásától függően, lecsökkenti a sérülések rizikóját.
- **Kerülje el az akaratlan üzembehelyezést. Győződjön meg arról, hogy ki van kapcsolva az elektromos szerszám, mielőtt rákapcsolná az áramellátásra és/vagy az akkura, mielőtt felvenné vagy hordaná.**
Ha az elektromos szerszám hordásánál az ujjja a kapcsolón van vagy ha a készüléket bekapcsolt állapotban rákapcsolná az áramellátásra, akkor ez balesetekhez vezethet.
- **Távolítsa minden beállítószerszámot vagy csavarkulcsot el, mielőtt bekapcsolná az elektromos szerszámot.**
A forgó készülékrészben levő szerszám vagy kulcs, sérülésekhez vezethet.
- **Kerüljön el egy abnormális testtartást. Gondoskodjon biztos állásról és tartsa mindenkor az egyensúlyt.**
Ezáltal váratlan szituációkban jobban tudja kontrollálni az elektromos szerszámot.
- **Viseljen megfelelő ruhát. Ne viseljen bő ruhát vagy ékszert. Tarsa a haját, ruháját és a kesztyűket távol a mozgó részekről.**
A laza ruházatot, ékszert vagy a hosszú haját elkaphatják a mozgó részek.
- **Ha fel lehet szerelni porszívó berendezéseket valamint porfelfogó berendezéseket, akkor bizonyosodjon meg arról, hogy ezek rá vannak**

kapcsolva és helyesen használva vannak.

Egy porszívó használata lecsökkentheti a por általi veszélyeztetéseket.

- 4. Az elektromos szerszám használata és kezelése**
 - **Ne terhelje túl a készüléket. Használja a munkájához az arra meghatározott elektromos szerszámot.**
A megfelelő elektromos szerszámmal jobban és biztonságosabban dolgozik a megadott teljesítményi körben.
 - **Ne használjon olyan elektromos szerszámot, ahol defektes a kapcsoló.**
Egy olyan elektromos szerszám, amelyet nem lehet többé be- vagy kikapcsolni, az veszélyes és meg kell javítani.
 - **Mielőtt a készüléken beállításokat végezne el, tartozékokat cserélne ki vagy félretenné a készüléket, húzza ki a dugót a dugaszoló aljzatból és/vagy távolítsa el az akkut.**
Ezek az óvintézkedések megakadályozzák az elektromos szerszám akaratlan indítását.
 - **A nem használt elektromos szerszámokat a gyerekek részére nem elérhető helyen tárolni. Ne engedje olyan személyeknek a készüléket használni, akik nem jártassak ezzel a készülékkel, vagy akik nem olvasták el ezeket az utasításokat.**
Elektromos szerszámok veszélyesek, ha tapasztalatlan személyek használják őket.
 - **Az elektromos szerszámait gondosan ápolni. Kontrollálja le, hogy a mozgatható részek kifogástalanul működnek-e és nem szorulnak-e, hogy töröttek-e vagy annyira sérültek-e a részei, hogy csökkentenék az elektromos szerszám működését. Mielőtt használná a készüléket hagyja megjavíttatni a károsult részeket.**
Sok balesetnek oka a rosszul karbantartott elektromos szerszám.
 - **Tartsa a vágószerszámait élesen és tisztán.**
A gondosan ápolat vágószerszámok éles vágóélekkel kevésbé szorulnak be és könnyebben lehet őket vezetni.

HU

- **Az elektromos szerszámot, tartozékokat, betéti szerszámokat stb., ezeknek az utasításoknak megfelelően használni. Vegye enné a munkafeltételeket és az elvégzendő tevékenységet figyelembe.**

Az elektromos szerszámoknak az előrelátott használatuktól eltérően való felhasználata, veszélyes helyzetekhez vezethetnek.

5. Szervíz

- **Hagyja az elektromos szerszámát csakis kvalifikált szakszemélyzet által és csak originális-pótalkatrészekkel megjavíttatni.**

Azáltal biztosítva lesz, hogy továbbra is fennáll az elektromos szerszám biztonsága.

Biztonsági utasítások a kalapácsolóhoz

- **Hordjon zajcsökkentő fülvédőt.** A zaj behatása hallásvesztéshez vezethet.
- **Használja a készülékkel szállított pótfogantyúkat.** A kontrol vesztése sérülésekhez vezethet.
- **Ha olyan munkákat végez el, amelyeknél a betéti szerszám rejtett áramvezetékeket vagy a saját hálózati kábeljét találhatná el, akkor a készüléket az izolált fogantyúfelületeknél fogva tartani.** A feszültségeket vezető vezetékekkel való kontaktus a fémtartalmú készülékrészeket is feszültség alá teheti és áramütéshez vezethet.

Speciális biztonsági utasítások a fúró- és vésőkalapácsolóhoz

- Ellenőrizze le a típus táblán megadott feszültséget (Volt).
- Vezetéktekercecsek használatánál mindig teljesen letekerni a vezetékét. Drótátmérő legalább 1,5 mm².
- Létrákon és állványokon történő szabadkezü fúrásnál ügyelni egy biztos állásra.
- Falakban, ahol rejtetten fekvő áram-, víz- vagy gázvezetékek vannak, ott először egy vezetékkereső készülékkel lokalizálni a vezetékeket. Kerülje el az áramot vezető részeknek vagy vezetékeknek a

megérintését.

- Hordjon a fülei védelméhez egy zajcsökkentő fülvédőt. Lappangó hallásvesztés!
- Hordjon védőszemüveget és porképző munkálatoknál használjon pormaszkot.
- Ne használja párák és gyullékony folyadékok közelében.
- Húzza ki minden átszerelési és tisztítási munkálatnál a csatlakozót a dugaszoló aljzataból.
- Óvja a hálózati vezetékét sérülések elől. Olaj és sav megsértheti a vezetékét.
- Ne terhelje túl a gépet!
- Fontos!
Az installációval, üzemmel és karbantartással kapcsolatban meg kell tartani minden nemzeti biztonsági előírást.
- A véső és a fúró véletlenül ki lehet dobva a szerszámából és nehéz sérüléseket idézhetnek elő.
- A munkabevetés előtt mindig leellenőrizni, hogy a véső vagy a fúró be van e arretálva a szerszám tartóban.
- Rendszeresen leellenőrizni a szerszám tartót elhasználódásra vagy sérülésekre.
- Egy ütő szerszámot csak akkor indítani, ha egy munkadarab (fal, plafon stb.) ellen van nyomva.
- A munka befejezése után leválasztani az áramhálózatáról és kivenni a vésőt vagy a fúrót a szerszámából.
- A véső vagy a fúró kicserélése előtt mindig leválasztani a fúró-vésőkalapácsot a hálózatról.
- Óvja a szeméit és a munkatársait a részecskék röpködése és a lepattogó idegen testek elől. Védősisakot hordani! Válaszfalakat felállítani!
- Munkakesztyűk védenek bőrhorzsolás elől.
- A vibrációk károsak lehetnek a kéz-kar-szisztéma részére: A vibrációk behatásának az idejét olyan rövidre kell tartani amennyire csak lehet.
- A hálózati kábelt a készüléktől mindig hátrafelé elvezetni.
- A készüléket úgy őrizni meg, hogy ne legyen a gyerekek számára hozzáférhető.
- Munka közben a készüléket mindig mind a

két kézzel tartani és ügyelni egy biztos állásra.

- Az anyag megdolgozása előtt ügyelni kell arra, hogy a készüléken, az elvégezendő megdolgozáshoz helyes kapcsolópozíció legyen beállítva. Különben a gép beindulásánál fennáll a testi sérülés veszélye.

Őrizze jól meg ezeket a biztonsági utasításokat.

3. A készülék leírása (1-es kép)

1. Porvédő
2. Záróhüvely
3. Pótfogantyú
4. Rögzítőcsavar a mélységütközőhöz
5. Átkapcsoló fúrni / ütvefúrni / vésni
6. Fogantyú
7. Jobb -/ balmenet- átkapcsoló
8. Rögzítőgomb
9. Fordulatszám-szabályozó
10. Be-/kikapcsoló
11. Üzemjelző
12. Kijelző a szénkefekopáshoz
13. Mélységütköző
14. Kiegészítő gyorsszorítású fúrótokmány
15. Porfelfogó-berendezés

4. A szállítás terjedelme

Vegyen ki minden részt a csomagolásból és ellenőrizze őket le teljességre.

- Fúró-vésőkalapács PBH 1100 A1
- Pótfogantyú
- Mélységütköző
- Fúró kövekhez (6, 8, 10 mm)
- Hegyes véső - laposvéső
- Kiegészítő gyorsszorítású fúrótokmány
- Porfelfogó-berendezés
- Használati utasítás

5. Rendeltetésszerűi használat

Ez a készülék a megfelelő fúró vagy véső használatával betonba, kőzetekbe és téglákba úgy mint vésőmunkákra lett meghatározva.

A gépet csak rendeltetése szerint szabad használni. Ezt túlhaladó bármilyen használat, nem számít rendeltetésszerűnek. Ebből adódó bármilyen kárért vagy bármilyen fajta sérülésért a használó ill. a kezelő felelős és nem a gyártó.

Kérjük vegye figyelembe, hogy a készülékeink rendeltetésük szerint nem az ipari, kézműipari vagy gyári használatra lettek konstruálva. Nem vállalunk szavatosságot, ha a készülék ipari, kézműipari vagy gyári üzemek területén valamint egyenértékű tevékenységek területén van használva.

6. Technikai adatok

Hálózati feszültség:	230 – 240 V~ 50 Hz
Teljesítményfelvétel:	1050 W
Üresjáratú-fordulatszám:	0-1100 perc ⁻¹
Ütésszám:	0-5100 perc ⁻¹
Fúrési teljesítmény beton/kő (max.):	Ø 26 mm
Védőosztály:	II/ □
Tömeg:	3,6 kg

Zaj és vibrálás

A zaj és a vibrálási értékek az EN 60745 szerint lettek mérve.

Hangnyomásmérték L_{pA}	91,8 dB(A)
Bizonytalanság K_{pA}	3 dB
Hangteljesítménymérték L_{WA}	102,8 dB(A)
Bizonytalanság K_{WA}	3 dB

HU

A fúrókalapács a 2000/14/EC_2005/88/EC irányvonal 3. cikkének megfelelően nem lett a szabadban történő használatra előrelátva.

Hordjon egy zajcsökkentő fülvédőt.

A zaj behatása hallásvesztéshez vezethet.

A rezgésösszértékek (három irány vektorösszege) az EN 60745 szerint lettek meghatározva.

Fúrókalapácsolni betonba

Rezgéskibocsátóérték $a_h = 15,81 \text{ m/s}^2$

Bizonytalanság $K = 1,5 \text{ m/s}^2$

Vésni

Rezgéskibocsátóérték $a_h = 15,668 \text{ m/s}^2$

Bizonytalanság $K = 1,5 \text{ m/s}^2$

Figyelmeztetés!

A megadott rezgésemisszióérték egy szabványosított ellenőrzési folyamat szerint lett mérve és az elektromos szerszám használatának a fajtájától és módjától függően, megváltozhat és kivételes esetekben a megadott érték felett lehet.

A megadott rezgésemisszióértéket fel lehet használni az elektromosszerszámok egymással való összehasonlításához.

A megadott rezgésemisszióértéket a befolyásolás bevezető felbecsülésére is fel lehet használni.

Csökkentse le egy minimumra a zajkibocsátást és a vibrálást!

- Csak kifogástalan készülékeket használni.
- A készüléket rendszeresen karbantartani és megtisztítani.
- Illessze a munkamódját a készülékhez.
- Ne terhelje túl a készüléket.
- Hagyja adott esetben leellenőrizni a készüléket.
- Kapcsolja ki a készüléket, ha nem használja.
- Hordjon kesztyűket.

7. Beüzemeltetés előtt

⚠ Figyelem!

Győződjön meg rákapcsolás előtt arról, hogy a típustáblán megadott adatok megegyeznek a hálózati adatokkal.

Húzza mindig ki a hálózati csatlakozót, mielőtt beállításokat végezne el a készüléken.

Egy vezetékkeresővel megvizsgálni a bevetés helyét rejtetten fekvő villanyvezetékekre, gáz- és vízcsövekre.

7.1 Pótfogantyú (2-es ábra – poz. 3)

A fúró-vésőkalapácsot biztonsági okokból csak a pótfogantyúval használni.

A gép használatánál a pótfogantyú (3) kiegészítő tartást nyújt. Ezért ne használja a készüléket a pótfogantyú (3) nélkül. A pótfogantyú (3) beszorítás által lesz a gépre felerősítve. A pótfogantyúnak (3) az óramutató forgási irányába való elfordítása által lesz a szorítás meghúzva. Az óramutató járásával elenkező irányba való csavarás kiereszti a beszorítást.

- Legelőször fel kell szerelni a mellékelt pótfogantyút (3). Ehhez a pótfogantyú (3) elfordítása által eléggé ki kell nyitni a szorítót, azért hogy a pótfogantyút (3) a gépre lehesen tolni.
- A pótfogantyú (3) feltolása után fordítsa azt, az Ön számára lekényelmesebb munkahelyzetbe.
- Most a pótfogantyút (3) az ellenkező forgásirányba ismét addig becsavarni, amíg a pótfogantyú (3) feszesen nem fekszik.
- A pótfogantyú (3) úgy a jobbkezesek számára mint a balkezesek számára alkalmas.

7.2 Mélységütköző (3-as ábra – poz. 13)

A mélységütköző (13) a pótfogantyún (3) levő rögzítőcsavarral (4) lesz szorítás által tartva.

- Eressze meg a rögzítőcsavart (4) és tegye be a mélységütközőt (13).
- Tegye a mélységütközőt (13) a fúróval egyszintbe.
- Húzza a kívánt fúrásmélységre vissza a mélységütközőt (13).
- Húzza ismét feszesre a rögzítőcsavart (4).
- Most addig fúrni a lyukat, amíg a mélységütköző (13) a munkadarabot meg nem érinti.
- A mélységütköző (13) egy raszterozással van ellátva, amely használatánál megakadályozza a mélységütköző (13) eltolását.

7.3 Szerszámokat betenni (4-es ábra)

- A szerszámot a behelyezés előtt megtisztítani és fúrózsírral enyhén bezsírozni a szerszám-szárat.
- A reteszelő hüvelyt (2) hátrahúzni és tartani.
- A pormentes szerszámot csavarva ütközésig betolni a szerszámartóba. Miután el lesz engedve a bereteszelő hüvely, a szerszám önmagától bereteszel.
- A reteszelést a szerszámon történő húzás által leellenőrizni.

7.4 Szerszámokat kivenni (5-ös ábra)

A reteszelő hüvelyt (2) hátrahúzni, tartani és kivenni a szerszámot.

7.5 Porfelfogó-berendezés (8-as ábra)

Merőlegesen a fej felett történő fúrókalapácsos munkák előtt, a porfelfogó - berendezést (15) a fúróra tolni.

7.6 A kiegészítő gyorsszorítású fúrótkmány betétele (4-es ábra)

- A gyorsszorítású fúrótkmányt (14) behelyezés előtt megtisztítani és a gyorsszorítású fúrótkmány-szárat fúrózsírral enyhén bezsírozni.
- A reteszelő hüvelyt (2) hátrahúzni és tartani.
- A pormentes gyorsszorítású fúrótkmányt (14) csavarva ütközésig betolni a szerszámartóba. Miután el lesz engedve a bereteszelő hüvely, a gyorsszorítású

fúrótkmány (14) önmagától bereteszel.

- A gyorsszorítású fúrótkmányon (14) való húzás által leellenőrizni a reteszelést.

7.7 A kiegészítő gyorsszorítású fúrótkmány kivétele (5-ös ábra)

A reteszelő hüvelyt (2) hátrahúzni, tartani és kivenni a gyorsszorítású fúrótkmányt.

7.8 A fúrónak a gyorsszorítású fúrótkmányba való betétele (képek 6-tól – 7-ig)**⚠ Figyelem!**

- Húzza mindig ki a hálózati csatlakozót, mielőtt beállításokat végezne el a készüléken.
- A 7.2-ben leírottak szerint megereszteni a mélységütközőt (13) és a fúrófogantyú irányába tolni. Ezáltal szabad a gyorsszorítású fúrótkmányhoz (14) való hozzáférhetés.
- Csavarja fel a gyorsszorítású fúrótkmányt (14). A fúrótkmány nyílásnak elég nagynek kell lennie, ahhoz hogy befogadja a fúrót.
- Válasszon ki egy megfelelő fúrót. Tolja a szerszámot addig be a fúrótkmány nyílásba ameddig csak lehet.
- Csavarja be a gyorsszorítású fúrótkmányt (14). Ellenőrizze le, hogy a fúró feszesen bent fekszik e a gyorsszorítású fúrótkmányban (14).
- Ellenőrizze le rendszeres időközökben a fúró ill. a szerszám feszes fekvését (kihúzni a hálózati csatlakozót!).

HU

8. Beüzemeltetés

⚠ Figyelem!

Egy veszélyeztetésnek az elkerüléséhez a gépet csakis mind a két fogantyúnál (3/6) fogva szabad tartani! Különben a vezetékek megfűrásánál áramütés veszélye állhat fenn!

8.1 Üzemjelző (1-es ábra/poz. 11)

Bedugott hálózati csatlakozónál világít az üzemjelző (11).

8.2 Be-/ kikapcsoló (9-es kép/poz. 10)

- Tegyen először egy megfelelő fűrót a készülékbe (lásd a 7.3-et).
- Csatlakoztassa a hálózati csatlakozót egy megfelelő dugaszoló aljzatba.
- Tegye a fűró-vésőkalapácsot direkt a fűráshelyre rá.

Bekapcsolni:

Megnyomni a be-/kikapcsolót (10).

Kikapcsolni:

Elengedni a be-/kikapcsolót (10).

Bekapcsolni a tartósüzemet:

A rögzítőgombbal (8) biztosítani a be-/kikapcsolót (10). Figyelem! Arretálás csak a jobbmenetben lehetséges.

Kikapcsolni a tartósüzemet:

Röviden megnyomni a be-/kikapcsolót (10).

8.3 A fordulatszám beállítása (9-es kép/poz. 10)

- Az üzem ideje alatt fokozatmentesen lehet irányítani a fordulatszámot.
- A fordulatszámot a be-/kikapcsoló (10) erősebb vagy gyengébb nyomása által válassza ki.
- A helyes fordulatszám kiválasztása: A legjobban megfelelő fordulatszám a munkadarabtól, az üzemmódtól és a használt fűrótól függ.
- Gyenge nyomás a be-/kikapcsolóra (10): alacsonyabb fordulatszám
- Nagyobb nyomás a be-/kikapcsolóra (10): magasabb fordulatszám

Tipp: Fúrólukakat alacsony fordulatszámmal megfűrni. Azután a fordulatszámot fokozatosan növelni.

Előnyök:

- A megfűrásnál könnyebben lehet kontrollálni a fűrót és ezáltal nem csúszik le.
- Elkerüli a szétforgácsolódott furatokat (mint például a csempéknél).

8.4 A fordulatszám előzetes kiválasztása (9-es kép/poz. 9)

- Ezt a beállítást nem a fűrás ideje alatt elvégezni.
- A fordulatszám-szabályozó (9) lehetővé teszi Önnek a maximáli fordulatszám meghatározását. A be-/kikapcsolót (10) most csak az előre megadott maximális fordulatszámig lehet benyomni.
- Állítsa be a be-/kikapcsolóban (10) levő fordulatszám-szabályozóval (9) a fordulatszámot.

8.5 Jobb-/balmenet-átkapcsoló (9-es kép/poz. 7)

Csak nyugalmi helyzetben átkapcsolni!

Állítsa be a jobb-/balmenet-átkapcsolóval (7) az ütvéfűró forgásirányát:

Forgásirány	Kapcsolóhelyzet
Jobbmenet (előre és fűrni)	balra benyomni
Balmenet (hátrafutás)	jobbra benyomni

8.6 Átkapcsoló fűrni/ütféfűrni/vésni (10-es ábra)

Figyelem!

Ha fel van szerelve a kiegészítő gyorszorítású fűrótokmány (14), akkor nem állnak az ütféfűrni/vésni funkciók a rendelkezésére.

- A fűráshoz az átkapcsolón (5) levő gombot (E) nyomni és egyidejűleg az átkapcsolót (5) az A kapcsolóállásba fordítani.
- Az ütféfűráshoz az átkapcsolón (5) levő gombot (E) nyomni és egyidejűleg az átkapcsolót (5) a B kapcsolóállásba fordítani.

- Véséshez az átkapcsolón (5) levő gombot (E) nyomni és egyidejűleg az átkapcsolót (5) a C kapcsolóállásba fordítani. A C állásban a véső nincs arretálva.
- Véséshez az átkapcsolón (5) levő gombot (E) nyomni és egyidejűleg az átkapcsolót (5) a D kapcsolóállásba fordítani. A D állásban arretálva van a véső.

⚠ Figyelem!

Az ütvefűráshoz csak egy csekély rányomóerőre van szükség. Egy túl nagy nyomás feleslegesen erőteti a motort. A fűrót rendszeresen felülvizsgálni. A tompa fűrőket utánaélezni vagy kicserélni.

9. A hálózati csatlakozóvezetékek a kicserélése

Ha megsérült ennek a készüléknek a hálózati csatlakozóvezetéke, akkor azt a veszélyeztetések elkerüléséhez a gyártó vagy annak a vevőszolgáltatása, vagy egy hasonlóan szakképzett személy által ki kell cseréltetni.

10. Tisztítás, karbantartás és pótalkatrészmegrendelés

⚠ Figyelem!

Tisztítási munkák előtt húzza ki a hálózati csatlakozót.

10.1 Tisztítás

- Tartsa a védőberendezéseket, szellőztető réseket és a gépházat annyira por- és piszokmentesen, amennyire csak lehet. Dörzsölje le a készüléket egy tiszta posztóval vagy pedig fújja ki alacsony nyomás alatt sűrített levegővel.
- Ajánljuk, hogy minden használat után azonnal kitisztítsa a készüléket.
- A készüléket rendszeresen egy nedves posztóval és egy kevés kenőszappannal

megtisztítani. Ne használjon tisztító vagy oldó szereket; ezek megtámadhatják a készülék műanyagrészeit. Ügyeljen arra, hogy ne kerüljön víz a készülék belsejébe.

10.2 Szénkefék

Túlságos szikraképződés vagy a szénkefék elkopása (12) kijelzőjének a felvilágítása esetén hagyja a szénkeféket egy elektromos szakerő által leellenőrizni.

10.3 Karbantartás

A készülék belsejében nem található további karbantartandó rész.

10.4 A pótalkatrész megrendelése:

A pótalkatrészek megrendlésénél a következő adatokat kellene megadni:

- A készülék típusát
- A készülék cikk-számát
- A készülék ident- számát

Aktuális árak és információk a www.isc-gmbh.info alatt találhatóak.

11. Megsemmisítés és újrahaznosítás

A szállítási károk megakadályozásához a készülék egy csomagolásban található. Ez a csomagolás nyersanyag és ezáltal ismét felhasználható vagy pedig visszavezethető a nyersanyag körforgáshoz. A készülék és annak a tartozékai különböző anyagokból állnak, mint például fémből és műanyagokból. Vigye a károsult alkatrészeket a különhulladék megsemmisítési helyhez. Érdeklődjön utána a szaküzletben vagy a községi közigazgatásnál!

HU



Csak az EU-országoknak

Ne dobja az elektromos
szerszámokat a háztartási hulladék
közé!

Az elektromos- és elektronikus-öregkészülékek 2002/96/EK európai irányvonala és a nemzeti jogba való átvétele szerint az elhasznált elektromos szerszámokat szétválasztva kell összegyűjteni és vissza kell vezetni egy környezetvédelemnek megfelelő újrafelhasználáshoz.

Recycling-alternatívák a visszaküldési felszólításhoz:

Az elektromos készülék tulajdonosa, a tulajdon feladása esetében köteles a visszaküldés helyett alternatív a szakszerű értékesítéssel kapcsolatban összedolgozni. Ehhez az öreg készüléket egy visszavevő helynek is át lehet hagyni, amely elvégzi a nemzeti körforgásipari- és hulladéktörvények értelmében levő megsemmisítést. Ez nem érinti az öreg készülékek mellékelt elektromos alkotórészek nélküli tartozékait és segítőeszközeit.

12. Konformkijelentés

Einhell Germany AG · Wiesenweg 22 · D-94405 Landau/Isar



Konformitätserklärung

- erklärt folgende Konformität gemäß EU-Richtlinie und Normen für Artikel
 explains the following conformity according to EU directives and norms for the following product
 déclare la conformité suivante selon la directive CE et les normes concernant l'article
 dichiara la seguente conformità secondo la direttiva UE e le norme per l'articolo
 verklaart de volgende overeenstemming conform EU richtlijn en normen voor het product
 declara la siguiente conformidad a tenor de la directiva y normas de la UE para el artículo
 declara a seguinte conformidade, de acordo com a directiva CE e normas para o artigo
 atterer følgende overensstemmelse i medfør af EU-direktiv samt standarder for artikel
 förklarar följande överensstämmelse enl. EU-direktiv och standarder för artikeln
 vakuuttaa, että tuote täyttää EU-direktiivin ja standardien vaatimukset
 tõendab toote vastavust EL direktiivile ja standarditele
 vydává následující prohlášení o shodě podle směrnice EU a norem pro výrobek
 potrjuje sledečo skladnost s smernico EU in standardi za izdelek
 vydáva nasledujúce prehlásenie o zhode podľa smernice EÚ a noriem pre výrobok
 a cikkekhez az EU-irányvonal és Normák szerint a következő konformitást jelenti ki
 deklaruje zgodność wymienionego poniżej artykułu z następującymi normami na podstawie dyrektywy WE.
 декларира съответното съответствие съгласно Директива на ЕС и норми за артикул
 paskaidro šādu atbilstību ES direktīvai un standartiem
 aribūdina šj atitikimą EU reikalavimams ir prekės normoms
 declară următoarea conformitate conform directivei UE și normelor pentru articolul
 δηλώνει την ακόλουθη συμμόρφωση σύμφωνα με την Οδηγία ΕΚ και τα πρότυπα για το προϊόν
 potvrđuje sljedeću usklađenost prema smjernicama EU i normama za artikl
 Izjava o sukladnosti za ovaj proizvod dostupna je na internet stranici www.lidl.hr.
 potvrđuje sljedeću usklađenost prema smjernicama EU i normama za artikl
 potvrđuje sledeću usklađenost prema smernicama EZ i normama za artikl
 следующим удостоверяется, что следующие продукты соответствуют директивам и нормам ЕС
 проголошує про зазначену нижче відповідність виробу директивам та стандартам ЄС на виріб
 Ürünü ile ilgili AB direktifleri ve normları gereğince aşağıda açıklanan uygunluğu belirtir
 erklærer følgende samsvar i henhold til EU-direktivet og standarder for artikkel
 Lysin uppfyllingu EU-reglna og annarra staða vöru

Bohrhammer PBH 1100 A1 (Parkside)

- | | |
|---|--|
| <input type="checkbox"/> 87/404/EC_2009/105/EC | <input checked="" type="checkbox"/> 2006/42/EC |
| <input type="checkbox"/> 2005/32/EC_2009/125/EC | <input type="checkbox"/> Annex IV
Notified Body:
Notified Body No.:
Reg. No.: |
| <input type="checkbox"/> 2006/95/EC | |
| <input type="checkbox"/> 2006/28/EC | |
| <input checked="" type="checkbox"/> 2004/108/EC | <input type="checkbox"/> 2000/14/EC_2005/88/EC |
| <input type="checkbox"/> 2004/22/EC | <input type="checkbox"/> Annex V |
| <input type="checkbox"/> 1999/5/EC | <input type="checkbox"/> Annex VI
Noise: measured L_{WA} = dB (A); guaranteed L_{WA} = dB (A)
P = KW; L/Ø = cm
Notified Body: |
| <input type="checkbox"/> 97/23/EC | |
| <input type="checkbox"/> 90/396/EC_2009/142/EC | |
| <input type="checkbox"/> 89/686/EC_96/58/EC | <input type="checkbox"/> 2004/26/EC
Emission No.: |
| <input checked="" type="checkbox"/> 2011/65/EC | |

Standard references: EN 60745-1; EN 60745-2-6; EN 55014-1;
EN 55014-2; EN 61000-3-2; EN 61000-3-3

Landau/Isar, den 21.09.2011

Weichselgartner/General Manager

Unger/Product-Management

First CE: 08
Art.-No.: 42.583.76 I.-No.: 11031
Subject to change without notice

Archive-File/Record: NAPR004729
Documents registrar: Georg Riedel
Wiesenweg 22, D-94405 Landau/Isar

13. GARANCIAOKMÁNY

Tisztelt Vevő,

termékeink szigorú minőségi kontroll alá vannak vetve. Ha ez a készülék mégis egyszer nem működne kifogástalanul, akkor azt nagyon sajnáljuk és kérjük Önt forduljon a szervízszolgálatunkhoz amely ebben a garanciaútleveleiben megadott cím alatt található. Szívesen állunk a rendelkezésére telefonon is, az alul megadott szervízsám alatt. A garanciaigények érvényesítésére a következők érvényesek:

1. Ezek a garanciafeltételek szabályozzák a kiegészítő garanciateljesítményeket. A jogi szavatossági igények, ez a garancia által nincsennek érintve. A garanciateljesítményünk az Ön számára ingyenes.
2. A garanciateljesítmény csak kizárólagosan olyan hibákra terjed ki, amelyek anyag- vagy gyártási hibákra visszavezethetőek és ezeknek a hibáknak a kiküszöbölésére ill. a készülék kicserélésére van korlátozva. Kérjük vegye figyelembe, hogy a készülékeink a meghatározásuk szerint nem kisipari, kézműipari vagy ipari üzemek területén történő bevetésre lettek tervezve. Ezért a garanciaszerződés nem jön létre, ha a készülék kisipari, kézműipari vagy ipari üzemek területén valamint egyenértékű tevékenységek területén van használva. Továbbá a következő kárpótlási teljesítmények mint a szállítási károkért, károkért amelyek az összeszerelési utasítás figyelmen kívül hagyása vagy amelyek a nem szakszerű felszerelés, a használati utasítás figyelmen kívül hagyása (mint például egy rossz hálózati feszültségre vagy áramfajtára való rákapsolás), visszaélészerű vagy nem szakszerű használatok (mint például a készülék túlterhelése vagy nem engedélyezett betétszerszámok vagy tartozékok), a karbantartási és biztonsági határozatok figyelmen kívül hatása, idegen testek behatolása a készülékbe (mint például homok, kövek vagy por) erőszakbehatolás vagy idegen behatások (mint például leejtés általi károk) úgymint a használat általi, szokásos kopások által keletkező károk ki vannak zárva. Ez különösen azokra az akkukra érvényes, amelyekre még egy 12 hónapos garanciaidőt nyújtunk.

A készüléken történő előzetes belenyúlás esetén elveszítődik a garanciajogosultság.

3. A garanciaidő érvényessége 3 év és a készülék vásárlási időpontjával kezdődik. A garanciaigények a garanciaidő lejárása előtt, két héten belül érvényesíteni kell, miután felismerte a hibát. A garanciajog érvényesítése a garancia idő lejárása után ki van zárva. A készülék kicserélése vagy megjavítása nem vezet a garancia időtartamának a meghosszabításához se nem vezet ez a teljesítmény a készülék vagy az esetleg beépített pótalkatrészek egy új garanciaidőtartamhoz. Ez egy helyszíni szervíz esetében is érvényes.
4. A garanciajog érvényesítéséhez kérjük küldje a defekt készüléket bérmentesen a lent megadott címre. Mellélkelje a vásárlási nyugtát eredetiben vagy egyéb módon levő bizonylatot a vásárlás keltéről. Kérjük őrizze ezért jól meg a pénztári cédulát mind bizonyítékot! Kérjük írja le lehetőleg pontosan a reklamáció okát. Ha a defekt a garanciateljesítményünk keretén belül van, akkor kap azonnal egy megjavított vagy egy új készüléket vissza.

Magától érthetődő, hogy a költségek megtérítése ellenében szívesen megjavítsuk azokat a készüléken levő defekteket amelyek a garancia terjedelme nem vagy már nem érinti. Ehhez küldje kérjük a készüléket a szervícímünkre.

EINHELL HUNGARIA LTD.
KÖZPONTI SZERVIZ - VEVŐSZOLGÁLAT
1107 BUDAPEST, MÁZSA TÉR 5-7.
Tel. 06(1) 237-0494 · Fax 06(1) 237-0495

Kazalo	Stran
1. Uvod	33
2. Varnostni napotki	33-35
3. Opis naprave	36
4. Obseg dobave	36
5. Namenska uporaba	36
6. Tehnični podatki	36-37
7. Pred prvim zagonom	37-38
8. Prvi zagon	38-40
9. Menjava priključka za omrežje	40
10. Čiščenje, vzdrževanje in naročanje nadomestnih delov	40
11. Odstranjevanje in ponovna uporaba	41
12. Izjava o skladnosti	42
13. Garancijska listina	43

Ponatis ali kakršnokoli razmnoževanje dokumentacije in spremljajočih papirjev o proizvodu, tudi po izvlečkih, je dovoljeno samo z izrecnim soglasjem ISC GmbH.

Pridržana pravica do tehničnih sprememb

SI

Dodatni varnostni napotki



“OPOZORILO - Za zmanjšanje tveganja poškodb preberite navodila za uporabo stroja”



Uporabljajte zaščito za ušesa.

Učinkovanje hrupa lahko povzroči izgubo sluha.



Uporabljajte protiprašno zaščitno masko.

Pri obdelavi lesa in drugih materialov lahko pride do nastajanja zdravju škodljivega prahu. Materiala, ki vsebuje azbest, ne smete obdelovati!



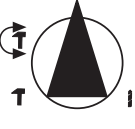
Uporabljajte zaščitna očala.

Med delom nastajajoče iskre ali iz naprave izletajoči delčki, ostružki in prah lahko povzročijo izgubo vida.

1



2



Med posameznimi funkcijami preklaplajte samo ob mirovanju naprave, saj s tem preprečite, da se poškoduje.

1. Uvod

⚠ Pozor!

Pri uporabi naprav je potrebno upoštevati nekaj varnostnih ukrepov, da bi preprečili poškodbe in materialno škodo. Zato skrbno preberite ta navodila za uporabo/varnostne napotke. Le-te dobro shranite tako, da boste imeli zmeraj pri roki potrebne informacije. Če bi napravo izročili drugim osebam, Vas prosimo, da jim izročite tudi ta navodila za uporabo/varnostne napotke. Ne prevzemamo nobene odgovornosti za nezgode ali škodo, ki bi nastale zaradi neupoštevanja teh navodil za uporabo in varnostnih napotkov.

2. Varnostni napotki

⚠ OPOZORILO

Preberite vse varnostne napotke in navodila. V primeru, da tega ne storite, so lahko posledica električni udar, požar in/ali hude poškodbe. **Shranite vse varnostne napotke in navodila za kasnejšo uporabo.**

V varnostnih napotkih uporabljeni pojem „električno orodje“ se nanaša na električna orodja, ki jih poganja omrežni električni tok (z električnim priključnim kablom) in na električna orodja na akumulatorski pogon (brez električnega priključnega kabla).

1. Varnost na delovnem mestu

- **Delovno območje vzdržujte v čistem in pospravljenem stanju.** Nered in neosvetljena delovna območja lahko privedejo do nezgod.
- **Z električnim orodjem ne delajte v eksplozivno nevarnem okolju, v katerem se nahajajo vnetljive tekočine, plini ali prah.** Električna orodja proizvajajo iskre, ki lahko povzročijo vžig prahu ali pare.
- **Med uporabo električnega orodja naj se otroci in druge osebe ne nahajajo v bližini.**

V primeru nepozornosti lahko izgubite

nadzor nad napravo.

2. Električna varnost

- **Priključni vtikač električnega orodja mora biti primeren za uporabljano vtičnico. Vtikača ne smete v nobenem primeru spreminjati. Ne uporabljajte nobenih adapterskih vtikačev skupaj z zaščitno ozemljenimi električnimi orodji.** Nespremenjeni vtikači in ustrezne vtičnice zmanjšujejo tveganje električnega udara.
- **Izogibajte se stiku telesa z ozemljenimi površinami kot so cevi, gretje, štedilniki in hladilniki.** Obstaja povečano tveganje električnega udara, ko je Vaše telo ozemljeno.
- **Držite električna orodja v stran od dežja ali vlage.** Vstop vode v električno napravo povečuje tveganje električnega udara.
- **Kabla ne uporabljajte v druge namene, da bi električno orodje prenašali, obešali ali, da bi s kablom izvlačili električni priključni vtikač. Kabel držite v stran od vročine, olja, ostrih robov ali premičnih delov naprave.** Poškodovani ali zviti kabli povečujejo tveganje električnega udara.
- **Ko delate z električnim orodjem na prostem, uporabljajte samo kabelske podaljške, ki so primerni tudi za uporabo na prostem.** Uporaba za na prostem primerne kabelske podaljške zmanjšuje tveganje električnega udara.
- **Če se ne morete izogniti uporabi električnega orodja v vlažnem okolju, uporabljajte zaščitno stikalo za ovarni tok.** Uporaba zaščitnega stikala za okvarni tok zmanjšuje tveganje električnega udara.

3. Varnost oseb

- **Bodite pozorni in pazite na to, kar počnete in dela z električnim orodjem se ločite razumno. Ne uporabljajte električnega orodja, če ste utrujeni ali pod vplivom drog, alkohola ali zdravil.** Trenutek nepozornosti pri uporabi električnega orodja lahko privede do resnih

SI

poškodb.

- **Uporabljajte osebno zaščitno opremo in zmeraj zaščitna očala.**

Nošenje osebne zaščitne opreme kot so protiprašna maska, proti zdrsu varna obutev, zaščitna čelada ali zaščita za ušesa, glede na vrsto uporabe električnega orodja, zmanjšuje tveganje poškodb.

- **Izogibajte se nenačrtovanemu zagonu. Prepričajte se, če je električno orodje izključeno preden ga priključite na tokovno napajanje in/ali akumulator, ga dvigujete ali prenašate.**

Če pri prenašanju električnega orodja držite prst na stikalu ali priključujete na tokovno napajanje napravo vključeno, lahko to privede do nezgode.

- **Odstranite orodje za nastavitve ali izvijače preden vključite električno orodje.**

Orodje ali ključi, ki se nahajajo v vrtečem se delu naprave, lahko povzročijo poškodbo.

- **Izogibajte se nenormalni drži telesa. Poskrbite za varno stoji in vedno držite ravnotežje.**

Tako boste lahko bolje nadzorovali električno orodje v nepričakovanih situacijah.

- **Nosite primerno obleko. Ne nosite ohlapnih oblačil ali nakita. Držite lase, obleko in rokavice v stran od premičnih delov.**

Ohlapno obleko, nakit ali dolge lase lahko premični deli zagrabijo.

- **Če je možno montirati opremo za odsesavanje prahu in opremo za zajemanje prahu, se prepričajte, da bo le-ta priključena in pravilno uporabljena.**

Uporaba opreme za odsesavanje prahu lahko zmanjša tveganje zaradi prahu.

4. Uporaba in delo z električnim orodjem

- **Ne preobremenjujte naprave. Uporabljajte za Vaše delo namenjeno električno orodje.**

Z ustreznim električnim orodjem boste delali bolje in varneje v navedenem močnostnem območju.

- **Ne uporabljajte električnega orodja, ki ima pokvarjena stikala.**

Električno orodje, ki ga ni več možno vključiti ali izključiti, je nevarno in ga je potrebno popraviti.

- **Izvlomite vtikač iz vtičnice in/ali odstranite akumulator preden začnete izvajati nastavitve na napravi, zamenjate dele orodja na napravi ali odložite napravo.**

Takšni preventivni ukrepi preprečijo nenačrtovani zagon električnega orodja.

- **Neuporabljano električno orodje shranjujte izven dosega otrok. Ne pustite napravo uporabljati osebam, ki niso seznanjene z napravo ali niso prebrale navodila za uporabo naprave.**

Električna orodja so nevarna, če jih uporabljajo neizkušene osebe.

- **Skrbno negujte električno orodje. Preverite, če premični deli delujejo brezhibno in se ne zatikajo, če niso deli zlomljeni ali poškodovani, kar bi lahko negativno vplivalo na delovanje električnega orodja. Pred uporabo naprave predajte poškodovane dele v popravilo.**

Mnoge nezgode so posledica slabo vzdrževanega električnega orodja.

- **Vaše rezalno orodje vzdržujte v ostrem in čistem stanju.**

Skrbno negovano rezalno orodje z ostrimi rezalnimi robovi se manj zatika in ga je lažje voditi.

- **Uporabljajte električno orodje, pribor za električno orodje, itd. v skladu s temi navodili. Pri tem upoštevajte delovne pogoje in izvajano dejavnost.**

Uporaba električnih orodij za druge namene kot je to predpisano lahko privede do nevarnih situacij.

5. Servisiranje

- **Pustite, da bo Vaše električno orodje popravil samo strokovno usposobljeni električar in pri tem uporabljal samo originalne nadomestne dele.**

S tem bo zagotovljeno, da se ohrani varnost električnega orodja.

Varnostni napotki za kladivo

- **Uporabljajte rokavice.** Učinkovanje hrupa lahko povzroči izgubo sluha.
- **Uporabljajte dodatne ročaje, ki so dobavljeni skupaj z vrtnim strojem.** Izguba nadzora nad orodjem lahko povzroči poškodbe.
- **Držite napravo za izolirane prijemne površine, ko izvajate dela, pri katerih lahko orodje naleti na zakrito električno napeljavo ali na lastni električni priključni kabel.** Kontakt z napeljavo, ki je pod napetostjo, lahko postavi pod napetost tudi kovinske dele naprave in povzroči električni udar.

Posebni varnostni napotki za vrtno in sekalno kladivo

- Preverite napetost, navedeno na tipski tablici (volti).
- Če uporabljate kableske bobne, napeljavo do konca odvijte. Prerez žice vsaj 1,5 mm².
- Ko prostoročno vrtate, pazite na varni položaj na lestvah ali gradbenih odrih.
- V stenah, kjer je nevidno položena električna, vodovodna ali plinska napeljava, morate najprej lokalizirati napeljavo z napravo za zaznavanje napeljave. Izogibajte se stiku z deli ali vodniki pod električnim tokom.
- Za zaščito Vaših ušes uporabljajte zaščito: neopazna izguba sluha!
- Uporabljajte zaščitna očala in uporabljajte protiprašno masko pri delu, ko nastaja prah.
- Ne izvajajte del v območju pare ali vnetljivih tekočin.
- Pri vseh predelavah in čistilnih deli izvlecite vtič iz vtičnice.
- Omrežno napeljavo zaščitite pred poškodbami. Olje in kislina lahko napeljavo poškodujeta.
- Stroja ne preobremenjujte.
- **Važno!** Upoštevajte vse nacionalne varnostne predpise glede inštalacije, obratovanja in vzdrževanja.
- Sveder lahko pomotoma izleti iz orodja in povzroči hude poškodbe:
 - Pred začetkom dela zmeraj preverite, če je sveder čvrsto nameščen v držalu orodja.

- Držalo orodja redno preverjajte glede obrabljenosti ali poškodb.

- Udarno orodje zaženite samo, ko je pritisnjeno na obdelovanec (stena, strop, itd.).
- Po končanem delu ločite vrtno-sekalno kladivo od omrežja in odstranite dleto in vrtnik iz orodja.
- Preden menjate dleto ali vrtnik, vrtno-sekalno kladivo vedno ločite od omrežja.
- Zaščitite oči in sodelavce pred letečimi delci in odbitimi tujki. Uporabljajte zaščitno čelado!
Postavite zaščitne predelne stene!
- Delovne rokavice kožo ščitijo pred odrgninami.
- Vibracije so lahko škodljive za sistem rok: čas učinkovanja vibracij naj je čim krajši.
- Omrežni kabel vedno speljite od zadaj proč od naprave.
- Napravo shranite tako, da ne bo dostopna za otroke.
- Pri delu zmeraj držite napravo z obema rokama in pazite na varen položaj telesa.
- Pred obdelavo materiala morate paziti na to, da bo na napravi nastavljeni pravi položaj stikala za obdelavo, ki jo boste izvajali. V nasprotnem grozi nevarnost telesnih poškodb pri zagonu stroja.

Ta varnostna navodila dobro shranite.

SI

3. Opis naprave (Slika 1)

1. Protiprašna zaščita
2. Zapiralna puša
3. Dodatni ročaj
4. Pritrdilni vijak za globinski omejevalni nastavek
5. Preklopno stikalo za vrтанje/udarno vrтанje/klesanje
6. Ročaj
7. Stikalo za preklon smeri vrтанja desno/levo
8. Pritrdilni gumb
9. Regulator števila vrtljajev
10. Stikalo za vklop/izklop
11. Indikator delovanja
12. Indikator obrabe ogljikovih ščetk
13. Globinski omejevalni nastavek
14. Dodatna hitra vpenjalna glava
15. Priprava za sprejem prahu

4. Obseg dobave

Vzemite vse dele iz embalaže in preverite popolnost dobave.

- Vrtalno-sekalno kladivo PBH 1100 A1
- Dodatni ročaj
- Globinski omejevalni nastavek
- Vrtalnik za kamen (6, 8, 10 mm)
- Koničasto dleto – plosko dleto
- Dodatna hitra vpenjalna glava
- Priprava za sprejem prahu
- Navodilo za uporabo


5. Namenska uporaba

Naprava je namenjena udarnemu vrтанju v beton, kamen in opeko z uporabo ustreznega svedra.

Ta stroj se lahko uporablja le v skladu z njegovo namembnostjo. Vsaka druga uporaba šteje kot nenamenska nedovoljena uporaba. Za kakršnekoli poškodbe ali škodo, ki bi nastale zaradi nedovoljene uporabe, nosi odgovornost uporabnik/upravljalca in ne proizvajalec.

Prosimo, da upoštevate, da naše naprave niso bile konstruirane za namene uporabe v obrtništvu ali industriji. Ne prevzemamo nobene odgovornosti, če je bila naprava uporabljena v obrtništvu ali industriji ter v podobnih dejavnostih.

6. Tehnični podatki

Omrežna napetost:	230 - 240 V~ 50 Hz
Sprejem moči:	1050 W
Število vrtljajev v prostem teku:	0 - 1100 min ⁻¹
Število udarcev:	0 - 5100 min ⁻¹
Moč vrтанja beton/kamen (maks.):	Ø 26 mm
Zaščitni razred:	II / 
Teža:	3,6 kg

Hrup in vibracije

Vrednosti hrupa in vibracij so bile izmerjene v skladu z EN 60745.

Nivo zvočnega tlaka L _{pA}	91,8 dB (A)
Negotovost K _{pA}	3 dB
Nivo zvočne moči L _{WA}	102,8 dB (A)
Negotovost K _{WA}	3 dB

Vrtalno kladivo ni predvideno za uporabo na prostem, v skladu s členom 3 Direktive 2000/14/ES_2005/88/ES.

Uporabljajte zaščito za ušesa.

Učinkovanje hrupa lahko povzroči izgubo sluha.

Skupne vrednosti nihanj (vektorska vsota treh smeri) so bile ugotovljene v skladu z EN 60745.

Udarno vrтанje v beton

Emisijske vrednosti tresljajev a_h = 15,81 m/s²

Negotovost K = 1,5 m/s²

Klesanje

Emisijske vrednosti tresljajev $a_h = 15,668 \text{ m/s}^2$

Negotovost $K = 1,5 \text{ m/s}^2$

Opozorilo!

Navedena vrednost emisije tresljajev je bila izmerjena po normiranem postopku in se lahko spreminja in v izjemnih primerih prekorači navedeno vrednost glede na vrsto in način uporabe električnega orodja.

Navedena vrednost emisije tresljajev se lahko uporablja v primerjavo električnega orodja z enim drugim orodjem.

Navedena vrednost emisije tresljajev se lahko uporablja tudi za uvodno oceno škodovanja.

Omejite razvijanje hrupa in vibracij na minimum!

- Uporabljajte samo brezhibne naprave.
- Redno vzdržujte in čistite napravo.
- Način dela prilagodite napravi.
- Ne preobremenjujte naprave.
- Po potrebi dajte napravo na preverjanje.
- Izključite napravo, ko je ne uporabljate.
- Uporabljajte rokavice.

7. Pred prvim zagonom**⚠ Pozor!**

Preden stroj priklopite se prepričajte, da se podatki, ki so navedeni na tipski tablici, ujemajo z omrežnimi podatki.

Zmeraj izvlecite električni priključni vtičič preden začnete izvajati nastavitve.

Kraj uporabe preglejte z napravo za iskanje napeljav, da odkrijete morebitne električne napeljave in plinske ali vodne cevi.

7.1 Dodatni ročaj (Slika 2 – Pol. 3)**Vrtalno-sekalno kladivo iz varnostnih razlogov uporabljajte samo z dodatnim ročajem.**

Dodatni ročaj (3) nudi med uporabo stroja dodatno oporo. Zato ne uporabljajte naprave brez dodatnega ročaja (3). Dodatni ročaj (3) na stroj pritrdite z zaponko. Z obračanjem dodatnega ročaja (3) v smeri urinega kazalca zaponko pritegnete. Obračanje proti smeri urinega kazalca pa sprostí pritrditev.

- Priloženi dodatni ročaj (3) je potrebno predhodno montirati. Z obračanjem dodatnega ročaja (3) zaponko dovolj daleč odprite, da lahko dodatni ročaj (3) potisnete prek naprave.
- Ko ste namestili dodatni ročaj (3), da postavite v delovni položaj, ki Vam najbolj ustreza.
- Sesaj dodatni ročaj (3) ponovno pritegnite v nasprotni smeri, dokler ni dodatni ročaj (3) trdno pritrjen.
- Dodatni ročaj (3) je primeren tako za desničarje kot tudi za levičarje.

7.2 Globinski omejevalni nastavek**(Slika 3 – Pol. 13)**

Zaponka drži globinski omejevalni nastavek (13) z nastavitvenim vijakom (4) na dodatnem ročaju (3).

- Odpustite nastavitveni vijak (4) in nastavite globinski omejevalni nastavek (13).
- Globinski omejevalni nastavek (13) namestite v istem nivoju glede na sveder.
- Potegnite globinski omejevalni nastavek

SI

(13) nazaj na želeno globino vrtnja.

- Ponovno pritegnite nastavitveni vijak (4).
- Sedaj vrtajte luknjo, dokler se globinski omejevalni nastavek (13) ne dotakne obdelovanca.
- Globinski omejevalni nastavek (13) je opremljen z zaskočnim mehanizmom, ki prepreči premik globinskega omejevalnega nastavka (13).

7.3 Vstavljanje orodja (Slika 4)

- Pred vstavljanjem orodja le-to očistite in rahlo namažite gred orodja z mastjo za svedre.
- Povlecite nazaj in držite zaskočno pušo (2).
- Brezprašno orodje z obračanjem vstavite do konca v sprejemni del za orodje. Orodje samo preide v zaskočni položaj, ko spustite zapahnitveni tulec.
- Preverite zaskočni položaj tako, da poskušate izvleči orodje.

7.4 Vstavljanje orodja (Slika 5)

Zaskočno pušo (2) povlecite nazaj, jo držite in vzemite orodje ven.

7.5 Zbiralnik prahu (Slika 8)

Pred delom z vrtnim kladivom potisnite zbiralnih prahu (15) navpično prek glave.

7.6 Uporaba dodatne hitre vpenjalne glave (Slika 4)

- Hitro vpenjalno glavo (14) pred uporabo očistite in rahlo namažite ročaj za hitro vpenjalno glavo z mastjo.
- Povlecite nazaj in držite zaskočno pušo (2).
- Hitro vpenjalno glavo (14) s krožnim gibom potisnite v sprejem orodja do omejila. Hitro vpenjalno glavo (14) samo preide v zaskočni položaj, ko spustite zapahnitveni tulec.
- Zapah preverite tako, da potegnete hitro vpenjalno glavo (14).

7.7 Odvzem dodatne hitre vpenjalne glave (Slika 5)

Zapahnitveni tulec (2) potegnite nazaj, jo držite in odvzemite hitro vpenjalno glavo.

7.8 Vstavljanje vrtnika v hitro vpenjalno glavo (Sliki 6-7)

⚠ Pozor!

- Zmeraj izvlecite električni priključni vtikač preden začnete izvajati nastavitve.
- Sprostite globinski omejevalni nastavek (13) kot je opisano pod točko 7.2 in ga potisnite v smeri ročaja vrtnika. Tako je dostop do hitre vpenjalne glave prost (14).
- Odvijte hitro vpenjalno glavo (14). Odprtina hitre vpenjalne glave mora biti dovolj velika, da vanjo vstavite vrtnik.
- Izberite ustrezen vrtnik. Orodje potisnite tako daleč v odprtino vpenjalne glave, kolikor gre.
- Privijte hitro vpenjalno glavo (14). Preverite, ali je vrtnik čvrsto vpet v hitro vpenjalno glavo (14).
- Preverjajte v rednih časovnih razmakih čvrsti položaj svedra oz. orodja (Predhodno izvlecite električni vtikač!).

8. Prvi zagon

⚠ Pozor!

Da bi preprečili nevarnost, morate stroj zmeraj držati za oba ročaja (3/6)! V nasprotnem lahko pri navrtanju napeljave grozi električni udar!

8.1 Indikator delovanja (Slika 1/Pol. 11)

Indikator delovanja (11) sveti, ko je omrežni vtikač vtaknjen v električno vtičnico.

8.2 Stikalo za vklop/izklop (Slika 9/Pol. 10)

- Najprej vstavite ustrezeni sveder v napravo (glej 7.3).
- Priključite električni vtikač na ustrežno električno vtičnico.
- Vrtalno-sekalno kladivo vstavite neposredno na mesto vrtnja.

Vklop:

Pritisnite stikalo za vklop/izklop (10).

Izklop:

Spustite stikalo za vklop/izklop (10).

Vklop trajnega obratovanja:

Stikalo za vklop/izklop (10) zavarujte z gumbom za fiksiranje stikala (8). Pozor! Blokada je možna le, ko naprava deluje v desno.

Izklop trajnega obratovanja:

Na kratko pritisnite stikalo za vklop/izklop (10).

8.3 Nastavitev števila vrtljajev (Slika 9/Pol. 10)

- Število vrtljajev lahko med uporabo stroja regulirate brezstopenjsko.
- Število vrtljajev izbirate z bolj ali manj močnim pritiskanjem na stikalo za vklop/izklop (10).
- Izbira pravega števila vrtljajev: Najprimernejše število vrtljajev je odvisno od obdelovanca, od načina obratovanja stroja in od uporabljanega svedra.
- Manjši pritisk na stikalo za vklop/izklop (10): nižje število vrtljajev
- Večji pritisk na stikalo za vklop/izklop (10): višje število vrtljajev

Nasvet: Luknje začnite navrtavati z nižjim številom vrtljajev. Potem postopoma povečujte število vrtljajev svedra.

Prednosti:

- Pri navrtavanju lahko bolje nadzorujete delo svedra in le-ta ne bo zdrsnil pri navrtavanju.
- Preprečili boste razpokanost vrtane luknje (n.pr. pri keramičnih ploščicah).

8.4 Predizbira števila vrtljajev (Slika 9/Pol. 9)

- Med vrtnjem ne izvajajte nastavitvev.
- Regulator števila vrtljajev (9) omogoči nastavitev največjega števila vrtljajev. Stikalo za vklop/izklop (10) lahko tedaj vtisnete samo še do nastavljenega največjega števila vrtljajev.
- Število vrtljajev nastavite z regulatorjem števila vrtljajev (9) na stikalo za vklop/izklop (10).

8.5 Stikalo za preklap smeri vrtnja desno/levo (Slika 9/Pol. 7)

- **Preklopite samo v stanju mirovanja naprave!**
- S stikalom za preklap smeri vrtnja deno/levo (7) nastavite smer vrtnja udarnega vrtalnika:

Smer vrtnja

Smer vrtnja v desno

(naprej in vrtnje)

Smer vrtnja v levo

(vzratni tek)

Položaj stikala

potisnite v levo

potisnite v desno

SI

8.6 Preklopno stikalo vrтанje/udarno vrтанje/klesanje (Slika 10)

Pozor!

Če je nameščena dodatna hitra vpenjalna glava (14), funkcije udarno vrтанje/klesanje niso na voljo.

- Za vrтанje stisnite gumb (E) na preklopnem stikalu (5) in hkrati potisnite preklopno stikalo (5) in v položaj stikala A.
- Za udarno vrтанje stisnite gumb (E) na preklopnem stikalu (5) in hkrati potisnite preklopno stikalo (5) in v položaj stikala B.
- Za klesanje stisnite gumb (E) na preklopnem stikalu (5) in hkrati potisnite preklopno stikalo (5) in v položaj stikala C. V položaju C dleto ni blokirano.
- Za klesanje stisnite gumb (E) na preklopnem stikalu (5) in hkrati potisnite preklopno stikalo (5) in v položaj stikala D. V položaju D je dleto blokirano.

⚠ Pozor!

Za udarno vrтанje potrebujete majhno pritisno silo. Prevelika sila pritiskanja po nepotrebnem obremenjuje motor. Redno preverjajte stanje svedra. Tope svedre nabrusite ali zamenjajte.

9. Menjava priključka za omrežje

Če se priključek za omrežje te naprave poškoduje, ga mora zamenjati izdelovalec, izdelovalčev servis za stranke ali druga ustrezno usposobljena oseba, da ne pride do nevarnih situacij.

10. Čiščenje, vzdrževanje in naročanje nadomestnih delov

⚠ Pozor!

Pred izvajanjem vsakega čistilnega dela izvlecite električni priključni kabel.

10.1 Čiščenje

- Zaščitno opremo, zračne reže in ohišje motorja vzdržujte kar se le da v stanju brez prisotnosti prahu in umazanije. Napravo obrišite s suho krpo ali s komprimiranim zrakom pod nizkim pritiskom.
- Priporočamo, da napravo očistite neposredno po vsakem končanem delu.
- Redno čistite napravo z vlažno krpo in nekaj milnice. Ne uporabljajte nobenih čistilnih ali razredčilnih sredstev; le-ta lahko poškodujejo plastične dele naprave. Pazite na to, da ne pride voda v notranjost naprave.

10.2 Ogljikove ščetke

Če nastaja preveč isker ali če zasveti prikaz za obrabo ogljikovih ščetk (12), naj ogljikove ščetke preveri električar.

10.3 Vzdrževanje

V notranjosti naprave ni nobenih delov, ki bi jih bilo potrebno vzdrževati.

10.4 Naročanje nadomestnih delov:

Pri naročanju nadomestnih delov je potrebno navesti naslednje navedbe:

- Tip naprave
- Art. številko naprave
- Ident- številko naprave

Aktualne cene in informacije najdete na spletni strani www.isc-gmbh.info

11. Odstranjevanje in ponovna uporaba

Naprava se nahaja v embalaži, da ne bi prišlo do poškodb med transportom. Ta embalaža je surovina in s tem ponovno uporabna ali pa jo je možno reciklirati. Naprava in njen pribor sta izdelana iz različnih materialov kot npr. kovine in plastika. Pokvarjene sestavne dele odstranite med posebne odpadke. V ta namen povprašajte v tehnični trgovini ali na občinski upravi!



Samo za dežele EU

Električnega orodja ne mečite med gospodinjske odpadke!

V skladu z evropsko smernico 2002/96/EG o starih električnih in elektronskih napravah in v skladu z izvajanjem nacionalne zakonodaje morate ločeno zbirati izrabljena električna orodja in jih predati v okoljsko varno ponovno predelavo.

Reciklažna alternativa za poziv za vračanje: Lastnik električne naprave je alternativno zavezan, da namesto vračanja sodeluje pri strokovno ustreznem recikliranju v primeru predaje lastnine. Staro napravo se lahko v ta namen tudi prepusti na odvzemnem mestu, ki izvaja odstranjevanje v smislu nacionalne zakonodaje o odstranjevanju takšnih odpadkov. To se ne nanaša na starim napravam priložene dele pribora in opreme brez električnih komponent.

SI

12. Izjava o skladnosti

Einhell Germany AG · Wiesenweg 22 · D-94405 Landau/Isar



Konformitätserklärung

- erklärt folgende Konformität gemäß EU-Richtlinie und Normen für Artikel
 explains the following conformity according to EU directives and norms for the following product
 déclare la conformité suivante selon la directive CE et les normes concernant l'article
 dichiara la seguente conformità secondo la direttiva UE e le norme per l'articolo
 verklaart de volgende overeenstemming conform EU richtlijn en normen voor het product
 declara la siguiente conformidad a tenor de la directiva y normas de la UE para el artículo
 declara a seguinte conformidade, de acordo com a directiva CE e normas para o artigo
 attesterer følgende overensstemmelse i medfør af EU-direktiv samt standarder for artikel
 förklarar följande överensstämmelse enl. EU-direktiv och standarder för artikeln
 vakuuttaa, että tuote täyttää EU-direktiivin ja standardien vaatimukset
 töendab toote vastavust EL direktiivile ja standarditele
 vydává následující prohlášení o shodě podle směrnice EU a norem pro výrobek
 potrjuje sledeću skladnost s smernico EU in standardi za izdelek
 vydáva nasledujúce prehlásenie o zhode podľa smernice EÚ a noriem pre výrobok
 a cikkekhez az EU-irányvonal és Normák szerint a következő konformitást jelenti ki
 deklaruje zgodność wymienionego poniżej artykułu z następującymi normami na podstawie dyrektywy WE.
 декларира съответното съответствие съгласно Директива на ЕС и норми за артикул
 paskaidro šādu atbilstību ES direktīvai un standartiem
 apibūdina šj atitikimą EU reikalavimams ir prekės normoms
 declară următoarea conformitate conform directivei UE și normelor pentru articolul
 δηλώνει την ακόλουθη συμμόρφωση σύμφωνα με την Οδηγία ΕΚ και τα πρότυπα για το προϊόν
 potvrđuje sljedeću usklađenost prema smjernicama EU i normama za artikl
 Izjava o skladnosti za ovaj proizvod dostupna je na internet stranici www.lidl.hr.
 potvrđuje sljedeću usklađenost prema smjernicama EU i normama za artikl
 potvrđuje sledeću usklađenost prema smernicama EZ i normama za artikal
 следующим удостоверяется, что следующие продукты соответствуют директивам и нормам ЕС
 проголошує про зазначену нижче відповідність виробу директивам та стандартам ЄС на виріб
 Ürünü ile ilgili AB direktifleri ve normları gereğince aşağıda açıklanan uygunluğu belirtir
 erklærer følgende samsvar i henhold til EU-direktivet og standarder for artikkel
 Lýsir uppfyllingu EU-reglna og annarra staða vöru

Bohrhammer PBH 1100 A1 (Parkside)

- | | |
|---|--|
| <input type="checkbox"/> 87/404/EC_2009/105/EC | <input checked="" type="checkbox"/> 2006/42/EC |
| <input type="checkbox"/> 2005/32/EC_2009/125/EC | <input type="checkbox"/> Annex IV
Notified Body:
Notified Body No.:
Reg. No.: |
| <input type="checkbox"/> 2006/95/EC | |
| <input type="checkbox"/> 2006/28/EC | |
| <input checked="" type="checkbox"/> 2004/108/EC | <input type="checkbox"/> 2000/14/EC_2005/88/EC |
| <input type="checkbox"/> 2004/22/EC | <input type="checkbox"/> Annex V |
| <input type="checkbox"/> 1999/5/EC | <input type="checkbox"/> Annex VI
Noise: measured L_{WA} = dB (A); guaranteed L_{WA} = dB (A)
P = KW; L/Ø = cm
Notified Body: |
| <input type="checkbox"/> 97/23/EC | |
| <input type="checkbox"/> 90/396/EC_2009/142/EC | |
| <input type="checkbox"/> 89/686/EC_96/58/EC | <input type="checkbox"/> 2004/26/EC
Emission No.: |
| <input checked="" type="checkbox"/> 2011/65/EC | |

Standard references: EN 60745-1; EN 60745-2-6; EN 55014-1;
EN 55014-2; EN 61000-3-2; EN 61000-3-3

Landau/Isar, den 21.09.2011

Weichselgartner/General Manager

Unger/Product-Management

First CE: 08
Art.-No.: 42.583.76 I.-No.: 11031
Subject to change without notice

Archive-File/Record: NAPR004729
Documents registrar: Georg Riedel
Wiesenweg 22, D-94405 Landau/Isar

13. GARANCIJSKA LISTINA

Spoštovana stranka!

Naši proizvodi podležejo strogi kontroli kakovosti. Če ta naprava kljub temu ne bi delovala brezhibno, to zelo obžalujemo in Vas prosimo, da se obrnete na našo servisno službo na naslov, ki je naveden spodaj na tem garancijskem listu. Z veseljem smo Vam na voljo tudi telefonsko na navedeno servisno klicno številko. Za uveljavljanje garancijskih zahtevkov velja sledeče:

1. Le-ti garancijski pogoji urejajo dodatne garancijske storitve. Vaši zakonski garancijski zahtevki ostanejo s to garancijo nespremenjeni. Naše garancijske storitve so za Vas brezplačne.
 2. Garancijske storitve obsegajo izključno samo pomanjkljivosti zaradi napak v materialih in izdelavi in so omejene na odpravo takšnih pomanjkljivosti oziroma na zamenjavo naprave. Prosimo, da upoštevate, da naše naprave niso konstruirane za uporabo v obrtništvu ali industriji. Garancijska pogodba zato ne pride v poštev, če se naprava uporablja v obrtništvu ali v industrijskih obratih ali v podobnih dejavnostih. Poleg tega ne obsega naša garancija nadomestil za transportne poškodbe, škodo zaradi neupoštevanja navodil za montažo ali zaradi nestrokovne inštalacije, neupoštevanja navodil za uporabo (kot n. pr. priklop na napačno omrežno napetost ali vrsto toka), pretirana ali nepravilna uporaba (kot n. pr. preobremenitev naprave ali uporaba nedovoljenih orodij ali pribora), neupoštevanje predpisov za vzdrževanje in varnostnih predpisov, vstop tujih predmetov v napravo (kot n. pr. pesek, kamenje ali prah), uporaba sile ali tuji vplivi (kot n. pr. poškodbe zaradi padca naprave) ter običajna obraba naprave zaradi uporabe. To velja še posebej za akumulatorje, za katere vendarle dajemo garancijski rok 12 mesecev.
- Veljavnost garancijskih zahtevkov ugasne, če so bili na npravi že izvajani posegi.
3. Garancijska doba znaša 3 leti in začne teči z dnevom nakupa naprave. Garancijske zahtevke morate uveljavljati pred potekom garancijske dobe v sveh tednih potem ko ste ugotovili napako. Uveljavljanje garancijskih zahtevkov po poteku garancijske dobe je izključeno. Popravilo ali zamenjava naprave ne privede do podaljšanja garancijske dobe, niti se ne postavi nova garancijska doba zaradi takšnih storitev ali zaradi eventualno vgrajenih nadomestnih delov. To velja tudi za servisne storitve na licu mesta.
 4. Za uveljavljanje Vašega garancijskega zahtevka nam pošljite pokvarjeno napravo brez poštnine na spodaj navedeni naslov. Priložite original računa ob nakupu ali drugo potrdilo kot dokazilo o nakupu z datumom nakupa. Zato prosimo, da dobro shranite račun kot dokazilo o nakupu! Prosimo, da nam po možnosti natančno opišete vzroke reklamacije. Če napaka izpolnjuje naše garancijske pogoje, boste nemudoma dobili nazaj popravljeno ali novo napravo.

Seveda bomo proti plačilu stroškov odpravili tudi napake na napravi, katere ne spadajo v obseg garancije ali jih garancija več ne zajema. V takšnem primeru prosimo, da pošljete napravo na naslov naše servisne službe.

GMA-Elektromechanika d.o.o
Cesta Andreja Bitenca 115
SLO 1000 Ljubljana
Tel 01/5838304 · Fax 01/5183803

CZ

Obsah	Strana
1. Úvod	46
2. Bezpečnostní pokyny	46-48
3. Popis přístroje	49
4. Rozsah dodávky	49
5. Použití podle účelu určení	49
6. Technická data	49-50
7. Před uvedením do provozu	50-51
8. Uvedení do provozu	51-52
9. Výměna síťového napájecího vedení	52
10. Čištění, údržba a objednání náhradních dílů	53
11. Likvidace a recyklace	53
12. Prohlášení o shodě	54
13. Záruční list	55

Dotisk nebo jiné rozmnožování dokumentace a průvodních dokumentů výrobků, také pouze výňatků, je přípustné výhradně se souhlasem firmy ISC GmbH.

44

Technické změny vyhrazeny

Dodatečné pokyny



„Varování – Ke snížení rizika zranění si přečíst návod k obsluze“



Noste ochranu sluchu.

Působení hluku může způsobit ztrátu sluchu.



Noste ochrannou prachovou masku.

Při opracovávání dřeva a jiných materiálů může vznikat zdraví škodlivý prach. Materiály obsahující azbest nesmí být opracovávány!



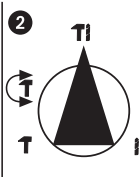
Noste ochranné brýle.

Při práci vznikající jiskry nebo z přístroje vylétávající úlomky, třísky a prachy mohou způsobit ztrátu zraku.

1



2



Aby se zabránilo poškození přístroje, musí se přepínání mezi jednotlivými funkcemi provádět pouze ve vypnutém stavu.

CZ

1. Úvod

⚠ Pozor!

Při používání přístrojů musí být dodržována určitá bezpečnostní opatření, aby se zabránilo zraněním a škodám. Přečtěte si proto pečlivě tento návod k obsluze. Dobře si ho uložte, abyste měli tyto informace kdykoliv po ruce. Pokud předáte přístroj jiným osobám, předejte s ním i tento návod k obsluze.

Nepřebíráme žádné ručení za škody a úrazy vzniklé v důsledku nedodržování tohoto návodu k obsluze a bezpečnostních pokynů.

2. Bezpečnostní pokyny

⚠ VAROVÁNÍ!

Přečtěte si všechny bezpečnostní pokyny a instrukce.

Zanedbání při dodržování bezpečnostních pokynů a instrukcí mohou mít za následek úder elektrickým proudem, požár a/nebo těžká zranění.

Všechny bezpečnostní pokyny a instrukce si uložte pro budoucí použití.

V bezpečnostních pokynech používaný pojem „elektrické nářadí“ se vztahuje na elektrické nářadí napájené ze sítě (se síťovým kabelem) a na elektrické nářadí poháněné akumulátorem (bez síťového kabelu).

1. Bezpečnost pracoviště

- **Udržujte Vaše pracoviště čisté a dobře osvětlené.** Nepořádek nebo neosvětlené pracoviště může vést ke zraněním.
- **Nepracujte s tímto přístrojem v oblasti ohrožené výbuchem, ve které se nacházejí hořlavé kapaliny, plyny nebo prachy.** Elektrické nářadí produkuje jiskry, které mohou prach nebo páry zapálit.
- **Během používání elektrického nářadí nepouštějte děti a jiné osoby do blízkosti pracoviště.** Při rozptýlení byste mohli ztratit kontrolu nad přístrojem.

2. ELEKTRICKÁ BEZPEČNOST

- **Zástrčka přístroje musí být pro zásuvku vhodná. Zástrčka nesmí být v žádném případě pozměňována. Nepoužívejte žádné adaptéry zástrček společně s přístroji s ochranným uzemněním.** Nepozměňované zástrčky a vhodné zásuvky snižují riziko úderu elektrickým proudem.
- **Vyhýbejte se tělesnému kontaktu s uzemněnými částmi, jako např. rourami, topnými tělesy, sporáky, ledničkami.** Pokud je Vaše tělo uzemněno, existuje zvýšené riziko úderu elektrickým proudem.
- **Chraňte přístroj před deštěm nebo vlhkostí.** Vniknutí vody do elektrického přístroje zvyšuje riziko úderu elektrickým proudem.
- **Nepoužívejte kabel na účely, pro které není určen, jako např. na nošení nebo zavěšení přístroje nebo na vytažení zástrčky ze zásuvky. Chraňte kabel před horkem, olejem, ostrými hranami nebo pohyblivými částmi přístroje.** Poškozené nebo zamotané kabely zvyšují riziko úderu elektrickým proudem.
- **Při práci na volném prostranství používejte pouze pro to schválené prodlužovací kabely.** Používání prodlužovacího kabelu schváleného pro venkovní použití snižuje riziko úderu elektrickým proudem.
- **Nelze-li se vyhnout provozu elektrického nářadí ve vlhkém prostředí, používejte ochranný vypínač proti chybnému proudu.** Použití ochranného vypínače proti chybnému proudu snižuje riziko úderu elektrickým proudem.

3. BEZPEČNOST OSOB

- **Buďte pozorní, dbejte na to, co děláte, při práci s elektrickým nářadím pracujte rozumně. Nepoužívejte nářadí pokud jste unaveni nebo pod vlivem drog, alkoholu nebo léků.** Moment nepozornosti může při používání elektrického nářadí vést k vážným zraněním.
- **Noste osobní ochranné vybavení a vždy ochranné brýle.**

Nošení osobního ochranného vybavení, jako je prachová maska, neklouzavá bezpečnostní obuv, ochranná přilba nebo ochrana sluchu, podle druhu a použití elektrického nářadí, snižuje riziko zranění.

- **Vyhýbejte se nezamýšlenému spuštění. Přesvědčte se, že je elektrické nářadí vypnuté, než ho připojíte na síť a/nebo akumulátor, uchopíte ho nebo ho ponese.**

Pokud máte při nošení přístroje prst na vypínači nebo připojíte přístroj v zapnutém stavu na zásobování proudem, může to vést k úrazům.

- **Než přístroj zapnete odstraňte nastavovací nástroje nebo klíče na šrouby a matice.**
Nářadí nebo klíč, který se nalézá v otáčející se části přístroje, může vést ke zraněním.
- **Vyhýbejte se abnormálnímu držení těla. Zajistěte bezpečný postoj a udržujte vždy rovnováhu.**

Tím můžete přístroj v neočekávaných situacích lépe kontrolovat.

- **Noste vhodné pracovní oblečení. Nenoste široké oblečení a šperky. Nedávejte vlasy, oděv a rukavice do blízkosti pohybujících se částí.**
Volný oděv, šperky nebo dlouhé vlasy mohou být pohybujícími se částmi zachyceny.
- **Pokud mohou být namontována zařízení na odsávání a zachytávání prachu, přesvědčte se, zda jsou tato připojena a správně používána.**
Používání odsávání prachu může snížit riziko ohrožení prachem.

4. Použití a ošetřování elektrického nářadí

- **Nářadí nepřetěžujte. Používejte pro práci určené elektrické nářadí.**
Lépe a bezpečněji se s elektrickým nářadím pracuje v udaném rozsahu výkonu.
- **Nepoužívejte elektrické nářadí s defektním vypínačem.**
Elektrické nářadí, které se nenechá za- a vypnout je nebezpečné a musí být opraveno.
- **Vytáhněte zástrčku ze zásuvky a/nebo**

odstraňte akumulátor ještě před tím, než začnete provádět nastavení přístroje, vyměňovat části příslušenství nebo přístroj odložíte.

Tato bezpečnostní opatření zabraňují neúmyslnému spuštění přístroje.

- **Nepoužívané elektrické nářadí skladujte mimo dosah dětí. Nedovolte používat přístroj osobám, které nejsou s přístrojem obeznámeny nebo nečetly tyto pokyny.**
Elektrické nářadí je nebezpečné, pokud je používáno nezkušenými osobami.
- **Přístroj pečlivě ošetřujte. Překontrolujte, zda je v pořádku bezvadná funkce pohyblivých částí, jestli neuvázly nebo jestli nejsou části zlomené, nebo tak poškozené, že by omezovaly funkci přístroje. Poškozené části nechte před použitím přístroje opravit.**
Příčina mnoha úrazů tkví ve špatné údržbě elektrického nářadí.
- **Udržujte řezné nástroje ostré a čisté.**
Řádně udržované řezné nástroje s ostrými hranami méně vážnou a nechají se lépe vodit.
- **Používejte elektrické nářadí, příslušenství, přídatné přístroje atd. příslušně podle těchto pokynů. Zohledněte přitom pracovní podmínky a prováděnou činnost.**
Při používání elektrického nářadí pro jiné účely, než pro jaké je určeno, může dojít k nebezpečným situacím.

5. SERVIS

- **Přístroj nechte opravit pouze kvalifikovaným odborným personálem a pouze za použití originálních náhradních dílů.**
Tím je zabezpečeno, že zůstane bezpečnost přístroje zachována.

Bezpečnostní pokyny pro kladiva

- **Noste ochranu sluchu.** Působení hluku může způsobit ztrátu sluchu.
- **Používejte přídavné rukojeti dodané s přístrojem.** Ztráta kontroly může vést ke zraněním.
- **Když provádíte práce, při kterých by mohl přídavný nástroj narazit na skrytá vedení elektrického proudu nebo na vlastní síťový kabel, držte přístroj za izolované části rukojetí.** Kontakt s vedeními pod napětím může uvést pod napětí také kovové díly přístroje a vést k úderu elektrickým proudem.

Speciální bezpečnostní pokyny

- Překontrolujte napětí udané na typovém štítku (volty).
- Při použití kabelového bubnu kabel zcela odrolovat. Průřez drátu min 1,5 mm².
- Dbejte na bezpečné stání na žebřících nebo lešeních při vrtání volně z ruky.
- Ve zdech, ve kterých je neviditelně zabudované vedení proudu, vody nebo plynu nejdříve lokalizovat vedení přístrojem na hledání vedení. Vyvarovat se doteku vodivých částí nebo vodičů pod proudem.
- K ochraně uší noste ochranu sluchu: plíživá ztráta sluchu!
- Noste ochranné brýle, a při pracích při kterých vzniká prach používejte prachovou masku.
- Nepoužívat v blízkosti par nebo hořlavých kapalin.
- Při všech přestavovacích a čistících pracích vytáhněte zástrčku ze zásuvky.
- Chraňte síťové vedení před poškozením. Olej a kyseliny mohou vedení poškodit.
- Stroj nepřetěžovat.
- **Důležité!**
Musí být dodržovány všechny národní bezpečnostní předpisy co se týče instalace, provozu a údržby.
- Sekáče a vrtáky mohou být nedopatřením ze stroje vymrštěny a způsobit těžká zranění:
 - Před prací vždy překontrolovat, jestli je sekáč nebo vrták pevně zajištěn v držáku nástroje.
 - Pravidelně kontrolovat, není-li držák

nástroje opotřebený nebo poškozen.

- Nářadí pro nárazové vrtání nastartovat jedině tehdy, když je tlačeno proti obrobku (zeď, strop atd.).
- Po ukončení práce vrtací kladivo odpojit od sítě a sekáč nebo vrták z nářadí vyndat.
- Před výměnou sekáče nebo vrtáku vrtací kladivo vždy odpojit od sítě.
- Chraňte oči a spolupracovníky před odlétávajícími částicemi a oprýskávajícími cizími tělesy. Nosit ochrannou přilbu! Postavit dělící stěny!
- Pracovní rukavice chrání před odřeninami kůže.
- Vibrace mohou být škodlivé pro ruce a paže: je třeba dodržovat minimální možnou dobu působení vibrací.
- Síťový kabel vést vždy směrem dozadu od přístroje.
- Uschovávejte přístroj tak, aby nebyl přístupný dětem.
- Při práci držet přístroj vždy oběma rukama a dbát na bezpečný postoj.
- Před uvedením do provozu je třeba dbát na to, aby byla na přístroji nastavena správná poloha spínače pro prováděné opracování, protože jinak hrozí nebezpečné zranění při náběhu stroje.

Dobře si bezpečnostní pokyny uschovejte.

3. Popis přístroje (obr. 1)

1. Ochrana proti prachu
2. Upínací hlava
3. Přídavná rukojeť
4. Zajišťovací šroub pro hloubkový doraz
5. Přepínač vrtání/vrtání s příklepem/sekání
6. Rukojeť
7. Přepínač pravý/levý chod
8. Zajišťovací knoflík
9. Regulátor otáček
10. Za-/vypínač
11. Indikace provozu
12. Indikace opotřebení uhlíkových kartáčků
13. Hloubkový doraz
14. Dodatečné rychloupínací sklíčidlo
15. Zařízení na zachycení prachu

4. Rozsah dodávky

Všechny díly z balení vyjměte a zkontrolujte jejich úplnost.

- Vrtací kladivo PBH 1100 A1
- Přídavná rukojeť
- Hloubkový doraz
- Vrtáky do kamene (6, 8, 10 mm)
- Důlčík - plochý sekáč
- Dodatečné rychloupínací sklíčidlo
- Zařízení na zachycení prachu
- Návod k obsluze


5. Použití podle účelu určení

Přístroj je určen k vrtání do betonu, kameniva a cihel a k sekání za použití příslušného vrtáku nebo dláta.

Stroj smí být používán pouze podle svého účelu určení. Každé další toto překračující použití neodpovídá použití podle účelu určení. Za z toho vyplývající škody nebo zranění všeho druhu ručí uživatel/obsluhující osoba a ne výrobce.

Dbejte prosím na to, že naše přístroje nebyly podle svého účelu určení konstruovány pro živnostenské, řemeslnické nebo průmyslové použití. Nepřebíráme žádné ručení, pokud je přístroj používán v živnostenských, řemeslných nebo průmyslových podnicích a při srovnatelných činnostech.

6. Technická data

Síťové napětí:	230-240 V~ 50 Hz
Příkon:	1050 W
Otáčky chodu naprázdno:	0-1100 min ⁻¹
Počet úderů:	0-5100 min ⁻¹
Výkon vrtání beton/kámen (max.):	Ø 26 mm
Třída ochrany:	II / 
Hmotnost:	3,6 kg

Hluk a vibrace

Hluk a vibrace změřeny podle normy EN 60745.

Hladina akustického tlaku L _{pA}	91,8 dB(A)
Nejistota K _{pA}	3 dB
Hladina akustického výkonu L _{WA}	102,8 dB(A)
Nejistota K _{WA}	3 dB

Vrtací kladivo není určeno k použití venku, v souladu s článkem 3 směrnice 2000/14/EC_2005/88/EC.

Noste ochranu sluchu.

Působení hluku může způsobit ztrátu sluchu.

Hodnoty celkových vibrací (vektorový součet tří směrů) změřeny podle normy EN 60745.

Příklepové vrtání do betonu

Emisní hodnota vibrací a_h = 15,81 m/s²

Nejistota K = 1,5 m/s²

CZ**Sekání**Emisní hodnota vibrací $a_h = 15,668 \text{ m/s}^2$ Nejistota $K = 1,5 \text{ m/s}^2$ **Varování!**

Uvedená emisní hodnota vibrací byla změřena podle normované zkušební metody a může se měnit v závislosti na druhu a způsobu použití elektrického přístroje, a ve výjimečných případech se může nacházet nad uvedenou hodnotou.

Uvedená emisní hodnota vibrací může být použita ke srovnání jednoho elektrického přístroje s jinými přístroji.

Uvedená emisní hodnota vibrací může být také použita k úvodnímu posouzení negativních vlivů.

Omezte tvorbu hluku a vibrace na minimum!

- Používejte pouze přístroje v bezvadném stavu.
- Pravidelně provádějte údržbu a čištění přístroje.
- Přizpůsobte Váš způsob práce přístroji.
- Nepřetěžujte přístroj.
- V případě potřeby nechte přístroj zkontrolovat.
- Přístroj vypněte, pokud ho nepoužíváte.
- Noste rukavice.

7. Před uvedením do provozu**⚠ Pozor!**

Před připojením se přesvědčte, zda údaje na typovém štítku souhlasí s údaji sítě.

Předtím, než začnete provádět nastavování na přístroji, vždy vytáhněte síťovou zástrčku ze zásuvky.

Místo použití zkontrolujte pomocí přístroje na hledání vedení, zda se tam nenachází skrytá elektrická vedení, plynové nebo vodovodní potrubí.

7.1 Přídavná rukojeť (obr. 2 - pol. 3)**Vrtací kladivo používat z bezpečnostních důvodů pouze s přídavnou rukojetí.**

Přídavná rukojeť (3) Vám během používání přístroje poskytuje dodatečnou stabilitu. Přístroj proto nikdy nepoužívejte bez přídavné rukojeti (3). Přídavná rukojeť (3) se na přístroji upevní pomocí mechanického upevnění. Otáčením přídavné rukojeti (3) ve směru hodinových ručiček je mechanické upevnění utahováno. Otáčením proti směru hodinových ručiček je mechanické upevnění povolováno.

- Přiložená přídavná rukojeť (3) musí být nejdříve namontována. K tomu otáčením přídavné rukojeti (3) mechanické upevnění dostatečně povolit, aby mohla být přídavná rukojeť (3) nasunuta na přístroj.
- Po nasunutí přídavné rukojeti (3) ji natočte do Vám nejvíce vyhovující pracovní polohy.
- Nyní přídavnou rukojeť (3) v opačném směru otáčení opět utáhnout, až přídavná rukojeť (3) pevně sedí.
- Přídavná rukojeť (3) je vhodná jak pro praváky, tak leváky.

7.2 Hloubkový doraz (obr. 3 - pol. 13)

Hloubkový doraz (13) je upevněn zajišťovacím šroubem (4) na přídavné rukojeti (3) pomocí mechanického upevnění.

- Uvolněte zajišťovací šroub (4) a vložte hloubkový doraz (13).
- Nastavte hloubkový doraz (13) na stejnou úroveň s vrtákem.
- Posuňte hloubkový doraz (13) zpět na požadovanou hloubku vrtání.
- Zajišťovací šroub (4) opět utáhněte.
- Nyní vrtejte otvor tak dalece, až se hloubkový doraz (13) dotkne obrobku.
- Hloubkový doraz (13) je vybaven rastrováním, které při používání zabraňuje posouvání hloubkového dorazu (13).

7.3 Vložení nástroje (obr. 4)

- Nástroj před vložením vyčistěte a dřík nástroje lehce namažte mazacím tukem pro vrtáky.
- Upínací hlavu (2) posunout směrem zpět a pevně držet.
- Čistý nástroj zasuňte otáčením až na doraz do upínání nástroje. Nástroj se sám zablokuje poté, co se pustí upínací hlava.
- Blokování zkontrolujte zatáhnutím za nástroj.

7.4 Vyjmutí nástroje (obr. 5)

Upínací hlavu (2) posunout směrem zpět, pevně držet a nástroj vyjmout.

7.5 Zařízení na zachycení prachu (obr. 8)

Před pracemi vrtacím kladivem nasuňte zařízení na zachycení prachu (15) přes vrták svisle nad hlavu přístroje.

7.6 Nasazení dodatečného rychloupínacího sklíčidla (obr. 4)

- Rychloupínací sklíčidlo (14) před nasazením vyčistěte a dřík rychloupínacího sklíčidla lehce namažte mazacím tukem pro vrtáky.
- Upínací hlavu (2) posunout dozadu a pevně držet.
- Čisté rychloupínací sklíčidlo (14) zasuňte otáčením až na doraz do upínání nástroje. Rychloupínací sklíčidlo (14) se samo zablokuje poté, co se pustí upínací hlava.
- Blokování zkontrolujte zatáhnutím za rychloupínací sklíčidlo (14).

7.7 Vyjmutí dodatečného rychloupínacího sklíčidla (obr. 5)

Upínací hlavu (2) posunout dozadu, pevně držet a rychloupínací sklíčidlo vyjmout.

7.8 Nasazení vrtáku do rychloupínacího sklíčidla (obr. 6-7)

⚠ Pozor!

- Než začnete na přístroji provádět nastavení, vždy vytáhněte síťovou zástrčku ze zásuvky.
- Hloubkový doraz (13) povolit podle popisu v bodě 7.2 a posunout ho ve směru rukojeti vrtačky. Tím je získán volný přístup ke

sklíčidlu (14).

- Otáčením otevřete sklíčidlo (14). Otvor na vrták musí být dostatečně velký, aby bylo možné vrták upnout.
- Zvolte vhodný vrták. Zastrčte nástroj do otvoru sklíčidla tak dalece, jak je to možné.
- Otáčením zavřete sklíčidlo (14). Zkontrolujte, zda vrták ve sklíčidle (14) pevně drží.
- V pravidelných odstupech kontrolujte pevné usazení vrtáku resp. nástroje (vytáhnout síťovou zástrčku!).

8. Uvedení do provozu

⚠ Pozor!

Aby se zabránilo ohrožení, musí se přístroj držet vždy pouze za obě rukojeti (3/6)! V opačném případě může při navrtání vedení hrozit úder elektrickým proudem!

8.1 Indikace provozu (obr. 1/pol. 11)

Indikace provozu (11) svítí, pokud je zapojená síťová zástrčka.

8.2 Za-/vypínač (obr. 9/pol. 10)

- Nejdříve do přístroje nasadte vhodný vrták (viz 7.3).
- Zastrčte síťovou zástrčku do vhodné zásuvky.
- Nasadte vrtačku přímo na vrtané místo.

Zapnutí:

Za-/vypínač (10) stisknout.

Vypnutí:

Pustit za-/vypínač (10).

Zapnutí trvalého provozu:

Za-/vypínač (10) zajistit zajišťovacím knoflíkem (8). Pozor! Aretace je možná pouze v pravém chodu.

Vypnutí trvalého provozu:

Za-/vypínač (10) krátce stisknout.

CZ**8.3 Nastavení počtu otáček (obr. 9/pol. 10)**

- Počet otáček můžete během provozu plynule regulovat.
- Silnějším či slabším tisknutím za-/vypínače (10) volíte počet otáček.
- Volba správného počtu otáček: Nejvhodnější počet otáček závisí na obrobku, druhu režimu a použitém vrtáku.
- Malý tlak na za-/vypínač (10): nízký počet otáček
- Větší tlak na za-/vypínač (10): vyšší počet otáček

Tip: Navrtávejte díry s malým počtem otáček. Poté krok za krokem počet otáček zvyšujte.

Přednosti:

- Vrták lze při navrtávání lépe kontrolovat a neskouzne.
- Zabráníte roztržiténým vyvrtaným dírám (např. u dlaždiček).

8.4 Předvolba počtu otáček (obr. 9/pol.9)

- Neprovádějte nastavení během vrtání.
- Nastavovací kroužek počtu otáček (9) Vám umožňuje vymezit maximální počet otáček. Za-/vypínač (10) může být stlačen pouze do uvedené hodnoty počtu otáček.
- Nastavte počet otáček pomocí nastavovacího kroužku (9) na za-/vypínači (10).

8.5 Přepínač pravý/levý chod (obr. 9/pol. 7)

- **Přepínat pouze ve vypnutém stavu!**
- Pomocí přepínače pravý/levý chod (7) nastavte směr chodu příklepové vrtačky:

Směr chodu

Pravý chod (vpřed a vrtání)

Poloha spínače

Stlačen doleva

Levý chod (zpětný chod)

Stlačen doprava

8.6 Přepínač vrtání/vrtání s příklepem/sekání (obr. 10)

Pozor! Je-li namontováno dodatečné rychloupínací sklíčidlo (14), nejsou k dispozici funkce vrtání s příklepem/sekání.

- Na vrtání stisknout knoflík (E) na přepínači (5) a současně otočit přepínač (5) do polohy A.
- Na vrtání s příklepem stisknout knoflík (E) na přepínači (5) a současně otočit přepínač (5) do polohy B.
- Na sekání stisknout knoflík (E) na přepínači (5) a současně otočit přepínač (5) do polohy C. V poloze C není sekáč zaaretován.
- Na sekání stisknout knoflík (E) na přepínači (5) a současně otočit přepínač (5) do polohy D. V poloze D je sekáč zaaretován.

Pozor!

Na vrtání s příklepem potřebujete pouze malou přítlačnou sílu. Příliš velký přítlačný tlak zbytečně zatěžuje motor. Pravidelně kontrolovat vrták. Tupé vrtáky nabrousit nebo vyměnit.

9. Výměna síťového napájecího vedení

Pokud je síťové napájecí vedení poškozeno, musí být nahrazeno výrobcem nebo jeho zákaznickým servisem nebo kvalifikovanou osobou, aby se zabránilo nebezpečím.

10. Čištění, údržba a objednání náhradních dílů

⚠ Pozor!

Před všemi čistícími pracemi vytáhněte síťovou zástrčku.

10.1 Čištění

- Udržujte bezpečnostní zařízení, větrací otvory a kryt motoru tak prostě prachu a nečistot, jak jen to je možné. Otřete přístroj čistým hadrem nebo ho profoukněte stlačeným vzduchem při nízkém tlaku.
- Doporučujeme přímo po každém použití přístroj vyčistit.
- Pravidelně přístroj čistěte vlhkým hadrem a trochou mazlavého mýdla. Nepoužívejte žádné čistící prostředky nebo rozpouštědla, mohlo by dojít k poškození plastových částí přístroje. Dbejte na to, aby se dovnitř přístroje nedostala voda.

10.2 Uhlíkové kartáčky

Při nadměrné tvorbě jisker nebo rozsvícení indikace opotřebených uhlíkových kartáčků (12) nechte uhlíkové kartáčky zkontrolovat odborným elektrikářem.

10.3 Údržba

Uvnitř přístroje se nevyskytují žádné další, údržbu vyžadující, díly.

10.4 Objednání náhradních dílů:

Při objednávce náhradních dílů je třeba uvést následující údaje:

- Typ přístroje
- Číslo výrobku přístroje
- Identifikační číslo přístroje

Aktuální ceny a informace naleznete na www.isc-gmbh.info

11. Likvidace a recyklace

Přístroj je uložen v balení, aby bylo zabráněno poškození při přepravě. Toto balení je surovina a tím znovu použitelné nebo může být dáno zpět do cirkulace surovin.

Přístroj a jeho příslušenství jsou vyrobeny z rozdílných materiálů, jako např. kov a plasty. Defektní součástky odevzdejte k likvidaci zvláštních odpadů. Zeptejte se v odborné prodejně nebo na místním zastupitelství!



Pouze pro členské země EU

Nedávejte elektrické nářadí do domácího odpadu.

Podle Evropské směrnice 2002/96/EG o starých elektrických a elektronických přístrojích (WEEE) a podle národního práva musí být použité elektrické nářadí odděleně skladováno a odevzdáno k ekologické recyklaci.

Alternativa recyklace k zaslání zpět:

Vlastník elektrického přístroje je alternativně namísto zaslání zpět povinen ke spolupráci při odborné recyklaci v případě, že se rozhodne přístroj zlikvidovat. Starý přístroj může být v tomto případě také odevzdán do sběrný, která provede likvidaci ve smyslu národního zákona o hospodářském koloběhu a zákona o odpadech. Toto neplatí pro ke starým přístrojům přiložené části příslušenství a pomocné prostředky bez elektrických součástí.

CZ

12. Prohlášení o shodě

Einhell Germany AG · Wiesenweg 22 · D-94405 Landau/Isar



Konformitätserklärung

- erklárt folgende Konformität gemäß EU-Richtlinie und Normen für Artikel
 explains the following conformity according to EU directives and norms for the following product
 déclare la conformité suivante selon la directive CE et les normes concernant l'article
 dichiara la seguente conformità secondo la direttiva UE e le norme per l'articolo
 verklaart de volgende overeenstemming conform EU richtlijn en normen voor het product
 declara la siguiente conformidad a tenor de la directiva y normas de la UE para el artículo
 declara a seguinte conformidade, de acordo com a directiva CE e normas para o artigo
 attesterer følgende overensstemmelse i medfør af EU-direktiv samt standarder for artikel
 förklarar följande överensstämmelse enl. EU-direktiv och standarder för artikeln
 vakuuttaa, että tuote täyttää EU-direktiivin ja standardien vaatimukset
 töendab toote vastavust EL direktiivile ja standarditele
 vydává následující prohlášení o shodě podle směrnice EU a norem pro výrobek
 potrjuje sledeću skladnost s smernico EU in standardi za izdelek
 vydáva nasledujúce prehlásenie o zhode podľa smernice EÚ a noriem pre výrobok
 a cikkekhez az EU-irányvonal és Normák szerint a következő konformitást jelenti ki
 deklaruje zgodność wymienionego poniżej artykułu z następującymi normami na podstawie dyrektywy WE.
 декларира съответното съответствие съгласно Директива на ЕС и норми за артикул
 paskaidro šādu atbilstību ES direktīvai un standartiem
 arībūdina šj atitikimā EU reikalavimams ir prekės normoms
 declară următoarea conformitate conform directivei UE și normelor pentru articolul
 δηλώνει την ακόλουθη συμμόρφωση σύμφωνα με την Οδηγία ΕΚ και τα πρότυπα για το προϊόν
 potvrđuje sljedeću usklađenost prema smjernicama EU i normama za artikl
 Izjava o sukladnosti za ovaj proizvod dostupna je na internet stranici www.lidl.hr.
 potvrđuje sljedeću usklađenost prema smjernicama EU i normama za artikl
 potvrđuje sledeću usklađenost prema smernicama EZ i normama za artikal
 следующим удостоверяется, что следующие продукты соответствуют директивам и нормам ЕС
 проголошує про зазначену нижче відповідність виробу директивам та стандартам ЄС на виріб
 Ürünü ile ilgili AB direktifleri ve normları gereğince aşağıda açıklanan uygunluğu belirtir
 erklærer følgende samsvar i henhold til EU-direktivet og standarder for artikkel
 Lýsir uppfyllingu EU-reglna og annarra staða vöru

Bohrhammer PBH 1100 A1 (Parkside)

- 87/404/EC_2009/105/EC
 2005/32/EC_2009/125/EC
 2006/95/EC
 2006/28/EC
 2004/108/EC
 2004/22/EC
 1999/5/EC
 97/23/EC
 90/396/EC_2009/142/EC
 89/686/EC_96/58/EC
 2011/65/EC
 2006/42/EC
 Annex IV
 Notified Body:
 Notified Body No.:
 Reg. No.:
 2000/14/EC_2005/88/EC
 Annex V
 Annex VI
 Noise: measured L_{WA} = dB (A); guaranteed L_{WA} = dB (A)
 P = KW; L/Ø = cm
 Notified Body:
 2004/26/EC
 Emission No.:

Standard references: EN 60745-1; EN 60745-2-6; EN 55014-1;
EN 55014-2; EN 61000-3-2; EN 61000-3-3

Landau/Isar, den 21.09.2011

[Signature]
Weichselgartner/General Manager

[Signature]
Unger/Product-Management

First CE: 08
Art.-No.: 42.583.76 I.-No.: 11031
Subject to change without notice

Archive-File/Record: NAPR004729
Documents registrar: Georg Riedel
Wiesenweg 22, D-94405 Landau/Isar

13. ZÁRUČNÍ LIST

Vážená zákaznice, vážený zákazníku,

naše výrobky podléhají přísné kontrole kvality. Pokud i přesto tento přístroj bezvadně nefunguje, velice toho litujeme a prosíme Vás, abyste se obrátili na náš zákaznický servis, jehož adresa je uvedena na tomto záručním listu. Rádi Vám budeme k dispozici také telefonicky na níže uvedeném servisním čísle. Pro uplatňování nároků na záruku platí následující:

1. Tyto záruční podmínky upravují dodatečný záruční servis. Vašich zákonných nároků na záruku se tato záruka netýká. Náš záruční servis je pro Vás bezplatný.
2. Záruční servis se vztahuje výhradně na nedostatky, které lze odvodit z vad materiálu nebo výrobních vad a je také omezen pouze na odstranění těchto nedostatků, resp. výměnu přístroje. Dbejte prosím na to, že naše přístroje nebyly podle svého účelu určeny konstruovány pro živnostenské, řemeslnické nebo průmyslové použití. Záruční smlouva tak není realizována, pokud byl přístroj používán v živnostenských, řemeslných nebo průmyslových podnicích a při srovnatelných činnostech. Z naší záruky je dále vyloučeno poskytnutí náhrady za dopravní škody, škody způsobené nedodržením montážního návodu nebo z důvodů neodborné instalace, nedodržení návodu k použití (jako např. připojení na chybné síťové napětí nebo druh proudu), nedovoleného nebo neodborného používání (jako např. přetížení přístroje nebo použití neschválených vložných nástrojů nebo příslušenství), nedodržení pokynů pro údržbu a bezpečnostních pokynů, vniknutí cizích těles do přístroje (jako např. písek, kameny nebo prach), použití násilí nebo poškození v důsledku cizích vlivů (jako např. škody způsobené pádem), jakož také běžného opotřebení způsobeného používáním. To platí obzvláště pro akumulátory, na které přesto poskytujeme záruční lhůtu 12 měsíců.

Nárok na záruku zaniká, pokud bylo do přístroje již zasahováno.

3. Záruční doba činí 3 roky a začíná datem koupě přístroje. Nároky na záruku před vypršením záruční doby je třeba uplatňovat během dvou týdnů od zjištění defektu. Uplatňování nároků na záruku po vypršení záruční doby je vyloučeno. Oprava nebo výměna přístroje nevede k prodloužení záruční doby, ani k zahájení nové záruční doby za provedený výkon pro přístroj nebo pro případné zamontované náhradní díly. Toto platí také v případě servisu v místě Vašeho bydliště.
4. Při uplatňování Vašeho nároku na záruku zašlete prosím přístroj bez poštovního na níže uvedenou adresu. Přiložte originál prodejního dokladu nebo jiného datovaného potvrzení o koupi. Pokladní lístek si proto dobře uložte jako důkaz! Popište nám prosím pokud možno přesně důvod reklamace. Je-li defekt přístroje v našem záručním servisu obsažen, obdržíte obratem opravený nebo nový přístroj.

Samozřejmě rádi za úhradu nákladů odstraníme defekty na přístroji, které nespádají nebo již nespádají do rozsahu záruky. K tomu nám přístroj prosím zašlete na naši servisní adresu.

Einhell UNICORE s.r.o.

Holečkova 4

360 17 Karlovy Vary - CZ

Tel.: 00420 353 440 218 · Fax: 00420 359 607 223

SK

Obsah	Strana
1. Úvod	58
2. Bezpečnostné pokyny	58-61
3. Popis prístroja	61
4. Objem dodávky	61
5. Správne použitie prístroja	61
6. Technické údaje	61-62
7. Pred uvedením do prevádzky	62-63
8. Uvedenie do prevádzky	63-64
9. Výmena sieťového prípojného vedenia	64
10. Čistenie, údržba a objednanie náhradných dielov	65
11. Likvidácia a recyklácia	65
12. Prehlásenie o zhode	66
13. Záručný list	67

Kopírovanie alebo iné rozmnožovanie dokumentácie a sprievodných podkladov produktov, a to aj čiastočné, je prípustné len s výslovným povolením spoločnosti ISC GmbH.

56

Technické zmeny vyhradené

Dodatočné pokyny



„Upozornenie - Aby ste znížili riziko poranenia, prečítajte si návod na obsluhu“



Používajte ochranu sluchu.

Pôsobenie hluku môže spôsobiť poškodenie sluchu.



Používajte ochrannú masku proti prachu.

Pri práci s drevom a inými materiálmi môže vznikáť zdraviu škodlivý prach. Materiál obsahujúci azbest nesmie byť spracovávaný!



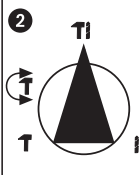
Noste ochranné okuliare.

Iskry vznikajúce pri práci alebo úlomky, triesky aprach vystupujúci z prístroja by mohli viesť k trvalému poškodeniu zraku.

1



2



Aby ste zabránili poškodeniu prístroja, mali by ste prepínať medzi jednotlivými funkciami iba vo vypnutom stave.

SK

1. Úvod

⚠ **Pozor!**

Pri používaní prístrojov sa musia dodržiavať príslušné bezpečnostné opatrenia, aby bolo možné zabrániť prípadným zraneniam a vecným škodám. Preto si starostlivo prečítajte tento návod na obsluhu / bezpečnostné pokyny. Následne ich starostlivo uschovajte, aby ste mali vždy k dispozícii potrebné informácie. V prípade, že budete prístroj požičiavať tretím osobám, prosím odovzdajte im spolu s prístrojom tento návod na obsluhu/ bezpečnostné pokyny. Nepreberáme žiadne ručenie za nehody ani škody, ktoré vzniknú nedodržaním tohto návodu na obsluhu a bezpečnostných pokynov.

2. Bezpečnostné pokyny

⚠ **VÝSTRAHA!**

Prečítajte si všetky bezpečnostné predpisy a pokyny.

Nedostatky pri dodržovaní bezpečnostných predpisov a pokynov môžu mať za následok úraz elektrickým prúdom, vznik požiaru a/alebo ťažké poranenia.

Všetky bezpečnostné predpisy a pokyny si odložte pre budúce použitie.

V bezpečnostných predpisoch uvádzaný pojem „elektrický prístroj“ sa vzťahuje na sieťové elektrické prístroje (so sieťovým elektrickým káblom) a na akumulátorové elektrické prístroje (bez sieťového elektrického kábla).

1. Bezpečnosť pracoviska

- **Udržujte Vaše pracovisko vždy v čistom stave a dobre osvetlené.** Neporiadok alebo neosvetlené pracovné oblasti môžu mať za následok vznik úrazu.
- **Nepoužívajte tento prístroj v prostredí s nebezpečenstvom explózie, kde sa nachádzajú horľavé tekutiny, plyny alebo prach.**
Elektrické nástroje vytvárajú iskry, ktoré by mohli zapáliť prach alebo výpary.

- **Zabráňte prístup deťom a iným cudzím osobám do vašej pracovnej oblasti počas práce s elektrickým nástrojom.**
V prípade, že budete vyrušovaný, môžete stratiť kontrolu nad prístrojom.

2. ELEKTRICKÁ BEZPEČNOSŤ

- **Elektrická zástrčka prístroja musí správne pasovať do zásuvky. Zástrčka sa nesmie v žiadnom prípade prispôsobovať resp. meniť. Nikdy nepoužívajte adaptérovú zástrčku spolu s chránenými uzemnenými prístrojmi.** Nezmenené zástrčky a správne zásuvky znižujú riziko elektrického úrazu.
- **Zabráňte telesnému dotyku s uzemnenými povrchmi, ako napríklad potrubnými rúrami, radiátormi, pecami a chladničkami.**
V prípade, že je vaše telo uzemnené, existuje zvýšené riziko elektrického úderu.
- **Nevystavujte prístroj dažďu ani vlhkému prostrediu.**
Vniknutie vody do elektrického prístroja zvyšuje riziko elektrického úrazu.
- **Nepoužívajte kábel na to, aby ste na ňom nosili zavesený prístroj, vešali prístroj za kábel alebo aby ste ním vyťahovali zástrčku zo zásuvky. Chráňte elektrický kábel pred teplom, olejom ami alebo pred pohyblivými časťami prístroja.**
Poškodené alebo zamotané káble zvyšujú riziko elektrického úrazu.
- **V prípade, že pracujete s použitie vo vonkajšom prostredí.**
Použitie predĺžovacieho kábla určeného pre použitie vo vonkajšom prostredí znižuje riziko elektrického úrazu.
- **Ak nie je možné zabrániť použitiu elektrického prístroja vo vlhkom prostredí, používajte pripojenie cez prúdový chránič.**
Použitie pripojenia s prúdovým chráničom znižuje riziko úrazu elektrickým prúdom.

3. BEZPEČNOSŤ OSÔB

- **Buďte vždy pozorný, dbajte na to, čo práve robíte a postupujte pri práci s elektrickým nástrojom rozumne. Nepoužívajte prístroj v tom prípade, že ste pri práci unavený alebo že ste pod vplyvom drog, alkoholu alebo liekov.**
Jeden moment nepozornosti pri používaní elektrického nástroja môže viesť kážnym poraneniam.
- **Vždy noste osobné ochranné vybavenie a vždy ochranné okuliare.**
Používanie osobného ochranného vybavenia, ako je ochranná maska proti prachu, protišmyková bezpečnostná obuv, ochranná prilba alebo ochrana sluchu, podľa príslušného spôsobu použitia daného elektrického nástroja, znižuje riziko zranenia.
- **Zabráňte samovoľnému uvedeniu do prevádzky. Zabezpečte, aby bol elektrický prístroj vypnutý pred tým, než ho zapojíte na elektrický zdroj a/alebo vložíte akumulátor, ako aj pred zdvíhaním alebo prenášaním prístroja.**
V prípade, že máte pri prenášaní prístroja prsty na vypínači alebo že zapájate prístroj s aktivovaným spínačom do elektrickej siete, môže to viesť k nehodám.
- **Pred zapnutím prístroja odstráňte z neho všetky nastavovacie náradia alebo skrutkovače.**
Náradie alebo kľúč, ktorý by sa nachádzal na rotujúcej časti prístroja, by mohol spôsobiť zranenie.
- **Vystríhajte sa abnormálneho držania tela. Postarajte sa o bezpečný postoj pri práci a dbajte neustále na rovnováhu.**
Len tak môžete prístroj lepšie kontrolovať pri neočakávaných situáciách.
- **Pri práci používajte vhodný odev. Nenoste pri práci s prístrojom voľné oblečenie alebo šperky. Chráňte svoje vlasy, odev a rukavice pred kontaktom s točiacimi sa dielmi prístroja.**
Voľné oblečenie, šperky alebo dlhé vlasy môžu byť zachytené točiacimi sa dielmi prístroja.
- **Keď sa na prístroj môžu namontovať prípravky na odsávanie prachu a na**

zachytávanie prachu, presvedčite sa o tom, že sú tieto prípravky zapojené a že sa správne používajú.
Použitie odsávania prachu môže znížiť ohrozenie prachom.

4. Použitie a zaobchádzanie s elektrickým prístrojom

- **Nepreťažujete váš nástroj. Pre svoju prácu vždy používajte správny elektrický nástroj.**
Práca s vhodným elektrickým nástrojom je dôkladnejšia a bezpečnejšia v rozmedzí uvedeného výkonu prístroja.
- **Nepoužívajte také elektrické nástroje, ktoré majú defektný vypínač.**
Elektrické nástroje, na ktorých nie je možné vypnúť a zapnúť ich vypínač, sú nebezpečné a musia byť opravené.
- **Vytiahnite zástrčku von zo zásuvky a/alebo vyberte von akumulátor predtým, než budete vykonávať nastavenia na prístroji, vymieňať diely príslušenstva alebo ak chcete prístroj odložiť.**
Toto opatrenie zabráni samovoľnému nechcenému zapnutiu prístroja.
- **Nepoužívané elektrické nástroje skladujte mimo dosahu detí. Nedovoľte, aby používali prístroj také osoby, ktoré nie sú oboznámené sli tieto pokyny.**
Elektrické nástroje sú nebezpečné, keď sú používané neskúsenými osobami.
- **Dôkladne ošetríte vaše prístroje. Skontrolujte, či je funkcia všetkých pohyblivých dielov bezchybná a či nedochádza k poškodeniu, resp. či nie je ovplyvnená správna funkcia prístroja. Nechajte poškodené diely pred použitím prístroja opraviť.**
Veľa úrazov sú následkom nesprávnej údržby elektrických nástrojov.
- **Udržujte vaše rezacie nástroje vždy ostré a vo vyčistenom stave.**
Starostlivo ošetrované rezacie nástroje s ostrými reznými hranami sa menej zasekávajú a je možné ich ľahšie viesť.
- **Používajte elektrický prístroj, príslušenstvo a výmenné nástroje atď. v súlade s príslušnými pokynmi. Berte**

SK**prítom ohľad na konkrétne pracovné podmienky a činnosť, ktorá sa má vykonať.**

Použitie elektrických nástrojov na iné účely ako na tie, na ktoré boli určené, môže viesť k vážnym nebezpečným situáciám.

5. SERVIS

- **Nechajte váš prístroj opravovať vždy len kvalifikovaným odborným personálom a vždy len pomocou originálnych náhradných dielov.**

Tým sa zabezpečí, že ostane zachovaná bezpečnosť tohto prístroja.

Bezpečnostné pokyny pre kladivá

- **Používajte ochranu sluchu.** Pôsobenie hluku môže spôsobiť poškodenie sluchu.
- **Používajte prídavné rukoväte, ktoré sú súčasťou dodávky prístroja.** Strata kontroly môže viesť k zraneniam.
- **Prístroj držte za určené izolované plochy, keď vykonávate také druhy práce, pri ktorých by mohol obrábací nástroj trafiť na schované elektrické vedenia alebo na vlastný sieťový kábel.** Kontakt s vedením, ktoré je pod napätím, môže vytvoriť elektrické napätie v kovových častiach prístroja a tak môže dôjsť k elektrickému úderu.

Špeciálne bezpečnostné predpisy

- Skontrolujte údaje pre napätie (volt) uvedené na typovom štítku.
- Pri použití predlžovacieho káblového bubna je potrebné kábel úplne odrolovať. Minimálny prierez drôtu 1,5 mm².
- Dbajte na bezpečný postoj pri ručnom vítaní na rebríkoch alebo lešeniach.
- V stenách, kde sú položené elektrické, vodovodné alebo plynové vedenia, je potrebné najskôr tieto vedenia lokalizovať pomocou vyhľadávacieho prístroja. Zabráňte dotyku s prístrojmi alebo rozvodmi, ktorými vedie elektrický prúd.
- Kvôli chráneniu vašich uší používajte ochranu sluchu! Nebezpečenstvo postupnej straty sluchu!
- Používajte ochranné okuliare a používajte ochrannú masku proti prachu pri prašných

prácach.

- Nepoužívajte v oblasti, kde sa vyskytujú výpary alebo horľavé tekutiny.
- Vytiahnite pri všetkých prestavbových a čistiacich prácach kábel von zo zásuvky.
- Chráňte elektrický kábel pred poškodením. Olej a kyseliny môžu poškodiť kábel.
- Nepreťažovať prístroj.
- Dôležité!
Dodržiavajte všetky národné bezpečnostné predpisy vzťahujúce sa na inštaláciu, prevádzku a údržbu tohto prístroja.
- Dláto a vrták môžu pri nesprávnom používaní vyletieť von z prístroja a spôsobiť ťažké zranenia.
 - Pred pracovným použitím vždy skontrolujte, či je dláto alebo vrták správne upevnený v nástrojovom upínači.
 - Stav opotrebovania resp. možné poškodenie nástrojového upínača je potrebné pravidelne kontrolovať.
- Ak používate úderný nástroj, tak ho uveďte do pohybu len vtedy, keď ho zatlačíte na obrábaný materiál (stenu, strop a pod.).
- Po ukončenej práci odpojte vrtacie kladivo z elektrickej siete a vyberte dláto resp. vrták von z prístroja.
- Pred výmenou dláta alebo vrtáku vždy odpojte vrtacie kladivo z elektrickej siete.
- Chráňte vaše oči ako aj ostatné osoby pred odlietajúcimi častkami materiálu a odlamujúcimi sa telesami. Používajte ochrannú helmu! Postavte okolo pracoviska oddeľujúci plot!
- Pracovné rukavice chránia pred odreninami kože.
- Vibrácie môžu byť škodlivé pre systém hornej končatiny. Z toho dôvodu sa snažte redukovať dobu pôsobenia vibrácií na minimum.
- Sieťový kábel ved'te vždy smerom vzad od prístroja.
- Skladujte prístroj tak, aby nebol prístupný deťom.
- Pri práci vždy držte prístroj oboma rukami a dbajte prítom na bezpečný pracovný postoj.
- Pred uvedením do prevádzky je potrebné dbať na to, aby bola na prístroji nastavená správna poloha vypínača pre práve

vykonávaný druh obrábania, pretože v opačnom prípade hrozí nebezpečenstvo zranenia pri rozbehu stroja.

Starostlivo uschovajte tieto bezpečnostné predpisy.

3. Popis prístroja (obr. 1)

1. Ochrana proti prachu
2. Upínacia hlava
3. Prídavná rukoväť
4. Aretačná skrutka pre hĺbkový doraz
5. Prepínač vrtanie/prikleповé vrtanie/sekanie
6. Rukoväť
7. Prepínač pravo-/ľavotočivý pohyb
8. Aretačné tlačidlo
9. Otáčkový regulátor
10. Vypínač zap/vyp
11. Prevádzkový ukazovateľ
12. Ukazovateľ opotrebovania uhlíkových kefiék
13. Hĺbkový doraz
14. Dodatočné rýchloupínacie skl'učovadlo
15. Prípravok na zachytenie prachu

4. Objem dodávky

Vyberte všetky diely von z obalu a skontrolujte, či je obsah kompletný.

- Vŕtacie kladivo PBH 1100 A1
- Prídavná rukoväť
- Hĺbkový doraz
- Vrtáky na kameň (6, 8, 10 mm)
- Špicaté dláto - ploché dláto
- Dodatočné rýchloupínacie skl'učovadlo
- Prípravok na zachytenie prachu
- Návod na obsluhu


5. Správne použitie prístroja

Prístroj je určený na vrtanie kladivom do betónu, kameniny a tehál a na práce s dlátom pri použití príslušného vrtáku alebo dláta.

Prístroj smie byť použitý len na ten účel, na ktorý bol určený. Každé iné odlišné použitie prístroja sa považuje za nespĺňajúce účel použitia. Za škody alebo zranenia akéhokoľvek druhu spôsobené nesprávnym používaním ručí používateľ / obsluhujúca osoba, nie však výrobca.

Prosím zohľadnite skutočnosť, že správny spôsob prevádzky našich prístrojov nie je na profesionálne, remeselnícke ani priemyselné použitie. Nepreberáme žiadne záručné ručenie, ak sa prístroj bude používať v profesionálnych, remeselníckych alebo priemyselných prevádzkach ako aj na činnosti rovnocenné s takýmto použitím.

6. Technické údaje

Sieťové napätie:	230-240 V~ 50 Hz
Príkonnosť:	1050 W
Otáčky vo voľnobehu:	0-1100 min ⁻¹
Počet úderov:	0-5100 min ⁻¹
Výkon vrtania betón/kameň (max):	Ø 26 mm
Trieda ochrany:	II / 
Hmotnosť:	3,6 kg

Hlučnosť a vibrácie

Hodnoty hlučnosti a vibrácií boli merané podľa európskej normy EN 60745.

Hladina akustického tlaku L _{pA}	91,8 dB (A)
Nepresnosť K _{pA}	3 dB
Hladina akustického výkonu L _{WA}	102,8 dB (A)
Nepresnosť K _{WA}	3 dB

SK

Vrtacie kladivo nie je určené na použitie vo vonkajšom prostredí podľa článku 3 smernice 2000/14/EC_2005/88/EC.

Používajte ochranu sluchu.

Pôsobenie hluku môže spôsobiť poškodenie sluchu.

Celkové hodnoty vibrácií (súčet vektorov troch smerov) stanovené v súlade s EN 60745.

Príklepové vrtanie do betónu

Hodnota emisií vibrácií $a_h = 15,81 \text{ m/s}^2$

Nepresnosť $K = 1,5 \text{ m/s}^2$

Sekanie

Hodnota emisií vibrácií $a_h = 15,668 \text{ m/s}^2$

Nepresnosť $K = 1,5 \text{ m/s}^2$

Výstraha!

Uvedená emisná hodnota vibrácií bola nameraná podľa normovaného skúšobného postupu a môže sa meniť v závislosti od druhu a spôsobu použitia elektrického náradia a vo výnimočných prípadoch sa môže nachádzať nad uvedenou hodnotou.

Uvedená emisná hodnota vibrácií sa môže použiť za účelom porovnania elektrického prístroja s inými prístrojmi.

Uvedená emisná hodnota vibrácií sa môže taktiež použiť za účelom východiskového posúdenia vplyvov.

Obmedzte tvorbu hluku a vibráciu na minimum!

- Používajte len prístroje v bezchybnom stave.
- Pravidelne vykonávajte údržbu a čistenie prístroja.
- Prispôbte spôsob práce prístroju.
- Prístroj nepreťažujte.
- V prípade potreby nechajte prístroj skontrolovať.
- Prístroj vypnite, pokiaľ ho nepoužívate.
- Používajte rukavice.

7. Pred uvedením do prevádzky

⚠ Pozor!

Presvedčte sa pred zapojením prístroja do siete o tom, či údaje na typovom štítku prístroja súhlasia s údajmi elektrickej siete.

Skôr než začnete na prístroji robiť akékoľvek nastavenia, vytriahnite zo siete elektrický kábel.

Skontrolujte miesto použitia pomocou prístroja na vyhľadávanie rozvodov, či sa tam nenachádzajú skryté uložené elektrické vedenia, plynové a vodovodné potrubia.

7.1 Prídavná rukoväť (obr. 2 - pol. 3) Vrtacie kladivo používať z bezpečnostných dôvodov vždy spolu s prídavnou rukoväťou.

Prídavná rukoväť (3) Vám poskytuje počas používania prístroja dodatočnú stabilitu. Nepoužívajte preto tento prístroj bez prídavnej rukoväte (3). Prídavná rukoväť (3) sa upevňuje na prístroji pomocou svorky. Otočením prídavnej rukoväte (3) v smere hodinových ručičiek sa svorka dotiahne. Otočenie proti smeru hodinových ručičiek uvoľní svorku.

- Priložená prídavná rukoväť (3) sa musí najskôr namontovať. Pritom sa musí otáčaním prídavnej rukoväte (3) svorka dostatočne otvoriť, aby sa prídavná rukoväť (3) mohla nasunúť cez prístroj.
- Po nasunutí prídavnej rukoväte (3) ju nastavte do pracovnej polohy, ktorá Vám bude najviac vyhovovať.
- Teraz prídavnú rukoväť (3) opäť dotiahnite do opačného smeru, kým nie je prídavná rukoväť (3) pevne upevnená.
- Prídavná rukoväť (3) je vhodná rovnako pre pravákov ako aj ľavákov.

7.2 Hĺbkový doraz (obr. 3 - pol. 13)

Hĺbkový doraz (13) je držaný aretačnou skrutkou (4) na prídavnej rukoväti (3) pomocou svorky.

- Uvoľnite aretačnú skrutku (4) a nasadte hĺbkový doraz (13).
- Dajte hĺbkový doraz (13) do rovnakej roviny s vrtačkou.

- Potiahnite hĺbkový doraz (13) dozadu, aby ste dosiahli požadovanú hĺbku vrtania.
- Aretačnú skrutku (4) znovu pevne dotiahnite.
- Dieru vrtajte dovtedy, kým sa hĺbkový doraz (13) nedotkne obrobku.
- Hĺbkový doraz (13) je vybavený rastrovaním, ktoré pri používaní zabraňuje posúvaniu hĺbkového dorazu (13).

7.3 Nasadenie nástroja (obr. 4)

- Pred nasadením nástroj vyčistite a stopku nástroja zľahka namažte mazivom na vrtáky.
- Upínaciu hlavu (2) potiahnite dozadu a držte.
- Čistý nástroj zasuňte až na doraz otáčavým pohybom do uloženia nástroja. Nástroj sa sám zablokuje po pustení upínacej objímky.
- Blokovanie skontrolujte potiahnutím nástroja.

7.4 Vybratie nástroja (obr. 5)

Upínaciu hlavu (2) potiahnite dozadu, zadržte a vytiahnite nástroj.

7.5 Prípravok na zachytávanie prachu (obr. 8)

Pred prácami vrtacím kladivom nasuňte cez vrták kolmo nad hlavu prípravok na zachytávanie prachu (15).

7.6 Nasadenie dodatočného rýchlopínacieho skľučovadla (obr. 4)

- Rýchlopínacie skľučovadlo (14) pred nasadením vyčistite a stopku rýchlopínacieho skľučovadla zľahka namažte mazivom na vrtáky.
- Upínaciu hlavu (2) potiahnite dozadu a držte.
- Prachu zbavené rýchlopínacie skľučovadlo (14) zasuňte otáčavým pohybom až na doraz do uloženia nástroja. Rýchlopínacie skľučovadlo (14) sa samo zafixuje po pustení upínacej hlavy.
- Zafixovanie skontrolujte potiahnutím za rýchlopínacie skľučovadlo (14).

7.7 Odobratie dodatočného

rýchlopínacieho skľučovadla (obr. 5)

Upínaciu hlavu (2) potiahnite dozadu, zadržte a rýchlopínacie skľučovadlo odoberte.

7.8 Nasadenie vrtáka do rýchlopínacieho skľučovadla (obr. 6-7)

⚠ Pozor!

- Vytiahnite vždy elektrický kábel zo siete predtým, než budete vykonávať nastavenie na prístroji.
- Povoľte hĺbkový doraz (13) podľa popisu v odseku 7.2 a posuňte ho smerom k rukoväti vrtáčky. Takto sa získa voľný prístup k skľučovadlu (14).
- Otáčaním otvorte skľučovadlo (14). Otvor pre vrták musí byť dostatočne veľký, aby sa mohol vrták nasadiť.
- Vyberte vhodný vrták. Zasuňte zvolený nástroj čo najhlbšie do otvoru skľučovadla.
- Otáčaním zatvorte skľučovadlo (14). Skontrolujte, či vrták pevne sedí v skľučovadle (14).
- V pravidelných intervaloch kontrolujte pevne dotiahnutie vrtáka resp. nástroja (vytiahnite sieťový kábel!).

8. Uvedenie do prevádzky

⚠ Pozor!

Aby sa zabránilo ohrozeniu, prístroj sa musí držať vždy za obidve rukoväte (3/6)!

V opačnom prípade môže pri navítaní vedení hroziť úder elektrickým prúdom!

8.1 Prevádzkový ukazovateľ (obr. 1/pol. 11)

Prevádzkový ukazovateľ (11) svieti, ak je zapojená sieťová zástrčka.

8.2 Vypínač zap/vyp (obr. 9/pol. 10)

- Najskôr do prístroja založte vhodný vrták (pozri 7.3).
- Zapojte sieťovú zástrčku do vhodnej zásuvky.
- Priložte vrtáčku priamo na miesto vrtania.

Zapnutie:

Stlačiť vypínač zap/vyp (10)

SK**Vypnutie:**

Pustíte vypínač zap/vyp (10).

Zapnutie trvalej prevádzky:

Zabezpečte vypínač zap/vyp (10) pomocou aretačného tlačidla (8).

Pozor! Aretácia je možná iba v pravotočivom chode.

Vypnutie trvalej prevádzky:

Krátko zatlačte vypínač zap/vyp (10).

8.3 Nastavenie otáčok (obr. 9/pol. 10)

- Počas prevádzky môžete plynule regulovať otáčky.
- Otáčky zvolíte slabším alebo silnejším stláčaním vypínača zap/vyp (10).
- Voľba správnych otáčok: Najvhodnejšie otáčky závisia od obrobku, prevádzkového režimu a použitého vrtáku.
- Slabší tlak na vypínač zap/vyp (10): nižšie otáčky
- Silnejší tlak na vypínač zap/vyp (10): vyššie otáčky

Tip: Navráťte vrtacie otvory s nízkymi otáčkami. Potom postupne zvyšujte otáčky.

Výhody:

- Vrták je pri navrtaní ľahšie kontrolovateľný a nepošmykne sa.
- Zabráňte roztriešteniu vrtacích otvorov (napr. pri kachličkách).

8.4 Predvoľba otáčok (obr. 9/pol. 9)

- Nevykonávajte toto nastavenie počas vrtania.
- Nastavovací krúžok otáčok (9) vám umožňuje nastavenie maximálnych otáčok. Vypínač zap/vyp (10) sa dá takto stlačiť iba po zadané maximálne otáčky.
- Nastavte otáčky pomocou nastavovacieho krúžku (9) na vypínači zap/vyp (10).

8.5 Prepínač pravo-/ľavotočivého chodu (obr. 9/pol. 7)

- **Prepínať len v nehybnom stave!**
- Pomocou prepínača pravo-/ľavotočivého chodu (7) nastavte smer pohybu príklepovej vrtáčky:

Smer pohybu

Pravotočivý chod
(dopredu a vrtanie)

Poloha vypínača

Zatlačenie vľavo

Ľavotočivý chod (chod vzad) Zatlačenie doprava

8.6. Prepínač vrtanie/príklepové vrtanie/sekanie (obr. 10)

Pozor! Ak je namontované dodatočné rýchloupínacie skľučovadlo (14), tak nie sú k dispozícii funkcie príklepového vrtania/sekania.

- Vrtanie sa spúšťa stlačením tlačidla (E) na prepínači (5) a súčasným otočením prepínača (5) do polohy A.
- Príklepové vrtanie sa spúšťa stlačením tlačidla (E) na prepínači (5) a súčasným otočením prepínača (5) do polohy B.
- Prevádzka sekania sa spúšťa stlačením tlačidla (E) na prepínači (5) a súčasným otočením prepínača (5) do polohy C. V polohe C nie je dláto zaaretované.
- Prevádzka sekania sa spúšťa stlačením tlačidla (E) na prepínači (5) a súčasným otočením prepínača (5) do polohy D. V polohe D je dláto zaaretované.

Pozor!

Na príklepové vrtanie potrebujete iba malú prítlačnú silu. Príliš vysoký prítlačací tlak zbytočne zaťažuje motor. Pravidelne kontrolujte vrták. Tupé vrtáky nabrúste alebo vymeňte.

9. Výmena sieťového prípojného vedenia

V prípade poškodenia sieťového prípojného vedenia prístroja sa musí vedenie vymeniť výrobcom alebo jeho zákaznickým zastúpením alebo podobne kvalifikovanou osobou, aby sa zabránilo rizikám.

10. Čistenie, údržba a objednanie náhradných dielov

⚠ Pozor!

Pred všetkými údržbovými a čistiacimi prácami vytiahnite kábel zo siete.

10.1 Čistenie

- Udržujte ochranné zariadenia, vzduchové otvory a ebo ho vyčistíte vyfúkaním stlačeným vzduchom pri nastavení na nízky tlak.
- Odporúčame, aby ste prístroj čistili spravidla vždy po každom použití.
- Čistite prístroj pravidelne pomocou vlhkej utierky aostriedky alebo riedidla; tieto prostriedky by mohli napadnúť umelohmotné diely prístroja. Dbajte na to, aby sa do vnútra prístroja nedostala voda.

10.2 Uhlíkové kefky

Pri nadmernej tvorbe iskier alebo rozsvietení ukazovateľa opotrebovania uhlíkových kefiiek (12) nechajte uhlíkové kefky skontrolovať odborným elektrikárom.

10.3 Údržba

Vo vnútri prístroja sa nenachádzajú žiadne ďalšie diely vyžadujúce údržbu.

10.4 Objednávanie náhradných dielov:

Pri objednávaní náhradných dielov je potrebné uviesť nasledovné údaje;

- Typ prístroja
- Výrobné číslo prístroja
- Identifikačné číslo prístroja

Aktuálne ceny a informácie nájdete na stránke www.isc-gmbh.info

11. Likvidácia a recyklácia

Prístroj sa nachádza v obale za účelom zabránenia poškodeniu pri transporte. Tento obal je vyrobený zo suroviny a tým pádom je ho možné znovu použiť alebo sa môže dať do zberu na recykláciu surovín.

Prístroj a jeho príslušenstvo sa skladajú z rôznych materiálov, ako sú napr. kovy a plasty. Poškodené súčiastky odovzdajte na vhodnú likvidáciu špeciálneho odpadu. Informujte sa v odbornej predajni alebo na miestnych úradoch!



Len pre krajiny EÚ

Neodstraňujte elektrické prístroje ako domový odpad.

Podľa Európskej smernice 2002/96/ES o odpade z elektrických a elektronických zariadení (OEEZ) a v súlade s národnými právnymi predpismi sa musia použité elektronické prístroje odovzdať do triedeného zberu a musí sa zabezpečiť špecifické spracovanie a recyklácia.

Recyklačná alternatíva k výzve na spätný odber výrobku:

Vlastník elektrického prístroja je alternatívne namiesto spätnej zásielky povinný spolupracovať pri riadnej recyklácii prístroja voj môže byť za týmto účelom taktiež prenechaný zbernému miestu, ktoré vykoná odstránenie v zmysle národného zákona o recyklácii a ckých komponentov.

SK

12. Prehlásenie o zhode

Einhell Germany AG · Wiesenweg 22 · D-94405 Landau/Isar



Konformitätserklärung

- erklärt folgende Konformität gemäß EU-Richtlinie und Normen für Artikel
 explains the following conformity according to EU directives and norms for the following product
 déclare la conformité suivante selon la directive CE et les normes concernant l'article
 dichiara la seguente conformità secondo la direttiva UE e le norme per l'articolo
 verklaart de volgende overeenstemming conform EU richtlijn en normen voor het product
 declara la siguiente conformidad a tenor de la directiva y normas de la UE para el artículo
 declara a seguinte conformidade, de acordo com a directiva CE e normas para o artigo
 atterer følgende overensstemmelse i medfør af EU-direktiv samt standarder for artikel
 förklarar följande överensstämmelse enl. EU-direktiv och standarder för artikeln
 vakuuttaa, että tuote täyttää EU-direktiivin ja standardien vaatimukset
 töendab toote vastavust EL direktiivile ja standarditele
 vydává následující prohlášení o shodě podle směrnice EU a norem pro výrobek
 potrjuje sledeću skladnost s smernico EU in standardi za izdelek
 vydává následující prohlášení o zhode podľa smernice EÚ a noriem pre výrobok
 a cikkekhez az EU-irányvonal és Normák szerint a következő konformitást jelenti ki
 deklaruje zgodność wymienionego poniżej artykułu z następującymi normami na podstawie dyrektywy WE.
 декларира съответното съответствие съгласно Директива на ЕС и норми за артикул
 paskaidro šādu atbilstību ES direktīvai un standartiem
 arībūdina šj atitikimā EU reikalavimams ir prekės normoms
 declară următoarea conformitate conform directivei UE și normelor pentru articolul
 δηλώνει την ακόλουθη συμμόρφωση σύμφωνα με την Οδηγία ΕΚ και τα πρότυπα για το προϊόν
 potvrđuje sljedeću usklađenost prema smjernicama EU i normama za artikl
 Izjava o sukladnosti za ovaj proizvod dostupna je na internet stranici www.lidl.hr.
 potvrđuje sljedeću usklađenost prema smjernicama EU i normama za artikl
 potvrđuje sledeću usklađenost prema smernicama EZ i normama za artikal
 следующим удостоверяется, что следующие продукты соответствуют директивам и нормам ЕС
 проголошує про зазначену нижче відповідність виробу директивам та стандартам ЄС на виріб
 Ürünü ile ilgili AB direktifleri ve normları gereğince aşağıda açıklanan uygunluğu belirtir
 erklærer følgende samsvar i henhold til EU-direktivet og standarder for artikkel
 Lýsir uppfyllingu EU-reglna og annarra staða vöru

Bohrhammer PBH 1100 A1 (Parkside)

- 87/404/EC_2009/105/EC
 2005/32/EC_2009/125/EC
 2006/95/EC
 2006/28/EC
 2004/108/EC
 2004/22/EC
 1999/5/EC
 97/23/EC
 90/396/EC_2009/142/EC
 89/686/EC_96/58/EC
 2011/65/EC
 2006/42/EC
 Annex IV
 Notified Body:
 Notified Body No.:
 Reg. No.:
 2000/14/EC_2005/88/EC
 Annex V
 Annex VI
 Noise: measured L_{WA} = dB (A); guaranteed L_{WA} = dB (A)
 P = KW; L/Ø = cm
 Notified Body:
 2004/26/EC
 Emission No.:

Standard references: EN 60745-1; EN 60745-2-6; EN 55014-1;
EN 55014-2; EN 61000-3-2; EN 61000-3-3

Landau/Isar, den 21.09.2011

[Signature]
Weichselgartner/General Manager

[Signature]
Unger/Product-Management

First CE: 08
Art.-No.: 42.583.76 I.-No.: 11031
Subject to change without notice

Archive-File/Record: NAPR004729
Documents registrar: Georg Riedel
Wiesenweg 22, D-94405 Landau/Isar

13. ZÁRUČNÝ LIST

Vážená zákazníčka, vážený zákazník,

naše výrobky podliehajú prísnej kontrole kvality. V prípade, že nebude prístroj napriek tomu bezchybne fungovať, je nám to veľmi ľúto a prosíme Vás, aby ste sa obrátili na našu servisnú službu na adrese uvedenej na tomto záručnom liste. Radi Vám budeme k dispozícii taktiež telefonicky na uvedenom servisnom telefónnom čísle. Pri uplatňovaní nárokov na záručné plnenie platia nasledujúce podmienky:

1. Tieto záručné podmienky upravujú dodatočné záručné plnenie. Vaše zákonné nároky na záruku nie sú touto zárukou dotknuté. Naše záručné plnenie je pre Vás zadarmo.
 2. Záručné plnenie sa vzťahuje výlučne len na nedostatky, ktoré sú spôsobené chybami materiálu alebo výrobnými chybami, a je obmedzené na odstránenie týchto nedostatkov resp. výmenu prístroja. Prosím, dbajte na to, že naše prístroje neboli svojim určením konštruované na profesionálne, remeselnícke ani priemyselné použitie. Táto záručná zmluva sa preto neuzatvára, ak sa prístroj bude používať v profesionálnych, remeselníckych alebo priemyselných prevádzkach ako aj na činnosti rovnocenné s takýmto použitím. Z našej záruky sú okrem toho vylúčené náhradné plnenie za škody pri transporte, škody spôsobené nedodržaním návodu na montáž alebo na základe neodbornej inštalácie, nedodržaním návodu na použitie (ako napr. pripojením na nesprávne sieťové napätie alebo druh prúdu), zneužívaním alebo nesprávnym používaním (ako napr. preťaženie prístroja alebo použitie neprípustných pracovných nástrojov alebo príslušenstva), nedodržaním pokynov pre údržbu a bezpečnostných pokynov, vniknutím cudzích telies do prístroja (ako napr. piesok, kamene alebo prach), použitím násillia alebo cudzieho pôsobenia (napr. škody spôsobené pádom), a taktiež je vylúčené bežné opotrebenie primerané použitiu. To sa týka predovšetkým akumulátorov, na ktoré napriek tomu garantujeme záručnú dobu 12 mesiacov.
- Nárok na záruku zaniká, ak už boli na prístroji svojvoľne uskutočnené zásahy.
3. Doba záruky je 3 roky a začína sa dátumom nákupu prístroja. Nároky na záruku sa musia uplatniť pred koncom uplynutia záručnej doby do dvoch týždňov od zistenia nedostatku. Uplatnenie nárokov na záruku po uplynutí záručnej doby je vylúčené. Oprava alebo výmena prístroja nevedie k predĺženiu záručnej doby ani nedochádza na základe tohto plnenia ku vzniku novej záručnej doby pre prístroj ani pre akékoľvek inštalované náhradné diely. To platí taktiež pri nasadení miestneho servisu.
 4. Pre uplatnenie nároku na záruku nám prosím zašlite defektný prístroj oslobodený od poštovného na dole uvedenú adresu. Priložte predajný doklad v origináli alebo iný doklad o zakúpení s dátumom. Prosím, starostlivo si preto uschovajte pokladničný blok ako doklad o zakúpení! Prosím, popíšte nám čo najpresnejšie dôvod reklamácie. Ak spadá defekt prístroja pod naše záručné plnenie, dostanete obratom naspäť opravený alebo nový prístroj.

Samozrejme Vám radi opravíme závady na prístroji na vaše náklady, ak tieto závady nespádajú alebo už nespádajú do rozsahu záruky. Prosím, pošlite nám v takom prípade prístroj na našu servisnú adresu.

Einhell Slovakia s.r.o.
Dial'ničná cesta 18
903 01 Senec
Tel.: + 421 2 209037 87/88, Fax: + 421 2 20903795
E-mail: servissk@einhell.sk

PL

Spis treści:

Strona:

1. Przedmowa.....	70
2. Wskazówki bezpieczeństwa	70-73
3. Opis urządzenia	73
4. Zakres dostawy	73
5. Użycie zgodne z przeznaczeniem	73
6. Dane techniczne	73-74
7. Przed uruchomieniem	74-75
8. Uruchamianie	76-77
9. Wymiana przewodu zasilającego	77
10. Czyszczenie, konserwacja i zamawianie części zamiennych	77
11. Utylizacja odpadów i recykling	78
12. Deklaracja zgodności z normami	79
13. Świadectwo gwarancyjne	80

Przedruk lub innego rodzaju powielanie dokumentacji wyrobów oraz dokumentów towarzyszących, nawet we fragmentach dopuszczalne jest tylko za wyraźną zgodą firmy ISC GmbH.

Zastrzega się wprowadzanie zmian technicznych

Dodatkowe wskazówki bezpieczeństwa



„Ostrzeżenie – Aby zmniejszyć ryzyko zranienia, należy przeczytać instrukcję obsługi”



Nosić nauszniki ochronne

Hałas powoduje postępującą utratę słuchu.



Nosić maskę przeciwpyłową

Przy pracy w drewnie i innych materiałach może dochodzić do powstawania szkodliwego dla zdrowia pyłu. Nie obrabiać materiału zawierającego azbest!



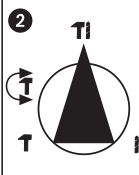
Nosić okulary ochronne

W czasie pracy może dochodzić do powstawania powodujących utratę wzroku iskiek, opiłek, drzazg lub odprysków.

1



2



Aby uniknąć uszkodzenia urządzenia, przełączanie pomiędzy funkcjami powinno następować, gdy urządzenie się zatrzyma.

1. Przedmowa

⚠ Uwaga!

Podczas użytkowania urządzenia należy przestrzegać wskazówek bezpieczeństwa w celu uniknięcia zranień i uszkodzeń. Z tego względu proszę dokładnie zapoznać się z instrukcją obsługi/ wskazówkami bezpieczeństwa. Proszę zachować instrukcję i wskazówki, aby można było w każdym momencie do nich wrócić. W razie przekazania urządzenia innej osobie, proszę wręczyć jej również instrukcję obsługi/ wskazówki bezpieczeństwa. Nie odpowiadamy za wypadki i uszkodzenia zaistniałe w wyniku nieprzestrzegania niniejszej instrukcji i wskazówek bezpieczeństwa.

2. Wskazówki bezpieczeństwa

⚠ OSTRZEŻENIE

Przeczytać wszystkie wskazówki bezpieczeństwa i instrukcję.

Nieprzestrzeganie instrukcji i wskazówek bezpieczeństwa może wywołać porażenia prądem, niebezpieczeństwo pożaru lub ciężkie zranienia.

Proszę zachować na przyszłość wskazówki bezpieczeństwa i instrukcję.

Poniżej zastosowane pojęcie „elektronarzędzi” odnosi się do zasilanych sieciowo elektronarzędzi (z kablem sieciowym) i zasilanych akumulatorowo elektronarzędzi (bez kabla sieciowego).

1. Bezpieczeństwo miejsca pracy

- **Miejsce pracy utrzymywać w czystości.**
Nieporządek i złe oświetlenie miejsca pracy mogą prowadzić do wypadków.
- **Nie należy pracować elektronarzędziem w zagrożonym eksplozją otoczeniu, w pobliżu łatwopalnych substancji, gazów i pyłów.**
Elektronarzędzia wywołują iskry, które mogą zapalić kurz i opary.
- **W trakcie użytkowania elektronarzędzi**

dzieci i inne osoby trzymać z dala od obszaru pracy.

Odwrócenie uwagi od wykonywanej pracy może spowodować utratę kontroli nad urządzeniem.

2. Bezpieczeństwo elektryczne

- **Wtyczka urządzenia musi pasować do kontaktu. Wtyczka nie może być w żaden sposób zmieniona. Nie stosować wtyczki adaptacyjnej razem z uziemionymi elektronarzędziami.**
Nie zmienione wtyczki i pasujące gniazdka zmniejszają ryzyko porażenia prądem.
- **Unikać zetknięcia części ciała z uziemionymi powierzchniami, np. rurami, elementami grzejnymi, kuchenkami, lodówkami.**
Kiedy Państwa ciało jest uziemione istnieje większe ryzyko porażenia prądem .
- **Chronić urządzenie przed deszczem i wilgocią.**
Wniknięcie wody do urządzenia podwyższa ryzyko porażenia prądem.
- **Nie używać kabla niezgodnie z przeznaczeniem, w celu przeniesienia urządzenia lub wyjęcia wtyczki z gniazdka. Trzymać kabel z dala od gorąca, oleju, ostrych kątów albo ruchomych części urządzenia.**
Uszkodzony lub przerwany kabel podnosi ryzyko porażenia prądem.
- **Praca z elektronarzędziem na zewnątrz, wymaga zastosowania przedłużacza, który dopuszczony jest do pracy na zewnątrz.**
Zastosowanie przedłużacza przeznaczonego do pracy na zewnątrz, zmniejszy ryzyko porażenia prądem.
- **Jeżeli użycie elektronarzędzia w wilgotnym otoczeniu jest konieczne, należy użyć wyłącznika ochronnego prądowego.**
Użycie wyłącznika ochronnego prądowego zmniejsza ryzyko porażenia prądem.

3. Bezpieczeństwo osób

- **Należy zachować ostrożność, uważać na to, co się robi i poruszać się z rozwagą przy pracy z urządzeniem. Nie używać urządzenia, gdy jest się zmęczonym lub pod wpływem narkotyków, alkoholu lub lekarstw.**
Moment nieuwagi podczas używania elektronarzędzia może prowadzić do poważnych zranień.
- **Zawsze nosić okulary ochronne oraz wyposażenie ochronne.**
Należy nosić odzież wyposażenie ochronne, takie jak maskę ochronną, obuwie antypoślizgowe, kask lub naszniki w zależności od rodzaju i zastosowania elektronarzędzia, zmniejsza to ryzyko zranienia.
- **Unikać przypadkowego uruchomienia. Przed podłączeniem urządzenia do sieci i/ lub akumulatora, jego podniesieniu lub przeniesieniem upewnić się, że urządzenie jest wyłączone.**
Jeśli podczas przenoszenia mają Państwo palce na włączniku lub urządzenie jest włączone do prądu, może dojść do wypadku.
- **Przed uruchomieniem urządzenia usunąć urządzenia nastawcze lub klucze do śrub.**
Narzędzie lub klucz, który znajdzie się w obracających się częściach, może doprowadzić do zranienia.
- **Unikać nienaturalnych pozycji. Dbać o pewną postawę i utrzymywać równowagę podczas pracy.**
Dzięki temu mogą Państwo lepiej kontrolować urządzenie w nieoczekiwanych sytuacjach.
- **Nosić odpowiednie ubranie. Nie nosić luźnej odzieży lub biżuterii. Utrzymywać włosy, ubranie i rękawice z dala od ruchomych części urządzenia.**
Luźne ubrania, biżuteria lub długie włosy mogą zostać wciągnięte w poruszające się części.
- **Kiedy zamontowane są elementy pochłaniające i zbierające kurz, upewnienie się Państwo że są one podłączone i właściwie użytkowane.**

Użycie przyłącza do odsysania pyłu zmniejsza niebezpieczeństwo wywołane przez kurz.

4. Użytkowanie i przechowywanie elektronarzędzia

- **Nie przeciążać urządzenia. Do pracy używać odpowiednich do tego celu elektronarzędzi.**
Z pasującym elektronarzędziem pracuje się lepiej i bezpieczniej przy podanej wydajności.
- **Nie używać urządzenia, który ma uszkodzony włącznik.**
Urządzenie, którego nie można włączyć ani wyłączyć jest niebezpieczne i musi zostać naprawione.
- **Przed ustawieniem urządzenia, wymianą części osprzętu lub odłożeniem urządzenia należy wyciągnąć wtyczkę z gniazdka i/ lub wyciągnąć akumulator.**
Odpowiednie środki ostrożności zapobiegają nieoczekiwanemu włączeniu urządzenia.
- **Nieużywane urządzenia przechowywać poza zasięgiem dzieci. Osoby, które nie poznały urządzenia lub nie przeczytały tej instrukcji nie powinny używać urządzenia.**
Elektronarzędzia są niebezpieczne, jeśli są używane przez niedoświadczonych osoby.
- **Starannie dbać o elektronarzędzia. Należy kontrolować, czy ruchome części funkcjonują bez zarzutu, nie zakleszczają się, czy nie są złamane lub uszkodzone, tak aby nie wpływało to na funkcjonowanie urządzenia. Przed użyciem narzędzia należy naprawić uszkodzone części.**
Wiele wypadków spowodowanych jest niewłaściwą konserwacją urządzenia.
- **Urządzenie tnące przechowywać naostrzone i czyste.**
Właściwie pielęgnowane urządzenia tnące z naostrzonym ostrzem rzadziej się zakleszczają i są łatwiejsze do prowadzenia.
- **Używać elektronarzędzia oraz jego osprzętu itp. zgodnie ze wskazówkami.**

PL

Zwracać przy tym uwagę na warunki pracy i wykonywane czynności.

Wykorzystanie elektronarzędzi do celów innych niż jest to przewidziane może prowadzić do niebezpiecznych sytuacji.

5. Serwis

- **Naprawy urządzenia dokonywać jedynie w autoryzowanym serwisie i tylko przy użyciu oryginalnych części.**

Dzięki temu zagwarantowane jest, że bezpieczeństwo urządzenia nie uległo zmianie.

Wskazówki bezpieczeństwa dla młota

- **Nosić nauszники ochronne.**
Oddziaływanie hałasu może spowodować utratę słuchu.
- **Używać dołączonych w dostawie z urządzeniem uchwytów dodatkowych.**
Utrata kontroli może prowadzić do zranień.
- **Kiedy wykonywane są prace, przy których narzędzie mogłoby dotknąć ukrytych przewodów prądu lub kabla zasilającego, trzymać urządzenie powierzchniowo.** Kontakt z przewodami pod napięciem powoduje, że metalowe części urządzenia są też pod napięciem, co prowadzi do porażenia prądem.

Dodatkowe wskazówki dotyczące bezpieczeństwa

- Sprawdzić napięcie na tabliczce znamionowej urządzenia (V).
- W razie używania bębna kablowego należy całkowicie rozwinąć przewód. Minimalny przekrój przewodu 1,5 mm².
- Dbać o pewną postawę ciała podczas wiercenia na drabinach lub rusztowaniach bez trzymania rękami.
- W ścianach, w których przewody elektryczne, gazowe i instalacji wodnej są ułożone w niewidoczny sposób, należy najpierw zlokalizować ich położenie przy pomocy wykrywacza przewodów. Unikać kontaktu z częściami i przewodami przewodzącymi prąd.
- Nosić słuchawki ochronne w celu ochrony uszu: postępująca utrata słuchu!

- Podczas prac wytwarzających pył należy nosić okulary ochronne i maskę przeciwpylową.
- Nie użytkować urządzenia w obrębie wydzielania się oparów lub palnych cieczy.
- Wyciągnąć wtyczkę przewodu zasilającego z gniazdka przed wszystkimi czynnościami związanymi z przeróbką lub czyszczeniem elektronarzędzia.
- Chronić przewód zasilający przed uszkodzeniami. Oleje i kwasy mogą uszkodzić przewód.
- Nie przeciążać urządzenia.
- **Ważne!**
Należy przestrzegać wszystkich, obowiązujących w danym kraju przepisów BHP w sprawie instalacji, eksploatacji i konserwacji.
- Przecinak i wiertło mogą zostać przypadkowo wyrzucone z elektronarzędzia i spowodować ciężkie zranienia:
 - Przed rozpoczęciem pracy należy sprawdzić, czy przecinak lub wiertło są zablokowane w uchwycie narzędzia.
 - Sprawdzać regularnie uchwyt narzędzia pod względem zużycia lub uszkodzeń.
- Młot z włączonym udarem wolno uruchomić tylko wtedy, gdy dociśnięty jest do powierzchni ni przedmiotu (ściana, sufit itd.).
- Po zakończeniu pracy młot udarowo-obrotowy odłączyć od zasilania sieciowego i wyjąć przecinak lub wiertło.
- Przed wymianą przecinaka lub wiertła zawsze należy odłączyć młot udarowo-obrotowy od zasilania sieciowego.
- Chronić oczy oraz współpracowników przed cząstkami pyłu i odpryskującymi ciałami obcymi. Nosić kask ochronny! Ustawić ścianki działowe!
- Rękawice robocze chronią skórę przed otarciami.
- Wibracje mogą być szkodliwe dla układu ręka-ramię: ograniczyć do możliwego minimum czas oddziaływania wibracji.
- Przewód zasilający prowadzić zawsze z tyłu za elektronarzędziem.
- Elektronarzędzie przechowywać w miejscu

niedostępnym dla dzieci.

- Podczas pracy trzymać elektronarzędzie zawsze oburącz i dbać o pewną postawę ciała.
- Przed uruchomieniem należy dopilnować, aby wyłącznik na urządzeniu ustawiony był w pozycji zgodnej z wykonywaną obróbką, w przeciwnym razie zachodzi niebezpieczeństwo zranienia przy rozruchu urządzenia.

Zachować listę ze wskazówkami bezpieczeństwa.

3. Opis urządzenia (rys. 1)

1. Osłona przeciwpływowa
2. Tulejka blokująca
3. Uchwyt dodatkowy
4. Śruba do regulacji ogranicznika głębokości
5. Przełącznik wiercenie/ wiercenie udarowe / dłutowanie
6. Uchwyt
7. Przełącznik obrotów prawo/ lewo
8. Przycisk blokujący
9. Regulacja liczby obrotów
10. Włącznik/ Wyłącznik
11. Wskaźnik włączenia
12. Wskaźnik zużycia szczotek węglowych
13. Ogranicznik głębokości
14. Dodatkowy uchwyt szybkocujący
15. Element zbierający kurz

4. Zakres dostawy

Wyciągnąć wszystkie części z opakowania i sprawdzić zawartości dostawy pod kątem kompletności.

- Młotowiertarka PBH 1100 A1
- Uchwyt dodatkowy
- Ogranicznik głębokości
- Wiertła do kamienia (6, 8, 10 mm)
- Przecinak szpiczasty – przecinak płaski
- Dodatkowy uchwyt szybkocujący
- Element zbierający kurz
- Instrukcja obsługi

5. Użycie zgodne z przeznaczeniem

Urządzenie przeznaczone jest do wiercenia udarowego w betonie, kamieniu i ceglach oraz do dłutowania przy zastosowaniu odpowiednich wiertel i dłut.

Urządzenie używać tylko zgodnie z jego przeznaczeniem. Każde użycie, odbiegające od opisanego w niniejszej instrukcji jest niezgodne z przeznaczeniem urządzenia. Za powstałe w wyniku niewłaściwego użytkowania szkody lub zranienia odpowiedzialność ponosi użytkownik/ właściciel, a nie producent.

Proszę pamiętać o tym, że nasze urządzenie nie jest przeznaczone do zastosowania zawodowego, rzemieślniczego lub przemysłowego. Umowa gwarancyjna nie obowiązuje, gdy urządzenie było stosowane w zakładach rzemieślniczych, przemysłowych lub do podobnych działalności.

6. Dane techniczne

Napięcie znamionowe:	230-240V~ 50 Hz
Pobór mocy:	1050 W
Liczba obrotów biegu jałowego:	0-1100 min ⁻¹
Liczba udarów:	0-5100 min ⁻¹
Maksymalna średnica wiercenia w betonie/ kamieniu:	Ø 26 mm
Klasa ochrony:	II / □
Waga:	3,6 kg

PL

Hałas i wibracje

Hałas i wibracje zostały zmierzone zgodnie z normą EN 60745.

Poziom ciśnienia akustycznego L_{pA}	91,8 dB(A)
Odchylenie K_{pA}	3 dB
Poziom mocy akustycznej L_{WA}	102,8 dB(A)
Odchylenie K_{WA}	3 dB

Młot udarowy nie jest przeznaczony do użytku na wolnym powietrzu, zgodnie z artykułem 3 dyrektywy 2000/14/EC_2005/88/EC.

Nosić nauszники ochronne.

Oddziaływanie hałasu może spowodować utratę słuchu.

Wartości całkowite drgań (suma wektorowa 3 kierunków) mierzone są zgodnie z normą 60745.

Wiercenie udarowe w betonie

Wartość emisji drgań $a_h = 15,81 \text{ m/s}^2$
Odchylenie $K = 1,5 \text{ m/s}^2$

Dłutowanie

Wartość emisji drgań $a_h = 15,668 \text{ m/s}^2$
Odchylenie $K = 1,5 \text{ m/s}^2$

Ostrzeżenie!

Podana wartość emisji drgań została zmierzona według znormalizowanych procedur i może się zmieniać w zależności od sposobu używania elektronarzędzia, w wyjątkowych przypadkach może wykroczać ponad podaną wartość.

Podana wartość emisji drgań może zostać zastosowana analogicznie do innego elektronarzędzia.

Podana wartość emisji drgań być może używana do wstępnego oszacowania negatywnego oddziaływania.

Ograniczać powstawanie hałasu i wibracji do minimum!

- Używać wyłącznie urządzeń bez uszkodzeń.
- Regularnie czyścić urządzenie.
- Dopasować własny sposób pracy do urządzenia.
- Nie przeciążać urządzenia.
- W razie potrzeby kontrolować urządzenie.
- Nie włączać urządzenia, jeśli nie będzie używane.
- Nosić rękawice ochronne.

7. Przed uruchomieniem

⚠ Uwaga!

Przed podłączeniem urządzenia należy się upewnić, że dane na tabliczce znamionowej urządzenia są zgodne z danymi zasilania.

Przed rozpoczęciem ustawień na urządzeniu zawsze wyciągać wtyczkę z gniazdka.

Za pomocą urządzenia do odszukiwania przewodów zbadać czy w miejscu pracy nie ma ukrytych przewodów elektrycznych, gazowych lub instalacji wodnej.

7.1 Uchwyt dodatkowy (rys. 2-poz. 3)

Młotowiertakę, ze względów bezpieczeństwa, należy używać tylko z uchwytem dodatkowym.

Dodatkowy uchwyt (3) zapewnia dodatkowe oparcie podczas użytkowania maszyny. Nie wolno użytkować urządzenia bez dodatkowego uchwyty (3). Dodatkowy uchwyt (3) mocowany jest do maszyny za pomocą zacisku. Obracanie dodatkowego uchwyty (3) w kierunku zgodnym z ruchem wskazówek zegara powoduje zaciśnięcie zacisku. Obracanie w kierunku przeciwny do ruchu wskazówek zegara zwalnia zacisk.

- Najpierw należy zamontować dodatkowy uchwyt (3) wchodzący w skład kompletu. W tym celu należy przez obracanie dodatkowego uchwyty (3) rozewrzeć dostatecznie szeroko zacisk, aby umożliwić nasunięcie uchwyty na urządzenie.

- Po nasunięciu dodatkowego uchwytu (3) należy go ustawić w najwygodniejszej dla użytkownika pozycji roboczej.
- Następnie dokręcić dodatkowy uchwyt (3) w odwrotnym kierunku, aż zostanie zamocowany na stałe.
- Uchwyt dodatkowy (3) przeznaczony jest dla osób lewo- oraz praworęcznych.

7.2 Ogranicznik głębokości (rys. 3-poz. 13)

Ogranicznik głębokości (13) zostaje przytrzymany na uchwycie dodatkowym (3) za pomocą śruby unieruchamiającej (4).

- Poluzować śrubę unieruchamiającą (4) i włożyć ogranicznik głębokości (13).
- Ustawić ogranicznik głębokości (13) na równym poziomie z wiertłem.
- Pociągnąć ogranicznik głębokości (13) o wymaganą głębokość wiercenia.
- Ponownie przykręcić śrubę mocującą (4).
- Wiercić otwór, aż ogranicznik głębokości (13) dotknie obrabiany przedmiot.
- Ogranicznik głębokości (13) wyposażony jest w zapadkę, która podczas pracy chroni przed przesuwaniem się ogranicznika głębokości (13).

7.3 Wkładanie narzędzia (rys. 4)

- Przed włożeniem wyczyścić narzędzie i lekko nasmarować chwyt narzędzia smarem.
- Pociągnąć do tyłu tulejkę blokującą (2) i zatrzymać.
- Obracając oczyszczony z pyłu narzędzie wsunąć je do oporu do uchwytu wiertarskiego. Narzędzie w uchwycie blokuje się samoczynnie po zwolnieniu tulei blokującej.
- Poprzez pociągnięcie narzędzia sprawdzić, czy jest zablokowane.

7.4 Wyjmowanie narzędzia (rys. 5)

Pociągnąć do tyłu tulejkę blokującą (2), zatrzymać i wyjąć narzędzie.

7.5 Element zbierający kurz (rys. 8)

Przed wierceniem udarowym należy wsunąć prostopadle do głowicy, przez wiertło element zbierający kurz (15).

7.6 Wkładanie dodatkowego uchwytu szybko mocującego (rys. 4)

- Przed włożeniem uchwytu szybko mocującego wyczyścić narzędzie i lekko nasmarować chwyt narzędzia smarem.
- Pociągnąć do tyłu tulejkę blokującą (2) i przytrzymać.
- Wolny od kurzu uchwyt szybko mocujący obracając wsunąć w chwyt narzędzia, aż do oporu. Uchwyt szybko mocujący sam się zablokuje, po tym jak tulejka blokująca zostanie puszczona.
- Pociągając uchwyt szybko mocujący (14) sprawdzić, czy jest zablokowany.

7.7 Wyciąganie dodatkowego uchwytu szybko mocującego (rys. 5)

Pociągnąć do tyłu tulejkę blokującą (2), zatrzymać i wyjąć uchwyt szybko mocujący.

7.8 Zakładanie wiertła do uchwytu szybko mocującego (rys. 6-7)

⚠ Uwaga!

- Przed rozpoczęciem ustawiania urządzenia zawsze wyciągać wtyczkę z gniazdka.
- Odkręcić ogranicznik głębokości (13), tak jak opisano w punkcie 7.2 i przesunąć w kierunku uchwytu wiertła.
- Tym sposobem uzyskuje się dostęp do uchwytu wiertarskiego (14).
- Odkręcić uchwyt wiertarski (14). Otwór na wiertło musi być na tyle duży, by uchwycić wiertło.
- Wybrać odpowiednie wiertło. Wsunąć narzędzie do otworu uchwytu szybko mocującego tak daleko jak to możliwe.
- Dokręcić uchwyt wiertarski (14). Sprawdzić, czy wiertło jest solidnie osadzone w uchwycie wiertarskim (14).
- W regularnych odstępach sprawdzać mocowanie wiertła, ewentualnie narzędzia (Wyciągnąć wtyczkę z sieci!).

PL

8. Uruchamianie

⚠ Uwaga!

W celu uniknięcia zagrożenia, należy trzymać urządzenie obiema rękami za uchwyty (3/6). W innym przypadku przy przewierceniu przewodów może powstać zagrożenie porażenia prądem!

8.1 Wskaźnik działania akumulatora (rys. 1/poz. 11)

Gdy włożona jest wtyczka sieciowa świeci wskaźnik działania akumulatora (11)

8.2 Włącznik/ wyłącznik (rys. 9/ poz. 10)

- Najpierw włożyć odpowiednie wiertło do urządzenia (patrz. 7.3).
- Dopiero wtedy włożyć wtyczkę do odpowiedniego gniazdka.
- Ustawić wiertarkę udarową bezpośrednio na wierconym miejscu.

Włączanie:

Wcisnąć włącznik/ wyłącznik (Rys. 10)

Wyłączanie:

Zwolnić włącznik/wyłącznik (10).

Włączanie pracy ciągłej:

Włącznik/ wyłącznik (10) zabezpieczyć przyciskiem blokującym (8). Uwaga! Zablockowanie możliwe jest tylko przy obrotach w prawo.

Wyłączanie pracy ciągłej:

Wcisnąć na chwilę włącznik/ wyłącznik (10).

8.3 Ustawianie liczby obrotów (rys. 9/ poz.10)

- Liczbą obrotów można sterować bezstopniowo podczas pracy.
- Poprzez mocniejsze lub słabsze przyciśnięcie włącznika/ wyłącznika (10) wybiera się liczbę obrotów.
- Wybór właściwej liczby obrotów. Najczęściej odpowiednia liczba obrotów zależy od obrabianego przedmiotu, od rodzaju pracy i użytych wiertel.
- Słabsze przyciśnięcie włącznika/

wyłącznika (10): niższe obroty

- Mocniejsze przyciśnięcie włącznika/ wyłącznika (10): wyższe obroty

Wskazówka: Wiercić otwory za pomocą niskiej liczby obrotów. Stopniowo zwiększać liczbę obrotów.

Zalety:

- Wiertło kontroluje się łatwiej przy nawiercaniu i nie zsuwa się.
- Uniknie się wtedy rozproszonych otworów (np. w przypadku kafla).

8.4 Ustawianie liczby obrotów (rys. 9/ poz. 9)

- Nie przeprowadzać ustawień podczas wiercenia.
- Regulator liczby obrotów (9) umożliwia zdefiniowanie maksymalnej liczby obrotów. Włącznik/ wyłącznik (10) może być dociśnięty tylko do podanej maksymalnej liczby obrotów.
- Ustawić liczbę obrotów na włączniku/ wyłączniku (10) za pomocą pierścienia nastawczego (9).

8.5 Przełącznik obrotów lewo/prawo (rys. 9/poz. 7)

- **Przełączać tylko wtedy, gdy urządzenie jest zatrzymane!**
- Za pomocą przełącznika obrotów lewo/prawo (7) ustawić kierunek obrotów wiertła:

Kierunek obrotów

Obroty w prawo
(do przodu i wiercenie)

Pozycja przełącznika

Wciśnięty w lewo

Obroty w lewo
(obrót powrotny)

Wciśnięty w prawo

8.6 Przetącnik wiercenie/ wiercenie udarowe / dtutowanie (rys. 10)

Uwaga!

Jeśli zamontowany jest szybkoocucjący uchwyt wiertarski (14), to funkcje wiercenie z udarem/kucie nie są dostępne.

- Do celów wiercenia wcisnąć przycisk (E) na przetącniku (5) i jednocześnie obrócić przetącnik (5) do położenia A.
- Do celów wiercenia udarowego wcisnąć przycisk (E) na przetącniku (5) i jednocześnie obrócić przetącnik (5) do położenia B.
- Do celów dtutowania wcisnąć przycisk (E) na przetącniku (5) i jednocześnie obrócić przetącnik (5) do położenia C. W położeniu C przecinak jest niezablokowany.
- Do celów dtutowania wcisnąć przycisk (E) na przetącniku (5) i jednocześnie obrócić przetącnik (5) do położenia D. W położeniu D przecinak jest zablokowany.

Uwaga!

Do wiercenia udarowego potrzebna jest tylko nieznaczna siła nacisku. Za duży nacisk niepotrzebnie obciąża silnik. Sprawdzać regularnie wiertło. Tępe wiertło wymienić lub przeszlifować.

9. Wymiana przewodu zasilającego

W razie uszkodzenia przewodu zasilającego, przewód musi być wymieniony przez autoryzowany serwis lub osobę posiadającą podobne kwalifikacje, aby uniknąć niebezpieczeństwa.

10. Czyszczenie, konserwacja i zamawianie części zamiennych

⚠ Uwaga!

Przed rozpoczęciem jakichkolwiek prac związanych z czyszczeniem wyciągnąć wtyczkę z gniazdka.

10.1 Czyszczenie

- Urządzenia zabezpieczające, szczeliny powietrza i obudowa silnika powinny być w miarę możliwości zawsze wolne od pyłu i zanieczyszczeń. Urządzenie wycierać czystą ściereczką lub przedmuchać sprężonym powietrzem o niskim ciśnieniu.
- Zaleca się czyszczenie urządzenia bezpośrednio po każdorazowym użyciu.
- Urządzenie czyścić regularnie wilgotną ściereczką z niewielką ilością szarego mydła. Nie używać żadnych środków czyszczących ani rozpuszczalników; mogą one uszkodzić części urządzenia wykonane z tworzywa sztucznego. Należy uważać, aby do wnętrza urządzenia nie dostała się woda.

10.2 Szczotki węglowe

W razie nadmiernego iskrzenia lub zapalenia się kontrolki zużycia szczotek węglowych (12) należy sprawdzić szczotki węglowe u uprawnionego elektryka.

10.3 Konserwacja

We wnętrzu urządzenia nie ma części wymagających konserwacji.

10.4 Zamawianie części wymiennych:

Podczas zamawiania części zamiennych należy podać następujące dane:

- Typ urządzenia
 - Numer artykułu urządzenia
 - Numer identyfikacyjny urządzenia
- Aktualne ceny artykułów i informacje znajdują się na stronie: www.isc-gmbh.info

PL

11. Usuwanie odpadów i recycling

Aby zapobiec uszkodzeniom podczas transportu urządzenie znajduje się w opakowaniu. Opakowanie to jest surowcem, który można użytkować ponownie lub można przeznaczyć do powtórnego przerobu.

Urządzenie oraz jego osprzęt składają się z różnych rodzajów materiałów, jak np. metal i tworzywa sztuczne. Uszkodzone elementy urządzenia proszę dostarczyć do punktu zbiorczego surowców wtórnych. Proszę poprosić o informację w sklepie specjalistycznym bądź w placówce samorządu lokalnego!



Tylko dla krajów UE

Zabrania się wyrzucania elektronarzędzi na śmieci.

Zgodnie z Europejską Dyrektywą 2002/96/WE o przeznaczonych na złomowanie elektronarzędziach i sprzęcie elektronicznym oraz jej konwersji na prawo krajowe, elektronarzędzia należy zbierać osobno i oddać do punktu zbiórki surowców wtórnych.

Recykling jako alternatywa wobec obowiązku zwrotu urządzenia:

Alternatywnie do obowiązku zwrotu urządzenia elektrycznego po zakończeniu jego użytkowania, właściciel jest zobowiązany do współuczestnictwa w jego prawidłowej utylizacji. Wycofane z eksploatacji urządzenie można oddać również do punktu zbiórki surowców wtórnych, który przeprowadzi utylizację zgodnie z krajowymi przepisami o odpadach i wykorzystaniu surowców wtórnych. Nie dotyczy to osprzętu należącego do wyposażenia urządzenia i środków pomocniczych nie zawierających elementów elektrycznych.

12. Deklaracija zgodnošci z normami

Einhell Germany AG · Wiesenweg 22 · D-94405 Landau/Isar



Konformitätserklärung

- erklärt folgende Konformität gemäß EU-Richtlinie und Normen für Artikel
 explains the following conformity according to EU directives and norms for the following product
 déclare la conformité suivante selon la directive CE et les normes concernant l'article
 dichiara la seguente conformità secondo la direttiva UE e le norme per l'articolo
 verklaart de volgende overeenstemming conform EU richtlijn en normen voor het product
 declara la siguiente conformidad a tenor de la directiva y normas de la UE para el artículo
 declara a seguinte conformidade, de acordo com a directiva CE e normas para o artigo
 atterer følgende overensstemmelse i medfør af EU-direktiv samt standarder for artikel
 förklarar följande överensstämmelse enl. EU-direktiv och standarder för artikeln
 vakuuttaa, että tuote täyttää EU-direktiivin ja standardien vaatimukset
 tõendab toote vastavust EL direktiivile ja standarditele
 vydává následující prohlášení o shodě podle směrnice EU a norem pro výrobek
 potrjuje sledečo skladnost s smernico EU in standardi za izdelek
 vydáva nasledujúce prehlásenie o zhode podľa smernice EÚ a noriem pre výrobok
 a cikkekhez az EU-irányvonal és Normák szerint a következő konformitást jelenti ki
 deklaruje zgodność wymienionego poniżej artykułu z następującymi normami na podstawie dyrektywy WE.
 декларира съответното съответствие съгласно Директива на ЕС и норми за артикул
 paskaidro šādu atbilstību ES direktīvai un standartiem
 aribūdina šj atitikimā EU reikalavimams ir prekės normoms
 declară următoarea conformitate conform directivei UE și normelor pentru articolul
 δηλώνει την ακόλουθη συμμόρφωση σύμφωνα με την Οδηγία ΕΚ και τα πρότυπα για το προϊόν
 potvrđuje sljedeću usklađenost prema smjernicama EU i normama za artikl
 Izjava o sukladnosti za ovaj proizvod dostupna je na internet stranici www.lidl.hr.
 potvrđuje sljedeću usklađenost prema smjernicama EU i normama za artikl
 potvrđuje sledeću usklađenost prema smernicama EZ i normama za artikal
 следующим удостоверяется, что следующие продукты соответствуют директивам и нормам ЕС
 проголошує про зазначену нижче відповідність виробу директивам та стандартам ЄС на виріб
 Ürünü ile ilgili AB direktifleri ve normları gereğince aşağıda açıklanan uygunluğu belirtir
 erklærer følgende samsvar i henhold til EU-direktivet og standarder for artikkel
 Lýsir uppfyllingu EU-reglna og annarra staða vöru

Bohrhammer PBH 1100 A1 (Parkside)

- | | |
|---|--|
| <input type="checkbox"/> 87/404/EC_2009/105/EC | <input checked="" type="checkbox"/> 2006/42/EC |
| <input type="checkbox"/> 2005/32/EC_2009/125/EC | <input type="checkbox"/> Annex IV
Notified Body:
Notified Body No.:
Reg. No.: |
| <input type="checkbox"/> 2006/95/EC | |
| <input type="checkbox"/> 2006/28/EC | |
| <input checked="" type="checkbox"/> 2004/108/EC | <input type="checkbox"/> 2000/14/EC_2005/88/EC |
| <input type="checkbox"/> 2004/22/EC | <input type="checkbox"/> Annex V |
| <input type="checkbox"/> 1999/5/EC | <input type="checkbox"/> Annex VI
Noise: measured L_{WA} = dB (A); guaranteed L_{WA} = dB (A)
P = KW; L/Ø = cm
Notified Body: |
| <input type="checkbox"/> 97/23/EC | |
| <input type="checkbox"/> 90/396/EC_2009/142/EC | |
| <input type="checkbox"/> 89/686/EC_96/58/EC | <input type="checkbox"/> 2004/26/EC
Emission No.: |
| <input checked="" type="checkbox"/> 2011/65/EC | |

Standard references: EN 60745-1; EN 60745-2-6; EN 55014-1;
EN 55014-2; EN 61000-3-2; EN 61000-3-3

Landau/Isar, den 21.09.2011

Weichselgartner/General Manager

Unger/Product-Management

First CE: 08
Art.-No.: 42.583.76 I.-No.: 11031
Subject to change without notice

Archive-File/Record: NAPR004729
Documents registrar: Georg Riedel
Wiesenweg 22, D-94405 Landau/Isar

PL

13. Świadcstwo gwarancyjne

Na opisywane w instrukcji obsługi urządzenie udzielamy 3-letniej gwarancji, na wypadek wadliwości naszego produktu. 3-letni okres gwarancyjny zaczyna obowiązywać w momencie przejścia ryzyka lub przejęcia urządzenia przez klienta.

Warunkiem skorzystania z uprawnień gwarancyjnych jest prawidłowa konserwacja urządzenia, zgodnie z instrukcją obsługi oraz użytkowanie zgodne z przeznaczeniem.

Oczywiście w okresie tych 3 lat przysługują Państwu również uprawnienia gwarancyjne w ramach ustawowej rękojmi.

Gwarancja obowiązuje na terenie Republiki Federalnej Niemiec lub w kraju generalnego przedstawiciela handlowego, jako uzupełnienie obowiązujących lokalnie przepisów ustawowych. Prosimy zwrócić się do odpowiedzialnego pracownika w regionalnym dziale obsługi klienta lub pod podany poniżej adres serwisu technicznego.

Einhell Polska sp. z.o.o.
Ul. Wymysłowskiego 1
PL-55-080 Nowa Wieś Wrocłaska
tel. +48 71 3603071, 76, 77, 78, 81, 85
fax +48 71 3603066
e-mail: serwis@einhell.pl

Inhaltsverzeichnis	Seite
1. Einleitung	83
2. Sicherheitshinweise	83-86
3. Gerätebeschreibung	86
4. Lieferumfang	86
5. Bestimmungsgemäße Verwendung	86-87
6. Technische Daten	87
7. Vor Inbetriebnahme	88-89
8. Inbetriebnahme	89-90
9. Austausch der Netzanschlussleitung	90
10. Reinigung, Wartung und Ersatzteilbestellung	91
11. Entsorgung und Wiederverwertung	91
12. Konformitätserklärung	92
13. Garantieurkunde	93

Der Nachdruck oder sonstige Vervielfältigung von Dokumentation und Begleitpapieren der Produkte, auch auszugsweise ist nur mit ausdrücklicher Zustimmung der ISC GmbH zulässig.

Technische Änderungen vorbehalten

DE/AT/
CH

Zusätzliche Sicherheitshinweise



“WARNUNG - Zur Verringerung des Verletzungsrisikos Bedienungsanleitung lesen”



Tragen Sie einen Gehörschutz.

Die Einwirkung von Lärm kann Hörverlust bewirken.



Tragen Sie eine Staubschutzmaske.

Beim Bearbeiten von Holz und anderer Materialien kann gesundheitsschädlicher Staub entstehen. Asbesthaltiges Material darf nicht bearbeitet werden!



Tragen Sie eine Schutzbrille.

Während der Arbeit entstehende Funken oder aus dem Gerät heraustretende Splitter, Späne und Stäube können Sichtverlust bewirken.

1



2



Um eine Beschädigung des Gerätes zu vermeiden, soll die Umschaltung zwischen den einzelnen Funktionen nur im Stillstand erfolgen.

1. Einleitung

⚠ Achtung!

Beim Benutzen von Geräten müssen einige Sicherheitsvorkehrungen eingehalten werden, um Verletzungen und Schäden zu verhindern. Lesen Sie diese Bedienungsanleitung / Sicherheitshinweise deshalb sorgfältig durch. Bewahren Sie diese gut auf, damit Ihnen die Informationen jederzeit zur Verfügung stehen. Falls Sie das Gerät an andere Personen übergeben sollten, händigen Sie diese Bedienungsanleitung / Sicherheitshinweise bitte mit aus. Wir übernehmen keine Haftung für Unfälle oder Schäden, die durch Nichtbeachten dieser Anleitung und den Sicherheitshinweisen entstehen.

2. Sicherheitshinweise

⚠ WARNUNG

Lesen Sie alle Sicherheitshinweise und Anweisungen. Versäumnisse bei der Einhaltung der Sicherheitshinweise und Anweisungen können elektrischen Schlag, Brand und/oder schwere Verletzungen verursachen. **Bewahren Sie alle Sicherheitshinweise und Anweisungen für die Zukunft auf.**

Der in den Sicherheitshinweisen verwendete Begriff „Elektrowerkzeug“ bezieht sich auf netzbetriebene Elektrowerkzeuge (mit Netzkabel) und auf akkubetriebene Elektrowerkzeuge (ohne Netzkabel).

1. Arbeitsplatzsicherheit

- **Halten Sie Ihren Arbeitsbereich sauber und gut beleuchtet.** Unordnung oder unbeleuchtete Arbeitsbereiche können zu Unfällen führen.
- **Arbeiten Sie mit dem Elektrowerkzeug nicht in explosionsgefährdeter Umgebung, in der sich brennbare Flüssigkeiten, Gase oder Stäube befinden.**
Elektrowerkzeuge erzeugen Funken, die den Staub oder die Dämpfe entzünden

können.

- **Halten Sie Kinder und andere Personen während der Benutzung des Elektrowerkzeuges fern.**
Bei Ablenkung können Sie die Kontrolle über das Gerät verlieren.

2. Elektrische Sicherheit

- **Der Anschlussstecker des Elektrowerkzeuges muss in die Steckdose passen. Der Stecker darf in keiner Weise verändert werden. Verwenden Sie keine Adapterstecker gemeinsam mit geschützten Elektrowerkzeugen.**
Unveränderte Stecker und passende Steckdosen verringern das Risiko eines elektrischen Schlages.
- **Vermeiden Sie Körperkontakt mit geerdeten Oberflächen, wie von Rohren, Heizungen, Herden und Kühlschränken.**
Es besteht ein erhöhtes Risiko durch elektrischen Schlag, wenn Ihr Körper geerdet ist.
- **Halten Sie Elektrowerkzeuge von Regen oder Nässe fern.**
Das Eindringen von Wasser in ein Elektrogerät erhöht das Risiko eines elektrischen Schlages.
- **Zweckentfremden Sie das Kabel nicht, um das Elektrowerkzeug zu tragen, aufzuhängen oder um den Stecker aus der Steckdose zu ziehen. Halten Sie das Kabel fern von Hitze, Öl, scharfen Kanten oder sich bewegenden Geräteteilen.**
Beschädigte oder verwickelte Kabel erhöhen das Risiko eines elektrischen Schlages.
- **Wenn Sie mit einem Elektrowerkzeug im Freien arbeiten, verwenden Sie nur Verlängerungskabel, die auch für den Außenbereich geeignet sind.**
Die Anwendung eines für den Außenbereich geeigneten Verlängerungskabels verringert das Risiko eines elektrischen Schlages.
- **Wenn der Betrieb des Elektrowerkzeuges in feuchter Umgebung nicht vermeidbar ist, verwenden Sie einen**

DE/AT/
CH**Fehlerstromschutzschalter.**

Der Einsatz eines Fehlerstromschutzschalters vermindert das Risiko eines elektrischen Schlags.

3. Sicherheit von Personen

- **Seien Sie aufmerksam, achten Sie darauf, was Sie tun, und gehen Sie mit Vernunft an die Arbeit mit einem Elektrowerkzeug. Benutzen Sie kein Elektrowerkzeug, wenn Sie müde sind oder unter Einfluss von Drogen, Alkohol oder Medikamenten stehen.**

Ein Moment der Unachtsamkeit beim Gebrauch des Elektrowerkzeuges kann zu ernsthaften Verletzungen führen.

- **Tragen Sie persönliche Schutzausrüstung und immer eine Schutzbrille.**
Das Tragen persönlicher Schutzausrüstung, wie Staubmaske, rutschfeste Sicherheitsschuhe, Schutzhelm oder Gehörschutz, je nach Art und Einsatz des Elektrowerkzeuges, verringert das Risiko von Verletzungen.
- **Vermeiden Sie eine unbeabsichtigte Inbetriebnahme. Vergewissern Sie sich, dass das Elektrowerkzeug ausgeschaltet ist, bevor Sie es an die Stromversorgung und/oder den Akku anschließen, es aufnehmen oder tragen.**
Wenn Sie beim Tragen des Elektrowerkzeuges den Finger am Schalter haben oder das Gerät eingeschaltet an die Stromversorgung anschließen, kann dies zu Unfällen führen.
- **Entfernen Sie Einstellwerkzeuge oder Schraubenschlüssel, bevor Sie das Elektrowerkzeug einschalten.**
Ein Werkzeug oder Schlüssel, der sich in einem drehenden Geräteteil befindet, kann zu Verletzungen führen.
- **Vermeiden Sie eine abnormale Körperhaltung. Sorgen Sie für einen sicheren Stand und halten Sie jederzeit das Gleichgewicht.**
Dadurch können Sie das Elektrowerkzeug in unerwarteten Situationen besser kontrollieren.
- **Tragen Sie geeignete Kleidung. Tragen Sie keine weite Kleidung oder Schmuck.**

Halten Sie Haare, Kleidung und Handschuhe fern von sich bewegenden Teilen.

Lockere Kleidung, Schmuck oder lange Haare können von sich bewegenden Teilen erfasst werden.

- **Wenn Staubabsaugerinnenrichtungen und Staubauffänger montiert werden können, vergewissern Sie sich, dass diese angeschlossen sind und richtig verwendet werden.**
Verwendung einer Staubabsaugung kann Gefährdungen durch Staub verringern.
- 4. Verwendung und Behandlung des Elektrowerkzeuges**
- **Überlasten Sie das Gerät nicht. Verwenden Sie für Ihre Arbeit das dafür bestimmte Elektrowerkzeug.**
Mit dem passenden Elektrowerkzeug arbeiten Sie besser und sicherer im angegebenen Leistungsbereich.
 - **Benutzen Sie kein Elektrowerkzeug, dessen Schalter defekt ist.**
Ein Elektrowerkzeug, das sich nicht mehr ein- oder ausschalten lässt, ist gefährlich und muss repariert werden.
 - **Ziehen Sie den Stecker aus der Steckdose und/oder entfernen Sie den Akku, bevor Sie Geräteeinstellungen vornehmen, Zubehörteile wechseln oder das Gerät weglegen.**
Diese Vorsichtsmaßnahme verhindert den unbeabsichtigten Start des Elektrowerkzeuges.
 - **Bewahren Sie unbenutzte Elektrowerkzeuge außerhalb der Reichweite von Kindern auf. Lassen Sie Personen das Gerät nicht benutzen, die mit diesem Gerät nicht vertraut sind oder diese Anweisungen nicht gelesen haben.**
Elektrowerkzeuge sind gefährlich, wenn sie von unerfahrenen Personen benutzt werden.
 - **Pflegen Sie Elektrowerkzeuge mit Sorgfalt. Kontrollieren Sie, ob bewegliche Teile einwandfrei funktionieren und nicht klemmen, ob Teile gebrochen oder so beschädigt sind, dass die Funktion des**

Elektrowerkzeuges beeinträchtigt ist. Lassen Sie beschädigte Teile vor dem Einsatz des Gerätes reparieren.

Viele Unfälle haben ihre Ursache in schlecht gewarteten Elektrowerkzeugen.

- **Halten Sie Ihre Schneidwerkzeuge scharf und sauber.**
Sorgfältig gepflegte Schneidwerkzeuge mit scharfen Schneidkanten verklemmen sich weniger und sind leichter zu führen.
- **Verwenden Sie Elektrowerkzeug, Zubehör, Einsatzwerkzeuge usw. entsprechend diesen Anweisungen. Berücksichtigen Sie dabei die Arbeitsbedingungen und die auszuführende Tätigkeit.**
Der Gebrauch von Elektrowerkzeugen für andere als die vorgesehenen Anwendungen kann zu gefährlichen Situationen führen.

5. Service

- **Lassen Sie Ihr Elektrowerkzeug nur von qualifiziertem Fachpersonal und nur mit Original-Ersatzteilen reparieren.**
Damit wird sichergestellt, dass die Sicherheit des Elektrowerkzeuges erhalten bleibt.

Sicherheitshinweise für Hämmer

- **Tragen Sie Gehörschutz.** Die Einwirkung von Lärm kann Hörverlust bewirken.
- **Benutzen Sie die mit dem Gerät gelieferten Zusatzhandgriffe.** Der Verlust der Kontrolle kann zu Verletzungen führen.
- **Halten Sie das Gerät an den isolierten Griffflächen, wenn Sie Arbeiten ausführen, bei denen das Einsatzwerkzeug verborgene Stromleitungen oder das eigene Netzkabel treffen kann.** Der Kontakt mit einer spannungsführenden Leitung kann auch metallene Geräteteile unter Spannung setzen und zu einem elektrischen Schlag führen.

spezielle Sicherheitshinweise für Bohr- und Meißelhammer

- Prüfen Sie die auf dem Typenschild angegebene Spannung (Volt).
- Bei Verwendung von Leitungsrollern, Leitung vollständig abrollen.
Drahtquerschnitt mind. 1,5 mm².
- Achten Sie auf einen sicheren Stand auf Leitern oder Gerüsten bei freihändigem Bohren.
- In Wänden, wo Strom-, Wasser- oder Gasleitungen unsichtbar verlegt sind, zuerst die Leitungen mit einem Leitungssuchgerät lokalisieren. Berührung mit stromführenden Teilen oder Leitern vermeiden.
- Tragen Sie zum Schutze Ihrer Ohren einen Gehörschutz: schleichender Hörverlust!
- Tragen Sie eine Schutzbrille und verwenden Sie eine Staubmaske bei stauberzeugenden Arbeiten.
- Nicht im Bereich von Dämpfen oder brennbaren Flüssigkeiten verwenden.
- Ziehen Sie bei allen Umbau- und Reinigungsarbeiten den Stecker aus der Steckdose.
- Schützen Sie die Netzleitung vor Beschädigungen. Öl und Säure können die Leitung beschädigen.
- Maschine nicht überlasten.
- Wichtig!
Alle nationalen Sicherheitsvorschriften bezüglich Installation, Betrieb und Wartung sind zu befolgen.
- Meißel und Bohrer können versehentlich aus dem Werkzeug geschleudert werden und schwere Verletzungen verursachen:
 - Vor dem Arbeitseinsatz immer nachprüfen, dass Meißel oder Bohrer im Werkzeughalter arretiert sind.
 - Werkzeughalter regelmäßig auf Abnutzung oder Beschädigung kontrollieren.
- Ein schlagendes Werkzeug nur starten, wenn es gegen ein Werkstück (Wand, Decke usw.) gedrückt wird.
- Nach beendeter Arbeit den Bohr-Meißelhammer vom Stromnetz trennen und Meißel oder Bohrer aus dem Werkzeug nehmen.
- Vor dem Wechsel von Meißel oder Bohrer

DE/AT/
CH

den Bohr-Meißelhammer immer vom Netz trennen.

- Schützen Sie Augen und Mitarbeiter vor Teilchenflug und absplitternde Fremdkörper. Schutzhelm tragen! Trennwände aufstellen!
- Arbeitshandschuhe schützen vor Hautabschürfungen.
- Vibrationen können für das Hand-Arm-System schädlich sein: die Einwirkzeit von Vibrationen ist so gering wie möglich zu halten.
- Netzkabel immer nach hinten vom Gerät wegführen.
- Bewahren Sie das Gerät so auf, dass es für Kinder unzugänglich ist.
- Beim Arbeiten Gerät immer mit beiden Händen halten und auf einen sicheren Stand achten.
- Vor der Materialbearbeitung ist darauf zu achten, dass am Gerät die richtige Schalterposition, für die durchzuführende Bearbeitung eingestellt ist. Da ansonsten eine Körperverletzungsgefahr beim Anlaufen der Maschine droht.

Bewahren Sie die Sicherheitshinweise gut auf.

3. Gerätebeschreibung (Bild 1)

1. Staubschutz
2. Verriegelungshülse
3. Zusatzhandgriff
4. Feststellschraube für Tiefenanschlag
5. Umschalter Bohren/Schlagbohren/Meißeln
6. Handgriff
7. Rechts-/Linkslauf-Umschalter
8. Feststellknopf
9. Drehzahl-Regler
10. Ein-/ Ausschalter
11. Betriebsanzeige
12. Anzeige für Kohlebürstenverschleiß
13. Tiefenanschlag
14. Zusätzliches Schnellspannbohrfutter
15. Staubaufnahme-Vorrichtung

4. Lieferumfang

Nehmen Sie alle Teile aus der Verpackung und überprüfen Sie diese auf Vollständigkeit.

- Bohr-Meißelhammer PBH 1100 A1
- Zusatzhandgriff
- Tiefenanschlag
- Bohrer für Stein (6, 8, 10 mm)
- Spitzmeißel - Flachmeißel
- zusätzliches Schnellspannbohrfutter
- Staubaufnahme-Vorrichtung
- Bedienungsanleitung


5. Bestimmungsgemäße Verwendung

Das Gerät ist bestimmt zum Hammerbohren in Beton, Gestein und Ziegel und für Meißelarbeiten unter Verwendung des entsprechenden Bohrers oder Meißels.

Die Maschine darf nur nach ihrer Bestimmung verwendet werden. Jede weitere darüber hinausgehende Verwendung ist nicht bestimmungsgemäß. Für daraus hervorgerufene Schäden oder Verletzungen aller Art haftet der Benutzer/Bediener und nicht der Hersteller.

Bitte beachten Sie, dass unsere Geräte bestimmungsgemäß nicht für den gewerblichen, handwerklichen oder industriellen Einsatz konstruiert wurden. Wir übernehmen keine Gewährleistung, wenn das Gerät in Gewerbe-, Handwerks- oder Industriebetrieben sowie bei gleichzusetzenden Tätigkeiten eingesetzt wird.

6. Technische Daten

Netzspannung:	230-240 V~ 50 Hz
Leistungsaufnahme:	1050 W
Leerlauf-Drehzahl:	0-1100 min ⁻¹
Schlagzahl:	0-5100 min ⁻¹
Bohrleistung Beton/Stein (max.):	Ø 26 mm
Schutzklasse:	II / 
Gewicht:	3,6 kg

Geräusch und Vibration

Die Geräusch- und Vibrationswerte wurden entsprechend EN 60745 ermittelt.

Schalldruckpegel L_{pA}	91,8 dB(A)
Unsicherheit K_{pA}	3 dB
Schallleistungspegel L_{WA}	102,8 dB(A)
Unsicherheit K_{WA}	3 dB

Der Bohrhämmer ist nicht für die Verwendung im Freien, entsprechend Artikel 3 der Richtlinie 2000/14/EC_2005/88/EC vorgesehen.

Tragen Sie einen Gehörschutz.

Die Einwirkung von Lärm kann Hörverlust bewirken.

Schwingungsgesamtwerte (Vektorsumme dreier Richtungen) ermittelt entsprechend EN 60745.

Bohrhämmern in Beton

Schwingungsemissionswert $a_n = 15,81 \text{ m/s}^2$

Unsicherheit $K = 1,5 \text{ m/s}^2$

Meißeln

Schwingungsemissionswert $a_n = 15,668 \text{ m/s}^2$

Unsicherheit $K = 1,5 \text{ m/s}^2$

Warnung!

Der angegebene Schwingungsemissionswert ist nach einem genormten Prüfverfahren gemessen worden und kann sich, abhängig von der Art und Weise, in der das Elektrowerkzeug verwendet wird, ändern und in Ausnahmefällen über dem angegebenen Wert liegen.

Der angegebene Schwingungsemissionswert kann zum Vergleich eines Elektrowerkzeuges mit einem anderen verwendet werden.

Der angegebene Schwingungsemissionswert kann auch zu einer einleitenden Einschätzung der Beeinträchtigung verwendet werden.

Beschränken Sie die Geräuschentwicklung und Vibration auf ein Minimum!

- Verwenden Sie nur einwandfreie Geräte.
- Warten und reinigen Sie das Gerät regelmäßig.
- Passen Sie Ihre Arbeitsweise dem Gerät an.
- Überlasten Sie das Gerät nicht.
- Lassen Sie das Gerät gegebenenfalls überprüfen.
- Schalten Sie das Gerät aus, wenn es nicht benutzt wird.
- Tragen Sie Handschuhe.

7. Vor Inbetriebnahme

⚠ Achtung!

Überzeugen Sie sich vor dem Anschließen, dass die Daten auf dem Typenschild mit den Netzdaten übereinstimmen.

Ziehen Sie immer den Netzstecker, bevor Sie Einstellungen am Gerät vornehmen.

Einsatzstelle nach verdeckt liegenden elektrischen Leitungen, Gas- und Wasserrohren mit einem Leitungssuchgerät untersuchen.

7.1 Zusatzgriff (Abb. 2 – Pos. 3) Bohr-Meißelhammer aus Sicherheitsgründen nur mit dem Zusatzgriff verwenden.

Der Zusatzhandgriff (3) bietet Ihnen während der Benutzung der Maschine zusätzlichen Halt. Benutzen Sie das Gerät daher nicht ohne den Zusatzhandgriff (3). Befestigt wird der Zusatzhandgriff (3) an der Maschine durch Klemmung. Durch Drehen des Zusatzhandgriffes (3) im Uhrzeigersinn wird die Klemmung angezogen. Drehen gegen den Uhrzeigersinn löst die Klemmung.

- Der beiliegende Zusatzhandgriff (3) muss zunächst montiert werden. Hierzu ist durch Drehen des Zusatzhandgriffes (3) die Klemmung weit genug zu öffnen, damit der Zusatzhandgriff (3) über die Maschine geschoben werden kann.
- Nach dem Aufschieben des Zusatzhandgriffes (3) schwenken Sie diesen in die für Sie angenehmste Arbeitsposition.
- Jetzt den Zusatzhandgriff (3) in entgegengesetzter Drehrichtung wieder zudrehen, bis der Zusatzhandgriff (3) fest sitzt.
- Der Zusatzhandgriff (3) ist für Rechtshänder ebenso wie für Linkshänder geeignet.

7.2 Tiefenanschlag (Abb. 3 – Pos. 13)

Der Tiefenanschlag (13) wird mit der Feststellschraube (4) am Zusatzhandgriff (3) durch Klemmung gehalten.

- Lösen Sie die Feststellschraube (4) und setzen Sie den Tiefenanschlag (13) ein.
- Bringen Sie den Tiefenanschlag (13) auf gleiche Ebene zum Bohrer.
- Ziehen Sie den Tiefenanschlag (13) um die gewünschte Bohrtiefe zurück.
- Ziehen Sie die Feststellschraube (4) wieder fest.
- Bohren Sie nun das Loch, bis der Tiefenanschlag (13) das Werkstück berührt.
- Der Tiefenanschlag (13) ist mit einer Rasterung ausgestattet, die im Einsatz ein Verschieben des Tiefenanschlages (13) verhindert.

7.3 Werkzeug einsetzen (Abb. 4)

- Werkzeug vor dem Einsetzen reinigen und Werkzeug-Schaft mit Bohrerfett leicht fetten.
- Verriegelungshülse (2) zurückziehen und festhalten.
- Staubfreies Werkzeug drehend in die Werkzeugaufnahme bis zum Anschlag einschieben. Das Werkzeug verriegelt sich selbst, nachdem die Verriegelungshülse losgelassen wird.
- Verriegelung durch Ziehen am Werkzeug prüfen.

7.4 Werkzeug entnehmen (Abb. 5)

Verriegelungshülse (2) zurückziehen, festhalten und Werkzeug entnehmen.

7.5 Staubaufnahme-Vorrichtung (Abb. 8)

Vor Bohrhammerarbeiten senkrecht über dem Kopf, Staubaufnahme-Vorrichtung (15) über den Bohrer schieben.

7.6 Zusätzliches Schnellspannbohrfutter einsetzen (Abb. 4)

- Schnellspannbohrfutter (14) vor dem Einsetzen reinigen und Schnellspannbohrfutter-Schaft mit Bohrerfett leicht fetten.
- Verriegelungshülse (2) zurückziehen und festhalten.
- Staubfreies Schnellspannbohrfutter (14) drehend in die Werkzeugaufnahme bis zum Anschlag einschieben. Das Schnellspannbohrfutter (14) verriegelt sich selbst, nachdem die Verriegelungshülse losgelassen wird.
- Verriegelung durch Ziehen am Schnellspannbohrfutter (14) prüfen.

7.7 Zusätzliches Schnellspannbohrfutter entnehmen (Abb. 5)

Verriegelungshülse (2) zurückziehen, festhalten und Schnellspannbohrfutter entnehmen.

7.8 Einsetzen des Bohrers in das Schnellspannbohrfutter (Bild 6-7)

⚠ Achtung!

- Ziehen Sie immer den Netzstecker, bevor Sie Einstellungen am Gerät vornehmen.
- Tiefenanschlag (13) wie in 7.2 beschrieben lösen und in Richtung Bohrergriff schieben. Somit hat man freien Zugang zum Schnellspannbohrfutter (14).
- Drehen Sie das Schnellspannbohrfutter (14) auf. Die Bohrfutteröffnung muss groß genug sein, um den Bohrer aufzunehmen.
- Wählen Sie einen geeigneten Bohrer aus. Schieben Sie das Werkzeug soweit wie möglich in die Bohrfutteröffnung hinein.
- Drehen Sie das Schnellspannbohrfutter (14) zu. Prüfen Sie, ob der Bohrer fest im Schnellspannbohrfutter (14) sitzt.
- Überprüfen Sie in regelmäßigen Abständen den festen Sitz des Bohrers bzw. Werkzeuges (Netzstecker ziehen!).

8. Inbetriebnahme

⚠ Achtung!

Um eine Gefährdung zu vermeiden, darf die Maschine nur an den beiden Handgriffen (3/6) gehalten werden! Andernfalls kann beim Anbohren von Leitungen elektrischer Schlag drohen!

8.1 Betriebsanzeige (Abb.1/Pos. 11)

Bei eingestecktem Netzstecker leuchtet die Betriebsanzeige (11).

8.2 Ein-/Ausschalter (Bild 9/Pos. 10)

- Setzen Sie zuerst einen geeigneten Bohrer in das Gerät ein (siehe 7.3).
- Verbinden Sie den Netzstecker mit einer geeigneten Steckdose.
- Setzen Sie den Bohr-Meißelhammer direkt an der Bohrstelle an.

Einschalten:

Ein-/Ausschalter (10) drücken.

Ausschalten:

Ein-/Ausschalter (10) loslassen.

Dauerbetrieb einschalten:

Ein-/Ausschalter (10) mit Feststellknopf (8) sichern. Achtung! Eine Arretierung ist nur im Rechtslauf möglich.

Dauerbetrieb ausschalten:

Ein-/Ausschalter (10) kurz eindrücken.

8.3 Drehzahl einstellen (Bild 9/Pos. 10)

- Sie können die Drehzahl während des Betriebes stufenlos steuern.
- Durch mehr oder wenig starkes Drücken des Ein-/Ausschalters (10) wählen Sie die Drehzahl.
- Wahl der richtigen Drehzahl: Die am besten geeignete Drehzahl ist abhängig vom Werkstück, von der Betriebsart und vom eingesetzten Bohrer.
- Geringer Druck auf Ein-/Ausschalter (10): niedrigere Drehzahl
- Größerer Druck auf Ein-/Ausschalter (10): höhere Drehzahl

DE/AT/
CH

Tipp: Bohren Sie Bohrlöcher mit geringer Drehzahl an. Erhöhen Sie die Drehzahl danach schrittweise.

Vorteile:

- Der Bohrer ist beim Anbohren leichter zu kontrollieren und rutscht nicht ab.
- Sie vermeiden zersplitterte Bohrlöcher (z.B. bei Kacheln).

8.4 Vorwählen der Drehzahl (Bild 9/Pos. 9)

- Nehmen Sie diese Einstellung nicht während des Bohrens vor.
- Der Drehzahl-Regler (9) ermöglicht es Ihnen, die maximale Drehzahl zu definieren. Der Ein-/Ausschalter (10) kann nur noch bis zur vorgegebenen Maximaldrehzahl eingedrückt werden.
- Stellen Sie die Drehzahl mit dem Drehzahl-Regler (9) im Ein-/Ausschalter (10) ein.

8.5 Rechts-/Linkslauf-Umschalter (Bild 9/Pos. 7)

- **Nur im Stillstand umschalten!**
- Stellen Sie mit dem Rechts-/Linkslauf-Umschalter (7) die Laufrichtung des Schlagbohrers ein:

Laufrichtung	Schalterposition
Rechtslauf (Vorwärts und Bohren)	nach links eindrücken
Linkslauf (Rücklauf)	nach rechts eindrücken

8.6 Umschalter

Bohren/Schlagbohren/Meißeln (Abb. 10)

Achtung!

Ist das zusätzliche Schnellspannbohrfutter (14) montiert, sind die Funktionen Schlagbohren/Meißeln nicht verfügbar.

- Zum Bohren den Knopf (E) am Umschalter (5) drücken und gleichzeitig den Umschalter (5) in die Schalterstellung A drehen.
- Zum Schlagbohren den Knopf (E) am Umschalter (5) drücken und gleichzeitig den Umschalter (5) in die Schalterstellung B drehen.
- Für Meißelarbeiten den Knopf (E) am

Umschalter (5) drücken und gleichzeitig den Umschalter (5) in die Schalterstellung C drehen.
In der Stellung C ist der Meißel nicht arretiert.

- Für Meißelarbeiten den Knopf (E) am Umschalter (5) drücken und gleichzeitig den Umschalter (5) in die Schalterstellung D drehen.
In der Stellung D ist der Meißel arretiert.

⚠ Achtung!

Zum Schlagbohren benötigen Sie nur eine geringe Anpresskraft. Ein zu hoher Anpressdruck belastet unnötig den Motor. Bohrer regelmäßig prüfen. Stumpfen Bohrer nachschleifen oder ersetzen.

9. Austausch der Netzan-schlussleitung

Wenn die Netzanschlussleitung dieses Gerätes beschädigt wird, muss sie durch den Hersteller oder seinen Kundendienst oder eine ähnlich qualifizierte Person ersetzt werden, um Gefährdungen zu vermeiden.

10. Reinigung, Wartung und Ersatzteilbestellung

⚠ Achtung!

Ziehen Sie vor allen Reinigungsarbeiten den Netzstecker.

10.1 Reinigung

- Halten Sie Schutzvorrichtungen, Luftschlitze und Motoregehäuse so staub- und schmutzfrei wie möglich. Reiben Sie das Gerät mit einem sauberen Tuch ab oder blasen Sie es mit Druckluft bei niedrigem Druck aus.
- Wir empfehlen, dass Sie das Gerät direkt nach jeder Benutzung reinigen.
- Reinigen Sie das Gerät regelmäßig mit einem feuchten Tuch und etwas Schmierseife. Verwenden Sie keine Reinigungs- oder Lösungsmittel; diese könnten die Kunststoffteile des Gerätes angreifen. Achten Sie darauf, dass kein Wasser in das Geräteinnere gelangen kann.

10.2 Kohlebürsten

Bei übermäßiger Funkenbildung oder Aufleuchten der Anzeige für den Kohlebürstenverschleiß (12) lassen Sie die Kohlebürsten durch eine Elektrofachkraft überprüfen.

10.3 Wartung

Im Geräteinneren befinden sich keine weiteren zu wartenden Teile.

10.4 Ersatzteilbestellung:

Bei der Ersatzteilbestellung sollten folgende Angaben gemacht werden:

- Typ des Gerätes
- Artikelnummer des Gerätes
- Ident-Nummer des Gerätes

Aktuelle Preise und Infos finden Sie unter www.isc-gmbh.info

11. Entsorgung und Wiederverwertung

Das Gerät befindet sich in einer Verpackung um Transportschäden zu verhindern. Diese Verpackung ist Rohstoff und ist somit wieder verwendbar oder kann dem Rohstoffkreislauf zurückgeführt werden. Das Gerät und dessen Zubehör bestehen aus verschiedenen Materialien, wie z.B. Metall und Kunststoffe. Führen Sie defekte Bauteile der Sondermüllentsorgung zu. Fragen Sie im Fachgeschäft oder in der Gemeindeverwaltung nach!



Nur für EU-Länder

Werfen Sie Elektrowerkzeuge nicht in den Hausmüll!

Gemäß europäischer Richtlinie 2002/96/EG über Elektro- und Elektronik-Altgeräte und Umsetzung in nationales Recht müssen verbrauchte Elektrowerkzeuge getrennt gesammelt werden und einer umweltgerechten Wiederverwertung zugeführt werden.

Recycling-Alternative zur Rücksendeauforderung:

Der Eigentümer des Elektrogerätes ist alternativ anstelle Rücksendung zur Mitwirkung bei der sachgerechten Verwertung im Falle der Eigentumsaufgabe verpflichtet. Das Altgerät kann hierfür auch einer Rücknahmestelle überlassen werden, die eine Beseitigung im Sinne der nationalen Kreislaufwirtschafts- und Abfallgesetze durchführt. Nicht betroffen sind den Altgeräten beigelegte Zubehörteile und Hilfsmittel ohne Elektrobestandteile.

DE/AT/
CH

12. Konformitätserklärung

Einhell Germany AG · Wiesenweg 22 · D-94405 Landau/Isar



Konformitätserklärung

- erklärt folgende Konformität gemäß EU-Richtlinie und Normen für Artikel
 explains the following conformity according to EU directives and norms for the following product
 déclare la conformité suivante selon la directive CE et les normes concernant l'article
 dichiara la seguente conformità secondo la direttiva UE e le norme per l'articolo
 verklaart de volgende overeenstemming conform EU richtlijn en normen voor het product
 declara la siguiente conformidad a tenor de la directiva y normas de la UE para el artículo
 declara a seguinte conformidade, de acordo com a directiva CE e normas para o artigo
 atterer følgende overensstemmelse i medfør af EU-direktiv samt standarder for artikel
 förklarar följande överensstämmelse enl. EU-direktiv och standarder för artikeln
 vakuuttaa, että tuote täyttää EU-direktiivin ja standardien vaatimukset
 töendab toote vastavust EL direktiivile ja standarditele
 vydává následující prohlášení o shodě podle směrnice EU a norem pro výrobek
 potrjuje sledeću skladnost s smernico EU in standardi za izdelek
 vydáva nasledujúce prehlásenie o zhode podľa smernice EÚ a noriem pre výrobok
 a cikkekhez az EU-irányvonal és Normák szerint a következő konformitást jelenti ki
 deklaruje zgodność wymienionego poniżej artykułu z następującymi normami na podstawie dyrektywy WE.
 декларира съответното съответствие съгласно Директива на ЕС и норми за артикул
 paskaidro šādu atbilstību ES direktīvai un standartiem
 aribūdina šj atitiktīgā EU reikalavimams ir prekės normoms
 declară următoarea conformitate conform directivei UE și normelor pentru articolul
 δηλώνει την ακόλουθη συμμόρφωση σύμφωνα με την Οδηγία ΕΚ και τα πρότυπα για το προϊόν
 potvrđuje sljedeću usklađenost prema smjernicama EU i normama za artikl
 Izjava o sukladnosti za ovaj proizvod dostupna je na internet stranici www.lidl.hr.
 potvrđuje sljedeću usklađenost prema smjernicama EU i normama za artikl
 potvrđuje sledeću usklađenost prema smernicama EZ i normama za artikal
 следующим удостоверяется, что следующие продукты соответствуют директивам и нормам ЕС
 проголошує про зазначену нижче відповідність виробу директивам та стандартам ЄС на виріб
 Ürünü ile ilgili AB direktifleri ve normları gereğince aşağıda açıklanan uygunluğu belirtir
 erklærer følgende samsvar i henhold til EU-direktivet og standarder for artikkel
 Lýsir uppfyllingu EU-reglna og annarra staða vöru

Bohrhammer PBH 1100 A1 (Parkside)

- | | |
|---|--|
| <input type="checkbox"/> 87/404/EC_2009/105/EC | <input checked="" type="checkbox"/> 2006/42/EC |
| <input type="checkbox"/> 2005/32/EC_2009/125/EC | <input type="checkbox"/> Annex IV
Notified Body:
Notified Body No.:
Reg. No.: |
| <input type="checkbox"/> 2006/95/EC | |
| <input type="checkbox"/> 2006/28/EC | |
| <input checked="" type="checkbox"/> 2004/108/EC | <input type="checkbox"/> 2000/14/EC_2005/88/EC |
| <input type="checkbox"/> 2004/22/EC | <input type="checkbox"/> Annex V |
| <input type="checkbox"/> 1999/5/EC | <input type="checkbox"/> Annex VI
Noise: measured L_{WA} = dB (A); guaranteed L_{WA} = dB (A)
P = KW; L/Ø = cm
Notified Body: |
| <input type="checkbox"/> 97/23/EC | |
| <input type="checkbox"/> 90/396/EC_2009/142/EC | |
| <input type="checkbox"/> 89/686/EC_96/58/EC | <input type="checkbox"/> 2004/26/EC
Emission No.: |
| <input checked="" type="checkbox"/> 2011/65/EC | |

Standard references: EN 60745-1; EN 60745-2-6; EN 55014-1;
EN 55014-2; EN 61000-3-2; EN 61000-3-3

Landau/Isar, den 21.09.2011

Weichselgartner/General Manager

Unger/Product-Management

First CE: 08
Art.-No.: 42.583.76 I.-No.: 11031
Subject to change without notice

Archive-File/Record: NAPR004729
Documents registrar: Georg Riedel
Wiesenweg 22, D-94405 Landau/Isar

13. GARANTIEURKUNDE

Sehr geehrte Kundin, sehr geehrter Kunde,

unsere Produkte unterliegen einer strengen Qualitätskontrolle. Sollte dieses Gerät dennoch einmal nicht einwandfrei funktionieren, bedauern wir dies sehr und bitten Sie, sich an unseren Servicedienst unter der auf dieser Garantiekarte angegebenen Adresse zu wenden. Gern stehen wir Ihnen auch telefonisch über die unten angegebene Servicrufnummer zur Verfügung. Für die Geltendmachung von Garantieansprüchen gilt Folgendes:

1. Diese Garantiebedingungen regeln zusätzliche Garantieleistungen. Ihre gesetzlichen Gewährleistungsansprüche werden von dieser Garantie nicht berührt. Unsere Garantieleistung ist für Sie kostenlos.
2. Die Garantieleistung erstreckt sich ausschließlich auf Mängel, die auf Material- oder Herstellungsfehler zurückzuführen sind und ist auf die Behebung dieser Mängel bzw. den Austausch des Gerätes beschränkt. Bitte beachten Sie, dass unsere Geräte bestimmungsgemäß nicht für den gewerblichen, handwerklichen oder industriellen Einsatz konstruiert wurden. Ein Garantievertrag kommt daher nicht zustande, wenn das Gerät in Gewerbe-, Handwerks- oder Industriebetrieben sowie bei gleichzusetzenden Tätigkeiten eingesetzt wird.
Von unserer Garantie sind ferner Ersatzleistungen für Transportschäden, Schäden durch Nichtbeachtung der Montageanleitung oder aufgrund nicht fachgerechter Installation, Nichtbeachtung der Gebrauchsanleitung (wie durch z.B. Anschluss an eine falsche Netzspannung oder Stromart), missbräuchliche oder unsachgemäße Anwendungen (wie z.B. Überlastung des Gerätes oder Verwendung von nicht zugelassenen Einsatzwerkzeugen oder Zubehör), Nichtbeachtung der Wartungs- und Sicherheitsbestimmungen, Eindringen von Fremdkörpern in das Gerät (wie z.B. Sand, Steine oder Staub), Gewaltanwendung oder Fremdeinwirkungen (wie z. B. Schäden durch Herunterfallen) sowie durch verwendungsgemäßen, üblichen Verschleiß ausgeschlossen. Dies gilt insbesondere für Akkus, auf die wir dennoch eine Garantiezeit von 12 Monaten gewähren
Der Garantieanspruch erlischt, wenn an dem Gerät bereits Eingriffe vorgenommen wurden.
3. Die Garantiezeit beträgt 3 Jahre und beginnt mit dem Kaufdatum des Gerätes. Garantieansprüche sind vor Ablauf der Garantiezeit innerhalb von zwei Wochen, nachdem Sie den Defekt erkannt haben, geltend zu machen. Die Geltendmachung von Garantieansprüchen nach Ablauf der Garantiezeit ist ausgeschlossen. Die Reparatur oder der Austausch des Gerätes führt weder zu einer Verlängerung der Garantiezeit noch wird eine neue Garantiezeit durch diese Leistung für das Gerät oder für etwaige eingebaute Ersatzteile in Gang gesetzt. Dies gilt auch bei Einsatz eines Vor-Ort-Services.
4. Für die Geltendmachung Ihres Garantieanspruches übersenden Sie bitte das defekte Gerät portofrei an die unten angegebene Adresse. Fügen Sie den Verkaufsbeleg im Original oder einen sonstigen datierten Kaufnachweis bei. Bitte bewahren Sie deshalb den Kassenbon als Nachweis gut auf! Beschreiben Sie uns bitte den Reklamationsgrund möglichst genau. Ist der Defekt des Gerätes von unserer Garantieleistung erfasst, erhalten Sie umgehend ein repariertes oder neues Gerät zurück.

Selbstverständlich beheben wir gegen Erstattung der Kosten auch gerne Defekte am Gerät, die vom Garantiefumfang nicht oder nicht mehr erfasst sind. Dazu senden Sie das Gerät bitte an unsere Serviceadresse.



IAN: 70627 PBH 1100 A1

Einhell Germany AG

Wiesenweg 22

D-94405 Landau/Isar

Last Information Update · Információk állása · Stanje informacij · Stav informací

Stav informácií · Stan informacj · Stand der Informationen: 10/2011

Ident.-No.: 42.583.76 102011 - 4

