

Einhell

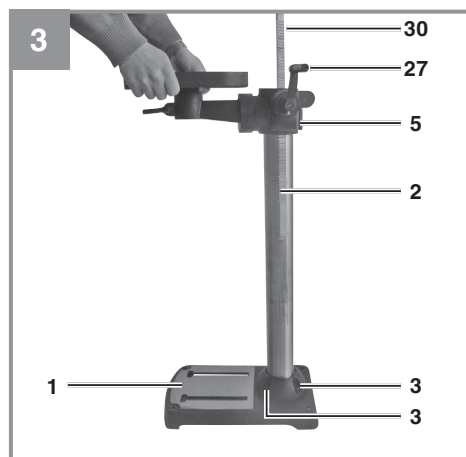
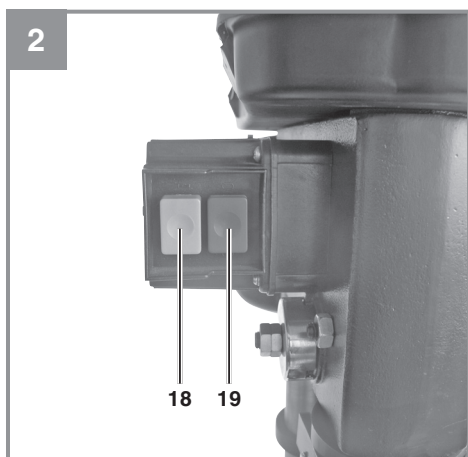
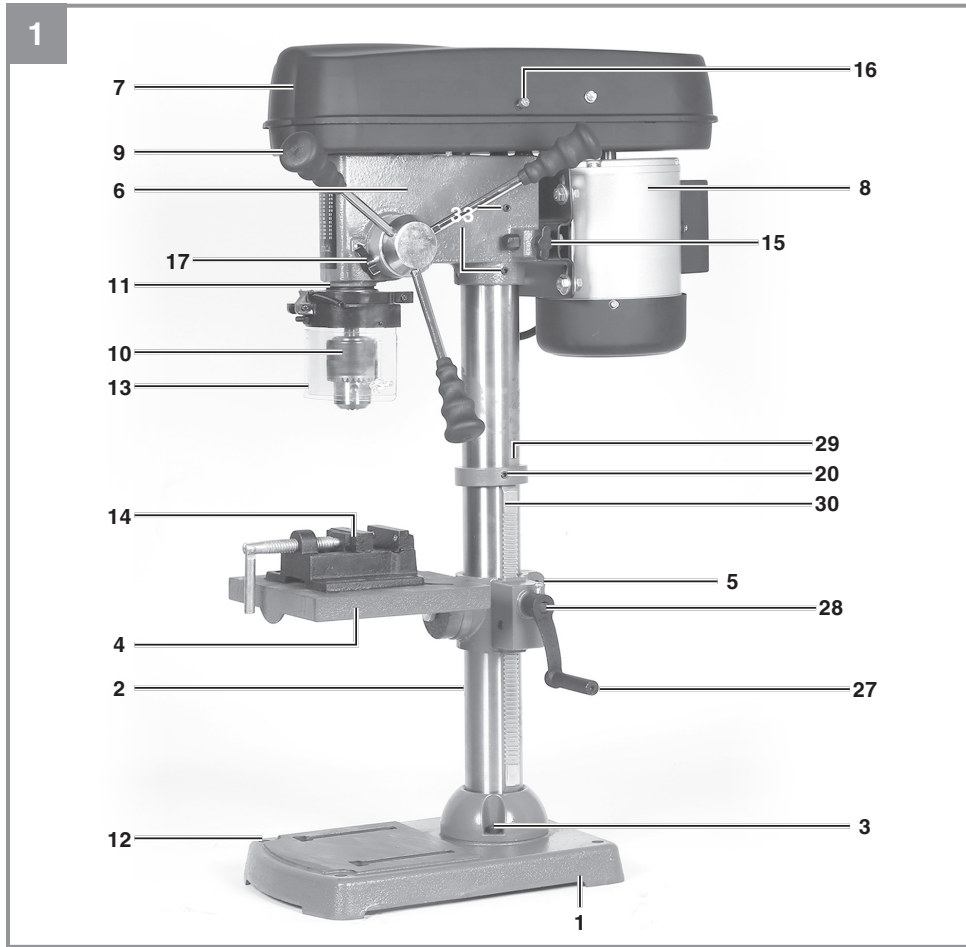
TC-BD 630

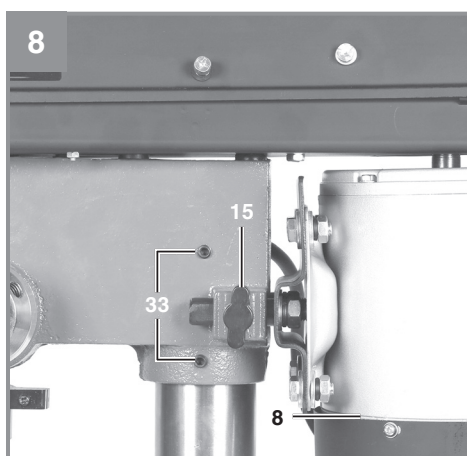
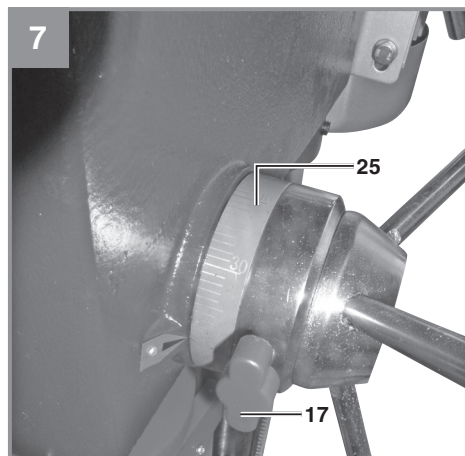
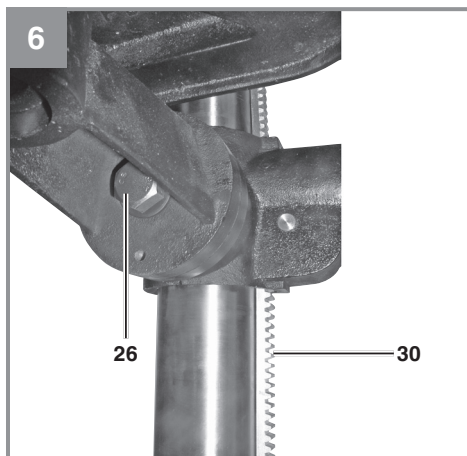
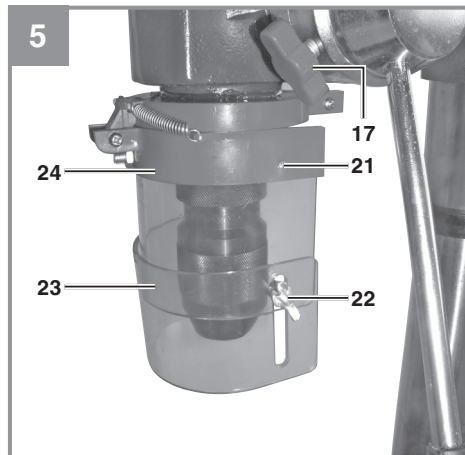
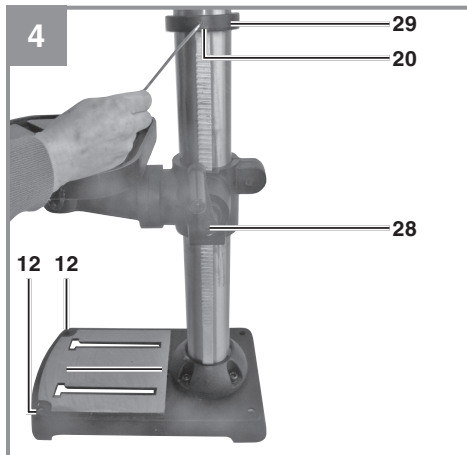
GB Original operating instructions
Bench Drill



Art.-Nr.: 42.505.85

I.-Nr.: 21010





Pos.	min ⁻¹	Pos.	min ⁻¹	Pos.	min ⁻¹
4-A	250	4-B	300	3-A	350
3-B	450	4-C	530	2-A	580
1-B	800	2-C	1300	1-C	1400
3-D	1500	2-D	2200	1-D	2450

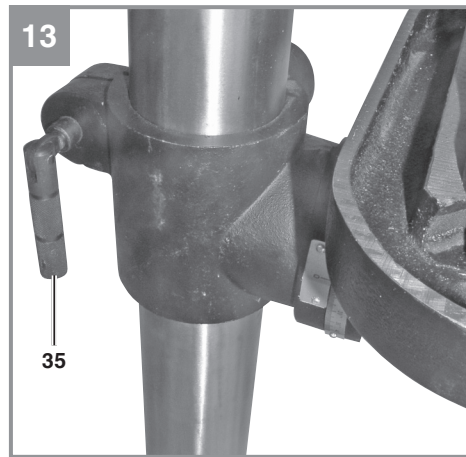
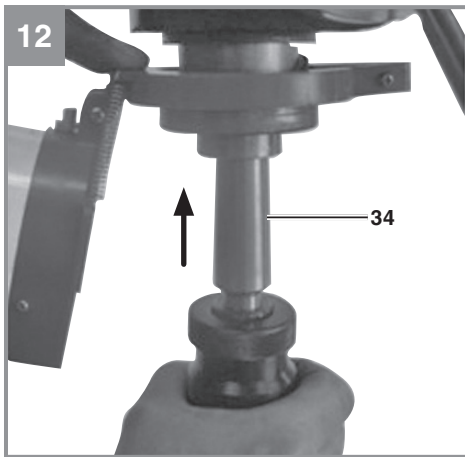
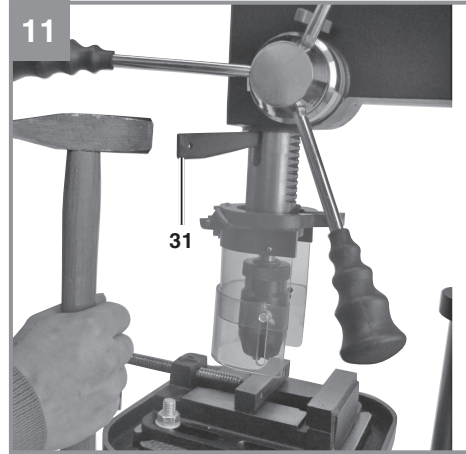
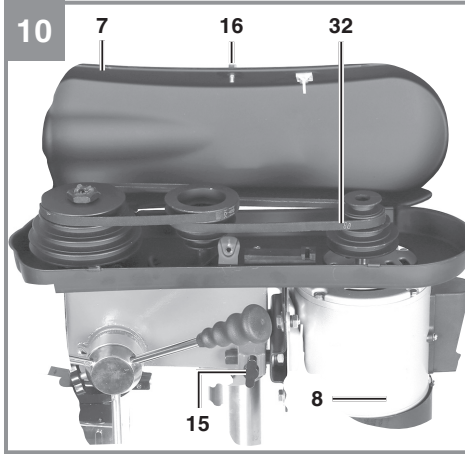


Table of contents

1. Safety regulations
2. Layout and items supplied
3. Proper use
4. Technical data
5. Before using the equipment
6. Operation
7. Replacing the power cable
8. Cleaning, maintenance and ordering of spare parts
9. Disposal and recycling



Danger! - Read the operating instructions to reduce the risk of injury



Caution! Wear ear-muffs. The impact of noise can cause damage to hearing.



Caution! Wear a breathing mask. Dust which is injurious to health can be generated when working on wood and other materials. Never use the device to work on any materials containing asbestos!



Caution! Wear safety goggles. Sparks generated during working or splinters, chips and dust emitted by the device can cause loss of sight.

Danger!

When using the equipment, a few safety precautions must be observed to avoid injuries and damage. Please read the complete operating instructions and safety regulations with due care. Keep this manual in a safe place, so that the information is available at all times. If you give the equipment to any other person, hand over these operating instructions and safety regulations as well. We cannot accept any liability for damage or accidents which arise due to a failure to follow these instructions and the safety instructions.

1. Safety regulations

General safety information for power tools

Warning!

Read all the safety information, instructions, illustrations and technical data provided on or with this power tool. Failure to adhere to the following instructions may result in electric shock, fire and/or serious injury.

Keep all the safety information and instructions in a safe place for future use.

The term „power tool“ used in the safety information and instructions refers to power tools operated from the mains power supply (with a power cable) and to battery operated power tools (without a power cable).

1. Workplace safety

- a) **Keep your work area clean and well lit.** Untidy or unlit work areas can result in accidents.
- b) **Do not use this power tool in an area where there is a risk of explosion and where there are inflammable liquids, gases or dust.** Power tools generate sparks that can ignite dust or vapors.
- c) **Keep children and other people away from the power tool while you are using it.** If you are distracted you may lose control of the power tool.

2. Electrical safety

- a) **The plug on the power tool must fit into the socket. The socket must not be modified in any way. Do not use adapter plugs together with power tools with a protective earth.** Unmodified plugs and matching sockets will reduce the risk of an electric shock.

- b) **Avoid body contact with earthed surfaces such as pipes, heating systems, stoves and refrigerators.** There is an increased risk of suffering an electric shock if your body is earthed.
- c) **Keep the power tool out of the rain and away from moisture.** The ingress of water into an electric power tool increases the risk of an electric shock.
- d) **Do not use the power cable for a purpose for which it is not designed, for example to carry the power tool, hang it up or to pull the plug out of the socket. Keep the power cable away from heat, oil, sharp edges and moving parts.** Power cables that are damaged or tangled increase the risk of an electric shock.
- e) **If you use an electric power tool outdoors, use only extension cables that are suitable for outdoor use.** The use of an extension cable which is suitable for outdoor use reduces the risk of an electric shock.
- f) **If you cannot avoid using the power tool in a damp location, use a residual current device (RCD) circuit breaker.** The use of a residual current device (RCD) circuit breaker will reduce the risk of suffering an electric shock.

3. Safety of persons

- a) **Be careful, watch what you are doing and be sensible and responsible when using an electric power tool. Never use the power tool if you are tired or under the influence of drugs, alcohol or medication.** One moment of inattention when using the electric tool can result in serious injuries.
- b) **Wear personal safety equipment and always wear safety goggles.** Wearing personal safety equipment such as dust masks, non-slip safety shoes, a helmet or ear plugs, depending on the type and application of the tool, reduces the risk of injury.
- c) **Make sure that the tool cannot start up accidentally. Ensure that the power tool is switched off before you connect it to the power supply and/or connect the battery pack, pick it up or carry it.** If you have your finger on the switch while carrying the power tool or if you connect the power tool to the power supply while it is switched on, this may cause accidents.
- d) **Remove all adjusting tools or wrenches before you switch on the power tool.** Any tool or wrench in a rotating part of the power

tool could cause injuries.

- e) **Avoid abnormal working postures. Make sure you stand squarely and keep your balance at all times.** This will enable you to control the power tool better in unexpected situations.
 - f) **Wear suitable clothes. Never wear loose fitting clothes or jewelry. Keep hair and clothing away from moving parts.** Loose clothing, jewelry or long hair can be caught by moving parts.
 - g) **If dust extraction devices and dust collection devices can be fitted, they must be connected and must be used correctly.** The use of a dust extractor can reduce the dangers posed by dust.
 - h) **Do not allow yourself to be lulled into a false sense of security and do not ignore the safety regulations covering electric power tools, even if you are familiar with the power tool after having used it many times.** Carelessness can lead to serious injuries in just a fraction of a second.
- 4. Using and handling the power tool**
- a) **Do not overload your power tool. Use the correct electric tool for the job in hand.** The correct tool will enable you to work better and more safely within the specific performance range.
 - b) **Do not use an electric power tool if the switch is defective.** An electric power tool that cannot be switched on or off is dangerous and must be repaired.
 - c) **Pull the plug out of the socket and/or remove the removable battery pack before making any adjustments to the tool, changing plug-in tool parts or putting the power tool down.** These precautions will prevent the power tool starting accidentally.
 - d) **Keep unused electric tools out of the reach of children. Do not allow people who are not familiar with the power tool or who have not read these instructions to use the power tool.** Electric tools are dangerous if they are used by inexperienced people.
 - e) **Look after power tools and plug-in tools with care. Check that moving parts function correctly and do not jam, and whether any parts are broken or damaged such that they adversely affect the function of the power tool. Have damaged parts repaired before you use the power tool.** Many accidents are caused by poorly

maintained electric tools.

- f) **Keep cutting tools sharp and clean.** Carefully maintained cutting tools with sharp cutting edges will jam less and are easier to control.
 - g) **Use the power tool, plug-in tools, etc. as set out in these instructions. Take account of the conditions in your work area and the job in hand.** Using electric tools for purposes other than the one for which they are designed can result in dangerous situations.
 - h) **Keep the handles and grip surfaces dry, clean and free from oil and grease.** If the handles and grip surfaces are slippery, it will not be possible to operate and control the power tool safely in unforeseen situations.
- 5. Service**
- a) **Have your power tool repaired only by trained personnel using only genuine spare parts.** This will ensure that your power tool remains safe to use.

Special safety instructions

The pillar drill was designed in such a way so as to all but eliminate potential hazards when the machine is properly used. However, there are a few safety precautions to observe in order to ensure that all residual hazards are ruled out.

Ensure proper voltage

The voltage must comply with the specifications on the rating plate.

Use a socket-outlet with earthing contact

The device may only be operated from an outlet with the properly installed earthing contact.

Extension cable

The cord cross section of an extension cable must measure at least 1.5 mm². Always completely unwind a cable reel prior to use. Check the cable for defects.

Protection against electrical shock

Keep the device away from moisture. The device must neither be damp nor be operated in a humid environment. Prior to every use, check the device and the mains cable with plug for damage. Avoid bodily contact with earthed parts e.g. pipes, hot elements, etc.

Protection against fire and explosion

There are spark producing components inside the device. Do not use the device in the vicinity of combustible liquids or gases. Otherwise there is a risk of fire or explosion.

Handle the device with care

Do not use the cable to pull the plug out of the socket. Protect the cable from heat, oil and sharp edges. Keep your tools sharp and clean so that you can work efficiently and safely. Follow the maintenance regulations and the instructions for changing tools.

Wear suitable work clothes and personal protection equipment

Loose clothing is not suitable, as it can be caught by moving parts, causing you to become entangled. Wear a hair net if you have long hair. As a general rule, jewelry should not be worn when working with machine tools. Ensure that you wear safety goggles. Not doing so could result in eye injury.

Keep your work area neat and tidy

Disorder in the work area can easily lead to accidents. Do not leave any tools, objects, or cable in the direct vicinity of the work area, as this poses a tripping hazard! Ensure that there is sufficient lighting.

Watch out for other persons

Watch out for other persons (especially children) when using the device, and keep them away from your work area. Do not let anyone touch the device or the power cable.

Store the tools in a safe location

Store unused devices in a dry, locked location that is out of the reach of children.

Avoid overloading the device

Operate the device only within the specified output range. Do not use any low-powered machines for heavy duty work. Do not use tools to perform work for which they were not intended.

Maintain a steady foothold

Ensure that you maintain a steady foothold while working. Avoid abnormal body positions and always keep your balance.

Pull out the mains plug

Pull out the mains plug when not using the tool, prior to maintenance, and when changing the drill bit.

Pull out the power plug.

Ensure that the mains connection is protected by at least a 10 A-rated fuse.

Avoid unintentional start-up

Ensure that switch is turned off when plugging the plug into the socket.

Keep an eye on your work

Always keep an eye on your machine and the object you are working on. Never use the machine when you are not concentrating or are distracted. Never use the machine when you are under the influence of alcohol or are taking medication.

Check the tool for damage

Before using the tool, safety devices and any slightly damaged parts must be carefully checked to ensure that they are in good working order. Visually examine the tool's power cable on a regular basis. All parts must be correctly assembled and meet all the conditions required to ensure proper operation. Unless otherwise specified in the operating instructions, any damaged safety devices and parts must be properly repaired or replaced by a professionally recognized workshop. Never use tools with defective On/Off switches.

Warning! Using any plug-in tools and accessories other than those specified in these operating instructions can lead to injury.

Now, please read and follow all steps and procedures included in the operating instructions.

2. Layout and items supplied**2.1 Layout**

1. Machine base
2. Pillar
3. Fastening screws
4. Drill table
5. Drill table clamp shaft
6. Machine head
7. V-belt cover
8. Motor
9. Grip knobs

10. Drill chuck
11. Spindle
12. Mounting holes
13. Folding chip guard
14. Vise
15. Securing screw
16. Screw
17. Clamping screw
18. ON switch
19. OFF switch
20. Grub screw
21. Fixing screw
22. Thumb screws
23. Transparent cover
24. Mounting frame
25. Scale ring
26. Lock bolt
27. Crank
28. Fixing screw
29. Guide sleeve
30. Gear rack
31. Drill drift
32. V-belt
33. Fastening screws
34. Tapered shank
35. Tightening screw

2.2 Items supplied

Please check that the article is complete as specified in the scope of delivery. If parts are missing, please contact our service center or the sales outlet where you made your purchase at the latest within 5 working days after purchasing the product and upon presentation of a valid bill of purchase. Also, refer to the warranty table in the service information at the end of the operating instructions.

- Open the packaging and take out the equipment with care.
- Remove the packaging material and any packaging and/or transportation braces (if available).
- Check to see if all items are supplied.
- Inspect the equipment and accessories for transport damage.
- If possible, please keep the packaging until the end of the guarantee period.

Danger!

The equipment and packaging material are not toys. Do not let children play with plastic bags, foils or small parts. There is a danger of swallowing or suffocating!

- Pillar drill

- Drill chuck
- Folding chip guard
- Vise
- Original operating instructions
- Safety instructions

3. Proper use

This pillar drill is designed for drilling metal, plastic, wood and similar materials. It is intended for use in the private sector only.

Food and harmful materials may not be processed with the machine. The drill chuck is only designed for use with drill bits and tools with a shaft diameter of 3 to 16 mm, and for cylindrical tool shanks. Tools with a tapered shank can also be used. The machine is intended for use by adults only.

The equipment is to be used only for its prescribed purpose. Any other use is deemed to be a case of misuse. The user / operator and not the manufacturer will be liable for any damage or injuries of any kind caused as a result of this.

Please note that our equipment has not been designed for use in commercial, trade or industrial applications. Our warranty will be voided if the machine is used in commercial, trade or industrial businesses or for equivalent purposes.

4. Technical data

Nominal input voltage	220V ~ 60 Hz
Nominal power level	630 W
Operating mode	S2 15 min.
Motor speed	1400 min ⁻¹
Output speed	250 - 2450 min ⁻¹
Speed levels	12
Drill chuck mount	B 16
Gear rim chuck	Ø 1.5 - 16 mm
Max. shaft diameter	16 mm
Throat	126 mm
Dimensions of drill table	200 x 195 mm
Angle adjustment of table	45° / 0° / 45°
Drill depth	60 mm
Pillar diameter	60 mm
Height	approx. 850 mm
Base area	350 x 230 mm
Weight	approx. 32.5 kg

Wear ear-muffs.

The impact of noise can cause damage to hearing.

Keep the noise emissions and vibrations to a minimum.

- Only use appliances which are in perfect working order.
- Service and clean the appliance regularly.
- Adapt your working style to suit the appliance.
- Do not overload the appliance.
- Have the appliance serviced whenever necessary.
- Switch the appliance off when it is not in use.

Caution!**Residual risks**

Even if you use this electric power tool in accordance with instructions, certain residual risks cannot be ruled out. The following hazards may arise in connection with the equipment's construction and layout:

1. Lung damage if no suitable protective dust mask is used.
2. Damage to hearing if no suitable ear protection is used.
3. Health damage caused by hand-arm vibrations if the equipment is used over a prolonged period or is not properly guided and maintained.

5. Before using the equipment**5.1. Assembling the machine (Fig. 1/3/4/5)**

- Place the base plate (1) in the desired position.
- Fasten the pillar (2) with flange using the supplied screws (3).
- Insert the screw gear in the drill table support.
- Then insert the gear rack (30) in the drill table support (5) with the teeth facing the screw gear (identical projection).
- Now slip these parts together over the pillar (2). In doing so, make sure that the gear rack is correctly seated in the teeth of the screw gear.
- To secure the gear rack at the top end, slip on the guide sleeve (29) over the pillar and fasten with the grub screw (20).
- You can now fit the table and clamp in place with the clamping lever. Following this, fit the crank (27) and fasten tightly with the screw (28).

- Finally, fit the complete bit head to the pillar. Align the head so that it is horizontal to the base plate and fasten it in position with the screws (33).
- Screw the 3 supplied handles (9) in the handle mounts.
- Before you mount the drill chuck with the MK shank, check that both parts are clean. Insert the taper mandrel in the taper of the drill chuck with a powerful jolt. Then insert the taper in the spindle (Fig. 12)
- Check the tension of the V-belt regularly before use (Fig. 8).

Important: All bare parts are greased in order to protect them from corrosion. Before mounting the drill chuck (10) onto the spindle (11), both parts must be completely degreased using an environmentally friendly solvent. This ensures optimal transmission of power.

5.2 Installing the machine (Figs. 3/4)

Before you use the drill for the first time it must be mounted in a stationary position on a firm surface. Use both mounting holes (12) in the base plate to do this. Ensure that the machine is freely accessible for operation, adjustment and maintenance.

Important: The fixing screws may only be tightened to a point where they do not distort or deform the base plate. Excessive tension can lead to fracture.

5.3 Hinged chip guard (Fig. 5)

Unscrew the three screws (21).

Push the transparent cover (23) into the groove of the red mounting frame (24) and fasten it again with the screws (21).

The height of the cover (23) is infinitely adjustable and can be locked using both thumb screws (22). The chip guard (13) can be flipped upwards to change drill bits, however ensure that the chip guard (13) is back in its initial position before restarting the equipment.

5.4 Prior to starting

Ensure that the voltage of the mains supply complies with the specifications on the rating plate.

Connect the machine only to a socket with the properly installed earthing contact.

The table drill is equipped with a no-volt trip that is designed to protect the operator from an undesired restart following a drop in voltage. Should this occur, the machine must be manually restarted.

6. Operation

6.1 General (Fig. 2)

To switch on the equipment, push in the green On button "I" (18); the drill starts up. To switch off, press the red Off button "O" (19); the drill shuts down.

Ensure that you do not overload the equipment. If the sound of the motor drops in pitch during operation, it is being overloaded.

Do not overload the equipment to the point where the motor comes to a standstill.

6.2 Inserting the tool (Fig. 1)

Make sure that the power plug is removed from the socket-outlet before changing tools. Only cylindrical tools with the stipulated maximum shaft diameter may be clamped in the scroll chuck (10). Only use a tool that is sharp and free of defects. Do not use tools whose shaft is damaged or which are deformed or flawed in any other way. Use only accessories and attachments that are specified in the operating instructions or have been approved by the manufacturer. If the pillar drill should become jammed, switch off the machine and return the drill to its starting position.

6.3 Using the gear rim chuck

Your pillar drill is equipped with a gear-toothed drill chuck. In order to insert a drill bit, flip up the chip guard (13), insert the drill bit, then tighten down the drill chuck using the supplied chuck key. Pull out the chuck key. Ensure that the clamped tool is firmly seated.

Caution! Do not leave the chuck key in the clamp hole. Doing so will cause the chuck key to be catapulted out, which could cause injury.

6.4 Use of tools with tapered shanks (Fig. 11/12)

The pillar drill comes with a spindle taper. To use tools with tapered shanks (MK2), proceed as follows:

- Move the drill chuck to the lower position.
- Eject the tapered shank using the supplied drill drift (31), taking care as you do so to ensure that the tool does not land on the floor.
- Insert the new tool with tapered shank (34) in the spindle taper with a jolt and then check that the tool is correctly seated.

6.5 Setting the speed (Fig. 1/2/8/9/10)

First switch the equipment off, then pull the power plug.

The various spindle speeds can be set by moving the V-belt. Proceed as follows:

- Remove the screw (16) in order to open the V-belt cover (7).
- Slacken the securing screw (15) and push the motor (8) in the direction of the machine head.
- Move the V-belt (32) to the desired position.
- Please refer to table 6.10 for the corresponding speeds.
- Tighten the V-belt by pushing the motor (8) away from the drill head (6). Screw the tightening screw (15) back down again. The tension is properly set when the V-belt flexes in the middle by approx. 1 cm when pressed.
- Close the V-belt cover and screw down using the screw (16).

The V-belt cover (7) must always be locked tight, as the equipment is equipped with a safety switch that only allows the equipment to be turned when the V-belt cover (7) is closed.

Caution! Never let the pillar drill run when the V-belt cover is open. Always pull power plug before opening the cover. Never touch the V-belt when it is rotating.

6.6 Drill depth stop point (Fig. 7)

The drilling spindle has a swiveling scale ring for setting the drill depth. Only adjust the setting when the equipment is at a standstill.

- Press the drilling spindle (11) downwards until the tip of the drill bit touches the workpiece.
- Slacken the clamping screw (17) and turn the scale ring (25) forwards until it stops.
- Turn the scale ring (25) back to the desired drill depth, then lock this setting into place using the clamping screw (17).

6.7 Setting the angle of the drill table (Fig. 6)

- Slacken the carriage bolt (26) under the drill table (4).
- Set the drill table (4) to the desired angle.
- Tighten down the carriage bolt (26) in order to lock the drill table (4) into this position.

6.8 Setting the height of the drill table (Fig. 1/13)

- Slacken the tightening screw (35).
- Set the drill table to the desired position with the help of the hand crank (27).
- Screw the tightening screw (35) back down again.

6.9 Clamping the workpiece

As a general rule, use a machine vice (14) or another suitable clamping device to lock a workpiece into position. Never hold the workpiece in place with your hand! When drilling, the workpiece should be able to travel on the drill table (4) for self-centering purposes. Ensure that the workpiece cannot rotate.

This is best achieved by placing the workpiece/machine vice on a sturdy block.

Caution! Sheetmetal parts must be clamped in to prevent them from being torn up. Properly set the height and angle of the drill table for each workpiece. There must be enough distance between the upper edge of the workpiece and tip of the drill bit.

6.10 Working speeds

Ensure that you drill at the proper speed. Drill speed is dependent on the diameter of the drill bit and the material in question.

The table below acts as a guide for selecting the proper speed for various materials.

Note: The drill speeds specified are merely suggested values.

Drill bit Ø	Cast iron	Steel	Iron	Aluminium	Bronze
3	2550	1600	2230	9500	8000
4	1900	1200	1680	7200	6000
5	1530	955	1340	5700	4800
6	1270	800	1100	4800	4000
7	1090	680	960	4100	3400
8	960	600	840	3200	3000
9	850	530	740	3200	2650
10	765	480	670	2860	2400
11	700	435	610	2600	2170
12	640	400	560	2400	2000
13	590	370	515	2200	1840
14	545	340	480	2000	1700
16	480	300	420	1800	1500
18	425	265	370	1600	1300
20	380	240	335	1400	1200
22	350	220	305	1300	1100
25	305	190	270	1150	950

6.11 Countersinking and center-drilling

With this table drill, you can also countersink and center-drill. Please observe that countersinking should be performed at the lowest speed, while a high speed is required for center-drilling.

6.12 Drilling wood

Please note that sawdust must be properly evacuated when working with wood, as it can pose a health hazard. Ensure that you wear a suitable dust mask when performing work that generates dust.

7. Replacing the power cable

Danger!

If the power cable for this equipment is damaged, it must be replaced by the manufacturer or its after-sales service or similarly trained personnel to avoid danger.

8. Cleaning, maintenance and ordering of spare parts

Danger!

Pull out the power plug before carrying out any adjustments, maintenance or repairs.

8.1 Cleaning

- The table drill is to a large extent maintenance-free. Keep the device clean. Pull out the mains plug before doing any cleaning and maintenance work on the machine. Do not use any harsh, abrasive cleaning solvents. Ensure that no liquid seeps into the device. Regrease all bare parts when the work is finished. The drill pillar, blank parts of the column, and the drill table especially should be regreased at regular intervals. Use a standard, acid-free lubricating grease to do this. **Caution:** Do not use your household refuse bin as a receptacle for oil and grease-soaked cleaning rags or grease and oil sludge. Dispose of these toxic materials in an environmentally-friendly fashion. Regularly check and clean the ventilation holes. Store the device in a dry room. Should the device become damaged, do not try to repair it yourself; leave this work to the hands of a qualified electrical technician.
- We recommend that you clean the device
- immediately each time you have finished

using it.

- Clean the equipment regularly with a moist cloth and some soft soap. Do not use cleaning agents or solvents; these could attack the plastic parts of the equipment. Ensure that no water can seep into the device.

8.2 Maintenance

There are no parts inside the equipment which require additional maintenance.

8.3 Ordering replacement parts:

Please quote the following data when ordering replacement parts:

- Type of machine
- Article number of the machine
- Identification number of the machine
- Replacement part number of the part required

9. Disposal and recycling

The equipment is supplied in packaging to prevent it from being damaged in transit. The raw materials in this packaging can be reused or recycled. The equipment and its accessories are made of various types of material, such as metal and plastic. Never place defective equipment in your household refuse. The equipment should be taken to a suitable collection center for proper disposal. If you do not know the whereabouts of such a collection point, you should ask in your local council offices.

Subject to technical changes

Warranty certificate

Dear Customer,

All of our products undergo strict quality checks to ensure that they reach you in perfect condition. In the unlikely event that your device develops a fault, please contact our service department at the address shown on this guarantee card. You can also contact us by telephone using the service number shown. Please note the following terms under which guarantee claims can be made:

1. These guarantee terms apply to consumers only, i.e. natural persons intending to use this product neither for their commercial activities nor for any other self-employed activities. These warranty terms regulate additional warranty services, which the manufacturer mentioned below promises to buyers of its new products in addition to their statutory rights of guarantee. Your statutory guarantee claims are not affected by this guarantee. Our guarantee is free of charge to you.
2. The warranty services cover only defects due to material or manufacturing faults on a product which you have bought from the manufacturer mentioned below and are limited to either the rectification of said defects on the product or the replacement of the product, whichever we prefer.
Please note that our devices are not designed for use in commercial, trade or professional applications. A guarantee contract will not be created if the device has been used by commercial, trade or industrial business or has been exposed to similar stresses during the guarantee period.
3. The following are not covered by our guarantee:
 - Damage to the device caused by a failure to follow the assembly instructions or due to incorrect installation, a failure to follow the operating instructions (for example connecting it to an incorrect mains voltage or current type) or a failure to follow the maintenance and safety instructions or by exposing the device to abnormal environmental conditions or by lack of care and maintenance.
 - Damage to the device caused by abuse or incorrect use (for example overloading the device or the use of unapproved tools or accessories), ingress of foreign bodies into the device (such as sand, stones or dust, transport damage), the use of force or damage caused by external forces (for example by dropping it).
 - Damage to the device or parts of the device caused by normal or natural wear or tear or by normal use of the device.
4. The guarantee is valid for a period of 24 months starting from the purchase date of the device. Guarantee claims should be submitted before the end of the guarantee period within two weeks of the defect being noticed. No guarantee claims will be accepted after the end of the guarantee period. The original guarantee period remains applicable to the device even if repairs are carried out or parts are replaced. In such cases, the work performed or parts fitted will not result in an extension of the guarantee period, and no new guarantee will become active for the work performed or parts fitted. This also applies if an on-site service is used.
5. To make a claim under the guarantee, please register the defective device at: www.Einhell-Service.com. Please keep your bill of purchase or other proof of purchase for the new device. Devices that are returned without proof of purchase or without a rating plate shall not be covered by the guarantee, because appropriate identification will not be possible. If the defect is covered by our guarantee, then the item in question will either be repaired immediately and returned to you or we will send you a new replacement.

Of course, we are also happy offer a chargeable repair service for any defects which are not covered by the scope of this guarantee or for units which are no longer covered. To take advantage of this service, please send the device to our service address.

Also refer to the restrictions of this warranty concerning wear parts, consumables and missing parts as set out in the service information in these operating instructions.

Davao Citihardware Inc. · Quimpo Boulevard, Matina · Davao City 8000 Philippines
Tel: 02-85400889 · service-ph@einhell.com



EH 10/2020 (01)

