



TP-RS 18/32 Li BL

EN Operating instructions
Cordless Random Orbit Sander

FR Mode d'emploi
Ponceuse orbitale sans fil

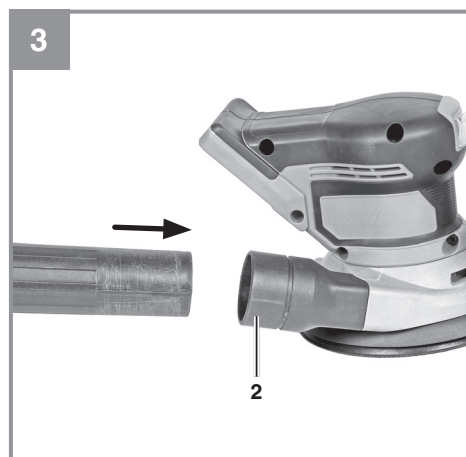
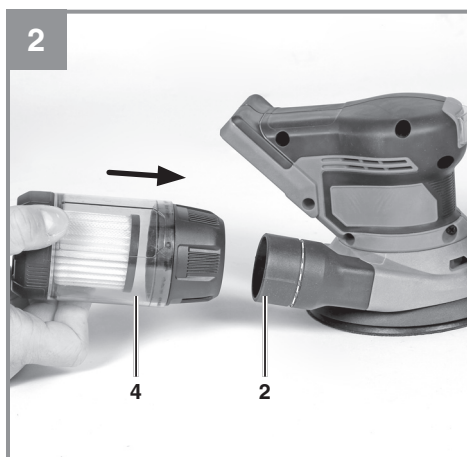
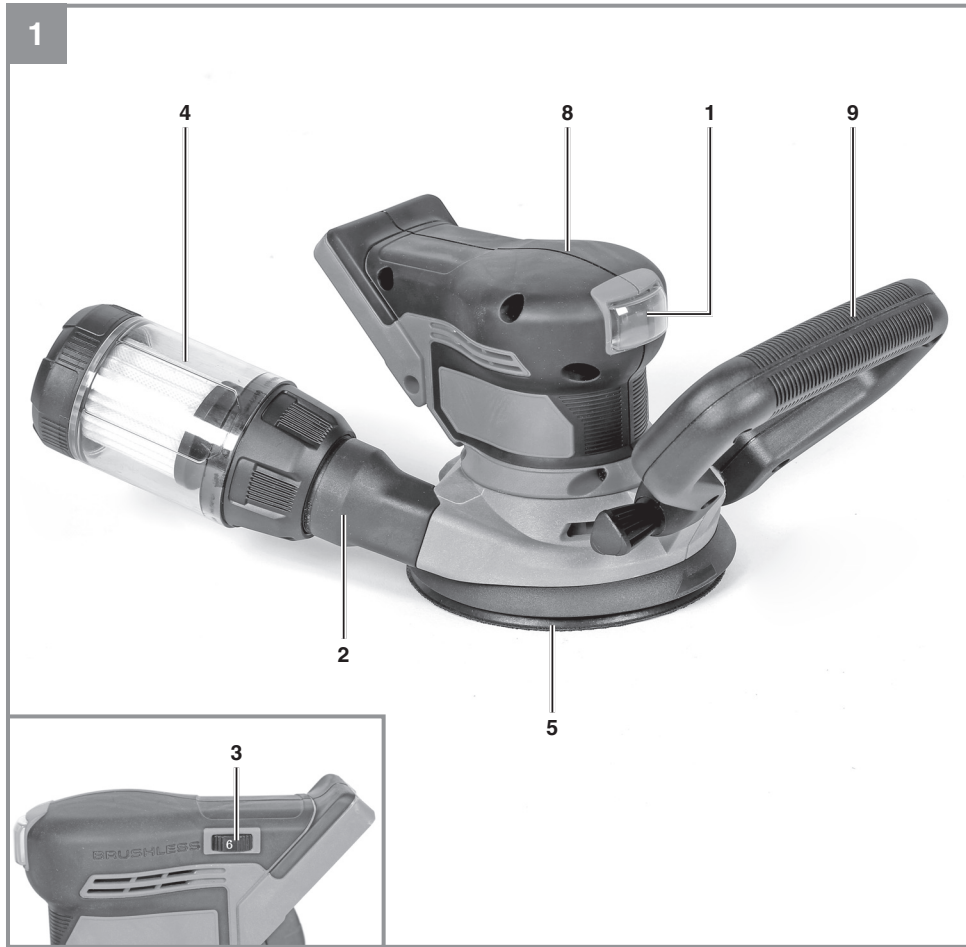
SP Manual de instrucciones
Lijadora excéntrica de batería

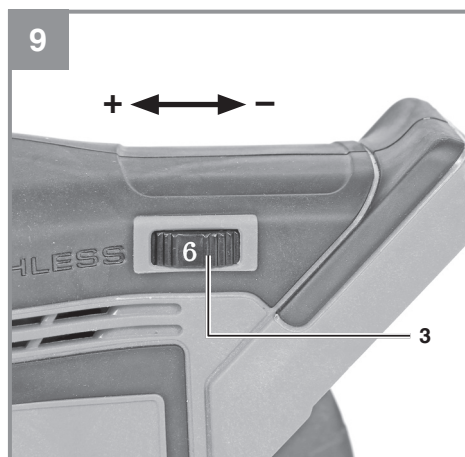
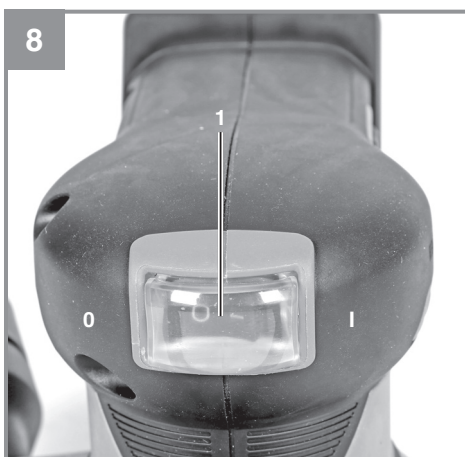
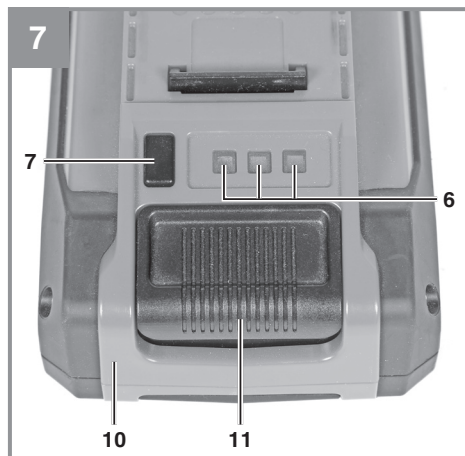
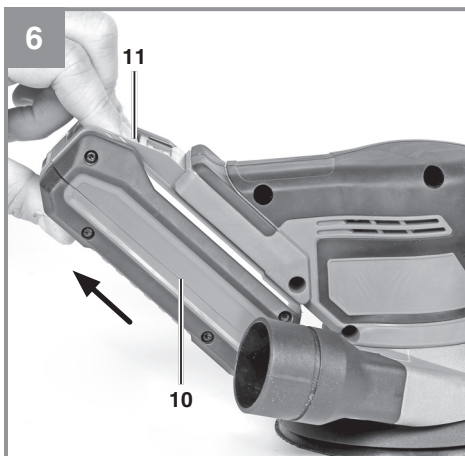
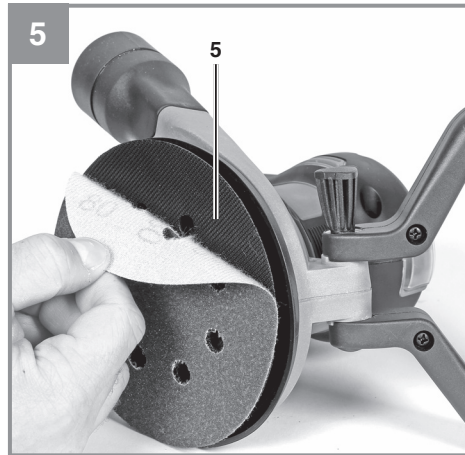
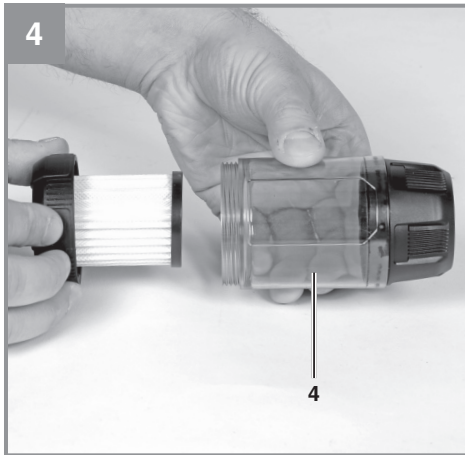


Art.-Nr.: 4462021

I.-Nr.: 21013









Danger! - Read the operating instructions to reduce the risk of injury.



Caution! Wear ear-muffs. The impact of noise can cause damage to hearing.



Caution! Wear a breathing mask. Dust which is injurious to health can be generated when working on wood and other materials. Never use the tool to work on any materials containing asbestos!



Caution! Wear safety goggles. Sparks generated during work or splinters, chips and dust emitted by the equipment can cause loss of sight.



Store the batteries only in dry rooms with an ambient temperature of 50°F to 104°F (+10°C to +40°C). Place only fully charged batteries in storage (charged at least 40%).

DANGER!

When using the equipment, a number of safety precautions must be observed to avoid injuries and damage. Please read the complete operating instructions and safety information with due care. Keep these operating instructions in a safe place so that the information is available at all times. If you give the equipment to any other person, hand over these operating instructions and the safety information as well. We cannot accept any liability for damage or accidents which arise due to failure to follow these instructions and the safety information.

1. Safety information

DANGER!

Read all the safety information and instructions. Failure to adhere to the safety information and instructions set out below may result in electric shock, fire and/or serious injury. **Keep all the safety information and instructions in a safe place for future use.**

General safety information for power tools

The term "power tool" used in the safety regulations refers to power tools operated from the mains power supply (with a power cable) and to battery operated power tools (without a power cable).

1) Work area safety

- a) **Keep work area clean and well lit.** *Cluttered and dark areas invite accidents.*
- b) **Do not operate power tools in explosive atmospheres, such as in the presence of flammable liquids, gases or dust.** *Power tools create sparks which may ignite the dust or fumes.*
- c) **Keep children and bystanders away while operating a power tool.** *Distractions can cause you to lose control.*

2) Electrical safety

- a) **Power tool plugs must match the outlet. Never modify the plug in any way. Do not use any adapter plugs with earthed (grounded) power tools.** *Unmodified plugs and matching outlets will reduce risk of electric shock.*
- b) **Avoid body contact with earthed or grounded surfaces such as pipes, radiators, ranges and refrigerators.** *There*

is an increased risk of electric shock if your body is earthed or grounded.

- c) **Do not expose power tools to rain or wet conditions.** *Water entering a power tool will increase the risk of electric shock.*
 - d) **Do not abuse the cord. Never use the cord for carrying, pulling or unplugging the power tool. Keep cord away from heat, oil, sharp edges or moving parts.** *Damaged or entangled cords increase the risk of electric shock.*
 - e) **When operating a power tool outdoors, use an extension cord suitable for outdoor use.** *Use of a cord suitable for outdoor use reduces the risk of electric shock.*
 - f) **If operating a power tool in a damp location is unavoidable, use a ground fault circuit interruptor (GFCI) protected supply.** *Use of an GFCI reduces the risk of electric shock.*
- #### 3) Personal safety
- a) **Stay alert, watch what you are doing and use common sense when operating a power tool. Do not use a power tool while you are tired or under the influence of drugs, alcohol or medication.** *A moment of inattention while operating power tools may result in serious personal injury.*
 - b) **Use personal protective equipment. Always wear eye protection.** *Protective equipment such as dust mask, non-skid safety shoes, hard hat, or hearing protection used for appropriate conditions will reduce personal injuries.*
 - c) **Prevent unintentional starting. Ensure the switch is in the Off-position before connecting to power source and/or BATTERY pack, picking up or carrying the tool.** *Carrying power tools with your finger on the switch or energizing power tools that have the switch on invites accidents.*
 - d) **Remove any adjusting key or wrench before turning the power tool on.** *A wrench or a key left attached to a rotating part of the power tool may result in personal injury.*
 - e) **Do not overreach. Keep proper footing and balance at all times.** *This enables better control of the power tool in unexpected situations.*
 - f) **Dress properly. Do not wear loose clothing or jewellery. Keep your hair, clothing and gloves away from moving parts.** *Loose clothes, jewelry or long hair*

- can be caught in moving parts.
- g) **If devices are provided for the connection of dust extraction and collection facilities, ensure these are connected and properly used.** *Use of these devices can reduce dust related hazards.*
- h) **Do not let familiarity gained from frequent use of tools allow you to become complacent and ignore tool safety principles.** *A careless action can cause severe injury within a fraction of a second.*
- 4) Power tool use and care**
- a) **Do not force the power tool. Use the correct power tool for your application.** *The correct power tool will do the job better and safer at the rate for which it was designed.*
- b) **Do not use the power tool if the switch does not turn it on and off.** *Any power tool that cannot be controlled with the switch is dangerous and must be repaired.*
- c) **Disconnect the plug from the power source and/or remove the battery pack, if detachable, from the power tool before making any adjustments, changing accessories, or storing power tools.** *Such preventive safety measures reduce the risk of starting the power tool accidentally.*
- d) **Store idle power tools out of the reach of children and do not allow persons unfamiliar with the power tool or these instructions to operate the power tool.** *Power tools are dangerous in the hands of untrained users.*
- e) **Maintain power tools and accessories. Check for misalignment or binding of moving parts, breakage of parts and any other condition that may affect the power tool's operation. If damaged, have the power tool repaired before use.** *Many accidents are caused by poorly maintained power tools.*
- f) **Keep cutting tools sharp and clean.** *Properly maintained cutting tools with sharp cutting edges are less likely to bind and are easier to control.*
- g) **Use the power tool, accessories and tool bits etc., in accordance with these instructions and in the manner intended for the particular type of power tool, taking into account the working conditions and the work to be performed.** *Use of the power tool for operations different from intended could result in a hazardous situation.*
- h) **Keep handles and grasping surfaces dry, clean and free from oil and grease.** *Slippery handles and grasping surfaces do not allow for safe handling and control of the tool in unexpected situations.*
- 5) Battery tool use and care**
- a) **Recharge only with the charger specified by the manufacturer.** *A charger that is suitable for one type of battery pack may create a risk of fire when used with another battery pack.*
- b) **Use power tools only with specifically designated battery packs.** *Use of any other battery packs may create a risk of injury and fire.*
- c) **When battery pack is not in use, keep it away from other metal objects, like paper clips, coins, keys, nails, screws or other small metal objects that can make a connection from one terminal to another.** *Shorting the battery terminals together may cause burns or a fire.*
- d) **Under abusive conditions, liquid may be ejected from the battery; avoid contact. If contact accidentally occurs, flush with water. If liquid contacts eyes, additionally seek medical help.** *Liquid ejected from the battery may cause irritation or burns.*
- e) **Do not use a BATTERY pack or tool that is damaged or modified.** *Damaged or modified batteries may exhibit unpredictable behavior resulting in fire, EXPLOSION or risk of injury.*
- f) **Do not expose a BATTERY pack or tool to fire or excessive temperature.** *Exposure to fire or temperature above 266°F (130°C) may cause explosion.*
- g) **Follow all charging instructions and do not charge the BATTERY pack or tool outside the temperature range specified in the instructions.** *Charging improperly or at temperatures outside the specified range may damage the BATTERY and increase the risk of fire.*
- 6) Service**
- a) **Have your power tool serviced by a qualified repair person using only identical replacement parts.** *This will ensure that the safety of the power tool is maintained.*
- b) **Never service damaged BATTERY packs.** *Service of BATTERY packs should only be*

performed by the manufacturer or authorized service providers.

Additional safety instructions

We pay a great deal of attention to the design of every battery pack to ensure that we supply you with batteries which feature maximum power density, durability and safety. The battery cells have a wide range of safety devices. Each individual cell is initially formatted and its electrical characteristic curves are recorded. These data are then used exclusively to be able to assemble the best possible battery packs.

Despite all the safety precautions, caution must always be exercised when handling batteries. The following points must be obeyed at all times to ensure safe use. Safe use can only be guaranteed if undamaged cells are used. Incorrect handling can cause cell damage.

Caution! Analyses confirm that incorrect use and poor care are the main causes of the damage caused by high performance batteries.

Information about the battery

1. The battery pack supplied with your cordless tool is not charged. The battery pack has to be charged before you use the tool for the first time.
2. For optimum battery performance avoid low discharge cycles. Charge the battery pack frequently.
3. Store the battery pack in a cool place, ideally at 59°F (15°C) and charged to at least 40%.
4. Lithium-Ion batteries are subject to a natural ageing process. The battery pack must be replaced at the latest when its capacity falls to just 80% of its capacity when new. Weakened cells in an aged battery pack are no longer capable of meeting the high power requirements and therefore pose a safety risk.
5. Do not throw battery packs into an open fire. There is a risk of explosion!
6. Do not ignite the battery pack or expose it to fire.
7. **Do not exhaustively discharge batteries.** Exhaustive discharge will damage the battery cells. The most common cause of deep discharge is lengthy storage or non-use of partly discharged batteries. Stop working as soon as the performance of the battery falls noticeably or the electronic protection system triggers. Place the battery pack in storage only after it has been fully charged.

8. **Protect batteries and the tool from overloads.** Overloads will quickly result in overheating and cell damage inside the battery housing without this overheating actually being apparent externally.
9. **Avoid damage and shocks.** Replace batteries which have been dropped from a height of more than one meter or which have been exposed to violent shocks without delay, even if the housing of the battery pack appears to be undamaged. The battery cells inside the battery may have suffered serious damage. In this respect, please also read the waste disposal information.
10. If the battery pack suffers overloading and overheating, the integrated protective cut-off will switch off the equipment for safety reasons. Caution! Do not press the ON/OFF switch any more if the protective cut-off has actuated. This may damage the battery.
11. Use only original battery packs. The use of other batteries may result in injuries, explosion and a fire risk.
12. **Protect your rechargeable battery against moisture, rain and high humidity.** Moisture, rain and high humidity can cause dangerous cell damage. Never charge or work with batteries which have been exposed to moisture, rain or high humidity – replace them immediately.
13. If your equipment is fitted with a detachable battery, remove the battery for safety reasons after you have finished your work.

Information on chargers and the charging process

1. Please check the data marked on the rating plate of the battery charger. Be sure to connect the battery charger to a power supply with the voltage marked on the rating plate. Never connect it to a different mains voltage.
2. Protect the battery charger and its cable from damage and sharp edges. Have damaged cables repaired without delay by a qualified electrician.
3. Keep the battery charger, batteries and the cordless tool out of children's reach.
4. Do not use damaged battery chargers.
5. Do not use the supplied battery charger to charge other cordless tools.
6. In heavy use the battery pack will become warm. Allow the battery pack to cool to room temperature before commencing with the charging.
7. **Do not over-charge batteries.** Do not

exceed the maximum charging times. These charging times apply only to discharged batteries. Frequent insertion of a charged or partly charged battery pack will result in over-charging and cell damage. Do not leave batteries in the charger for more than 48 hours.

8. **Never use or charge batteries if you suspect that the last time they were charged was more than 12 months previously.** There is a high probability that the battery pack has already suffered dangerous damage (exhaustive discharge).
9. Charging batteries at a temperature below 50°F (10°C) will cause chemical damage to the cell and may cause a fire.
10. Do not use batteries which have heated during the charging process, as the battery cells may have suffered dangerous damage.
11. Do not use batteries which have suffered curvature or deformation during the charging process or which show other non-typical symptoms (gassing, hissing, cracking,...)
12. Never fully discharge the battery pack (recommended depth of discharge max. 80%) A complete discharge of the battery pack will lead to premature ageing of the battery cells.
13. Never charge the batteries unsupervised.

Protection from environmental influences

1. Wear suitable work clothes. Wear safety goggles.
2. **Protect your cordless tool and the battery charger from moisture and rain.** Moisture and rain can cause dangerous cell damage.
3. Do not use the cordless tool or the battery charger near vapors and inflammable liquids.
4. Use the battery charger and cordless tools only in dry conditions and an ambient temperature of 50°F to 104°F (10°C to 40°C).
5. Do not keep the battery charger in places where the temperature is liable to reach over 104°F (40°C). In particular, do not leave the battery charger in a car that is parked in the sunshine.
6. **Protect batteries from overheating.** Overloads, over-charging and exposure to direct sunlight will result in overheating and cell damage. Never charge or work with batteries which have been overheated – replace them immediately if possible.
7. **Storage of batteries, battery chargers and cordless tools.** Store the charger and your cordless tool only in dry places with an

ambient temperature of 50°F to 104°F (10°C to 40°C). Store the Lithium-Ion rechargeable battery in a cool and dry place at 50°F to 68°F (10°C to 20°C). Protect them from humidity and direct sunlight! Place only fully charged batteries in storage (charged at least 40%).

8. Prevent the Lithium-Ion battery pack from freezing. Battery packs which were stored below 32°F (0°C) for more than 60 minutes must be disposed of.
9. When handling batteries beware of electrostatic charge: Electrostatic discharges cause damage of the electronic protection system and the battery cells. Avoid electrostatic charging and never touch the battery poles.

Battery Caution + Disposal

Disposal

Should your appliance need replacement after extended use, do not dispose of it with the household refuse, but in an environmentally safe way.



Waste produced by electrical machine items should not be handled like normal household rubbish. Please recycle where recycle facilities exist. Check with your local authority or retailer for recycling advice.

Always dispose of your battery pack according to federal, state, provincial and local regulations. Contact a recycling agency in your area for recycling locations.

⚠ CAUTION! Even discharged battery packs contain some energy. Before disposing, use electrical tape to cover the terminals to prevent the battery pack from shorting, which could cause a fire or explosion.

⚠ WARNING! To reduce the risk of injury or explosion, never burn or incinerate a battery pack even if it is damaged, dead, or completely discharged. When burned, toxic fumes and materials are emitted into the surrounding atmosphere.

1. Batteries vary according to device. Consult your manual for specific information.
2. Install only new batteries of the same type in your product (where applicable).
3. Failure to insert batteries in the correct polarity, as indicated in the battery compartment or manual, may shorten the life of the batteries or cause batteries to leak.
4. Do not mix old and new batteries.
5. Do not mix Alkaline, Standard (Carbon-Zinc),

- or Rechargeable (Nickel Cadmium, Nickel Metal Hydride, or Lithium-Ion) batteries.
- 6. Do not dispose of batteries in fire.
- 7. Batteries should be recycled or disposed of as per state, provincial and local guidelines.

When shipping or disposing of batteries and cordless tools, always ensure that they are packed individually in plastic bags to prevent short circuits and fires.

Special safety information

- This tool may be used only for dry grinding/sanding operations.
- Use on materials containing asbestos is prohibited.
- To protect your health, always wear safety goggles and a dust mask during sanding/grinding work!
- Keep your workplace clean and well illuminated.
- Make sure that the workpiece is sufficiently secured so that it cannot slip.
- Keep children away.
- For your own sake, keep the equipment clean at all times and check it for signs of damage each time after using it.
- Make sure that the switch is set to OFF before you connect up the tool.
- Make sure of your footing, particularly when working on ladders and platforms.
- Harmful or toxic dust can be produced when working on wood or metal.
- Touching or inhaling this dust can be harmful for the operator and other persons nearby.
- **Important! Wear safety goggles and a dust mask.**

Children must always be supervised in order to ensure that they do not play with the equipment.

SAVE THESE INSTRUCTIONS

2. Layout and items supplied

2.1 Layout

1. On/Off switch
2. Dust extraction adapter
3. Speed controller
4. Dust collection box
5. Orbital plate
6. Battery capacity indicator
7. Battery capacity indicator button

8. Handle
9. Additional handle
10. Battery pack (not supplied)
11. Pushlock button

2.2 Items supplied

Please check that the article is complete as specified in the scope of delivery. If parts are missing, please contact our service center or the store where you made your purchase at the latest within 5 work days after purchasing the article and upon presentation of a valid bill of purchase.

- Open the packaging and take out the equipment with care.
- Remove the packaging material and any packaging and/or transportation braces (if present).
- Check to see if all the items are supplied.
- Inspect the equipment and accessories for transport damage.
- If possible, keep the packaging until the end of the guarantee period.

Danger!

The equipment and packaging material are not toys. Do not let children play with plastic bags, plastic sheets and small parts. There is a risk of choking and suffocating!

- Random Orbit Sander
- Dust collection box
- 3x Sanding discs
- Original operating instruction with safety information

Separately available accessories

- 18V 1.5Ah PXC Lithium-Ion battery
- 18V 2.0Ah PXC Lithium-Ion battery
- 18V 2.5Ah PXC Lithium-Ion battery
- 18V 3.0Ah PXC Lithium-Ion battery
- 18V 4.0Ah PXC Lithium-Ion battery
- 18V 3.0Ah PXC Plus Lithium-Ion battery
- 18V 4.0Ah PXC Plus Lithium-Ion battery
- 18V 5.2Ah PXC Plus Lithium-Ion battery
- 18V 4.0Ah/6.0Ah PXC Plus Lithium-Ion battery
- 18V 5.0Ah/8.0Ah PXC Plus Lithium-Ion battery
- 18V PXC Dual Port Fast Charger
- 18V PXC Fast Charger


Contact your local retailer for more specific models of batteries and charger available in your area. You can also explore battery + charger options at Einhell.com.

3. Intended use

The machine is designed for the sanding of wood, metal, plastic and similar materials using the appropriate sanding paper. The equipment is not suitable for wet sanding.

The equipment is allowed to be used only for its prescribed purpose. Any other use is deemed to be a case of misuse. The user/operator and not the manufacturer will be liable for any damage or injuries of any kind resulting from such misuse.

4. Technical data

Motor power supply: 18V 
 Idling speed: 3000-12000 RPM
 Oscillating speed: 6000-24000 RPM
 Sanding area: Ø 5"
 Abrasive paper size
 (Hook-and-loop fastener): Ø 5"
 Orbit diameter: 1/8"
 Weight (Tool only): 2.4 lbs

Wear ear-muffs.

The impact of noise can cause damage to hearing.

Reduce noise generation and vibration to a minimum!

- Use only equipment that is in perfect condition.
- Maintain and clean the equipment regularly.
- Adapt your way of working to the equipment.
- Do not overload the equipment.
- Have the equipment checked if necessary.
- Switch off the equipment when not in use.

CAUTION!

Residual risks

Even if you use this electric power tool in accordance with the instructions, certain residual risks cannot be eliminated. The following hazards may arise in connection with the equipment's construction and layout:

1. Lung damage if no suitable protective dust mask is used.
2. Damage to hearing if no suitable ear protection is applied.
3. Health damage caused by hand-arm vibrations if the equipment is used over a

longer period or is not properly guided and maintained.

Limit the operating time.

All stages of the operating cycle must be considered (for example, times in which the electric tools are switched off and times in which the tool is switched on but operates without load).

5. Before starting the equipment

Warning!

Always remove the battery pack before making adjustments to the equipment.

Be sure to read the following information before you put the cordless equipment into operation:

- Charge the battery pack with the charger (battery and charger not included). An empty battery pack requires a charging period of approximately 0.5 to 1 hour.

5.1 Fitting the dust collection box (Fig. 2/ Item 4)

- Fit the dust collection box (4) on the dust extraction adapter (2) by turning it gently as far as the notch as shown in Fig. 2.
- The dust is extracted directly through the abrasive paper and the sanding disc into the dust collection box.
- Remove the dust collection box in reverse order.
- Using the dust extraction adapter (2) you can also connect the equipment directly to a suitable vacuum cleaner (Fig. 3).

Caution!

For health reasons it is imperative that you use the dust collection box or a dust extraction system.

5.2 Emptying the dust collection box (Fig. 4/ Item 4)

- To empty the dust collection box (4), open it as shown in Fig. 4 and clean it thoroughly.
- The filter is held by a bayonet fastener and can also be removed for cleaning with compressed air if necessary.
- Then everything must be reassembled in reverse order.
- Finally the dust collection box (4) can be refitted on the dust extraction adapter (2).

5.3 Fastening the abrasive paper with the Hook-and-loop fastener system (Fig. 5)

- Only use abrasive paper with the corresponding dimensions and matching perforations.
- Place the abrasive paper onto the orbital plate (5) as shown in Fig. 5. Make sure that the perforations in the abrasive paper coincide with the orbital plate.
- To remove the abrasive paper, simply pull it off.

6. Operation

6.1 Charging the Lithium-Ion battery (not included)

The corresponding instructions can be found in the original operating instructions for your charger.

6.2 Battery capacity indicator (Fig. 7 / item 6)

Press the battery capacity indicator switch (7). The battery capacity indicator (6) shows the charge status of the battery using 3 LEDs.

All 3 LEDs lit:

The battery is fully charged.

2 or 1 LED(s) lit:

The battery has an adequate remaining charge.

1 LED flashing:

The battery is empty, recharge the battery.

All LEDs flashing:

The temperature of the battery is too low. Remove the battery from the device and leave it at room temperature for a day. If the error occurs again, this means that the battery has been completely depth-discharged and is defective. Remove the battery from the device. Never use or charge a defective battery.

6.3 Switching on and off (Fig. 8/Item 1)

- To switch on the equipment, move the switch (1) from "0" to "I".
- To switch off the equipment, move the switch (1) from "I" to "0".

6.4 Speed controller (Fig. 9/Item 3)

You can select the speed by turning the speed controller (3).

Plus direction: Higher speed
Minus direction: Lower speed

6.5 Working with the Random Orbit Sander

- Place the whole surface area of the sanding disk on the material.
- Switch on the machine and move it with gentle pressure over the workpiece, making circular or transverse and linear movements.
- Use a coarse grit for coarse sanding and a finer grit for finish sanding. You can find the best grit size for the job by carrying out sanding tests.

Caution!

The dust which is formed while the equipment is being used may be a health hazard:

- Always wear safety goggles and a dust mask during sanding work.
- All persons who work with the equipment or enter the workplace must wear a protective dust mask.
- Eating, drinking and smoking are prohibited at the workplace.
- Paints containing lead are not allowed to be sanded!

7. Cleaning and maintenance

HAZARD!

Always take the battery out of the equipment before starting any cleaning work.

7.1 Cleaning

- Keep all safety devices, air vents and the motor housing free of dirt and dust as far as possible. Wipe the equipment with a clean cloth or blow it down with compressed air at low pressure.
- We recommend cleaning the equipment immediately each time after use.
- Clean the equipment regularly with a damp cloth and some soft soap. Do not use cleaning agents or solvents; these may be aggressive to the plastic parts in the equipment. Ensure that no water can get into the interior of the equipment. The ingress of water into an electric power tool increases the risk of an electric shock.

7.2 Maintenance

There are no other parts inside the equipment which require maintenance.

8. Disposal and recycling

The equipment is supplied in packaging to prevent it from being damaged in transit. The raw materials in this packaging can be reused or recycled. The equipment and its accessories are made of various types of material, such as metal and plastic. Never place defective equipment in your household refuse. The equipment should be taken to a suitable collection center for proper disposal. If you do not know the whereabouts of such a collection point, you should ask in your local council offices.

9. Storage

Store the equipment and its accessories out of children's reach in a dark and dry place at above freezing temperature. The ideal storage temperature is between 50°F and 104°F (10°C and 40°C). Keep the electric tool in its original packaging.

The reprinting or reproduction by any other means, in whole or in part, of documentation and papers accompanying the products is strictly subject to the express consent of Einhell Germany AG.

Subject to technical changes.



Danger! - Lire le mode d'emploi pour diminuer le risque de blessures.



Attention ! Portez une protection auditive. Le bruit peut provoquer une perte d'acuité auditive.



Attention ! Portez un masque anti-poussières. Des poussières nocives peuvent être générées lors des travaux avec le bois et autres matériaux. Ne travaillez pas avec un matériau contenant de l'amiante !



Attention ! Portez des lunettes de protection. Les étincelles créées pendant le travail ou les éclats, les copeaux et les poussières sortant de l'appareil peuvent entraîner la perte de la vue.



Conservez les batteries uniquement dans des locaux secs et à une température ambiante de 50-104 °F (+10-+40 °C). Conservez les batteries uniquement en état chargé (au moins 40 % de charge).

Danger !

Certaines mesures de sécurité doivent être respectées pendant l'utilisation des appareils pour empêcher les blessures et les dommages. Par conséquent, lisez attentivement le présent mode d'emploi / les consignes de sécurité. Conservez-les bien pour avoir les informations toujours à la portée de la main. Si vous devez passer l'appareil à d'autres personnes, veuillez leur remettre également le présent mode d'emploi / les consignes de sécurité. Nous ne sommes pas tenus des accidents ou dommages survenus à cause de non-respect du présent mode d'emploi et des consignes de sécurité.

1. Consignes de sécurité**Danger !**

Lisez toutes les consignes de sécurité et instructions. Le non-respect des consignes de sécurité et des instructions peut causer une électrocution, un incendie et / ou de graves blessures. **Conservez toutes les consignes de sécurité et instructions pour l'avenir.**

Consignes générales de sécurité pour les outils électriques

Le terme « outil électrique » utilisé dans les consignes de sécurité se réfère à des outils électriques alimentés par le secteur (avec câble d'alimentation) et à des outils électriques alimentés par la batterie (sans câble d'alimentation).

1. Sécurité du lieu de travail

- a) **Maintenez votre espace de travail propre et bien éclairé.** *Le désordre ou les espaces de travail non éclairés peuvent provoquer des accidents.*
- b) **Ne travaillez pas avec l'outil électrique dans une atmosphère explosible contenant des liquides, des gaz ou des poussières combustibles.** *Les appareils électriques génèrent des étincelles pouvant enflammer la poussière ou les vapeurs.*
- c) **Tenez à distance les enfants et autres personnes lors de l'utilisation de l'appareil électrique.** *En cas de distraction, vous pouvez perdre le contrôle de l'appareil.*

2. Sécurité électrique

- a) **La fiche de raccordement de l'appareil électrique doit être adaptée à la prise. La fiche ne doit être modifiée en aucune façon. N'utilisez pas de fiche d'adaptateur avec les outils électriques mis à la terre.** *Les fiches non modifiées et les prises adaptées diminuent le risque d'une électrocution.*
 - b) **Évitez le contact physique avec les surfaces mises à la terre, comme celles de conduits, des chauffages, des cuisinières et des réfrigérateurs.** *Il existe un risque élevé d'électrocution lorsque votre corps est mis à la terre.*
 - c) **Gardez les appareils électriques à l'abri de la pluie ou de l'humidité.** *La pénétration de l'eau dans un appareil électrique augmente le risque d'une électrocution.*
 - d) **Ne détournez pas le câble de sa fonction pour porter ou pour accrocher l'appareil électrique ou pour retirer la fiche de la prise. Gardez le câble à l'abri de la chaleur, de l'huile, des bords coupants ou des éléments mobiles de l'appareil.** *Les câbles endommagés ou enchevêtrés augmentent le risque d'une électrocution.*
 - e) **Si vous travaillez avec un appareil électrique dehors, utilisez uniquement une rallonge adaptée à l'usage à l'extérieur.** *L'utilisation d'une rallonge adaptée à l'usage à l'extérieur diminue le risque d'une électrocution.*
 - f) **Si l'appareil électrique doit être utilisé dans un environnement humide, utilisez un Disjoncteur de fuite à la terre.** *L'utilisation d'un disjoncteur de fuite à la terre diminue le risque d'une électrocution.*
- 3. Sécurité des personnes**
- a) **Soyez attentif, prenez garde à ce que vous faites et soyez raisonnable en travaillant avec un outil électrique. N'utilisez pas un appareil électrique si vous êtes fatigué ou si vous vous trouvez sous l'effet de drogues, d'alcool ou de médicaments.** *Un instant d'inattention lors de l'utilisation de l'appareil électrique peut entraîner de graves blessures.*
 - b) **Utilisez l'équipement de protection individuelle. Porter toujours une protection des yeux.** *L'équipement de protection, tel que le masque anti-poussière, les chaussures de sécurité antidérapantes, le casque protecteur ou la protection auditive utilisés dans des conditions appropriées, permet de réduire les*

- dommages corporels.*
- c) **Évitez tout démarrage non intentionnel. S'assurer que le bouton marche-arrêt est en position Arrêt (Off) avant de connecter la source de courant et/ou la BATTERIE, de prendre et de transporter l'outil. Transporter des outils électriques avec votre doigt sur le bouton marche-arrêt ou mettre sous tension des outils électriques dont le bouton marche-arrêt est position Marche (On) peut causer des accidents.**
- d) **Avant d'allumer l'outil électrique, retirez les outils de réglage ou les clés. Un outil ou une clé se trouvant dans un élément tournant de la machine peut entraîner des blessures.**
- e) **Évitez une posture anormale. Ayez un appui stable et gardez l'équilibre en permanence. Vous pouvez ainsi mieux contrôler l'outil électrique dans des situations imprévues.**
- f) **Portez des vêtements appropriés. Ne portez pas de vêtements amples ni de bijoux. Gardez les cheveux, les vêtements et les gants à distance des éléments mobiles. Des vêtements amples, bijoux ou longs cheveux peuvent être happés par les éléments mobiles.**
- g) **Si des dispositifs d'aspiration ou de récupération des poussières peuvent être montés, assurez-vous qu'ils sont connectés et peuvent être utilisés correctement. L'utilisation d'une aspiration des poussières peut diminuer les risques causés par la poussière.**
- h) **La familiarité acquise par l'utilisation fréquente des outils ne doit pas laisser place à la complaisance et à l'ignorance des principes de sécurité de l'outil. Une action imprudente peut causer de graves blessures en une fraction de seconde.**
- 4. Utilisation et traitement de l'outil électrique**
- a) **Ne surchargez pas l'appareil. Utilisez l'outil électrique adapté à votre application. Vous travaillez mieux et de manière plus sûre avec un outil électrique approprié dans la gamme de puissance indiquée.**
- b) **N'utilisez pas un outil électrique avec un interrupteur défectueux. Un outil électrique qui ne peut plus être allumé ou éteint est dangereux et doit être réparé.**
- c) **Débranchez la fiche de la source électrique et / ou retirez la batterie de l'outil électrique, si elle est amovible, avant de procéder à des ajustements, remplacer des accessoires ou ranger les outils électriques. De telles mesures préventives réduisent le risque de démarrage accidentel de l'outil électrique.**
- d) **Conservez les outils électriques non utilisés hors la portée des enfants. Ne permettez pas aux personnes qui ne sont pas familiarisées avec cet appareil ou qui n'ont pas lu ces instructions de l'utiliser. Les outils électriques sont dangereux lorsqu'ils sont utilisés par des personnes inexpérimentées.**
- e) **Entretenez les outils électriques et les accessoires. Vérifiez la dérive d'alignement ou l'attache des pièces mobiles, la rupture des pièces et s'assurer qu'aucun autre problème peut affecter le bon fonctionnement de l'outil électrique. Faire réparer l'outil endommagé avant l'utilisation. De nombreux accidents sont dus au mauvais entretien des outils électriques.**
- f) **Maintenez vos outils de coupe aiguisés et propres. Les outils de coupe aux bords tranchants bien soignés se coincent moins et sont plus aisés à guider.**
- g) **Utilisez l'outil électrique, les accessoires, les outils utilisés, etc. conformément au présent mode d'emploi. Tenez compte des conditions de travail et de l'activité à réaliser. L'utilisation des outils électriques pour des usages autres que prévus peut entraîner des situations dangereuses.**
- h) **Gardez les poignées et les surfaces de prise sèches, propres et exemptes d'huile et de graisse. Les poignées et surfaces de prise glissantes ne permettent pas d'effectuer une manipulation et un contrôle de l'outil en toute sécurité dans des situations imprévues.**
- 5. Utilisation et traitement de l'outil sans fil**
- a) **Chargez les batteries uniquement dans les chargeurs recommandés par le fabricant. L'utilisation d'un chargeur pour des batteries non appropriées présente un risque d'incendie.**
- b) **Utilisez dans les outils électriques uniquement les batteries prévues à cet effet. L'utilisation d'autres batteries peut entraîner des blessures et le risque d'incendie.**
- c) **Conservez la batterie non utilisée à distance des trombones, pièces de monnaie, clés, clous, vis ou autres menus objets en métal susceptibles de provoquer un**

pontage des contacts. *Un court-circuit entre les contacts de la batterie peut entraîner des brûlures ou le feu.*

- d) **En cas d'utilisation incorrecte, un liquide peut s'échapper de la batterie. Ne le touchez pas. Rincez à l'eau en cas de contact fortuit. Si le liquide entre en contact avec les yeux, consultez également le médecin.** *Le liquide s'échappant de la batterie peut causer des irritations cutanées ou des brûlures.*
- e) **Ne pas utiliser une BATTERIE ou un outil endommagé(e) ou modifié(e).** *Les batteries endommagées ou modifiées peuvent agir de manière imprévisible et donner lieu à un incendie, une EXPLOSION ou un risque de blessure.*
- f) **Ne pas exposer une BATTERIE ou un outil au feu ou à une température excessive.** *Une exposition au feu ou à une température supérieure à 266°F (130°C) peut causer une explosion.*
- g) **Suivre toutes les instructions de charge et ne pas charger la BATTERIE ou l'outil en dehors de la gamme de température spécifiée dans les instructions.** *Un mauvais chargement ou un chargement à des températures en dehors de la gamme spécifiée peut endommager la BATTERIE et augmenter les risques d'incendie.*
- 6. Service**
- a) **Faites réparer votre outil électrique uniquement par des spécialistes qualifiés et uniquement avec des pièces de rechange d'origine.** *Cela garantit le maintien de la sécurité de l'outil électrique.*
- b) **Ne jamais entretenir des BATTERIES endommagées.** *L'entretien des BATTERIES doit être effectué uniquement par le fabricant ou par des prestataires de service autorisés.*

Consignes spécifiques de sécurité

Nous construisons chaque batterie avec le plus grand soin possible pour pouvoir vous transmettre les batteries avec la densité énergétique, la durabilité et la sécurité maximales. Les cellules de batterie sont munies de dispositifs de sécurité de plusieurs niveaux. Chaque cellule individuelle est d'abord formatée, et leurs courbes caractéristiques sont enregistrées. Ensuite, ces données sont utilisées pour pouvoir regrouper les meilleures batteries possible.

Malgré toutes les mesures de sécurité, il faut toujours être prudent en maniant les

batteries. Les points suivants doivent être impérativement respectés pour assurer le fonctionnement sûr.

Le fonctionnement sûr n'est possible qu'avec des cellules intactes ! Une manipulation incorrecte endommage les cellules.

Attention ! Des analyses confirment que l'utilisation gravement inappropriée et des soins incorrects constituent la cause principale des dommages dus aux batteries haute performance.

Consignes concernant les batteries

1. La batterie de l'appareil sans fil n'est pas chargée à la livraison. Par conséquent, la batterie doit être chargée avant la première mise en service.
2. Évitez des cycles de décharge à plat pour garantir la performance maximale de la batterie ! Chargez souvent votre batterie.
3. Conservez votre batterie au frais, au mieux à 59 °F (+15 °C), et chargée d'au moins à 40%.
4. Les batteries Lithium-Ion sont sujettes au vieillissement naturel. La batterie doit être remplacée au plus tard lorsque la capacité de la batterie ne correspond plus qu'à 80 % de l'état neuf. Les cellules affaiblies dans une batterie vieillie ne tiennent plus la tête aux exigences élevées en terme de performance et présentent ainsi un risque de sécurité.
5. Ne jetez pas les batteries usées dans le feu ouvert. Risque d'explosion !
6. Ne pas allumer la batterie et ne pas l'exposer à la combustion.
7. **Ne pas décharger complètement la batterie !** La décharge complète endommage les cellules de la batterie. La cause la plus fréquente de la décharge complète de la batterie constitue un stockage ou non-utilisation prolongés des batteries à moitié chargées. Terminez l'opération dès que la puissance diminue visiblement ou la protection électronique réagit. Ne conservez la batterie que complètement chargée.
8. **Protéger les batteries et l'appareil contre la surcharge !** Une surcharge provoque rapidement la surchauffe et l'endommagement des cellules à l'intérieur du boîtier de batterie, sans que cela puisse se voir de l'extérieur.
9. **Évitez les détériorations et les chocs !** Remplacez sur-le-champ les batteries ayant chuté d'une hauteur de plus d'un mètre ou ayant été exposées à des coups violents, même si le boîtier de la batterie semble intact.

Les cellules de la batterie peuvent être sérieusement endommagées à l'intérieur. Respectez à cet égard également les consignes d'élimination.

10. En cas de surcharge et de surchauffe, le circuit de protection intégré éteint l'appareil pour des raisons de sécurité.
Attention ! N'actionnez plus l'interrupteur marche / arrêt lorsque le circuit de protection a éteint l'appareil. Cela peut endommager la batterie.
11. N'utilisez que des batteries d'origine. L'utilisation d'autres batteries peut entraîner des blessures, une explosion et le risque d'incendie.
12. **Protégez votre batterie de l'humidité, de la pluie et de l'humidité de l'air élevée.** L'humidité, la pluie et l'humidité de l'air élevée peuvent endommager dangereusement les cellules. En aucun cas, ne chargez ni ne travaillez avec la batterie qui a été exposée à l'humidité, à la pluie ou à l'humidité de l'air élevée – remplacez-les immédiatement !
13. Si votre appareil est équipé d'une batterie amovible, retirez-la de votre appareil à la fin de votre travail pour des raisons de sécurité.

Consignes concernant le chargeur et la charge

1. Tenez compte des informations indiquées sur la plaque signalétique du chargeur. Raccordez le chargeur uniquement à la tension d'alimentation indiquée sur la plaque signalétique.
2. Protégez le chargeur et le fil contre l'endommagement et les bords coupants. Les câbles endommagés doivent être immédiatement remplacés par un électricien.
3. Protéger le chargeur, les batteries et l'appareil sans fil contre les enfants.
4. Ne pas utiliser des chargeurs endommagés.
5. N'utilisez pas le chargeur fourni pour charger d'autres appareils sans fil.
6. En cas de forte sollicitation, la batterie se réchauffe. Laissez refroidir la batterie à la température ambiante avant le chargement.
7. **Ne pas surcharger les batteries !** Respectez les durées maximales du chargement. Ces durées de chargement s'appliquent uniquement aux batteries déchargées. Le branchement répété d'une batterie chargée ou partiellement chargée entraîne la surcharge et l'endommagement des cellules. Ne pas laisser les batteries insérées dans le chargeur pendant plus que 48 heures.

8. **N'utilisez ni chargez pas les batteries que vous supposez avoir été chargées pour la dernière fois depuis plus de 12 mois.** Il est hautement probable que la batterie est déjà dangereusement endommagée (déchargement complet).
9. Un chargement à une température inférieure à 50 °F (10 °C) entraîne une détérioration chimique de la cellule et peut provoquer un incendie.
10. N'utilisez pas de batteries qui se sont réchauffées pendant le chargement, car les cellules de la batterie pourraient être dangereusement endommagées.
11. N'utilisez plus les batteries qui se sont bombées ou déformées pendant le chargement ou qui présentent des symptômes inhabituels (dégazage, sifflement, grésillement, ...).
12. Ne déchargez pas complètement la batterie (déchargement maximal recommandé max. 80 %). Le déchargement complet entraîne un vieillissement précoce des cellules de la batterie.
13. Ne chargez jamais les batteries sans surveillance !

Protection contre l'impact environnemental

1. Portez des vêtements de travail appropriés. Porter des lunettes de protection.
2. **Protégez votre appareil sans fil et le chargeur contre l'humidité et la pluie.** L'humidité et la pluie peuvent entraîner des endommagements dangereux des cellules.
3. Ne pas utiliser l'appareil sans fil et le chargeur dans un espace contenant des vapeurs et des liquides combustibles.
4. Utilisez le chargeur et les appareils sans fil uniquement en état sec et à une température ambiante de 50-104 °F (10-40 °C).
5. Ne conservez pas la batterie dans des endroits où la température peut être supérieure à 104 °F (40 °C), en particulier dans un véhicule garé au soleil.
6. **Protégez les batteries contre la surchauffe !** Une surcharge, un chargement excessif ou le rayonnement solaire entraînent la surchauffe et détériorent les cellules. Ne chargez ni travaillez en aucun cas avec les batteries qui ont été surchauffées, remplacez-les sans tarder.
7. **Conservation des batteries, des chargeurs et de l'appareil sans fil.** Conservez le chargeur et votre appareil sans fil uniquement dans des locaux secs à une température ambiante de 50-104 °F (10-40 °C).

Conservez la batterie Lithium-Ion au frais et au sec à 50-68 °F (10-20 °C). Protégez contre l'humidité de l'air et le rayonnement solaire direct ! Conservez les batteries uniquement en état chargé (au moins 40 % de charge).

8. Empêchez que la batterie Lithium-Ion gèle. Les batteries qui ont été conservées plus de 60 minutes au-dessous de 32 °F (0 °C) doivent être éliminées.
9. Attention lors de la manipulation des batteries en rapport avec la charge électrostatique : les décharges électrostatiques endommagent la protection électronique et les cellules de la batterie ! Par conséquent, évitez les décharges électrostatiques et ne touchez jamais les pôles de la batterie !

Mise en garde concernant les batteries et informations sur leur élimination

Élimination

Si votre outil doit être remplacé après une période d'utilisation prolongée, ne le jetez pas avec les ordures ménagères, mais éliminez-le d'une manière respectueuse pour l'environnement.



Les déchets produits par les éléments d'un outil ou d'une machine électrique ne doivent pas être traités comme des déchets ménagers. Veuillez les recycler dans les installations prévues à cet effet.

Pour obtenir des conseils sur le recyclage, communiquez avec les services publics locaux ou avec votre revendeur.

Éliminez toujours les batteries en vous conformant aux réglementations fédérales, provinciales ou territoriales et locales.

Communiquez avec un organisme de recyclage de votre région pour obtenir la liste des sites de recyclage.

⚠ MISE EN GARDE! Même déchargée, une batterie emmagasine une certaine énergie. Avant de l'éliminer, utilisez du ruban isolant pour couvrir les bornes et empêcher ainsi la batterie de provoquer un court-circuit, ce qui pourrait causer un incendie ou une explosion.

⚠ AVERTISSEMENT! Pour réduire le risque de blessure ou d'explosion, ne jamais brûler ou incinérer une batterie, même si elle est endommagée, à plat ou complètement déchargée. En brûlant, des vapeurs et des matières toxiques sont émises dans l'atmosphère environnante.

1. Les batteries varient selon le type d'outils ou de machines. Consulter le manuel pour des

renseignements spécifiques.

2. Le cas échéant, insérez uniquement des batteries neuves de même type dans l'outil ou la machine.
3. Si, en l'insérant, la polarité de la batterie n'est pas respectée, comme indiqué dans le compartiment à batterie ou dans le manuel, sa durée de vie pourrait être réduite ou elle pourrait fuir.
4. Ne pas mélanger des batteries anciennes et des neuves.
5. Ne pas mélanger des batteries alcalines, standard (carbone/zinc) ou rechargeables (au nickel-cadmium, au nickel-métal-hydrure ou au lithium-ion).
6. Ne jeter aucune batterie au feu. Les cellules de batterie peuvent exploser.
7. Les batteries doivent être recyclées ou éliminées en observant les directives provinciales ou territoriales et locales.

Pour expédier ou éliminer les batteries ou l'appareil sans fil, veillez à ce qu'ils soient emballés individuellement dans un sachet en plastique pour empêcher les courts-circuits ou les incendies !

Consignes de sécurité particulières

- L'appareil doit être utilisé uniquement pour le ponçage à sec.
- Ne pas traiter des matériaux contenant de l'amiante.
- Pour protéger votre santé pendant les travaux de ponçage, portez un masque anti-poussière et des lunettes de protection !
- Le lieu de travail doit être propre et bien éclairé.
- Veillez à ce que la pièce à usiner soit bien protégée contre le glissement.
- Éloignez les enfants.
- Dans votre propre intérêt, maintenez votre appareil toujours propre et examinez-le après l'usage sur la présence de dommages.
- Assurez-vous que l'interrupteur est fermé lors du branchement.
- Veillez à la stabilité surtout sur les échelles et les échafaudages.
- Lors des travaux sur le bois ou le métal pré-traités, des poussières nocives ou même toxiques peuvent se dégager.
- Le contact ou l'inhalation de ces poussières peuvent être dangereuses pour l'opérateur et les personnes se trouvant à proximité.
- **Attention ! Portez des lunettes de protection et un masque anti-poussière.**

Surveillez les enfants pour être sûr qu'ils ne jouent pas avec l'appareil.

CONSERVER CES INSTRUCTIONS

2. Description de l'appareil et contenu de l'emballage

2.1 Description de l'appareil

1. Interrupteur marche / arrêt
2. Adaptateur d'extraction de poussière
3. Régulateur de vitesse de rotation
4. Boîte de collection de poussière
5. Plaque oscillante
6. Témoin de charge de la batterie
7. Bouton de témoin de charge de la batterie
8. Poignée
9. Poignée supplémentaire
10. Batterie (non fourni)
11. Touche d'enclenchement

2.2 Contenu d'emballage

Veillez contrôler l'intégralité de l'article au moyen du contenu d'emballage décrit. En cas de pièces manquantes, veuillez contacter notre centre de service à la clientèle ou le point de vente où vous avez acheté l'appareil au plus tard dans les 5 jours ouvrables à compter de l'achat de l'article en présentant un ticket de caisse valable.

- Ouvrez l'emballage et retirez prudemment l'appareil.
- Enlevez le matériau d'emballage ainsi que les sécurités d'emballage et de transport (le cas échéant).
- Vérifiez l'intégralité du contenu d'emballage.
- Vérifiez si l'appareil et les accessoires présentent des dommages dus au transport.
- Si possible, conservez l'emballage jusqu'à l'expiration de la durée de garantie.

Danger !

L'appareil et le matériau d'emballage ne sont pas un jouet ! Les enfants ne doivent pas jouer avec des sachets en plastique, des films ou de petites pièces ! Il existe le risque d'ingestion et de suffocation !

- Ponceuse orbitale
- Boîte de collection de poussière
- 3x Disques de ponçage
- Mode d'emploi d'origine avec consignes de sécurité

Accessoires disponibles séparément

- 18V 1,5Ah PXC batterie Lithium-Ion
- 18V 2,0Ah PXC batterie Lithium-Ion
- 18V 2,5Ah PXC batterie Lithium-Ion
- 18V 3,0Ah PXC batterie Lithium-Ion
- 18V 4,0Ah PXC batterie Lithium-Ion
- 18V 3,0Ah PXC Plus batterie Lithium-Ion
- 18V 4,0Ah PXC Plus batterie Lithium-Ion
- 18V 5,2Ah PXC Plus batterie Lithium-Ion
- 18V 4,0Ah/6,0Ah PXC Plus batterie Lithium-Ion
- 18V 5,0Ah/8,0Ah PXC Plus batterie Lithium-Ion
- 18V PXC chargeur rapide à double raccord
- 18V PXC chargeur rapide


Contactez votre détaillant pour les modèles plus spécifiques de batteries et de chargeurs disponibles dans votre région. Vous pouvez également explorer les options de batterie + chargeur sur Einhell.com.

3. Utilisation conforme

L'appareil convient pour poncer le bois, le métal, le plastique et les matériaux semblables en utilisant le disque de ponçage correspondant. L'appareil ne convient pas pour le ponçage humide.

La machine ne doit être utilisée que conformément à sa destination. Toute autre utilisation dépassant ce cadre n'est pas conforme. C'est l'utilisateur / l'opérateur qui est responsable de tous les dommages ou blessures de toute nature en résultant et non pas le fabricant.

4. Caractéristiques techniques

Alimentation en tension moteur : 18V 

Vitesse au ralenti : 3000-12000 tr/min (RPM)

Vitesse orbitale: 6000-24000 tr/min (RPM)

Surface abrasive : Ø 127 mm (5")

Diamètre du disque de ponçage (auto-agrippant) Ø 127 mm (5")

Diamètre de l'orbite: 3,2 mm (1/8")

Poids (Outil seulement):..... 1,1 kg (2,4 lb)

Portez une protection auditive.

Le bruit peut provoquer une perte d'acuité auditive.

Limitez à un minimum l'émission de bruit et les vibrations !

- Utilisez uniquement des appareils irréprochables.
- Entretenez et nettoyez l'appareil régulièrement.
- Adaptez votre méthode de travail à l'appareil.
- Ne surchargez pas l'appareil.
- Faites examiner l'appareil le cas échéant.
- Éteignez l'appareil lorsqu'il n'est plus utilisé.

Attention !

Risques résiduels

Il existe toujours des risques même si vous vous servez correctement de cet outil électrique. Les risques suivants peuvent se produire en rapport avec la structure et la réalisation de cet outil électrique :

1. Lésions pulmonaires, si vous ne portez pas de masque anti-poussières approprié.
2. Lésions auditives, si vous ne portez pas de protection auditive appropriée.
3. Dommages pour la santé résultant des vibrations mains-bras, si votre appareil est utilisé d'une manière prolongée ou tenu et entretenu de manière incorrecte.

Limitez la durée de travail.

À cet égard, toutes les parties du cycle de fonctionnement doivent être respectées (par exemple, les périodes pendant lesquelles l'outil électrique est éteint et celles pendant lesquelles il reste allumé mais fonctionne sans charge).

5. Avant la mise en service

Avertissement !

Retirez toujours la batterie avant de procéder aux réglages de l'appareil.

Lisez impérativement ces consignes avant de mettre en service votre appareil sans fil :

- Chargez les batteries au moyen du chargeur (batterie et chargeur non inclus). La charge d'une batterie vide dure env. 0,5-1 heure.

5.1 Montage de la boîte de collection de poussière (figure 2/pos. 4)

- Vissez la boîte de collection de poussière (4) sur l'adaptateur d'extraction de poussière (2) par une légère rotation au maximum jusqu'à l'encoche comme illustré sur la figure 2.
- L'aspiration de la poussière s'effectue direc-

tement à travers le disque de ponçage et le plateau de ponçage dans la boîte de collection de poussière.

- Pour retirer la boîte de collection de poussière, procédez dans l'ordre inverse.
- L'appareil peut également être directement raccordé par l'adaptateur d'extraction de poussière (2) sur un aspirateur adapté (figure 3).

Prudence !

L'utilisation de la boîte de collection de poussière ou d'une installation d'aspiration de la poussière est absolument indispensable pour des raisons de santé.

5.2 Vidage de la boîte de collection de poussière (figure 4/pos. 4)

- Pour vider la boîte de collection de poussière (4), dévissez-la comme illustré sur la figure 4 et nettoyez-la méticuleusement.
- Le filtre est maintenu par une fermeture à baïonnette et peut aussi être retiré pour nettoyage et être nettoyé à l'air comprimé le cas échéant.
- Puis remontez le tout dans l'ordre inverse des étapes.
- La boîte de collection de poussière (4) peut à nouveau être enfiché sur l'adaptateur d'extraction de poussière (2).

5.3 Fixation du disque de ponçage au moyen d'auto-agrippage (fig. 5)

- Utilisez exclusivement du disque de ponçage de dimensions correspondantes et avec la perforation adaptée !
- Posez le disque de ponçage sur la plaque oscillante (5), comme montré dans la fig. 5. Veillez à faire correspondre les perforations avec la plaque oscillante.
- Pour enlever le disque de ponçage, il suffit de le retirer.

6. Fonctionnement

6.1 Chargement de la batterie au Lithium-Ion (non inclus)

Vous trouverez les instructions correspondantes dans le mode d'emploi d'origine de votre chargeur.

6.2 Affichage de la capacité de la batterie (fig. 5/Pos. 6)

Appuyez sur l'interrupteur de l'affichage de la capacité de la batterie (7). L'affichage de la capacité de la batterie (6) signale l'état de charge de la batterie au moyen de 3 DEL.

Les 3 DEL s'allument:

La batterie est complètement chargée.

2 ou 1 DEL s'allument:

La batterie a une charge résiduelle suffisante.

1 DEL clignote:

La batterie est déchargée, chargez la batterie.

Tous les voyants clignotent :

La température de la batterie est trop basse. Retirez la batterie de l'appareil, laissez-la à température ambiante pendant une journée. Si le défaut se reproduit, cela signifie que la batterie rechargeable a subi une décharge complète et est défectueuse. Retirez la batterie de l'équipement. N'utilisez ou ne chargez jamais une batterie défectueuse.

6.3 Mise en marche / à l'arrêt (fig. 8 / pos. 1)

- Pour mettre l'appareil en marche, déplacez l'interrupteur marche/arrêt (1) de « 0 » à « I ».
- Pour mettre l'appareil à l'arrêt, mettez l'interrupteur marche/arrêt (1) de « I » à « 0 ».

6.4 Régulateur de vitesse de rotation (fig. 9 / pos. 3)

Vous pouvez présélectionner la vitesse de rotation en tournant le régulateur de vitesse de rotation (3).

Sens positif : vitesse de rotation plus élevée

Sens négatif : vitesse de rotation plus faible

6.5 Travailler avec la ponceuse orbitale :

- Posez la ponceuse orbitale sur toute la surface.
- Mettre l'appareil en marche et effectuer des mouvements giratoires ou des déplacements transversaux et longitudinaux sur la pièce à usiner.
- Pour le ponçage grossier, il est recommandé d'utiliser une granulation grossière, pour le ponçage fin, plutôt une granulation plus fine. Vous pouvez déterminer la granulation appropriée au moyen des essais de ponçage.

Prudence !

Les poussières dégagées lors du travail avec l'outil peuvent être dangereuses pour la santé :

- Portez toujours des lunettes de protection et un masque anti-poussière lors des travaux de ponçage.
- Toutes les personnes utilisant l'appareil ou se trouvant au lieu de travail, doivent porter un masque anti-poussière.
- Il est interdit de manger, de boire et de fumer sur le lieu de travail.
- Ne pas poncer des peintures au plomb !

7. Nettoyage et entretien

Danger !

Avant tout travail de nettoyage, retirez la batterie de l'appareil.

7.1 Nettoyage

- Maintenez les dispositifs de protection, les fentes d'aération et les carters de moteur aussi exempt de poussières et de saletés que possible. Frottez l'appareil avec un linge propre et nettoyez-le à l'air comprimé à basse pression.
- Nous recommandons de nettoyer l'appareil directement après chaque utilisation.
- Nettoyez l'appareil régulièrement avec un linge humide et un peu de savon doux. N'utilisez pas de détergeant ni de solvants ; ils peuvent détériorer les éléments en plastique de l'appareil. Veillez à ce que l'eau ne puisse pas pénétrer à l'intérieur de l'appareil. La pénétration de l'eau dans un appareil électrique augmente le risque d'une électrocution.

7.2 Entretien

L'intérieur de l'appareil ne contient pas de pièces exigeant un entretien.

8. Élimination et recyclage

L'appareil se trouve dans un emballage pour empêcher les dommages dus au transport. Cet emballage constitue une matière première et peut par conséquent est réutilisé ou peut être recyclé. L'appareil et ses accessoires sont fabriqués à partir de différents produits, comme par exemple le métal et les matières plastiques. Ne jetez pas les appareils défectueux dans les déchets ménagers. Pour être éliminé de façon appropriée, l'appareil devrait être déposé à un lieu de collecte approprié. Si vous ne connaissez aucun lieu de collecte, informez-vous auprès de l'administration municipale.

9. Entreposage

Entreposez l'appareil et ses accessoires dans un endroit sombre, sec et exempt de gel ainsi que hors la portée des enfants. La température d'entreposage optimale se situe entre 50 °F et 104 °F (10 °C et 40 °C). Entreposez l'outil électrique dans l'emballage d'origine.

Une réimpression ou toute autre reproduction de la documentation et des documents accompagnant les produits, même par extraits, ne sont autorisées qu'avec accord exprès d'Einhell Germany AG.

Sous réserve des modifications techniques.



Peligro! - Leer el manual de instrucciones para reducir cualquier riesgo de sufrir daños.



Cuidado! Usar protección para los oídos. La exposición al ruido puede ser perjudicial para el oído.



Cuidado! Es preciso ponerse una mascarilla de protección. Puede generarse polvo dañino para la salud cuando se realicen trabajos en madera o en otros materiales. ¡Está prohibido trabajar con material que contenga asbesto!



Cuidado! Llevar gafas de protección. Durante el trabajo, la expulsión de chispas, astillas, virutas y polvo por el aparato pueden provocar pérdida de vista.



Almacenamiento de las baterías sólo en espacios secos con una temperatura ambiente de 50°F to 104°F (+10°C to +40°C). Guardar las baterías únicamente cuando estén cargadas (mín. al 40%).

Peligro!

Al usar aparatos es preciso tener en cuenta una serie de medidas de seguridad para evitar lesiones o daños. Por este motivo, es preciso leer atentamente este manual de instrucciones/advertencias de seguridad. Guardar esta información cuidadosamente para poder consultarla en cualquier momento. En caso de entregar el aparato a terceras personas, será preciso entregarles, asimismo, el manual de instrucciones/advertencias de seguridad. No nos hacemos responsables de accidentes o daños provocados por no tener en cuenta este manual y las instrucciones de seguridad.

1. Instrucciones de seguridad**Peligro!**

Lea todas las instrucciones de seguridad e indicaciones. El incumplimiento de dichas instrucciones e indicaciones puede provocar descargas, incendios y/o daños graves. **Guarde todas las instrucciones de seguridad e indicaciones para posibles consultas posteriores.**

Instrucciones generales de seguridad para herramientas eléctricas

El término de "herramienta eléctrica" que se usa en las instrucciones de seguridad se refiere a las herramientas que funcionan en red (con cable de conexión) y con batería (sin cable de conexión).

1. Seguridad en el lugar de trabajo

- a) **Mantener limpia y bien iluminada la zona de trabajo.** *Las zonas de trabajo desordenadas o sin luz pueden conllevar accidentes.*
- b) **No trabajar con este aparato eléctrico en un entorno explosivo en el que se hallen líquidos, gases o polvos inflamables.** *Las herramientas eléctricas generan chispas que pueden inflamar el polvo o los vapores.*
- c) **Mantener alejados a niños y a otras personas fuera del alcance de la herramienta eléctrica.** *Las distracciones pueden hacer perder el control sobre el aparato.*

2. Seguridad eléctrica

- a) **El enchufe del aparato eléctrico debe ser el adecuado para la toma de corriente. El enchufe no debe ser modificado de ningún modo. No emplear adaptadores de enchufe con aparatos eléctricos puestos a tierra.** *Los enchufes sin modificar y las*

tomas de corriente adecuadas reducen el riesgo de una descarga eléctrica.

- b) **Evitar el contacto corporal con superficies con toma de tierra como tubos, calefacciones, fogones y frigoríficos.** *Existe un gran riesgo de descarga eléctrica si su cuerpo se halla puesto a tierra.*
 - c) **Mantener los aparatos eléctricos alejados de la lluvia o la humedad.** *Si entra agua en el aparato eléctrico existirá mayor riesgo de una descarga eléctrica.*
 - d) **No utilizar el cable de forma inadecuada, no utilizarlo para transportar el aparato, colgarlo o retirarlo de la toma de corriente. Mantener el cable alejado del calor, aceites, cantos afilados o partes del aparato en movimiento.** *Los cables dañados o mal enrollados aumentan el riesgo de descarga eléctrica.*
 - e) **Si se trabaja con una herramienta eléctrica al aire libre, emplear sólo alargaderas que también sean adecuadas para el exterior.** *El empleo de una alargadera apropiada para trabajos en el exterior reduce el riesgo de descarga eléctrica.*
 - f) **Si no se puede evitar tener que utilizar la herramienta eléctrica en un entorno húmedo, utilizar un dispositivo de protección diferencial.** *El uso de un dispositivo de protección diferencial reduce el riesgo de sufrir una descarga eléctrica.*
- 3. Seguridad de personas**
- a) **Prestar atención al trabajo, comprobar lo que se está haciendo y proceder de forma razonable durante el trabajo de una herramienta eléctrica. No emplear la herramienta eléctrica si se está cansado o bajo la influencia de drogas, alcohol o medicamentos.** *Una mínima falta de atención durante el uso de la herramienta eléctrica puede causar lesiones graves.*
 - b) **Llevar equipo de protección personal. Llevar siempre gafas protectoras.** *El equipo de protección (como mascarilla antipolvo, calzado de seguridad antideslizante, casco o protección auditiva) usado en las condiciones adecuadas sirve para reducir las lesiones personales.*
 - c) **Prevenir un arranque no intencionado. Asegurarse de que el interruptor se encuentre en la posición OFF antes de conectar la herramienta a la fuente eléctrica y/o BATERÍA, alzarla o transportarla.** *El transporte de herramientas eléctricas con el*

dedo en el interruptor o la activación de herramientas eléctricas con el interruptor en ON puede provocar accidentes.

- d) **Retirar las herramientas de ajuste o la llave antes de conectar la herramienta eléctrica.** *Una herramienta o llave que se haya olvidado en partes giratorias del aparato puede producir lesiones.*
 - e) **Evitar trabajar en una posición corporal inadecuada. Adoptar una posición segura y mantener en todo momento el equilibrio.** *Ello permite controlar mejor la herramienta eléctrica en situaciones inesperadas.*
 - f) **Llevar ropa de trabajo adecuada. No llevar ropa holgada ni joyas durante el trabajo. Mantener el cabello, la ropa y los guantes alejados de las piezas en movimiento.** *La ropa holgada, las joyas o los cabellos largos pueden ser atrapados por las piezas en movimiento.*
 - g) **Si el aparato permite instalar dispositivos de aspiración y recogida del polvo, es preciso asegurarse de que estén conectados y se empleen de forma correcta.** *La utilización de un aspirador de polvo puede reducir los peligros provocados por el mismo.*
 - h) **A pesar de estar muy familiarizado con el uso de las herramientas, no confiarse en exceso ni ignorar las normas de seguridad de la herramienta.** *Un descuido puede conllevar una lesión grave en milésimas de segundo.*
- 4. Empleo y tratamiento de la herramienta eléctrica**
- a) **No sobrecargar el aparato. Usar la herramienta eléctrica específica para cada trabajo.** *Con la herramienta eléctrica adecuada se trabaja mejor y con más seguridad permaneciendo dentro de la potencia indicada.*
 - b) **No usar ninguna herramienta eléctrica cuyo interruptor esté defectuoso.** *Una herramienta eléctrica que ya no pueda conectarse o desconectarse conlleva peligros y debe repararse.*
 - c) **Desconectar el enchufe de la toma de corriente y/o retirar la batería, si es desmontable, de la herramienta eléctrica antes de realizar cualquier ajuste, cambiar accesorios o almacenarla.** *Este tipo de medidas de seguridad preventivas sirve para reducir el riesgo de poner en marcha la herramienta eléctrica de manera involuntaria.*
 - d) **Guardar las herramientas eléctricas que no se usen fuera del alcance de los niños.**

No permitir el uso del aparato a personas que no estén familiarizadas con él o no hayan leído estas instrucciones. *Las herramientas eléctricas son peligrosas si las usan personas sin experiencia.*

- e) **Realizar el mantenimiento de las herramientas eléctricas y los accesorios. Comprobar que las piezas móviles no estén desajustadas ni atascadas, que las piezas no presenten rotura ni otras condiciones que puedan afectar al funcionamiento de la herramienta eléctrica.** *En caso de que la herramienta eléctrica esté dañada, es preciso que sea reparada antes de utilizarla de nuevo.* *Muchos accidentes se provocan a causa de un mantenimiento deficiente de la herramienta eléctrica.*
 - f) **Mantener limpias y afiladas las herramientas de corte.** *Las herramientas de corte bien cuidadas con cantos afilados se bloquean con menor frecuencia y pueden manejarse de forma más sencilla.*
 - g) **Respetar estas instrucciones cuando se desee utilizar la herramienta eléctrica, los accesorios, piezas de recambio, etc. Para ello, tener en cuenta las condiciones de trabajo y la tarea a ejecutar.** *El uso de herramientas eléctricas para otros fines diferentes a los previstos puede originar situaciones peligrosas.*
 - h) **Mantener asas y empuñaduras secas, limpias y libres de aceite y grasa.** *Las asas y empuñaduras resbaladizas impiden manejar con seguridad y controlar la herramienta en situaciones inesperadas.*
- 5. Empleo y tratamiento de la herramienta eléctrica**
- a) **Cargar la batería sólo en cargadores recomendados por el fabricante.** *Existe el peligro de incendio si se utiliza un cargador, indicado sólo para un tipo concreto de baterías, para otro tipo de baterías.*
 - b) **Utilizar sólo las baterías indicadas para la herramienta eléctrica en cuestión.** *El uso de otras baterías puede provocar daños y conllevar peligro de incendio.*
 - c) **Mantener cualquier batería que no se esté utilizando alejada de grapas, monedas, llaves, clavos, tornillos u otros objetos metálicos pequeños que podrían provocar un puenteo de los contactos.** *Un cortocircuito entre los contactos de la batería puede tener como consecuencia quemaduras o provocar fuego.*

- d) **Si se utiliza incorrectamente podría salir líquido de la batería. Evitar el contacto con el líquido. En caso de tocar accidentalmente el líquido, lavar la zona afectada con agua. Si el líquido penetra en los ojos, acudir a un médico. El líquido de la batería puede provocar irritaciones en la piel o quemaduras.**
- e) **No utilizar BATERÍAS ni herramientas que estén dañadas o modificadas. Las baterías dañadas o modificadas pueden manifestar comportamientos impredecibles que pueden dar lugar a incendio, EXPLOSIÓN o riesgo de lesión.**
- f) **No exponer una BATERÍA ni herramienta al fuego o a una temperatura excesiva. La exposición al fuego o a una temperatura superior a los 266°F (130°C) puede provocar una explosión.**
- g) **Seguir todas las instrucciones de carga y no cargar la BATERÍA ni herramienta fuera del margen de temperatura especificado en las instrucciones. Una carga inadecuada o a temperaturas fuera del margen especificado puede dañar la batería e incrementar el riesgo de incendio.**
- 6. Servicio**
- a) **Sólo especialistas cualificados deben reparar la herramienta eléctrica, empleando para ello únicamente piezas de repuesto originales. Esta forma de proceder garantiza la seguridad de la herramienta eléctrica.**
- b) **No reparar nunca BATERÍAS dañadas. La reparación de las BATERÍAS dañadas solo la puede llevar a cabo el fabricante o un distribuidor autorizado.**

Instrucciones de seguridad especiales

Con el fin de ofrecerte baterías con la máxima densidad de energía, larga duración y seguridad, prestamos el mayor cuidado en su montaje. Las celdas de la batería disponen de dispositivos de seguridad de varios niveles. En primer lugar se asigna el formato a cada celda y se registran sus características eléctricas. A continuación, estos datos se utilizan para agrupar las celdas y crear la mejores baterías. **A pesar de todas las medidas de seguridad, siempre es necesario tener precaución al utilizar baterías. Para un funcionamiento seguro es obligatorio tener en cuenta los siguientes puntos.**
¡El funcionamiento seguro sólo está garantizado si las celdas no están dañadas! Un manejo inadecuado puede dañar las celdas.

¡Atención! Los análisis confirman que un uso y un cuidado inadecuados son la principal causa de los daños provocados por baterías de alta potencia.

Advertencias sobre la batería

1. La batería del aparato no se suministra cargada. Antes de la primera puesta en marcha, es preciso recargarla por completo.
2. ¡Para que la batería trabaje de forma óptima evitar ciclos de descarga prolongados! Recargar la batería con frecuencia.
3. Guardar la batería en un lugar fresco, lo ideal son 59°F (15°C), y como mínimo cargada al 40%.
4. Las baterías de iones de litio están sujetas a un desgaste natural. ¡La batería debe ser sustituida como muy tarde cuando su rendimiento sea menor al 80% respecto a su estado cuando era nueva! Las celdas deterioradas de un conjunto de baterías envejecido no cumplen con los altos requisitos de rendimiento, representando un riesgo para la seguridad.
5. No tirar las baterías usadas al fuego. ¡Peligro de explosión!
6. No prender la batería ni exponerla al fuego.
7. **¡Evitar una descarga total de las baterías!** Este tipo de descarga daña las celdas de la batería. La causa más frecuente de la descarga total de la batería es el largo almacenamiento o la no utilización de baterías parcialmente descargadas. Terminar el trabajo en cuanto se aprecie que la potencia disminuye o se activa el sistema electrónico de protección. Almacenar la batería sólo tras haberla cargado completamente.
8. **¡Proteger las baterías y el aparato contra sobrecarga!** La sobrecarga conduce rápidamente a un sobrecalentamiento y daño de las celdas del interior de la carcasa de batería, sin que el sobrecalentamiento se perciba externamente.
9. **¡Evitar daños y golpes!** Sustituir inmediatamente las baterías que hayan caído desde una altura superior a un metro o que hayan sufrido golpes fuertes, incluso aunque la carcasa de la batería no parezca dañada. Las celdas que se encuentren en su interior podrían estar gravemente dañadas. Tener en cuenta también las indicaciones de eliminación.
10. En caso de sobrecarga y sobrecalentamiento, el circuito de protección integrado desconecta el aparato por motivos de seguridad.

¡Atención! Dejar de pulsar el interruptor On/Off cuando el circuito de protección haya desconectado el aparato. Podría dañar la batería.

11. Utilizar exclusivamente baterías originales. El uso de otras baterías puede provocar daños, así como explosión y peligro de incendio.
12. **Proteger la batería de la humedad, la lluvia y la humedad ambiental elevada.** La humedad, la lluvia y la humedad ambiental elevada pueden provocar daños peligrosos en las celdas. No cargar ni trabajar nunca con baterías que hayan estado expuestas a la humedad, la lluvia o humedad ambiental elevada, ¡reemplazarlas de inmediato!
13. Si el aparato está dotado de una batería extraíble, por motivos de seguridad será preciso extraerla una vez finalizado el trabajo.

Advertencias sobre el cargador y el proceso de carga

1. Observar los datos indicados en la placa de identificación del cargador. Conectar el cargador sólo a la tensión nominal indicada en la placa de características.
2. Proteger el cargador y el cable de daños y cantos afilados. Los cables dañados deben ser cambiados exclusivamente por un electricista profesional.
3. Mantener el cargador, las baterías y el aparato fuera del alcance de niños.
4. No emplear cargadores dañados.
5. No emplear el cargador suministrado para cargar otros aparatos a batería.
6. La batería se calienta bajo condiciones extremas de aplicación. Dejar que la batería se enfríe hasta alcanzar la temperatura ambiental antes de empezar a cargar.
7. **¡No cargar demasiado las baterías!** Respetar los tiempos de carga máximos. Estos tiempos de carga se aplican únicamente a baterías descargadas. Si una batería cargada o parcialmente cargada se conecta varias veces al cargador se produce una sobrecarga y un daño de las celdas. No deje las baterías en el cargador por más de 48 horas.
8. **No utilizar ni cargar nunca baterías si se tiene la sospecha de que la última carga de la batería puede haberse realizado hace más de 12 meses.** Existe una alta probabilidad de que la batería ya esté gravemente dañada (descarga total).
9. Cargar la batería a una temperatura de menos de 50°F (10°C) provoca daños químicos en las celdas y puede conllevar peligro de

incendio.

10. No utilizar baterías que se hayan calentado durante la carga, ya que sus celdas podrían dañarse peligrosamente.
11. Dejar de usar baterías que se hayan deformado o abombado durante la carga, o aquellas que presenten síntomas inusuales (desprendimiento de gases, zumbidos, chasquidos,...)
12. No descargar la batería por completo (nivel de descarga recomendado: máx. 80%). La descarga total provoca un envejecimiento prematuro de las celdas de la batería.
13. ¡No cargar nunca las baterías sin supervisión!

Protección contra influencias ambientales

1. Ponerse ropa de trabajo adecuada. Ponerse gafas de protección.
2. **Proteger el aparato y el cargador de la humedad y la lluvia.** Éstas podrían provocar daños peligrosos en las celdas.
3. No utilizar el aparato y el cargador cerca de vapores y líquidos inflamables.
4. Utilizar el cargador y el aparato a batería sólo si están secos y a una temperatura ambiente de 50°F-104°F (10-40 °C).
5. No guardar la batería en lugares que puedan alcanzar una temperatura superior a 104°F (40 °C), especialmente no en un vehículo aparcado al sol.
6. **¡Proteger las baterías contra un sobrecalentamiento!** La sobrecarga, carga excesiva o la radiación solar conducen a un sobrecalentamiento y al daño de las celdas. No cargar ni trabajar en ningún caso con baterías que se hayan sobrecalentado. Sustituirlas inmediatamente.
7. **Almacenamiento de baterías, cargadores y del aparato.** Guardar siempre el cargador y el aparato en habitaciones secas con una temperatura ambiente de 50°F-104°F (10-40°C). Guardar la batería de iones de litio en un lugar fresco y seco a 50°F-68°F (10-20°C). ¡Proteger de la humedad ambiental y de la radiación solar! Guardar las baterías únicamente cuando estén cargadas (mín. al 40%).
8. Evitar que la batería de iones de litio se hielan. Deshacerse de las baterías que hayan estado guardadas a 32°F (0°C) durante más de 60 minutos.
9. Llevar cuidado con la carga electrostática al manipular baterías: las descargas electrostáticas provocan daños en el sistema electrónico de protección y las celdas de la batería. ¡Evitar por ello la carga electrostática y no tocar nunca los polos de la batería!

Precaución y eliminación de la batería

Eliminación

Si su artefacto necesita ser reemplazado luego de un uso prolongado, no lo arroje a la basura doméstica. Hágalo de una forma ecológica y segura.



Los desechos producidos por máquinas eléctricas no deben ser manipulados como basura doméstica común. Recíclelos donde hayan emplazamientos de reciclaje.

Consulte con las autoridades o tienda minorista de su localidad para obtener información sobre reciclaje.

Deshágase de su batería de acuerdo con los reglamentos federales, estatales y locales. Para encontrar lugares de reciclaje, comuníquese con un servicio de reciclaje en su localidad.

⚠ ¡PRECAUCIÓN! Incluso las baterías descargadas contienen algo de energía. Antes de deshacerse de éstas, use cinta aislante para cubrir los terminales y evitar que la batería haga cortocircuito, lo cual puede causar una explosión o incendio.

⚠ ¡ADVERTENCIA! Para reducir el riesgo de lesiones personales o explosión, nunca queme o incinere una batería incluso si está dañada, inservible o completamente descargada. Al ser quemada, los humos y materiales tóxicos son emitidos a la atmósfera circundante.

1. Las baterías varían de acuerdo al dispositivo. Consulte su manual para obtener la información específica.
2. Instale solo nuevas baterías del mismo tipo en su producto (donde corresponda).
3. No insertar las baterías con la polaridad correcta, tal como se indica en el compartimiento de la batería o en el manual, puede reducir el ciclo de vida útil de las baterías o causar fugas en las baterías.
4. No combine baterías nuevas con antiguas.
5. No combine baterías alcalinas, estándar (de zinc-carbono) o recargables (de níquel-cadmio, de níquel-hidruro metálico o de iones de litio).
6. No arroje las baterías al fuego. Pueden llegar a explotar.
7. Las baterías deben ser recicladas o desechadas según los reglamentos locales y estatales.

Para el envío o la eliminación de baterías o del aparato, estos deben embalarse por separado en bolsas de plástico para evitar cortocircuitos o incendios.

Instrucciones de seguridad especial

- Use el aparato sólo para lijar en seco.
- No se deben trabajar materiales que contengan asbesto.
- El puesto de trabajo debe ser limpio y bien iluminado.
- Cuido de que la pieza a trabajar esté bien fija.
- Mantenga alejados los niños del lugar de trabajo.
- En interés propio, mantenga siempre la máquina limpia y después de los trabajos efectúe un control respecto a posibles deterioros.
- Asegurese que al conectar la máquina a la red el interruptor esté desconectado.
- Cuide de un apoyo firme, ante todo en escaleras y andamios.
- Al trabajar madera o metal previamente tratados pueden generarse polvos tóxicos o nocivos.
El contacto o aspiración de estos polvos puede representar un peligro para el operario o las personas que se encuentren en las inmediaciones.
- Sujetar el aparato por las empuñaduras aisladas puesto que la cinta abrasiva puede toparse con el propio cable de conexión. Si se daña un cable de corriente se pueden electrificar las piezas metálicas del aparato o provocar una descarga eléctrica.
- **¡Atención! ¡Utilice gafas de protección y máscara contra el polvo!**

Vigilar a los niños para asegurarse de que no jueguen con el aparato.

GUARDE ESTAS INSTRUCCIONES

2. Descripción del aparato y volumen de entrega

2.1 Descripción del aparato

1. Interruptor ON/OFF
2. Adaptador de aspiración
3. Regulador de velocidad
4. Recipiente colector de polvo
5. Placa móvil
6. Indicador de capacidad de batería
7. Pulsador para indicar la capacidad de batería

8. Empuñadura
9. Empuñadura adicional
10. Batería (no se suministra)
11. Dispositivo de retención

2.2 Volumen de entrega

Sirviéndose de la descripción del volumen de entrega, comprobar que el artículo esté completo. Si faltase alguna pieza, dirigirse a nuestro Service Center o a la tienda especializada más cercana en un plazo máximo de 5 días laborales tras la compra del artículo presentando un recibo de compra válido.

- Abrir el embalaje y extraer cuidadosamente el aparato.
- Retirar el material de embalaje, así como los dispositivos de seguridad del embalaje y para el transporte (si existen).
- Comprobar que el volumen de entrega esté completo.
- Comprobar que el aparato y los accesorios no presenten daños ocasionados durante el transporte.
- Si es posible, almacenar el embalaje hasta que transcurra el periodo de garantía.

Peligro!

¡El aparato y el material de embalaje no son un juguete! ¡No permitir que los niños jueguen con bolsas de plástico, láminas y piezas pequeñas! ¡Riesgo de ingestión y asfixia!

- Lijadora excéntrica
- Recipiente colector de polvo
- 3x Papel abrasivo
- Manual de instrucción original con instrucción de seguridad

Accesorios disponibles por separado

18V 1.5Ah PXC batería Li-Ion
 18V 2.0Ah PXC batería Li-Ion
 18V 2.5Ah PXC batería Li-Ion
 18V 3.0Ah PXC batería Li-Ion
 18V 4.0Ah PXC batería Li-Ion
 18V 3.0Ah PXC Plus batería Li-Ion
 18V 4.0Ah PXC Plus batería Li-Ion
 18V 5.2Ah PXC Plus batería Li-Ion
 18V 4.0Ah/6.0Ah PXC Plus batería Li-Ion
 18V 5.0Ah/8.0Ah PXC Plus batería Li-Ion
 18V PXC cargador rápido de doble Puerto
 18V PXC cargador rápido


Comuníquese con su distribuidor local para obtener modelos más específicos de baterías y cargadores disponibles en su área. Explorar las opciones de batería y cargador en einhell.com

3. Uso adecuado

La máquina ha sido concebida para lijar madera, metal, plástico y materiales similares utilizando el papel abrasivo correspondiente. La máquina no está indicada para lijar en húmedo.

Utilizar la máquina sólo en los casos que se indican explícitamente como de uso adecuado. Cualquier otro uso no será adecuado. En caso de uso inadecuado, el fabricante no se hace responsable de daños o lesiones de cualquier tipo; el responsable es el usuario u operario de la máquina.

4. Características técnicas

Alimentación de tensión de motor: 18V 
 Velocidad marcha en vacío:
 3000-12000 RPM (min⁻¹)
 Velocidad de oscilación: 6000-24000 RPM (min⁻¹)
 Superficie abrasiva: Ø 5" (127 mm)
 Tamaño del papel abrasivo (cierre adherente): ...
 Ø 5" (127 mm)
 Diámetro de la órbita: 1/8" (3.2 mm)
 Peso (Solo herramienta): 2.4 lb (1.1 kg)

Usar protección para los oídos.

La exposición al ruido puede ser perjudicial para el oído.

¡Reducir la emisión de ruido y las vibraciones al mínimo!

- Emplear sólo aparatos en perfecto estado.
- Realizar el mantenimiento del aparato y limpiarlo con regularidad.
- Adaptar el modo de trabajo al aparato.
- No sobrecargar el aparato.
- En caso necesario dejar que se compruebe el aparato.
- Apagar el aparato cuando no se esté utilizando.

Cuidado!**Riesgos residuales**

Incluso si esta herramienta se utiliza adecuadamente, siempre existen riesgos residuales. En función de la estructura y del diseño de esta herramienta eléctrica pueden producirse los siguientes riesgos:

1. Lesiones pulmonares en caso de que no se utilice una mascarilla de protección antipolvo.
2. Lesiones auditivas en caso de que no se utilice una protección para los oídos adecuada.
3. Daños a la salud derivados de las vibraciones de las manos y los brazos si el aparato se utiliza durante un largo periodo tiempo, no se sujeta del modo correcto o si no se realiza un mantenimiento adecuado.

Limitar el tiempo de trabajo.

Al hacerlo deben tenerse en cuenta todas las partes del ciclo de servicio (por ejemplo los tiempos en los que la herramienta eléctrica está desconectada y los tiempos en los que está conectada pero funciona sin carga).

5. Antes de la puesta en marcha**¡Advertencia!**

Quitar siempre la batería antes de realizar ajustes en el aparato.

Antes de la puesta en marcha del aparato de batería, es preciso leer las siguientes advertencias:

- Cargar la batería con el cargador (batería y cargador no incluidos). Una batería vacía se carga en aprox. 0,5-1 hora.

5.1 Montaje del recipiente colector de polvo (fig. 2/pos. 4)

- Introducir el recipiente colector de polvo (4) girando ligeramente el adaptador para aspirador (2) hasta como máximo la ranura según se muestra en la figura 2.
- La aspiración de polvo tiene lugar directamente a través del papel abrasivo y del disco abrasivo en el recipiente colector de polvo.
- El recipiente colector de polvo se extrae siguiendo el mismo proceso pero en orden contrario.
- El aparato se puede conectar directamente, mediante la conexión de aspiración de polvo (2), a un aspirador adecuado (fig. 3).

¡Cuidado!

Por motivos de seguridad es preciso utilizar el recipiente para la recogida de polvo o un aspirador.

5.2 Vaciar el recipiente colector de polvo (fig. 4/pos. 4)

- Para vaciar el recipiente colector de polvo (4), abrirlo desenroscando según se muestra en la fig. 4 y limpiarlo a fondo.
- El filtro queda sujeto mediante un cierre de bayoneta y también se puede retirar para su limpieza, asimismo se puede limpiar, dado el caso, con aire comprimido.
- A continuación, todo se vuelve a montar siguiendo los mismos pasos pero en orden inverso.
- Ahora se puede volver a colocar el recipiente colector de polvo (4) en el adaptador para aspirador (2).

5.3 Fijación del papel abrasivo mediante cierre adherente (fig. 5)

- Utilizar exclusivamente papel abrasivo que disponga de las dimensiones correspondientes y la perforación adecuada!
- Colocar el papel abrasivo en la placa móvil (5) según se muestra en la fig. 5. Asegurarse de que las perforaciones coincidan con la placa móvil.
- Para quitar el papel abrasivo simplemente tirar de él.

6. Manejo**6.1 Cómo cargar la batería de litio (no incluido en el volumen de entrega)**

Las instrucciones correspondientes se encuentran en el manual de instrucciones original del cargador.

6.2 Indicador de capacidad de batería (fig. 7/pos. 6)

Pulsar el interruptor para acceder al indicador de capacidad de la batería (7). El indicador de capacidad de batería (6) le indica el estado de carga de la batería sirviéndose de 3 LEDs.

Los 3 LED están iluminados:

La batería está completamente cargada.

2 o 1 LED están iluminados

La batería dispone de suficiente carga residual.

1 LED parpadea:

La batería está vacía, es preciso cargarla.

Si todos los LED parpadean:

La temperatura de la batería es demasiado baja. Quitar la batería del aparato y dejarla durante un día a temperatura ambiente. Si vuelve a aparecer el fallo, la batería se ha descargado completamente y está defectuosa. Quitar la batería del aparato. Está prohibido emplear o cargar una batería defectuosa.

6.3 Conectar/desconectar (fig. 8/pos. 1)

- Para conectar el aparato, llevar el interruptor de servicio (1) de 0 a I.
- Para desconectar el aparato, llevar el interruptor de servicio (1) de „I“ a „0“.

6.4 Regulador de velocidad (fig. 9/pos. 3)

La velocidad se selecciona girando el regulador de velocidad (3).

Sentido MÁS: mayor velocidad
Sentido MENOS: menor velocidad

6.5 Trabajar con la lijadora excéntrica:

- Apoyar toda la superficie del disco abrasivo.
- Conectar la máquina y aplicar una presión moderada sobre la pieza, realizando movimientos longitudinales y transversales o circulares.
- Se recomienda usar un granulado de mayor tamaño para el lijado en grueso y un granulado más fino para el lijado de precisión. Se puede determinar el granulado más apropiado realizando pruebas de lijado.

7. Mantenimiento y limpieza**Peligro!**

Desenchufar la batería antes de realizar trabajos de limpieza.

7.1 Limpieza

- Reducir al máximo posible la suciedad y el polvo en los dispositivos de seguridad, las rendijas de ventilación y la carcasa del motor. Frotar el aparato con un paño limpio o soplarlo con aire comprimido manteniendo la presión baja.
- Se recomienda limpiar el aparato tras cada uso.
- Limpiar el aparato con regularidad con un

pañó húmedo y un poco de jabón blando. No utilizar productos de limpieza o disolventes ya que se podrían deteriorar las piezas de plástico del aparato. Es preciso tener en cuenta que no entre agua en el interior del aparato. Si entra agua en el aparato eléctrico existirá mayor riesgo de una descarga eléctrica.

7.2 Mantenimiento

No hay que realizar el mantenimiento a más piezas en el interior del aparato.

8. Eliminación y reciclaje

El aparato está protegido por un embalaje para evitar daños producidos por el transporte. Este embalaje es materia prima y, por eso, se puede volver a utilizar o llevar a un punto de reciclaje. El aparato y sus accesorios están compuestos de diversos materiales, como, p. ej., metal y plástico. Los aparatos defectuosos no deben tirarse a la basura doméstica. Para su eliminación adecuada, el aparato debe entregarse a una entidad recolectora prevista para ello. En caso de no conocer ninguna, será preciso informarse en el organismo responsable del municipio.

9. Almacenamiento

Guardar el aparato y sus accesorios en un lugar oscuro, seco, protegido de las heladas e inaccesible para los niños. La temperatura de almacenamiento óptima se encuentra entre los 50°F y 104°F (10 y 40 °C). Guardar la herramienta eléctrica en su embalaje original.

Sólo está permitido copiar la documentación y documentos anexos del producto, o extractos de los mismos, con autorización expresa de Einhell Germany AG.

Nos reservamos el derecho a realizar modificaciones técnicas.



Two horizontal lines are positioned to the right of the pencil's tip, serving as a guide for the first two lines of writing. Below these, there are 26 additional horizontal lines, evenly spaced, providing a template for a page of handwriting practice.



www.Einhell.com

EH 11/2023 (01)