

Einhell®

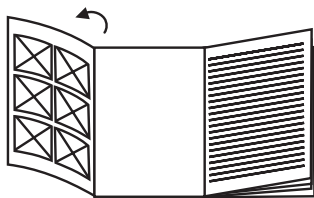
Original operating instructions
Cordless Lawn Mower

CE **7**

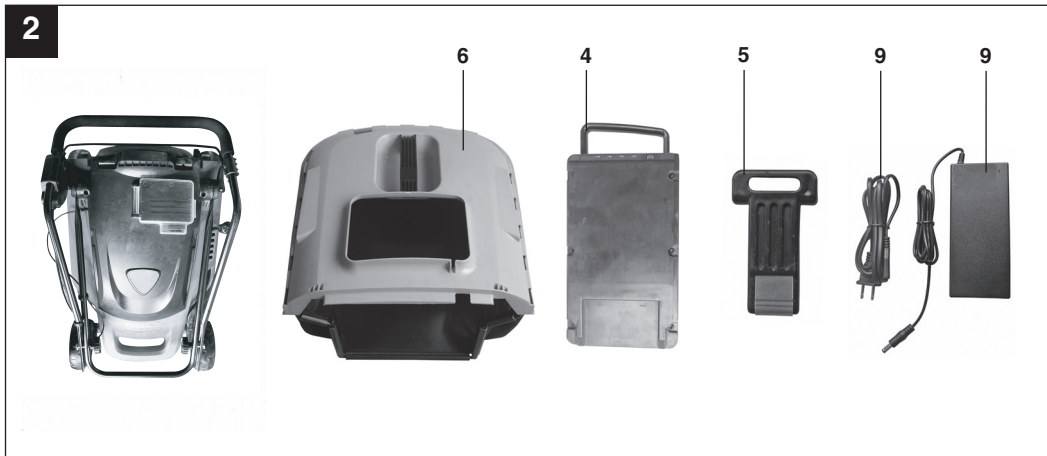
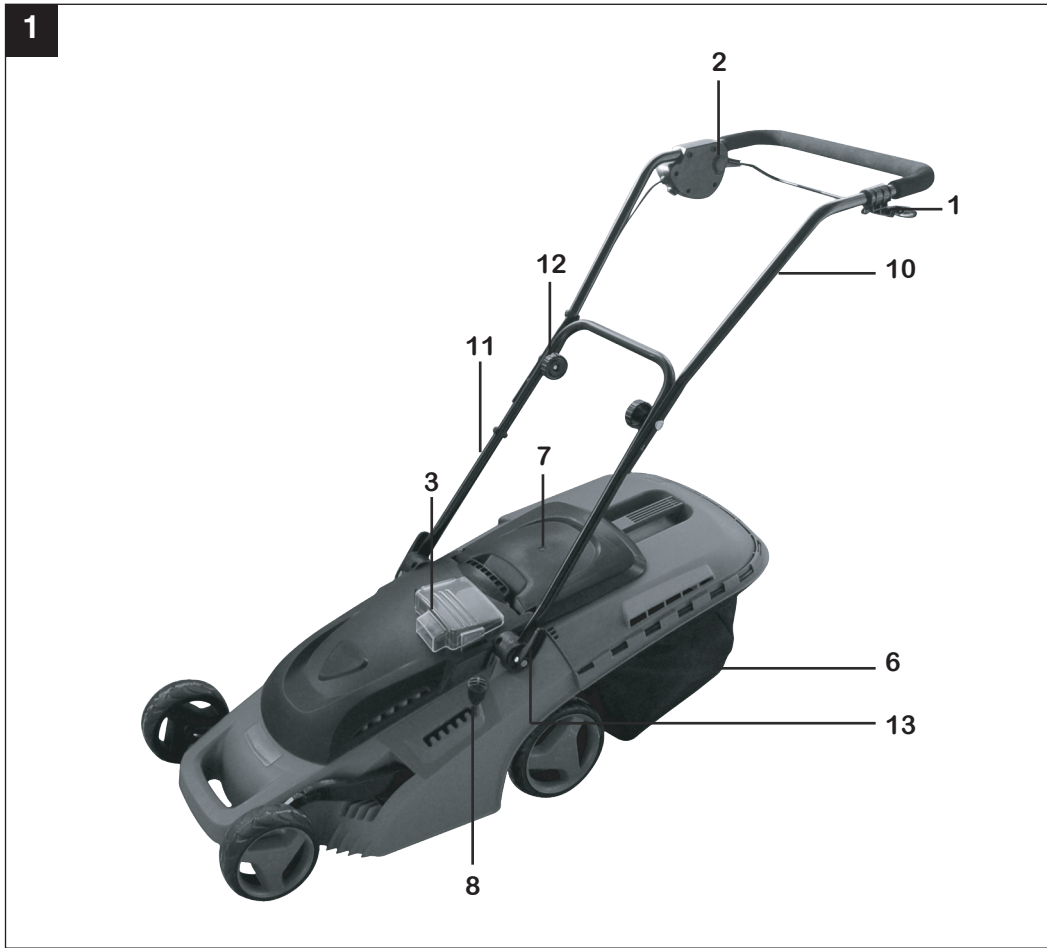
Art.-Nr.: 34.130.43

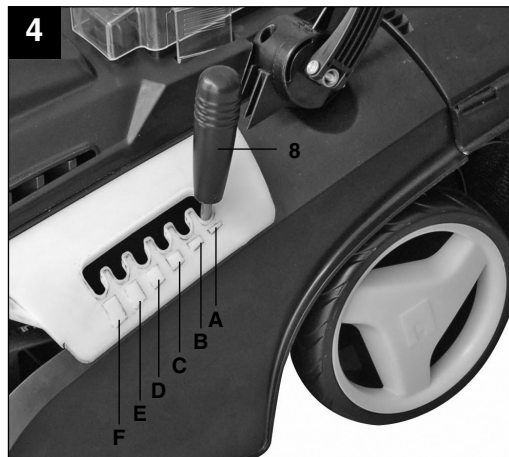
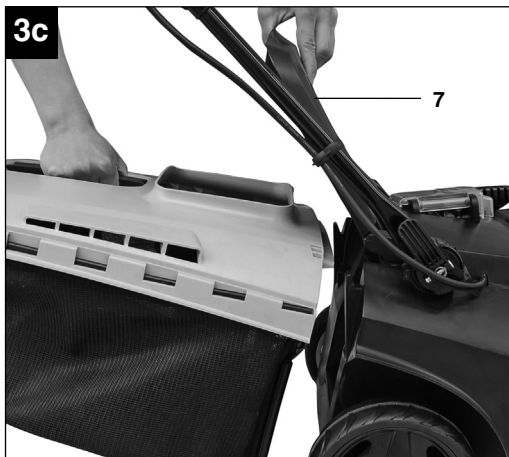
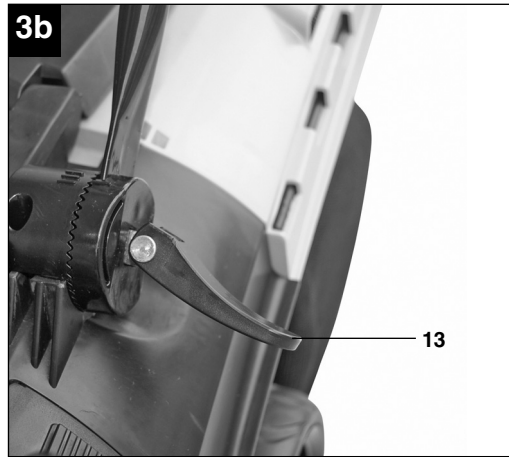
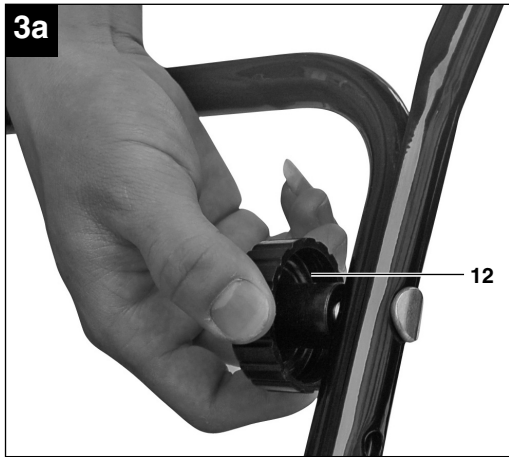
I.-Nr.: 11011

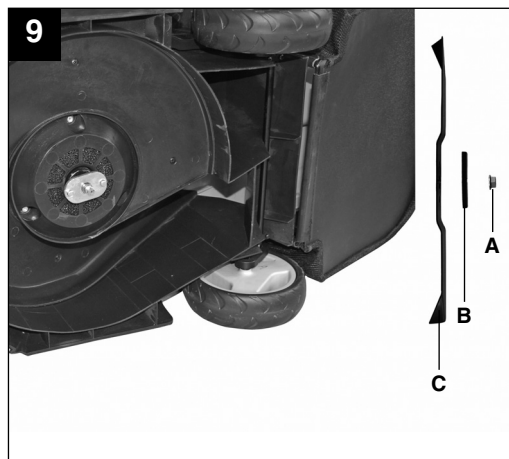
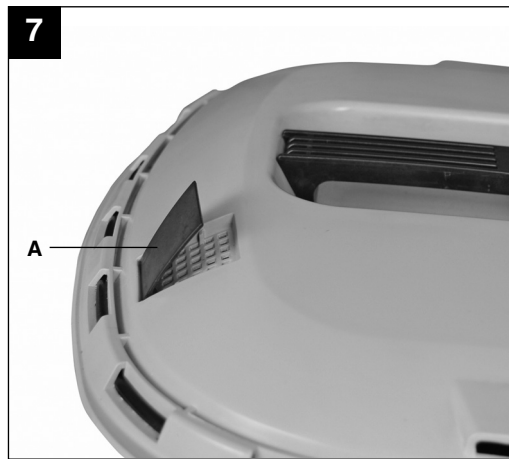
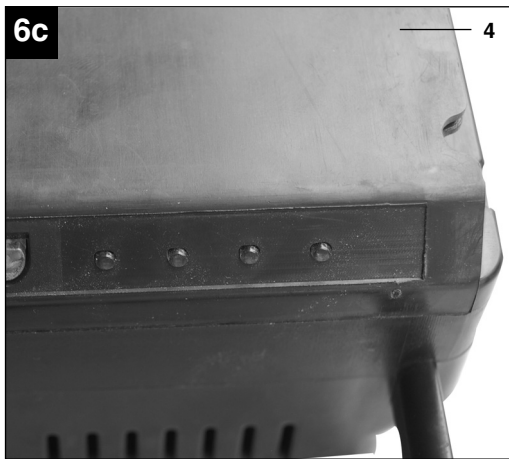
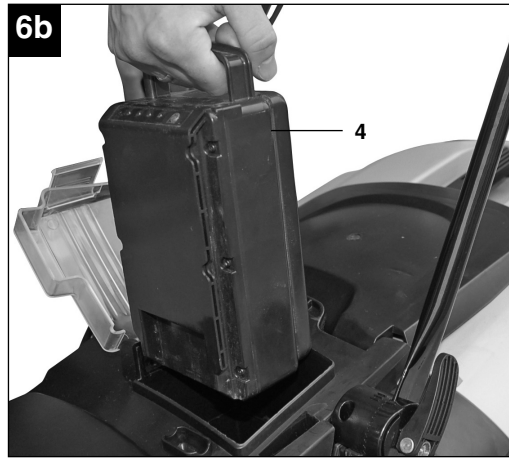
RG-CM **36 Li**



Ⓢ Please fold out page 2-5







10



Table of contents

1. Safety information
2. Layout
3. Items supplied
4. Intended use
5. Technical data
6. Before starting the equipment
7. Using the equipment
8. Cleaning, maintenance and ordering of spare parts
9. Storage
10. Disposal and recycling
11. Troubleshooting guide

GB**⚠ Important.**

When using the equipment, a few safety precautions must be observed to avoid injuries and damage. Please read the complete operating instructions and safety information with due care. Keep these operating instructions in a safe place so that the information is available at all times. If you give the equipment to any other person, hand over these operating instructions and the safety information as well. We cannot accept any liability for damage or accidents which arise due to a failure to follow these instructions and the safety information.

1. Safety information

Please refer to the booklet included in delivery for the safety information.

⚠ CAUTION

Read all the safety regulations and instructions. Any errors made in following the safety information and instructions set out below may result in an electric shock, fire and/or serious injury.
Keep all safety information and instructions in a safe place for future use.

This equipment is not designed to be used by people (including children) with limited physical, sensory or mental capacities or those with no experience and/or knowledge unless they are supervised by a person who is responsible for their safety or they have received instructions from such a person in how to use the equipment safely. Children must always be supervised in order to ensure that they do not play with the equipment.

Explanation of the warning signs on the equipment (see Fig. 10)

1. Read the operating instructions before operating the equipment.
2. Keep other people out of the danger area!
3. Caution: Sharp blades! Pull out the safety plug before carrying out any repair work or if the power cable is damaged. The blades will continue to rotate after the motor is switched off.
4. Caution: Keep the power cable away from the cutters!

2. Layout (Fig. 1 / 2)

1. ON/OFF switch
2. Safety lock-off
3. Battery cover
4. Battery
5. Safety plug
6. Grass bag
7. Ejector flap
8. Lever for height adjustment
9. Battery charger with power cable
10. Top push bar
11. Bottom push bar
12. Star nuts for top push bar
13. Quick-lock lever for bottom push bar

3. Items supplied (Fig. 2)

- Open the packaging and take out the equipment with care.
- Remove the packaging material and any packaging and/or transportation braces (if available).
- Check to see if all items are supplied.
- Inspect the equipment and accessories for transport damage.
- If possible, please keep the packaging until the end of the guarantee period.

IMPORTANT

The equipment and packaging material are not toys. Do not let children play with plastic bags, foils or small parts.

There is a danger of swallowing or suffocating!

- Lawn mower
- Debris bag
- Battery
- Safety plug
- Battery charger with power cable
- Original operating instructions
- Safety information

4. Intended use

The lawn mower is intended for private use i.e. for use in home and gardening environments.

Private use of the lawn mower refers an annual operating time generally not exceeding that of 50 hours, during which time the equipment is primarily used to maintain small-scale, residential lawns and home/hobby gardens. Public facilities, sporting halls, and agricultural/forestry applications are excluded.

Important. Due to the high risk of bodily injury to the user, the lawn mower may not be used to trim bushes, hedges or shrubs, to cut scaling vegetation, planted roofs, or balcony-grown grass, to clean (suck up) dirt and debris off walkways, or to chop up tree or hedge clippings. Moreover, the lawn mower may not be used as a power cultivator to level out high areas such as molehills.

For safety reasons, the lawn mower may not be used as a drive unit for other work tools or toolkits of any kind, unless they have been expressly permitted by the manufacturer.

The equipment may only be used for the tasks it is designed to handle. Any other use is deemed to be a case of misuse. The user/operator and not the manufacturer will be liable for any damage or injuries of any kind caused as a result of this.

Please note that our equipment has not been designed for use in commercial, trade or industrial applications. Our warranty will be voided if the equipment is used in commercial, trade or industrial businesses or for equivalent purposes.

5. Technical data

Idling speed:	3,000 min ⁻¹
Protection class:	III
Weight:	17.3 kg
Cutting width:	370 mm
Volume of catch bag:	40 liters
Cutting height adjustment:	25-75 mm; 6 levels
Protection type:	IPX1
Max. battery operating time:	35 min
Charging time:	2.5-4 h

Lithium-ion battery

Voltage:	36 V DC
Capacity:	2.6 Ah

Battery charger

Output voltage:	42 V DC
Output current:	1.0 A

Sound and vibration

Sound and vibration values were measured in accordance with EN 60335.

L _{pA} sound pressure level	67.2 dB(A)
K _{pA} uncertainty	2.5 dB(A)
L _{WA} sound power level	90.6 dB(A)
K _{WA} uncertainty	2.5 dB(A)

Wear ear-muffs.

The impact of noise can cause damage to hearing.

Total vibration values (vector sum of three directions) determined in accordance with EN 60335.

Vibration emission value $a_h \leq 2.5 \text{ m/s}^2$
K uncertainty = 1.5 m/s²

Warning!

The specified vibration value was established in accordance with a standardized testing method. It may change according to how the electric equipment is used and may exceed the specified value in exceptional circumstances.

GB

The specified vibration value can be used to compare the equipment with another electric power tools.

The specified vibration value can be used for initial assessment of a harmful effect.

Reduce noise generation and vibration to a minimum!

- Use only equipment that is in perfect condition.
- Maintain and clean the equipment regularly.
- Adopt your way of working to the equipment.
- Do not overload the equipment.
- Have the equipment checked if necessary.
- Switch off the equipment when not in use.
- Wear gloves.

Residual risks

Even if you use this electric power tool in accordance to instructions, certain residual risks cannot be eliminated. The following hazards may arise in connection with the equipment's construction and layout:

1. Lung damage if no suitable protective dust mask is applied.
2. Damage to hearing if no suitable ear protection is applied.
3. Health damage caused by hand-arm vibrations if the equipment is used over a longer period or is not properly guided and maintained.

6. Before starting the equipment

Fitting the push bar (Fig. 3a to 3b)

The push bar is fully pre-assembled and must only be swung out and adjusted to the required height. To do so, undo the star nuts (Figure 3a/Item 12) and unfold the top push bar. Then secure the top push bar again with the star nuts. Now release the quick-lock lever (Figure 3b/Item 13) by flipping it open, move the push bar to the required height and secure by flipping back the quick-lock lever.

Fitting the grass box (Fig. 3c)

Before you fit the grass bag you must ensure that the motor is switched off and the blade is not rotating. Lift the ejector flap (Fig. 3c/Item 7) with one hand. With the other hand, hold the grass bag by the handle and hook it in from above (Fig. 3c).

Adjusting the cutting height (Fig. 4)

Important. Adjust the cutting height only when the motor is switched off and the safety plug has been pulled. Before you begin to mow, check to ensure that the blade is not blunt and that none of the fasteners are damaged. To prevent any imbalance, replace blunt and/or damaged blades. To carry out this check, first switch off the motor and pull out the safety plug. The cutting height is adjusted as shown in Figure 4.

To do so, push the lever of the cutting height adjustment (Figure 4/Item 8) inwards, select the required cutting height by moving the lever to the left or right and pull back the lever to one of the six graduations (Figure 4/Item A-F). Make sure that the lever engages properly.

Position A

Cutting height: 25 mm

Position B

Cutting height: 35 mm

Position C

Cutting height: 45 mm

Position D

Cutting height: 55 mm

Position E

Cutting height: 65 mm

Position F

Cutting height: 75 mm

Battery

The equipment is fitted with a lithium-ion battery. The battery pack is completely closed and maintenance free.

Battery charge level indicator (Fig. 5a to 5b)

The battery pack is equipped with a pushbutton for checking the charge level. Simply press the pushbutton (Figure 5a/Item A) to read off the battery level from the LEDs:

- All 3 level monitoring LEDs are lit (Figure 5a): Battery charge level is high.
- 2 level monitoring LEDs are lit: Battery charge level is decreasing. Stop work as soon as possible.
- 1 level monitoring LED is lit: Battery is flat. Stop work IMMEDIATELY and charge the battery. Otherwise the battery's service life will be greatly shortened.
- Malfunction LED is lit (Figure 5b): The battery is defective. Do not continue to use the battery

under any circumstances but contact your customer service team.

Charging the battery

- Open the battery cover (Figure 1/Item 3) by pressing the lug on the side of the compartment and swinging up the cover (Figure 6a)
- Pull the battery up and out of the battery compartment (Figure 6b)
- Check that your mains voltage is the same as that marked on the rating plate of the battery charger.
- Insert the power plug of the charger into a socket outlet.
- Plug the charging plug of the charger into the socket in the battery (Figure 6c).
- The charging time will be approx. 2.5 to 4 hours.
- Remove the charging plug from the battery.
- Pull the power plug of the charger out of the socket outlet.

If the rechargeable battery pack fails to charge, check whether there is voltage at the socket outlet.

If you still fail to charge the battery pack, please return the complete equipment together with the battery charger to our customer service center.

Timely recharging of the battery will help it serve you well for a long time. You must recharge the battery pack when you notice that the power of the equipment drops.

Never allow the battery pack to become fully discharged. This will cause it to develop a defect.

Filling level indicator of the grass bag (Figure 7)

The grass bag is equipped with a filling level indicator (Fig. 7/Item A) which is opened by the airflow that the lawn mower generates during operation. If the flap closes during mowing, the grass bag is full and must be emptied. To ensure the proper functioning of the filling level indicator, the holes under the flap must always be kept clean and permeable.

7. Using the equipment

Important.

The lawn mower is equipped with a safety circuit to prevent unauthorized use. Directly before starting up the lawn mower insert the safety plug (Figure 8/Item 5) and remove the safety plug again whenever you interrupt or terminate your work.

To prevent the equipment switching on accidentally, the lawn mower is equipped with a safety lock-off (Figure 1/Item 2) which must be pressed before the ON/OFF switch (Figure 1/Item 1) can be activated. The lawn mower switches itself off when the ON/OFF switch is released. Repeat this process several times so that you are sure that the equipment functions properly.

Before you perform any repair or maintenance work on the equipment, ensure that the blade is not rotating and that the safety plug is disconnected.

Important. Never open the chute flap when the grass bag has been detached (to be emptied) and the motor is still running. A rotating blade can cause serious injuries!

Always carefully fasten the chute flap and grass bag. Switch off the motor before emptying the grass bag.

Always ensure that a safe distance (provided by the length of the long handles) is maintained between the user and the mower housing. Be especially careful when mowing and changing direction on slopes and inclines. Maintain a solid footing and wear sturdy, non-slip footwear and long trousers.

Always mow along the incline (not up and down). For safety reasons, the lawn mower may not be used to mow inclines whose gradient exceeds 15 degrees.

Use special caution when backing up and pulling the lawn mower. Tripping hazard!

GB**Tips for proper mowing**

It is recommended that you overlap mowing paths a little.

Only use a sharp blade that is in good condition. This will prevent the grass blades from fraying and the lawn from turning yellow.

Try to mow in straight lines for a nice, clean look. The swaths should overlap each other by a few centimeters in order to avoid stripes.

How frequently you should mow your lawn is determined primarily by the speed at which the grass grows. In the main growing season (May - June) you will probably need to mow the lawn twice a week, otherwise just once a week. The cutting height should be between 4 - 6 cm and the amount of growth before mowing again should be 4 - 5 cm. If the grass is allowed to grow somewhat longer on occasion, never make the mistake of cutting it back to the normal height in one go. This will harm the lawn. Never cut it back by more than half the height in one go.

Keep the underside of the mower housing clean and remove grass build-up. Deposits not only make it more difficult to start the mower; they decrease the quality of the cut and make it harder for the equipment to bag the grass.

Always mow along inclines (not up and down). You can prevent the lawn mower from slipping down by holding a position at an angle upwards.

Select the cutting height according to the length of the grass. If the lawn has grown quite a bit, mow over it several times so that no more than 4 cm of grass are cut at one time.

Switch off the motor before doing any checks on the blade. Keep in mind that the blade continues to rotate for a few seconds after the motor has been switched off. Never attempt to manually stop the blade. Regularly check to see if the blade is securely attached, is in good condition and is sharp. If the contrary is the case, sharpen the blade or replace it. In the event that the blade strikes an object, immediately switch off the lawn mower and wait for the blade to come to a complete stop. Then inspect the condition of the blade and the blade mount. Replace any parts that are damaged.

As soon as grass clippings start to trail the lawn mower or the level indicator (Figure 7/Item A) closes, it is time to empty the grass bag.

Important. Before taking off the grass bag, switch off the motor and wait until the blade has come to a stop.

To take off the grass bag, use one hand to lift up the chute flap and the other to grab onto the bag handle. Remove the bag. For safety reasons, the chute flap automatically falls down after removing the grass bag and closes off the rear chute opening. If any grass remains in the opening, it will be easier to restart the motor if you pull the mower back approximately 1m. Do not use your hands or feet to remove clippings in or on the mower housing, but instead use suitable tools such as a brush or a hand broom.

In order to ensure that the majority of grass clippings are picked up, the inside of both the catch bag and especially the net must be cleaned after each use.

Reattach the grass bag only when the motor is switched off and the blade is stopped. Using one hand, lift up the chute flap, while grabbing onto the bag handle with the other. Hang in the bag from the top.

8. Cleaning, maintenance and ordering of spare parts

Pull the safety plug before carrying out any cleaning work (Figure 8/Item 5).

8.1 Cleaning

- Keep all safety devices, air vents and the motor housing free of dirt and dust as far as possible. Wipe the equipment with a clean cloth or blow it down with compressed air at low pressure.
- We recommend that you clean the equipment immediately after you use it.
- Clean the equipment regularly with a damp cloth and some soft soap. Do not use cleaning agents or solvents; these may be aggressive to the plastic parts in the equipment. Ensure that no water can get into the interior of the equipment.
- Do not clean the lawn mower with running water, particularly with high-pressure water.
- At the end of the season, perform a general inspection of the lawn mower and remove any grass and dirt which may have accumulated. At the start of each season, ensure that you check the condition of the blade. If repairs are necessary, please contact our customer service center. Use only genuine spare parts.

8.2 Servicing

- Ensure that all mounting components (i.e. screws, bolts, nuts etc.) are always tightened so that the equipment can be safely operated at all times.
- Frequently check the grass catch assembly for signs of wear.
- Replace excessively worn or damaged parts immediately.
- In order to ensure that you enjoy your equipment for many years to come, all screwed parts, as well as the wheels and axles, should be cleaned and lubricated.
- There are no parts inside the equipment which require additional maintenance.

8.3 Replacing the blade

The cutting components - i.e. the knife cage and lower knife blade - are subjected to more wear and tear than any other component of the unit. Therefore, routinely check the condition of the blade and make sure that it is tightly fastened. If the blade is completely worn out, it must be immediately replaced or ground sharp again. An excessively vibrating mower means that the blade is not properly balanced or has become deformed from striking an object. In this case, the blade must be repaired or replaced.

For safety reasons, we recommend having the blade replaced by an authorized professional. Important. Wear work gloves! Only replace the blade with a genuine Einhell replacement blade, as this will ensure top performance and safety under all conditions.

Carry out the following steps to change the blade:

- Undo the fastening screw (Figure 9/Item A).
- Remove the blade and replace with a new one.
- When fitting the blade (Figure 9/Item C), make sure it is installed in the right direction. The blade's air vanes must jut into the motor compartment (see Fig. 9).
- Now fit the metal plate (Figure 9/Item B) onto the axle and insert the fastening screw.
- Then retighten the fastening screw with the universal wrench. The tightening torque should be approx. 25 Nm.

8.4 Ordering replacement parts

Please provide the following information on all orders for spare parts:

- Model/type of the equipment
- Article number of the equipment
- ID number of the equipment
- Spare part number of the required spare part

Spare blade Art. No.: 34.054.75

Replacement battery pack Art. No.: 45.114.30

9. Storage

Store the equipment and accessories out of children's reach in a dark and dry place at above freezing temperature. The ideal storage temperature is between 5 and 30 °C. Store the electric tool in its original packaging.

10. Disposal and recycling

The equipment is supplied in packaging to prevent it from being damaged in transit. The raw materials in this packaging can be reused or recycled. The equipment and its accessories are made of various types of material, such as metal and plastic. Defective components must be disposed of as special waste. Ask your dealer or your local council.

GB**11. Troubleshooting guide**

Fault	Possible causes	Remedy
Motor does not start	a) Capacitor defective b) battery pack empty c) Cable defective d) Switch/plug block defective e) Motor terminals or capacitor disconnected f) Mower standing in high grass g) The mower housing is clogged h) Safety switch is not inserted i) Battery is not correctly inserted	a) By customer service center b) charge battery pack c) Check the cable d) By customer service center e) By customer service center f) Start motor on shorter grass or already mowed area; change cutting height if necessary g) Clean housing so that the blade can run freely h) Insert safety switch (see 7.) i) Remove the battery and reinsert (see 6.)
Motor performance drops	a) Grass too tall or damp b) The mower housing is clogged c) Blades badly worn d) Battery performance decreasing	a) Correct the cutting height b) Clean housing c) Replace blades d) Check the battery performance and charge the battery if necessary (see 6.)
Unclean cuts	a) Blades worn b) Wrong cutting height	a) Replace or sharpen the blade b) Correct the cutting height

Important. For protection, the motor is equipped with a thermal switch which cuts out when the motor is overloaded and switches on again automatically after a short cooling period.

The guarantee provided in this Guarantee Certificate is given by Einhell Australia Pty Limited
ACN 134 632 858 of 6/166 Wellington Street, Collingwood, Victoria (Telephone number 1300 922 271)
(Einhell Express Guarantee).

GUARANTEE CERTIFICATE

Dear Customer,

All of our products undergo strict quality checks. In the unlikely event that your device develops a fault, please contact our service department at the address shown on this guarantee certificate. Of course, if you would prefer to call us then we are also happy to offer our assistance under the service number printed below. Please note the following terms under which claims under the Einhell Express Guarantee can be made:

1. The benefits conferred by the Einhell Express Guarantee are in addition to all rights and remedies which you may be entitled to under the Australian Consumer Law, and any other statutory rights you may have under other applicable laws. This Einhell Express Guarantee does not exclude, restrict or modify any such rights or remedies.

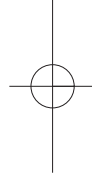
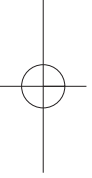
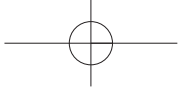
We do not charge you for the Einhell Express Guarantee.

2. Our goods come with guarantees that cannot be excluded under the Australian Consumer Law. You are entitled to a replacement or refund for a major failure and for compensation for any other reasonably foreseeable loss or damage. You are also entitled to have the goods repaired or replaced if the goods fail to be of acceptable quality and the failure does not amount to a major failure.
3. The Einhell Express Guarantee only covers problems caused by material or manufacturing defects, and our liability under the Einhell Express Guarantee is limited, at our discretion, to the rectification of these defects or replacement of the product. Please note that the product has not been designed for use in commercial, trade or industrial applications. Consequently, the Einhell Express Guarantee will not apply if the product is used in commercial, trade or industrial applications or for other equivalent activities.
4. The following are also excluded from the Einhell Express Guarantee: compensation for transport damage, damage caused by failure to comply with the installation/assembly instructions or damage caused by unprofessional installation, failure to comply with the operating instructions (e.g. connection to the wrong mains voltage or current type), misuse or inappropriate use (such as overloading of the product or use of non-approved tools or accessories), failure to comply with the maintenance and safety regulations, ingress of foreign bodies into the product (e.g. sand, stones or dust), effects of force or external influences (e.g. damage caused by the product being dropped) and normal wear resulting from proper operation of the product. The Einhell Express Guarantee will also not apply if any attempt is made to tamper with the product.
5. The Einhell Express Guarantee is valid for a period of 2 years starting from the purchase date of the product. Claims made under the Einhell Express Guarantee should be submitted before the end of this guarantee period and within two weeks of the defect being noticed. No claims under the Einhell Express Guarantee will be accepted if submitted after the end of this guarantee period. The original guarantee period remains applicable to the device even if repairs are carried out or parts are replaced. In such cases, the work performed or parts fitted will not result in an extension of the guarantee period for the Einhell Express Guarantee, and the Einhell Express Guarantee will not apply for the work performed or parts fitted. This also applies when an on-site service is used.
6. To make a claim under the Einhell Express Guarantee, please send the relevant product postage-free to the address shown below and enclose either the original or a copy of your sales receipt or another dated proof of purchase. It would help us if you could describe the nature of the problem in as much detail as possible. If the defect is covered by the Einhell Express Guarantee, your product will be repaired immediately and returned to you, or we will send you a new device (at our election).

Any costs incurred by you in making a claim under this Einhell Express Guarantee, unless specified otherwise in this guarantee certificate, must be borne by you.

Of course, we are also happy to offer a chargeable repair service for any defects which are not covered by the scope of the Einhell Express Guarantee or for products which are no longer covered by the Einhell Express Guarantee. To take advantage of this service, please send the product to our service address.

EINHELL AUSTRALIA PTY LTD
6/166 Wellington Street
Collingwood VIC 3066
Australia
Phone: 1300 922 271



EH 06/2010 (01)

