



Scroll Saw with electronic DS 405/1 E

Art.-no.: **43.090.15**

bar code: **4006825507010**

sales unit: **1 pc**

You can work with the Scroll Saw precise and complicated on wood, plastic, aluminium, plexi glass and gypsum. Using especially in model construction and handcraft work. With the stable parallel arm is it easy to saw accurately straightforward. The flexibility of the DS 405/1 E points itself when working to the millimetre range, sawing perfect round forms and circles out. A blower device removes the dust particle directly from the working piece. The transparent saw blade protection offers optimal security without disturbing the work. For mitre cuts you can adjust the workbench over up to 45 degrees.

Features:

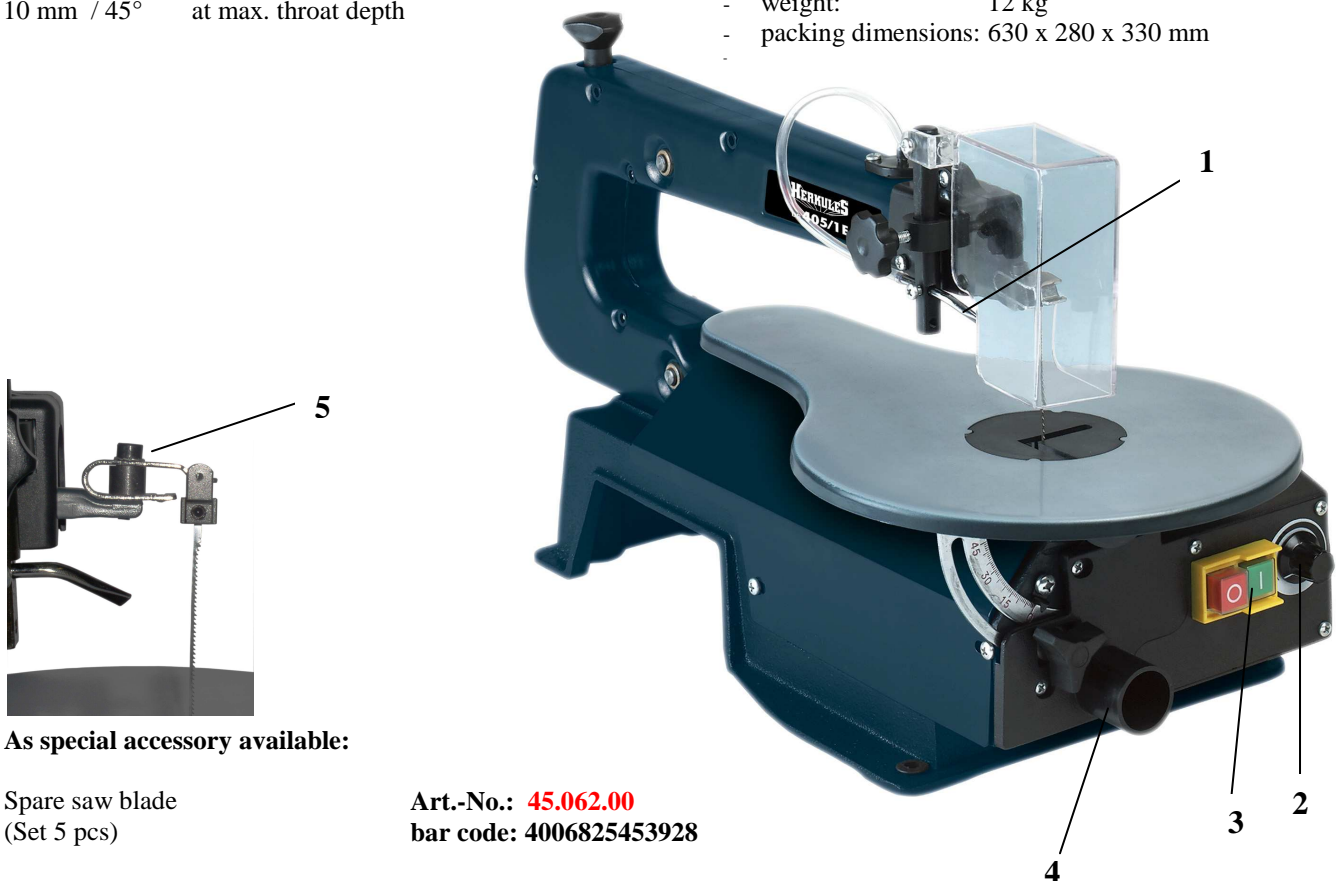
- sawdust blower facility (1)
- stroke rate electronic (2)
- no-voltage releasing magnet (3)
- dust extraction device (4)
- adapter for leave saw blades (5)

Technical data:

- mains: 230 V ~ 50 Hz
- power: 120 watts S2 5 min
- idle stroke speed: $n_0: 400-1600 \text{ min}^{-1}$
- stroke height: 21mm
- saw blade length: 127 mm
- cutting height max.: 57 mm/90°, 27 mm/ 45°
- throat depth: 406 mm
- table size: 410 x 253 mm
- table tiltable: 0° to 45°
- weight: 12 kg
- packing dimensions: 630 x 280 x 330 mm

Transmitting height:

50 mm / 90° at max. throat depth
10 mm / 45° at max. throat depth



As special accessory available:

Spare saw blade
(Set 5 pcs)

Art.-No.: **45.062.00**
bar code: **4006825453928**