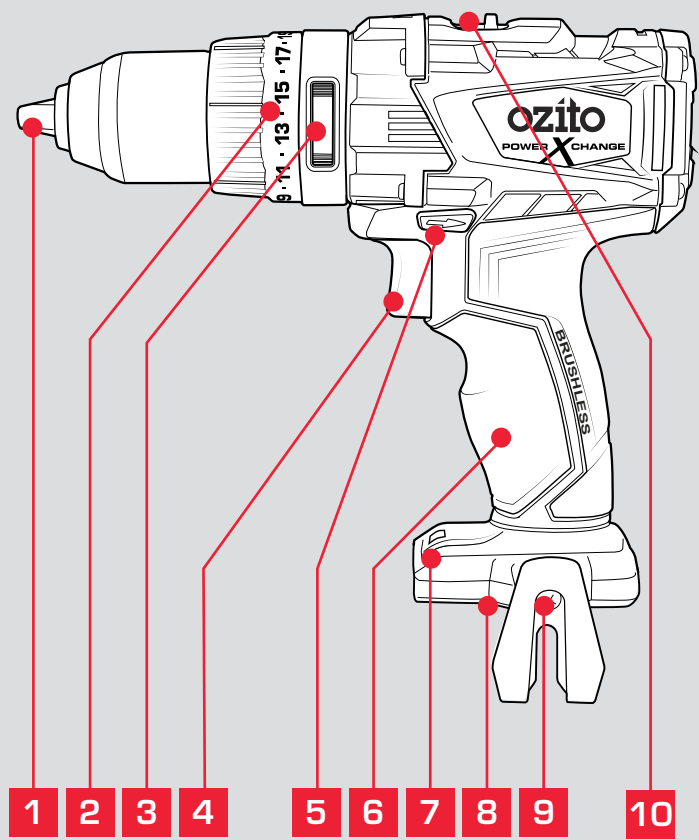


KNOW YOUR PRODUCT

BRUSHLESS HAMMER DRILL

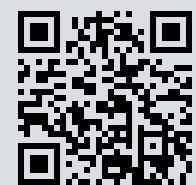
- 1 Metal Ratcheting Chuck
- 2 Torque Adjustment Collar
- 3 Function Collar
- 4 Variable Speed Trigger
- 5 Forward / Reverse Lever
- 6 Sure Grip Handle
- 7 LED Light
- 8 Battery Seating
- 9 Belt Clip
- 10 Gear Selector



BATTERY & CHARGER (sold separately)

This tool is compatible with all battery and chargers from the Ozito Power X Change Range.

ONLINE MANUAL
Scan this QR Code with your mobile device to take you to the online manual.



SETUP & PREPARATION

1. BATTERY & CHARGING

CAUTION THE CHARGER FOR THIS PRODUCT SHOULD BE PROTECTED BY A RESIDUAL CURRENT DEVICE (RATED AT 30mA OR LESS).

The purchased battery will be shipped in a low charge condition, and requires charging prior to use. Allow several cycles of charging and discharging (through use of the tool) for the battery to reach its optimum performance / runtime.

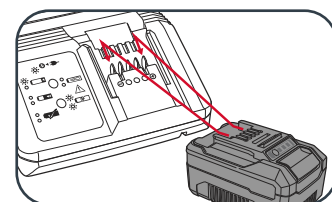
Charging your lithium ion battery - Fast Charger

- 1 Connect the charger into a mains power outlet.

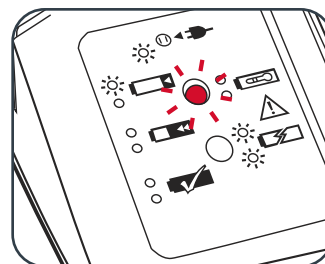
2 The charger LED will flash green showing power is being supplied to the charger.



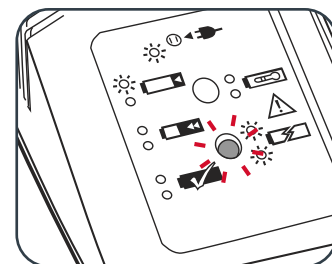
3 With the charger sitting on a flat surface, align the raised ribs on the battery with the recess in the charger and slide onto the charger ensuring a firm connection.



4 The charger LED will illuminate red signifying that the battery is charging.



5 The charger LED will illuminate green once the battery is charged.



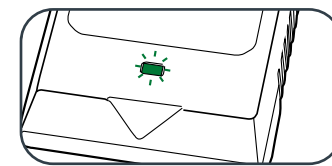
Charger LED Indicator

LED Indicator	Situation
GREEN (Flashing)	Stand By (no battery pack is inserted)
RED (Flashing)	Battery is charging (low charge)
RED (Illuminated)	Battery is charging (mid charge)
GREEN (Illuminated)	Battery is 85% - 100% charged and ready for use
BOTH (Illuminated)	Battery pack is too hot or too cold (charging will begin automatically when battery reaches correct charging temperature).
BOTH (Flashing)	Defective battery. Never charge a defective battery pack! Remove battery pack from charger.

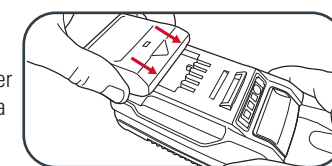
Charging your lithium ion battery - Eco Charger

- 1 Connect the charger into a mains power outlet.

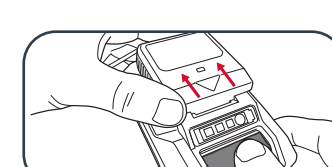
2 The charger LED will flash green showing power is being supplied to the charger.



3 With the battery sitting on a flat surface, align the raised ribs on the battery with the recess in the charger and slide onto the battery ensuring a firm connection.



4 The charger LED will illuminate red signifying that the battery is charging.



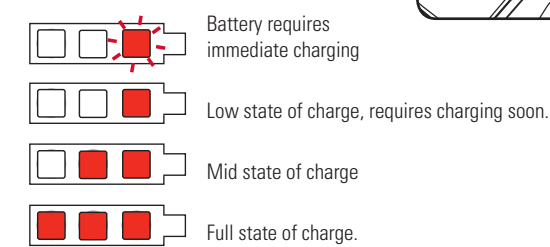
5 When removing the charger from the battery, first press the battery release tab, then slide the charger from its position.

Charger LED Indicator

LED Indicator	Situation
GREEN (Flashing)	Stand By (no battery pack is inserted)
RED (Illuminated)	Battery is charging (low charge)
GREEN (Illuminated)	Battery is charged and ready for use
RED (Flashing)	Battery or Charger fault
RED & GREEN (Flashing)	Battery pack is too hot or too cold (remove battery from charger and store at room temperature 20°C. Insert battery again when at correct charging temperature). If this happens again, the battery is defective and needs to be replaced.

Battery Charge Indicator

The purchased battery is equipped with a battery charge indicator to show the state of the battery charge. Press the charge indicator button and look to see which LED lights.

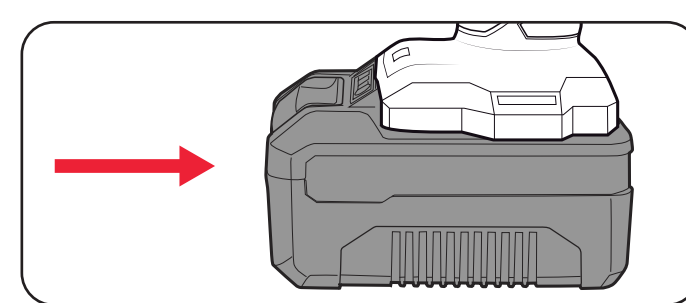


Note: The battery needs to be removed from the tool to check the state of charge.

2. BATTERY INSTALLATION

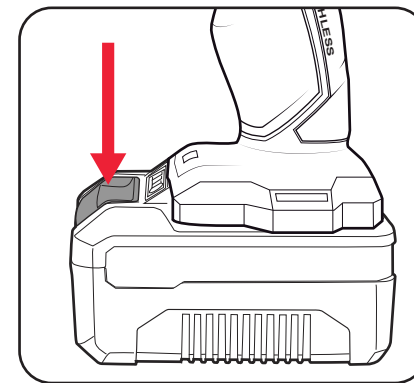
Installing the Battery Pack

- 1 Slide the battery into the drill base until it clicks into place.

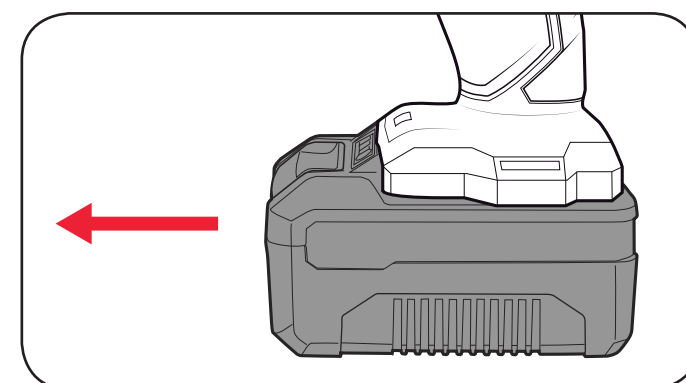


Removing the Battery Pack

- 1 Hold down the battery release button.



- 2 Slide the battery out.

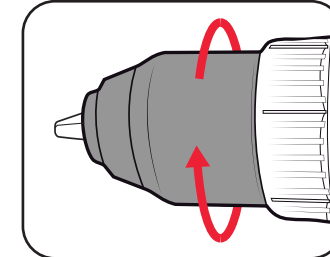


3. KEYLESS CHUCK

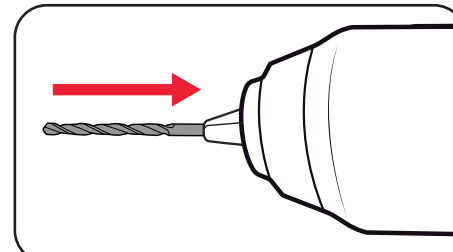
CAUTION ENSURE THE TOOL IS SWITCHED OFF AND DISCONNECTED FROM THE POWER SUPPLY BEFORE PERFORMING ANY OF THE FOLLOWING TASKS.

Installing a Drill Bit

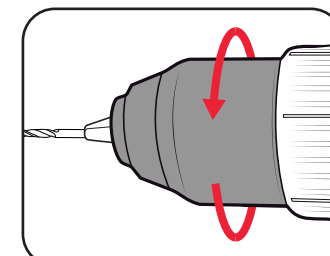
- 1 Rotate the chuck collar anti-clockwise to open the chuck.



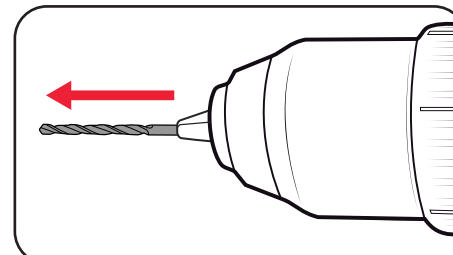
- 2 Insert the drill bit, making sure it is centred in the chuck.



- 3 Tighten the chuck by turning clockwise.

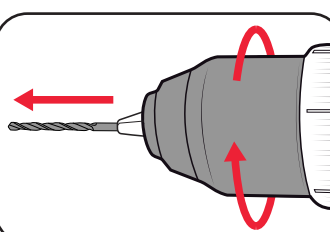


- 4 Pull on the bit to ensure it is firmly secured.



Removing a Drill Bit

- 1 Open the chuck by rotating the chuck collar and remove the drill bit.



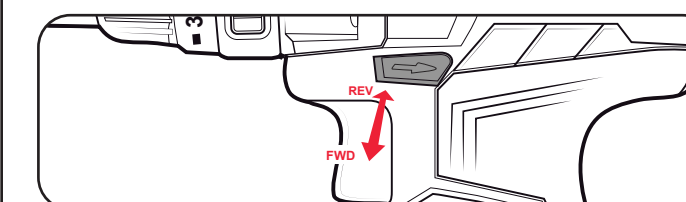
CAUTION TO REDUCE THE RISK OF INJURY, WE RECOMMEND THE USE OF GLOVES WHEN HANDLING DRILL BITS.

OPERATION

4. CONTROLS

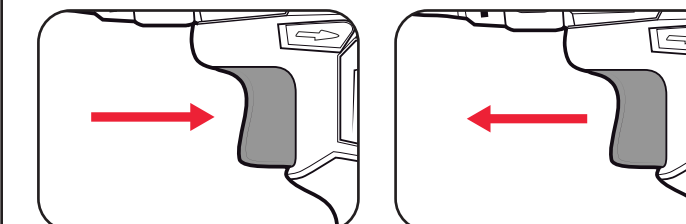
Forward/ Reverse Lever

- 1 For forward rotation, push the fwd/rev lever towards the left side of the drill. For reverse rotation push fwd/rev lever to the right.



Variable Speed Trigger

- 1 To start drilling squeeze the variable speed trigger.
- 2 To stop drilling release the trigger.

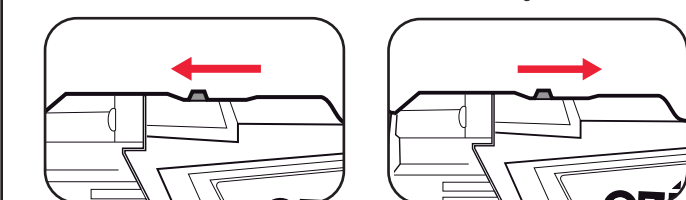


Note: The more the variable speed trigger is depressed, the faster the drill bit will rotate.

Speed Control

The gear selector controls the speed of the drill. First gear allows slower drilling with more torque, while second gear is suitable when less torque but higher speed is required.

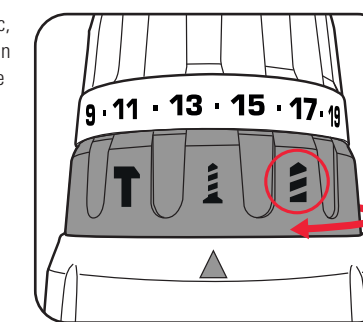
- 1 Slide the switch forward to select first gear.
- 2 Slide the switch backward to select second gear.



5. FUNCTIONS

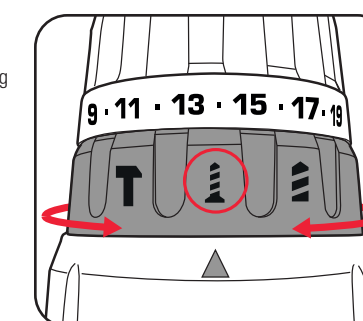
Drilling

- 1 To drill into wood, metal or plastic, turn the function collar to align the arrow on the housing with the drill icon.



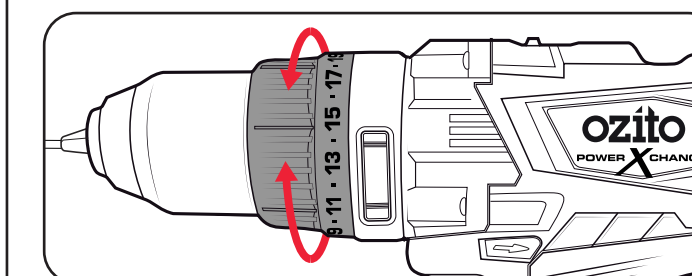
Screwdriving

- 1 To screw into wood, metal or plastic, turn the function collar to align the arrow on the housing with the screw icon.



The clutch is then enabled to adjust torque.

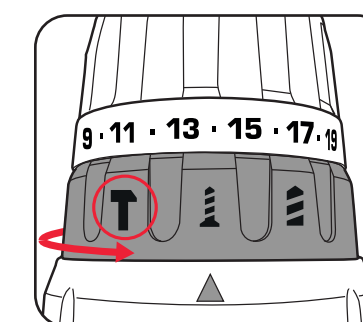
- 2 To adjust the torque, rotate the torque collar to the desired setting.



Note: Selecting a higher torque setting will allow the drill to use more torque to drive the screw in or out. To prevent damaging the screw head, it is recommended to start at a low torque setting and increase when necessary.

Hammer Drilling

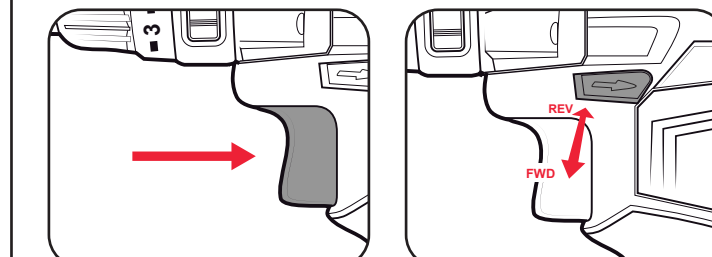
- 1 To drill into concrete, brick or other masonry, turn the function collar to the arrow on the housing with the hammer icon.



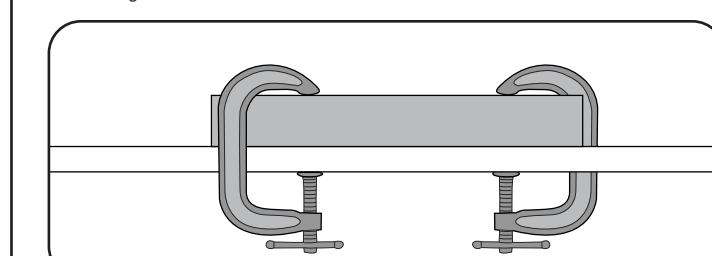
6. DRILLING

Before starting to drill, perform a few simple checks.

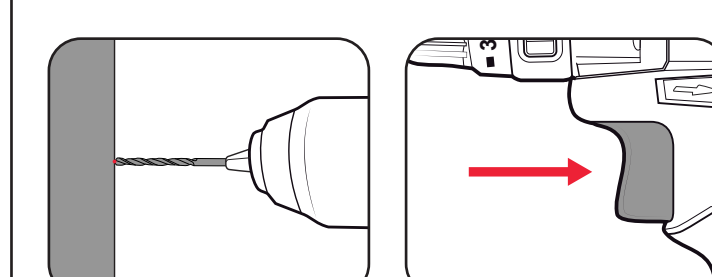
- 1 Depress and release the variable speed trigger to ensure it is not locked on.
- 2 Check the function selector and forward/reverse lever is on desired setting.



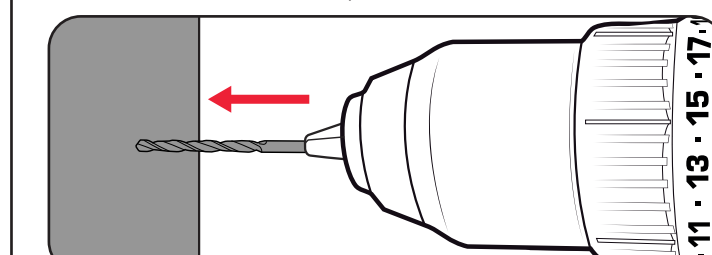
- 3 Secure the material to be drilled in a vice or clamp to stop it turning whilst drilling.



- 4 Hold the drill firmly and place the bit at the point to be drilled.
- 5 Depress the variable speed trigger to start the drill.



- 6 Move the drill bit into the workpiece.



Note: Do not force the drill or apply side pressure to elongate the hole. Let the drill do all the work.

5 YEAR
REPLACEMENT WARRANTY