

 **Directions for use  
Grass Trimmer**

**Einhell**<sup>®</sup>

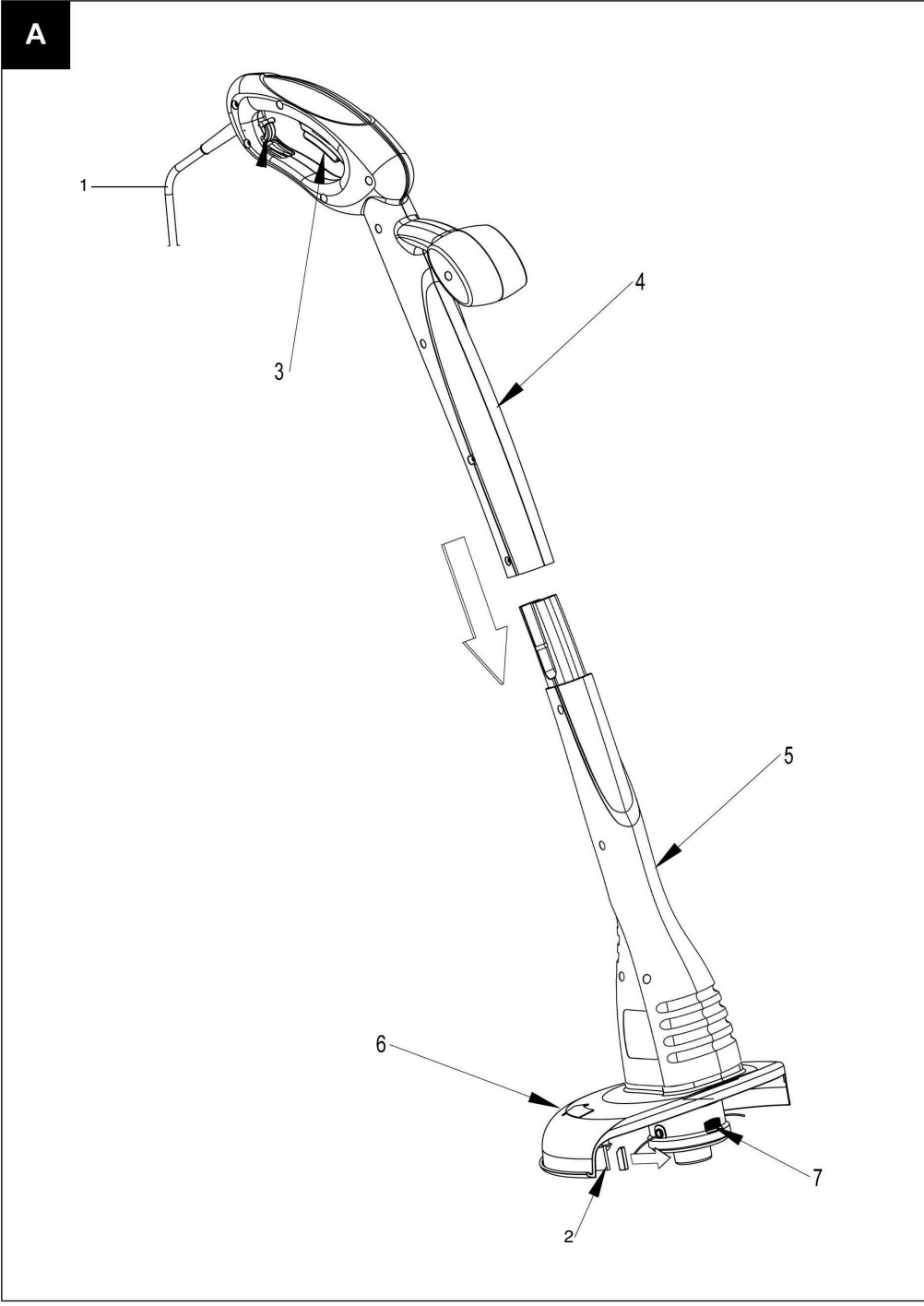
**7**

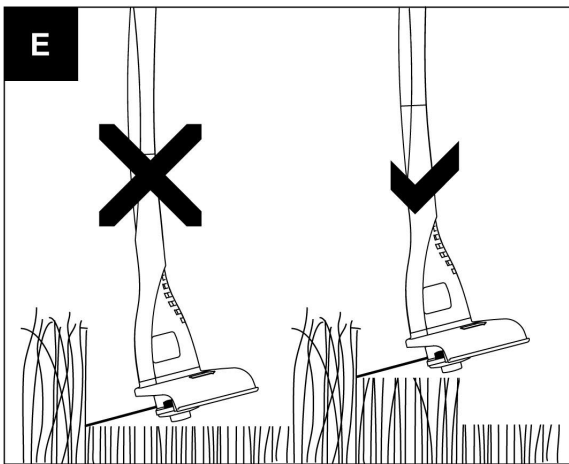
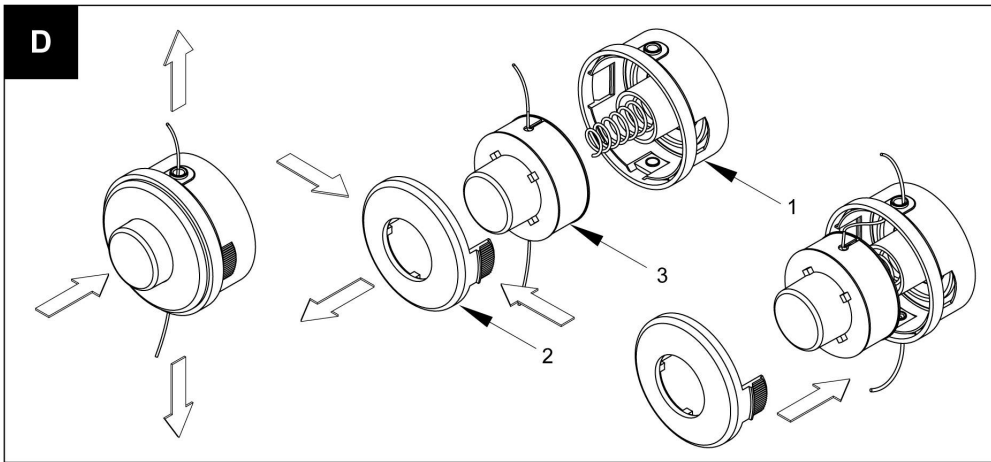
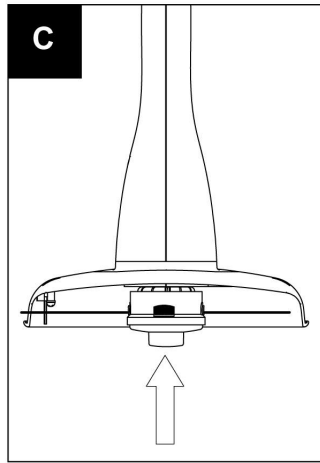
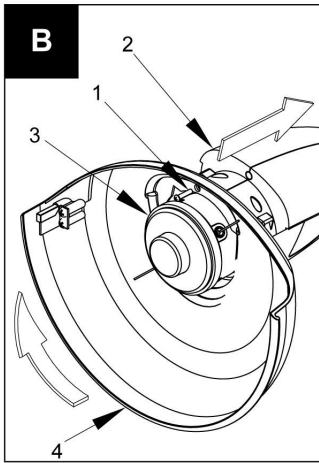
**CE**

**Art.-Nr.: 34.014.47**

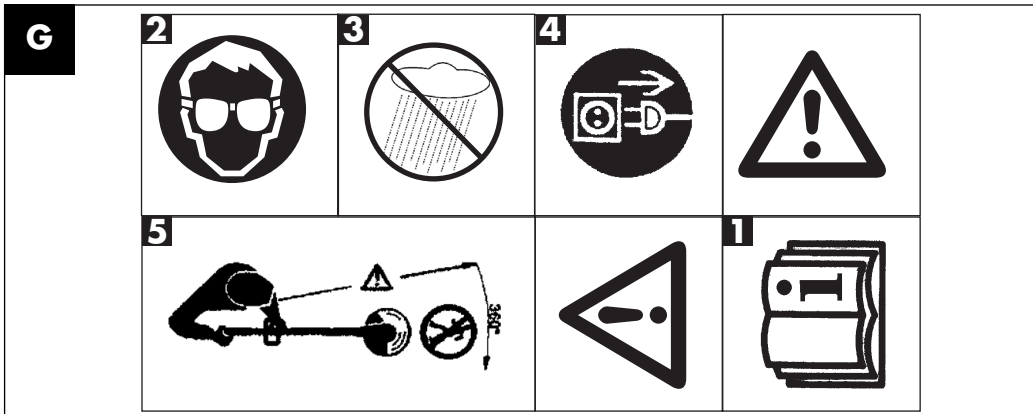
**I.-Nr.: 01018**

**BG-ET 250**





GB



## 1. Items supplied (see Figure A)

1. Power cable
2. Knife
3. On/Off switch
4. Upper handle
5. Motor cover
6. Safety cover
7. Line spool

## 2. Important notes



Please read the directions for use carefully and observe the information provided. It is important to consult these instructions in order to acquaint yourself with the grass trimmer, its proper use and safety precautions.

### Important!

**For safety reasons the grass trimmer is not to be used by children, young people under 16 years of age, or any other persons who are not acquainted with these directions for use.**

**Keep the instruction manual in a safe place for later use.**

- The machine may only be powered via an earth-leakage circuit breaker (RCD) with a maximum operating current of 30 mA.
- Examine the grass trimmer each time before you use it. Do not use the trimmer if any safety devices are damaged or worn. Never put safety devices out of operation.
- Use the grass trimmer only for the purpose specified in these instructions.

- You are responsible for safety in your work area.
- Inspect the items you want to cut before starting to work. Remove any foreign objects you find. Watch out for foreign objects while you work. If you still hit upon an obstacle while cutting, turn off the grass trimmer and remove the obstacle.
- Work only in good visibility.
- Always make sure of your footing while working. Be careful when stepping backwards. Risk of stumbling!
- Never leave the grass trimmer unattended at your work place. Store the trimmer in a safe place during interruptions.
- If you interrupt your work to move to a different position it is imperative to switch off the grass trimmer while you are moving there.
- Never use the grass trimmer in the rain or in moist or wet conditions.
- Protect the grass trimmer from the damp and rain.
- Before you switch on the grass trimmer, make sure that there are no stones or other objects touching the nylon line.
- Always wear suitable clothing to protect your head, hands and feet from injury. Wear a helmet, goggles or visor, high boots or strong shoes, long trousers made of tough material, and work gloves.
- Be sure to hold the grass trimmer away from your body when it is switched on!
- If the grass trimmer is turned over or if it is not in working position, do not switch it on.
- Switch off the motor and pull out the power plug when you are not using the grass trimmer, when you leave the trimmer unattended, when you are checking the trimmer, if the power cable is damaged, when you want to remove and replace the spool, and when you are moving the trimmer to another location.

- Keep the grass trimmer away from other persons, particularly children and pets. There may be stones and other objects in the flying cut grass.
- Keep at least 5 m away from other persons and animals when you are working with the grass trimmer.
- To prevent injury to yourself and damage to the grass trimmer, never cut against hard objects.
- Use the edge of the guard to keep the grass trimmer away from walls, changes of surface and fragile objects.
- Never use the grass trimmer without a guard.

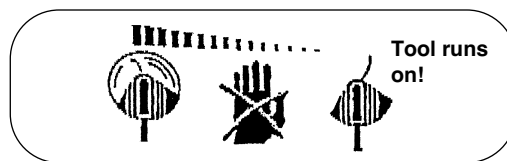
**⚠ CAUTION! The guard is vital for your safety and for the safety of others, and it is also essential for the grass trimmer to work correctly. Failure to observe this instruction will not only create a potential hazard, it will also result in the loss of your rights under the warranty.**

- Never try to stop the cutter (nylon line) with your hands. Wait until it stops by itself.
- It is imperative to use only the original nylon line. Never use metal wire instead of the nylon line.
- Beware of injuring yourself on the line cutting device.
- Keep the air vents clear of dirt.
- After use, unplug the machine and check it for damage.
- Never attempt to cut grass that is not growing on the ground. For example, do not try to cut grass growing on walls, rocks, etc.
- Within the working radius of the grass trimmer the user is responsible for any damage caused to third persons by use of the trimmer.
- Never cross roads or pebble paths with the grass trimmer switched on.
- When you are not using the grass trimmer, keep it in a dry place out of the reach of children.
- Use the grass trimmer only as described in these directions for use and always hold it vertical to the ground. All other positions are dangerous.
- Check the screws regularly to see that they are properly tightened.
- The mains voltage must be the same as the voltage specified on the rating plate.
- Check the power cable regularly for signs of damage or aging. Never use the grass trimmer if the power cable is in less than perfect condition.
- Power cables used with the trimmer must not be of a lighter duty class than HO7RN-F rubber-insulated flexible cables according to DIN 57282 / VDE 0282 with a minimum diameter of 1.5 mm<sup>2</sup>.

Plug connectors must be equipped with earthing contacts and the coupling must be rain-water-protected.

- Keep cables and other objects out of the area you want to cut.
- If you have to lift the grass trimmer to move it, switch off the motor and wait for the rotating tool to stop. Before you leave the trimmer, switch off the motor and pull out the power plug.
- Before you connect the grass trimmer to the power supply, make sure that none of its moving parts are damaged and that the line spool is correctly inserted and fastened.
- Never cut against hard objects when using the grass trimmer. This is imperative to avoid causing injury to the user and damage to the trimmer.
- Use only original replacement parts for repair and maintenance purposes.
- Have repairs carried out only by a qualified electrician.
- Examine the grass trimmer for signs of wear or damage each time before you use it and after any collisions. Have essential repairs carried out without delay.
- Always keep your hands and feet away from the cutting mechanism, particularly when you switch on the trimmer.
- After pulling out new line, always return the trimmer to normal working position before you switch it on again.
- Never use replacement parts or accessories which are not foreseen or recommended by the manufacturer.
- Pull out the power plug before carrying out any inspection, cleaning or other work on the trimmer and whenever it is not being used.
- If the cable is damaged during operation, disconnect it immediately from the power supply. **DO NOT TOUCH THE CABLE BEFORE IT IS DISCONNECTED FROM THE POWER SUPPLY.**
- Keep the extension cable away from the cutting tools at all times.

**⚠ Caution! The nylon line will run on for a few seconds after the tool is switched off!**



**GB**

### 3. Symbols used on the appliance (see Figure G)

- Item 1:** Warning! Read the instruction manual before starting
- Item 2:** Wear eye protection
- Item 3:** Protect from moisture
- Item 4:** Pull out the mains plug before checking a damaged power cable
- Item 5:** Keep other people, children and animals out of the danger area

### 4. Technical data

Voltage	230V ~ 50 Hz
Power rating	250 W
Cutting width	ø 24 cm
Speed	12,500 rpm
Nylon cutting line	ø 1.2 mm
Sound pressure level $L_{pA}$	82 dB(A)
Sound power level $L_{WA}$	95 dB(A)
Vibration $a_{nv}$	$\leq 2,5 \text{ m/s}^2$
Protection class:	II/□
Weight	1,8 kg

Sound and vibration were measured in accordance with EN 786.

### 5. Assembling the grass trimmer

- **To mount the item**  
Push the 2 parts of the item together (Figure A). Be careful not to trap the cable.
- **To install the safety hood**  
Place the safety hood on the motor head (Figure B) and then turn it clockwise until it engages. Secure it with the screw supplied.

### 6. Proper use

The trimmer is designed for cutting lawns and small areas of grass in private and hobby gardens. Tools for private and hobby gardens are not suitable for use in public facilities, parks and sport centers, along roadways, on farms or in the forestry sector. For the tool to be used properly it is imperative to follow the instructions set out in the manufacturer's directions for use. Important! It is prohibited to use the tool to chop material for composting because of the potential danger to persons and property.

The machine is to be used only for its prescribed purpose. Any other use is deemed to be a case of misuse. The user / operator and not the manufacturer will be liable for any damage or injuries of any kind caused as a result of this.

Please note that our equipment has not been designed for use in commercial, trade or industrial applications. Our warranty will be voided if the machine is used in commercial, trade or industrial businesses or for equivalent purposes.

### 7. To start

The grass trimmer is designed only to cut grass. The grass trimmer has a semi-automatic line extension system. Each time you activate the semi-automatic line extension system, the line will be extended to ensure that you can cut your lawn with the perfect cutting width at all times. Please note that the wear on the line will be increased if you activate the semi-automatic line extension system frequently.

#### Note

**Before the first use, remove the blade cover from the blade (Figure A/Item 2)**

#### Note

**If the line is too long when you use the machine for the first time, the surplus end of it will be cut by the blade on the safety hood.**

**If the line is too short when you start the machine for the first time, press the knob on the line spool and pull the line hard. When you then start the machine for the first time the line will be cut to the perfect length automatically.**

Your grass trimmer will work at its best if you observe the following instructions:

- Never use the grass trimmer without its safety devices.
- Do not cut grass when it is wet. The best results are had on dry grass.
- To switch on your grass trimmer press the ON/OFF switch (Figure 1 Item 3).
- To deactivate the grass trimmer, let go of the On/Off switch (Figure 1 / Item 3).
- Do not move the grass trimmer against the grass until the switch is pressed, i.e. wait until the trimmer is running.
- For the correct cutting action, swing the grass trimmer to the side as you walk forward, holding it at an angle of approx. 15° as you do so (see Figure F).

- Make several passes to cut long grass shorter step by step from the top (see Figure E).
- Make full use of the edge guide and the guide hood in order to avoid unnecessary line wear.
- Keep the grass trimmer away from hard objects in order to avoid unnecessary line wear.

## 8. Replacing the line spool

Be sure to disconnect the power plug from the power supply before you replace the line spool!

- Press the sides of the spool cover as shown and remove it with the spool (Figure D). Ensure that you do not lose the spring.
- Remove the empty line spool.
- Thread the ends of the line on the new line spool through the eyelets in the spool cover.
- Fit the spool cover and spool back into the spool mounting.
- When you start the machine again the line will be cut to the perfect length automatically.

**Caution! Catapulted pieces of nylon line may cause injury!**

## 9. Cleaning and maintenance

- Switch off and unplug the grass trimmer before putting it away or cleaning it.
- Remove deposits from the guard hood with a brush.
- Clean the plastic body and plastic parts with a mild household detergent and a damp cloth.
- Never use aggressive agents or solvents for cleaning purposes!
- Never spray down the grass trimmer with water. Prevent water getting into the trimmer at all cost.

## 10. Troubleshooting

- The machine will not work: Check that the power cable is connected properly and check the mains fuses.

If the machine will not work despite the voltage supply being OK, send it to the specified after-sales service address.

## 11. Waste disposal

- **Important**
- The grass trimmer and its accessories are made of various types of material, such as metal and plastic. Defective components must be disposed of as special waste. Ask your dealer or your local council.

## 12. Ordering replacement parts

The following information should be given when ordering replacement parts:

- Model/type of the equipment
- Art. No. of the equipment
- ID No. of the equipment
- Part number of the required spare part

Helpline number: 0151 649 1500



## Declaration of Conformity

ISC-GmbH · Eschenstraße 6 · D-94405 Landau/Isar

**D** erklärt folgende Konformität gemäß EU-Richtlinie und Normen für Artikel  
**GB** declares conformity with the EU Directive and standards marked below for the article  
**F** déclare la conformité suivante selon la directive CE et les normes concernant l'article  
**NL** verklaart de volgende conformiteit in overeenstemming met de EU-richtlijn en normen voor het artikel  
**E** declara la siguiente conformidad a tenor de la directiva y normas de la UE para el artículo  
**P** declara a seguinte conformidade de acordo com a directiva CE e normas para o artigo  
**S** förklarar följande överensstämmelse enl. EU-direktiv och standarder för artikeln  
**FIN** ilmoittaa seuraavaa Euroopan unionin direktiivien ja normien mukaista yhdenmukaisuutta tuotteelle  
**N** erklærer herved følgende samsvar med EU-direktiv og standarder for artikkel  
**BS** заявляет о соответствии товара следующим директивам и нормам ЕС  
**HR** izjavljuje sljedeću uskladenost s odredbama i normama EU za artikl.  
**RO** declară următoarea conformitate cu linia directoare CE și normele valabile pentru articolul.  
**TR** ürün ile ilgili olarak AB Yönetmelikleri ve Normları gereğince aşağıdaki uygunluk açıklama masını sunar.  
**GR** δηλώνει την ακόλουθη συμφώνια σύμφωνα με την Οδηγία ΕΕ και τα πρότυπα για το προϊόν


**I** dichiara la seguente conformità secondo la direttiva UE e le norme per l'articolo  
**DK** attesterer følgende overensstemmelse i henhold til EU-direktiv og standarder for produkt  
**CZ** prohlašuje následující shodu podle směrnice EU a norem pro výrobek.  
**H** a következő konformitást jelenti ki a termékerekre vonatkozó EU-irányvonalak és normák szerint  
**SK** pojednává sledečo skladnost po smernici EU in normah za artikel.  
**PL** deklaruje zgodność wymienionego poniżej artykułu z następującymi normami na podstawie dyrektywy WE.  
**SV** vydáva nasledujúce prehlásenie o zhode podľa smernice EÚ a noriem pre výrobok.  
**RU** декларирует следното съответствие съгласно директивите и нормите на ЕС за продукта.  
**UA** заявляє про відповідність згідно з Директивою ЄС та стандартами, чинними для даного товару  
**ES** deklareerib vastavuse järgnevalele EL direktiivi dele ja normidele  
**LT** deklaruoja atitiktį pagal ES direktyvas ir normas straipsniui  
**IE** izjavljuje sledeći konformitet u skladu s odredbom EZ i normama za artikl  
**LV** Atbilstības sertifikāts apliecina zemāk minēto preču atbilstību ES direktīvām un standartiem  
**IS** Samræmisfyrirlysing staðfestir eftirfarandi samræmi samkvæmt reglum Evrópubandalagsins og stöðlum fyrir vörur


## Grass Trimmer BG-ET 250

<input checked="" type="checkbox"/> 98/37/EC	<input type="checkbox"/> 87/404/EEC
<input checked="" type="checkbox"/> 2006/95/EC	<input type="checkbox"/> R&TTED 1999/5/EC
<input type="checkbox"/> 97/23/EC	<input checked="" type="checkbox"/> 2000/14/EC_2005/88/EC: $L_{WM} = 91 \text{ dB}$ ; $L_{WA} = 95 \text{ dB}$ $\varnothing = 24 \text{ cm}$
<input checked="" type="checkbox"/> 2004/108/EC	<input type="checkbox"/> 95/54/EC:
<input type="checkbox"/> 90/396/EEC	<input type="checkbox"/> 97/68/EC:
<input type="checkbox"/> 89/686/EEC	

EN 60335-1; EN 60335-2-91; EN 786; EN 55014-1; EN 55014-2; EN 61000-3-2; EN 61000-3-3;  
 TÜV Rheinland Product Safety GmbH; KBV VI

Landau/Isar, den 08.10.2008

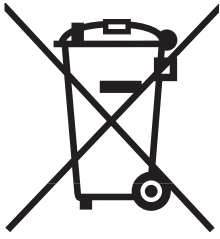
  
 Weichselgartner  
 General-Manager

  
 Tury Gao  
 Product-Management

Art.-Nr.: 34.014.47 I.-Nr.: 01018  
 Subject to change without notice

Archivierung: 3401445-13-4155050





Ⓒ For EU countries only

Never place any electric tools in your household refuse.

To comply with European Directive 2002/96/EC concerning old electric and electronic equipment and its implementation in national laws, old electric tools have to be separated from other waste and disposed of in an environment-friendly fashion, e.g. by taking to a recycling depot.

Recycling alternative to the demand to return electrical devices:

As an alternative to returning the electrical device, the owner is obliged to cooperate in ensuring that the device is properly recycled if ownership is relinquished. This can also be done by handing over the used device to a returns center, which will dispose of it in accordance with national commercial and industrial waste management legislation. This does not apply to the accessories and auxiliary equipment without any electrical components which are included with the used device.

Ⓒ Technical changes subject to change

©

The reprinting or reproduction by any other means, in whole or in part, of documentation and papers accompanying products is permitted only with the express consent of ISC GmbH.

**Einhell UK Ltd**  
Unit 5 Morpeth Wharf  
Twelve Quays  
Wirral CH 41 1LF  
Customer Helpline: 0044 (0) 151 649 1500

