



Einhell

BLUE

BT-MR 550 Metal Milling Machine

Art.-No. 42.530.02

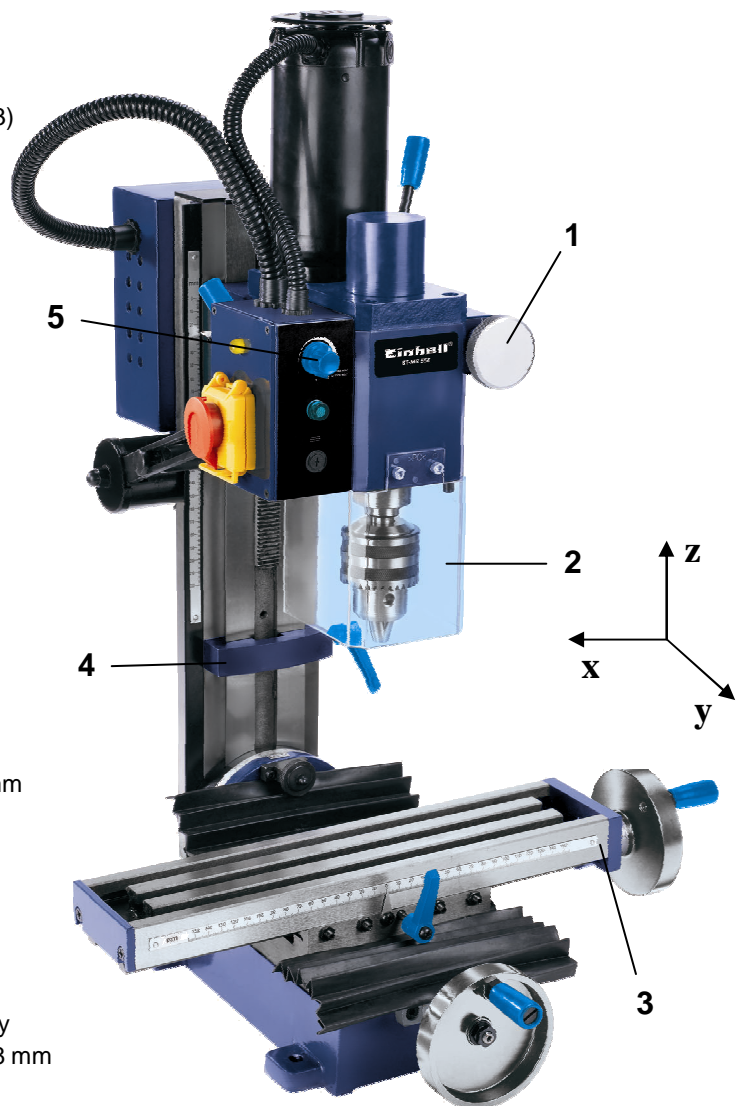
The precise milling machine is excellent qualified for handling with several materials like plastic and metal. The tools can be changed fast and easily, thus you can work exact and more efficient with the BT-MR 550. The spindle speed can be continuously regulated and enables an accurate adjustment to the working material. Due to the compact construction and the easy handling the BT-MR 550 is for all DIY excellent qualified.

Features

- Wheel selector for fine feed (1)
- Chip guard (2)
- Compound table with diagonal and length slide (3)
- Depth gauge (4)
- Electronic speed control (5)
- 2 speed areas (L/H)

Technical Data

- Voltage: 230 V ~ 50 Hz
- Spindle rotary speed: L (0-1,100 min⁻¹)
H (0-2,500 min⁻¹)
- Max. Output power: 550 W (S3 50%)
- Table size: 390 x 90 mm
- Max. table adjustment in y: 100 mm
- Max. table adjustment in x: 220 mm
- Max. spindle stroke z: 280 mm
- Angle adjustment l/r: -45° - +45°
- Gear ring drill chuck: 1.5 – 13 mm
- Morse conus inside spindle: MK 3
- Net weight: 50.0 kg
- Gross weight: 68.0 kg
- Packing dimension: 540 x 500 x 760 mm
- Bar code: 4006825 541540
- Sales unit: 1 pc



Standard accessories:

- Ring gear drill chuck 3-16 mm with drill chuck key
- 3 x open-ended spanner 36 mm; 17/14 mm; 10/8 mm
- Hook spanner
- Plastic oil tank
- Tie rod
- Locating pin for spindle locking
- 4 groove stones M8
- 4 screws and 4 screw nuts M8
- 7 allen keys 2/2.5/3/4/5/6/8 mm



Einhell

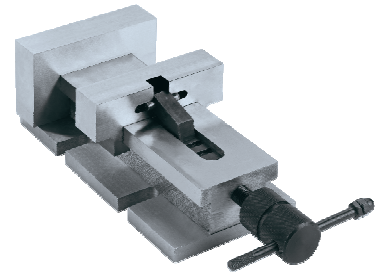
As special accessories available:

Machinery-vice with quick adjustment

Ideal for quick and safe fix-clamping of workpieces on the machinery board

Art.-No.: 42.530.20

Bar code: 4006825556827



Clamping pincers kit 9 pcs.

For safe retaining of pole-cutters
Ø 4; 6; 8; 10; 12; 14; 16 mm
Morse conus MK 3

Art.-No.: 42.530.21

Bar code: 4006825556834

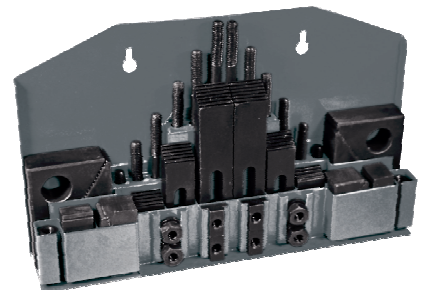


Clamping claws 42 pcs.

For safe fix-clamping of workpieces on the machinery board

Art.-No.: 42.530.22

Bar code: 4006825556841



Turn-insert-cutter

Diameter 30 mm
Morse conus MK 3

Art.-No.: 42.530.23

Bar code: 4006825556858



TCT-turn-inserts 2 pcs.

Applicable for turn-insert-cutter
Art.-No.: 42.530.23

Art.-No.: 42.530.24

Bar code: 4006825556865

