

**GARDENING MADE EASY**

**POWERBASE<sup>®</sup>**

# **Assembly and Operating Instructions**

## **40cm Petrol Push Lawnmower**

**WARNING! PLEASE READ THESE INSTRUCTIONS BEFORE  
OPERATING THIS UNIT**

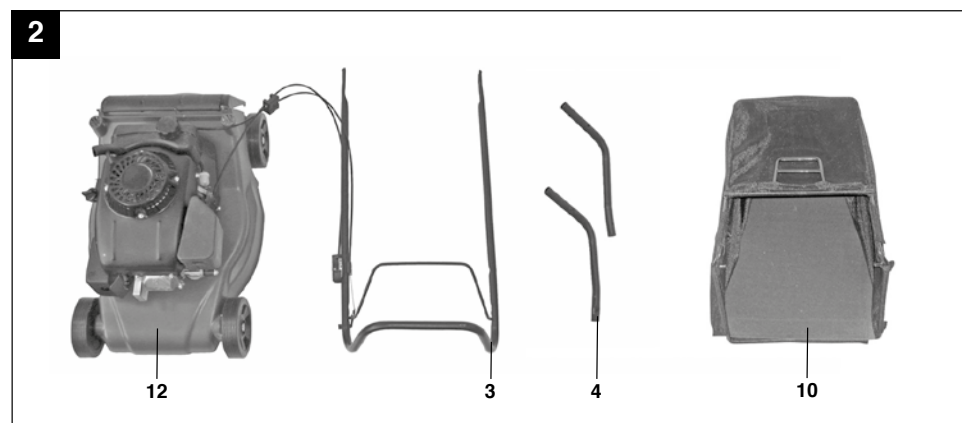
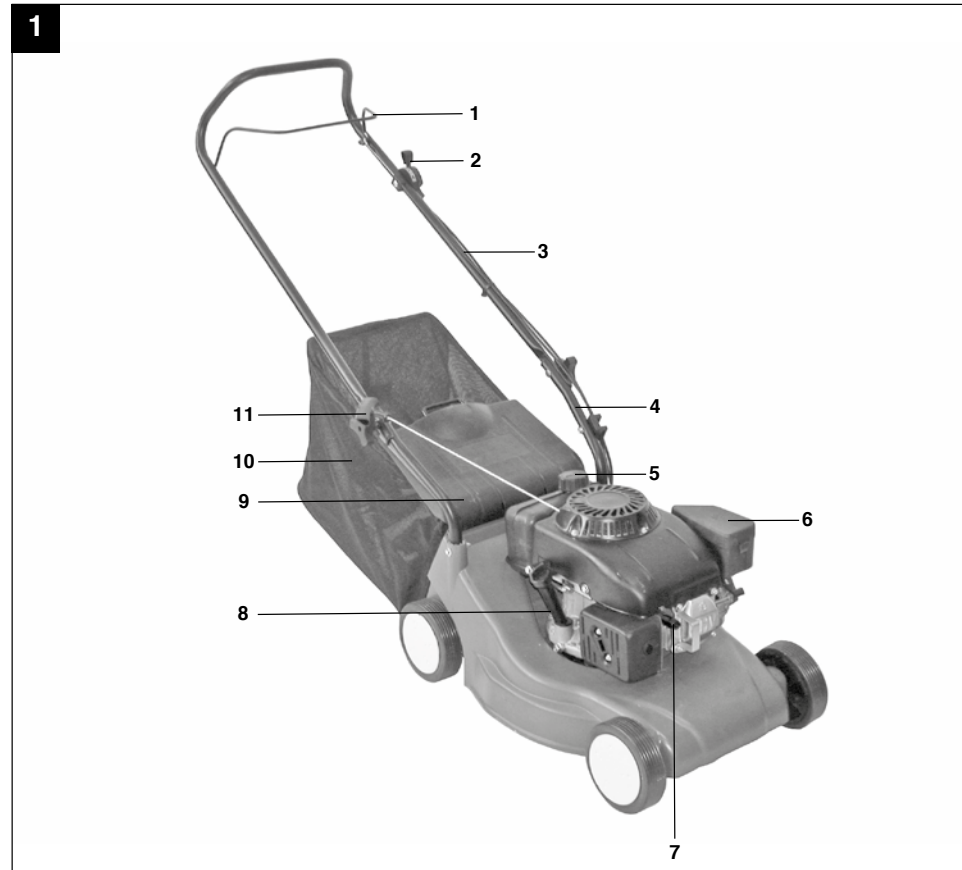
**KEEP THIS MANUAL FOR FUTURE REFERENCE**

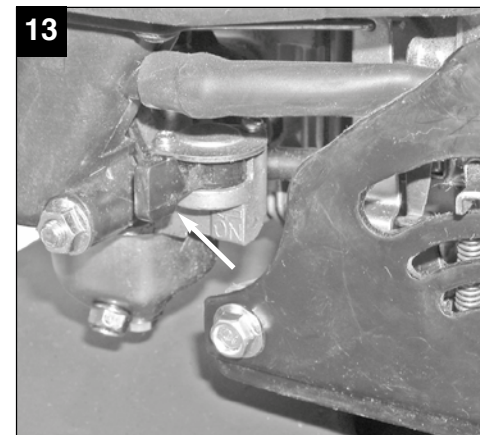
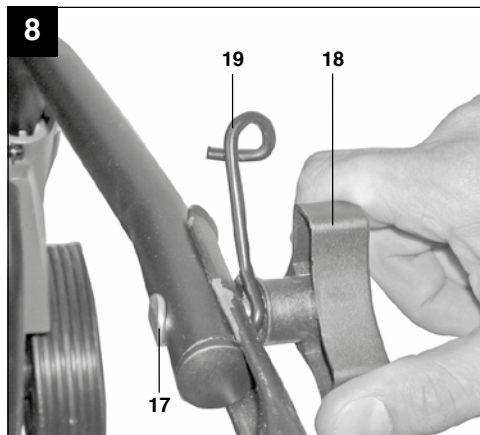
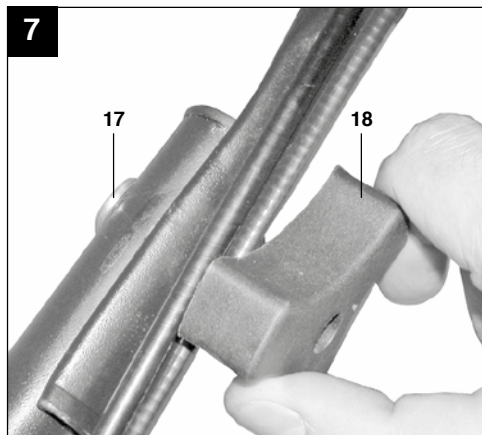
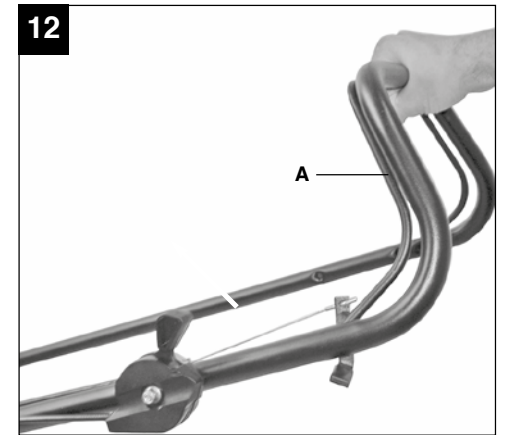
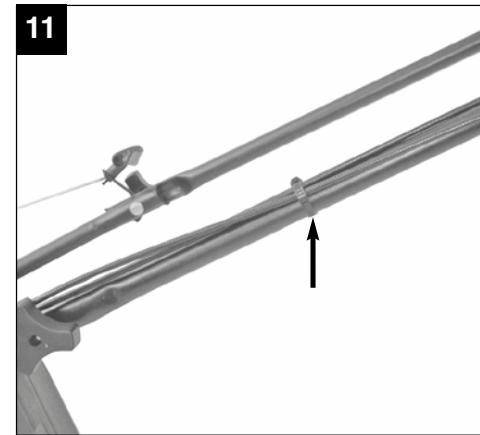
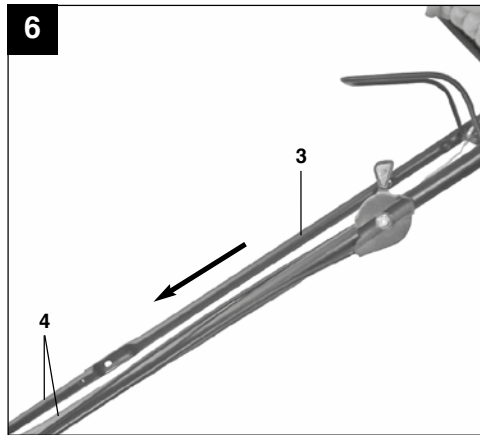
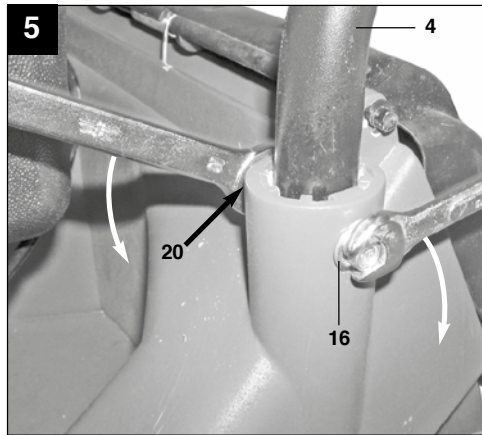
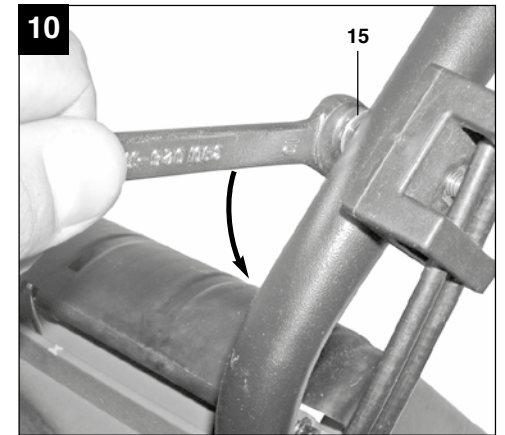
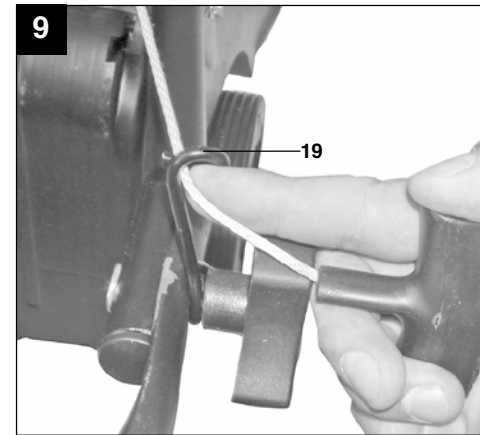
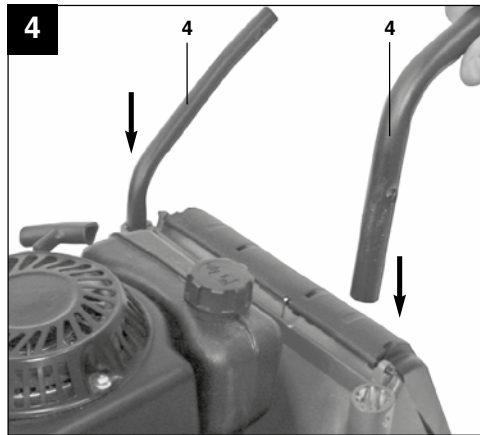
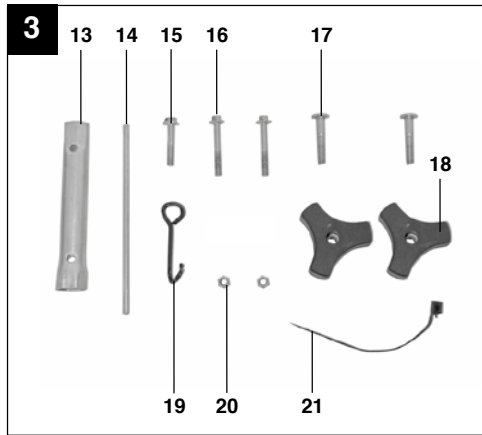


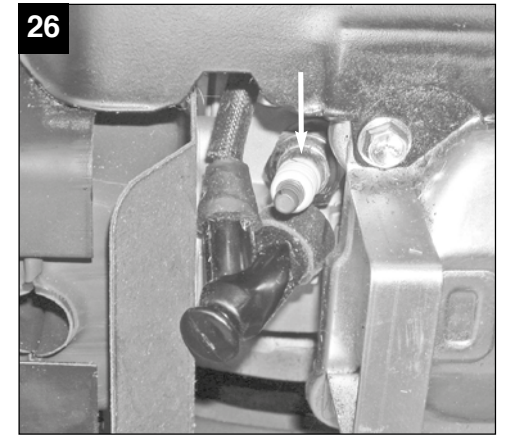
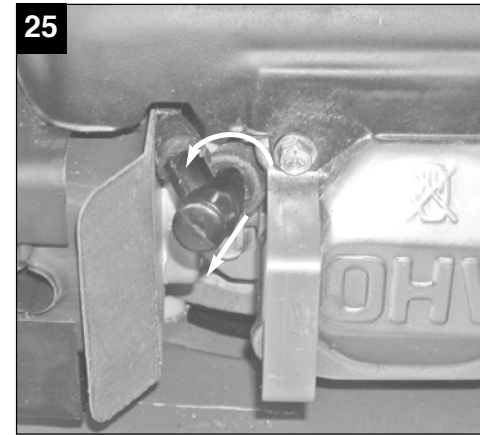
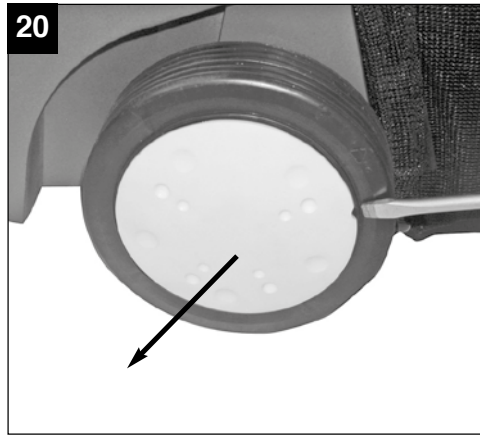
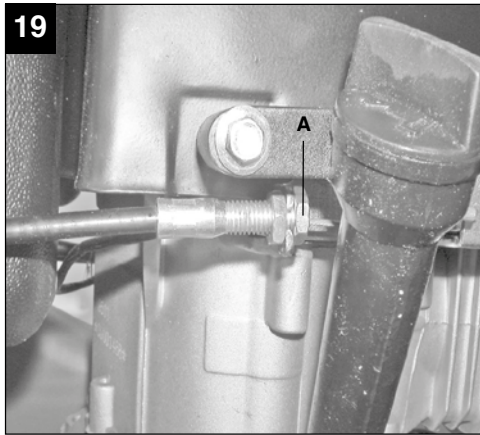
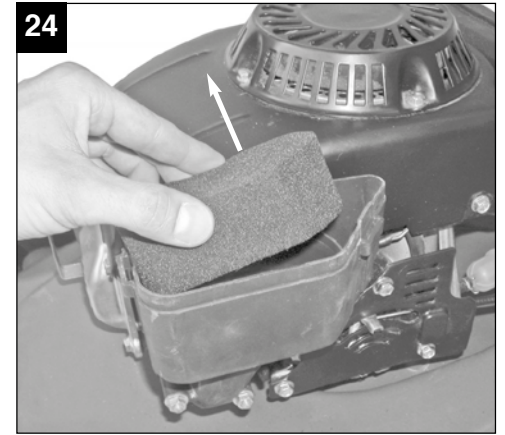
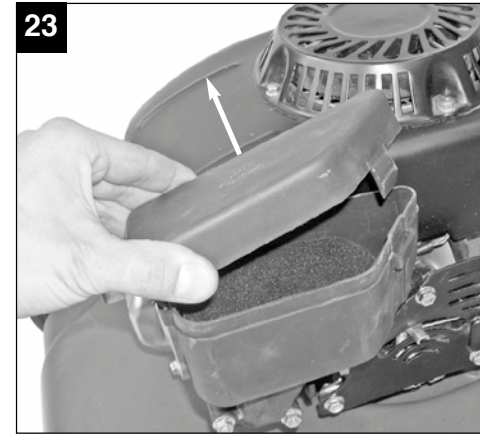
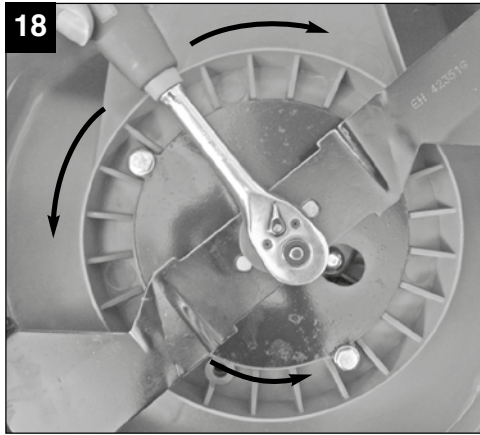
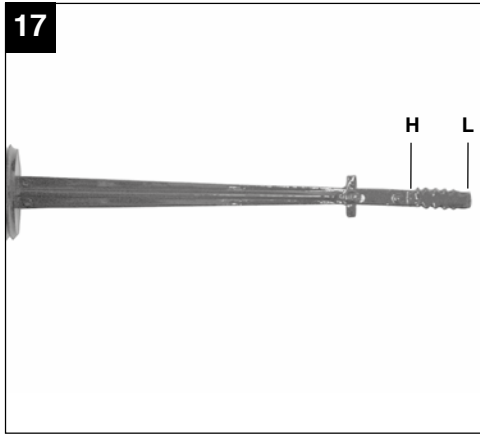
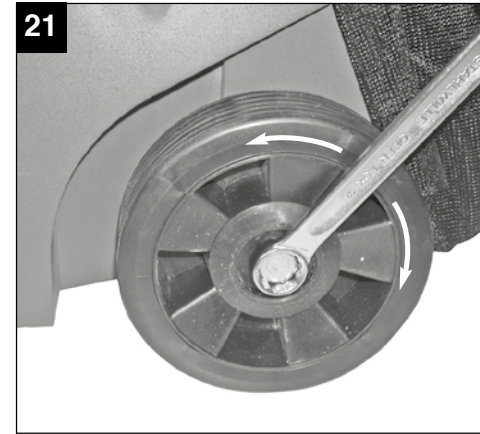
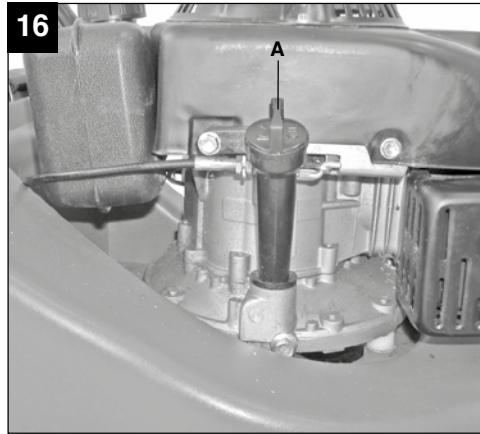
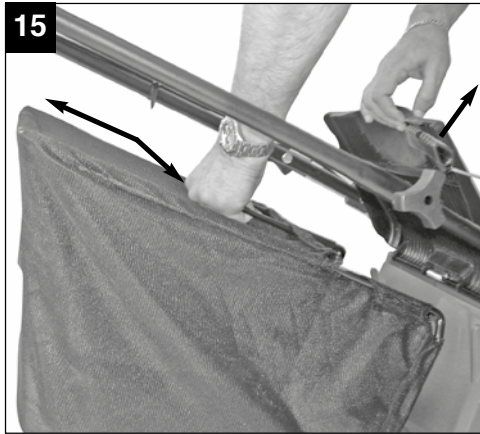
**990900**

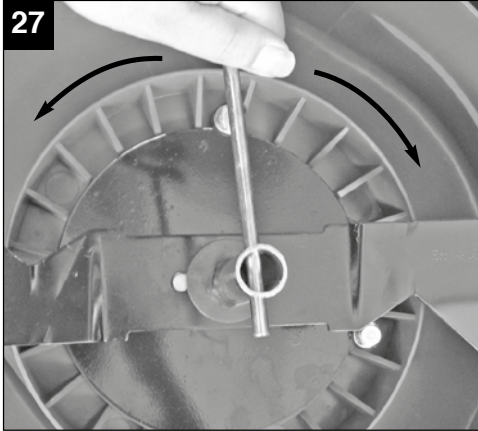


Ⓒ Read and follow the operating instructions and safety information before using for the first time.



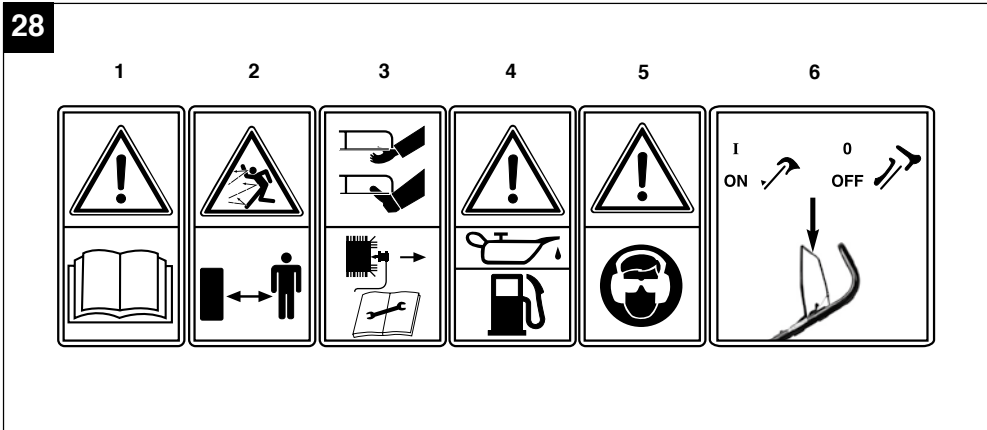






**Table of contents:**

1. Safety regulations
2. Layout
3. Intended use
4. Technical data
5. Before starting the equipment
6. Operation
7. Cleaning, maintenance, storage, transport and ordering of spare parts
8. Disposal and recycling
9. Troubleshooting guide



### **⚠ Important!**

When using the equipment, a few safety precautions must be observed to avoid injuries and damage. Please read the complete operating instructions and safety regulations with due care. Keep this manual in a safe place, so that the information is available at all times. If you give the equipment to any other person, hand over these operating instructions and safety regulations as well. We cannot accept any liability for damage or accidents which arise due to a failure to follow these instructions and the safety instructions.

## **1. Safety instructions for hand-operated lawn mowers**

### **Note**

1. Read the directions with due care. Familiarise yourself with the settings and proper operation of the machine.
2. Never allow children or other persons who are not familiar with the operating instructions to use the mower. Contact your local governmental agency for information regarding minimum age requirements for operating the mower.
3. Never mow in the direct vicinity of persons - especially children - or animals. Always keep in mind that the operator is responsible for accidents involving other persons and/or their property.
4. If you give the equipment to any other person, give them these operating instructions as well.

### **Preliminary measures**

1. Always wear sturdy, non-slip footwear and long trousers when mowing. Never mow barefoot or in sandals.
2. Check the grounds on which the machine will be used and remove all objects that could be caught up and violently flung out of the chute.
3. **Warning:** Petrol is highly flammable! Therefore:
  - Only store petrol in containers designed to hold petroleum-based liquids.
  - Only refuel out in the open and do not smoke during the refuelling process.
  - Always refuel the lawn mower *before* starting the engine. Always ensure that the fuel tank cap is closed when the engine is running and when the mower is hot; also do not refuel.
  - If petrol has overflowed, do not under any circumstances attempt to start the engine. Instead, remove the machine from the affected area. Avoid starting the engine until the petrol fumes have completely evaporated.

- For safety reasons, the petrol tank and other tank closures must be replaced if they are damaged.
4. Replace defective mufflers.
  5. Before using the mower, visually inspect it to ensure that the blade, mounting bolts and the entire cutting apparatus are in good working order (i.e. not worn out or damaged). To prevent any imbalance, replace worn out or damaged blades and mounting bolts as a set only (if applicable).

### **Handling**

1. Do not let the combustion engine run in enclosed areas, as dangerous carbon monoxide gas can build up.
2. Only mow in broad daylight or in well-lit conditions. Avoid using the machine on wet grass as far as possible.
3. Always maintain good footing on inclines.
4. Only operate the machine at a walking pace.
5. For machines with wheels: Always mow *across* hills i.e. never straight up or straight down.
6. Be particularly careful when you change direction on a slope.
7. Do not mow on overly steep inclines.
8. Always be extra careful when turning the mower around and when pulling it towards you.
9. Switch off the lawn mower and ensure that the blade has stopped rotating whenever the mower has to be tilted for transporting over areas other than lawns and whenever it has to be moved from or to the area you want to mow.
10. Never use the lawn mower if the blade or safety grilles are damaged, or without the attached guards, e.g. deflectors and/or grass catching devices.
11. Do not adjust or overclock the engine speed settings.
12. Release the engine brake before you start the engine.
13. Start the engine with care, in accordance with the manufacturer's instructions. Make sure that your feet are far enough away from the mower blade!
14. Do not tilt the lawn mower when you start the engine unless the mower must be raised off of the ground a little in order to start it. In the latter case, tilt the mower as little as absolutely necessary and only raise the side opposite to that of the user.
15. Never start the engine while standing in front of the chute.
16. Never move your hands or feet toward or under

- any rotating parts. Keep clear of the chute opening at all times.
17. Never lift or carry a lawn mower with the engine running.
  18. Switch off the engine and pull the spark plug boot:
    - before you dislodge any blockages or clogs in the chute.
    - before carrying out any checks, cleaning, maintenance or other work on the lawn mower
    - if the lawn mower strikes a foreign body, examine it for signs of damage and carry out any necessary repairs before restarting and continuing to work with the mower. If the lawn mower begins to experience exceptionally strong vibrations, immediately switch it off and check it.
  19. Switch off the engine:
    - when you leave the lawn mower.
    - before you refuel.
  20. When you switch off the engine, move the speed lever to the Off position. Close the petrol stopcock.
  21. Operation of the machine at higher than normal speed can lead to an increased risk of accidents.
  22. Take care when carrying out installation work on the machine, and avoid trapping fingers between the moving cutting tool and the fixed parts of the machine.

### **Maintenance and storage**

1. Make sure that all nuts, bolts and screws are tightened securely and that the machine is in safe working condition.
2. Never store the mower (with petrol in the tank) inside a building in which petrol fumes could come into contact with open flames or sparks.
3. Allow the motor to cool before you put the lawn mower in an enclosed area.
4. In order to avoid fire hazards, keep the engine, exhaust and the area around the fuel tank free from grass, leaves and leaking grease (oil).
5. Routinely check the grass basket for signs of wear and impaired functionality.
6. For your own safety, replace worn or damaged parts without delay.
7. If the fuel tank should require emptying this should only be done in the open air using a petrol suction pump (available from DIY shops).

### **⚠ CAUTION!**

**Read all safety regulations and instructions.** Any errors made in following the safety regulations and instructions may result in an electric shock, fire and/or serious injury.

**Keep all safety regulations and instructions in a safe place for future use.**

### **Explanation of the symbols on the machine (fig. 28):**

- 1) Read the operating instructions
- 2) Important! Danger from catapulted parts. Keep a safe distance.
- 3) Important! Switch off the engine and pull the spark plug boot before doing any maintenance, repair, cleaning or adjustment work.
- 4) Fill with oil and fuel before starting the mower.
- 5) Caution! Wear ear protection and safety goggles.
- 6) Engine start/stop lever  
(I=Engine on; 0=Engine off)

## **2. Layout (Fig. 1-3)**

1. Engine start/stop lever (engine brake)
2. Control lever for engine adjustment (throttle lever)
3. Upper push bar
4. Lower push bar
5. Petrol tank
6. Air filter
7. Spark plug
8. Oil dipstick
9. Flap for the grass basket
10. Grass basket
11. Starter cord
12. Lawn mower with engine
13. Spark plug wrench
14. Bolts for spark plug wrench
15. Screw for cable holder
16. 2x screws for installing the lower push bar
17. 2x screws for installing the upper push bar
18. 2x star nuts
19. Metal bracket for hooking on the starter cord
20. 2x nuts
21. 1x cable tie

## **3. Proper operation**

The petrol lawn mower is intended for private use i.e. for use in home and gardening environments.

Private use of the lawn mower refers to an annual operating time generally not exceeding that of 50 hours, during which time the machine is primarily used to maintain small-scale, residential lawns and home/hobby gardens. Public facilities, sporting halls, and agricultural/forestry applications are excluded.

The operating instructions as supplied by the manufacturer must be kept and referred to in order to ensure that the lawn mower is properly used and maintained. The instructions contain valuable information on operating, maintenance and servicing conditions.

**Important!** Due to the high risk of bodily injury to the user, the lawn mower may not be used to trim bushes, hedges or shrubs, to cut scaling vegetation, planted roofs, or balcony-grown grass, to clean (suck up) dirt and debris off walkways, or to chop up tree or hedge clippings. Moreover, the lawn mower may not be used as a power cultivator to level out high areas such as molehills.

For safety reasons, the lawn mower may not be used as a drive unit for other work tools or toolkits of any kind.

## 4. Technical data

### BPBM 40P

Engine type:

Single cylinder four-stroke engine, 118 ccm

Engine power: 2.6 kW/3,5 HP

Working speed: 2800 min<sup>-1</sup>

Fuel: standard petrol

Tank capacity: approx. 1.3 l

Engine oil: approx. 0.4 l / 15W40

Spark plug: FG RTC

Electrode spacing: 0.6 mm

Cutting height adjustment: decentral, (32/46/62 mm)

Cutting width: 400 mm

L<sub>pA</sub> sound pressure level: 75 dB(A)

L<sub>WA</sub> sound power level: 96 dB(A)

Vibration a<sub>hw</sub>: 5.73 m/s<sup>2</sup>

Weight: 24 kg

## 5. Before starting the equipment

### 5.1 Assembling the components

Some parts of the mower come disassembled. For quick and easy assembly, read and follow the instructions below.

**Important!** You will need the following additional tools (not supplied) for assembly, and also for maintenance work:

- An open-ended wrench (10 mm)
- A ring wrench (17 mm)
- A ratchet, extension, size 13 socket
- An open-ended wrench (13 mm)
- A flat oil drip tray (for changing the oil)
- A 1 litre measuring jug (oil/petrol resistant)
- A petrol can (5 litres is sufficient for approx. 6 operating hours)
- A funnel (suitable for the tank's petrol filler neck)
- Household wipes (to wipe up oil/petrol residue; dispose of these at a filling station)
- A petrol suction pump (plastic, available from DIY stores)
- An oil can with hand pump (available from DIY stores)
- 1 litre of engine oil (15W-40)

### Assembling the lawn mower

1. Take the mower and attachment parts out of the packaging and check that all parts are present (Fig. 2-3).
2. Fasten the lower push bar to the mounts on the mower housing (Fig. 4-5).
3. Now screw the upper push bar to the lower push bar (Fig. 6-8). Pull the cords over the star nut so that they do not get kinked when the push bar is swung down (Fig. 7) and make sure that the starter cord guide (Fig. 8/Item 19) on the right faces inwards.
4. Then hook the starter cord in the starter cord guide (Fig. 9).
5. Fasten the cord holder to the lower push bar (Fig. 10).
6. Secure the cords to the upper push bar with the supplied cable tie (Fig. 11).
7. Hook the grass basket into the mounts on the mower (Fig. 15).

## 5.2 Setting the cutting height

**Important! Adjust the cutting height only when the engine is switched off and the plug boot has been pulled.**

- Before you begin to mow, check to ensure that the blade is not blunt and that none of the fasteners are damaged. To prevent any imbalance, replace blunt and/or damaged blades as a set only (if applicable). To carry out this check, first switch off the engine and pull the spark plug boot.
- The cutting height is not adjusted at a single central point – instead, each of the 4 wheels have to be adjusted separately. Three different cutting heights are available. (As-delivered state: Medium cutting height)  
**Caution:** All 4 wheels have to be set to the same cutting height.

1. Lever out the wheel cap from the wheel by applying a screwdriver in the opening provided (Fig. 20)
2. Open the wheel bolt (Fig. 21).  
**Important:** The wheel bolts have a right-handed thread on the right-hand side and a left-handed thread on the left-hand side.  
**Important:** There is a metal washer between the wheel and the mower housing. Make sure that you fit this washer back in place between the wheel and the housing during reassembly. We recommend that you first change both wheels on one side followed by both wheels on the other side.
3. Remove the wheel and screw it back on tightly in the desired position (Fig. 22)  
Position 1: Low cutting height  
Position 2: Medium cutting height (As-delivered state (sufficient for normal use)).  
Position 3: High cutting height
4. Fit the wheel cap back on again and follow the same procedures to adjust the other 3 wheels to the same height and position.

## 6. Operation

**Important!**

**The engine does not come with oil in it. Therefore, ensure that you add 0.4 litres of oil before starting it up. Use normal, multigrade oil (15W40). The oil level in the engine must be checked each time before mowing. (see Checking the oil level).**

In order to avoid any unintentional start-ups of the lawn mower, it comes equipped with an engine brake (Fig. 12/Item A) which must be pulled back before the engine can be started. When the engine control lever is released it must return to its initial position, at which point the engine automatically switches off.

Before you start the lawn mower, open the petrol cock (Fig. 13, arrow = petrol cock open). Move the speed lever (Fig. 14) to position "N". Press the engine brake lever (Fig. 12/Pos. A) together and give the starter cord a vigorous pull. You can control the rotation speed of the blade using the speed lever (Fig. 14).

Before you start mowing, you should run through this operation several times in order to ensure that the machine is working properly. Whenever you need to perform any kind of adjustment and/or repair work on your lawn mower, wait until the blade has come to a complete stop.

Always switch off the engine before carrying out any adjustments, maintenance or repairs.

**Note:**

1. Engine brake (Fig. 12/Item A): Use the lever to stop the engine. When you release the lever the engine and the blade stop automatically (Fig. 12/Pos. A). To mow, hold the lever in the working position. Before you start to mow, check the start/stop lever several times to be sure that it is working properly. Ensure that the tension cable can be smoothly operated (i.e. is not catching or kinking in any way).
2. Speed lever (Fig. 14): Move this lever in order to increase or decrease the engine speed. (Tortoise = Slow / Hare = Fast)
3. **Caution:** The blade begins to rotate as soon as the engine is started.

**Important:**

Before you start the engine, move the motor brake several times to be sure that the stop cable is properly working. **Note:** The engine is factory set to a speed that is optimal for cutting and blowing grass into the basket and is designed to provide many years of use.

4. Check the oil level.
  5. Fill the tank with approx. 1.1 litres of petrol whenever empty, using a funnel and measuring jug to do so. Ensure that the petrol is free of any contaminants.
- Note:** Use only unleaded petrol as fuel.
- Warning:** Never use more than one safety petrol can. Do not smoke when refuelling. Switch off the engine before refuelling and allow the engine to cool down for a few minutes.
6. Ensure that the ignition cable is connected to the spark plug.
  7. Move the speed lever to position "N".
  8. Stand behind the mower. Place one hand on the engine start/stop lever. Place the other hand on the starter handle.
  9. Start the engine using the reversing starter (Fig.1/Item 11). To do this pull the handle approx. 10 – 15 cm (until you feel a resistance) and then start the engine with a sharp pull. If the engine does not start, pull the handle again.
- Important!** Never allow the starter cord to snap back.
- Note:** In cold weather, it may be necessary to repeat the starting process several times.
10. When the engine is at working temperature it can be started in the "Tortoise" setting.
- Important:** Attempting to start the engine when set at position "N" may cause the spark plug to become wet if the engine is at working temperature. Wait a few minutes before attempting to start the engine again.

**6.1 Before mowing****Important information**

1. Make sure that you are properly dressed when mowing. Wear sturdy, non-slip footwear; do not wear sandals or tennis shoes.
2. Inspect the blade. A blade that is bent or damaged in any other way must be immediately exchanged for a genuine Einhell replacement blade.
3. Do not fill the fuel tank indoors, but rather out in the open. Use a filling funnel and a measuring jug. Wipe off any spilled petrol.
4. Read and follow in the instructions in the operating manual as well as the information regarding the engine and accessory equipment.

- Store the manual in a place where it can be readily accessed by other users of the machine.
5. Exhaust gas is dangerous. Only start the engine out in the open.
  6. Make sure that all the guards are fitted and that they are in good working order.
  7. The machine should only be operated by persons who are well informed with the way it works, and who are in reasonably good physical condition.
  8. It can be dangerous to mow the grass when it is wet. Try to ensure that you only mow the grass when it is dry.
  9. Advise children and others to keep well away from the lawn mower.
  10. Never mow the grass in poor visibility.
  11. Remove all loose objects from the lawn before you start mowing the grass.

**6.2 Tips for proper mowing**

**Important! Never open the chute flap when the catch bag has been detached (to be emptied) and the engine is still running. The rotating blade can cause serious injuries!**

Always carefully fasten the chute flap and grass basket. Switch off the engine before emptying the grass basket.

Always ensure that a safe distance (provided by the length of the long handles) is maintained between the user and the mower housing. Be especially careful when mowing and changing direction on slopes and inclines. Maintain a solid footing and wear sturdy, non-slip footwear and long trousers. Always mow along the incline (not up and down).

For safety reasons, the lawn mower may not be used to mow inclines whose gradient exceeds 15 degrees.

Use special caution when backing up and pulling the lawn mower. Tripping hazard!

**6.3 Mowing**

Only use a sharp blade that is in good condition. This will prevent the grass blades from fraying and the lawn from turning yellow.

Try to mow in straight lines for a nice, clean look. Insodoing, the mowing swaths should always overlap each other by a few centimetres in order to avoid bare strips.

Keep the underside of the mower housing clean and remove grass build-up. Deposits not only make it

more difficult to start the mower; they decrease the quality of the cut and make it harder for the machine to bag the grass. Always mow along inclines (not up and down). Slightly turning the front wheels up the hill while mowing will prevent the mower from sliding out of the straight line. Select the cutting height according to the length of the grass. If the lawn has grown quite a bit, mow over it several times so that no more than 4 cm of grass are cut at one time.

Switch off the engine before doing any checks on the blade. Keep in mind that the blade continues to rotate for a few seconds after the engine has been switched off. Never attempt to manually stop the blade.

Regularly check to see if the blade is securely attached, is in good condition and is sharp. If the contrary is the case, sharpen the blade or replace it. In the event that the blade strikes an object, immediately switch off the lawn mower and wait for the blade to come to a complete stop. Then inspect the condition of the blade and the blade mount. Replace any parts that are damaged.

**Tips for proper mowing:**

1. Pay attention to ensure that you do not run into or over anything that could damage the mower. The lawn mower could be damaged and/or the machine could inflict bodily injury.
2. A hot engine, exhaust or drive unit can burn the skin if touched. Thus, do not touch these parts unless the mower has been switched off for a while and you know that they have cooled down!
3. Use extra caution when mowing on inclines and steep grades.
4. Insufficient daylight or even a sufficient level of artificial light is one reason not to mow.
5. Check the mower, the blade and other parts if they have struck a foreign object or if the machine vibrates more than usual.
6. Do not make any adjustments or repairs until the engine has been switched off. Pull the plug boot.
7. Pay special attention if you are mowing directly next to a street or are close by one (traffic). Always keep the grass chute pointed away from the street.
8. Avoid mowing in places where the wheels have trouble gripping or mowing is unsafe in any other way. Before you back up, ensure that nobody is standing behind you (especially little children, who are more difficult to see).
9. When mowing over thick, high grass, select the highest cutting level and mow at a slower speed. Before you remove any grass or blockages of any kind, switch off the engine and pull the plug boot.

10. Never remove any safety-related parts.
11. Never fill the engine with petrol when it is hot or is running.

**6.4 Emptying the grass basket**

As soon as grass clippings start to trail the lawn mower, it is time to empty the grass basket.

**Important! Before taking off the grass basket, switch off the engine and wait until the blade has come to a stop.**

To take off the grass basket, use one hand to lift up the chute flap and the other to grab onto the basket handle (Fig. 15). Remove the basket. For safety reasons, the chute flap automatically falls down after removing the grass basket and closes off the rear chute opening. If any grass remains in the opening, it will be easier to restart the engine if you pull the mower back approx. 1 metre.

Do not use your hands or feet to remove clippings in or on the mower housing, but instead use suitable tools such as a brush or a hand broom.

In order to ensure that the majority of grass clippings are picked up, the inside of both the catch bag and especially the air grill must be cleaned after each use.

Reattach the catch bag only when the engine is switched off and the blade is stopped.

Using one hand, lift up the chute flap, while grabbing onto the basket handle with the other. Hang in the basket from the top.

**6.5 After mowing**

1. Allow the engine to cool before you put the lawn mower in an enclosed area.
2. Remove grass, foliage, grease and oil before storing the mower. Do not place any objects on top of the mower.
3. Check all the screws and nuts once more before you start to use the lawn mower again. Tighten any loose screws.
4. Also be sure to empty the grass basket.
5. Pull the spark plug boot to prevent unauthorised use.
6. Ensure that you do not park the mower next to any source of danger. Petrol fumes can lead to explosions.
7. Only original parts or parts approved by the manufacturer may be used for repairs (see address on the warranty certificate).
8. If the lawn mower is not going to be used for an



extended period, empty the petrol tank using a petrol suction pump.

9. Tell your children not to use the mower. It is not a toy.
10. Never place petrol near an ignition source. Always use a can that is approved to store petrol. Keep petrol away from children.
11. Oil and maintain the machine.
12. How to switch off the engine:

**All you have to do to switch off the engine is release the engine start/stop lever (Fig. 12/Item A).** Close the petrol cock and pull the spark plug boot from the spark plug boot in order to prevent the engine from restarting. Before you start the engine again, check the cord for the engine brake. Check that the cord is correctly fitted. If the cord is kinked or damaged, it should be replaced.

## 7. Cleaning, maintenance, storage, transport and ordering of spare parts

### Important:

Never work on or touch conducting parts on the ignition unit with the engine running. Always pull the spark plug boot from the spark plug before starting any work of care or maintenance. Never perform any work on the machine while it is running. Any work not described in these Operating Instructions must be performed by an authorised service workshop only.

### 7.1 Cleaning

The lawn mower should be thoroughly cleaned after every use, especially the underneath and the blade mount. To do so, tip the lawn mower onto its left side (the opposite side to the oil filling socket).

**Important:** Before you tip the lawn mower onto its side, completely empty the fuel tank using a petrol suction pump. The lawn mower must never be tilted by more than 90 degrees. Dirt and grass is easiest to remove immediately after you have finished mowing the grass. Dried on grass and dirt can result in poorer mowing performance. Check that the grass chute is free of any residual grass. Remove any such residue. Never clean the lawn mower with a water jet or high-pressure cleaner. The engine must remain dry. Do not use aggressive cleaning agents such as cold cleaner or petroleum ether.

### 7.2 Maintenance

#### 7.2.1 Wheel axles and wheel hubs

These should be lightly greased once a season. To do so, remove the wheel caps with a screwdriver and

slacken the fastening screws on the wheels.

#### 7.2.2 Blade

For safety reasons you should only ever have your blade sharpened, balanced and mounted by an authorised service workshop. For optimum results it is recommended that the blade should be inspected once a year.

#### Changing the blade (Fig. 27)

Only ever use original spare parts when having the blade replaced. The marking on the blade must be matched with the number given in the list of spare parts. Never have any other model of blade fitted.

#### Damaged blades

Should the blade, in spite of all precautions, come into contact with an obstruction, shut down the engine immediately and pull the spark plug boot. Tip the lawn mower onto its side and check the blade for damage. Damaged or bent blades must be replaced. Never attempt to bend a bent blade back to straight again. Never mow the lawn with a bent or heavily worn blade as this will cause vibrations and can lead to further damage to the lawn mower.

**Important:** There is a risk of injury if you work with a damaged blade.

#### Resharpener the blade

The blades can be resharpened with a metal file. In order to avoid imbalance, the blade should be resharpened by an authorised service workshop.

#### 7.2.3 Checking the oil level

**Important:** Never run the engine with no or too little oil. This could cause severe damage to the engine. Use only 15W40 engine oil.

#### Checking the oil level:

Stand the lawn mower on a flat level surface. Unscrew the oil dip stick (Abb. 16/Pos. A) by turning anticlockwise, pull out and wipe. Insert the dip stick back in the filling mount as far as the stop, but do not screw back in. Pull out the dip stick again and read off the oil level while holding horizontally. The oil level must be between the maximum (Fig. 17/Item H) and the minimum (Fig. 17/Item L). The moveable orange plastic part on the oil dip stick provides protection against oil foam.

#### Changing the oil

Change the engine oil every year before the start of the season (in addition to the information in the petrol service manual) when the engine is warm.

- Use only engine oil (15W40).

- Place a flat oil drip tray beneath the mower.
- Open the oil filler screw (Fig. 16/Item A).
- Open the oil drainage screw (18). Drain the warm engine oil into a drip tray.
- Close the drain screw again when all the used oil has been drained.
- Fill up with engine oil as far as the top mark on the dipstick (Approx. 0.4L).
- Important! Do not screw in the oil dipstick to check the oil level – only insert it as far as the thread.
- Dispose of the used oil in accordance with applicable regulations.

#### 7.2.4 Care and adjustment of the cables

Oil the cables at regular intervals and check that they move easily.

#### 7.2.5 Maintenance of the air filter (Fig. 23-24)

A soiled air filter will reduce the performance of the engine because it will prevent enough air getting to the carburettor. It is therefore imperative that regular checks are made. The air filter should be checked every 25 hours and cleaned if required. If the air is very dusty the air filter should be checked more regularly.

**Important:** Never clean the air filter with petrol or inflammable cleaning agents. Clean the air filter with compressed air or simply by knocking out any soiling.

#### 7.2.6 Maintenance of the spark plug

Check the spark plug for dirt and grime after 10 hours of operation and if necessary clean it with a copper wire brush. Thereafter service the spark plug after every 50 hours of operation.

- Pull off the spark plug boot (Fig. 25) with a twist.
- Remove the spark plug with the supplied spark plug wrench.
- Assemble in reverse order.

#### 7.2.7 Repairs

After any repair or maintenance work, check that all safety-related parts are in place and in proper working order.

All parts which may cause injury must be kept where they are inaccessible to children or others.

**Important:** In accordance with product liability legislation we are not liable for any damages caused by improper repairs or the use of spare parts that are not original spare parts or parts approved by us. In addition, we are also not liable for any damages arising from improper repairs. Such work should be performed by a customer services workshop or authorised specialist. The same applies to accessory parts.

#### 7.2.8 Times of use

Lawn mowers are only permitted to be used on workdays between the hours of 7.00 a.m. and 7.00 p.m. Please comply with statutory regulations, which may vary from location to location.

#### 7.3 Preparing the mower for long-term storage

**Caution:** Do not empty the petrol tank in enclosed areas, near fire or when smoking. Petrol fumes can cause explosions and fire.

1. Empty the petrol tank with a petrol suction pump.
2. Start the engine and let it run until any remaining petrol has been used up.
3. Change the oil at the end of every season. To do so, remove the used engine oil from a warm engine and refill with fresh oil.
4. Remove the spark plug from the cylinder head. Fill the cylinder with approx. 20 ml of oil from an oil can. Slowly pull back the starter handle, which will bathe the cylinder wall with oil. Screw the spark plug back in.
5. Clean the cooling fins of the cylinder and the housing.
6. Be sure to clean the entire machine to protect the paint.
7. Store the machine in a well-ventilated place.

#### 7.4 Preparing the mower for transportation

1. Empty the petrol tank (see item 7.3.1).
2. Always let the engine run until it has used up the remainder of petrol in the tank.
3. Empty the engine oil from the warm engine.
4. Remove the spark plug boot from the spark plug.
5. Clean the cooling fins of the cylinder and the housing.
6. Remove the start tension cable from the hook (Fig. 1/Pos. 11). Slacken the wing nuts and fold down the upper push bar.
7. Wedge a few layers of corrugated cardboard between the upper and lower push bars and the engine in order to prevent any chafing.

#### 7.5 Ordering replacement parts

Please quote the following data when ordering replacement parts:

- Type of machine
  - Article number of the machine
  - Identification number of the machine
  - Replacement part number of the part required
- For our latest prices and information please go to [www.isc-gmbh.info](http://www.isc-gmbh.info)

## 8. Disposal and recycling

The unit is supplied in packaging to prevent it being damaged in transit. This packaging is raw material and can therefore be reused or can be returned to the raw material system.

The unit and its accessories are made of various types of material, such as metal and plastic.

Defective components must be disposed of as special waste. Ask your dealer or your local council.

## 9. Faults and remedies for faults

**Caution:** Always switch off the engine and pull the ignition cable before starting any inspection or adjustment work.

**Caution:** If, after making an adjustment or repair to the engine, you let it run for a few minutes, remember that the exhaust and other parts will get hot. Thus, do not touch parts that emanate heat, as these may burn you.

Fault	Possible cause	Remedy
Loud while running, machine vibrates heavily	<ul style="list-style-type: none"><li>- Screws are loose</li><li>- Blade fasteners are loose</li><li>- Blade is unbalanced</li></ul>	<ul style="list-style-type: none"><li>- Check screws</li><li>- Check blade fasteners</li><li>- Replace blade</li></ul>
Engine does not start	<ul style="list-style-type: none"><li>- Brake lever not pressed</li><li>- Speed lever in wrong position</li><li>- Spark plug is defective</li><li>- Fuel tank is empty</li><li>- Petrol stop cock is closed</li></ul>	<ul style="list-style-type: none"><li>- Press brake lever</li><li>- Check setting</li><li>- Replace spark plug</li><li>- Refill with fuel</li><li>- Open petrol stop cock</li></ul>
Engine runs unsteadily	<ul style="list-style-type: none"><li>- Air filter is soiled</li><li>- Spark plug is soiled</li></ul>	<ul style="list-style-type: none"><li>- Clean the air filter</li><li>- Clean the spark plug</li></ul>
Uneven mowing results	<ul style="list-style-type: none"><li>- Blade is blunt</li><li>- Cutting height is too low</li><li>- Engine speed is too low</li></ul>	<ul style="list-style-type: none"><li>- Sharpen the blade</li><li>- Set correct height</li><li>- Set lever to max.</li></ul>
Unsatisfactory bagging of the grass	<ul style="list-style-type: none"><li>- Engine speed is too low</li><li>- Cutting height is too low</li><li>- Blade is worn</li><li>- Basket is clogged</li></ul>	<ul style="list-style-type: none"><li>- Set speed lever to max</li><li>- Set correct height</li><li>- Replace the blade</li><li>- Empty the basket</li></ul>



**Declaration of Conformity**

- |  |   |
|--|---|
| <p><input type="checkbox"/> erklart folgende Konformitat gema EU-Richtlinie und Normen fur Artikel</p> <p><input type="checkbox"/> explains the following conformity according to EU directives and norms for the following product</p> <p><input type="checkbox"/> dclare la conformite suivante selon la directive CE et les normes concernant l'article</p> <p><input type="checkbox"/> dichiara la seguente conformita secondo la direttiva UE e le norme per l'articolo</p> <p><input type="checkbox"/> verklaart de volgende overeenstemming conform EU richtlijn en normen voor het product</p> <p><input type="checkbox"/> declara la siguiente conformidad a tenor de la directiva y normas de la UE para el artculo</p> <p><input type="checkbox"/> declara a seguinte conformidade, de acordo com a directiva CE e normas para o artigo</p> <p><input type="checkbox"/> attererer flgende overensstemmelse i medfr af EU-direktiv samt standarder for artikel</p> <p><input type="checkbox"/> frklarar fljande verensstammelse enl. EU-direktiv och standarder fr artikeln</p> <p><input type="checkbox"/> vakuuttaa, ett tuote taytta EU-direktiivin ja standardien vaatimukset</p> <p><input type="checkbox"/> tendab toote vastavust EL direktivile ja standarditele</p> <p><input type="checkbox"/> vydva nsledujc prohlsen o shod podle smrnice EU a norem pro vrobek</p> <p><input type="checkbox"/> potrjuje sledeo skladnost s smernico EU in standardi za izdelek</p> <p><input type="checkbox"/> vydva nasledujce prehlsenie o zhode podl'a smernice EU a noriem pre vrobok</p> <p><input type="checkbox"/> a cikkekhez az EU-irnyvonal s Normk szerint a kvetkez konformitst jelenti ki</p> | <p><input type="checkbox"/> deklaruje zgodnost wymienionego ponizej artykuu z nastpujcymi normami na podstawie dyrektywy WE.</p> <p><input type="checkbox"/> декларира съответното съответствие съгласно Директива на ЕС и норми за артикул</p> <p><input type="checkbox"/> paskaidro šadu atbilstību ES direktīvai un standartiem</p> <p><input type="checkbox"/> apibūdzina š atitikim EU reikalavimams ir preks normoms</p> <p><input type="checkbox"/> declar urmtoarea conformitate conform directivei UE și normelor pentru articolul</p> <p><input type="checkbox"/> δηλώνει την ακλουθη συμμρφωση σύμφωνα με την Οδηγία ΕΚ και τα πρτυπα για το προϊόν</p> <p><input type="checkbox"/> potrduje sljedeu uskladenost prema smjernicama EU i normama za artikl</p> <p><input type="checkbox"/> potrduje sljedeu uskladenost prema smjernicama EU i normama za artikl</p> <p><input type="checkbox"/> potrduje sledeu uskladenost prema smernicama EZ i normama za artikal</p> <p><input type="checkbox"/> следующим удостоверяется, что следующие продукты соответствуют директивам и нормам ЕС</p> <p><input type="checkbox"/> проголошує про зазначену нижче вповіднсть виробу директивам та стандартам ЄС на вирб</p> <p><input type="checkbox"/> ja izjvava slednata soobraznost soglasno EU-direktivata i normite za artikli</p> <p><input type="checkbox"/> rn ille ilgill AB direktiveri ve normlari gereince aaida aıklanan uygunluu belirtir</p> <p><input type="checkbox"/> erklrer flgende samsvar i henhold til EU-direktivet og standarder for artikkel</p> <p><input type="checkbox"/> Lsir uppfyllingu EU-reglna og annarra stala vru</p> |
|--|---|

**Petrol Lawn Mower PBPM 40P**

- |   |  |
|---|--|
| <input type="checkbox"/> 2006/95/EC             | <input checked="" type="checkbox"/> 2006/42/EC   |
| <input type="checkbox"/> 2006/28/EC             | <input checked="" type="checkbox"/> 98/37/EC   |
| <input type="checkbox"/> 2005/32/EC             | <input type="checkbox"/> Annex IV<br>Notified Body:<br>Notified Body No.:<br>Reg. No.:   |
| <input checked="" type="checkbox"/> 2004/108/EC | <input checked="" type="checkbox"/> 2000/14/EC_2005/88/EC  |
| <input type="checkbox"/> 2004/22/EC             | <input type="checkbox"/> Annex V   |
| <input type="checkbox"/> 1999/5/EC              | <input checked="" type="checkbox"/> Annex VI<br>Noise: measured L <sub>WA</sub> = 94 dB (A); guaranteed L <sub>WA</sub> = 96 dB (A)<br>P = 2.6 KW; L/O = 40 cm<br>Notified Body: TUV Rheinland |
| <input type="checkbox"/> 97/23/EC               | <input checked="" type="checkbox"/> 2004/26/EC<br>Emission No.: e1*97/68SN3-IIA*2004/26*0386*00  |
| <input type="checkbox"/> 90/396/EC              |  |
| <input type="checkbox"/> 89/686/EC_96/58/EC     |  |
| <input type="checkbox"/> 87/404/EC              |  |

Standard references: EN ISO 14121-1; EN 836; EN 55012; EN 61000-6-1; EN 61000-6-3

Landau/Isar, den 28.08.2009

Weichselgartner/General Manager

Frank/Product-Management

First CE: 09  
Art.-No.: 34.010.14 I.-No.: 01019  
Subject to change without notice

Archive-File/Record: 3401014-05-4155050-09  
Documents registrar: Robert Mayn  
Wiesenweg 22, D-94405 Landau/Isar

®

The reprinting or reproduction by any other means, in whole or in part, of documentation and papers accompanying products is permitted only with the express consent of ISC GmbH.

## Home Retail Group

489-499 Avebury Boulevard,  
Saxon Gate West,  
Central Milton Keynes  
MK9 2NW

Helpline Numbers:

**UK 0151 649 1500**

**IRE 189 094 6244**

## Einhell UK Ltd

Unit 5 Morpeth Wharf,  
Twelve Quays, Birkenhead,  
Wirral  
CH41 1LF

Contact Numbers:

**TEL 0151 649 1500**

**FAX 0151 649 1501**

GARDENING MADE EASY

# POWERBASE®

## PRODUCT GUARANTEE

This product is guaranteed against manufacturing defects for a period of:



This product is guaranteed for twelve months from the date of original purchase. Any defect that arises due to faulty materials or workmanship will either be replaced, refunded or repaired free of charge where possible during this period by the dealer from whom you purchased the unit.

- The guarantee does not cover accidental damage, misuse, cabinet parts, knobs or consumable items.
- The product must be correctly installed and operated in accordance with the instructions contained in this manual.
- It must be used solely for domestic purpose.
- The guarantee will be rendered invalid if the product is re-sold or has been damaged by inexpert repair.
- Specifications are subject to change without notice.
- The manufacturer disclaims any liability for the incidental or consequential damages.
- The guarantee is in addition to, and does not diminish your statutory or legal rights.

Guarantor: Homebase Ltd  
AVERBURY, MILTON KEYNES  
MK9 2NW  
TEL: 0845 0778888  
[www.homebase.co.uk](http://www.homebase.co.uk)

For technical support and assistance or requests for spare parts  
and accessories please contact:

TEL: 0151 649 1500 between the following hours:  
Mon - Thursday 8.45am - 5.00pm  
Friday 8.45am - 3.15pm

© Technical changes subject to change

