



**GE-SP 4390 N-A LL ECO**

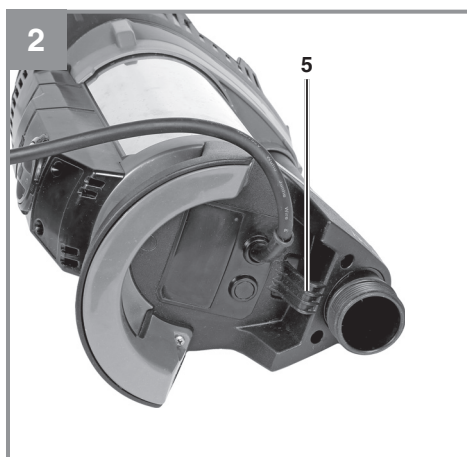
**GB Original operating instructions**  
**Clear water pump**

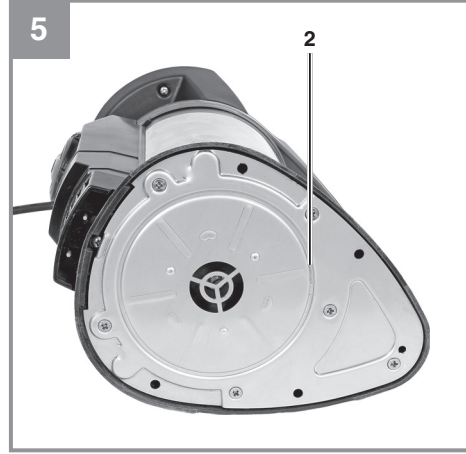
**KOR 오/청수 겸용 다용도 수중 유체 펌프**  
**- 사용설명서**



**품번: 41.714.42**

**고유번호: 21012**









**Danger!** - Read the operating instructions to reduce the risk of injury

This appliance is not intended for use by persons (including children) with reduced physical, sensory or mental capabilities, or lack of experience and knowledge, unless they have been given supervision or instruction concerning use of the appliance by a person responsible for their safety.

Children should be supervised to ensure that they do not play with the appliance.

If the power cable for this equipment is damaged, it must be replaced by the manufacturer or its after-sales service or similarly trained personnel to avoid danger.

**Danger!**

When using the equipment, a few safety precautions must be observed to avoid injuries and damage. Please read the complete operating instructions and safety regulations with due care. Keep this manual in a safe place, so that the information is available at all times. If you give the equipment to any other person, hand over these operating instructions and safety regulations as well. We cannot accept any liability for damage or accidents which arise due to a failure to follow these instructions and the safety instructions.

**1. Safety regulations****Danger!****Read all safety regulations and instructions.**

Any errors made in following the safety regulations and instructions may result in an electric shock, fire and/or serious injury.

**Keep all safety regulations and instructions in a safe place for future use.**

**Danger!**

**The pump must be powered via an earth-leakage circuit breaker (RCD) with a rated fault current of no more than 30 mA (according to VDE 0100 Part 702 and 738).**

The equipment is not designed for use in swimming pools and paddling pools of any kind or other bodies of water in which people or animals may be present during operation. It is prohibited to operate the equipment if a person or animal is in the danger area. Ask your electrician!

- Before you put the equipment into operation, arrange for a specialist to check that the earthing, protective multiple earthing or residual-current operated circuit-breaker circuit comply with the safety regu-

lations of the power supply company and work correctly.

- The electrical plug-in connections must be protected from wet conditions.
- If there is a risk of flooding, place the plug-in connections in an area which is safe from flooding.
- Strictly avoid pumping aggressive liquids and abrasive substances.
- Protect the equipment from frost.
- Protect the equipment from dry running.
- Take suitable measures to keep the equipment out of the reach of children.
- There is a risk of the liquid becoming contaminated by escaping lubricant.

**2. Layout and items supplied****2.1 Layout (Figs. 1/2/3)**

1. Universal hose connection
2. Suction plate
3. Integrated float switch
4. Handle
5. Suspension eye
6. Non-return valve

**2.2 Items supplied**

Please check that the article is complete as specified in the scope of delivery. If parts are missing, please contact our service center or the sales outlet where you made your purchase at the latest within 5 working days after purchasing the product and upon presentation of a valid bill of purchase. Also, refer to the warranty table in the service information at the end of the operating

instructions.

- Open the packaging and take out the equipment with care.
- Remove the packaging material and any packaging and/or transportation braces (if available).
- Check to see if all items are supplied.
- Inspect the equipment and accessories for transport damage.
- If possible, please keep the packaging until the end of the guarantee period.

#### **Danger!**

**The equipment and packaging material are not toys. Do not let children play with plastic bags, foils or small parts. There is a danger of swallowing or suffocating!**

- Clear water pump
- Universal hose connection
- Original operating instructions
- Non-return valve

### 3. Proper use

The equipment you have purchased is designed to pump water with a maximum temperature of 35 °C. This equipment must never be used for other liquids, especially not for engine fuels, cleaning agents and other chemically-based products!

Before you use the pump, clarify any possible special conditions which need to be fulfilled for the installation!

For example, additional safety measures may be needed if damage to property could result from a power failure, soiling or a defective gasket.

Examples of such safety measures:

Pumps running in parallel on a separately protected power circuit, moisture sensors for switching off the pumps, and similar safety arrangements.

Be sure to consult a professional plumber if you have any doubt.

The equipment can be used wherever you want to move water, e.g. in the house, in the garden, and for many other applications. It must not be used to operate swimming pools!

If you want to use the equipment in bodies of water with a natural, muddy bottom, place the equipment in a slightly elevated position, e.g. on bricks.

The equipment is not designed for continuous operation, e.g. as a circulating pump in a pond. In this case the equipment's anticipated life will be greatly shortened because the equipment was not designed for continuous loading.

The equipment is to be used only for its prescribed purpose. Any other use is deemed to be a case of misuse. The user / operator and not the manufacturer will be liable for any damage or injuries of any kind caused as a result of this.

Please note that our equipment has not been designed for use in commercial, trade or industrial applications. Our warranty will be voided if the machine is used in commercial, trade or industrial businesses or for equivalent purposes.

The water may be contaminated by escaping lubricating oil/lubricant.

### 4. Technical data

|                                    |                            |
|------------------------------------|----------------------------|
| Mains connection .....             | 220 V ~ 60 Hz              |
| Power consumption .....            | 430 W                      |
| Max. pumping rate .....            | 9000 l/h                   |
| Max. delivery head .....           | 8 m                        |
| Max. immersion depth .....         | 7 m                        |
| Max. water temperature .....       | 35°C                       |
| Hose connection: ..                | approx. 47.8 mm (G 1½ ) AG |
| Max. size of foreign bodies: ..... | Clean water                |
| Suction height: .....              | min. 1 mm                  |
| Protection .....                   | IPX8                       |

### 5. Before starting the equipment

Before you connect the equipment to the mains supply make sure that the data on the rating plate are identical to the mains data.

#### 5.1 Installation

The equipment can be installed either:

- Stationary with a rigid pipe line
- or
- Stationary with a flexible hose line

The equipment must be fastened to the suspension eyelet with a rope (Fig. 2/Item 5).

The maximum pumping rate is possible only with the largest possible line diameter; if smaller hoses

or pipes are connected, the pumping rate will be reduced. If the universal hose connection (Fig. 1/Item 1) is used, it should be shortened (as shown in Fig. 3) to the connection actually used in order not to reduce the pumping rate unnecessarily. Flexible hoses must be fastened to the universal hose connection with a hose clip (not included in the scope of supply).

The non-return valve (Fig. 3/Item 6) prevents the water in the hose flowing back when the pump is switched off. The use of the non-return valve reduces the maximum delivery rate.

Water might escape from the ventilation opening during operation.

#### **Note!**

When installing, never hang the equipment by the discharge line or by the power cable. The equipment must be hung up by the provided carry handle or suspension eyelet, or it must rest on the bottom of the shaft. To ensure that the equipment works properly, the bottom of the shaft always must be free of sludge and other accumulations of dirt. If the water level is too low, the sludge in the shaft can quickly dry out and hinder the equipment from starting. It is necessary therefore to check the equipment regularly (carry out trial start-ups).

## **5.2 Mains connection**

### **Danger!**

The equipment you have purchased comes with an earthing-pin plug. The equipment is designed for connection to a socket outlet with earthing contact for 220 V ~ 60 Hz. Make sure that the socket-outlet is sufficiently fused (at least 6 A) and in good working order. Insert the power plug in the socket-outlet and the equipment is ready for operation.

## **6. Operation**

### **6.1 Starting up**

You can put the equipment into operation after you have thoroughly read the installation and operating instructions. Pay attention to the following points:

- Make sure that the equipment is set up securely.
- Check that the discharge line is fitted correctly.
- Make sure that the electrical connection is 220 V ~ 60 Hz.
- Check that the electrical socket-outlet is in good working order.
- Make sure that no moisture or water can ever reach the power connection.
- Make sure that the equipment does not run dry.
- To switch off the equipment, pull the power plug out of the socket outlet.

### **6.2 Operating mode (Fig. 4)**

#### **ON Manual mode**

 **Autostart level 1:** ON point 5 mm

 **Autostart level 2:** ON point 56 mm

 **Autostart level 3:** ON point 103 mm

### **6.3 Mode of operation of the integrated float switch**

#### **Application 1:**

In ON mode the equipment will run continuously and the water can be sucked up down to a level of 1 mm. To prevent dry running, this operating mode is allowed only under supervision. The equipment must be switched off (pull out the power plug) as soon as no more water is emitted from the discharge line.

#### **Please note:**

For the equipment to suck up water in ON mode there must be a minimum depth of 5 mm of water!

#### **Application 2:**

The pump can be used in autostart mode for rising water levels. When the preset autostart level is reached, the pump starts automatically. Regardless of the selected autostart level, the pump will pump until 5 mm is left and will then



continue running on for a further 30 seconds before switching off automatically.

**Please note:**

The fact that it switches off automatically after 30 seconds will not prevent dry running! The water can be sucked up down to a level of 1 mm as a maximum.

**Application 3:**

The pump can be used in autostart mode where the water level at the beginning is higher than the preset autostart level. Regardless of the selected autostart level, the pump will pump until 5 mm is left and will then continue running on for a further 30 seconds before switching off automatically.

**Please note:**

The fact that it switches off automatically after 30 seconds will not prevent dry running! The water can be sucked up down to a level of 1 mm as a maximum.

## 7. Replacing the power cable

**Danger!**

If the power cable for this equipment is damaged, it must be replaced by the manufacturer or its after-sales service or similarly trained personnel to avoid danger.

## 8. Cleaning, maintenance and ordering of spare parts

**Danger!**

Always pull out the mains power plug before starting any cleaning work.

### 8.1 Cleaning

- Keep all safety devices, air vents and the motor housing free of dirt and dust as far as possible. Wipe the equipment with a clean cloth or blow it with compressed air at low pressure.
- We recommend that you clean the device immediately each time you have finished using it.
- Clean the equipment regularly with a moist cloth and some soft soap. Do not use cleaning agents or solvents; these could attack the plastic parts of the equipment. Ensure that no water can seep into the device. The

ingress of water into an electric tool increases the risk of an electric shock.

### 8.2 Cleaning the paddle wheel (Fig. 5/Item 2)

If a lot of deposits collect in the housing, the bottom part of the equipment must be dismantled as follows:

1. Detach the suction plate from the housing.
2. Clean the paddle wheel with clear water.

**Caution!** Do not put down or rest the equipment on the paddle wheel!

3. Assemble in reverse order.

### 8.3 Maintenance

There are no parts inside the equipment which require additional maintenance.

### 8.4 Ordering replacement parts:

Please quote the following data when ordering replacement parts:

- Type of machine
- Article number of the machine
- Identification number of the machine
- Replacement part number of the part required

For our latest prices and information please go to [www.Einhell-Service.com](http://www.Einhell-Service.com)

## 9. Disposal and recycling

The equipment is supplied in packaging to prevent it from being damaged in transit. The raw materials in this packaging can be reused or recycled. The equipment and its accessories are made of various types of material, such as metal and plastic. Never place defective equipment in your household refuse. The equipment should be taken to a suitable collection center for proper disposal. If you do not know the whereabouts of such a collection point, you should ask in your local council offices.

## 10. Storage

Store the equipment and accessories in a dark and dry place at above freezing temperature. The ideal storage temperature is between 5 and 30 °C. Store the electric tool in its original packaging.

## 11. Troubleshooting guide

| <b>Faults</b>                                    | <b>Cause</b>  | <b>Remedy</b>  |
|--|---|--|
| The equipment does not start                     | <ul style="list-style-type: none"> <li>- Power supply not connected</li> <li>- Observe the autostart level</li> </ul>   | <ul style="list-style-type: none"> <li>- Check power supply</li> <li>- Turn the autostart level to the correct position</li> </ul>   |
| The equipment does not pump                      | <ul style="list-style-type: none"> <li>- Intake sieve clogged</li> <li>- Discharge hose kinked</li> </ul>   | <ul style="list-style-type: none"> <li>- Clean intake sieve with water jet</li> <li>- Unkink the hose</li> </ul>   |
| The equipment does not cut out                   | <ul style="list-style-type: none"> <li>- Observe the autostart level</li> </ul>   | <ul style="list-style-type: none"> <li>- Turn the autostart level to the correct position</li> </ul>   |
| Insufficient pumping rate                        | <ul style="list-style-type: none"> <li>- Intake sieve clogged</li> <li>- Performance reduced due to heavily contaminated and abrasive water impurities</li> </ul>   | <ul style="list-style-type: none"> <li>- Clean intake sieve</li> <li>- Clean equipment and replace wear parts</li> </ul>   |
| The equipment switches off after briefly running | <ul style="list-style-type: none"> <li>- Motor circuit-breaker switches the equipment off due to excessive water contamination</li> <li>- Water temperature too high; motor circuit-breaker switches the equipment off</li> </ul> | <ul style="list-style-type: none"> <li>- Unplug power plug and clean equipment and shaft</li> <li>- Ensure that maximum permissible water temperature (35 °C) is not exceeded</li> </ul> |



For EU countries only

Never place any electric power tools in your household refuse.

To comply with European Directive 2012/19/EC concerning old electric and electronic equipment and its implementation in national laws, old electric power tools have to be separated from other waste and disposed of in an environment-friendly fashion, e.g. by taking to a recycling depot.

Recycling alternative to the return request:

As an alternative to returning the equipment to the manufacturer, the owner of the electrical equipment must make sure that the equipment is properly disposed of if he no longer wants to keep the equipment. The old equipment can be returned to a suitable collection point that will dispose of the equipment in accordance with the national recycling and waste disposal regulations. This does not apply to any accessories or aids without electrical components supplied with the old equipment.

Please note that batteries and lamps (e.g. light bulbs) must be removed from the tool before it is disposed of.

The reprinting or reproduction by any other means, in whole or in part, of documentation and papers accompanying products is permitted only with the express consent of the Einhell Germany AG.

Subject to technical changes

## Service information

We have competent service partners in all countries named on the guarantee certificate whose contact details can also be found on the guarantee certificate. These partners will help you with all service requests such as repairs, spare and wearing part orders or the purchase of consumables.

Please note that the following parts of this product are subject to normal or natural wear and that the following parts are therefore also required for use as consumables.

| Category      | Example  |
|---------------|----------|
| Wear parts*   | Impeller |
| Consumables*  |          |
| Missing parts |          |

\* Not necessarily included in the scope of delivery!

In the effect of defects or faults, please register the problem on the internet at [www.Einhell-Service.com](http://www.Einhell-Service.com). Please ensure that you provide a precise description of the problem and answer the following questions in all cases:

- Did the equipment work at all or was it defective from the beginning?
- Did you notice anything (symptom or defect) prior to the failure?
- What malfunction does the equipment have in your opinion (main symptom)?  
Describe this malfunction.

## Warranty certificate

Dear Customer,

All of our products undergo strict quality checks to ensure that they reach you in perfect condition. In the unlikely event that your device develops a fault, please contact our service department at the address shown on this guarantee card. You can also contact us by telephone using the service number shown. Please note the following terms under which guarantee claims can be made:

1. These guarantee terms apply to consumers only, i.e. natural persons intending to use this product neither for their commercial activities nor for any other self-employed activities. These warranty terms regulate additional warranty services, which the manufacturer mentioned below promises to buyers of its new products in addition to their statutory rights of guarantee. Your statutory guarantee claims are not affected by this guarantee. Our guarantee is free of charge to you.
2. The warranty services cover only defects due to material or manufacturing faults on a product which you have bought from the manufacturer mentioned below and are limited to either the rectification of said defects on the product or the replacement of the product, whichever we prefer.  
Please note that our devices are not designed for use in commercial, trade or professional applications. A guarantee contract will not be created if the device has been used by commercial, trade or industrial business or has been exposed to similar stresses during the guarantee period.
3. The following are not covered by our guarantee:
  - Damage to the device caused by a failure to follow the assembly instructions or due to incorrect installation, a failure to follow the operating instructions (for example connecting it to an incorrect mains voltage or current type) or a failure to follow the maintenance and safety instructions or by exposing the device to abnormal environmental conditions or by lack of care and maintenance.
  - Damage to the device caused by abuse or incorrect use (for example overloading the device or the use of unapproved tools or accessories), ingress of foreign bodies into the device (such as sand, stones or dust, transport damage), the use of force or damage caused by external forces (for example by dropping it).
  - Damage to the device or parts of the device caused by normal or natural wear or tear or by normal use of the device.
4. The guarantee is valid for a period of 24 months starting from the purchase date of the device. Guarantee claims should be submitted before the end of the guarantee period within two weeks of the defect being noticed. No guarantee claims will be accepted after the end of the guarantee period. The original guarantee period remains applicable to the device even if repairs are carried out or parts are replaced. In such cases, the work performed or parts fitted will not result in an extension of the guarantee period, and no new guarantee will become active for the work performed or parts fitted. This also applies if an on-site service is used.
5. To make a claim under the guarantee, please register the defective device at: [www.Einhell-Service.com](http://www.Einhell-Service.com). Please keep your bill of purchase or other proof of purchase for the new device. Devices that are returned without proof of purchase or without a rating plate shall not be covered by the guarantee, because appropriate identification will not be possible. If the defect is covered by our guarantee, then the item in question will either be repaired immediately and returned to you or we will send you a new replacement.

Of course, we are also happy offer a chargeable repair service for any defects which are not covered by the scope of this guarantee or for units which are no longer covered. To take advantage of this service, please send the device to our service address.

Also refer to the restrictions of this warranty concerning wear parts, consumables and missing parts as set out in the service information in these operating instructions.

## 목차

1. 안전 규정 / 취급 시 유의사항
2. 제품 구성 및 제공 품목
3. 사용 용도
4. 기술 지원 / 제품 사양
5. 사용 전 알아두어야 할 사항
6. 기기의 작동
7. 전원 케이블 교체
8. 세척/ 유지 보수 및 소모품 주문
9. 기기의 폐기 및 재활용
10. 기기의 보관
11. 기기 자가 진단 및 점검



**주의!** - 사용 전 설명서를 반드시 읽어 주십시오.

본 기기는 신체적, 감각적 또는 정신적 장애 또는 문제가 있거나 발달이 덜 된 사람 (어린이, 유아 포함) 및 지식/ 경험이 없는 사람에게 사용되어서는 안 됩니다. 또한 안전을 책임지는 사람이 승인 또는 지침을 받은 경우를 제외하고 사용이 불가 합니다. 안전 지침 교육을 받은 사람에 의해 사용 되어야 합니다. 어린이의 기기 작동 및 사용을 일 체 금합니다.

본 기기의 전원케이블 손상 시, 제조업체 및 고객 서비스 센터, 전문 A/S직영점에 의뢰 또는 방문하여 수리 및 교체하시기 바랍니다.

**주의!**

기기를 사용할 때는 부상과 손상을 방지하기 위해 몇 가지 안전 예방 조치를 준수해야 합니다. 전체 운영 지침 및 안전 규정을 주의 깊게 읽으십시오. 이 사용설명서는 항상 사용할 수 있도록 안전한 장소에 보관하십시오. 기기를 다른 사람에게 양도하는 경우 이 사용설명서 및 안전 규정도 전달해 주십시오. 당사는 사용설명서의 작동 지침 및 안전 규정을 따르지 않아 발생하는 손상이나 사고에 대해 어떠한 책임도 지지 않습니다.

**1. 안전 규정****주의!**

**모든 안전 규정 및 작동지침을 반드시 읽어 주십시오.**

안전 규정 및 지침을 따르지 않으면 감전, 화재 또는 심각한 부상을 입을 수 있습니다.

**모든 안전 규정 및 사용설명서는 항상 사용할 수 있도록 안전한 장소에 보관하십시오.**

**주의!**

본 청수 수증 펌프 (유체펌프)는 정격 고정 전류가 30mA 이하인 누전 회로 차단기(RCD)를 통해 전원을 공급해야 합니다.(VDE 0100 Part 702 및 738에 따름)

이 기기는 수영장 및 노를 젓는 수영장 또는 사람이나 애완동물이 있는 수역에서 사용하도록 설계되지 않았습니다. 사람이나 애완동물이 위험 지역에 있는 경우 본 기기를 조작하는 것은 금지되어 있습니다. 전기 전문가에게 확인하시기 바랍니다.

- 기기를 작동시키기 전에 보호 다중 접지 확인 또는 잔류전류 회로차단기 작동 확인하고, 전원 공급회사의 안전 규정을 준수하고, 올바르게 작동하는지 전문가에게 확인하십시오.
- 젖은 상태에서 전원을 연결하지 마십시오.
- 홀수로부터 안전한 장소에서 전원이 연결되도록 배치하십시오.
- 유해한 액체와 연마 물질을 펌핑하지 마십시오.
- 서리로부터 기기를 보호하십시오.
- 장기간 공회전을 하지 마십시오.
- 어린이의 손이 닿지 않는 적절한 장소에 보관하십시오.
- 윤활유가 유출될 수 있으니 사용하지 마십시오.

**2. 제품 구성 및 공급 품목****2.1 제품 구성 (그림 1/2/3)**

1. 일반호스 연결구
2. 흡입 밀판
3. 일체형 스위치
4. 손잡이
5. 고정 걸이대
6. 역류방지 밸브

**2.2 공급 품목**

제품 수령 후 박스를 개봉하여 구성품을 확인하시기 바랍니다. 구성품이 누락된 경우, 구매일로부터 5영업일 이내에 아인헬코리아 서비스 센터 또는 판매점으로 연락하시기 바랍니다. 사용설명서 마지막에 있는 품질 보증 관련 사항을 참조하십시오.

- 포장박스를 개봉하고, 주의를 기울여 제품을 꺼냅니다.
- 포장재료 및 재사용 가능한 배송용 자재를 제거하십시오.
- 모든 구성품이 제대로 들어 있는지 확인하십시오.
- 배송 중 기기 및 액세서리에 파손이 없는지 확인하십시오.
- 가능하면 보증 기간이 끝날 때까지 포장박스를 보관하십시오.

**위험!**

본 제품 및 포장재는 어린이들의 손이 닿지 않는 곳에 보관하십시오. 포장 비닐, 호일 또는 작은 부품을 가지고 놀거나 삼키지 않도록 주의를 기울이시기 바랍니다. 질식의 위험이 있습니다.

- 펌프 본체
- 일반호스 연결구
- 사용설명서
- 역류방지 밸브

**3. 올바른 사용방법**

본 기기는 최대 온도가 35 °C인 물을 양수하도록 설계되었습니다. 물 이외의 다른 액체, 특히 엔진 연료, 세정제 및 기타 화학제품의 사용을 일체 금합니다.

펌프를 사용하기 전, 본 기기의 설치를 위해 아래 사항에 주의를 기울여 주십시오.

예를 들어 정전, 오염 또는 결함이 있는 가스켓 사용으로 제품의 손상이 발생할 수 있어, 추가로 안전 조치가 필요할 수 있습니다.

이러한 안전 조치의 예시 :

별도로 보호된 전력 회로에서 병렬로 작동하는 펌프, 펌프의 끄기 위한 수분 센서 및 유사한 안



**전 장치**

의심의 여지가 있는 경우 전문가와 상담하십시오.

본 기기는 물을 옮기고 싶은 곳, 예를 들어 집, 정원 및 기타 여러 응용 분야에 사용할 수 있습니다. 수영장 내 사용을 금지 합니다.

본 기기를 진흙 바닥에서 사용할 경우, 벽돌 위에 기기를 올려놓고 사용하십시오.

본 기기는 연못의 순환 펌프와 같이 연속 작동을 위해 설계되지 않았습니다. 이 경우 기기의 수명이 크게 단축됩니다.

본 기기는 규정된 용도만으로 사용해야 합니다. 규정 용도 이외의 다른 사용은 오용의 경우로 간주됩니다. 사용자는 오용으로 인해 발생한 모든 종류의 손상이나 부상에 대해 책임을 지며, 제조사는 책임지지 않습니다.

본 기기는 상업, 무역 또는 산업 응용 분야에서 사용하도록 설계되지 않았습니다. 기기가 상업, 무역 또는 산업시설 또는 이와 동등한 목적으로 사용되는 경우 당사의 보증은 무효화됩니다.

윤활유가 누출되어 물이 오염될 수 있습니다.

**4. 기술 자료**

|                  |   |
|------------------|---|
| 전원.....          | 220 V / 60Hz                                |
| 소비 전력 .....      | 430 W                                       |
| 최대 양수량 .....     | 9,000 L/h                                   |
| 최대 입상높이 .....    | 8 m   |
| 최대 흡상깊이 .....    | 7 m   |
| 최대 수온 .....      | 35°C  |
| 호스 연결 .....      | 약 47.8mm(G1 <sup>1</sup> / <sub>2</sub> AG) |
| 최대 이물질크기 : ..... | 맑은 물  |
| 흡입구 높이 : .....   | 최소 1 mm                                     |
| 방진방수등급.....      | IPX8  |

**5. 제품을 사용하기 전에**

기기를 콘센트 전원공급 장치에 연결하기 전에 기기에 부착된 명판 전압이 주전원 전압과 동일한지 확인하십시오.

**5.1 제품 조립**

본 기기는 다음 중 하나의 방식으로 설치할 수 있습니다.

- 단한 파이프 라인이 있는 고정식 또는
- 유연한 호스 라인이 있는 고정식: 기기는 로프로 고정걸이대에 고정해야 합니다. (그림 2 / 항목 5)

최대 펌핑 속도는 가능한 가장 큰 라인 직경에서만 가능합니다. 더 작은 호스나 파이프가 연결되면 펌핑 능력이 감소합니다. 범용 호스 연결부(그림 1/항목 1)를 사용하는 경우, 불필요하게 펌핑 능력을 감소시키지 않도록 실제 사용되는 연결부(그림 3참조)로 줄여야 합니다.

유연한 호스는 호스클립(별매품)을 사용하여 일반 호스 연결구에 고정해야 합니다.

역류방지 밸브 (그림 3 / 항목 6)는 펌프가 꺼질 때 호스의 물이 다시 역류하는 것을 방지합니다. 역류방지 밸브를 사용하면 최대 펌핑 속도가 감소합니다.

본 기기 작동 중에 물이 환기구에서 빠져나올 수 있습니다.

**메모!**

기기를 설치할 때 전원 케이블로 절대 매달지 마십시오. 기기는 손잡이 또는 고정걸이대에 매달려 있거나 본체가 바닥에 놓여 있어야 합니다. 기기가 제대로 작동하는지 확인하려면 본체 바닥에 항상 슬러지 및 기타 먼지가 없어야 합니다. 수위가 너무 낮으면 본체 내부로 유입된 슬러지가 빨리 건조되어 기기의 시동을 방해할 수 있습니다. 따라서 정기적으로 기기를 점검해야 합니다.(시운전 시작)

**5.2 메인전원 연결****주의!**

본 기기에는 접지용 핀 플러그가 함께 제공됩니다. 본 기기는 220V / 60Hz의 접지점이 있는 소켓 콘센트에 연결하도록 설계되었습니다. 소켓 콘센트의 용량이 충분한지(최소 6A) 잘 작동하는지 확인하십시오. 소켓 콘센트에 전원 플러그를 꽂으면 기기가 작동할 준비가 된 것입니다.

## 6. 기기의 작동

### 6.1 시동

설치 및 작동 지침을 철저히 읽은 후에 기기를 작동할 수 있습니다. 다음 사항에 주의하십시오.

- 기기가 안전하게 설정되어 있는지 확인하십시오.
- 배수 라인이 올바르게 장착되었는지 확인하십시오.
- 전원 연결이 220V / 60Hz인지 확인하십시오.
- 전원 소켓 콘센트가 제대로 작동하는지 확인하십시오.
- 전원 연결시 물이나 습기가 없는지 확인하십시오.
- 기기가 마르지 않도록 하십시오.
- 기기 사용을 중지하려면, 소켓 콘센트에서 전원 플러그를 뽑습니다.

### 6.2 작동 모드 (그림 4)

수동 모드에서

~ 자동 시작 레벨 1: ON 포인트 5mm

≡ 자동 시작 레벨 2: ON 포인트 56 mm

≡≡ 자동 시동 레벨 3: ON 포인트 103 mm

### 6.3 일체형 플로트 스위치의 작동 모드

#### 응용 프로그램 1 :

ON 모드에서 기기는 지속적으로 작동하며 물의 높이가 1mm까지 빨리 들어갈 수 있습니다. 공회전을 방지하기 위해 이 작동 모드는 감독하에서만 허용됩니다. 배수 라인에서 더 이상 물이 방출되지 않는 즉시 기기 가동을 중지해야 합니다.(전원 플러그 차단)

#### 참고 사항 :

기기가 ON 모드에서 물을 빨아들이기 위해서는 최소 5mm의 물 깊이가 있어야 합니다.

#### 응용 프로그램 2 :

펌프는 수위 상승을 위한 자동 시작 모드에서 사용할 수 있습니다. 사전 설정된 자동 시작 레벨에 도달하면 펌프가 자동으로 시작됩니다. 선택한 자동 시작 레벨에 관계없이 펌프는 물의 높이 5mm까지 펌핑한 다음 자동으로 꺼지기 전에 30초 동안 계속 켜집니다.

#### 참고 사항 :

30초 후에 자동으로 꺼진다 해도 공회전을 막을 수는 없습니다. 물은 최대 1mm까지 흡입할 수 있습니다.

#### 응용 프로그램 3 :

펌프는 시작 시 수위가 사전 설정된 자동 시작 수준보다 높은 자동 시작 모드에서 사용할 수 있습니다. 선택한 자동 시작 레벨에 관계없이 펌프는 5mm가 남을 때까지 펌핑한 다음 자동으로 꺼지기 전에 30초 동안 계속 작동합니다.

#### 참고 사항 :

30초 후에 자동으로 꺼진다 해도 공회전을 막을 수는 없습니다. 물은 최대 1mm까지 흡입할 수 있습니다.

## 7. 전원 케이블 교체

### 주의!

본 기기의 전원 케이블이 손상된 경우, 위험을 방지하기 위해 제조업체 또는 A/S센터의 직원이 교체해야 합니다.

## 8. 기기의 청소, 유지 보수 및 예비 부품 주문

### 주의!

청소 작업을 시작하기 전에 항상 주전원 플러그를 콘센트에서 탈거하십시오.

### 8.1 청소

- 모든 안전 장치, 통풍구 및 본체를 가능한 한 먼지와 분진이 없도록 유지하십시오. 깨끗한 천으로 기기를 닦아내거나 저압 압축 공기로 불어 청소하십시오.
- 사용 후 즉시 기기를 청소하는 것이 좋습니다.
- 젖은 천과 부드러운 비누로 기기를 정기적으로 청소하십시오. 세제 또는 용제를 사용하지 마십시오. 기기의 플라스틱 부분이 손상될 수 있습니다. 기기 본체에 물이 스며들지 않도록 하십시오. 기기 본체에 물이 침투하면 감전의 위험이 증가합니다.

### 8.2 패들 휠 청소(그림5/항목2)

많은 퇴적물이 본체 하우징에 모이면 기기의 하단 부분을 다음과 같이 해체해야 합니다.

1. 하우징에서 흡입케이지를 분리합니다.
2. 맑은 물로 패들 휠을 청소하십시오. **주의!**  
패들 휠에 기기를 내려 놓거나 올려 놓지 마십시오!
3. 역순으로 조립하십시오.

### 8.3 유지 보수

기기 내부에는 추가 유지 보수가 필요한 부품이 없습니다.

### 8.4 교체 부품 주문:

교체 부품을 주문할 때 다음 데이터를 인용하십시오.

- 기기의 명칭 / 종류
- 기기의 품번
- 기기의 고유번호
- 소모품 / 교체품 번호

최신 가격표 및 상세 정보는

[www.Einhell-korea.co.kr](http://www.Einhell-korea.co.kr) 에서 확인하시기 바랍니다.

## 9. 기기의 폐기 및 재활용

운송 중 기기의 파손을 방지하기 위해 포장된 상태로 배송됩니다. 포장박스를 포함한 모든 포장 재료는 재사용 및 재활용이 가능합니다. 기기 본체와 액세서리는 금속 및 플라스틱과 같은 다양한 재료로 만들어집니다. 고장 난 기기를 가정에서 일반 쓰레기로 폐기하지 마십시오. 반드시 폐기물 종류에 맞도록 처리하십시오.

## 10. 기기의 보관

기기 본체와 액세서리를 어둡고 건조한 곳에 보관하십시오. 이상적인 보관 온도는 5 ~ 30 °C입니다. 본 기기를 원래 포장 상태로 보관하십시오.

## 11. 문제 해결 가이드

| 문제점               | 원인  | 해결   |
|-------------------|---|--|
| 기기가 작동되지 않습니다.    | <ul style="list-style-type: none"> <li>- 전원 공급 장치가 연결되지 않음.</li> <li>- 자동 시작 수준 관찰</li> </ul>   | <ul style="list-style-type: none"> <li>- 전원 공급 장치 확인</li> <li>- 자동 시작 레벨을 올바른 위치로 돌립니다.</li> </ul>   |
| 물이 펌핑되지 않습니다.     | <ul style="list-style-type: none"> <li>- 흡입 체망이 막힘</li> <li>- 배출 호스 꼬임</li> </ul>   | <ul style="list-style-type: none"> <li>- 고압수로 흡입 체망 세척</li> <li>- 호스 풀기</li> </ul>   |
| 기기가 건조되지 않습니다.    | <ul style="list-style-type: none"> <li>- 자동 시작 수준 관찰</li> <li>- 자동 시작 레벨을 올바른 위치로 돌리십시오. 펌핑 속도 부족</li> <li>- 흡입 체망이 막혔습니다.</li> </ul> | <ul style="list-style-type: none"> <li>- 심하게 오염되고 연마성 물 불순물로 인해 성능이 저하되었습니다.</li> <li>- 체망을 청소합니다.</li> <li>- 기기 본체 청소, 마모시 부품을 교체하십시오.</li> </ul> |
| 잠깐 실행 후 기기가 꺼집니다. | <ul style="list-style-type: none"> <li>- 모터 회로 차단기는 과도한 수질 오염 감지 시 기기를 정지시킵니다.</li> <li>- 수온이 너무 높아 모터 회로 차단기가 기기를 정지시킵니다.</li> </ul> | <ul style="list-style-type: none"> <li>- 전원 차단 후, 기기 본체와 회전축을 청소하십시오.</li> <li>- 최대 허용 수온 (35°C)이 초과되지 않았는지 확인하십시오.</li> </ul>                     |

## 서비스 문의

품질 보증서에 명시된 바와 같이 여러 국가에 공식 인증 서비스 센터가 위치하고 있으며, 연락처 세부 정보를 확인할 수 있습니다. 이러한 서비스 파트너는 수리, 부속품 및 교체품 주문 또는 소모품 구매와 같은 모든 종류의 서비스 요청을 처리합니다.

본 기기의 하기 명시된 부속품은 기본 소모품 또는 자연적 소모품으로 대체품의 용도로 사용됩니다.

| 구분     | 예시  |
|--------|-----|
| 소모품    | 압축기 |
| 일반 소모품 |     |
| 분실한 부품 |     |

본 기기의 하자 또는 결함이 발견될 경우, 이메일 주소 [leecho94@naver.com](mailto:leecho94@naver.com) 으로 문의하시기 바랍니다. 제품의 상태 및 문제점에 대해 상세히 기술하시고 하기 사항에 답변해 주시기 바랍니다.

- 기기가 처음부터 제대로 작동했는지 여부, 결함이 있었는지 여부
- 기기가 작동하지 않기 전에 증상 또는 결함이 있었는지 확인 여부
- 기기의 오작동 증상은 무엇인지, 고장 및 상태에 대해 기술

## 품질 보증서

고객님께,

당사의 모든 제품은 엄격한 품질 검사를 거쳐 완벽한 상태로 고객에게 전달됩니다.

기기에 고장 또는 결함이 발생한 경우, 보증서에 명시된 주소의 당사 서비스 부서로 문의하십시오. 보증서에 표기된 서비스 번호로 유선상으로도 문의가 가능합니다. 품질 보증에 의한 처리가 가능한 세부 명시는 하기를 참조하시기 바랍니다.

1. 본 보증은 소비자에게만 적용됩니다. 즉, 본 기기를 상업적 용도 또는 기타 자영업 목적의 용도로 사용하지 않는 일반 구매자에게 적용됩니다. 이 보증 조항은 추가 보증 서비스를 규제하며, 하기에 명시된 제조업자는 법적 보증의 권리 외에도 새로운 제품의 구매자에게 적용됩니다. 귀하의 법적 보증 클레임 청구의 경우, 본 보증서의 영향을 받지 않게 되며, 본 보증은 무료입니다.
  2. 보증 서비스는 하기에 언급된 바와 같이 제조업체로부터 구매한 제품의 자재 또는 제조상 결함으로 인한 불량건만을 대상으로 하며, 제품 결함 또는 하자에 대한 수리 또는 교환으로 제한됩니다. 당사의 기기는 상업용, 상거래용 및 전문적 용도의 목적으로 제작되지 않았습니다. 상업적인 용도, 상거래 및 산업적인 목적의 용도로 기기를 사용했을 경우나 보증 기간 동안 비슷한 조건에 노출되었을 경우 보증 계약이 성립되지 않습니다.
  3. 다음 사항은 당사의 품질 보증 조건에 포함되지 않습니다.
    - 조립 지침을 따르지 않았거나 잘못된 조립으로 하여 기기가 고장 또는 손상된 경우, 작동 지침을 따르지 않은 경우 (예: 주 전원 연결이 잘못된 경우) 또는 유지 보수 및 취급 설명서, 안전 지침을 따르지 않은 경우, 장비의 잘못된 보관으로 외부에 노출되거나 유지 보수가 올바르게 이행되지 않은 경우
    - 기기의 과부하 또는 잘못된 사용 (예: 기기 또는 사용/ 승인되지 않은 공구 또는 액세서리 과부하), 기기에 이물질 유입 (예: 모래, 돌, 흙, 먼지, 배송 중 손상)으로 인한 기기 손상, 외부 환경에 의한 기기 손상 (예: 제품의 낙하)
    - 일반적인 마모 또는 정상적 장비 사용으로 인한 부품, 소모품의 마모
  4. 품질 보증 청구는 기기 구매일로부터 12개월 동안 유효합니다. 보증인 청구는 제품의 하자, 또는 결함이 발견된 후 2주 이내에 보증 기간이 종료되기 전에 제출/처리되어야 합니다. 보증 기간 종료 후에는 품질 보증 청구가 불가능합니다. 기기의 수리 또는 부품 교체 처리가 될 경우에도 보증 기간은 유효기간 내에 본 기기에 계속적으로 적용됩니다. 이 경우, 기기의 수리 또는 부품의 교체로 하여 보증 기간에 영향을 미치지 않으며 그대로 유지됩니다. 또한 현장에서 실시간 서비스를 받게 되는 경우에도 동일하게 적용됩니다.
  5. 보증 처리 청구 신청의 경우, 하자 또는 결함이 있는 기기가 구입처에 등록되어 있어야 하며, 제품에 대한 구매 영수증 또는 구매에 대한 증빙 서류가 필요합니다. 구매 증빙 서류가 없거나 제품 표기가 없는 기기는 제품 자체의 확인 여부가 불분명하기 때문에 보증 대상에서 제외됩니다. 제품의 결함이 당사의 보증 범위 내에 해당되는 경우, 해당 기기는 즉시 수리되어 배송되거나 새 제품으로 교환 처리 됩니다. 또한, 보증에서 포함되지 않는 경우의 제품 결함 또는 하자에 대해서도 당사의 서비스 센터를 통해 유선 상으로 A/S 받으실 수 있습니다. 본 서비스 이용의 경우 당사 서비스 센터로 연락하십시오. 본 사용설명서/ 취급 시 유의사항에 명시된 일반 부품 및 소모품, 분실된 부품에 대해서 보증서의 상세 설명을 참조하시기 바랍니다. 소모품의 경우, 해당 결함 및 하자 사항에 대한 내용을 명시된 이메일 주소로 구매일 기준으로 해당 기한 내에 접수된 경우에 한해 보장 처리 및 보상이 가능합니다.
    - 일반 소모품의 경우: 구매일로부터 24시간 이내
    - 미 배송 부품: 구매일로부터 제 5 영업일 이내
    - 부품의 마모: 구매일로부터 6개월 이내
- \* 반드시 구매 일자 및 청구서가 함께 동봉되어야 합니다.

**#A/S 및 고객상담: 031-836-6303 / 판매자 (수입처) 이조무역 / 경기도 양주시 백석읍 부흥로 1114**





EH 07/2022 (01)

