

Tile cutting machine A-FS 180/2

Art.-No.: **43.011.61**

Bar code: 4006825534955

Sales unit: 1 pc

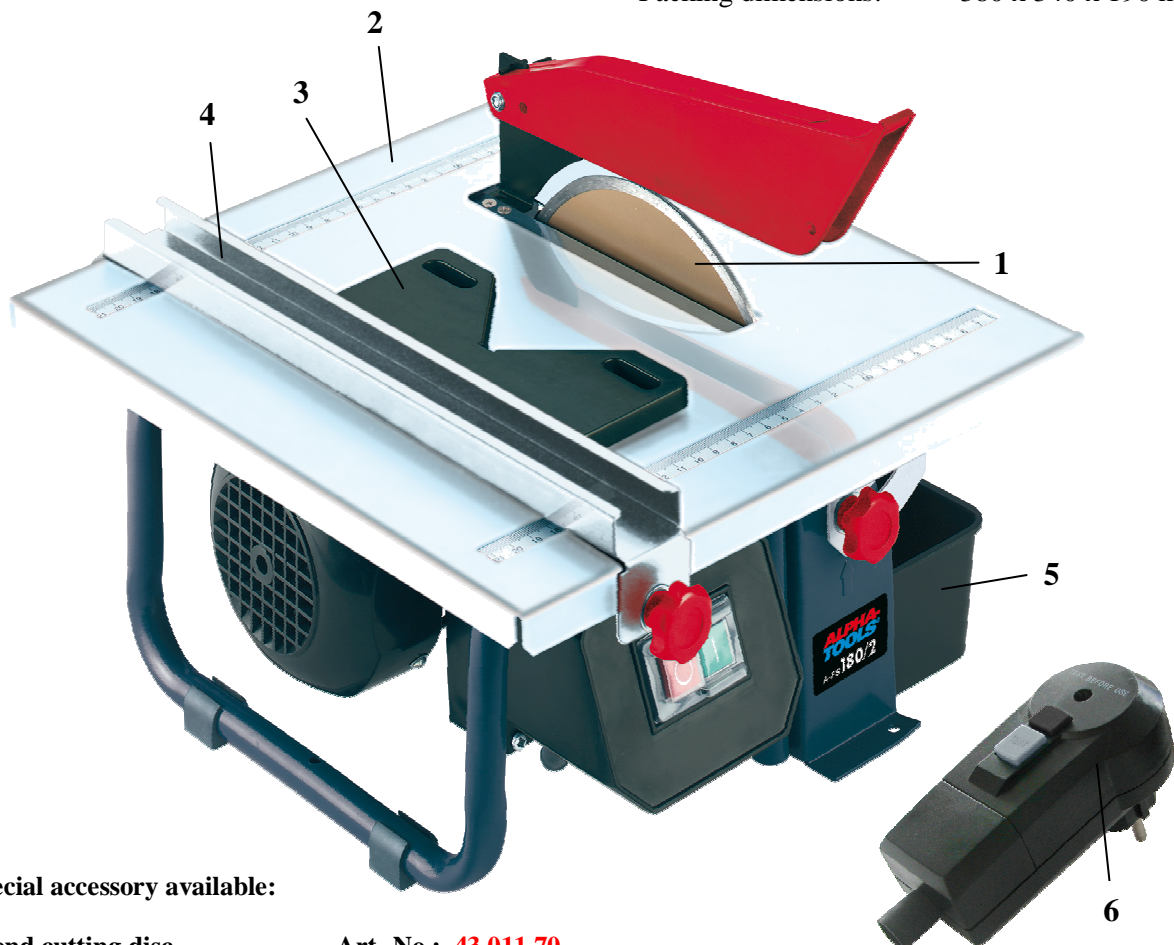
The tile cutting machine A-FS 180/2 is an easy transportable unit for cutting small and medium sized wall- or floor tiles with water cooled cutting disc for dust-free working. The zinc-coated working table can be tilted continuously up to 45°, incl. parallel guide for endless length and jolly cuts.

Features:

- Diamond cutting disc (1)
- Working table (2)
- Mitre cut guide (3)
- Parallel guide (4)
- Water tank (5)
- Tools for changing the cutting disc
- **RCD-Plug (6)**

Technical data:

- Mains: 230 V ~ 50 Hz
- Motor: AC motor
- Power: 600 W S2 10 min
- No-load speed n_0 : 3000 min⁻¹
- Cutting height 90° / 45°: 35 mm / 12 mm
- Table size: 330 x 360 mm
- Diamond cutting disc: Ø 180 x Ø 25.4 mm
- Weight: 10.8 kg
- Packing dimensions: 380 x 340 x 190 mm



As special accessory available:

Diamond cutting disc
Ø 180 x Ø 25.4 mm

Art.-No.: **43.011.70**
Bar code: 4006825432015

Abbildungen können nicht im Serien-Lieferumfang enthaltenes Zubehör darstellen / Illustrations can contain accessories, which are not included in standard extent of delivery.

Abbildungen ähnlich, produktionsbedingte Abweichung vorbehalten / Illustration similar (in design), production-wise modifications reserved

File: S:\shared-pool\Product-Dokumentation\T-Produktbeschreibung\30_n0t\Originale_Englisch_PA04\4301161_01027.doccreate date /
Erstelldatum 13.02.2007 16:17:00

up dated / aktualisiert: 13.02.2007