

Einhell®

Original operating instructions
Petrol Leaf Vacuum

7

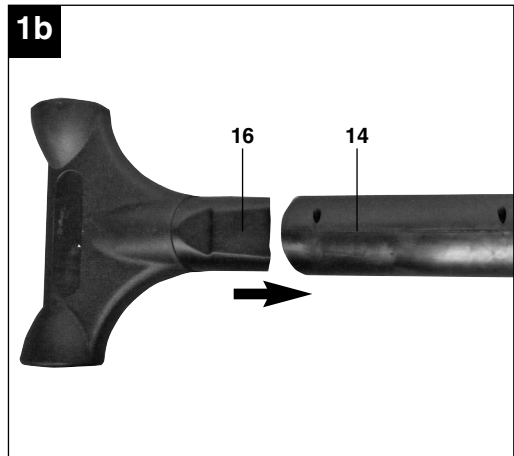
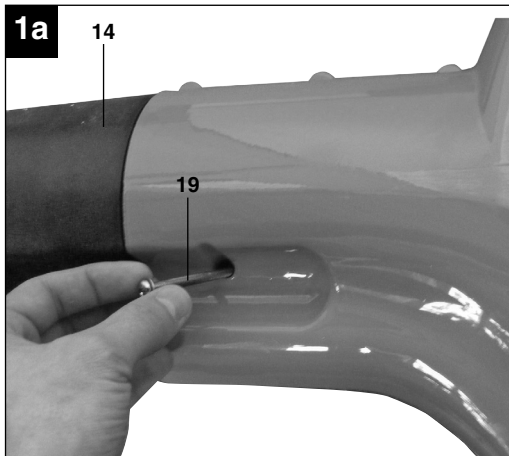
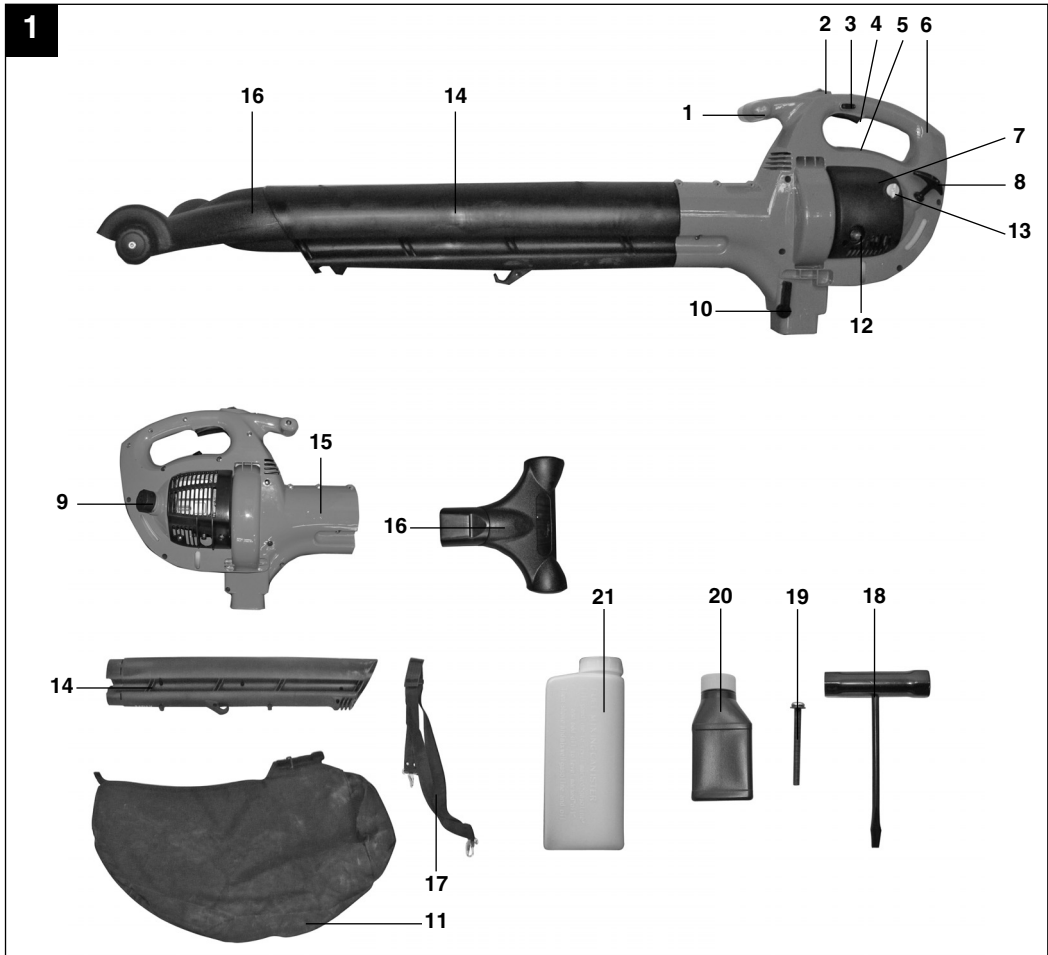
Art.-Nr.: 34.360.32

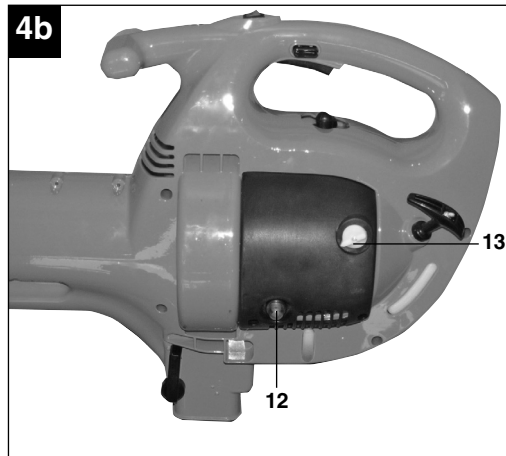
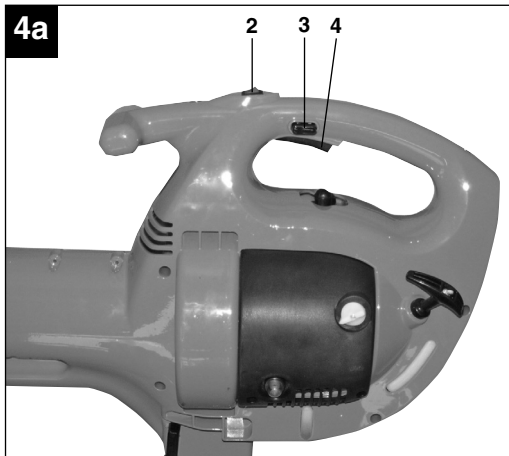
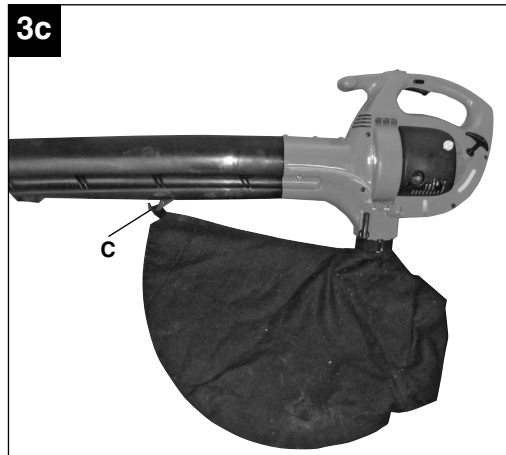
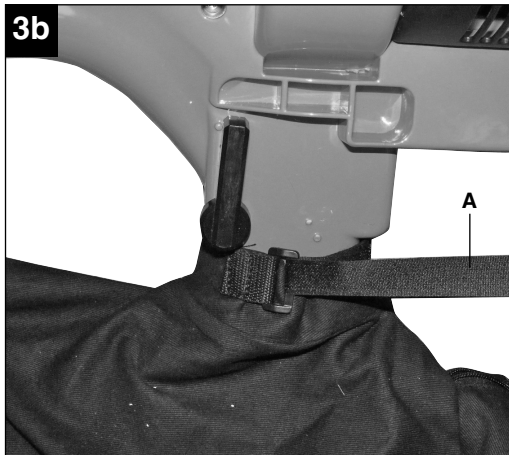
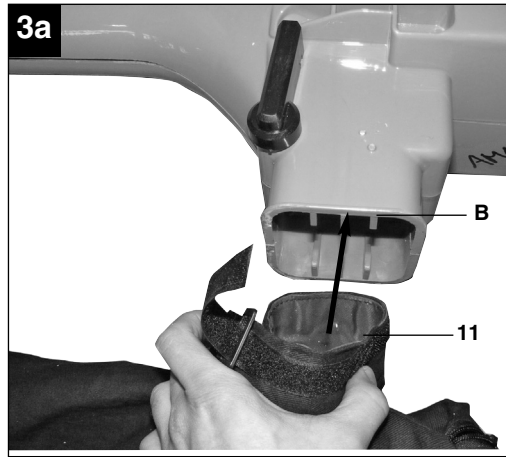
I.-Nr.: 11011

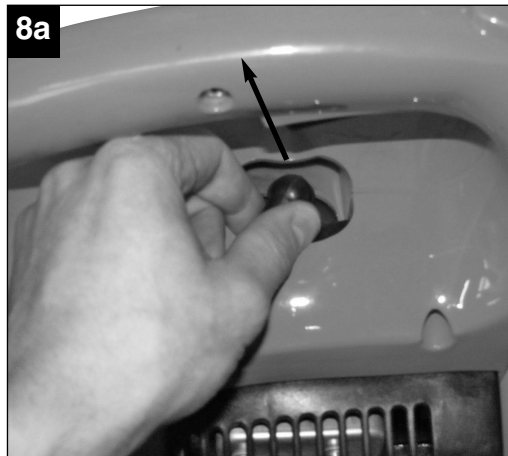
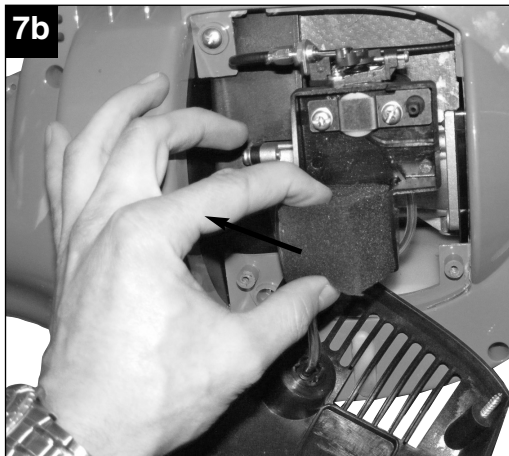
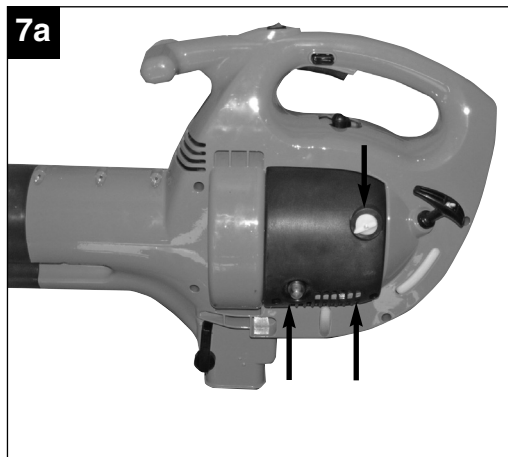
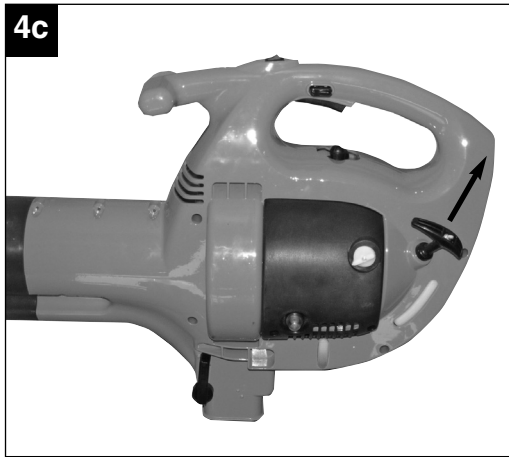
BG-PL 26/1

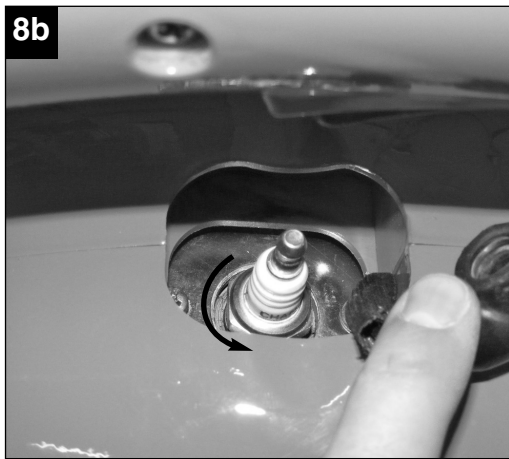


Ⓢ Read and follow the operating instructions and safety information before using for the first time.









9

1	2	3	4	5
6	7	8	9	10

Table of contents

1. Safety instructions
2. Layout
3. Intended use
4. Technical data
5. Before starting the equipment
6. Operation
7. Cleaning, maintenance, storage, transport and ordering of spare parts
8. Disposal and recycling
9. Troubleshooting

GB**⚠ Important!**

When using the equipment, a few safety precautions must be observed to avoid injuries and damage. Please read the complete operating instructions and safety regulations with due care. Keep this manual in a safe place, so that the information is available at all times. If you give the equipment to any other person, hand over these operating instructions and safety regulations as well. We cannot accept any liability for damage or accidents which arise due to a failure to follow these instructions and the safety instructions.

1. Safety regulations**⚠ CAUTION!****Read all safety regulations and instructions.**

Any errors made in following the safety regulations and instructions may result in an electric shock, fire and/or serious injury.

Keep all safety regulations and instructions in a safe place for future use.

1. WEAR CLOSE FITTING, TOUGH WORK CLOTHING that will provide protection/without restricting your movements, such as long slacks or trousers, safety work shoes, heavy duty work gloves, hard hat, a safety face shield, or safety glasses for eye protection and a good grade of ear plugs or other sound barriers for hearing protection.
2. REFUEL IN A SAFE PLACE. Open fuel cap slowly to release any pressure which may have formed in fuel tank. Always wipe unit of fuel or oil spills before starting. To prevent a fire hazard, move at least 10 feet (3 meters) from fueling area before starting.
3. TURN UNIT OFF before setting it down, and also before installing or removing attachments.
4. KEEP ALL SCREWS AND FASTENERS TIGHT and the unit in good operating condition. Never operate this equipment if it is improperly adjusted or not completely and securely assembled.
5. KEEP HANDLES DRY, clean and free of fuel mixture.
6. STORE EQUIPMENT AWAY FROM POSSIBLE IGNITION SOURCES, such as gas-powered water heaters, clothes dryers, or oil-fired furnaces, portable heaters, etc.
7. ALWAYS KEEP the engine free of debris build-up.
8. OPERATION OF EQUIPMENT should always be restricted to mature and properly instructed individuals.
9. ALL PERSONS WITH RESPIRATORY PROBLEMS and persons operating blower in very dusty environments, should wear a dust particle mask at all times. Paper dust masks are available at most paint and hardware stores.
10. Use the blower vac only at reasonable times of the day. Do not use early in the morning or late in the evening when people could feel disturbed. Pay attention to your local noise control regulations.
11. Allow the machine to run at the lowest possible motor speed required to carry out the work.
12. Before you start work, use a brush and scraper to remove all dirt from the blower vac.
13. In case of dusty conditions, moisten the surface a little.
14. Use the full-length blower nozzle extension so that the air current can work near to the ground.
15. Watch out for children, pets, open windows etc. and blow the dirt safely away from them.

WHAT NOT TO DO

WARNING: DO NOT USE ANY OTHER FUEL than that recommended in your manual. Always follow instructions in the Fuel and Lubrication section of this manual. Never use gasoline unless it is properly mixed with 2-cycle engine lubricant. Permanent damage to engine will result, voiding manufacturer's warranty.

1. DO NOT SMOKE while refueling or operating equipment.
2. DO NOT OPERATE UNIT WITHOUT A MUFFLER and properly installed muffler shield.
3. DO NOT TOUCH or let your hands or body come in contact with a hot muffler or spark plug wire.
4. DUE TO THE DANGER of exhaust fumes, never operate blower in a confined or poorly ventilated area.
5. NEVER POINT BLOWER in the direction of people, animals, buildings, automobiles, or windows, etc.
6. DO NOT operate unit without inlet cover installed to prevent contact with impeller.
7. DO NOT set a hot engine down where flammable material is present.
8. DO NOT OPERATE UNIT FOR PROLONGED PERIODS. Rest periodically.
9. DO NOT OPERATE UNIT WHILE UNDER THE INFLUENCE OF ALCOHOL OR DRUGS.

WARNING: DO NOT ADD, REMOVE OR ALTER ANY COMPONENTS OF THIS PRODUCT. Doing so could cause personal injury and/or damage the unit voiding the manufacturer's warranty.

10. DO NOT operate your unit near or around flammable liquids or gases whether in or out of doors. An explosion and/or fire may result.
11. DO NOT WEAR loose clothing, scarfs, neck chains, unconfined long hair, and the like. Doing so could cause injury associated with objects being drawn into the rotating parts. Tie up long hair and fasten it, for example with a head scarf, cap, helmet, etc.
12. DO NOT refuel a running engine or an engine that is hot
13. Never allow children to use the blower vac.

Explanation of the warning signs on the equipment (see Fig. 9)

- 1 Read the operating instructions before you use the blower vac.
- 2 Wear safety goggles to protect your eyes and ear plugs to protect yourself from the noise.
- 3 Warning! Hazard!
- 4 Keep other people away.
- 5 Warning! Hot surface
- 6 Fuel pump
- 7 Never work if people – especially children - or animals are in the danger area.
- 8 Never allow the blower to run without the blower tube.
- 9 Sound power level with EC Directive 2000/14/EC!
- 10 After the unit is switched off, the motor continues to run for a short while.

2. Layout (Fig. 1)

1. Front handle
2. Ignition switch
3. Throttle lock
4. Throttle lever
5. Spark plug boot
6. Rear handle
7. Air filter housing
8. Starter handle
9. Tank cover
10. Suction/Blower lever
11. Debris bag
12. Fuel pump (primer)
13. Start flap (choke)
14. Blower/Suction tube
15. Blower housing
16. Suction extension
17. Carrying strap
18. Spark plug wrench
19. Blower/Suction tube securing screw
20. 2-stroke oil
21. Petrol/oil mixing bottle

3. Intended use

The garden blower vac is designed to handle only foliage and garden refuse such as grass and small branches. Any other use is prohibited.

The machine is to be used only for its prescribed purpose. Any other use is deemed to be a case of misuse. The user / operator and not the manufacturer will be liable for any damage or injuries of any kind caused as a result of this.

Please note that our equipment has not been designed for use in commercial, trade or industrial applications. Our warranty will be voided if the machine is used in commercial, trade or industrial businesses or for equivalent purposes.

4. Technical data

Engine type	2-stroke engine; air-cooled
Engine power (max.)	0.65 kW/0.9 hp
Displacement	25,4 ccm
Max. engine speed	8000 rpm
Ignition:	Electronic
Weight (with empty tank)	7,5 kg
Tank capacity	800 ml
Spark plug	RCJ6Y
Maximum air speed	210 km/h
Maximum delivery rate	650 m ³ /h
Mulching ratio	10:1
Debris bag volume	55 l
Vibration a _{hv}	21.27 m/s ²
Sound pressure level, L _{pA}	97 dB(A)
Sound power level, L _{WA}	111 dB(A)

GB

5. Before starting the equipment

5.1 Assembly

Blower tube assembly (Fig. 1a)

Push the blower tube (14) into the blower housing and secure the blower tube using the securing screw (19). Tighten the screws (19).

Suction extension assembly (Fig. 1b)

When in suction mode, the suction extension (16) can be assembled. For this, insert the suction extension (16) into the blow pipe (14).

Fitting the carrying strap (Fig. 2).

Attach the carrying strap clips to the eyelets on the handle provided for them.

Fitting the debris bag (3a – 3c)

Push the debris bag (11) over the debris bag adapter and secure it with the Velcro fastening (A) above the ridge (B) on the suction tube. Attach the debris bag to the lug (C) on the blower/suction tube.

5.2 Fuel and oil

Recommended fuels

Use only a mixture of normal unleaded petrol and special 2-stroke engine oil. Mix the fuel mixture as indicated on the fuel mixing table.

Please note: Do not use a fuel mixture which has been kept for longer than 90 days.

Please note: Do not use 2-stroke oil with a recommended mixing ration of 100:1. If inadequate lubrication causes engine damage, the manufacturer's engine warranty will be voided.

Please note: Only use containers designed and approved for the purpose to transport and store fuel.

Pour the correct quantities of petrol and 2-stroke oil into the mixing bottle (see scale printed on the bottle). Then shake the bottle well.

5.3 Fuel mixture table

Mixing procedure: 40 parts petrol to 1 part oil

Petrol	2-stroke oil
1 liter	25 ml
5 liters	125 ml

6. Operation

Please note that the statutory regulations governing noise abatement may differ from town to town.

6.1 Cold start (4a-4c)

Fill the tank with the required amount of oil/petrol mix. See "Fuel and oil".

1. Place the equipment safely and securely on the ground.
2. Set the ON/OFF switch (2) to "I" (Fig. 4a)
3. Press the throttle lever (4) until it locks (Fig. 4a)
4. Press the fuel pump (12) (Fig. 4b) 10 times.
5. Set the choke lever (13) to "♦".
6. Hold the equipment firmly by the handle.
7. Pull the starter cable out a short way until you feel resistance – it must be pulled evenly and quickly to start the engine. When the engine is running, set the choke lever to "♦".
8. Allow the engine to warm up for approx. 10 seconds.
9. Press the throttle lever lock. The throttle lever will jump back into its idling position.

NOTE: If engine fails to start after repeated attempts, refer to Troubleshooting section.

NOTE: Always pull starter rope straight out. Pulling starter at an angle will cause rope to rub against the eyelet. This friction will cause the rope to fray and wear more quickly. Always hold starter handle when rope retracts. Never allow rope to snap back from extended position. This could cause rope to snag or fray and also damage the starter assembly.

6.2 STARTING A WARM ENGINE (Engine has been stopped for no more than 15-20 minutes)

1. Pull starter rope again. Engine should start with ONE or TWO pulls. If engine fails to start after 6 pulls, repeat steps 2 through 6 (see Starting a cold engine).
2. If engine does not start, or starts and then stops after 5 rope pulls, follow procedure "STARTING A COLD ENGINE".

6.3 STOPPING THE ENGINE

Emergency Stopping Procedure. When it is necessary to stop blower engine immediately, DEPRESS the switch to stop.

Normal Stopping Method. For normal stopping, push down the throttle lock, the throttle trigger will back to the normal position and allow engine to return to idle speed. Then DEPRESS and HOLD the "0" switch until the engine stops completely.

6.4 Switching between suction and blower mode (Fig. 1 / Item 10)

You can either blow or suck with this equipment.

- To activate blower mode slide the suction/blower lever (10) to the right
- To activate suction mode slide the suction/blower lever (10) to the front.

6.5 BLOWER OPERATIONS (FIG. 5)

Your blower is designed to easily remove debris from patios, walkways, lawns, bushes, etc., and many hard to reach areas where debris may accumulate.

WARNING: Because of flying debris, always wear American National Standards Institute (A.N.S.I.) approved shielded safety glasses or face shield when operating blower.

Before using your blower, review Safety Precautions in your User Manual, and all regulations for operation of the unit. These precautions and regulations are for your protection.

CAUTION: Hold the blower so that hot exhaust does not damage clothing and is not inhaled by operator.

DO NOT operate the blower with other people or animals in the immediate vicinity. Allow a minimum of 30 feet (9 meters) between operator and other people or animals.

We recommend that a face mask be worn when operating blower in dusty areas.

Stand away from the debris, at a distance that will easily allow you to control the direction of blown debris. Never blow debris in direction of bystanders. To control velocity of airstream, blower can be operated at any speed between idle and full throttle. Experience with the unit will help you determine the amount of airflow necessary for each application.

6.6 VACUUM OPERATIONS

WARNING: NEVER OPERATE VACUUM WITHOUT VACUUM BAG PROPERLY ATTACHED, AS FLYING DEBRIS COULD CAUSE INJURY TO OPERATOR AND BYSTANDERS. ALWAYS MAKE SURE VACUUM BAG ZIPPER IS CLOSED BEFORE OPERATING UNIT.

Do not vacuum hot or burning materials (e.g. hot ash, glowing cigarettes) from outdoor fireplaces or barbecue pits. Always wait for these materials to be cool enough. Do not vacuum lighted smoking material such as discarded cigars or cigarettes. Do not operate unit near open flame.

CAUTION: This unit is designed to vacuum up debris such as leaves, small bits of paper, small twigs, weeds, grass clippings, etc. Do not use this unit for any other purpose.

Do not attempt to vacuum rocks, broken glass, bottles, tin cans or other such objects. Damage to impeller and unit as well as operator injury could result.

If vacuum tube is level with power unit horizontal, rocks or large objects may be drawn into tube, damaging the impeller.

To Operate Vacuum:

1. Follow correct starting procedures as explained in this manual.
2. Leave the motor running at idle speed. Attach the shoulder strap so that it lies over the left shoulder.
- CAUTION:** Do not allow shoulder harness to cover, block, or come in contact with exhaust outlet during operation. The muffler generates heat and could burn, melt, or damage harness strap.
3. Hold the appliance with the right hand on the upper handle and with the left hand on the front handle (Fig. 6).
4. For suction, swing the appliance from side to side.

CAUTION: To avoid clogging vacuum tube. DO NOT FORCE OR PLACE SUCTION TUBE INTO A PILE OF DEBRIS.

VACUUM TUBE CLOGGING

To Unclog Vacuum Tube:

Turn engine "OFF". Promptly compress vacuum bag while it is still inflated, expelling air out of the suction tube. This reverse airflow is usually sufficient to dislodge most obstructions. If the obstruction cannot be cleared by compressing vacuum bag, follow this procedure:

- Remove and inspect vacuum tubes.
- Carefully clean out nozzle.
- Reinstall vacuum tubes.

GB

7. Cleaning, maintenance, storage, transport and ordering of spare parts

Always switch off the equipment and pull out the spark boot plug before carrying out any maintenance work.

7.1 Cleaning

- Keep all safety devices, air vents and the motor housing free of dirt and dust as far as possible. Wipe the equipment with a clean cloth or blow it with compressed air at low pressure.
- We recommend that you clean the device immediately each time you have finished using it.
- Clean the equipment regularly with a moist cloth and some soft soap. Do not use cleaning agents or solvents; these could attack the plastic parts of the equipment. Ensure that no water can seep into the device.

VACUUM BAG CLEANING

A dirty bag will obstruct airflow, thereby reducing vacuum efficiency.

To Clean Bag:

1. Detach vacuum bag from unit.
2. Open zipper and remove contents.
3. Turn bag **INSIDE OUT** and shake vigorously. This procedure should be performed on a regular basis.
4. Turn bag **RIGHT SIDE OUT**, close zipper and attach to unit.

NOTE: If vacuum bag is unusually dirty, it should be washed by hand in warm water with a mild detergent. Rinse thoroughly. Let dry before using.

7.2 Maintenance of the air filter (Fig. 7a-7b)

Soiled air filters reduce the engine output by supply too little air to the carburetor.

Regular checks are therefore essential. The air filter should be checked after every 25 hours of use and cleaned if necessary. If the air contains a lot of dust, the air filter should be checked more frequently.

1. Remove the air filter cover (Fig. 7a)
2. Remove the filter element (Fig. 7b)
3. Clean the filter element by tapping it or blowing it.
4. Assemble in reverse order.

Please note: Never clean the air filter with petrol or inflammable solvents.

Maintenance of the spark plug (Fig. 8a-8b)

Spark plug gap = 0.6 mm. Tighten the spark plug with a torque of 12-15 Nm.

Check the spark plug for dirt and grime after 10 hours of operation and if necessary clean it with a copper wire brush. Thereafter service the spark plug after every 50 hours of operation.

1. Pull off the spark plug boot (Fig. 8a) by twisting.
2. Remove the spark plug (Fig. 8b) with the supplied spark plug wrench.
3. Assemble in reverse order.

7.3 Storage

Please note: If you fail to follow these instructions correctly, deposits may form on the interior of the carburetor which may result in the engine being more difficult to start or the machine suffering permanent damage.

1. Carry out all the maintenance work.
2. Drain the fuel out of the tank (use a conventional plastic petrol pump from a DIY store for this purpose).
3. When the fuel has been drained, start the engine.
4. Allow the engine to run at idling speed until it stops. This will clean the remainder of the fuel out of the carburetor.
5. Leave the machine to cool (approx. 5 minutes).
6. Remove the spark plug.
7. Place a teaspoon full of 2-stroke engine oil into the combustion chamber. Pull the starter cable several times carefully to wet the internal components with the oil. Fit the spark plug again.
8. Clean the exterior housing of the machine.
9. Store the machine in a cold, dry place where it is out of the reach of ignition sources and inflammable substances. Fertilizers and other chemical garden products often contain substances that accelerate the rate of corrosion of metals. Do not store the machine on or near fertilizers or other chemicals.

7.4 Restarting

1. Remove the spark plug.
2. Pull the starter cable several times to clean the oil residue out of the combustion chamber.
3. Clean the spark plug contacts or fit a new spark plug.
4. Fill the tank. See the section entitled Fuel and oil.
5. Complete steps 1-7 described under the point entitled "Starting the engine from cold".

7.5 Transport

To transport the machine, first empty the petrol tank as described in section 10 in the section entitled "Storage". Clean coarse dirt off the machine with a brush or hand brush. Dismantle the long handle.

7.6 Ordering replacement parts

Please quote the following data when ordering replacement parts:

- Type of machine
- Article number of the machine
- Identification number of the machine
- Replacement part number of the part required

For our latest prices and information please go to www.einhell.com.au

8. Disposal and recycling

The unit is supplied in packaging to prevent its being damaged in transit. This packaging is raw material and can therefore be reused or can be returned to the raw material system.

The unit and its accessories are made of various types of material, such as metal and plastic.

Defective components must be disposed of as special waste. Ask your dealer or your local council.

GB**9. Troubleshooting**

Fault	Possible cause	Troubleshooting
The machine does not start.	Correct starting procedure not followed.	Follow the instructions for starting.
	Sooted or damp spark plug	Clean the spark plug or replace it with a new one.
	Incorrect carburetor setting	Contact an authorized customer service outlet or send the machine to ISC-GmbH.
The machine starts but does not develop its full output.	Incorrect choke lever setting	Set choke lever to "ϕ"
	Soiled air filter	Clean the air filter
	Incorrect carburetor setting	Contact an authorized customer service outlet or send the machine to ISC-GmbH.
The engine does not run smoothly	Incorrect electrode gap on the spark plug	Clean the spark plug and adjust the electrode gap or fit a new spark plug.
	Incorrect carburetor setting	Contact an authorized customer service outlet or send the machine to ISC-GmbH.
Engine smokes excessively	Incorrect fuel mix	Use the correct fuel mix (see fuel mixing table)
	Incorrect carburetor setting	Contact an authorized customer service outlet or send the machine to ISC-GmbH.

The guarantee provided in this Guarantee Certificate is given by Einhell Australia Pty Limited
ACN 134 632 858 of 6/166 Wellington Street, Collingwood, Victoria (Telephone number 1300 922 271)
(Einhell Express Guarantee).

GUARANTEE CERTIFICATE

Dear Customer,

All of our products undergo strict quality checks. In the unlikely event that your device develops a fault, please contact our service department at the address shown on this guarantee certificate. Of course, if you would prefer to call us then we are also happy to offer our assistance under the service number printed below. Please note the following terms under which claims under the Einhell Express Guarantee can be made:

1. The benefits conferred by the Einhell Express Guarantee are in addition to all rights and remedies which you may be entitled to under the Australian Consumer Law, and any other statutory rights you may have under other applicable laws. This Einhell Express Guarantee does not exclude, restrict or modify any such rights or remedies.

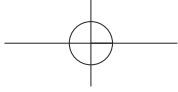
We do not charge you for the Einhell Express Guarantee.

2. Our goods come with guarantees that cannot be excluded under the Australian Consumer Law. You are entitled to a replacement or refund for a major failure and for compensation for any other reasonably foreseeable loss or damage. You are also entitled to have the goods repaired or replaced if the goods fail to be of acceptable quality and the failure does not amount to a major failure.
3. The Einhell Express Guarantee only covers problems caused by material or manufacturing defects, and our liability under the Einhell Express Guarantee is limited, at our discretion, to the rectification of these defects or replacement of the product. Please note that the product has not been designed for use in commercial, trade or industrial applications. Consequently, the Einhell Express Guarantee will not apply if the product is used in commercial, trade or industrial applications or for other equivalent activities.
4. The following are also excluded from the Einhell Express Guarantee: compensation for transport damage, damage caused by failure to comply with the installation/assembly instructions or damage caused by unprofessional installation, failure to comply with the operating instructions (e.g. connection to the wrong mains voltage or current type), misuse or inappropriate use (such as overloading of the product or use of non-approved tools or accessories), failure to comply with the maintenance and safety regulations, ingress of foreign bodies into the product (e.g. sand, stones or dust), effects of force or external influences (e.g. damage caused by the product being dropped) and normal wear resulting from proper operation of the product. The Einhell Express Guarantee will also not apply if any attempt is made to tamper with the product.
5. The Einhell Express Guarantee is valid for a period of 2 years starting from the purchase date of the product. Claims made under the Einhell Express Guarantee should be submitted before the end of this guarantee period and within two weeks of the defect being noticed. No claims under the Einhell Express Guarantee will be accepted if submitted after the end of this guarantee period. The original guarantee period remains applicable to the device even if repairs are carried out or parts are replaced. In such cases, the work performed or parts fitted will not result in an extension of the guarantee period for the Einhell Express Guarantee, and the Einhell Express Guarantee will not apply for the work performed or parts fitted. This also applies when an on-site service is used.
6. To make a claim under the Einhell Express Guarantee, please send the relevant product postage-free to the address shown below and enclose either the original or a copy of your sales receipt or another dated proof of purchase. It would help us if you could describe the nature of the problem in as much detail as possible. If the defect is covered by the Einhell Express Guarantee, your product will be repaired immediately and returned to you, or we will send you a new device (at our election).

Any costs incurred by you in making a claim under this Einhell Express Guarantee, unless specified otherwise in this guarantee certificate, must be borne by you.

Of course, we are also happy to offer a chargeable repair service for any defects which are not covered by the scope of the Einhell Express Guarantee or for products which are no longer covered by the Einhell Express Guarantee. To take advantage of this service, please send the product to our service address.

EINHELL AUSTRALIA PTY LTD
6/166 Wellington Street
Collingwood VIC 3066
Australia
Phone: 1300 922 271



EH 04/2012 (02)

