

/// PARKSIDE®

PASS 3.6 A1



GB IE CY

CORDLESS SCREWDRIVER

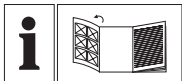
Operation and Safety Notes
Original operating instructions

GR CY

ΚΑΤΣΑΒΙΔΙ ΜΠΑΤΑΡΙΑΣ

Υποδείξεις χειρισμού και ασφαλείας
Πρωτότυπες Οδηγίες χρήσης

GB IE CY



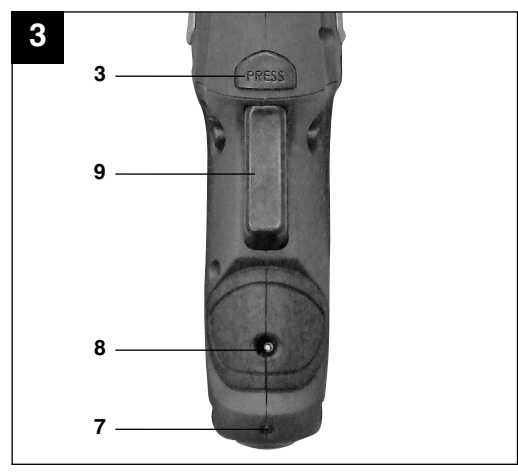
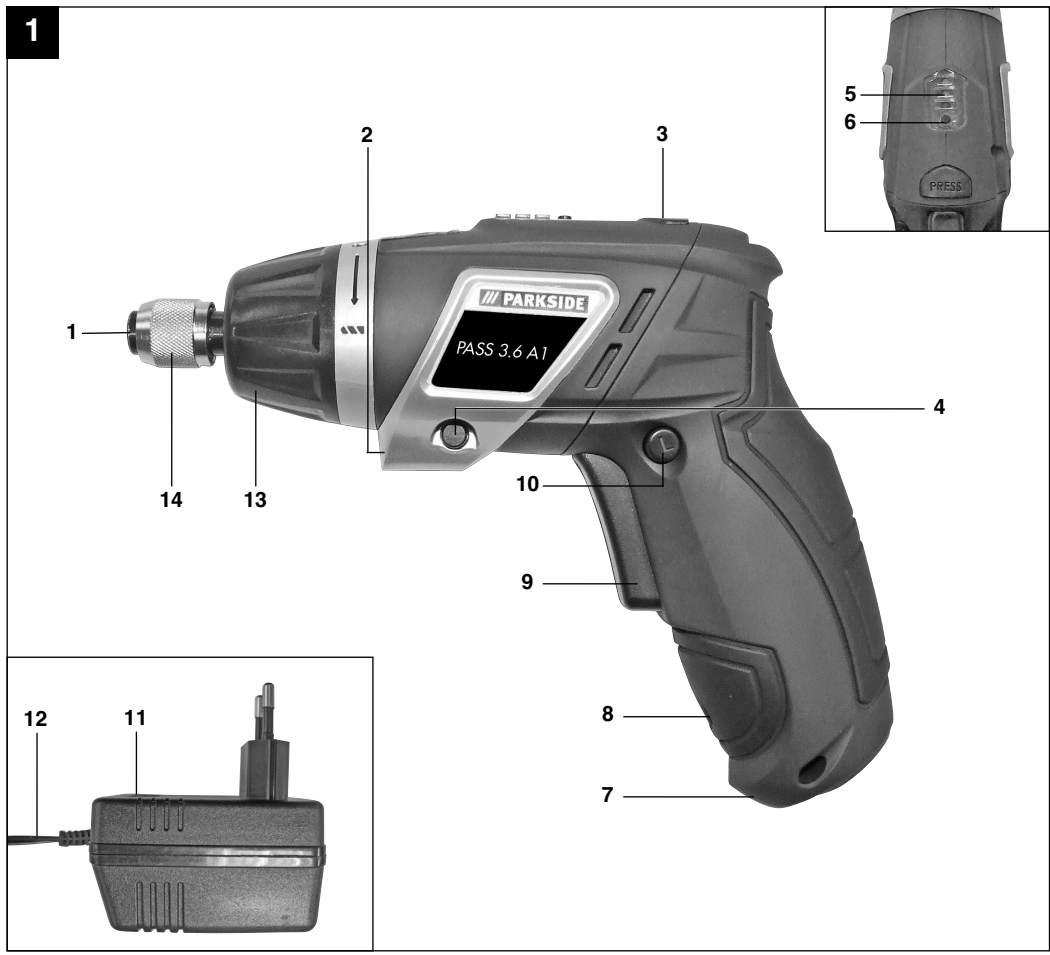
GB IE CY

Before reading, unfold the page containing the illustrations and familiarise yourself with all functions of the device.

GR CY

Πριν ξεκινήσετε την ανάγνωση, ανοίξτε τη σελίδα με τις εικόνες και εξοικειωθείτε με όλες τις λειτουργίες της συσκευής.

GB/IE/CY	Operation and Safety Notes	Page	5
GR/CY	Υποδείξεις χειρισμού και ασφαλείας	Σελίδα	18



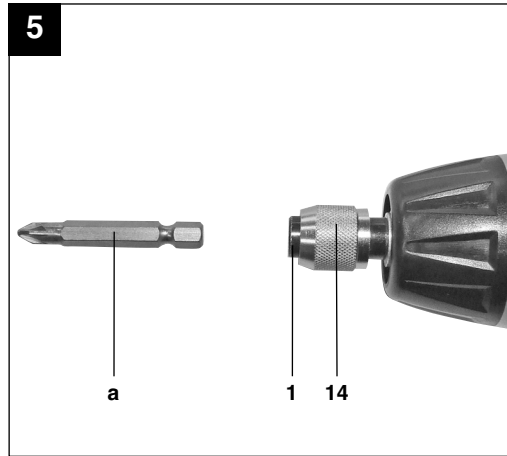
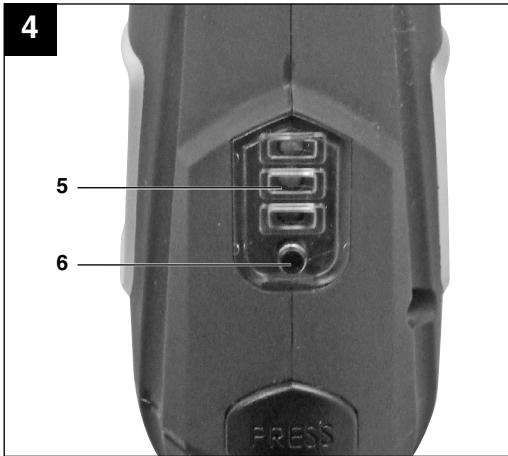


Table of contents:	Page
1. Introduction	7
2. Safety regulations	7-11
3. Layout	11
4. Items supplied.....	11
5. Intended use	12
6. Technical data	12-13
7. Before starting the equipment.....	13
8. Operation	13-14
9. Cleaning, maintenance and ordering of spare parts	15
10. Disposal and recycling.....	15
11. Declaration of conformity	16
12. Guarantee Certificate	17

The reprinting or reproduction by any other means, in whole or in part, of documentation and papers accompanying products is permitted only with the express consent of ISC GmbH.

Technical changes subject to change

GB/IE/
CY



“Caution - Read the operating instructions to reduce the risk of injury”

1. Introduction

⚠ Important!

When using equipment, a few safety precautions must be observed to avoid injuries and damage. Please read the complete operating manual with due care. Keep this manual in a safe place, so that the information is available at all times. If you give the equipment to any other person, give them these operating instructions as well. We accept no liability for damage or accidents which arise due to non-observance of these instructions and the safety information.

2. Safety regulations

General safety instructions for electric tools

⚠ CAUTION!

Read all safety regulations and instructions.

Any errors made in following the safety regulations and instructions may result in an electric shock, fire and/or serious injury.

Keep all safety regulations and instructions in a safe place for future use.

The term "electric tool" used in the safety regulations refers to electric tools operated from the mains power supply (with a power cable) and to battery operated electric tools (without a power cable).

1. Workplace safety

- **Keep your work area clean and well illuminated.** Untidy or unlit work areas can result in accidents.
- **Do not use this tool in a potentially explosive environment containing combustible liquids, gases or dust.** Electric tools generate sparks, which can in turn ignite dust or vapors.
- **Keep children and other persons away from the electric tool while it is being used.** Allowing yourself to get distracted can

cause you to lose control of the tool.

2. ELECTRICAL SAFETY

- **The tool's connector plug must be able to fit into the socket outlet. Do not modify the plug in any way! Do not use adapter plugs in conjunction with electrically grounded tools.** Unmodified plugs and matching socket outlets reduce the risk of an electric shock.
 - **Avoid touching grounded surfaces, such as those of pipes/tubes, heaters, cookers and refrigerators.** There is an increased risk of getting an electric shock if you are electrically grounded.
 - **Keep the tool away from rain and moisture/wet conditions.** Penetration of water into an electric tool increases the risk of an electric shock.
 - **Do not use the cable to carry the tool, hang it up or pull the plug out of the socket. Keep the cable away from sources of heat, oil, sharp edges and moving tool parts.** Damaged or tangled cable increases the risk of an electric shock.
 - **If you intend to use an electric tool outdoors, ensure that you only use extension cable that is approved for outdoor applications.** Using extension cable that is approved for outdoor applications reduces the risk of an electric shock.
 - **If operation of the electric tool in a damp environment can not be avoided, use a earth-leakage circuit-breaker.** The earth-leakage circuit-breaker reduces the risk of an electric shock.
- ## 3. PERSONAL SAFETY
- **Be alert, work conscientiously and exercise appropriate caution when using the electric tool. Do not use the tool if you are tired or are under the influence of drugs/medication or alcohol.** One moment of carelessness or lack of attention when using the electric tool can cause serious bodily injury!
 - **Always wear personal protective**

GB/IE/
CY

equipment (PPE), including safety goggles.

Wearing personal protective equipment such as a dust mask, non-slip footwear, protective headgear and ear muffs (depending upon the type of electric tool and the particular application) reduces the risk of sustaining injury.

- **Make sure that the tool cannot start up accidentally. Ensure that the electric tool is switched off before you connect the tool to the power supply and/or insert the battery, or pick up or carry the tool.**

Physically touching the switch with your finger when carrying the tool or connecting the tool to the power supply switched on can lead to accidents.

- **Remove adjusting tools/wrench(es) prior to switching on the power tool.**

A tool or wrench that is positioned inside a rotating power tool part can cause injury.

- **Avoid abnormal working postures. Make sure you stand squarely and keep your balance at all times.**

This way, you will be able to have better control over the tool in unexpected situations.

- **Wear suitable clothes. Never wear loose fitting clothes or jewelry. Keep hair, clothes and gloves away from moving parts.**

Loose clothing, dangling jewelry and long hair can be caught by moving parts.

- **If dust extraction and dust collection devices can be mounted, ensure that these are connected and are properly used.**

The use of a dust extraction system can reduce the danger posed by dust.

4. Using the treatment of electric tools

- **Do not overload your tool. Only use suitable electric tools to perform your work.**

Using the right electric tool allows you to work better and safer within the tool's quoted capacity range.

- **Do not use an electric tool whose switch is defective.**

An electric tool that no longer can be switched on or off is dangerous and must be repaired.

- **Pull the plug out of the socket and/or remove the battery before making any adjustments to the tool, changing accessories or put the tool down.**

This precaution eliminates the possibility of inadvertently starting the tool.

- **When not in use, store electric tools out of the reach of children. Do not allow those persons to use this tool who are unfamiliar with it or who have not read these instructions.**

Electric tools are dangerous when they are used by inexperienced persons.

- **Take good care of your tool. Check that moving parts properly function and do not jam, that parts are not broken off or damaged in any way and that the tool can be used to its full capacity. Have damaged parts repaired prior to using the tool.**

The cause of many accidents can be traced back to poorly maintained electric tools.

- **Keep your blades sharp and clean.** Properly maintained blades with sharp edges jam less frequently and are easier to use.

- **Make sure to use electric tools, accessories, attachments, etc. in accordance with these instructions. Take the conditions in your work area and the job in hand into account.**

Using electric tools for applications other than those intended can lead to dangerous situations.

5. Usage and treatment of battery powered electric tools

- **Only charge the batteries in chargers that are recommended by the manufacturer.** A charger that is designed for a certain type of batteries may pose a fire risk if it is used with other types of batteries.

- **Use only the correct batteries in the electric tools.** The use of other batteries may result in injuries and a fire risk.

- **Keep unused batteries away from paper**

clips, coins, keys, nails, screws and other metallic objects that could cause a short circuit between the contacts. A short circuit between the battery contacts may cause burns or a fire.

- **In case of incorrect use, fluid may escape from the battery. Avoid contact with it. If you touch it by mistake, rinse the affected area with water. If you get the fluid in your eyes, also seek medical advice.** Leaking battery fluid can cause skin irritation or burns.

6. SERVICE

- **Have your tool repaired only by authorized specialists using original replacement parts.**

This will ensure that your tool remains safe to use.

Hold the equipment by the insulated handles when carrying out work during which the screw or the plug-in tool could strike concealed power cables. Contact with a live cable may also make the metal parts of the equipment live and cause an electric shock.

Additional safety instructions

We pay a great deal of attention to the design of every battery pack to ensure that we supply you with batteries which feature maximum power density, durability and safety. The battery cells have a wide range of safety devices. Each individual cell is initially formatted and its electrical characteristic curves are recorded. These data are then used exclusively to be able to assemble the best possible battery packs. **Despite all the safety precautions, caution must always be exercised when handling batteries. The following points must be obeyed at all times to ensure safe use.**

Safe use can only be guaranteed if undamaged cells are used. Incorrect handling can cause cell damage.

Important: Analyses confirm that incorrect use and poor care are the main causes of the damage caused by high performance batteries.

Information about the battery

- The battery pack supplied with your cordless tool is not charged. The battery pack has to be charged before you use the tool for the first time.
- For optimum battery performance avoid low discharge cycles. Charge the battery pack frequently.
- Store the battery pack in a cool place, ideally at 15°C and charged to at least 40%.
- Lithium-ion batteries are subject to a natural ageing process. The battery pack must be replaced at the latest when its capacity falls to just 80% of its capacity when new. Weakened cells in an aged battery pack are no longer capable of meeting the high power requirements and therefore pose a safety risk.
- Do not throw battery packs into an open fire. There is a risk of explosion!
- Do not ignite the battery pack or expose it to fire.
- **Do not exhaustively discharge batteries.** Exhaustive discharge will damage the battery cells. The most common cause of exhaustive discharge is lengthy storage or non-use of partly discharged batteries. Stop working as soon as the performance of the battery falls noticeably or the electronic protection system triggers. Place the battery pack in storage only after it has been fully charged.
- **Protect batteries and the tool from overloads.** Overloads will quickly result in overheating and cell damage inside the battery housing without this overheating actually being apparent externally.
- **Avoid damage and shocks.** Replace batteries which have been dropped from a height of more than one meter or which have been exposed to violent shocks without delay, even if the housing of the battery pack appears to be undamaged. The battery cells inside the battery may have suffered serious damage. In this respect,

GB/IE/
CY

please also read the waste disposal information.

- If the battery pack suffers overloading and overheating, the integrated protective cut-off will switch off the equipment for safety reasons. **Important.** Do not press the ON/OFF switch any more if the protective cut-off has actuated. This may damage the battery pack.
- Use only original battery packs. The use of other batteries may result in injuries, explosion and a fire risk.

Information on chargers and the charging process

- Do not use the supplied battery charger to charge non-rechargeable batteries.
- Please check the data marked on the rating plate of the battery charger. Be sure to connect the battery charger to a power supply with the voltage marked on the rating plate. Never connect it to a different mains voltage.
- Protect the battery charger and its cable from damage and sharp edges. Have damaged cables repaired without delay by a qualified electrician.
- This battery charger is not designed to be used by people (including children) with limited physical, sensory or mental capacities or those with no experience and/or knowledge unless they are supervised by a person who is responsible for their safety or they have received instructions from such a person in how to use the equipment safely.
- Children must always be supervised in order to ensure that they do not play with the equipment.
- Do not use damaged battery chargers.
- Do not use the supplied battery charger to charge other cordless tools.
- In heavy use the battery pack will become warm. Allow the battery pack to cool to room temperature before commencing with the charging.
- **Do not over-charge batteries.** Do not exceed the maximum charging times. These charging times only apply to discharged batteries. Frequent insertion of a

charged or partly charged battery pack will result in over-charging and cell damage. Do not leave batteries in the charger for days on end.

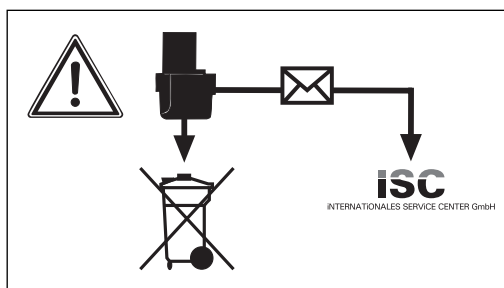
- **Never use or charge batteries if you suspect that the last time they were charged was more than 12 months previously.** There is a high probability that the battery pack has already suffered dangerous damage (exhaustive discharge).
- Charging batteries at a temperature below 10°C will cause chemical damage to the cell and may cause a fire.
- Do not use batteries which have heated during the charging process, as the battery cells may have suffered dangerous damage.
- Do not use batteries which have suffered curvature or deformation during the charging process or which show other non-typical symptoms (gassing, hissing, cracking,...)
- Never fully discharge the battery pack (recommended depth of discharge max. 80%) A complete discharge of the battery pack will lead to premature ageing of the battery cells.
- Never charge the batteries unsupervised.

Protection from environmental influences

- Wear suitable work clothes. Wear safety goggles.
- **Protect your cordless tool and the battery charger from moisture and rain.** Moisture and rain can cause dangerous cell damage.
- Do not use the cordless tool or the battery charger near vapors and inflammable liquids.
- Use the battery charger and cordless tools only in dry conditions and an ambient temperature of 10-40°C.
- Do not keep the battery charger in places where the temperature is liable to reach over 40°C. In particular, do not leave the battery charger in a car that is parked in the sunshine.
- **Protect batteries from overheating.** Overloads, over-charging and exposure to direct sunlight will result in overheating and

cell damage. Never charge or work with batteries which have been overheated – replace them immediately if possible.

- **Storage of batteries, battery chargers and cordless tools.** Store the charger and your cordless tool only in dry places with an ambient temperature of 10-40°C. Store your lithium-ion battery pack in a cool, dry place at a temperature of 10-20°C. Protect them from humidity and direct sunlight. Only place fully charged batteries in storage (charged at least 40%).
- Prevent the lithium-ion battery pack from freezing. Battery packs which were stored below 0°C for more than 60 minutes must be disposed of.
- When handling batteries beware of electrostatic charge: Electrostatic discharges cause damage of the electronic protection system and the battery cells. Avoid electrostatic charging and never touch the battery poles.



Rechargeable batteries and cordless electric machines and tools contain materials that are potentially harmful to the environment. Never place any cordless electric machines or tools in your household refuse. When cordless electric machines or tools become defective or worn, remove the rechargeable batteries and return them to iSC GmbH (address: Eschenstrasse 6, D-94405, Germany). If the rechargeable batteries cannot be removed, return the complete cordless machine or tool. You can then be sure that the equipment will be correctly disposed of by the manufacturer.

When shipping or disposing of batteries and cordless tools, always ensure that they are packed individually in plastic bags to prevent short circuits and fires.

Do not lose this safety information.

3. Layout (Fig. 1)

1. Bit chuck
2. LED lamp
3. Locking button
4. ON/OFF switch for lamp
5. Battery capacity indicator
6. Button for battery capacity indicator
7. Charging control lamp
8. Charging connection
9. ON/OFF switch
10. Clockwise/Counter-clockwise selector switch
11. Battery charger
12. Charging cable
13. Torque selector
14. Locking sleeve

4. Items supplied

Take all parts out of the packaging and check that they are complete.

- Cordless Screwdriver PASS 3.6 A1
- Battery charger
- 26 Bits
- Bit holder
- Case
- Operating Instructions

GB/IE/
CY

5. Intended use

The cordless screwdriver is designed for tightening and loosening screws.

The equipment is to be used only for its prescribed purpose. Any other use is deemed to be a case of misuse. The user/operator and not the manufacturer will be liable for any damage or injuries caused as a result thereof.

Please note that our equipment has not been designed for use in commercial, trade or industrial applications. Our warranty will be voided if the equipment is used in commercial, trade or industrial businesses or for equivalent purposes.

6. Technical data

Motor power supply:	3.6 V DC
Idling speed:	200 rpm
Clockwise/Counter-clockwise:	Yes
Battery charger output voltage:	6,8 V DC
Battery charger output current:	550 mA
Battery charger supply voltage:	230V ~ 50 Hz
Charging time:	3 hours
Battery type:	Li-Ion/1.5 Ah
Weight:	0.4 kg
LED Class	1

Sound and vibration

Sound and vibration values were measured in accordance with EN 60745.

Sound pressure level L_{pA}	62 dB(A)
Uncertainty K_{pA}	3 dB
Sound power level L_{WA}	73 dB(A)
Uncertainty K_{WA}	3 dB

Wear ear-muffs.

The impact of noise can cause damage to hearing.

Total vibration values (vector sum of three directions) determined in accordance with EN 60745.

Screws without hammer action

Vibration emission value $a_h \leq 2.5 \text{ m/s}^2$

Tolerance $K = 1.5 \text{ m/s}^2$

Warning!

The specified vibration value was established in accordance with a standardized testing method. It may change according to how the electric equipment is used and may exceed the specified value in exceptional circumstances.

The specified vibration value can be used to compare the equipment with other electric power tools.

The specified vibration value can be used for initial assessment of a harmful effect.

Keep the noise emissions and vibrations to a minimum.

- Only use appliances which are in perfect working order.
- Service and clean the appliance regularly.
- Adapt your working style to suit the appliance.
- Do not overload the appliance.
- Have the appliance serviced whenever necessary.
- Switch the appliance off when it is not in use.

- Wear protective gloves.

7. Before starting the equipment

⚠ Caution:

Be sure to read the following information before you use your cordless screwdriver for the first time:

1. Only charge the battery pack using the charger (11) supplied.
2. Only use screwdriver bits which are in perfect working order and appropriate.
3. When screwing into walls or partitions, test these for electrical, gas or water connections.

8. Operation

8.1 Charging the battery pack (Fig. 1)

The battery pack is protected from exhaustive discharge. An integrated protective circuit automatically switches off the equipment when the battery pack is flat. In this case the bit chuck (1) will cease to turn.

⚠ Caution:

Do not press the ON/OFF switch (9) any more, if the protective circuit has actuated. This may damage the battery pack.

1. Check that your mains voltage is the same as that marked on the rating plate of the battery charger. Plug the battery charger (11) in the plug socket and connect the charging cable (12) to the charging connection (8). The charging process starts as soon as the charging cable is connected to the charging connection.
2. The charging control lamp (7) indicates that the battery is being charged.
3. The charging control lamp (7) goes out when charging is completed.

⚠ Caution:

The handle may become a little warm during the charging process. This is normal.

If the battery pack fails to charge, please check

- whether there is voltage at the socket-outlet.
- whether there is good contact at the charging contacts of the battery charger (11).

If the battery still fails to charge, send

- the battery charger (11)
- and the screwdriver

to our customer services department.

Timely recharging of the battery pack will help to prolong its lifespan. You must recharge the battery pack when you notice that the power of the screwdriver drops.

8.2 Clockwise/Counter-clockwise changeover switch (Fig. 2/Item 10)

The clockwise/counter-clockwise changeover switch (10) above the ON/OFF switch (9) is for setting the direction of rotation of the cordless screwdriver and for preventing the cordless screwdriver from being switched on inadvertently. You can select between clockwise and counter-clockwise rotation.

⚠ Important.

Change the direction of rotation only when the equipment is at a standstill. If you fail to observe this point, the gearing may become damaged. When the clockwise/counter-clockwise changeover switch (10) is in the middle position, the ON/OFF switch (9) is blocked.

Direction	Switch position
Clockwise	"R" pressed
Counter-clockwise	"L" pressed

8.3 ON/OFF switch (Fig. 2/Item 9)

Press the ON/OFF switch (9) to switch the cordless screwdriver on. Release the ON/OFF switch to switch off the tool.

8.4 LED lamp (Fig. 1/Item 2)

The LED lamp (2) can be used in poor lighting conditions to illuminate the area where you want to screw. To switch ON, press the switch (4) and to switch OFF, press the switch (4) again.

GB/IE/
CY**8.5 Handle adjustment (Fig. 1.2/Item 3)**

The screwdriver can be locked into 2 different angle settings. To do so, press the locking button (3) and move the screwdriver into the desired position. Then release the locking button (3).

⚠ Caution:

Before you switch on the screwdriver, make sure that it is correctly locked in the required angle position.

8.6 Battery capacity indicator (Fig. 4/Item. 5)

Press the button for the battery capacity indicator (6). The battery capacity indicator (5) indicates the charge state of the battery on 3 coloured LEDs.

All LEDs are lit:

The battery is fully charged.

The yellow and red LED illuminate:

The battery has an adequate remaining charge.

Red LED:

The battery is discharged, it requires charging.

8.7 Changing the tool (Fig. 5)**⚠ Important.**

Set the clockwise/counter-clockwise changeover switch (10) to its centre position whenever you carry out any work (for example changing the tool, maintenance work, etc.) on the cordless screwdriver.

- Pull back and hold the locking sleeve (14).
- Insert the bit (a) into the bit chuck (1) and let go of the locking sleeve (14)
- Check that it is properly secure by pulling the tool.
- For removal of bits (a), pull back the locking sleeve (14) and hold it firmly.
- Remove the bit (a) and let go of the locking sleeve.

8.8 Torque Setting (Fig. 1/Item 13)**⚠ Caution:**

Only adjust the torque when the appliance is at a standstill.

The cordless screwdriver is fitted with a mechanical torque selector.

The torque for each particular screw size is adjustable at the torque selector (13). The required torque is dependent upon several factors:

- the type and hardness of the material to be worked with.
- the type and length of the screws used.
- the physical burden placed on the screw connection.

When the torque is reached, this is indicated by the clutch being released.

8.9 Screws

It is advisable to use self-centering screws (e.g. Torx, Philips head screws) as these will enable you to work safely and reliably. Always make sure that the bit used is of the same size and shape as the screw.

8.10 Screwdriver overloaded

If the screwdriver is overloaded, the automatic safety switch turns the device off. After a few seconds the screwdriver can be used again.

9. Cleaning, maintenance and ordering of spare parts

⚠ Caution:

Always pull out the mains power plug before starting any cleaning work.

9.1 Cleaning

- Keep all safety devices, air vents and the motor housing free of dirt and dust as far as possible. Wipe the appliance with a clean cloth or blast it with compressed air at low pressure.
- We recommend cleaning the appliance immediately after every use.
- Clean the appliance regularly with a damp cloth and some soft soap. Do not use cleaning agents or solvents; these may be aggressive to the plastic parts in the appliance. Ensure that no water can get into the interior of the tool.

9.2 Maintenance

There are no other parts inside the equipment which require additional maintenance.

9.3 Ordering replacement parts:

Please provide the following information on all orders for spare parts:

- Model/type of the equipment
- Article number of the equipment
- ID number of the appliance

For our latest prices and information please go to www.isc-gmbh.info

10. Disposal and recycling

The equipment is supplied in packaging to prevent it from being damaged in transit. The raw materials in this packaging can be reused or recycled. The appliance and its accessories are made of various types of material, such as metal and plastic. Defective components must be disposed of as special waste. Ask your dealer or your local council.



For EU countries only

Never place any electric tools in your household refuse.

To comply with European Directive 2002/96/EC concerning old electric and electronic equipment and its implementation in national laws, old electric tools have to be separated from other waste and be disposed of in an environment-friendly fashion, e.g. by taking to a recycling depot.

Recycling alternative to returning the electrical equipment:

The owner of the electrical equipment is obligated to arrange for its proper disposal if he no longer wants to keep the equipment in his possession and does not want to return it. In this case the old equipment can be taken to a recycling depot where it is disposed of in accordance with national recycling and waste disposal laws. This does not apply to accessory parts and aids which supplement the old equipment and contain no electrical parts.

GB/IE/
CY

11. Declaration of conformity

Einhell Germany AG · Wiesenweg 22 · D-94405 Landau/Isar



Konformitätserklärung

- erklärt folgende Konformität gemäß EU-Richtlinie und Normen für Artikel
 explains the following conformity according to EU directives and norms for the following product
 déclare la conformité suivante selon la directive CE et les normes concernant l'article
 dichiara la seguente conformità secondo la direttiva UE e le norme per l'articolo
 verklaart de volgende overeenstemming conform EU richtlijn en normen voor het product
 declara la siguiente conformidad a tenor de la directiva y normas de la UE para el artículo
 declara a seguinte conformidade, de acordo com a directiva CE e normas para o artigo
 attesterer følgende overensstemmelse i medfør af EU-direktiv samt standarder for artikel
 förklarar följande överensstämmelse enl. EU-direktiv och standarder för artikeln
 vakuuttaa, että tuote täyttää EU-direktiivin ja standardien vaatimukset
 tõendab toote vastavust EL direktiivile ja standarditele
 vydává následující prohlášení o shodě podle směrnice EU a norem pro výrobek
 potrjuje sledeću skladnost s smernico EU in standardi za izdelek
 vydáva nasledujúce prehlásenie o zhode podľa smernice EÚ a noriem pre výrobok
 a cikkekhez az EU-irányvonal és Normák szerint a következő konformitást jelenti ki
 deklaruje zgodność wymienionego poniżej artykułu z następującymi normami na podstawie dyrektywy WE.
 декларира съответното съответствие съгласно Директива на ЕС и норми за артикул
 paskaidro šādu atbilstību ES direktīvai un standartiem
 arībūdina šj atitikimā EU reikalavimams ir prekės normoms
 declară următoarea conformitate conform directivei UE și normelor pentru articolul
 δηλώνει την ακόλουθη συμμόρφωση σύμφωνα με την Οδηγία ΕΚ και τα πρότυπα για το προϊόν
 potvrđuje sljedeću usklađenost prema smjernicama EU i normama za artikl
 Izjava o sukladnosti za ovaj proizvod dostupna je na internet stranici www.lidl.hr.
 potvrđuje sljedeću usklađenost prema smjernicama EU i normama za artikl
 potvrđuje sledeću usklađenost prema smernicama EZ i normama za artikal
 следующим удостоверяется, что следующие продукты соответствуют директивам и нормам ЕС
 проголошує про зазначену нижче відповідність виробу директивам та стандартам ЄС на виріб
 Ürünü ile ilgili AB direktifleri ve normları gereğince aşağıda açıklanan uygunluğu belirtir
 erklærer følgende samsvar i henhold til EU-direktivet og standarder for artikkel
 Lýsir uppfyllingu EU-reglna og annarra staða vöru

Akkuschrauber PASS 3,6 A1 / Ladegerät LG PASS 3,6 A1 (Parkside)

- | | |
|---|--|
| <input type="checkbox"/> 87/404/EC_2009/105/EC | <input checked="" type="checkbox"/> 2006/42/EC |
| <input type="checkbox"/> 2005/32/EC_2009/125/EC | <input type="checkbox"/> Annex IV
Notified Body:
Notified Body No.:
Reg. No.: |
| <input type="checkbox"/> 2006/95/EC | |
| <input type="checkbox"/> 2006/28/EC | |
| <input checked="" type="checkbox"/> 2004/108/EC | <input type="checkbox"/> 2000/14/EC_2005/88/EC |
| <input type="checkbox"/> 2004/22/EC | <input type="checkbox"/> Annex V |
| <input type="checkbox"/> 1999/5/EC | <input type="checkbox"/> Annex VI
Noise: measured L_{WA} = dB (A); guaranteed L_{WA} = dB (A)
P = KW; L/Ø = cm
Notified Body: |
| <input type="checkbox"/> 97/23/EC | |
| <input type="checkbox"/> 90/396/EC_2009/142/EC | |
| <input type="checkbox"/> 89/686/EC_96/58/EC | <input type="checkbox"/> 2004/26/EC
Emission No.: |
| <input checked="" type="checkbox"/> 2011/65/EC | |

Standard references: EN 60745-1; EN 60745-2-2; EN 55014-1;
EN 55014-2; EN 60335-1; EN 60335-2-29; EN 61000-3-2; EN 61000-3-3

Landau/Isar, den 22.09.2011

Weichselgartner/General Manager

Unger/Product-Management

First CE: 08
Art.-No.: 45.134.26 I.-No.: 11031
Subject to change without notice

Archive-File/Record: NAPR004730
Documents registrar: Georg Riedel
Wiesenweg 22, D-94405 Landau/Isar

12. GUARANTEE CERTIFICATE

Dear Customer,

All of our products undergo strict quality checks to ensure that they reach you in perfect condition. In the unlikely event that your device develops a fault, please contact our service department at the address shown on this guarantee card. Of course, if you would prefer to call us then we are also happy to offer our assistance under the service number printed below. Please note the following terms under which guarantee claims can be made:

1. These guarantee terms cover additional guarantee rights and do not affect your statutory warranty rights. We do not charge you for this guarantee.
2. Our guarantee only covers problems caused by material or manufacturing defects, and it is restricted to the rectification of these defects or replacement of the device. Please note that our devices have not been designed for use in commercial, trade or industrial applications. Consequently, the guarantee is invalidated if the equipment is used in commercial, trade or industrial applications or for other equivalent activities. The following are also excluded from our guarantee: compensation for transport damage, damage caused by failure to comply with the installation/assembly instructions or damage caused by unprofessional installation, failure to comply with the operating instructions (e.g. connection to the wrong mains voltage or current type), misuse or inappropriate use (such as overloading of the device or use of non-approved tools or accessories), failure to comply with the maintenance and safety regulations, ingress of foreign bodies into the device (e.g. sand, stones or dust), effects of force or external influences (e.g. damage caused by the device being dropped) and normal wear resulting from proper operation of the device. This applies in particular to rechargeable batteries for which we nevertheless issue a guarantee period of 12 months.

The guarantee is rendered null and void if any attempt is made to tamper with the device.
3. The guarantee is valid for a period of 3 years starting from the purchase date of the device. Guarantee claims should be submitted before the end of the guarantee period within two weeks of the defect being noticed. No guarantee claims will be accepted after the end of the guarantee period. The original guarantee period remains applicable to the device even if repairs are carried out or parts are replaced. In such cases, the work performed or parts fitted will not result in an extension of the guarantee period, and no new guarantee will become active for the work performed or parts fitted. This also applies when an on-site service is used.
4. In order to assert your guarantee claim, please send your defective device postage-free to the address shown below. Please enclose either the original or a copy of your sales receipt or another dated proof of purchase. Please keep your sales receipt in a safe place, as it is your proof of purchase. It would help us if you could describe the nature of the problem in as much detail as possible. If the defect is covered by our guarantee then your device will either be repaired immediately and returned to you, or we will send you a new device.

Of course, we are also happy offer a chargeable repair service for any defects which are not covered by the scope of this guarantee or for units which are no longer covered. To take advantage of this service, please send the device to our service address.

Einhell UK Ltd
Morpeth Wharf
Twelve Quays
Birkenhead, Wirral
CH41 1LF
Tel. 0151 6491500, Fax 0151 6491501

GR/
CY**Περιεχόμενα****Σελίδα**

1. Εισαγωγή	20
2. Υποδείξεις ασφαλείας	20-25
3. Περιγραφή της συσκευής	25
4. Συμπαραδιδόμενα	25
5. Ενδειγμένη χρήση.....	25-26
6. Τεχνικά χαρακτηριστικά	26
7. Πριν τη θέση σε λειτουργία.....	26-27
8. Χειρισμός.....	27-28
9. Καθαρισμός, συντήρηση και παραγγελία ανταλλακτικών	29
10. Διάθεση στα απορρίμματα και επαναχρησιμοποίηση.....	29
11. Δήλωση Συμμόρφωσης.....	30
12. Εγγύηση	31

Η ανατύπωση ή άλλη αναπαραγωγή τεκμηριώσεων και συνοδευτικών φυλλαδίων των προϊόντων της εταιρείας, ακόμη και σε αποσπάσματα, επιτρέπεται μόνο μετά από ρητή έγκριση της εταιρείας ISC GmbH.

18

Ο κατασκευαστής διατηρεί το δικαίωμα τεχνικών αλλαγών



„Προειδοποίηση – Για τη μείωση του κινδύνου τραυματισμού διαβάστε την Οδηγία χρήσης“

1. Εισαγωγή

⚠ Προσοχή!

Κατά τη χρήση των συσκευών πρέπει να λαμβάνονται ορισμένα μέτρα ασφαλείας προς αποφυγή τραυματισμών και ζημιών. Για το λόγο αυτό παρακαλούμε να διαβάσετε προσεκτικά αυτή την Οδηγία χρήσης. Φυλάξτε την καλά για να έχετε τις πληροφορίες στη διάθεσή σας ανά πάσα στιγμή. Εάν δώσατε τη συσκευή σε άλλα άτομα, παρακαλούμε να τους παραδώσετε και αυτή την Οδηγία χρήσης. Δεν αναλαμβάνουμε καμία ευθύνη για ατυχήματα που οφείλονται στη μη τήρηση αυτής της Οδηγίας και των υποδείξεων ασφαλείας.

2. Υποδείξεις ασφαλείας

Γενικές υποδείξεις ασφαλείας για ηλεκτρικές συσκευές

⚠ ΠΡΟΣΟΧΗ!

Διαβάστε όλες τις Υποδείξεις ασφαλείας και τις Οδηγίες.

Εάν δεν ακολουθήσετε τις Υποδείξεις ασφαλείας και τις Οδηγίες δεν αποκλείονται ηλεκτροπληξία, πυρκαγιά και/ή σοβαροί τραυματισμοί.

Φυλάξτε προσεκτικά όλες τις Υποδείξεις ασφαλείας και τις Οδηγίες για το μέλλον.

Ο όρος „Ηλεκτρικό εργαλείο“ που αναφέρεται στις Υποδείξεις ασφαλείας αναφέρεται στα εργαλεία που λειτουργούν με ρεύμα δικτύου (με καλώδιο) και στα εργαλεία που λειτουργούν με μπαταρία (χωρίς καλώδιο).

1. Ασφάλεια στην θέση εργασίας

- **Να διατηρείτε τη θέση εργασίας σας καθαρή και καλά φωτισμένη.** Όταν δεν υπάρχει τάξη ή επαρκής φωτισμός δεν μπορούν να αποκλειστούν ατυχήματα.
- **Μην εργάζεστε με τη συσκευή αυτή σε κρηκτικό περιβάλλον, στο οποίο βρίσκονται εύφλεκτα υγρά, αέρια και σκόνες.**

Τα ηλεκτρικά εργαλεία δημιουργούν σπινθήρες που μπορούν να αναφλέξουν τη σκόνη ή τους ατμούς.

- **Κατά τη διάρκεια της εργασίας με τα ηλεκτρικά εργαλεία να κρατάτε παιδιά και άλλα άτομα μακριά από το χώρο εργασίας.**

Σε περίπτωση που δεν είστε καλά συγκεντρωμένος/η μπορείτε να χάσετε τον έλεγχο επί της συσκευής.

2. ΗΛΕΚΤΡΙΚΗ ΑΣΦΑΛΕΙΑ

- **Το φως της συσκευής πρέπει να ταιριάζει στη πρίζα. Με κανένα τρόπο δεν επιτρέπεται οποιαδήποτε μεταβολή στο φως.**

Μη χρησιμοποιείτε φως με αντάπτορες μαζί με γειωμένες συσκευές. Αμετάβλητα φως και πρίζες που ταιριάζουν μειώνουν τον κίνδυνο μίας ηλεκτροπληξίας.

- **Να αποφεύγετε την επαφή του σώματος με γειωμένες επιφάνειες, όπως σωλήνες, θερμάνσεις, εστίες κουζίνας και ψυγεία.**

Όταν το σώμα σας είναι γειωμένο, αυξάνεται ο κίνδυνος ηλεκτροπληξίας.

- **Μην εκθέτετε τη συσκευή σε βροχή ή υγρασία.**

Όταν διεισδύσει νερό σε μία ηλεκτρική συσκευή, αυξάνεται ο κίνδυνος ηλεκτροπληξίας.

- **Μην χρησιμοποιείτε το καλώδιο για σκοπό για τον οποίο δεν προορίζεται, δηλαδή για να κρατάτε τη συσκευή από το καλώδιο ή για να τραβήξετε το φως από τη πρίζα.**

Να προφυλάσσετε το καλώδιο από υψηλές θερμοκρασίες, λάδι, αιχμηρές γωνίες ή από κινούμενα τμήματα της συσκευής. Ελαττωματικά ή μπερδεμένα καλώδια αυξάνουν τον κίνδυνο μίας ηλεκτροπληξίας.

- **Εάν εργάζεστε με ηλεκτρική συσκευή στο ύπαιθρο, να χρησιμοποιείτε μόνο μπαλαντέζες που είναι κατάλληλε και για τη χρήση στο ύπαιθρο.**

Με τη χρήση μπαλαντέζα: κατάλληλης για χρήση στο ύπαιθρο μειώνετε τον κίνδυνο ηλεκτροπληξίας.

- **Εάν δεν μπορείτε να αποφύγετε τη λειτουργία ηλεκτρικών συσκευών σε**

υγρό περιβάλλον, να χρησιμοποιείτε διακόπτη ασφαλείας.

Η χρήση ενός διακόπτη ασφαλείας μειώνει τον κίνδυνο ηλεκτροπληξίας.

3. ΑΣΦΑΛΕΙΑ ΠΡΟΣΩΠΩΝ

- **Να είστε προσεκτικοί και να προσέχετε καλά, τι κάνετε. Να χρησιμοποιείτε συνετά την ηλεκτρική σας συσκευή.**
Μη χρησιμοποιείτε τη συσκευή όταν είστε κουρασμένοι ή υπό την επιρροή ναρκωτικών, αλκοολούχων ποτών ή φαρμάκων. Μόνο μία στιγμιαία απροσεξία κατά τη χρήση της ηλεκτρικής σας συσκευής, μπορεί να έχει σαν συνέπεια σοβαρούς τραυματισμούς.
- **Να φοράτε τον ατομικό σας προστατευτικό εξοπλισμό και πάντα προστατευτικά γυαλιά.**
Η χρήση προσωπικού προστατευτικού εξοπλισμού όπως μάσκα κατά της σκόνης, αντιολισθητικά υποδήματα ασφαλείας, προστατευτικό κράνος ή ωτοπροστασία μειώνουν, ανάλογα με τη χρήση της ηλεκτρικής σας συσκευής, τον κίνδυνο τραυματισμών.
- **Να αποφεύγετε αθέλητη θέση σε λειτουργία. Σιγουρευτείτε πως το ηλεκτρικό εργαλείο είναι απενεργοποιημένο πριν το συνδέσετε με την παροχή ρεύματος και/ή συνδέσετε το συσσωρευτή, πριν το σηκώσετε και πριν το μεταφέρετε.**
Σιγουρευτείτε πως ο διακόπτης βρίσκεται στη θέση AUS (σβησμένος), προτού βάλετε το φισ στη πρίζα. Όταν έχετε το δάκτυλό σας στο διακόπτη όταν μεταφέρετε τη συσκευή ή εάν η συσκευή είναι αναμμένη όταν τη συνδέετε με την παροχή του ρεύματος, δεν αποκλείονται τραυματισμοί.
- **Προτού ανάψετε τη συσκευή να απομακρύνετε τα εργαλεία ρύθμισης ή τα κλειδιά.**
Εργαλεία ρύθμισης ή κλειδιά που βρίσκονται σε ένα περιστρεφόμενο τμήμα της συσκευής, μπορούν να έχουν τραυματισμούς σαν συνέπεια.
- **Να αποφεύγετε τη μη φυσιολογική στάση του σώματος. Φροντίστε να**

στέκεστε σταθερά και να κρατάτε πάντα την ισορροπία σας.

Με τον τρόπο αυτό έχετε τη δυνατότητα να ελέγχετε τη συσκευή καλύτερα σε ανεπάντεχες περιστάσεις.

- **Να φοράτε κατάλληλα ρούχα. Μη φοράτε πολύ φαρδιά ρούχα ή κοσμήματα.**
Τα μαλλιά σας, τα ρούχα σας και τα γάντια να βρίσκονται πάντα μακριά από περιστρεφόμενα τμήματα. Φαρδιά ρούχα, κοσμήματα ή μακριά μαλλιά μπορούν να πιαστούν από κινούμενα τμήματα της συσκευής.
 - **Εάν είναι δυνατόν να συνδεθούν στη συσκευή συστήματα αναρρόφησης σκόνης και περισυλλογής της σκόνης, σιγουρευθείτε, πως είναι σωστά συνδεδεμένα και μπορούν να χρησιμοποιηθούν κατά τον ορθό τρόπο.**
Η χρήση συστήματος αναρρόφησης της σκόνης μπορεί να μειώσει κινδύνους από σκόνη.
- ### 4. Χρήση και χειρισμός του ηλεκτρικού εργαλείου
- **Μην υπερφορτώνετε τα ηλεκτρικά σας εργαλεία.**
Να χρησιμοποιείτε για την εργασία σας πάντα τη συσκευή που είναι κατάλληλη. Με την κατάλληλη συσκευή εργάζεστε καλύτερα και ασφαλέστερα στο αναφερόμενο πεδίο ισχύος.
 - **Μη χρησιμοποιείτε ηλεκτρικές συσκευές, ο διακόπτης των οποίων είναι ελαττωματικός.**
Ένα ηλεκτρικό εργαλείο που δεν μπορείτε να το ανάψετε ή να το σβήσετε είναι επικίνδυνο και πρέπει να επισκευαστεί.
 - **Βγάλτε το βύσμα από την πρίζα και/ή αφαιρέστε το συσσωρευτή προτού κάνετε τις ρυθμίσεις στη συσκευή, πριν αλλάξετε εξαρτήματα ή πριν ακουμπήσετε κάπου τη συσκευή.**
Με αυτό το μέτρο ασφαλείας αποφεύγετε μία αθέλητη εκκίνηση της συσκευής.
 - **Να φυλάγετε μη χρησιμοποιούμενα εργαλεία μακριά από παιδιά. Μη αφήνετε άλλα πρόσωπα που δεν είναι ιεξοικειωμένα με τη συσκευή, ή που δεν**

έχουν διαβάσει τις Οδηγίες, να την χρησιμοποιήσουν.

Οι ηλεκτρικές συσκευές είναι επικίνδυνες, όταν χρησιμοποιούνται από μη πεπειραμένα άτομα.

- **Να περιποήστε προσεκτικά τα εργαλεία σας. Να ελέγχετε τακτικά εάν κινούνται ελεύθερα τα κινούμενα τμήματα και εάν δεν μπλοκάρουν, εάν έχουν σπάσει εξαρτήματα, εάν παρεμποδίζεται η λειτουργία της συσκευής.**

Πριν τη χρήση να δώσετε τη συσκευή για να επισκευαστούν τα ελαττωματικά εξαρτήματα.

- **Να κρατάτε τα κοπτικά εργαλεία καθαρά και ακονισμένα.**

Προσεκτικά περιποιημένα εργαλεία κοπής με ακονισμένες άκρες κοπής μπλοκάρουν λιγότερο και οδηγούνται πιο εύκολα.

- **Να χρησιμοποιείτε τα ηλεκτρικά εργαλεία, τα εξαρτήματά τους κλπ. μόνο σύμφωνα με αυτές τις οδηγίες. Να λάβετε υπόψη σας τις συνθήκες εργασίας και το είδος της εργασίας σας.**

σύμφωνα με τις Οδηγίες αυτές και ακριβώς έτσι όπως προδιαγράφεται για τον ειδικό τύπο της συσκευής. Να λάβετε υπόψη σας τις συνθήκες εργασίας και την εργασία που πρέπει να εκτελέσετε. Η χρήση ηλεκτρικών εργαλείων για άλλο σκοπό από αυτόν για τον οποίο προορίζονται, μπορεί να έχει σοβαρές συνέπειες.

5. Χρήση και χειρισμός του εργαλείου μπαταρίας

- **Να φορτίζετε τους συσσωρευτές μόνο σε συσκευές φόρτισης που συνιστώνται από τον κατασκευαστή.** Για μία συσκευή φόρτισης που προορίζεται για ορισμένο είδος συσσωρευτών, υφίσταται κίνδυνος πυρκαγιάς εάν χρησιμοποιηθεί με άλλους συσσωρευτές.
- **Να χρησιμοποιείτε μόνο τους σωστούς συσσωρευτές στις ηλεκτρικές συσκευές.** Η χρήση άλλων συσσωρευτών μπορεί να προκαλέσει ατυχήματα και

κίνδυνο πυρκαγιάς.

- **Το συσσωρευτή που δεν χρησιμοποιείται να τον κρατάτε μακριά από συνδετήρες, κέρματα, κλειδιά, καρφιά, βίδες ή άλλα μεταλλικά μικροαντικείμενα που θα μπορούσαν να προκαλέσουν γεφύρωση των επαφών.** Ένα βραχυκύκλωμα μεταξύ των επαφών των συσσωρευτών μπορεί να έχει σαν συνέπεια εγκαύματα ή πυρκαγιά.
- **Σε περίπτωση λάθους χρήσης μπορεί να εξέλθει υγρό από το συσσωρευτή. Να αποφεύγετε την επαφή μαζί του. Σε περίπτωση τυχαίας επαφής να ξεπλύνετε με νερό. Εάν το υγρό εισέλθει στα μάτια, να συμβουλευθείτε επιπροσθέτως και ένα γιατρό.** Το εξερχόμενο υγρό μπορεί να προκαλέσει δερματικούς ερεθισμούς ή εγκαύματα.

6. Σέρβις

- **Αφήστε να επισκευαστεί η συσκευή σας μόνο από ειδικευμένο προσωπικό και να σιγουρευθείτε πως θα χρησιμοποιηθούν μόνο γνήσια ανταλλακτικά.**

Να κρατάτε τη συσκευή μόνο στις μονωμένες λαβές όταν εκτελείτε εργασίες στις οποίες η βίδα ή το χρησιμοποιούμενο εργαλείο θα μπορούσε να κτυπήσει επάνω σε κρυφά καλώδια ηλεκτρικού ρεύματος. Η επαφή με αγωγό ρεύματος μπορεί να θέσει και τα μεταλλικά τμήματα της συσκευής υπό τάση και προκαλεί ηλεκτροπληξία.

Ειδικές Υποδείξεις ασφαλείας

Προσέχουμε ιδιαίτερα την κατασκευή κάθε μπαταρίας, έτσι ώστε να παραδίδουμε στους πελάτες μας πάντα μπαταρίες με μέγιστη ενεργειακή πυκνότητα ροής, μεγάλη διάρκεια ζωής και ασφάλεια. Τα κύτταρα μπαταριών διαθέτουν περισσότερα συστήματα ασφαλείας. Κάθε κύτταρο διαμορφώνεται και κατόπιν καταγράφονται τα ηλεκτρικά χαρακτηριστικά. Αυτά τα στοιχεία χρησιμοποιούνται έπειτα για την καλύτερη

ομαδοποίηση της μπαταρίας. **Παρ' όλα τα μέτρα ασφαλείας πρέπει να προσέχετε ιδιαίτερα κατά τον χειρισμό των μπαταριών. Για την ασφαλή χρήση πρέπει οπωσδήποτε να προσέξετε τα εξής. Μία ασφαλής λειτουργία είναι δυνατή μόνο με ακέραια κύτταρα χωρίς ζημιές! Ένας λάθος χειρισμός έχει σαν συνέπεια την ζημιά στα κύτταρα**

Προσοχή! Από αναλύσεις επιβεβαιώνεται ως κακή χρήση και εσφαλμένη περιποίηση αποτελούν την βασική αιτία για ζημιές των συσσωρευτών υψηλής ισχύος.

Υποδείξεις για τη μπαταρία

- Η μπαταρία της συσκευής δεν είναι φορτισμένη κατά την παράδοση της συσκευής. Πριν την πρώτη χρήση πρέπει λοιπόν να φορτιστεί η μπαταρία. Να φορτίζετε συχνά τη μπαταρία σας.
- Συνιστάται η αποθήκευση της μπαταρίας σε δροσερό χώρο σε 15°C και τουλάχιστον κατά 40% φορτισμένη.
- Οι μπαταρίες με ιόντα λιθίου υπόκεινται σε φυσιολογική γήρανση.
- Το αργότερο όταν η απόδοση της μπαταρίας ανταποκρίνεται μόν στα 80% της αρχικής, πρέπει να αντικατασταθεί. Τα αδυνατισμένα κύτταρα σε γηρασμένη μπαταρία δεν μπορούν πλέον να ανταποκριθούν στις ψηλές απαιτήσεις και αποτελούν κίνδυνο.
- Ποτέ μην πετάτε παλιές μπαταρίες σε φωτιά. Κίνδυνος έκρηξης!
- Μην καίγετε μία μπαταρία ή μην την εκθέτετε σε καύση.
- **Μην εκφορτίζετε βαθιά τις μπαταρίες!** Η βαθιά εκφόρτιση ζημιώνει τα κύτταρα. Η συχνότερη αιτία για την βαθιά εκφόρτιση είναι ο μακρύς χρόνος αποθήκευσης ή μη χρήση βαθιά εκφορτισμένων μπαταριών. Να τερματίσετε την εργασία σας μόλις μειωθεί αισθητά η ισχύς ή ανταποκριθεί το ηλεκτρονικό σύστημα προστασίας. Να αποθηκεύετε τη μπαταρία μόνο μετά από πλήρη φόρτιση.
- **Να προστατεύετε τις μπαταρίες ή τη συσκευή από υπερφόρτωση!** Μία υπερφόρτωση οδηγεί γρήγορα σε

υπερθέρμανση και ζημιά των κυττάρων στο εσωτερικό του περιβλήματος της μπαταρίας, χωρίς να γίνει εξωτερικά αισθητή η υπερθέρμανση.

- **Να αποφεύγετε ζημιές και κρούσεις!** Να αντικαθίσταται αμέσως μία μπαταρία που σας έπεσε από ύψος πάνω του μέτρου ή που εκτέθηκε σε δυνατές κρούσεις, ακόμη και αν το περίβλημα φαίνεται ακέραιο. Τα κύτταρα στο εσωτερικό μπορεί να έχουν πάθει σοβαρή ζημιά. Προσέξτε τις υποδείξεις απόρριψης.
- Σε περίπτωση υπερφόρτωσης ή υπερθέρμανσης το ενσωματωμένο σύστημα ασφαλείας απενεργοποιεί τη συσκευή για λόγους ασφαλείας. **Προσοχή!** Μην χειριστείτε πλέον τον διακόπτη ενεργοποίησης/απενεργοποίησης όταν απενεργοποιήθηκε η συσκευή από το σύστημα ασφαλείας. Αυτό θα μπορούσε να προκαλέσει βλάβη του συσσωρευτή.
- Να χρησιμοποιείτε μόνο γνήσιες μπαταρίες. Η χρήση άλλων μπαταριών μπορεί να προκαλέσει τραυματισμούς, έκρηξη και κίνδυνο πυρκαγιάς.

Υποδείξεις για το φορτιστή και τη φόρτιση

- Μη χρησιμοποιείτε το συμπαραδιδόμενο φορτιστή για τη φόρτιση μη επαναφορτιζόμενων μπαταριών.
- Προσέξτε τα στοιχεία που αναφέρονται στην πινακίδα του φορτιστικού. Να συνδέετε τη συσκευή μόνο στην τάση δικτύου που αναφέρεται στην πινακίδα με τα στοιχεία της συσκευής.
- Να προστατεύετε το φορτιστικό και τον αγωγό από ζημιές και αιχμηρές γωνίες. Να αντικατασταθούν αμέσως από ηλεκτρολόγο τα ελαττωματικά καλώδια.
- Αυτός ο φορτιστής δεν προορίζεται για άτομα (συμπεριλαμβανομένων και παιδιών) με περιορισμένες σωματικές, αισθητικές ή πνευματικές ικανότητες ή ελλείπει πείρας ή/και ελλείπει γνώσεων, εκτός εάν επιτηρούνται από άτομο αρμόδιο για την ασφάλεια ή εάν έλαβαν οδηγίες για το πώς πρέπει να χρησιμοποιηθεί η συσκευή.

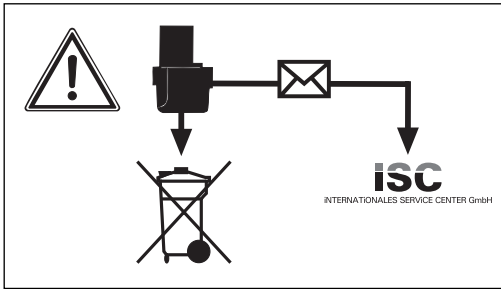
GR/
CY

- Τα παιδιά να επιβλέπονται για να είναι σίγουρο πως δεν παίζουν με τη συσκευή.
- Μη χρησιμοποιείτε ελαττωματικούς φορτιστές.
- Μη χρησιμοποιείτε το συμπαριδόμενο φορτιστή για τη φόρτιση άλλων συσκευών.
- Σε περίπτωση εντατικής καταπόνησης θερμαίνεται η μπαταρία. Πριν την αρχή της φόρτισης αφήστε τη μπαταρία να πάρει τη θερμοκρασία δωματίου.
- **Μην υπερφορτίζετε τις μπαταρίες!** Προσέξτε τους μέγιστους χρόνους φόρτισης. Αυτοί οι χρόνοι ισχύουν μόνο για εκφορτισμένες μπαταρίες. Επανειλημμένη τοποθέτηση μίας φορτισμένης ή μερικώς φορτισμένης μπαταρίας συνεπάγεται την υπερφόρτιση και ζημιά των κυττάρων. Μην αφήνετε τις μπαταρίες περισσότερες ημέρες στο φορτιστή.
- **Ποτέ μη χρησιμοποιείτε και μη φορτίζετε μπαταρίες για τις οποίες υποψιάζεστε πως η τελευταία φόρτιση έγινε πριν από 12 μήνες.** Η πιθανότητα είναι μεγάλη να έχει πάθει η μπαταρία ήδη σοβαρή ζημιά (βαθιά εκφόρτιση).
- Η φόρτιση σε θερμοκρασία κάτω των 10°C οδηγεί σε χημική ζημιά της μπαταρίας και ενδεχομένως σε πυρκαγιά.
- Μη χρησιμοποιείτε μπαταρίες που ζεστάθηκαν κατά τη διάρκεια της φόρτισης διότι τα κύτταρα μπορεί να έχουν υποστεί επικίνδυνη ζημιά.
- Μη χρησιμοποιείτε πλέον μπαταρίες που παραμορφώθηκαν κατά τη διάρκεια της φόρτισης ή που παρουσίασαν άλλα ασυνήθιστα συμπτώματα (αέρια, θορύβους, ...)
- Μην εκφορτίζετε πλήρως τη μπαταρία σας (συνιστώμενο βάθος εκφόρτισης μάξιμουμ 80%). Η πλήρης εκφόρτιση συνεπάγεται την πρόωρη γήρανση των κυττάρων της μπαταρίας.
- Ποτέ μην φορτίζετε τις μπαταρίες χωρίς επιτήρηση!

Προστασία από περιβαλλοντολογικές επιδράσεις

- Να φοράτε πάντα τον κατάλληλο ρουχισμό εργασίας. Να φοράτε προστατευτικά γυαλιά.
- **Να προστατεύετε τη συσκευή σας και το φορτιστή από υγρασία και βροχή.** Η υγρασία και η βροχή μπορεί να οδηγήσουν σε επικίνδυνη ζημιά των κυττάρων.
- Μη χρησιμοποιείτε τη συσκευή και το φορτιστή κοντά σε ατμούς και εύφλεκτα υγρά.
- Να χρησιμοποιείτε το φορτιστή και τη συσκευή μόνο σε στεγνή κατάσταση και σε θερμοκρασία περιβάλλοντος 10 – 40°C.
- Μη φυλάγετε τη μπαταρία σε μέρος όπου η θερμοκρασία μπορεί να υπερβεί τους 40°C, ιδιαίτερα όχι σε αυτοκίνητο σταθμευμένο στον ήλιο.
- **Να προστατεύετε τις μπαταρίες από υπερθέρμανση!** Υπερφόρτωση, υπερφόρτιση ή ηλιακή ακτινοβολία οδηγεί σε υπερθέρμανση και βλάβη των κυττάρων. Μην φορτίζετε ποτέ και μην εργάζεστε με μπαταρίες που υπερθερμάνθηκαν – να αντικαθίστανται αμέσως.
- **Διατήρηση μπαταριών, φορτιστή και συσκευής μπαταρίας.** Να φυλάγετε τον φορτιστή και τη συσκευή σας που λειτουργεί με μπαταρία μόνο σε στεγνούς χώρους με θερμοκρασία περιβάλλοντος 10-40°C. Να φυλάγετε την μπαταρία σας σε δροσερό και στεγνό χώρο σε 10-20°C. Να προστατεύεται από υγρασία αέρα και άμεση ηλιακή ακτινοβολία! Να αποθηκεύετε τις μπαταρίες μόνο σε φορτισμένη κατάσταση (τουλάχιστον 40% φορτισμένη)
- Δεν επιτρέπεται η έκθεση της μπαταρίας ιόντων λιθίου σε θερμοκρασίες υπό το μηδέν. Οι μπαταρίες που αποθηκεύθηκαν πάνω από 60 λεπτά σε θερμοκρασίες κάτω από 0°C, πρέπει να απορριφθούν.
- Προσοχή με το χειρισμό των μπαταριών σε σχέση με ηλεκτροστατική φόρτιση: η ηλεκτροστατική προκαλεί ζημιές στο ηλεκτρονικό σύστημα προστασίας και στα κύτταρα της μπαταρίας! Για το λόγο αυτό να αποφεύγετε την ηλεκτροστατική

φόρτιση και ποτέ να μην αγγίζετε τους πόλους της μπαταρίας!



Οι συσσωρευτές και οι ηλεκτρικές συσκευές που λειτουργούν με μπαταρίες, περιέχουν υλικά επικίνδυνα για το περιβάλλον. Μην πετάτε στα οικιακά απορρίμματα τις συσκευές με μπαταρίες. Αφού διαπιστώσετε ελλείψιμο ή φθορά, αφαιρέστε τη μπαταρία και στείλτε τη συσκευή προς την iSC GmbH, Eschenstraße 6, D-94405 Landau, ή, εάν δεν χωρίζεται η μπαταρία από τη συσκευή, στείλτε ολόκληρη τη συσκευή με την μπαταρία της. Μόνο εκεί είναι εγγυημένη η σωστή απόσυρσή τους.

Κατά την αποστολή ή απόρριψη μπαταριών ή συσκευών μπαταρίας προσέξτε να μπου χωριστά σε πλαστικές σακούλες ώστε να αποφευχθεί ένα βραχυκύκλωμα ή πυρκαγιά!

Να φυλάξετε καλά αυτές τις Οδηγίες χρήσης.

3. Περιγραφή της συσκευής (εικ. 1)

1. Υποδοχή bit
2. Φως LED
3. Δακτύλιος μανταλώματος
4. Διακόπτης ενεργοποίησης/απενεργοποίησης Λάμπα
5. Ένδειξη δυναμικότητας μπαταρίας
6. Διακόπτης ένδειξης δυναμικότητας μπαταρίας
7. Λυχνία ελέγχου φόρτισης
8. Σύνδεση φόρτισης
9. Διακόπτης ενεργοποίησης/απενεργοποίησης
10. Διακόπτης αλλαγής αριστερόστροφης/δεξιόστροφης λειτουργίας
11. Φορτιστής
12. Καλώδιο φόρτισης:
13. Ρύθμιση ροπής στρέψης
14. Δακτύλιος μανταλώματος

4. Συμπαραδιδόμενα

Αφαιρέστε όλα τα τμήματα από τη συσκευασία και ελέγξτε τη συσκευή για πληρότητα.

- Κατσαβίδι μπαταρίας PASS 3,6 A1
- Φορτιστής
- 26 bits
- Υποδοχή bit
- Βαλίτσα
- Οδηγίες χρήσης

5. Ενδεδειγμένη χρήση

Το κατσαβίδι μπαταρίας είναι κατάλληλο για βίδωμα και ξεβίδωμα βιδών.

Η μηχανή να χρησιμοποιείται μόνο για το σκοπό για τον οποίο προορίζεται. Κάθε πέραν τούτου χρήση δεν είναι ενδεδειγμένη. Για ζημιές ή τραυματισμούς παντός είδους που οφείλονται σε μη ενδεδειγμένη χρήση ευθύνεται ο χρήστης / χειριστής και όχι ο

GR/
CY

κατασκευαστής.

Παρακαλούμε να προσέξετε, πως οι συσκευές μας δεν έχουν κατασκευαστεί για επαγγελματική, βιοτεχνική και βιομηχανική χρήση. Δεν αναλαμβάνουμε καμία εγγύηση, εάν η συσκευή χρησιμοποιηθεί σε βιοτεχνίες ή βιομηχανίες ή σε παρόμοιες εργασίες.

6. Τεχνικά χαρακτηριστικά

Τροφοδοσία τάσης κινητήρα:	3,6 V d.c.
Αριθμός στροφών ραλεντί:	200 min ⁻¹
Δεξιόστροφη-αριστερόστροφη λειτουργία:	ναι
Τάση εξόδου φορτιστή:	6,8 V d.c.
Ρεύμα εξόδου φορτιστή:	550 mA
Τάση δικτύου φορτιστή:	230V~ 50 Hz
Διάρκεια φόρτισης:	το ανώτερο σε περ. 3 ώρες.
Τύπος συσσωρευτή:	λιθίου-ιόντος/1,5 Ah
Βάρος:	0,4 kg
Κλάση LED	1

Θόρυβος και δόνηση

Ο θόρυβος και οι δονήσεις μετρήθηκαν σύμφωνα με το πρότυπο EN 60745.

Στάθμη ηχητικής πίεσης L _{PA}	62 dB(A)
Αβεβαιότητα K _{PA}	3 dB
Στάθμη ακουστικής ισχύος L _{WA} :	73 dB(A)
Αβεβαιότητα K _{WA}	3 dB

Να χρησιμοποιείτε ηχοπροστασία

Η επίδραση του θορύβου μπορεί να προκαλέσει την απώλεια της ακοής.

Συνολική τιμή δονήσεων (άθροισμα διανύσματος τριών κατευθύνσεων) διαπιστωθείσα σύμφωνα με EN 60745.

Βίδωμα χωρίς κρούση

Εκπομπή δονήσεων a_h ≤ 2,5 m/s²

Αβεβαιότητα K = 1,5 m/s²

Προσοχή!

Η αναφερόμενη τιμή μετάδοσης δόνησης μετρήθηκε βάσει τυποποιημένης μεθόδου ελέγχου και μπορεί να μεταβληθεί ή και σε εξαιρετικές περιπτώσεις να κυμαίνεται άνω της αναφερόμενης τιμής, ανάλογα από τον τρόπο χρήσης του ηλεκτρικού εργαλείου.

Η αναφερόμενη μετάδοση δονήσεων μπορεί να χρησιμοποιηθεί και για σύγκριση με άλλο ηλεκτρικό εργαλείο.

Η αναφερόμενη τιμή μετάδοσης δόνησης μπορεί επίσης να χρησιμοποιηθεί και για αρχική εκτίμηση της έκθεσης.

Περιορίστε την δημιουργία θορύβου και τις δονήσεις στο ελάχιστο!

- Να χρησιμοποιείτε μόνο συσκευές σε άψογη κατάσταση.
- Να συντηρείτε και να καθαρίζετε τακτικά τη συσκευή.
- Να προσαρμόζετε στη συσκευή τον τρόπο εργασίας σας.
- Προσέξτε να μην υπερφορτώνετε τη συσκευή.
- Αφήστε τη συσκευή νδεχομένως να ελεγχθεί από ειδικό τεχνίτη.
- Να απενεργοποιείτε τη συσκευή όταν δεν την χρησιμοποιείτε.
- Να φοράτε γάντια.

7. Πριν τη θέση σε λειτουργία

⚠ Προσοχή!

Πριν τη θέση σε λειτουργία του καταβιδιού μπαταρίας σας να διαβάσετε οπωσδήποτε αυτές τις υποδείξεις:

1. Να φορτίζετε τη μονάδα του συσσωρευτή με τον συμπαραδιδόμενο φορτιστή (11).
2. Να χρησιμοποιείτε μόνο κατάλληλες καταβιδόλαμες σε άψογη κατάσταση.
3. Όταν βιδώνετε σε εσωτερικούς και εξωτερικούς τοίχους να ελέγχετε για

ενδεχόμενους αγωγούς ρεύματος, αερίου και νερού.

8. Χειρισμός

8.1 Φόρτιση του συσσωρευτή (εικ. 1)

Ο συσσωρευτής προστατεύεται κατά βαθιάς εκκένωσης. Μία ενσωματωμένη ασφάλεια απενεργοποιεί τη συσκευή, όταν εκκενωθεί ο συσσωρευτής. Η υποδοχή bit (1) δεν περιστρέφεται πλέον στην περίπτωση αυτή.

⚠ Προσοχή!

Μη χειρίζεστε πλέον τον διακόπτη ενεργοποίησης/απενεργοποίησης (9) όταν η ασφάλεια απενεργοποίησε τη συσκευή. Αυτό μπορεί να καταστρέψει το συσσωρευτή.

1. Συγκρίνετε εάν συμφωνεί η τάση που αναφέρεται στην ετικέτα στοιχείων της συσκευής με την τάση δικτύου σας. Βάλτε το φορτιστή (11) στην πρίζα και συνδέστε το καλώδιο φόρτισης (12) με τη σύνδεση φόρτισης (8). Η φόρτιση αρχίζει μόλις συνδεθεί το καλώδιο φόρτισης με τη σύνδεση φόρτισης.
2. Η λάμπα ελέγχου (7) δείχνει πως ο συσσωρευτής φορτίζεται.
3. Μετά την περάτωση της φόρτισης σβήνει η λυχνία ελέγχου της φόρτισης (7).

⚠ Προσοχή!

Κατά τη διάρκεια της φόρτισης μπορεί να ζεσταθεί λίγο η χειρολαβή, πράγμα φυσιολογικό.

Εάν δεν είναι δυνατή η φόρτιση της μπαταρίας, παρακαλούμε να ελέγξετε

- εάν υπάρχει τάση στην πρίζα.
- εάν υπάρχει άψογη επαφή στις επαφές φόρτισης του φορτιστή (11).

Εάν δεν είναι δυνατή η φόρτιση του συσσωρευτή, παρακαλούμε να ελέγξετε

- το φορτιστή (11)
- και το κατσαβίδι

στο τμήμα αμς εξυπηρέτησης πελατών.

Προς εξασφάλιση μακράς διάρκειας ζωής του συσσωρευτή να φροντίσετε για έγκαιρη επαναφόρτιση της μονάδας του συσσωρευτή. Αυτό είναι οπωσδήποτε απαραίτητο όταν διαπιστώσετε πως μειώνεται η ισχύς του κατσαβιδιού με μπαταρία.

8.2 Διακόπτης αλλαγής κατεύθυνσης αριστερά / δεξιά (εικ. 2/αρ. 10)

Με το διακόπτη αλλαγής κατεύθυνσης αριστερά/δεξιά (10) πάνω από το διακόπτη ενεργοποίησης/απενεργοποίησης (9) μπορείτε να ρυθμίσετε την κατεύθυνση του κατσαβιδιού μπαταρίας και να το ασφαλίσετε κατά αθέλητης εκκίνησης. Μπορείτε να επιλέξετε μεταξύ δεξιόστροφης και αριστερόστροφης κίνησης.

⚠ Προσοχή!

Προς αποφυγή βλάβης του κιβωτίου ταχυτήτων, η αλλαγή ταχυτήτων να γίνεται μόνο στην ακινητοποίηση. Εάν ο διακόπτης αλλαγής κατεύθυνσης αριστερά / δεξιά (10) βρίσκεται στη μεσαία θέση, είναι μπλοκαρισμένος ο διακόπτης ενεργοποίησης / απενεργοποίησης (9).

Κατεύθυνση κίνησης
δεξιά κατεύθυνση
αριστερή κατεύθυνση

Θέση διακόπτη
„R“ πιεσμένο
„L“ πιεσμένο

8.3 Διακόπτης ενεργοποίησης / απενεργοποίησης (εικ. 2/αρ. 9)

Πιέστε για την ενεργοποίηση του κατσαβιδιού μπαταρίας τον διακόπτη ενεργοποίησης/απενεργοποίησης (9). Για να σταματήσετε, αφήστε πάλι ελεύθερο το διακόπτη ενεργοποίησης/απενεργοποίησης.

8.4 Φως LED (εικ. 1/αρ. 2)

Το φως LED (2) κάνει δυνατό το φωτισμό το σημείου βιδώματος σε όχι ευνοϊκές συνθήκες φωτισμού. Για τη σύνδεση πιέστε τον διακόπτη ενεργοποίησης/απενεργοποίησης (4), για την αποσύνδεση επαναπιέστε τον διακόπτη (4).

GR/
CY**8.5 Σπρώξτε την πρόσθετη χειρολαβή (εικ. 1,2/αρ. 3)**

Ο βιδωτήρας μπορεί να ασφαλιστεί σε 2 διαφορετικές ρυθμίσεις της χειρολαβής. Για το σκοπό αυτό πρέπει να πιεστεί το πλήκτρο ασφάλισης (3) και να φερθεί ο βιδωτήρας στην επιθυμούμενη θέση. Κατόπιν αφήστε πάλι ελεύθερο το πλήκτρο ασφάλισης (3).

⚠ Προσοχή!

Πριν τη θέση σε λειτουργία ελέγξτε εάν ο βιδωτήρας έχει ασφαλιστεί στην εκάστοτε σωστή θέση.

8.6 Ένδειξη δυναμικότητας του συσσωρευτή (εικ. 4/αρ. 5)

Πιέστε τον διακόπτη για την ένδειξη δυναμικότητας του συσσωρευτή (6). Η ένδειξη δυναμικότητας του συσσωρευτή (5) σας δείχνει την κατάσταση φόρτισης του συσσωρευτή με 3 χρωματιστές LED.

Είναι αναμμένες όλες οι LED:

Ο συσσωρευτής είναι πλήρως φορτισμένος.

Είναι αναμμένες ή κόκκινη και η πράσινη LED:

Ο συσσωρευτής διαθέτει αρκετή υπόλοιπη φόρτιση.

Κόκκινη LED:

Ο συσσωρευτής είναι κενός, φορτίστε το συσσωρευτή.

8.7 Αλλαγή εργαλείων (εικ. 5)**⚠ Προσοχή!**

Σε όλες τις εργασίες (π.χ. αλλαγή εργαλείου, συντήρηση κλπ.) στο κατσαβίδι μπαταρίας να βάζετε τον διακόπτη αλλαγής κατεύθυνσης αριστερά / δεξιά (10) στη μεσαία θέση.

- Τραβήξτε προς τα πίσω το δακτύλιο μανδάλωσης (14) και κρατήστε τον.
- Βάλτε το bit (a) στην ανάλογη υποδοχή (1), αφήστε ελεύθερο το καπάκι μανδαλώματος (14).
- Ελέγξτε την ασφάλιση με τράβηγμα του εργαλείου.
- Για την αφαίρεση του bit (a) τραβήξτε το καπάκι μανδαλώματος (14) προς τα πίσω και κρατήστε το.

- Αφαιρέστε το bit (a) και αφήστε ελεύθερο το καπάκι μανδαλώματος (14).

8.8 Ρύθμιση ροπής στρέψης (εικ. 1/αρ. 13)**⚠ Προσοχή!**

Η ροπή στρέψης να ρυθμίζεται μόνο στην ακινητοποιημένη συσκευή.

Το κατσαβίδι είναι εξοπλισμένο με αυτόματο σύστημα ρύθμισης της ροπής στρέψης.

Η ροπή στρέψης για ορισμένο μέγεθος βίδας ρυθμίζεται με το σύστημα ρύθμισης της ροπής στρέψης (13). Η απαιτούμενη ροή στρέψης εξαρτάται από περισσότερους παράγοντες.

- από το είδος και τη σκληρότητα του επεξεργαζόμενου υλικού.
- από το είδος και μήκος των χρησιμοποιούμενων βιδών.
- από τις απαιτήσεις για τον βιδωτό σύνδεσμο.

Η επίτευξη της επιθυμούμενης ροπής στρέψης υποδεικνύεται από το άνοιγμα της ζεύξης.

8.9 Βίδες

Να χρησιμοποιείτε καλύτερα βίδες με αυτοκεντράρισμα (π. χ. τορξ, στραυρόβιδες) που προσφέρουν ασφαλή εργασία. Να προσέχετε να συμφωνεί το χρησιμοποιούμενο bit και η βίδα ως προς το σχήμα και το μέγεθος.

8.10 Προστασία του βιδωτήρα

Σε περίπτωση υπερφόρωσης του βιδωτήρα, το σύστημα ασφαλείας απενεργοποιεί τη συσκευή. Μετά από μερικά δευτερόλεπτα μπορείτε να επαναχρησιμοποιήσετε τον βιδωτήρα.

9. Καθαρισμός, συντήρηση και παραγγελία ανταλλακτικών

⚠ Προσοχή!

Πριν από τις εργασίες συναρμολόγησης / τοποθέτησης να βγάξετε το φινι από την πρίζα

9.1 Καθαρισμός

- Να κρατάτε όσο πιο ελεύθερα από σκόνη και ακαθαρσίες γίνεται τα συστήματα προστασίας, τις σχισμές εξαερισμού και το κέλυφος του μοτέρ. Σκουπίζετε τη συσκευή με ένα καθαρό πανί, ή καθαρίστε το με πεπεισμένο αέρα σε χαμηλή πίεση.
- Συνιστούμε να καθαρίζετε τη συσκευή αμέσως μετά από κάθε χρήση.
- Να καθαρίζετε τη συσκευή τακτικά με ένα νωπό πανί και λίγο μαλακό σαπούνι. Μη χρησιμοποιείτε καθαριστικά ή διαλύτες, γιατί δεν αποκλείεται να καταστρέψουν τα πλαστικά τμήματα της συσκευής. Προσέξτε να μην περάσει νερό στο εσωτερικό της συσκευής.

9.2 Συντήρηση

Στο εσωτερικό της συσκευής δεν υπάρχουν εξαρτήματα που χρειάζονται συντήρηση.

9.3 Παραγγελία ανταλλακτικών:

Κατά την παραγγελία ανταλλακτικών να αναφέρετε τα εξής:

- τον τύπο της συσκευής
 - τον αριθμό είδους της συσκευής
 - αριθμό ταύτισης της συσκευής
- Θα βρείτε τις ισχύουσες τιμές και πληροφορίες στην ιστοσελίδα www.isc-gmbh.info

10. Διάθεση στα απορρίμματα και επαναχρησιμοποίηση

Η συσκευή βρίσκεται σε μία συσκευασία προς αποφυγή ζημιών κατά τη μεταφορά Αυτή η συσκευασία αποτελείται από πρώτες ύλες και έτσι μπορεί να επαναχρησιμοποιηθεί ή να ανακυκλωθεί. Η συσκευή και τα εξαρτήματά της αποτελούνται από διάφορα υλικά, όπως π. μέταλλο και πλαστικά υλικά. Να παραδίσετε τα ελαττωματικά εξαρτήματα σε κέντρα συλλογής ειδικών απορριμμάτων. Ενημερωθείτε στα ειδικά καταστήματα ή στην διοίκηση της κοινότητας!



Μόνο για κράτη μέλη της Ε.Ε.

Μην πετάτε τα ηλεκτρικά εργαλεία στα οικιακά απορρίμματα!

Σύμφωνα με την ευρωπαϊκή Οδηγία 2002/96/Εκγια τις μεταχειρισμένες ηλεκτρικές και ηλεκτρονικές συσκευές και την μετατροπή τους σε εθνικό δίκαιο πρέπει να συλλέγονται χωριστά οι παλιές ηλεκτρικές συσκευές και να προσάγονται σε φιλική για το περιβάλλον μεταχείριση αποβλήτων.

Εναλλακτική λύση ανακύκλωσης:

Ο ιδιοκτήτης της ηλεκτρικής συσκευής υποχρεούται εάν δεν επιστρέψει τη συσκευή να φροντίσει για σωστή απόσυρσή της όταν δεν την χρειάζεται πλέον. Η παλιά συσκευή μπορεί να παραδοθεί σε υπηρεσίες συγκέντρωσης παλιών συσκευών προ απόσυρση, όπου εκτελείται η απόσυρση σύμφωνα με τους εθνικούς νόμους ανακύκλωσης και αποβλήτων. Δεν συμπεριλαμβάνονται τα μη ηλεκτρικά εξαρτήματα και αξεσουάρ των συσκευών.

GR/
CY

11. Δήλωση Συμμόρφωσης

Einhell Germany AG · Wiesenweg 22 · D-94405 Landau/Isar



Konformitätserklärung

- erklärt folgende Konformität gemäß EU-Richtlinie und Normen für Artikel
 explains the following conformity according to EU directives and norms for the following product
 déclare la conformité suivante selon la directive CE et les normes concernant l'article
 dichiara la seguente conformità secondo la direttiva UE e le norme per l'articolo
 verklaart de volgende overeenstemming conform EU richtlijn en normen voor het product
 declara la siguiente conformidad a tenor de la directiva y normas de la UE para el artículo
 declara a seguinte conformidade, de acordo com a directiva CE e normas para o artigo
 atterer følgende overensstemmelse i medfør af EU-direktiv samt standarder for artikel
 förklarar följande överensstämmelse enl. EU-direktiv och standarder för artikeln
 vakuuttaa, että tuote täyttää EU-direktiivin ja standardien vaatimukset
 tõendab toote vastavust EL direktiivile ja standarditele
 vydává následující prohlášení o shodě podle směrnice EU a norem pro výrobek
 potrjuje sledečo skladnost s smernico EU in standardi za izdelek
 vydáva nasledujúce prehlásenie o zhode podľa smernice EÚ a noriem pre výrobok
 a cikkekhez az EU-irányvonal és Normák szerint a következő konformitást jelenti ki
 deklaruje zgodność wymienionego poniżej artykułu z następującymi normami na podstawie dyrektywy WE.
 декларира съответното съответствие съгласно Директива на ЕС и норми за артикул
 paskaidro šādu atbilstību ES direktīvai un standartiem
 apibūdina šj atitikimą EU reikalavimams ir prekės normoms
 declară următoarea conformitate conform directivei UE și normelor pentru articolul
 δηλώνει την ακόλουθη συμμόρφωση σύμφωνα με την Οδηγία ΕΚ και τα πρότυπα για το προϊόν
 potvrđuje sljedeću usklađenost prema smjernicama EU i normama za artikl
 Izjava o sukladnosti za ovaj proizvod dostupna je na internet stranici www.lidl.hr.
 potvrđuje sljedeću usklađenost prema smjernicama EU i normama za artikl
 potvrđuje sledeću usklađenost prema smernicama EZ i normama za artikal
 следующим удостоверяется, что следующие продукты соответствуют директивам и нормам ЕС
 проголошує про зазначену нижче відповідність виробу директивам та стандартам ЄС на виріб
 Ürünü ile ilgili AB direktifleri ve normları gereğince aşağıda açıklanan uygunluğu belirtir
 erklærer følgende samsvar i henhold til EU-direktivet og standarder for artikkel
 Lýsir uppfyllingu EU-reglna og annarra staða vöru

Akkuschrauber PASS 3,6 A1 / Ladegerät LG PASS 3,6 A1 (Parkside)

- | | |
|---|--|
| <input type="checkbox"/> 87/404/EC_2009/105/EC | <input checked="" type="checkbox"/> 2006/42/EC |
| <input type="checkbox"/> 2005/32/EC_2009/125/EC | <input type="checkbox"/> Annex IV
Notified Body:
Notified Body No.:
Reg. No.: |
| <input type="checkbox"/> 2006/95/EC | |
| <input type="checkbox"/> 2006/28/EC | |
| <input checked="" type="checkbox"/> 2004/108/EC | <input type="checkbox"/> 2000/14/EC_2005/88/EC |
| <input type="checkbox"/> 2004/22/EC | <input type="checkbox"/> Annex V |
| <input type="checkbox"/> 1999/5/EC | <input type="checkbox"/> Annex VI
Noise: measured L_{WA} = dB (A); guaranteed L_{WA} = dB (A)
P = KW; L/Ø = cm
Notified Body: |
| <input type="checkbox"/> 97/23/EC | |
| <input type="checkbox"/> 90/396/EC_2009/142/EC | |
| <input type="checkbox"/> 89/686/EC_96/58/EC | <input type="checkbox"/> 2004/26/EC
Emission No.: |
| <input checked="" type="checkbox"/> 2011/65/EC | |

Standard references: EN 60745-1; EN 60745-2-2; EN 55014-1;
EN 55014-2; EN 60335-1; EN 60335-2-29; EN 61000-3-2; EN 61000-3-3

Landau/Isar, den 22.09.2011

Weichselgartner/General Manager

Unger/Product-Management

First CE: 08
Art.-No.: 45.134.26 I.-No.: 11031
Subject to change without notice

Archive-File/Record: NAPR004730
Documents registrar: Georg Riedel
Wiesenweg 22, D-94405 Landau/Isar

12. ΕΓΓΥΗΣΗ

Αξιότιμη πελάτισσα, αξιότιμε πελάτη,

Τα προϊόντα μας υπόκεινται σε αυστηρούς ελέγχους ποιότητας. Εάν παρ'όλα αυτά κάποτε δεν λειτουργήσουν άψογα, λυπούμαστε πολύ και σας παρακαλούμε να αποτανθείτε προς το τμήμαμας Εξυπηρέτησης Πελατών, στη διεύθυνση που αναφέρετε σε αυτή την εγγύηση. Ευχαρίστως σας βοηθήσουμε και τηλεφωνικώς στον αριθμό που αναφέρετε πιο κάτω. Για την κατίσχυση των αξιώσεων εγγύησης ισχύουν τα εξής:

1. Αυτοί οι όροι εγγύησης ρυθμίζουν πρόσθετες παροχές εγγύησης. Από την εγγύηση αυτή δεν θίγονται οι νόμιμες αξιώσεις σας για εγγύηση. Η παροχή της εγγύησής μας είναι για σας δωρεάν.
2. Η εγγύηση καλύπτει αποκλειστικά και μόνο βλάβες που οφείλονται σε ελαττώματα υλικών ή παραγωγής και περιορίζονται στην αποκατάσταση αυτών των ελαττωμάτων ή την αντικατάσταση της συσκευής. Παρακαλούμε να προσέξετε πως οι συσκευές μας δεν προορίζονται για τη βιομηχανία, τη βιοτεχνία και την επαγγελματική χρήση. Για το λόγο αυτό δεν υφίσταται σύμβαση εγγύησης σε περίπτωση χρήσης της συσκευής στη βιομηχανία, βιοτεχνία, για επαγγελματικό ή άλλο παρόμοιο σκοπό. Από την εγγύησή μας αποκλείονται πέραν τούτου αποζημιώσεις για βλάβες μεταφοράς, βλάβες οφειλόμενες σε μη τήρηση της Οδηγίας συναρμολόγησης, ή σε εσφαλμένη εγκατάσταση, μη τήρηση της Οδηγίας χρήσης (π.χ. σύνδεση σε λάθος τάση δικτύου ή είδος ρεύματος), καταχρηστική ή όχι ορθή χρήση (π.χ. υπερφόρτωση ή χρήση μη εγκεκριμένων ανταλλακτικών εργαλείων ή εξαρτημάτων), μη τήρηση των Υποδείξεων συντήρησης και ασφαλείας, είσοδος ξένων αντικειμένων στη συσκευή (όπως π.χ. άμμος ή σκόνη), χρήση βίας ή εξωτερική επίδραση (όπως π.χ. βλάβες από πτώση) καθώς και βλάβες που οφείλονται σε κοινή φθορά.

Η αξίωση εγγύησης εκπίπτει σε περίπτωση που έγιναν ήδη ξένες επεμβάσεις στη συσκευή.

3. Η διάρκεια της εγγύησης ανέρχεται σε 3 έτη και αρχίζει από την ημερομηνία αγοράς της συσκευής. Οι αξιώσεις εγγύησης πρέπει να κατισχυθούν πριν την πάροδο της προθεσμίας της εγγύησης εντός δύο εβδομάδων από την διαπίστωση του ελαττώματος. Αποκλείεται η κατίσχυση αξιώσεων εγγύησης μετά την πάροδο της προθεσμίας της εγγύησης. Η επισκευή ή η αντικατάσταση της συσκευής δεν συνεπάγεται ούτε την επέκταση της διάρκειας της εγγύησης ούτε την έναρξη νέας προθεσμίας εγγύησης για τη συσκευή ή τα ενδεχομένως τοποθετηθέντα εξαρτήματα. Το ίδιο ισχύει και σε περίπτωση σέρβις επί τόπου.
4. Για την κατίσχυση της αξίωσης της εγγύησης σας παρακαλούμε να μας αποστείλετε τη συσκευή, χωρίς επιβάρυνσή μας με ταχυδρομικά τέλη, στην πιο κάτω αναφερόμενη διεύθυνση. Μη ξεχάσετε να επισυνάψετε το πρωτότυπο της απόδειξης αγοράς ή άλλο ισχύον αποδεικτικό αγοράς. Για το λόγο αυτό σας παρακαλούμε να φυλάξετε καλά την απόδειξη του ταμείου! Παρακαλούμε επίσης να μας περιγράψετε την αιτία για την διαμαρτυρία σας όσο πιο αναλυτικά γίνεται. Εάν το ελάττωμα της συσκευής σας καλύπτεται από την εγγύησή μας, είτε θα σας επιστραφεί ταχύτατα η επισκευασμένη συσκευή σας, είτε θα λάβετε μία νέα συσκευή.

Φυσικά επισκευάζουμε ευχαρίστως έναντι αμοιβής και ελαττώματα στη συσκευή σας που δεν καλύπτονται ή δεν καλύπτονται πλέον από την εγγύηση. Για το σκοπό αυτό σας παρακαλούμε να αποστείλετε τη συσκευή σας στη διεύθυνση του τμήματος μας για Εξυπηρέτηση Πελατών.

EINHELL Hellas A. E.
Lasithiou Str. 4
14342 Nea Philadelphia
Tel. 0210 2776871 · Fax 0210 2776871



IAN: 71827 PASS 3.6 A1
Einhell Germany AG
Wiesenweg 22
D-94405 Landau/Isar

Last Information Update · Έκδοση των πληροφοριών : 11/2011
Ident.-No.: 45.134.26 112011 - GB IE CY

